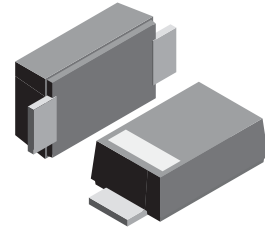


VOLTAGE RANGE: 3.0 - 200V
POWER: 1.3Watts

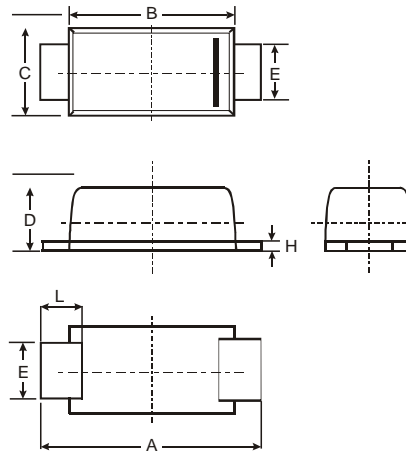
Features

- Complete Voltage Range 3.0 to 200 Volts
- High peak reverse power dissipation
- High reliability
- Low leakage current



Mechanical Data

- Case: SOD-123FL
plastic body over passivated junction
- Terminals : Plated axial leads,
- solderable per MIL-STD-750, Method 2026
- Polarity : Color band denotes cathode end
- Mounting Position : Any
- Weight:0.0007 ounce, 0.02 grams



SOD-123FL			
Dim	Min	Max	Typ
A	3.50	3.80	3.65
B	2.60	2.90	2.75
C	1.70	1.90	1.80
D	0.09	1.10	1.00
E	0.08	1.10	0.095
H	0.12	0.20	0.16
L	0.07	0.09	0.08
All Dimensions in mm			

Maximum Ratings @ T_A = 25°C unless otherwise specified

Rating	Symbol	Value	Unit
DC Power Dissipation at T _L = 50 °C (Note1)	P _D	1.3	W
Maximum Forward Voltage at I _F = 200 mA	V _F	1.2	V
Maximum Thermal Resistance Junction to Ambient Air (Note2)	R _{θJA}	130	K / W
Junction Temperature Range	T _J	- 65 to + 200	°C
Storage Temperature Range	T _{STG}	- 65 to + 200	°C

Notes :

- (1) T_L = Lead temperature at 3/8 " (9.5mm) from body
- (2) Valid provided that leads are kept at ambient temperature at a distance of 10 mm from case.



ELECTRICAL CHARACTERISTICS (Rating at 25 °C ambient temperature unless otherwise specified)

Type	Nominal Zener Voltage		Maximum Zener Impedance			Maximum Reverse Leakage Current		Maximum DC Zener Current
	$V_Z @ I_{ZT}$	I_{ZT}	$Z_{ZT} @ I_{ZT}$	$Z_{ZK} @ I_{ZK}$	I_{ZK}	$I_R @ V_R$		I_{ZM}
	(V)	(mA)	(Ω)	(Ω)	(mA)	(μ A)	(V)	(mA)
SMZ253A	3.0	80	20	400	1.0	100	1.0	340
SMZ253D	3.3	80	20	400	1.0	40	1.0	320
SMZ253G	3.6	70	20	500	1.0	20	1.0	290
SMZ253J	3.9	60	15	500	1.0	10	1.0	280
SMZ254D	4.3	50	13	500	1.0	3.0	1.0	250
SMZ254H	4.7	45	13	500	1.0	3.0	1.0	215
SMZ255B	5.1	45	10	500	1.0	1.0	1.5	200
SMZ255G	5.6	45	7.0	400	1.0	1.0	2.0	190
SMZ256C	6.2	35	4.0	300	1.0	1.0	3.0	170
SMZ256I	6.8	35	3.5	300	1.0	50	4.0	155
SMZ257F	7.5	35	3.0	200	0.5	50	4.5	140
SMZ258C	8.2	25	5.0	200	0.5	50	6.2	130
SMZ259B	9.1	25	5.0	200	0.5	50	6.8	120
SMZ2510	10	25	7.0	200	0.5	50	7.5	105
SMZ2511	11	20	8.0	300	0.5	50	8.2	97
SMZ2512	12	20	9.0	350	0.5	0.5	9.1	88
SMZ2513	13	20	10	400	0.5	0.5	10	79
SMZ2515	15	15	15	500	0.5	0.5	11	71
SMZ2516	16	15	15	500	0.5	0.5	12	66
SMZ2518	18	15	20	500	0.5	0.5	13	62
SMZ2519	19	15	20	550	0.5	0.5	14	58
SMZ2520	20	10	24	600	0.5	0.5	15	56
SMZ2522	22	10	25	600	0.5	0.5	16	52
SMZ2524	24	10	25	600	0.5	0.5	18	47
SMZ2527	27	8.0	30	750	0.25	0.5	20	41
SMZ2530	30	8.0	30	1000	0.25	0.5	22	36
SMZ2533	33	8.0	35	1000	0.25	0.5	24	33
SMZ2536	36	8.0	40	1000	0.25	0.5	27	30
SMZ2539	39	6.0	50	1000	0.25	0.5	30	28
SMZ2543	43	6.0	50	1000	0.25	0.5	33	26
SMZ2547	47	4.0	90	1500	0.25	0.5	36	23
SMZ2551	51	4.0	115	1500	0.25	0.5	39	21
SMZ2556	56	4.0	120	2000	0.25	0.5	43	19
SMZ2562	62	4.0	125	2000	0.25	0.5	47	16
SMZ2568	68	4.0	130	2000	0.25	0.5	51	15
SMZ2575	75	4.0	135	2000	0.25	0.5	56	14
SMZ2582	82	2.7	200	3000	0.25	0.5	62	12
SMZ2591	91	2.7	250	3000	0.25	0.5	68	10
SMZ25B0	100	2.7	350	3000	0.25	0.5	75	9.4
SMZ25B1	110	2.7	450	4000	0.25	0.5	82	8.6
SMZ25B2	120	2.0	550	4500	0.25	0.5	91	7.8
SMZ25B3	130	2.0	700	5000	0.25	0.5	100	7.0
SMZ25B5	150	2.0	1000	6000	0.25	0.5	110	6.4
SMZ25B6	160	1.5	1100	6500	0.25	0.5	120	5.8
SMZ25B8	180	1.5	1200	7000	0.25	0.5	130	5.2
SMZ25D0	200	1.5	1900	9990	0.25	0.5	150	4.7

Note :

- (1) The type number listed have a standard tolerance on the nominal zener voltage of $\pm 5.0\%$.