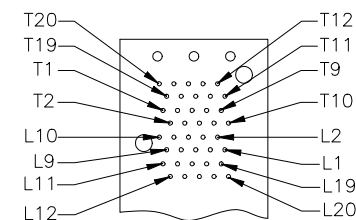
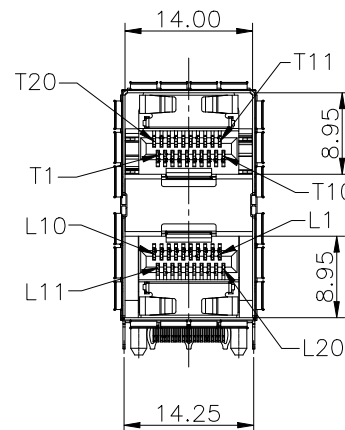
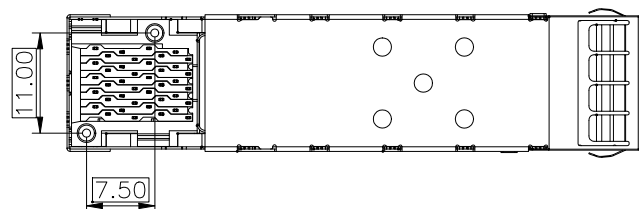
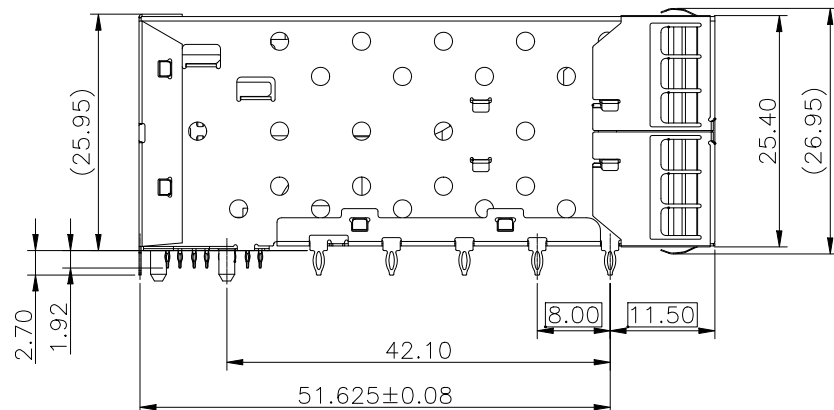
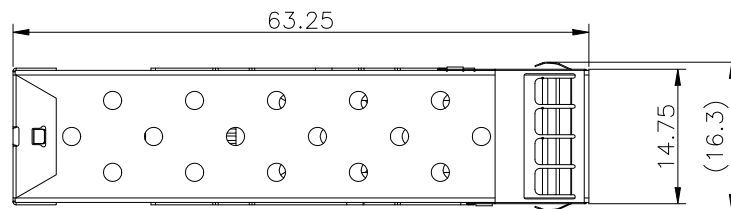


REV.	ECN. NO.	NAME	DATE


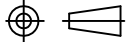
NOTES:

MATERIAL:
 CAGE: NICKEL SILVER
 CONNECTOR:
 PLASTIC HOUSING: HIGH TEMPERATURE LCP, UL94 V-0.
 LIGHT PIPE: POLYCARBONATE; COLOR: CLEAR
 SPRING: STAINLESS STEEL
 CONTACTS: PHOSPHOR BRONZE
 CONTACT PLATING: 15u" MIN. GOLD ON MATING AREA,
 150u" MATTE TIN ON SOLDER TAILS
 PACKAGING: TRAY PACKAGING.
 TEMPERATURE RANGE: -40°C TO +85°C

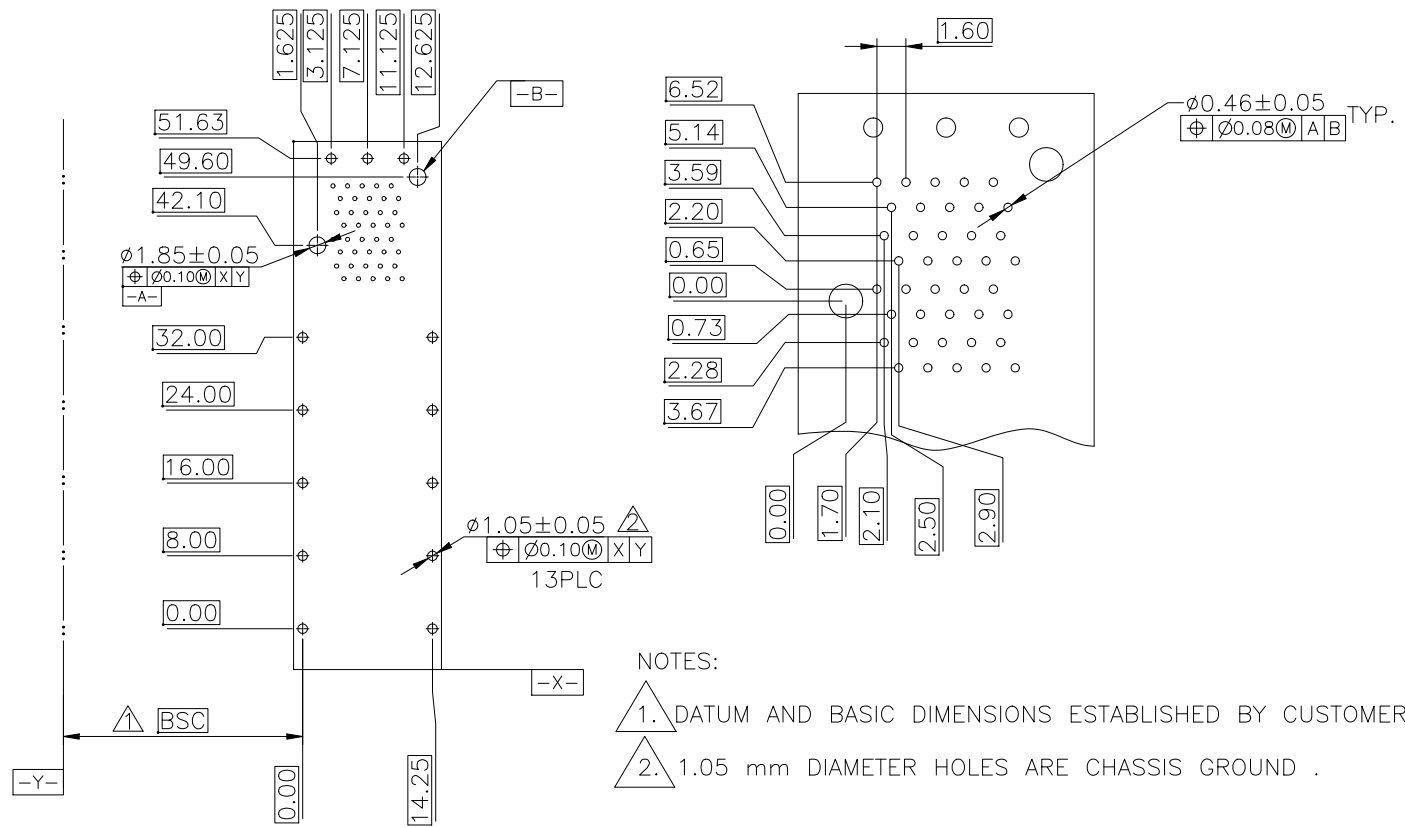


CONNECTOR PIN-OUT
 COMPONENT SIDE OF BOARD

RoHS Compliant

TOLERANCE UNSPECIFIED		 a vital connector company		FOR YOUR VITAL CONNECTION	
.0	± 0.38			TITLE: SFP+2*1CAGE+ CONN	
.00	± 0.25	DRAWN BY: BECKER		PART NO: SN211	
.000	± 0.10	CHECKED BY: VTA		UNIT:mm	
ANGLE	± 3.00°	APPROVED BY: QPF		SHEET:10F3	
MANUFACTURING COPY		PROJECTION		 http://www.vitalconn.com	
		REV: A		FCN: A4	


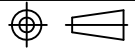
REV.	ECN. NO.	NAME	DATE



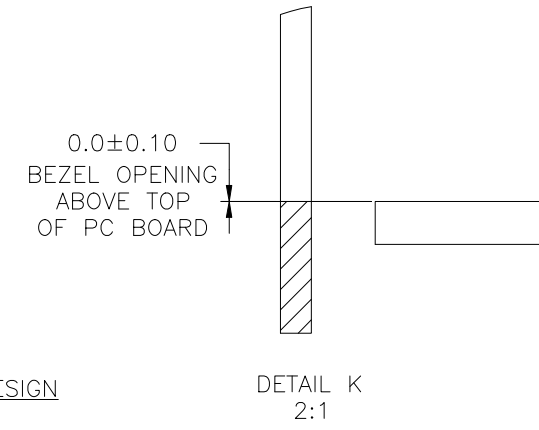
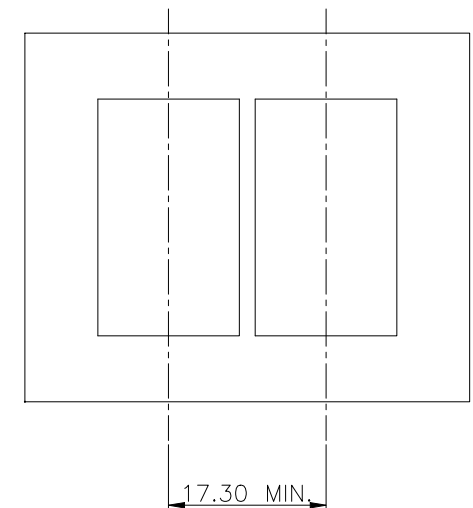
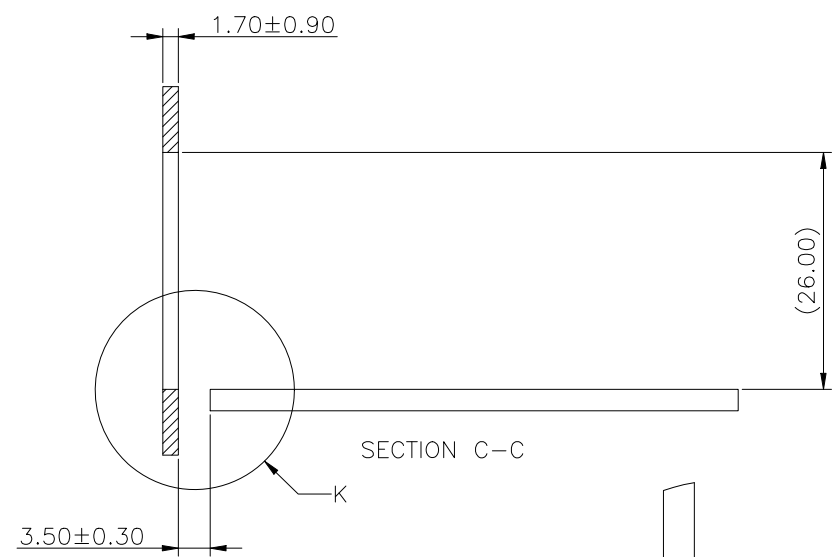
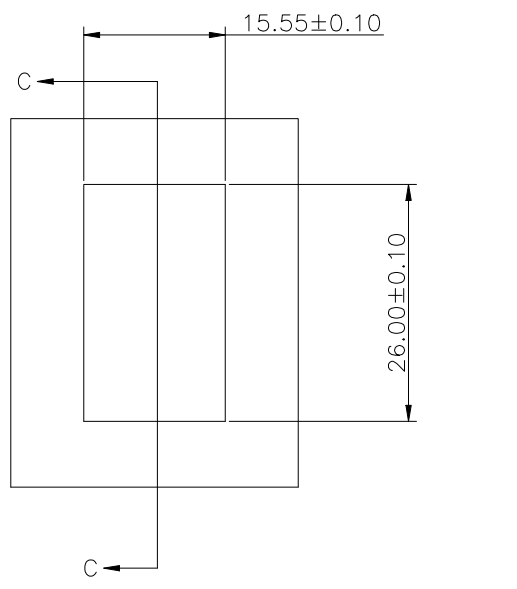
- NOTES:
1. DATUM AND BASIC DIMENSIONS ESTABLISHED BY CUSTOMER.
 2. 1.05 mm DIAMETER HOLES ARE CHASSIS GROUND .

ECOMMENDED PCB CONFIGURATION

RoHS Compliant

TOLERANCE UNSPECIFIED		 VITALCON a vital connector company		FOR YOUR VITAL CONNECTION	
.0	± 0.38			TITLE: SFP+2*1CAGE+ CONN	
.00	± 0.25	DRAWN BY:	BECKER	PART NO:	SN211
.000	± 0.10	CHECKED BY:	VTA	SIZE: A4	UNIT:mm
ANGLE	± 3.00°	APPROVED BY:	QPF	PROJECTION	
MANUFACTURING COPY				SHEET:20F3	FCN: A4
				http://www.vitalconn.com	

REV.	ECN. NO.	NAME	DATE



RoHS Compliant

TOLERANCE UNSPECIFIED		VITALCON a vital connector company		FOR YOUR VITAL CONNECTION			
.0	± 0.38			TITLE: SFP+2*1CAGE+ CONN			
.00	± 0.25	DRAWN BY:	BECKER	PART NO:	SN211	REV: A	
.000	± 0.10	CHECKED BY:	VTA	SIZE: A4	UNIT:mm	SHEET:30F3	FCN: A4
ANGLE	± 3.00°	APPROVED BY:	QPF	PROJECTION		http://www.vitalconn.com	
MANUFACTURING COPY							

1 2 3 4 5 6 7 8

A

A

B

B

C

C

D

D

E

E

F

F

1 2 3 4 5 6 7 8