

REV.	ECN. NO.	NAME	DATE

NOTES:

MATERIAL:

CAGE: NICKEL SILVER

CONNECTOR:

PLASTIC HOUSING: HIGH TEMPERATURE LCP, UL94 V-0.

LIGHT PIPE: POLYCARBONATE; COLOR: CLEAR

SPRING: STAINLESS STEEL

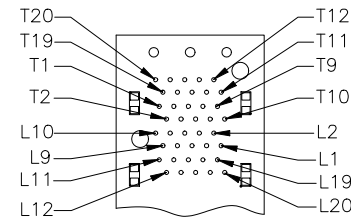
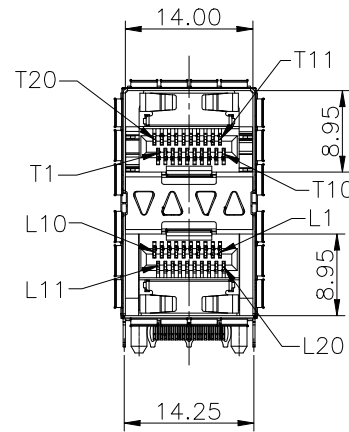
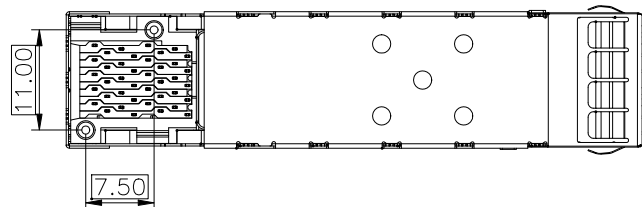
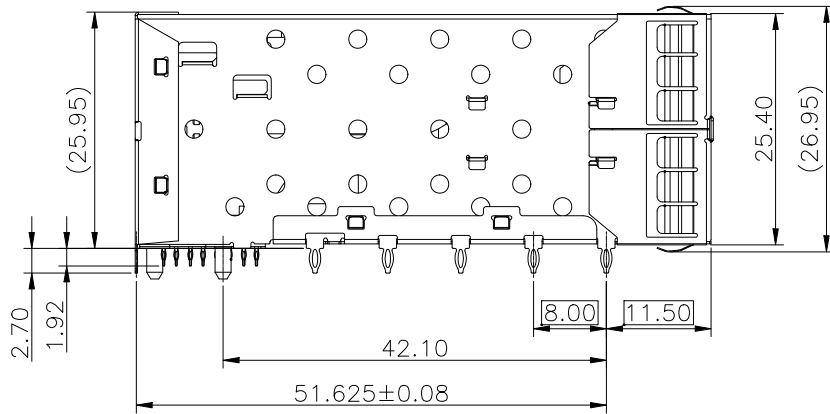
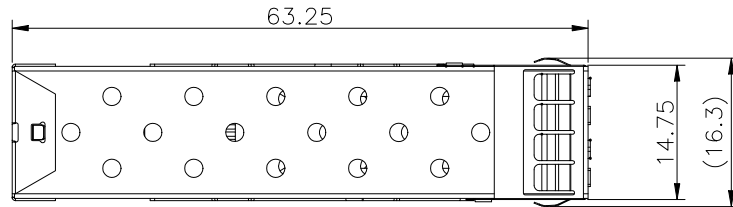
CONTACTS: PHOSPHOR BRONZE

CONTACT PLATING: 15u" MIN. GOLD ON MATING AREA,

150u" MATTE TIN ON SOLDER TAILS


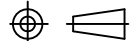
PACKAGING: TRAY PACKAGING.

TEMPERATURE RANGE: -40°C TO +85°C

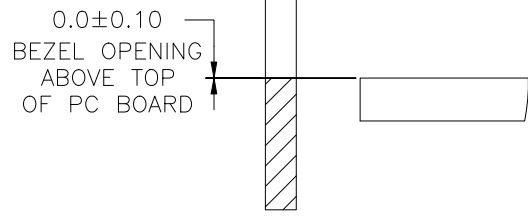
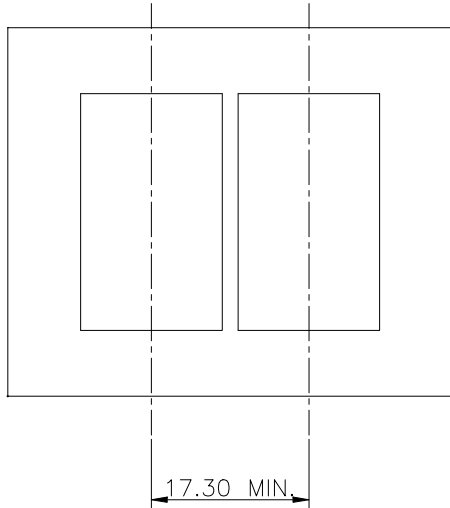
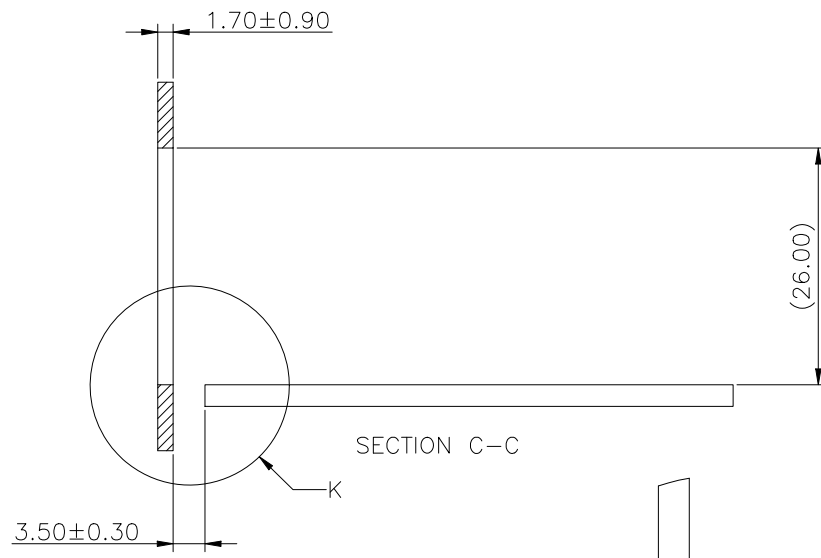
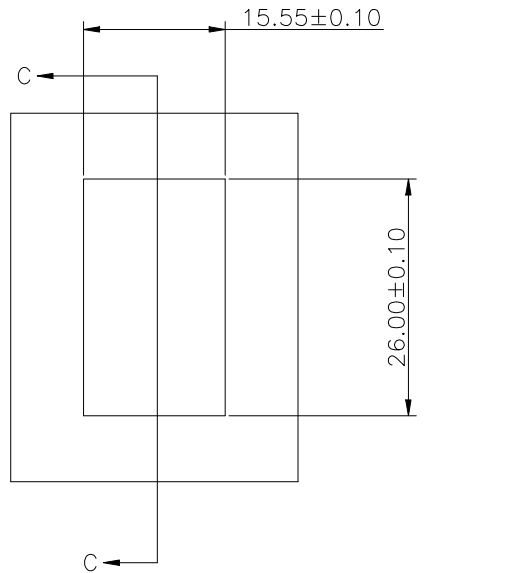


CONNECTOR PIN-OUT
COMPONENT SIDE OF BOARD

RoHS Compliant

TOLERANCE UNSPECIFIED		 VITALCON a vital connector company		FOR YOUR VITAL CONNECTION	
.0	± 0.38			TITLE: SFP+2*1CAGE+ CONN	
.00	± 0.25	DRAWN BY: BECKER	PART NO: SN212	REV: A	
.000	± 0.10	CHECKED BY: VTA	SIZE: A4	UNIT:mm	SHEET:10F3
ANGLE	± 3.00°	APPROVED BY: QPF	PROJECTION		FCN: A4
MANUFACTURING COPY				http://www.vitalconn.com	

REV.	ECN. NO.	NAME	DATE



RoHS Compliant

TOLERANCE UNSPECIFIED		VITALCON a vital connector company		FOR YOUR VITAL CONNECTION	
.0	± 0.38			TITLE: SFP+2*1CAGE+ CONN	
.00	± 0.25	DRAWN BY: BECKER		PART NO: SN212	REV: A
.000	± 0.10	CHECKED BY: VTA		SIZE: A4	UNIT:mm
ANGLE	± 3.00°	APPROVED BY: QPF		PROJECTION	SHEET:30F3
MANUFACTURING COPY					FCN: A4
					http://www.vitalconn.com