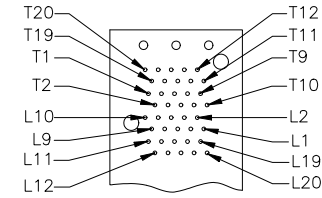
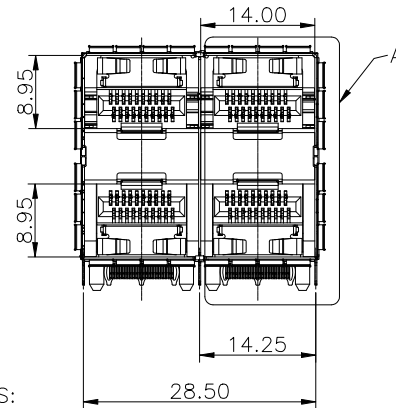
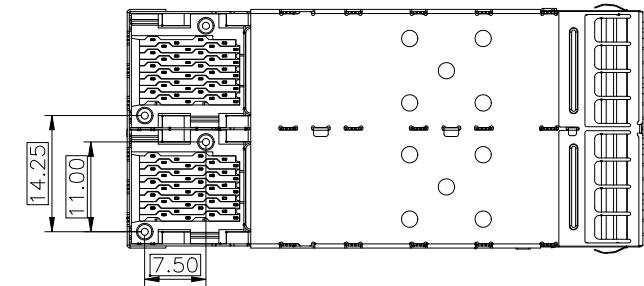
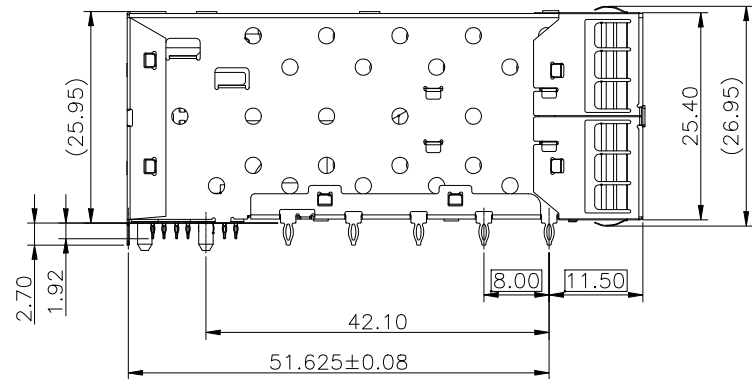
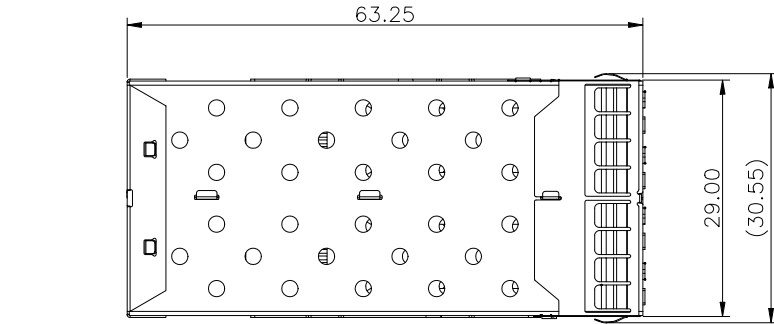
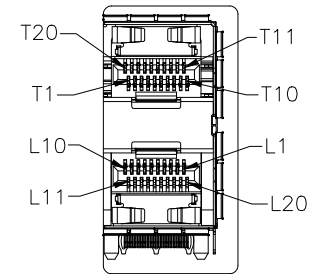


REV.	ECN. NO.	NAME	DATE



CONNECTOR PIN-OUT  
COMPONENT SIDE OF BOARD



DETAIL A  
1:1

NOTES:

MATERIAL:  
 CAGE: NICKEL SILVER, THICKNESS 0.25mm  
 CONNECTOR:  
 PLASTIC HOUSING: HIGH TEMPERATURE LCP, UL94 V-0.  
 SPRING: STAINLESS STEEL, THICKNESS 0.20mm  
 CONTACTS: PHOSPHOR BRONZE, THICKNESS 0.20mm  
 PLATING: 15μ" MIN. GOLD ON MATING AREA,  
 150μ" MIN. MATE TIN ON SOLDER TAILS.

PACKAGING: TRAY PACKAGING.

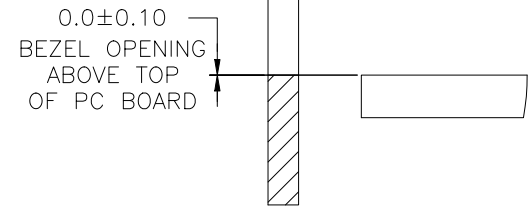
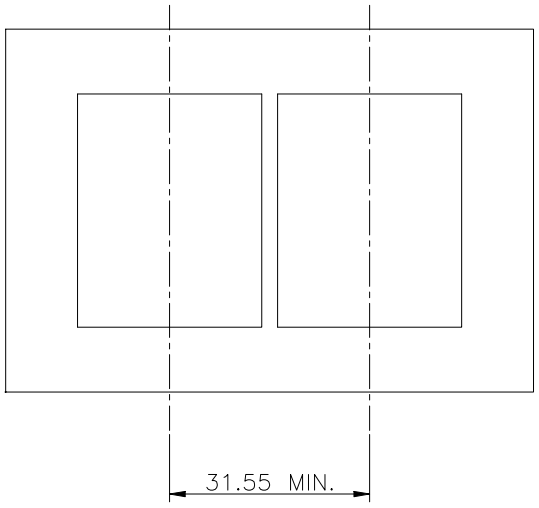
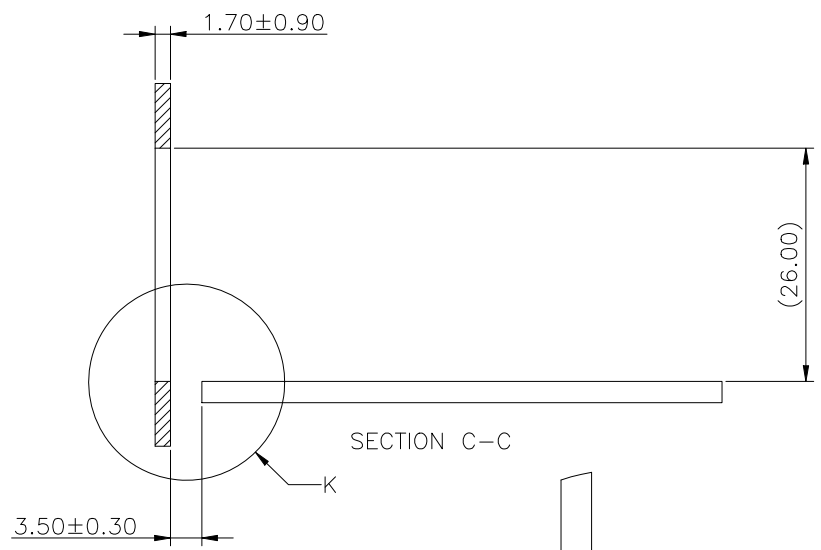
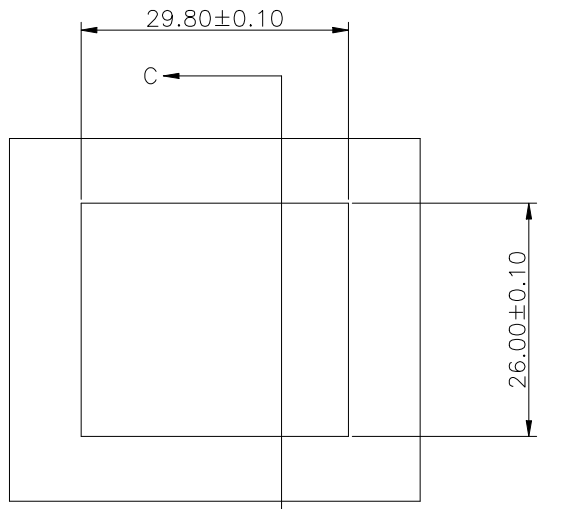
TEMPERATURE RANGE: -40°C TO +85°C

RoHS Compliant

TOLERANCE UNSPECIFIED				FOR YOUR VITAL CONNECTION	
.0	± 0.38			TITLE: SFP+2*2CAGE+ CONN	
.00	± 0.25	DRAWN BY: BECKER		PART NO: SN221	
.000	± 0.10	CHECKED BY: VTA		SIZE: A4	
ANGLE	± 3.00°	APPROVED BY: QPF		UNIT:mm	
MANUFACTURING COPY		PROJECTION		SHEET:10F3	
				REV: A	
				FCN: A4	
				<a href="http://www.vitalconn.com">http://www.vitalconn.com</a>	



REV.	ECN. NO.	NAME	DATE



RECOMMENDED BEZEL DESIGN

RoHS Compliant

TOLERANCE UNSPECIFIED		<b>VITALCON</b> a vital connector company		FOR YOUR VITAL CONNECTION			
.0	± 0.38			TITLE: SFP+2*2CAGE+ CONN			
.00	± 0.25	DRAWN BY:	BECKER	PART NO:	SN221	REV: A	
.000	± 0.10	CHECKED BY:	VTA	SIZE: A4	UNIT:mm	SHEET:30F3	FCN: A4
ANGLE	± 3.00°	APPROVED BY:	QPF	PROJECTION		<a href="http://www.vitalconn.com">http://www.vitalconn.com</a>	
MANUFACTURING COPY							

1 2 3 4 5 6 7 8

A

A

B

B

C

C

D

D

E

E

F

F

1 2 3 4 5 6 7 8