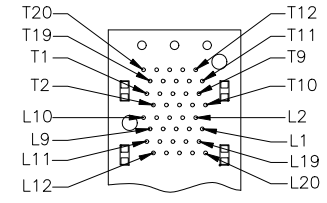
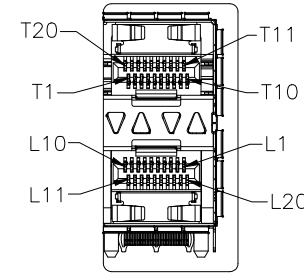
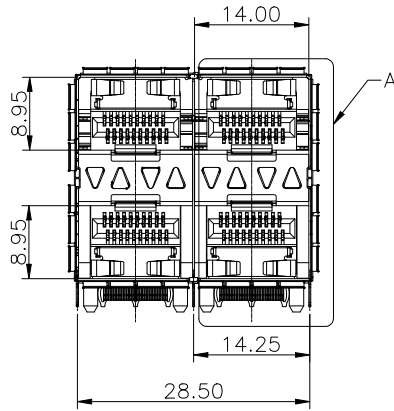
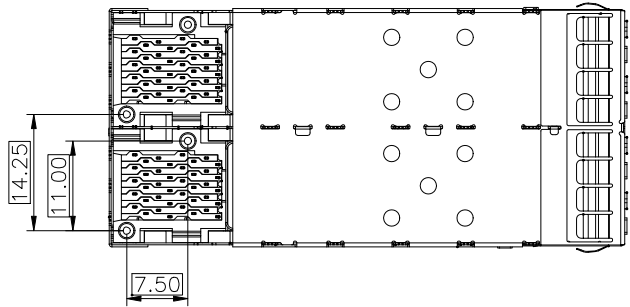
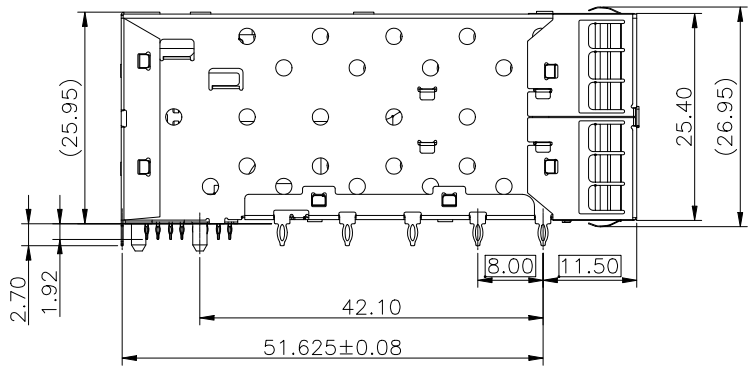
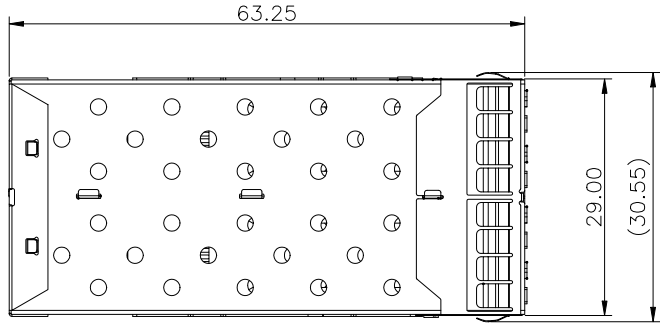



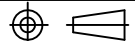
REV.	ECN. NO.	NAME	DATE

NOTES:
MATERIAL:
CAGE: NICKEL SILVER
CONNECTOR:
PLASTIC HOUSING: HIGH TEMPERATURE LCP, UL94 V-0.
LIGHT PIPE: POLYCARBONATE; COLOR: CLEAR
SPRING: STAINLESS STEEL
CONTACTS: PHOSPHOR BRONZE
CONTACT PLATING: 15u" MIN. GOLD ON MATING AREA,
150u" MATTE TIN ON SOLDER TAILS
PACKAGING: TRAY PACKAGING.
TEMPERATURE RANGE: -40°C TO +85°C

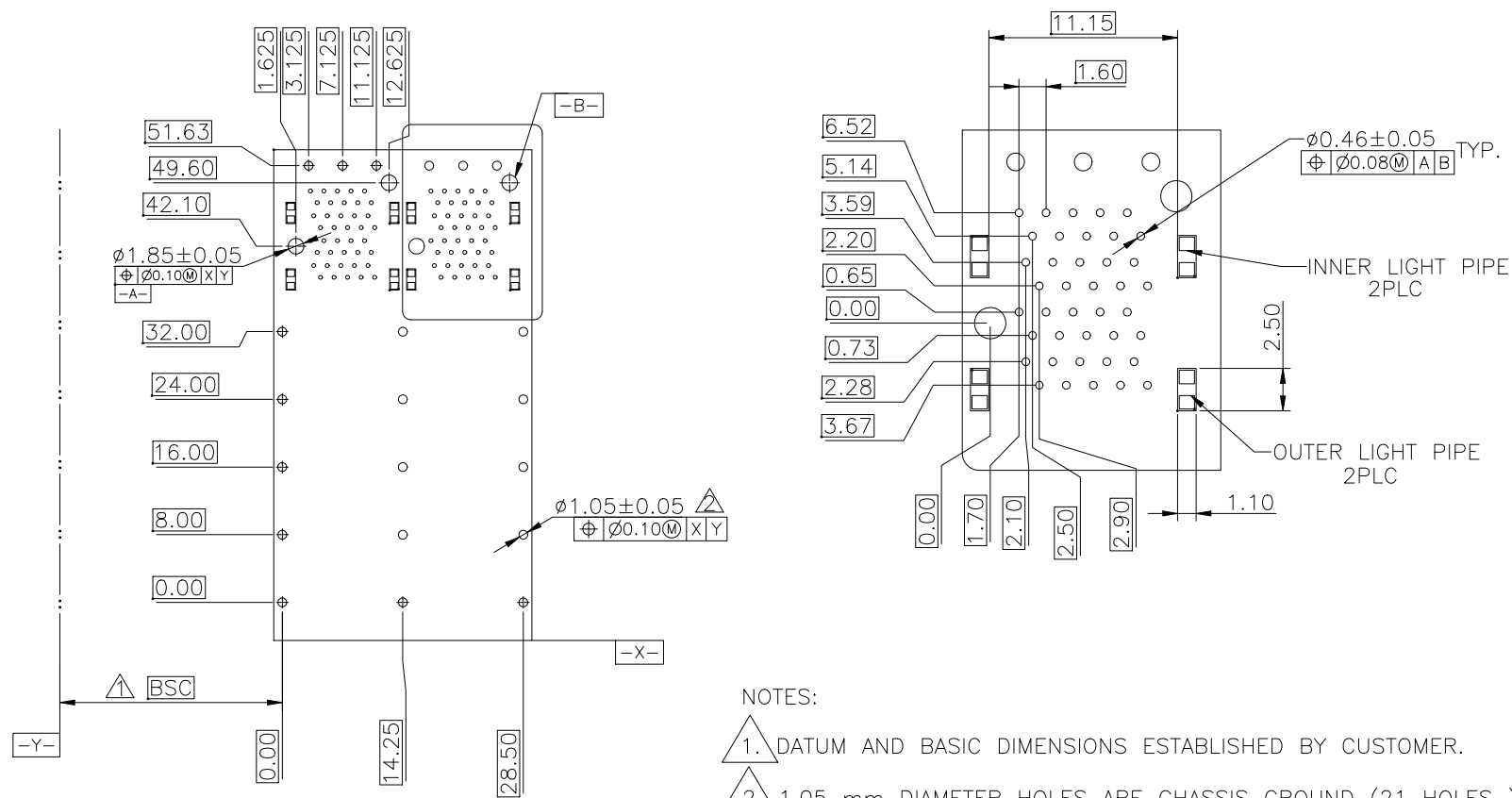


CONNECTOR PIN-OUT
COMPONENT SIDE OF BOARD

RoHS Compliant

TOLERANCE UNSPECIFIED		 VITALCON a vital connector company		FOR YOUR VITAL CONNECTION	
.0	± 0.38			TITLE: SFP+2*2CAGE+ CONN	
.00	± 0.25	DRAWN BY: BECKER		PART NO: SN222	REV: A
.000	± 0.10	CHECKED BY: VTA		SIZE: A4	UNIT:mm
ANGLE	± 3.00°	APPROVED BY: QPF		PROJECTION	SHEET:10F3
MANUFACTURING COPY		PROJECTION		 http://www.vitalconn.com	

REV.	ECN. NO.	NAME	DATE


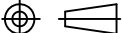


NOTES:

1. DATUM AND BASIC DIMENSIONS ESTABLISHED BY CUSTOMER.
2. 1.05 mm DIAMETER HOLES ARE CHASSIS GROUND (21 HOLES) .

ECOMMENDED PCB CONFIGURATION

RoHS Compliant

TOLERANCE UNSPECIFIED		 VITALCON a vital connector company		FOR YOUR VITAL CONNECTION	
.0	± 0.38			TITLE: SFP+2*2CAGE+ CONN	
.00	± 0.25	DRAWN BY: BECKER		PART NO: SN222	
.000	± 0.10	CHECKED BY: VTA		REV: A	
ANGLE	± 3.00°	APPROVED BY: QPF		SIZE: A4	UNIT:mm
MANUFACTURING COPY		PROJECTION		SHEET:20F3	FCN: A4
				 http://www.vitalconn.com	

1 2 3 4 5 6 7 8

A

A

B

B

C

C

D

D

E

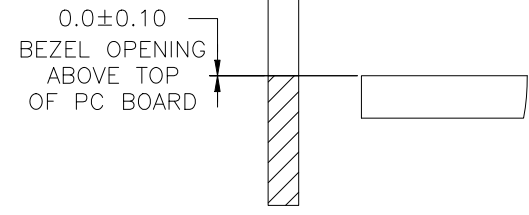
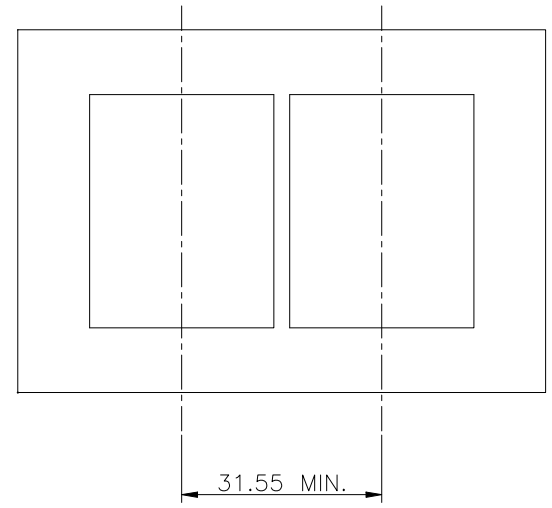
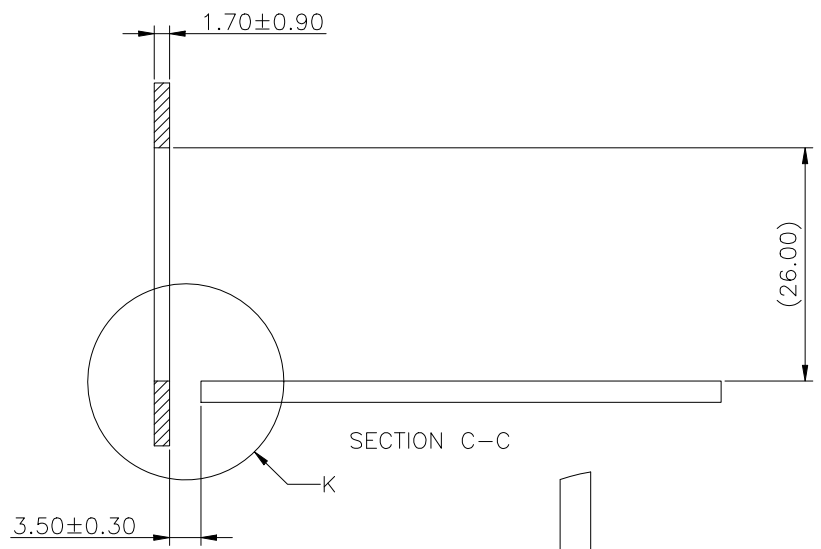
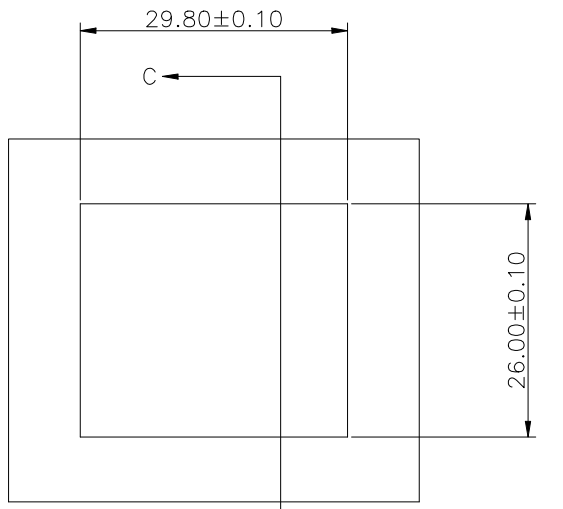
E

F

F

1 2 3 4 5 6 7 8

REV.	ECN. NO.	NAME	DATE



RECOMMENDED BEZEL DESIGN

RoHS Compliant

TOLERANCE UNSPECIFIED		VITALCON a vital connector company		FOR YOUR VITAL CONNECTION	
.0	± 0.38			TITLE: SFP+2*2CAGE+ CONN	
.00	± 0.25	DRAWN BY: BECKER		PART NO: SN222	
.000	± 0.10	CHECKED BY: VTA		UNIT:mm	
ANGLE	± 3.00°	APPROVED BY: QPF		SHEET:30F3	
MANUFACTURING COPY		PROJECTION		http://www.vitalconn.com	

