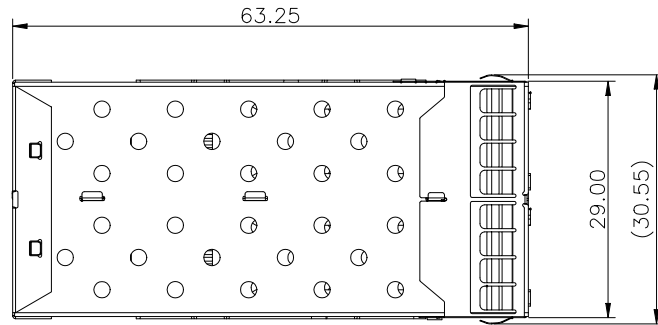
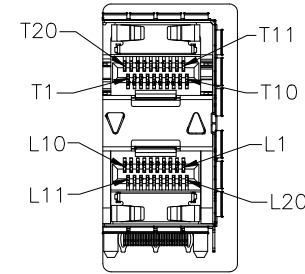
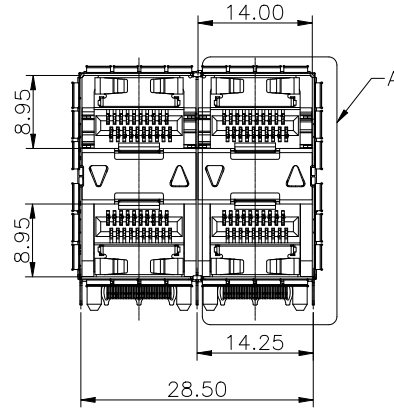
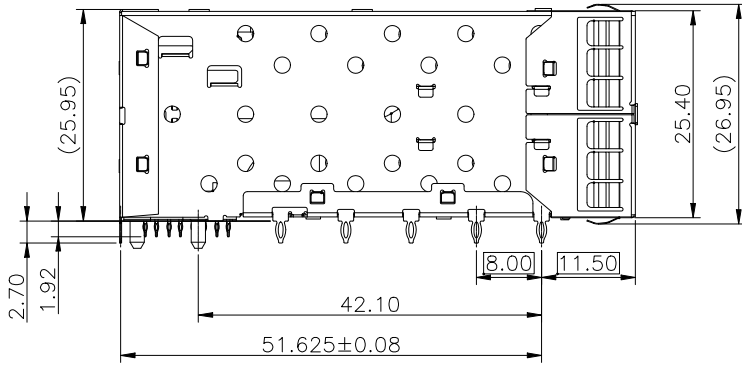


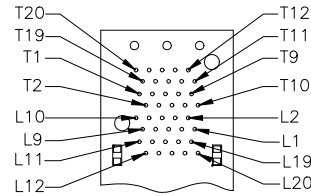
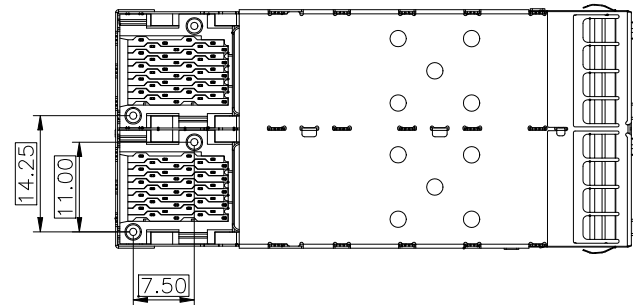
REV.	ECN. NO.	NAME	DATE



NOTES:  
MATERIAL:  
CAGE: NICKEL SILVER  
CONNECTOR:  
PLASTIC HOUSING: HIGH TEMPERATURE LCP, UL94 V-0.  
LIGHT PIPE: POLYCARBONATE; COLOR: CLEAR  
SPRING: STAINLESS STEEL  
CONTACTS: PHOSPHOR BRONZE  
CONTACT PLATING: 15u" MIN. GOLD ON MATING AREA,  
150u" MATTE TIN ON SOLDER TAILS  
PACKAGING: TRAY PACKAGING.  
TEMPERATURE RANGE: -40°C TO +85°C



DETAIL A  
1:1

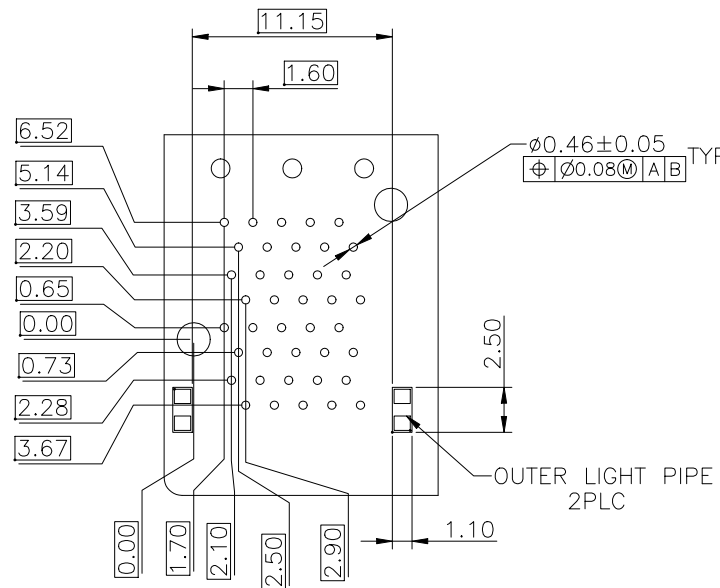
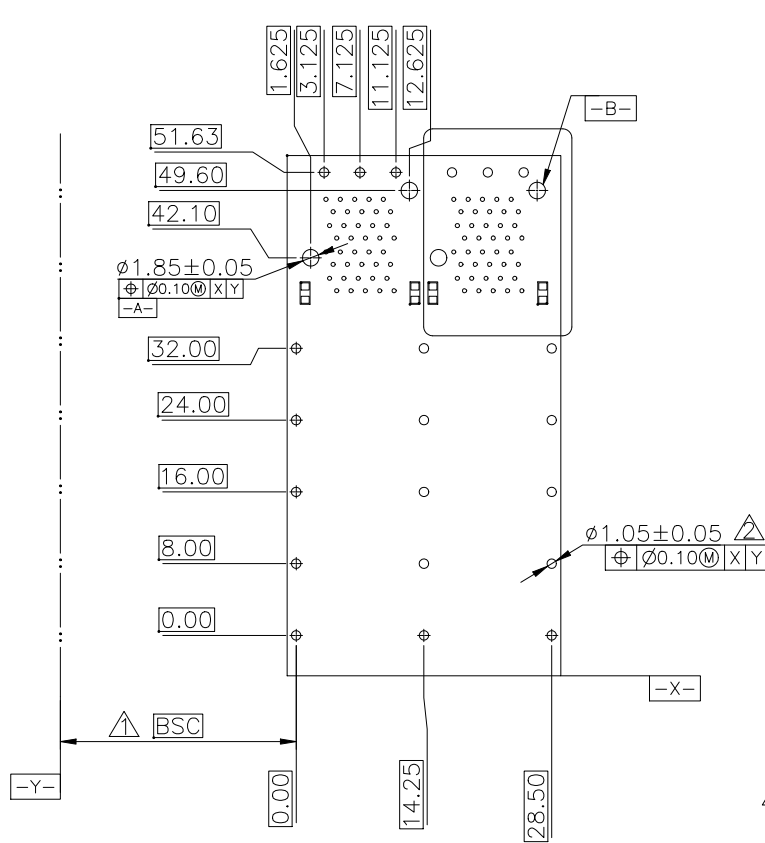


CONNECTOR PIN-OUT  
COMPONENT SIDE OF BOARD

RoHS Compliant

TOLERANCE UNSPECIFIED		<b>VITALCON</b> a vital connector company		FOR YOUR VITAL CONNECTION	
.0	± 0.38				
.00	± 0.25	TITLE: SFP+2*2CAGE+ CONN			
.000	± 0.10				
ANGLE	± 3.00°				
MANUFACTURING COPY		DRAWN BY: BECKER			
DRAWN BY: BECKER		PART NO: SN223		REV: A	
CHECKED BY: VTA		SIZE: A4		UNIT:mm	
APPROVED BY: QPF		PROJECTION		SHEET:10F3	
				FCN: A4	
				http://www.vitalconn.com	

REV.	ECN. NO.	NAME	DATE



NOTES:

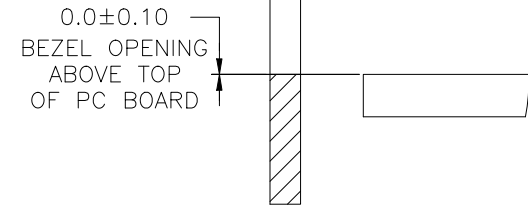
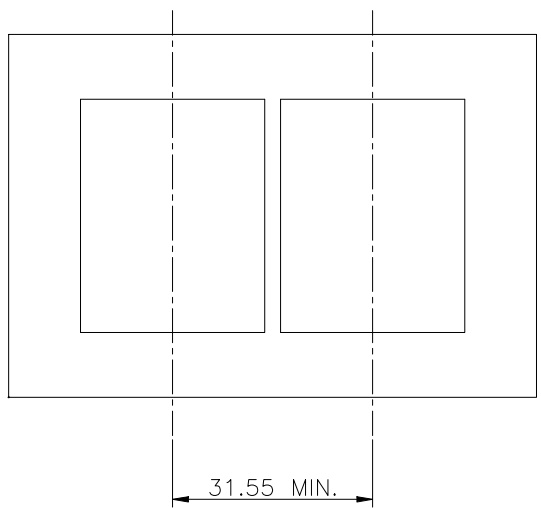
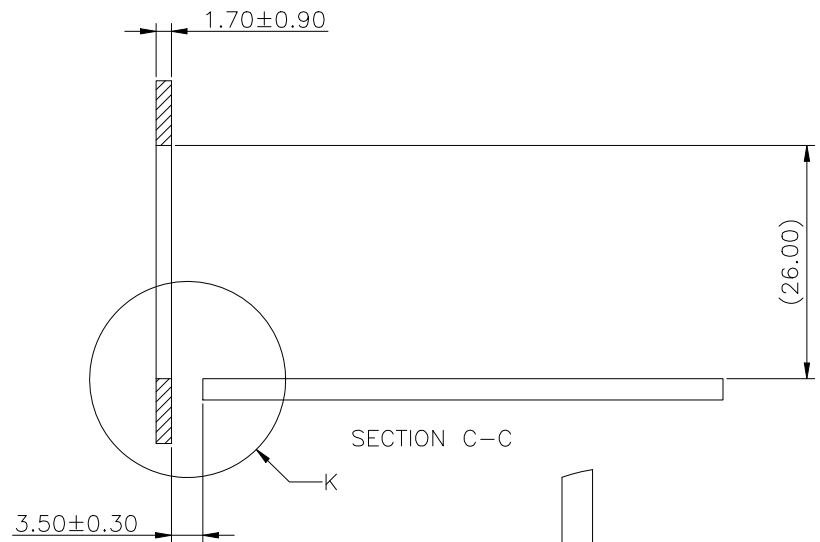
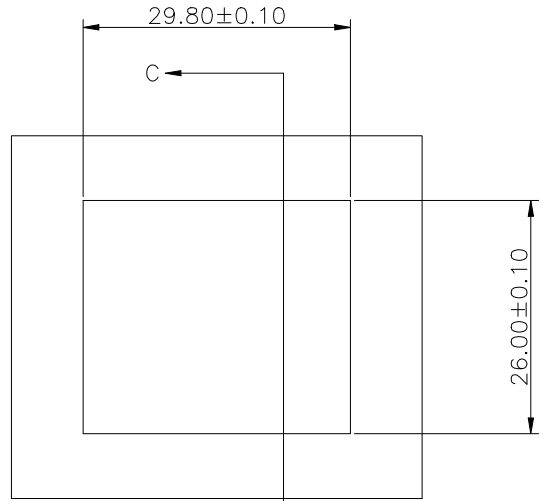
- 1. DATUM AND BASIC DIMENSIONS ESTABLISHED BY CUSTOMER.
- 2. 1.05 mm DIAMETER HOLES ARE CHASSIS GROUND ( 21 HOLES ) .

ECOMMENDED PCB CONFIGURATION

RoHS Compliant

TOLERANCE UNSPECIFIED		<b>VITALCON</b> a vital connector company		FOR YOUR VITAL CONNECTION	
.0	± 0.38			TITLE: SFP+2*2CAGE+ CONN	
.00	± 0.25	DRAWN BY: BECKER	PART NO: SN223	REV: A	
.000	± 0.10	CHECKED BY: VTA	SIZE: A4	UNIT:mm	SHEET:20F3 FCN: A4
ANGLE	± 3.00°	APPROVED BY: QPF	PROJECTION		<a href="http://www.vitalconn.com">http://www.vitalconn.com</a>
MANUFACTURING COPY					

REV.	ECN. NO.	NAME	DATE



RECOMMENDED BEZEL DESIGN

RoHS Compliant

TOLERANCE UNSPECIFIED		<b>VITALCON</b> a vital connector company		FOR YOUR VITAL CONNECTION			
.0	± 0.38			TITLE: SFP+2*2CAGE+ CONN			
.00	± 0.25	DRAWN BY:	BECKER	PART NO:	SN223	REV: A	
.000	± 0.10	CHECKED BY:	VTA	SIZE: A4	UNIT:mm	SHEET:30F3	FCN: A4
ANGLE	± 3.00°	APPROVED BY:	QPF	PROJECTION		<a href="http://www.vitalconn.com">http://www.vitalconn.com</a>	
MANUFACTURING COPY							