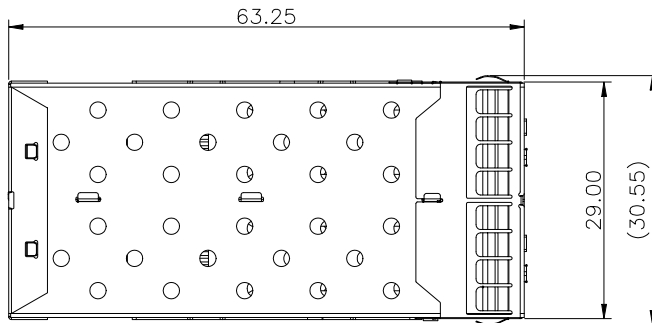
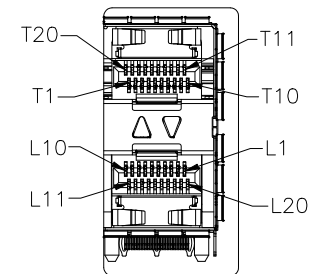
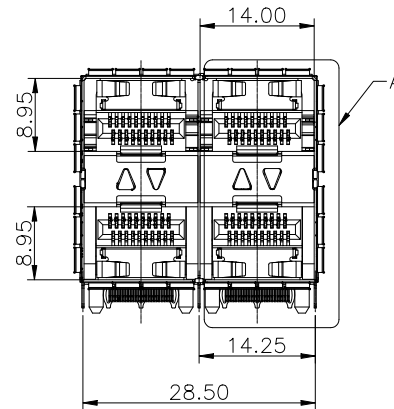
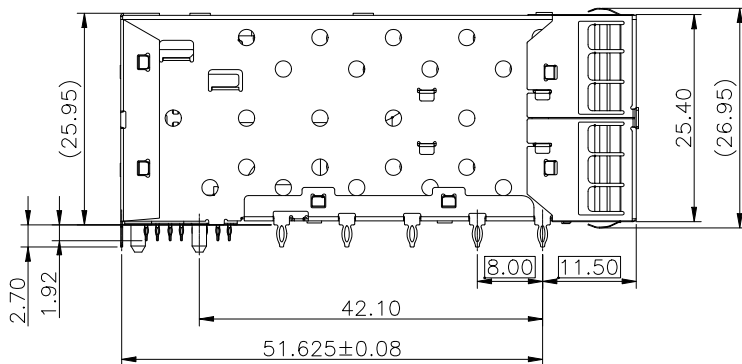


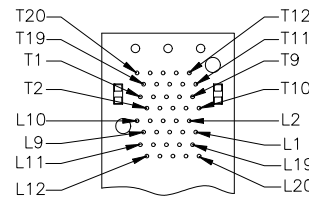
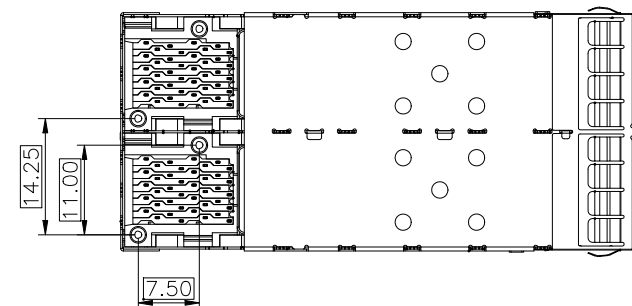
REV.	ECN. NO.	NAME	DATE



NOTES:
MATERIAL:
CAGE: NICKEL SILVER
CONNECTOR:
PLASTIC HOUSING: HIGH TEMPERATURE LCP, UL94 V-0.
LIGHT PIPE: POLYCARBONATE; COLOR: CLEAR
SPRING: STAINLESS STEEL
CONTACTS: PHOSPHOR BRONZE
CONTACT PLATING: 15u" MIN. GOLD ON MATING AREA,
150u" MATTE TIN ON SOLDER TAILS
PACKAGING: TRAY PACKAGING.
TEMPERATURE RANGE: -40°C TO +85°C



DETAIL A
1:1

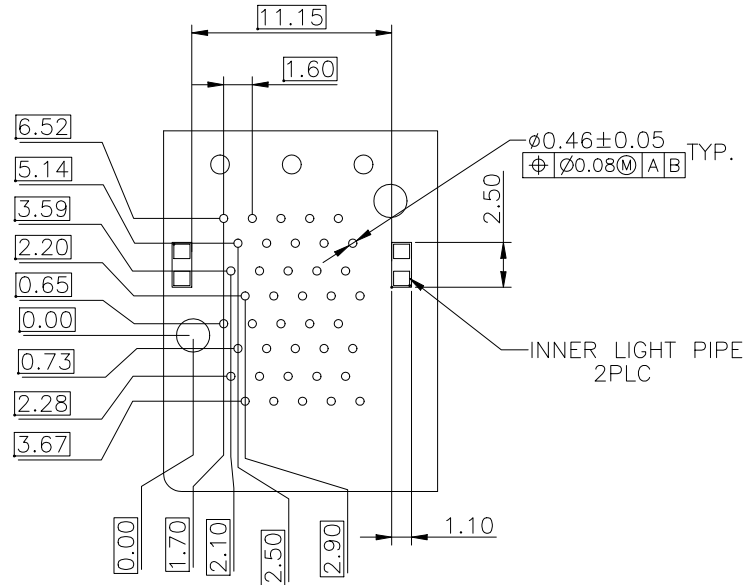
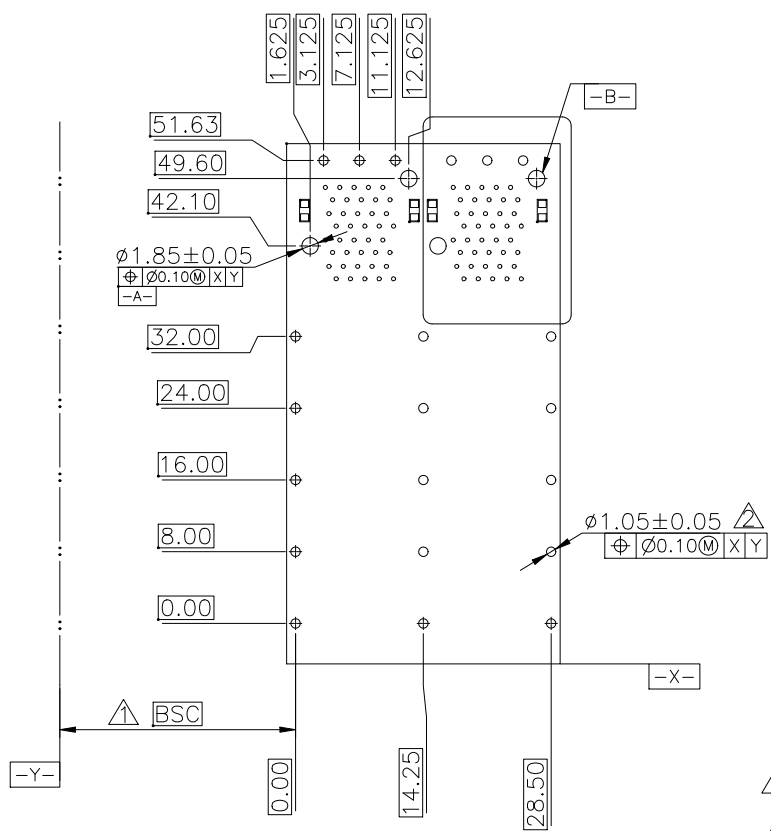


CONNECTOR PIN-OUT
COMPONENT SIDE OF BOARD

RoHS Compliant

TOLERANCE UNSPECIFIED		VITALCON a vital connector company		FOR YOUR VITAL CONNECTION	
.0	± 0.38			TITLE: SFP+2*2CAGE+ CONN	
.00	± 0.25	DRAWN BY: BECKER		PART NO: SN224	REV: A
.000	± 0.10	CHECKED BY: VTA		SIZE: A4	UNIT:mm
ANGLE	± 3.00°	APPROVED BY: QPF		PROJECTION	SHEET:10F3
MANUFACTURING COPY		PROJECTION			FCN: A4
					http://www.vitalconn.com

REV.	ECN. NO.	NAME	DATE



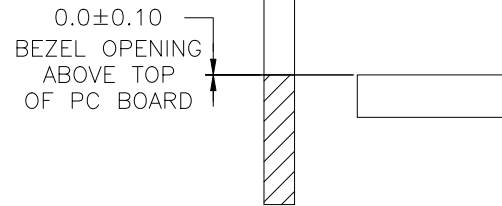
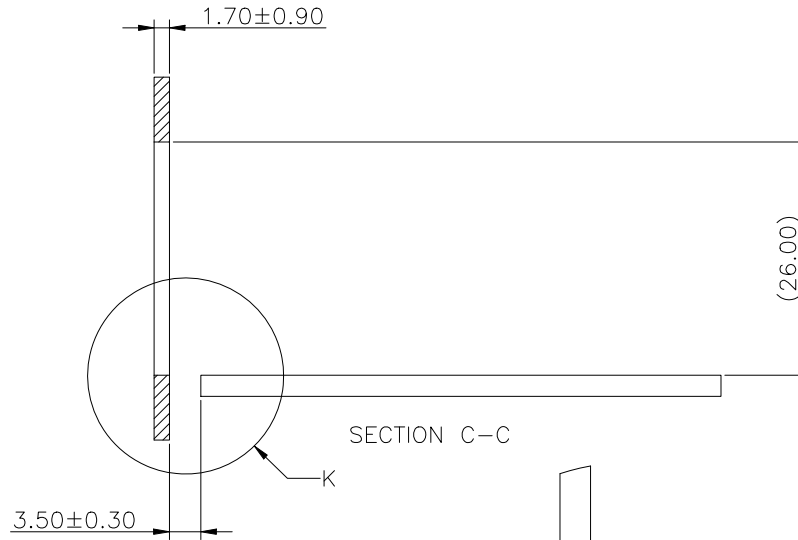
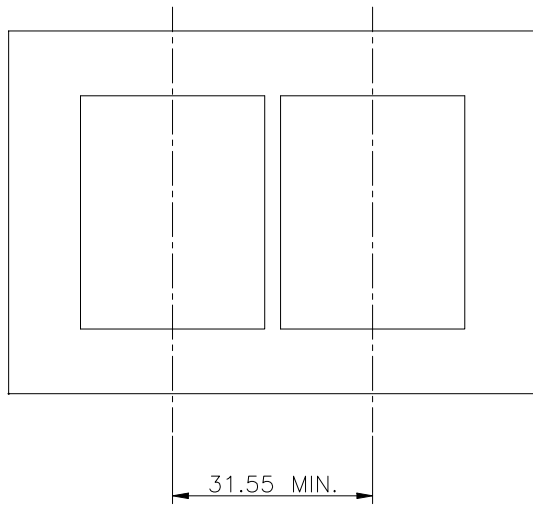
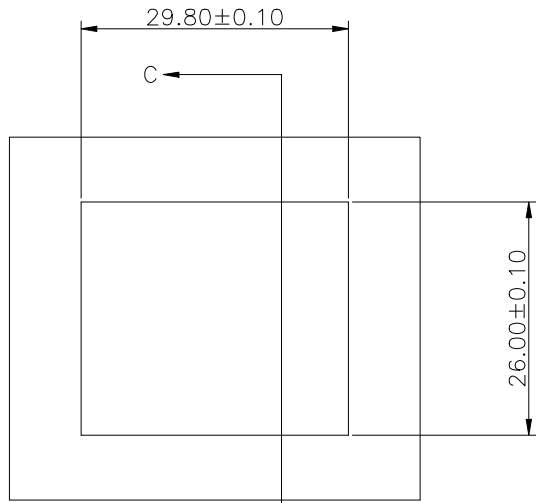
- NOTES:
1. DATUM AND BASIC DIMENSIONS ESTABLISHED BY CUSTOMER.
 2. 1.05 mm DIAMETER HOLES ARE CHASSIS GROUND (21 HOLES) .

ECOMMENDED PCB CONFIGURATION

RoHS Compliant

TOLERANCE UNSPECIFIED		 VITALCON a vital connector company		FOR YOUR VITAL CONNECTION	
.0	± 0.38			TITLE: SFP+2*2CAGE+ CONN	
.00	± 0.25	DRAWN BY: BECKER	PART NO: SN224	REV: A	
.000	± 0.10	CHECKED BY: VTA	SIZE: A4	UNIT:mm	SHEET:20F3
ANGLE	± 3.00°	APPROVED BY: QPF	PROJECTION		FCN: A4
MANUFACTURING COPY					http://www.vitalconn.com

REV.	ECN. NO.	NAME	DATE



RECOMMENDED BEZEL DESIGN

RoHS Compliant

TOLERANCE UNSPECIFIED		VITALCON a vital connector company		FOR YOUR VITAL CONNECTION			
.0	± 0.38			TITLE: SFP+2*2CAGE+ CONN			
.00	± 0.25	DRAWN BY:	BECKER	PART NO:	SN224	REV: A	
.000	± 0.10	CHECKED BY:	VTA	SIZE: A4	UNIT:mm	SHEET:30F3	FCN: A4
ANGLE	± 3.00°	APPROVED BY:	QPF	PROJECTION		http://www.vitalconn.com	
MANUFACTURING COPY							