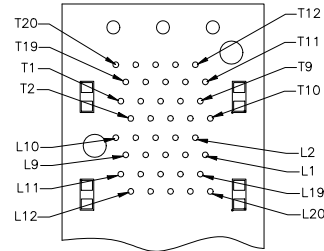
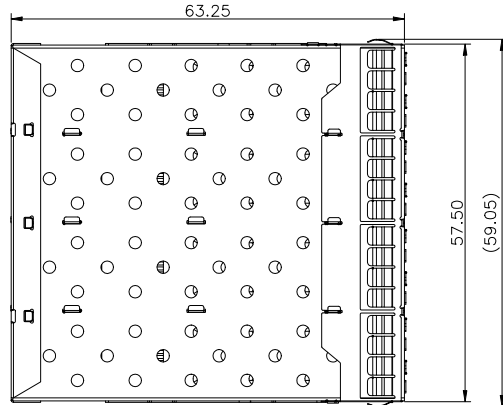
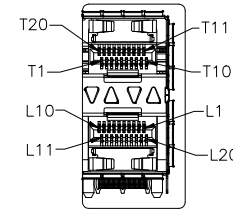


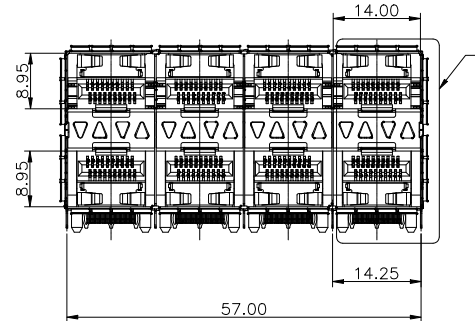
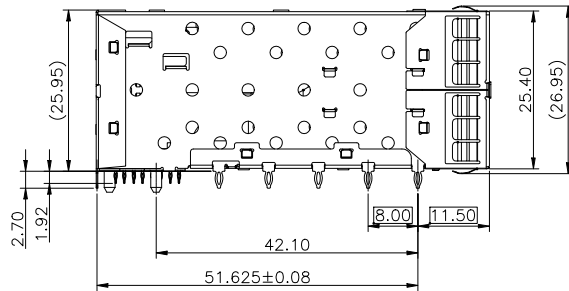
REV.	ECN. NO.	NAME	DATE



CONNECTOR PIN-OUT  
COMPONENT SIDE OF BOARD



DETAIL A  
1:1



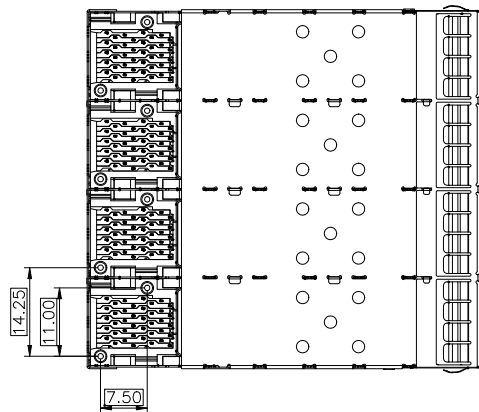
NOTES:

MATERIAL:  
CAGE: NICKEL SILVER

CONNECTOR:  
PLASTIC HOUSING: HIGH TEMPERATURE LCP, UL94 V-0.  
LIGHT PIPE: POLYCARBONATE; COLOR: CLEAR  
SPRING: STAINLESS STEEL  
CONTACTS: PHOSPHOR BRONZE  
CONTACT PLATING: 15u" MIN. GOLD ON MATING AREA,  
150u" MATTE TIN ON SOLDER TAILS

PACKAGING: TRAY PACKAGING.

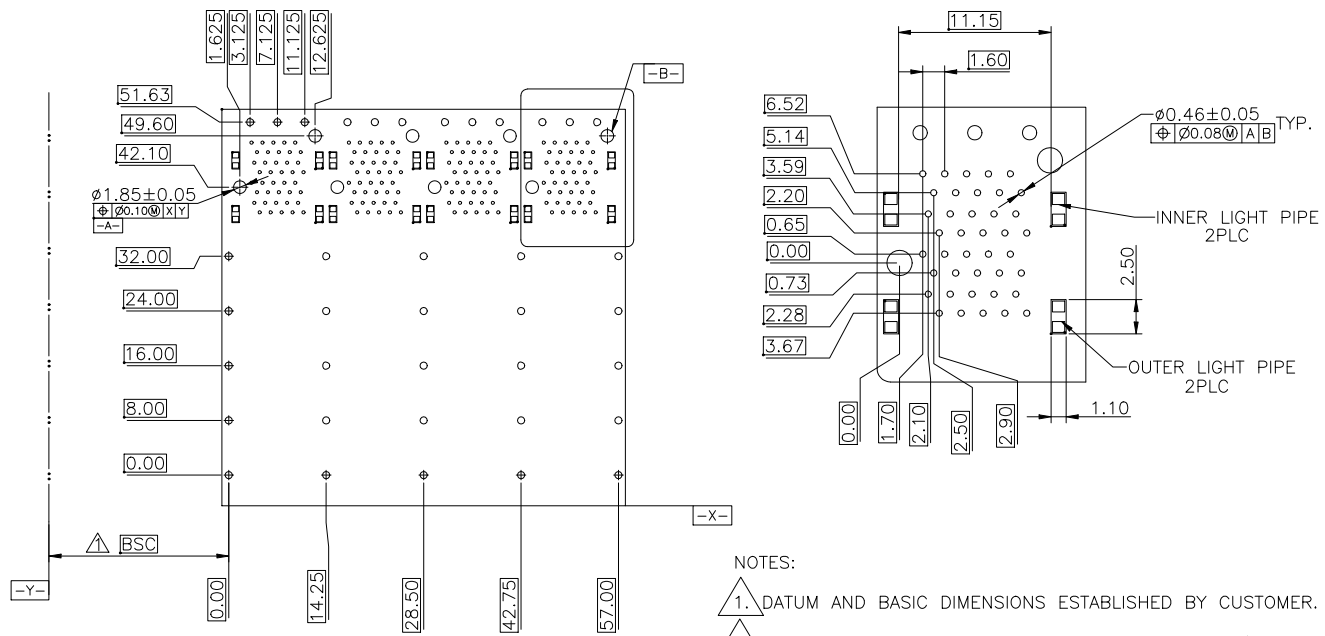
TEMPERATURE RANGE: -40°C TO +85°C



RoHS Compliant

TOLERANCE UNSPECIFIED		 a vital connector company		FOR YOUR VITAL CONNECTION	
.0	± 0.38			TITLE: SFP+2*4CAGE+ CONN	
.00	± 0.25	DRAWN BY: BECKER	PART NO: SN242	REV: A	
.000	± 0.10	CHECKED BY: VTA	SIZE: A4	UNIT:mm	SHEET:10F3
ANGLE	± 3.00°	APPROVED BY: QPF	PROJECTION		FCN: A4
MANUFACTURING COPY				http://www.vitalconn.com	

REV.	ECN. NO.	NAME	DATE



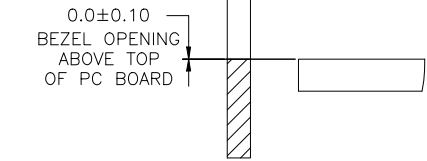
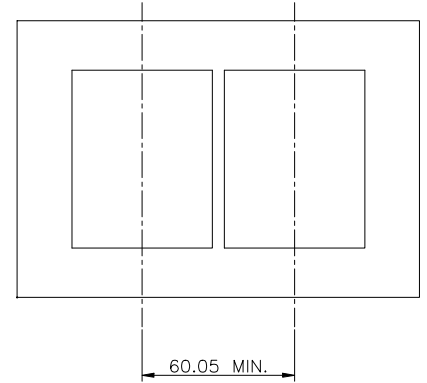
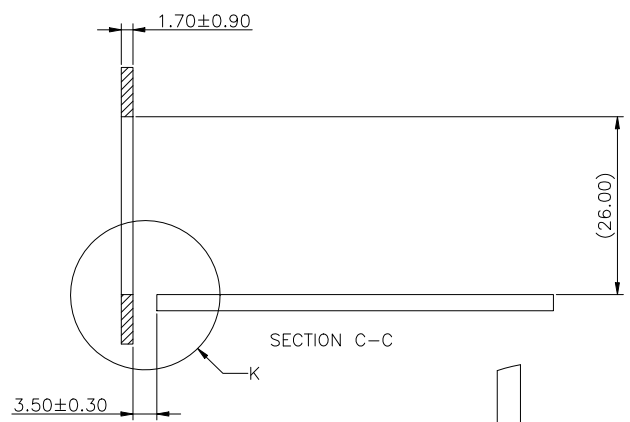
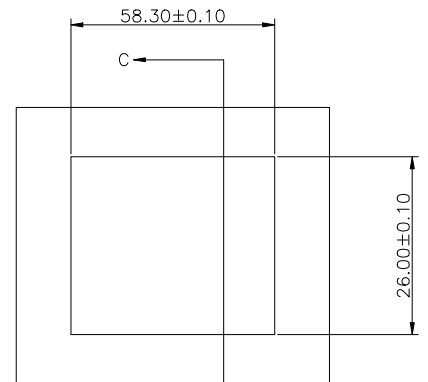
- NOTES:
1. DATUM AND BASIC DIMENSIONS ESTABLISHED BY CUSTOMER.
  2. 1.05 mm DIAMETER HOLES ARE CHASSIS GROUND (18 HOLES).

ECOMMENDED PCB CONFIGURATION

RoHS Compliant

TOLERANCE UNSPECIFIED				FOR YOUR VITAL CONNECTION	
.0	± 0.38			TITLE: SFP+2*4CAGE+ CONN	
.00	± 0.25	DRAWN BY: BECKER		PART NO: SN242	
.000	± 0.10	CHECKED BY: VTA		REV: A	
ANGLE	± 3.00°	APPROVED BY: QPF		SIZE: A4	
MANUFACTURING COPY		PROJECTION		UNIT:mm	
				SHEET:20F3	
				FCN: A4	
				<a href="http://www.vitalconn.com">http://www.vitalconn.com</a>	


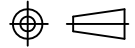
REV.	ECN. NO.	NAME	DATE



RECOMMENDED BEZEL DESIGN

DETAIL K  
2:1

RoHS Compliant

TOLERANCE UNSPECIFIED		 a vital connector company		FOR YOUR VITAL CONNECTION	
.0	± 0.38			TITLE: SFP+2*4CAGE+ CONN	
.00	± 0.25	DRAWN BY:	BECKER	PART NO:	SN242
.000	± 0.10	CHECKED BY:	VTA	SIZE: A4	UNIT:mm
ANGLE	± 3.00°	APPROVED BY:	QPF	PROJECTION	
MANUFACTURING COPY				SHEET:30F3	REV: A
				FCN: A4	<a href="http://www.vitalconn.com">http://www.vitalconn.com</a>