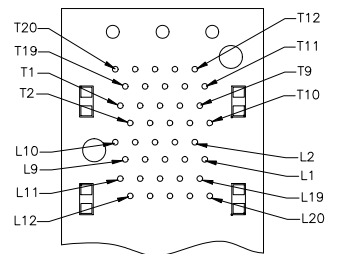
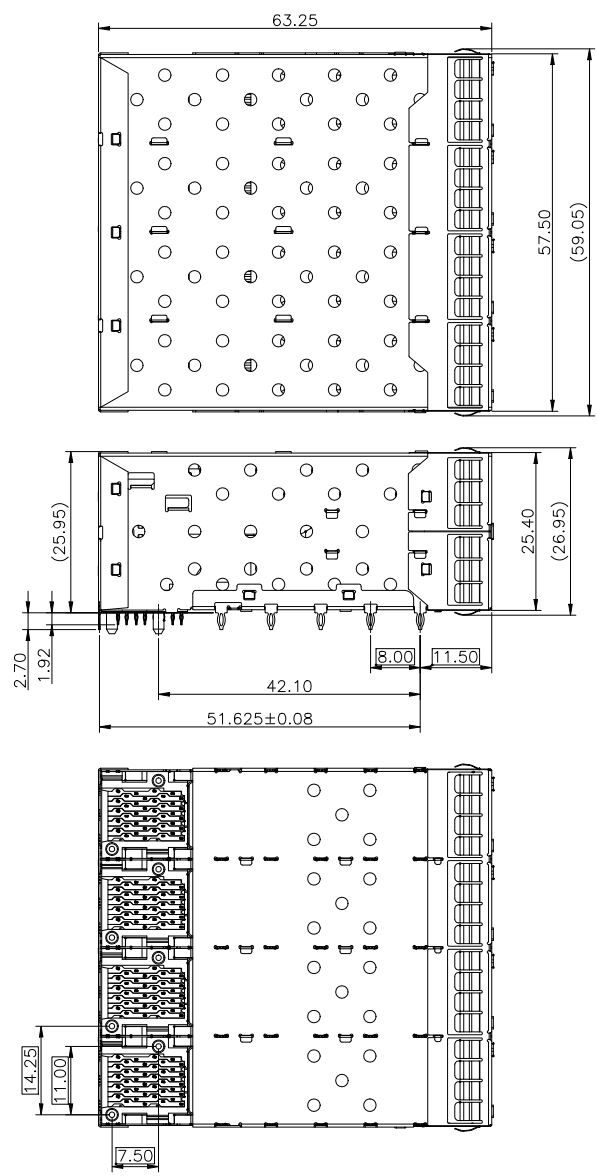
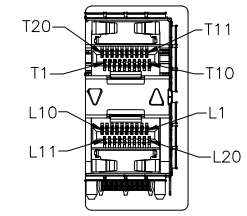
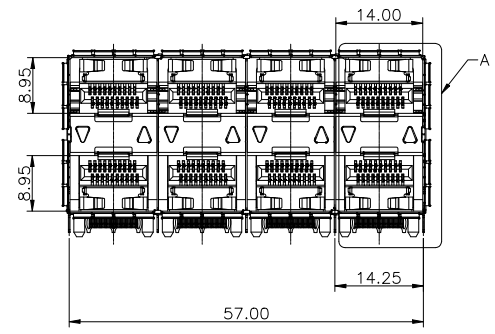


REV.	ECN. NO.	NAME	DATE



CONNECTOR PIN-OUT
COMPONENT SIDE OF BOARD



DETAIL A
1:1

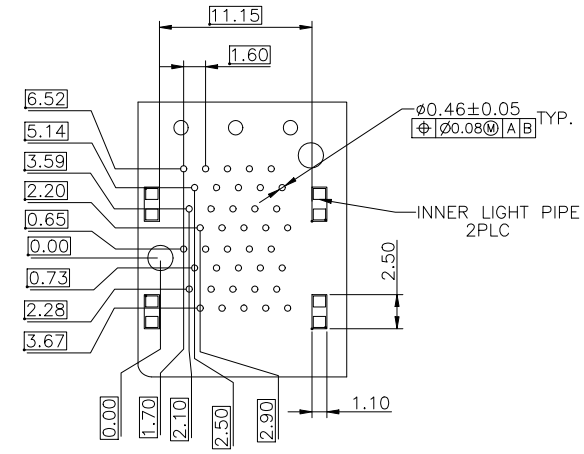
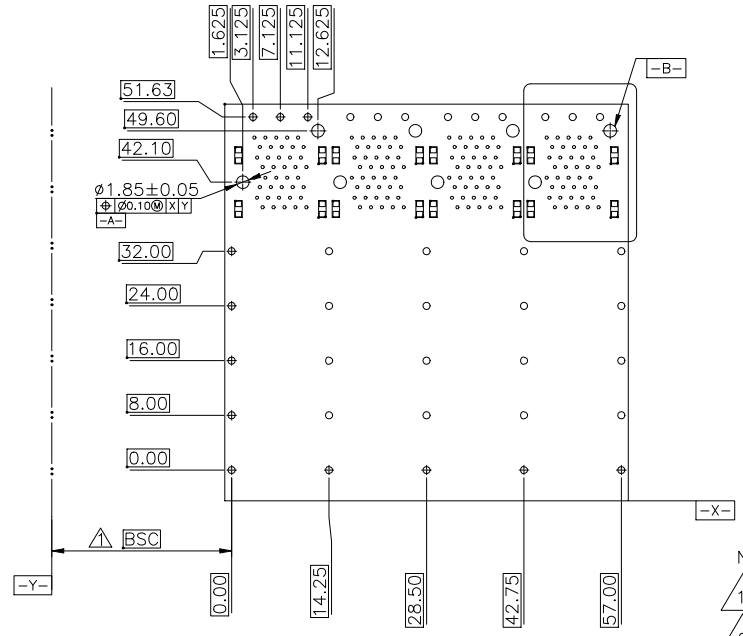
NOTES:

- MATERIAL:
CAGE: NICKEL SILVER
- CONNECTOR:
PLASTIC HOUSING: HIGH TEMPERATURE LCP, UL94 V-0.
LIGHT PIPE: POLYCARBONATE; COLOR: CLEAR
SPRING: STAINLESS STEEL
CONTACTS: PHOSPHOR BRONZE
CONTACT PLATING: 15u" MIN. GOLD ON MATING AREA,
150u" MATTE TIN ON SOLDER TAILS
- PACKAGING: TRAY PACKAGING.
- TEMPERATURE RANGE: -40°C TO +85°C

RoHS Compliant

TOLERANCE UNSPECIFIED		 a vital connector company		FOR YOUR VITAL CONNECTION	
.0	± 0.38			TITLE: SFP+2*4CAGE+ CONN	
.00	± 0.25	DRAWN BY: BECKER		PART NO: SN243	
.000	± 0.10	CHECKED BY: VTA		SIZE: A4	
ANGLE	± 3.00°	APPROVED BY: QPF		UNIT:mm	
MANUFACTURING COPY		PROJECTION		SHEET:10F3	
				REV: A	
				FCN: A4	
				 http://www.vitalconn.com	

REV.	ECN. NO.	NAME	DATE



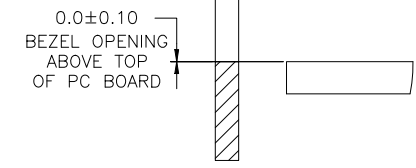
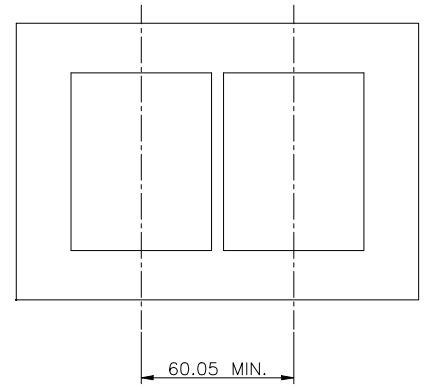
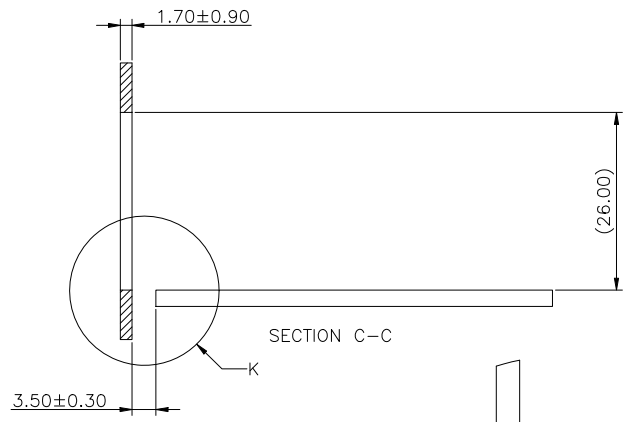
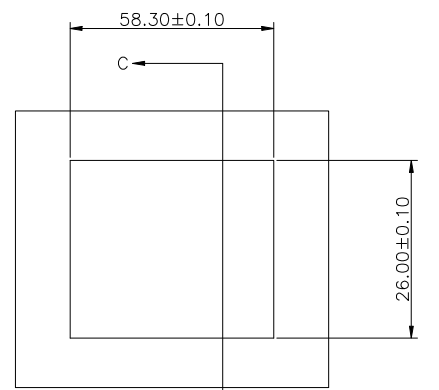
- NOTES:
1. DATUM AND BASIC DIMENSIONS ESTABLISHED BY CUSTOMER.
 2. 1.05 mm DIAMETER HOLES ARE CHASSIS GROUND (18 HOLES).

ECOMMENDED PCB CONFIGURATION

RoHS Compliant

TOLERANCE UNSPECIFIED		 VITALCONN a vital connector company		FOR YOUR VITAL CONNECTION	
.0	± 0.38			TITLE: SFP+2*4CAGE+ CONN	
.00	± 0.25	DRAWN BY:	BECKER	PART NO:	SN243
.000	± 0.10	CHECKED BY:	VTA	SIZE: A4	UNIT:mm
ANGLE	± 3.00°	APPROVED BY:	QPF	PROJECTION	
MANUFACTURING COPY				SHEET:20F3	REV: A
				FCN: A4	http://www.vitalconn.com


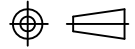
REV.	ECN. NO.	NAME	DATE



RECOMMENDED BEZEL DESIGN

DETAIL K
2:1

RoHS Compliant

TOLERANCE UNSPECIFIED		 a vital connector company		FOR YOUR VITAL CONNECTION	
.0	± 0.38			TITLE: SFP+2*4CAGE+ CONN	
.00	± 0.25	DRAWN BY:	BECKER	PART NO:	SN243
.000	± 0.10	CHECKED BY:	VTA	SIZE: A4	UNIT:mm
ANGLE	± 3.00°	APPROVED BY:	QPF	PROJECTION	SHEET:30F3
MANUFACTURING COPY					http://www.vitalconn.com
				REV: A	FCN: A4

1 2 3 4 5 6 7 8

A

A

B

B

C

C

D

D

E

E

F

F

1 2 3 4 5 6 7 8