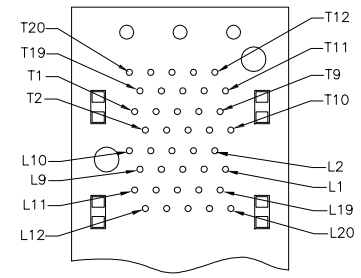
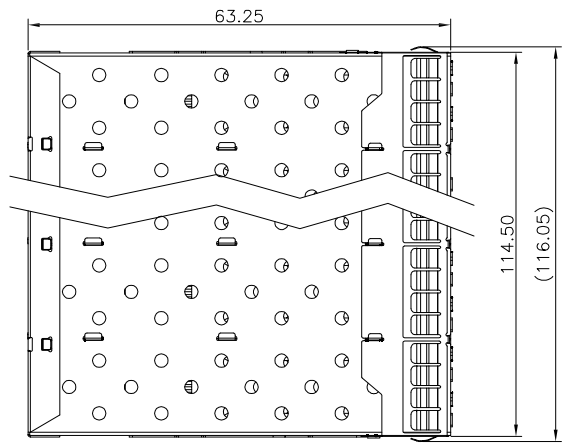
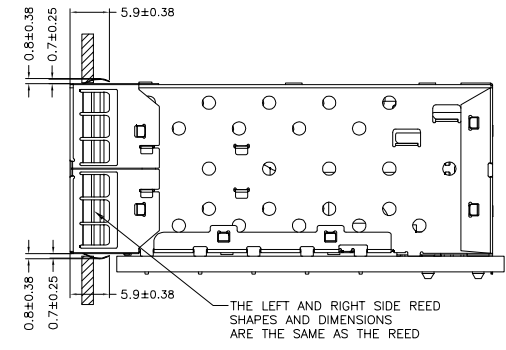


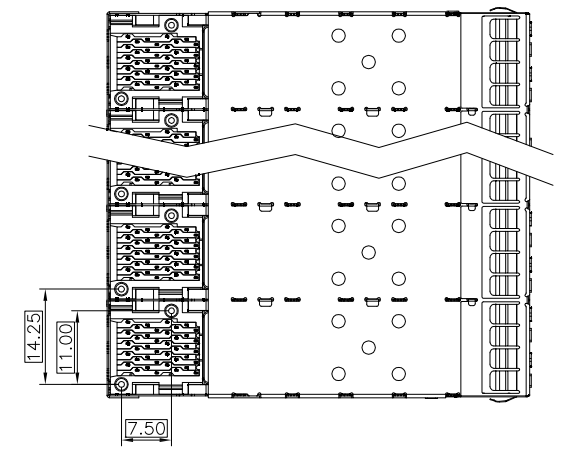
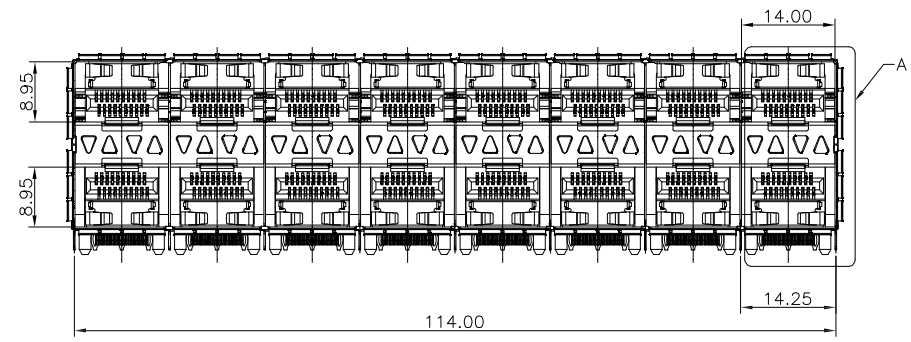
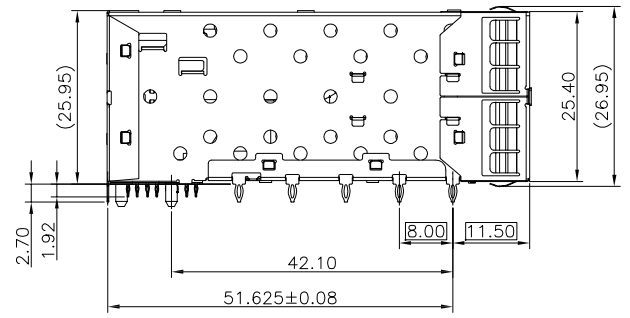
REV.	ECN. NO.	NAME	DATE



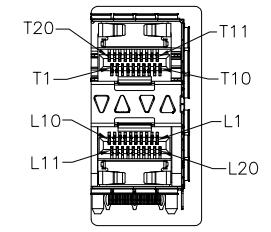
CONNECTOR PIN-OUT  
COMPONENT SIDE OF BOARD



THE LEFT AND RIGHT SIDE REED  
SHAPES AND DIMENSIONS  
ARE THE SAME AS THE REED



NOTES:  
MATERIAL:  
CAGE: COPPER ALLOY  
CONNECTOR:  
PLASTIC HOUSING: HIGH TEMPERATURE LCP, UL94 V-0.  
LIGHT PIPE: POLYCARBONATE; COLOR: CLEAR  
SPRING: STAINLESS STEEL  
CONTACTS: PHOSPHOR BRONZE  
CONTACT PLATING: 15u" MIN. GOLD ON MATING AREA,  
150u" MATTE TIN ON SOLDER TAILS  
PACKAGING: TRAY PACKAGING.  
OPERATING TEMPERATURE: -40°C TO +85°C  
STORAGE TEMPERATURE: -55°C TO +105°C

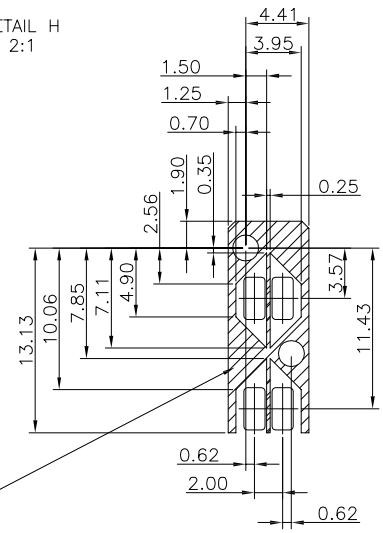
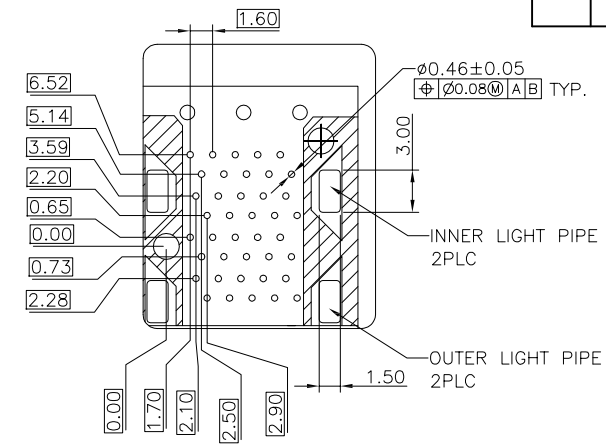
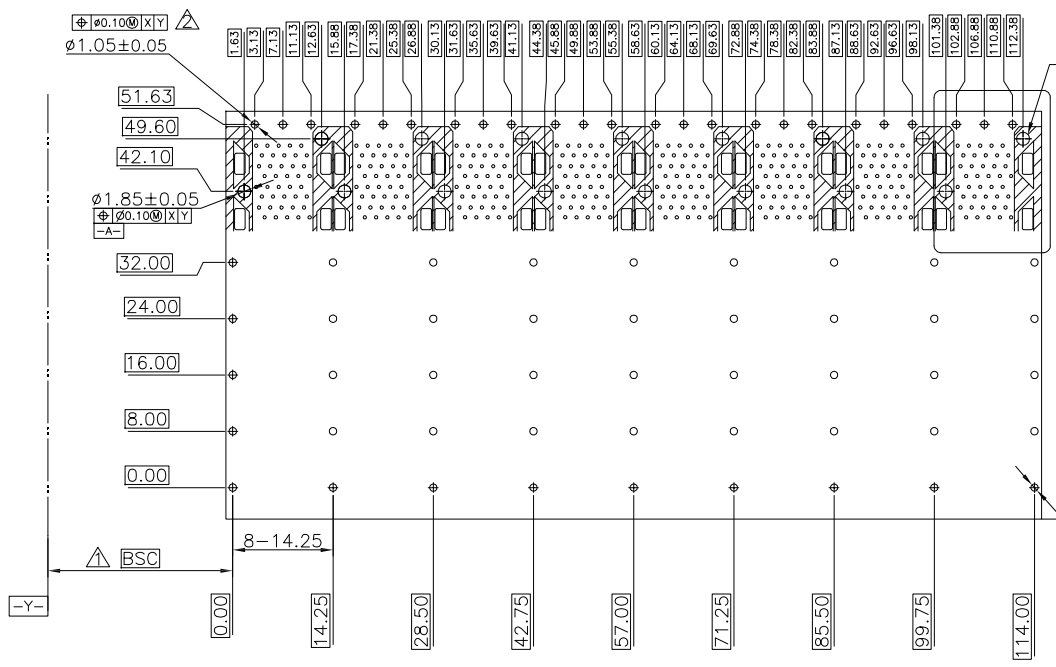


DETAIL A  
1:1

TOLERANCE UNSPECIFIED		 a vital connector company		FOR YOUR VITAL CONNECTION	
.0	± 0.38				
.00	± 0.25	TITLE: SFP+2*8 CAGE+CONN			
.000	± 0.10				
ANGLE	± 3.00°	DRAWN BY: BECKER		PART NO: SN28A	
MANUFACTURING COPY		CHECKED BY: VTA		SIZE: A4	
		APPROVED BY: QPF		PROJECTION	
				UNIT: mm	
				SHEET: 10F3	
				FCN: A4	
				 http://www.vitalconn.com	

RoHS Compliant

REV.	ECN. NO.	NAME	DATE



RECOMMENDED PCB CONFIGURATION

THE ENTIRE AREA OF THE CONNECTOR FOOTPRINT TO BE CONSIDERED THE KEEP OUT AREA FOR COMPONENTS (OTHER THAN LIGHT PIPE LED'S) THIS AREA IS INDICATED BY THE DASHED LINE

DETAIL LIGHT PIPE LOCATION AND OTHER ZONES  
DETAIL K  
2:1

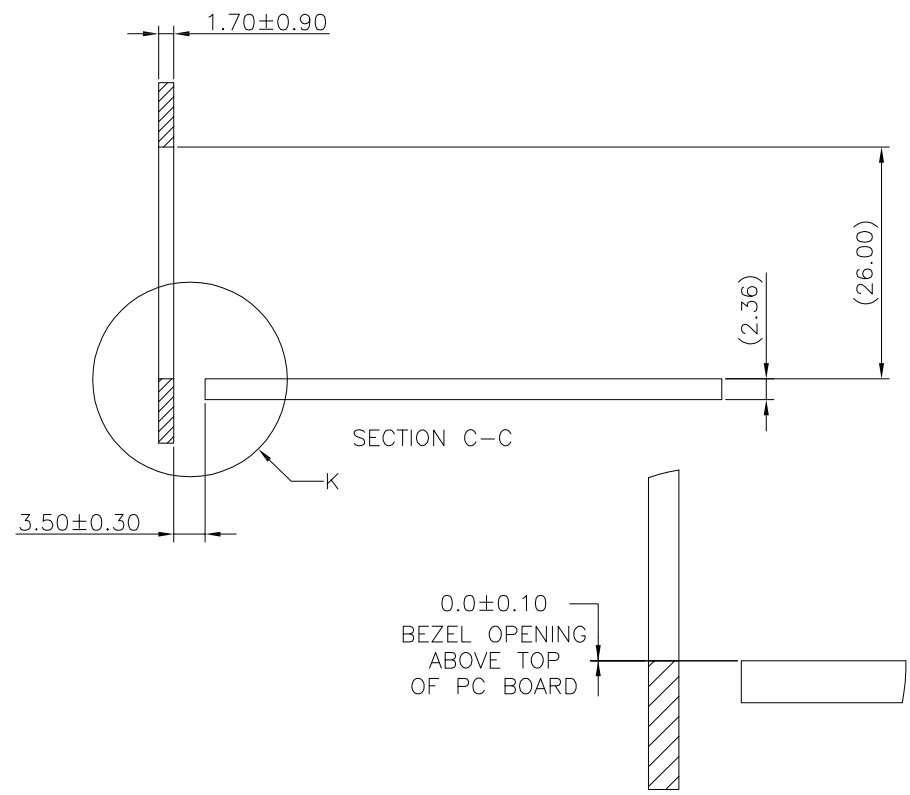
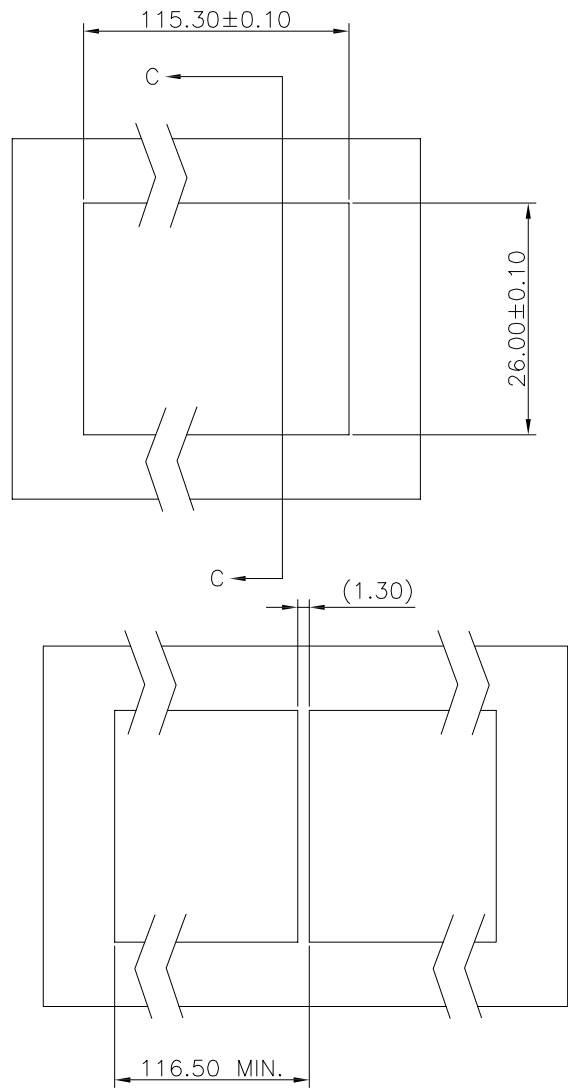
NOTES:

- DATUM AND BASIC DIMENSIONS ESTABLISHED BY CUSTOMER.
- 1.05 mm DIAMETER HOLES ARE CHASSIS GROUND.

RoHS Compliant

TOLERANCE UNSPECIFIED		 a vital connector company		FOR YOUR VITAL CONNECTION			
.0	± 0.38						
.00	± 0.25	TITLE: SFP+2*8 CAGE+CONN					
.000	± 0.10						
ANGLE	± 3.00°	DRAWN BY:	BECKER	PART NO:	SN28A	REV: A	
MANUFACTURING COPY		CHECKED BY:	VTA	SIZE: A4	UNIT: mm	SHEET: 20F3	FCN: A4
		APPROVED BY:	QPF	PROJECTION		http://www.vitalconn.com	

REV.	ECN. NO.	NAME	DATE



RECOMMENDED BEZEL DESIGN

RoHS Compliant

TOLERANCE UNSPECIFIED		 a vital connector company		FOR YOUR VITAL CONNECTION	
.0	± 0.38			TITLE: SFP+2*8 CAGE+CONN	
.00	± 0.25	DRAWN BY: BECKER		PART NO: SN28A	
.000	± 0.10	CHECKED BY: VTA		REV: A	
ANGLE	± 3.00°	APPROVED BY: QPF		SIZE: A4	
MANUFACTURING COPY		PROJECTION		UNIT: mm	
				SHEET:30F3	
				FCN: A4	
				 <a href="http://www.vitalconn.com">http://www.vitalconn.com</a>	