

MIPI® DSI BRIDGE to eDP

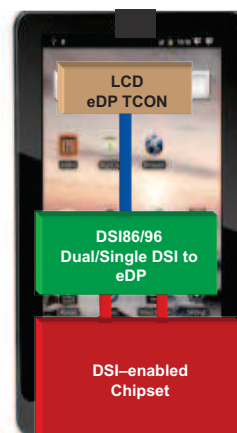
Check for Samples: [SN65DSI86](#) , [SN65DSI96](#)

FEATURES

- Embedded DisplayPort (eDP) 1.4 Compliant Supporting 1, 2, or 4 Lanes at 1.62Gbps (RBR), 2.7Gbps (HBR), or 5.4Gbps (HBR2).
- Implements MIPI® D-PHY Version 1.1 Physical Layer Front-End and Display Serial Interface (DSI) Version 1.02.00
- Dual Channel DSI Receiver Configurable for One, Two, Three, or Four D-PHY Data Lanes Per Channel Operating up to 1.5Gbps Per Lane
- Supports 18 bpp and 24 bpp DSI Video Packets with RGB666 and RGB888 Formats
- Suitable for 60fps 4K 4096x2304 Resolution at 18bpp Color, and WUXGA 1920x1200 Resolution with 3D Graphics at 60fps (120fps Equivalent)
- MIPI® Front-End Configurable for Single-Channel or Dual-Channel DSI Configuration
- Supports Dual Channel DSI ODD/EVEN and LEFT/RIGHT Operating Modes
- 1.2V Main VCC Power Supply and 1.8V supply for Digital I/Os
- Low Power Features Include Panel Refresh and MIPI® Ultra-Low Power State (ULPS) Support
- DisplayPort Lane Polarity and assignment configurable.
- Supports 12MHz, 19.2MHz, 26MHz, 27MHz, and 38.4MHz REFCLK
- Adaptive content management and backlight PWM control enabling optimal user viewing experience in both low and bright ambient light environments available in SN65DSI96.
- ESD Rating ± 4 kV (HBM)
- Packaged in 64-pin 5x5mm PBGA (ZQE)
- Temperature Range: -40°C to 85°C

APPLICATIONS

- Tablet PC, Notebook PC, Netbooks
- Mobile Internet Devices



DESCRIPTION

The SN65DSI86/96 DSI to embedded DisplayPort (eDP) bridge features a dual-channel MIPI® D-PHY receiver front-end configuration with 4 lanes per channel operating at 1.5Gbps per lane; a maximum input bandwidth of 12Gbps. The bridge decodes MIPI® DSI 18bpp RGB666 and 24bpp RGB888 packets and converts the formatted video data stream to a DisplayPort with up to four lanes at either 1.62Gbps, 2.16Gbps, 2.43Gbps, 2.7Gbps, 3.24Gbps, 4.32Gbps, or 5.4Gbps.

The SN65DSI86/96 is well suited for WQXGA at 60 frames per second, as well as 3D Graphics at 4K and True HD (1920x1080) resolutions at an equivalent 120fps with up to 24 bits-per-pixel. Partial line buffering is implemented to accommodate the data stream mismatch between the DSI and DisplayPort interfaces.

Integrated into the SN65DSI96 is an adaptive content management and backlight PWM control called *Assertive Display*®. The purpose of the *Assertive Display*® core is to optimize the viewing experience on a multimedia display as a function of viewing environment. It provides coherent management of the multimedia viewing experience from total darkness to bright ambient light conditions enabling the display to operate at reduced power and in bright sunshine.



Please be aware that an important notice concerning availability, standard warranty, and use in critical applications of Texas Instruments semiconductor products and disclaimers thereto appears at the end of this data sheet.

Assertive Display is a registered trademark of Apical.
MIPI is a registered trademark of Arasan Chip Systems, Inc.
MIPI is a registered trademark of MIPI Alliance, Inc.

UNLESS OTHERWISE NOTED this document contains PRODUCTION DATA information current as of publication date. Products conform to specifications per the terms of Texas Instruments standard warranty. Production processing does not necessarily include testing of all parameters.

Copyright © 2013, Texas Instruments Incorporated



These devices have limited built-in ESD protection. The leads should be shorted together or the device placed in conductive foam during storage or handling to prevent electrostatic damage to the MOS gates.

DESCRIPTION (CONTINUED)

Designed with industry compliant interface technology, the SN65DSI86/96 is compatible with a wide range of micro-processors, and is designed with a range of power management features including Panel Refresh Support, and the MIPI® defined ultra-low power state (ULPS) support.

The SN65DSI86/96 is implemented in a small outline 5x5mm PBGA at 0.5mm pitch package, and operates across a temperature range from -40°C to 85°C.

In the rest of this document, the SN65DSI86/96 will be referred to as SN65DSIX6. Anytime SN65DSI86 or SN65DSI96 is used then that particular sentence and/or feature only refers to that specific part.

FUNCTIONAL DESCRIPTION

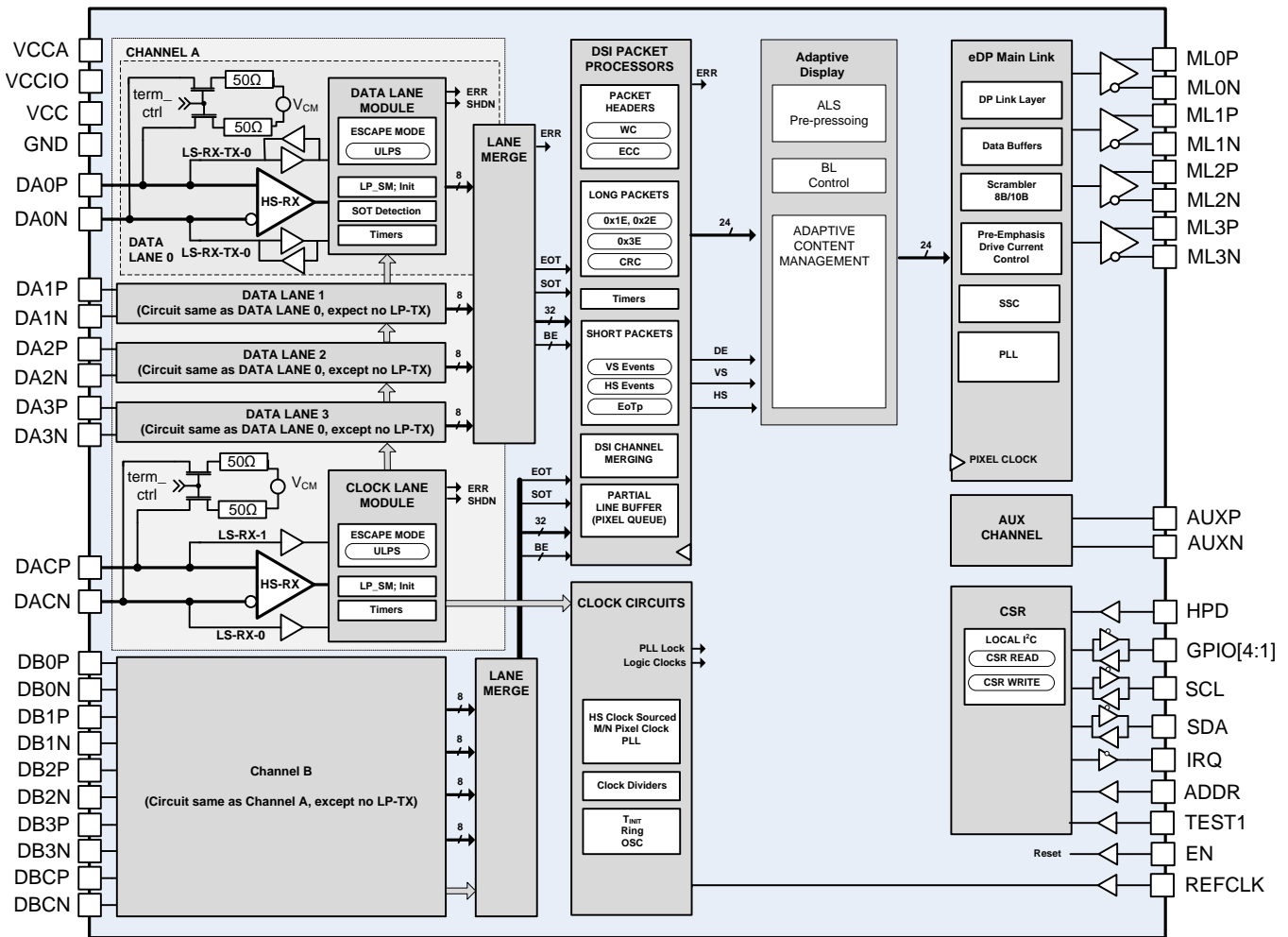
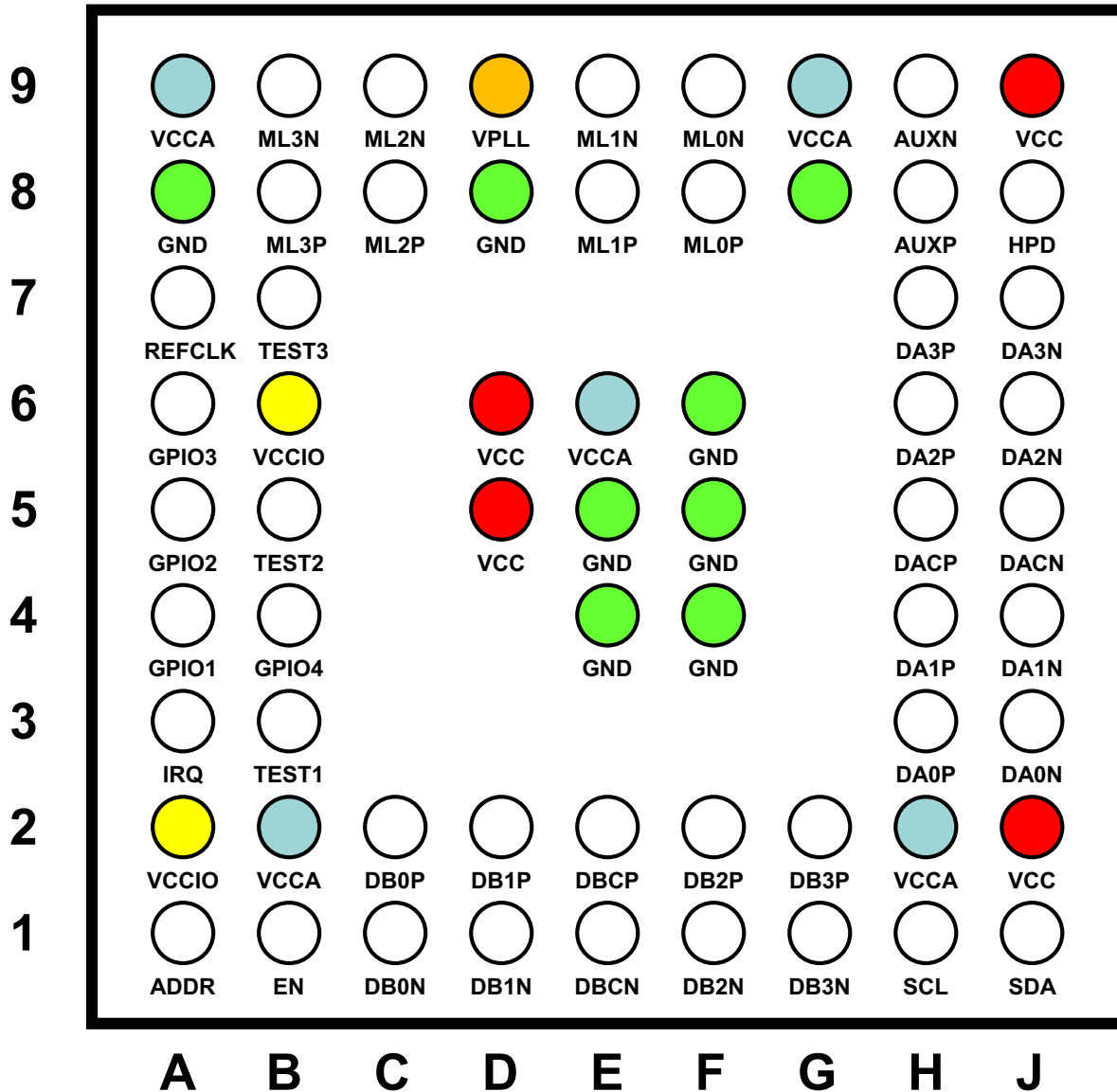


Figure 1. Functional Block Diagram

ZQE PACKAGE

SN65DSIX6 (Top View)



To minimize the power supply noise floor, provide good decoupling near the SN65DSIX6 power pins. The use of four ceramic capacitors (2x 0.1 μ F and 2x 0.1 μ F) provides good performance. At the very least, it is recommended to install one 0.1 μ F and one 0.01 μ F capacitor near the SN65DSIX6. To avoid large current loops and trace inductance, the trace length between decoupling capacitor and device power inputs pins must be minimized. Placing the capacitor underneath the SN65DSIX6 on the bottom of the PCB is often a good choice.

Note: The power supplies VPLL, VCCIO, VCCA, and VCC, can be applied simultaneously.

PIN FUNCTIONS

PIN		I/O	DESCRIPTION
SIGNAL	NO		
DA0P/N	H3, J3	LVDS Input (HS) CMOS Input/Output (LS)	MIPI® D-PHY Channel A Data Lane 0; data rate up to 1.5Gbps.

PIN FUNCTIONS (continued)

PIN		I/O	DESCRIPTION
SIGNAL	NO		
DA1P/N	H4, J4	LVDS Input (HS) CMOS Input (LS) (Failsafe)	MIPI® D-PHY Channel A Data Lane 1; data rate up to 1.5Gbps.
DA2P/N	H6, J6	LVDS Input (HS) CMOS Input (LS) (Failsafe)	MIPI® D-PHY Channel A Data Lane 2; data rate up to 1.5Gbps
DA3P/N	H7, J7	LVDS Input (HS) CMOS Input (LS) (Failsafe)	MIPI® D-PHY Channel A Data Lane 3; data rate up to 1.5Gbps.
DACP/N	H5, J5	LVDS Input (HS) CMOS Input (LS) (Failsafe)	MIPI® D-PHY Channel A Clock Lane; operates up to 750MHz. Under proper conditions, this clock can be used instead of REFCLK to feed DisplayPort PLL.
DB0P/N	C2, C1	LVDS Input (HS) CMOS Input (LS) (Failsafe)	MIPI® D-PHY Channel B Data Lane 0; data rate up to 1.5Gbps.
DB1P/N	D2, D1	LVDS Input (HS) CMOS Input (LS) (Failsafe)	MIPI® D-PHY Channel B Data Lane 1; data rate up to 1.5Gbps.
DB2P/N	F2, F1	LVDS Input (HS) CMOS Input (LS) (Failsafe)	MIPI® D-PHY Channel B Data Lane 2; data rate up to 1.5Gbps.
DB3P/N	G2, G1	LVDS Input (HS) CMOS Input (LS) (Failsafe)	MIPI® D-PHY Channel B Data Lane 3; data rate up to 1.5Gbps.
DBCP/N	E2, E1	LVDS Input (HS) CMOS Input (LS) (Failsafe)	MIPI® D-PHY Channel B Clock Lane; operates up to 750MHz.
ML0P/N	F8, F9	LVDS output (DP)	DisplayPort Lane 0 transmit differential pair. Supports 1.62Gbps, 2.16Gbps, 2.43Gbps, 2.7Gbps, 3.24Gbps, 4.32Gbps, and 5.4Gbps. All DisplayPort lanes transmit at the same data rate.
ML1P/N	E8, E9	LVDS output (DP)	DisplayPort Lane 1 transmit differential pair. Supports 1.62Gbps, 2.16Gbps, 2.43Gbps, 2.7Gbps, 3.24Gbps, 4.32Gbps, and 5.4Gbps. All DisplayPort lanes transmit at the same data rate.
ML2P/N	C8, C9	LVDS output (DP)	DisplayPort Lane 2 transmit differential pair. Supports 1.62Gbps, 2.16Gbps, 2.43Gbps, 2.7Gbps, 3.24Gbps, 4.32Gbps, and 5.4Gbps. All DisplayPort lanes transmit at the same data rate.
ML3P/N	B8, B9	LVDS output (DP)	DisplayPort Lane 3 transmit differential pair. Supports 1.62Gbps, 2.16Gbps, 2.43Gbps, 2.7Gbps, 3.24Gbps, 4.32Gbps, and 5.4Gbps. All DisplayPort lanes transmit at the same data rate.
AUXP/N	H8, H9	LVDS I/O	Aux Channel Differential Pair.
TEST1	B3	CMOS Input with internal pulldown.	Used for Texas Instruments internal use only. This pin must be left unconnected or tied to ground.
TEST2	B5	CMOS Input/Output with internal pulldown	Used for internal test, HBR2 Compliance Eye, and Symbol Error Rate Measurement pattern. For normal operation this pin should be pull-down to GND or left unconnected. Refer to DP Training and Compliance Patterns for information on HBR2 Compliance Eye and Symbol Error Rate Measurement patterns.
EN	B1	CMOS Input (Failsafe)	Chip Enable and Reset. Device is reset (shutdown) when EN is low. De-assertion (low) of EN will cause all internal CSRs and functions to be reset to default state.
SCL	H1	OpenDrain Input/Output (Failsafe)	Local I ² C Interface Clock. .
SDA	J1	OpenDrain Input/Output (Failsafe)	Local I ² C Interface Bi-directional Data Signal.
IRQ	A3	CMOS Output	Interrupt Signal.

PIN FUNCTIONS (continued)

PIN		I/O	DESCRIPTION
SIGNAL	NO		
REFCLK	A7	Input	REFCLK. Frequency determined by value programmed in I2C register or value of GPIO[3:1] latched at rising edge of EN. Supported frequencies are: 12MHz, 19.2MHz, 26MHz, 27MHz, and 38.4MHz. This pin must be tied to GND when DACP/N feeds the DisplayPort PLL
GPIO[4:1]	B4, A6, A5, A4	CMOS Input/Output	General Purpose I/O. Refer to GENERAL PURPOSE INPUT AND OUTPUTS for details on GPIO functionality. When these pins are set high, they should be tied to the same 1.8V power rail where the SN65DSI8X VCCIO 1.8V power rail is connected.
HPD	J8	CMOS Input with internal pulldown. (Failsafe)	HPD input. This input requires a 51K 1% series resistor.
ADDR	A1	CMOS Input/Output	Local I ² C Interface Target Address Select. See Table 5. In normal operation, this pin is an input. When the ADDR pin is programmed high, it should be tied to the same 1.8 V power rails where the SN65DSI8X VCCIO 1.8 V power rail is connected.
TEST3	B7	NA	Used for Texas Instruments internal use only. This pin must be left unconnected or tied to GND through a 0.1uF capacitor.
VCCA	A9, G9, E6, B2, H2	Power Supply	1.2V Power Supply for Analog Circuits. AVCC and VCC can be applied simultaneously.
VCC	D6, D5, J2, J9	Power Supply	1.2V Power Supply for digital core
VPLL	D9	Power Supply	1.8V Power Supply for DisplayPort PLL
VCCIO	B6, A2	Power Supply	1.8V Power Supply for Digital I/O
GND	A8, D8, E4, E5, F4, F5, F6, G8	Power Supply	Reference Ground for Digital and Analog Circuits.

ORDERING INFORMATION⁽¹⁾

PART NUMBER	PART MARKING	PACKAGE / SHIPPING
SN65DSI86ZQER	DSI86	64-Ball PBGA / Reel
SN65DSI86ZQET	DSI86	64-Ball PBGA / Small Quantity Tape
SN65DSI96ZQER ⁽²⁾	DSI96	64-Ball PBGA / Reel
SN65DSI96ZQET ⁽²⁾	DSI96	64-Ball PBGA / Small Quantity Tape

(1) For the most current package and ordering information, see the TI web site at www.ti.com.

(2) Product Preview

ABSOLUTE MAXIMUM RATINGS

over operating free-air temperature range (unless otherwise noted) ⁽¹⁾

		MIN	MAX	UNIT
Supply voltage range	V _{CCA} , V _{CC}	-0.3	1.3	V
	V _{CCIO} , V _{PLL}	-0.3	2.175	
Input voltage range	All input terminals	-0.5	2.175	V
Storage temperature	T _S	-65	105	°C
Electrostatic discharge	Human Body Model ⁽²⁾		±4	kV
	Charged-device model ⁽³⁾		±500	V

(1) Stresses beyond those listed under absolute maximum ratings may cause permanent damage to the device. These are stress ratings only and functional operation of the device at these or any conditions beyond those indicated under recommended operating conditions is not implied. Exposure to absolute-maximum-rated conditions for extended periods may affect device reliability.

(2) Tested in accordance with JEDEC Standard 22, Test Method A114-B

(3) Tested in accordance with JEDEC Standard 22, Test Method C101-A

THERMAL INFORMATION

		ZQE TYPICAL	UNIT
Θ_{JB}	Junction-to-board thermal resistance	32.9	°C/W
Θ_{JCT}	Junction-to-case-top thermal resistance	35.7	
Ψ_{JB}	Junction-to-board thermal resistance metric	High-K board ⁽¹⁾	35.8
Ψ_{JT}	Junction-to-top thermal resistance metric	High-K board ⁽¹⁾	1.0

(1) Test conditions for Ψ_{JB} and Ψ_{JT} are clarified in TI document [SPRA953A](#), IC Package Thermal Metrics.

RECOMMENDED OPERATING CONDITIONS

over operating free-air temperature range (unless otherwise noted)

		MIN	NOM	MAX	UNIT
V_{CCA}	VCCA Power supply; analog circuits	1.14	1.2	1.26	V
V_{CC}	VCC Power supply; digital circuits	1.14	1.2	1.26	V
V_{CCIO}	VCCIO Power Supply; digital IOs.	1.65	1.8	1.98	V
V_{PLL}	VPLL Power Supply, DisplayPort PLL	1.65	1.8	1.98	V
V_{PSN}	Supply noise on any VCC terminal	$f_{(noise)} > 1\text{MHz}$		0.05	V
T_A	Operating free-air temperature	-40		85	°C
T_J	Operating junction temperature	-40		105	°C
T_{CASE}	Case temperature			92.2	°C
V_{DSI_PIN}	DSI input pin voltage range	-50		1350	mV
$f_{(I2C)}$	Local I ² C input frequency			400	kHz
f_{HS_CLK}	DSI HS clock input frequency	40		750	MHz
Z_L	DP output differential load impedance	90		110	Ω

DC ELECTRICAL CHARACTERISTICS

over operating free-air temperature range (unless otherwise noted)

PARAMETER		TEST CONDITIONS	MIN	TYP ⁽¹⁾	MAX	UNIT
Standard IO (TEST1, TEST2, ADDR, SCL, SDA, IRQ, REFCLK, EN, GPIO[4:1])						
V _{IL}	Low-level control signal input voltage				0.3 x V _{CCIO}	V
V _{IH}	High-level control signal input voltage		0.7 x V _{CCIO}			V
V _{OH}	High-level output voltage	I _{OH} = -2 mA	1.3			V
V _{OL}	Low-level output voltage	I _{OL} = 2 mA			0.4	V
I _{IH}	High level input current	Any input terminal			±5	µA
I _{IL}	Low level input current					
I _{OZ}	High-impedance output current	Any output terminal			±10	µA
I _{OS}	Short-circuit output current	Any output driving GND short			±2	mA
I _{CCA}	V _{CCA} Device active current	V _{CCA} = 1.2 V ⁽²⁾		70	126	mA
I _{CC}	V _{CC} Device active current	V _{CCA} = 1.2 V ⁽²⁾		43	52	mA
I _{CCIO}	V _{CCIO} and V _{PLL} Device Active Current	V _{CCIO} = 1.8 V V _{PLL} = 1.8 V ⁽²⁾		32	32	mA
I _{SUSPEND_CCA}	V _{CCA} Device SUSPEND current	All data and clock lanes are in ultra-low power state (ULPS) and SUSPEND = 1		9.8		mA
I _{SUSPEND_CC}	V _{CC} Device SUSPEND current	All data and clock lanes are in ultra-low power state (ULPS) and SUSPEND = 1		9		mA
I _{SUSPEND_CCIO}	V _{CCIO} and V _{PLL} Device SUSPEND current	All data and clock lanes are in ultra-low power state (ULPS) and SUSPEND = 1		1.16		mA
I _{EN_CCA}	V _{CCA} SHUTDOWN current	EN = 0		0.95		mA
I _{EN_CC}	V _{CC} SHUTDOWN current	EN = 0		2		mA
I _{EN_CCIO}	V _{CCIO} and V _{PLL} SHUTDOWN current	EN = 0		0.038		mA
R _{EN}	EN control input resistor			150		kΩ
ADDR, EN, SCL, SDA, HPD, DBP/N[3:0], DAP/N[3:1], DBCP/N, DACP/N						
I _{LEAK}	Input failsafe leakage current	V _{CC} = 0; V _{CCIO} = 0V. Input pulled up to V _{CCIO} max. DSI inputs pulled up to 1.3V	-40		40	µA
MIPI DSI INTERFACE						
V _{IH-LP}	LP receiver input high threshold	See Figure 3	880			mV
V _{IL-LP}	LP receiver input low threshold				550	
V _{OH-LP}	LP transmitter High-level Output Voltage		1100		1300	mV
V _{OL-LP}	LP transmitter Low-Level Output Voltage		-50		50	mV
V _{ID}	HS differential input voltage		70		270	mV
V _{IDT}	HS differential input voltage threshold				50	mV
V _{IL-ULPS}	LP receiver input low threshold; ultra-low power state (ULPS)				300	mV
V _{CM-HS}	HS common mode voltage; steady-state		70		330	mV
ΔV _{CM-HS}	HS common mode peak-to-peak variation including symbol delta and interference				100	mV
V _{IH-HS}	HS single-ended input high voltage	See Figure 3			460	mV
V _{IL-HS}	HS single-ended input low voltage			-40		
V _{TERM-EN}	HS termination enable; single-ended input voltage (both Dp AND Dn apply to enable)	Termination is switched simultaneous for Dn and Dp			450	mV
R _{DIFF-HS}	HS mode differential input impedance		80		125	Ω

 (1) All typical values are at V_{CC} = 1.2V, V_{CCA} = 1.2V, V_{CCIO} = 1.8V, and V_{PLL} = 1.8V and T_A = 25°C

(2) Maximum condition: WQXGA 60fps Dual-Link 2xDP at HBR2, PLL enabled; typical condition: WUXGA 60fps 1xDP at HBR2, PLL enabled

DC ELECTRICAL CHARACTERISTICS (continued)

over operating free-air temperature range (unless otherwise noted)

PARAMETER		TEST CONDITIONS	MIN	TYP ⁽¹⁾	MAX	UNIT
DisplayPort MAIN LINK						
V _{TX_DC_CM}	Output common mode voltage`		0		2	V
V _{TX_AC_CM_HBR_RBR}	TX AC common mode voltage for HBR and RBR.				20	mVRMS
V _{TX_AC_CM_HBR2}	TX AC common mode voltage for HBR2				30	mVRMS
V _{TX_DIFFPP_LVL0}	Differential peak-to-peak output voltage level 0	Based on default state of V0_P0_VOD register	300	400	460	mV
V _{TX_DIFFPP_LVL1}	Differential peak-to-peak output voltage level 1	Based on default state of V1_P0_VOD register	450	600	690	mV
V _{TX_DIFFPP_LVL2}	Differential peak-to-peak output voltage level 2	Based on default state of V2_P0_VOD register	600	800	920	mV
V _{TX_DIFFPP_LVL3}	Differential peak-to-peak output voltage level 3	Based on default state of V3_P0_VOD register. Level 3 is not enabled by default.	600	800	920	mV
V _{TX_PRE_RATIO_0}	Pre-emphasis Level 0		0	0	0	dB
V _{TX_PRE_RATIO_1}	Pre-emphasis Level 1		2.8	3.5	4.2	dB
V _{TX_PRE_RATIO_2}	Pre-emphasis Level 2		4.8	6.0	7.2	dB
V _{TX_PRE_RATIO_3}	Pre-emphasis Level 3	Level 3 is not enabled by default.	4.8	6.0	7.2	dB
V _{TX_PRE_POST2_RATIO_0}	Post-Cursor2 Level 0		0	0	0	dB
V _{TX_PRE_POST2_RATIO_1}	Post-Cursor2 Level 1		-1.1	-0.9	-0.7	dB
V _{TX_PRE_POST2_RATIO_2}	Post-Cursor2 Level 2		-2.3	-1.9	-1.5	dB
V _{TX_PRE_POST2_RATIO_3}	Post-Cursor2 Level 3	Level 3 is not enabled by default.	-3.7	-3.1	-2.5	dB
I _{TX_SHORT}	TX short circuit current limit				50	mA
R _{TX_DIFF}	Differential Impedance		80	100	120	Ω
C _{AC_COUPLING}	AC Coupling Capacitor		75		200	nF
DisplayPort HPD						
V _{HPD_PLUG}	Hot Plug Detection Threshold	Measured at 51K series resistor.	2.2			V
V _{HPD_UNPLUG}	Hot Unplug Detection Threshold	Measured at 51K series resistor.			0.8	V
R _{HPDPD}	HPD internal pulldown resistor		51	60	69	kΩ
DisplayPort AUX INTERFACE						
V _{AUX_DIFF_PP_TX}	Peak-to-Peak differential voltage at transmit pins	$V_{AUX_DIFF_PP} = 2 \times V_{AUXP} - V_{AUXN} $	0.18		1.38	V
V _{AUX_DIFF_PP_RX}	Peak-to-Peak differential voltage at receive pins	$V_{AUX_DIFF_PP} = 2 \times V_{AUXP} - V_{AUXN} $	0.14		1.36	V
R _{AUX_TERM}	AUX Channel termination DC resistance			100		Ω
V _{AUX_DC_CM}	AUX Channel DC common mode voltage		0		1.2	V
V _{AUX_TURN_CM}	AUX Channel turnaround common-mode voltage				0.3	V
I _{AUX_SHORT}	AUX Channel short circuit current limit				90	mA
C _{AUX}	AUX AC-coupling capacitor		75		200	nF

SWITCHING CHARACTERISTICS

over operating free-air temperature range (unless otherwise noted)

PARAMETER		TEST CONDITIONS	MIN	TYP ⁽¹⁾	MAX	UNIT
MIPI DSI INTERFACE						
t_{GS}	DSI LP glitch suppression pulse width				300	ps
$T_{HS-SETUP}$	DSI HS Data to Clock Setup Time		0.2			UI
$T_{HS-HOLD}$	DSI HS Clock to Data Hold Time		0.2			UI
DisplayPort MAIN LINK						
F_{BR7}	Bit Rate 7		5.37138	5.4	5.40162	Gbps
F_{BR6}	Bit Rate 6		4.297104	4.32	4.321296	Gbps
F_{BR5}	Bit Rate 5		3.222828	3.24	3.240972	Gbps
F_{BR4}	Bit Rate 4		2.68569	2.7	2.70081	Gbps
F_{BR3}	Bit Rate 3		2.417121	2.43	2.430729	Gbps
F_{BR2}	Bit Rate 2		2.148552	2.16	2.160648	Gbps
F_{BR1}	Bit Rate 1		1.611414	1.62	1.620486	Gbps
U_{IBR7}	Unit Interval for BR7	High Limit = +300ppm. Low Limit = -5300ppm		185		ps
U_{IBR6}	Unit Interval for BR6	High Limit = +300ppm. Low Limit = -5300ppm		231.5		ps
U_{IBR5}	Unit Interval for BR5	High Limit = +300ppm. Low Limit = -5300ppm		308.6		ps
U_{IBR4}	Unit Interval for BR4	High Limit = +300ppm. Low Limit = -5300ppm		370.4		ps
U_{IBR3}	Unit Interval for BR3	High Limit = +300ppm. Low Limit = -5300ppm		411.5		ps
U_{IBR2}	Unit Interval for BR2	High Limit = +300ppm. Low Limit = -5300ppm		463		ps
U_{IBR1}	Unit interval for BR1	High Limit = +300ppm. Low Limit = -5300ppm		617.3		ps
T_{ERC_L0}	Differential output rise/fall time with DP_ERC set to 0		50	61	80	ps
T_{ERC_L1}	Differential output rise/fall time with DP_ERC set to 1		74	95	115	ps
T_{ERC_L2}	Differential output rise/fall time with DP_ERC set to 2		108	123	146	ps
T_{ERC_L3}	Differential output rise/fall time with DP_ERC set to 3		136	153	168	ps
$T_{TX_RISE_FALL_MISMATCH}$	Lane Intra-pair output skew at TX pins				5	%
T_{INTRA_SKEW}	Intra-pair differential skew				20	ps
T_{INTER_SKEW}	Inter-pair differential skew				100	ps
$T_{TX_EYE_HBR2}$	Minimum TX Eye Width at TX package pins for HBR2 ⁽²⁾		0.73			U_{HBR2}
$T_{TX_EYE_MED_TO_MAX_JIT_HBR2}$	Maximum time between the jitter median and maximum deviation from the median at TX package pins for HBR2 ⁽²⁾				0.135	U_{HBR2}
$T_{TX_EYE_HBR}$	Minimum TX Eye Width at TX package pins for HBR ⁽²⁾		0.72			U_{HBR}
$T_{TX_EYE_MED_TO_MAX_JIT_HBR}$	Maximum time between the jitter median and maximum deviation from the median at TX package pins for HBR ⁽²⁾				0.147	U_{HBR}

 (1) All typical values are at $V_{CC} = 1.2\text{ V}$ and $T_A = 25^\circ\text{C}$

(2) BR refers to BR1; HBR refers to BR; HBR2 refers to BR7.

SWITCHING CHARACTERISTICS (continued)

over operating free-air temperature range (unless otherwise noted)

PARAMETER	TEST CONDITIONS	MIN	TYP ⁽¹⁾	MAX	UNIT
$T_{TX_EYE_RBR}$	Minimum TX Eye Width at TX package pins for RBR ⁽²⁾	0.82			UI _{RBR}
$T_{TX_EYE_MED_TO_MAX_JIT_RBR}$	Maximum time between the jitter median and maximum deviation from the median at TX package pins for RBR ⁽²⁾			0.09	UI _{RBR}
T_{XSSC_AMP}	Link clock down-spreading	0%		0.5%	
T_{SSC_FREQ}	Link clock down-spreading frequency	30		33	kHz
DisplayPort AUX INTERFACE					
UI _{MAN}	Manchester transaction unit interval	0.4		0.6	μs
$t_{auxjitter_tx}$	Cycle-to-cycle jitter time at transmit pins			0.08	UI _{MAN}
$t_{auxjitter_rx}$	Cycle-to-cycle jitter time at receive pins			0.04	UI _{MAN}
REFCLK					
F_{REFCLK}	REFCLK Frequency. Supported frequencies: 12MHz, 19.2MHz, 26MHz, 27MHz 38.4MHz	12		38.4	MHz
$T_{RISEFALL}$	REFCLK rise and fall time	10% to 90%	100ps	23	ns
T_{REFCLK}	REFCLK period		26.0417	83.333	ns
T_{pj}	REFCLK Peak-to-Peak Phase Jitter			50	ps
Duty	REFCLK Duty Cycle	40%	50%	60%	

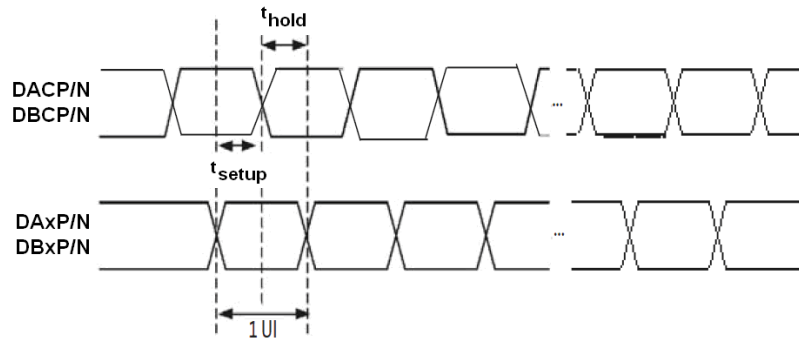


Figure 2. DSI HS Mode Receiver Timing Definitions

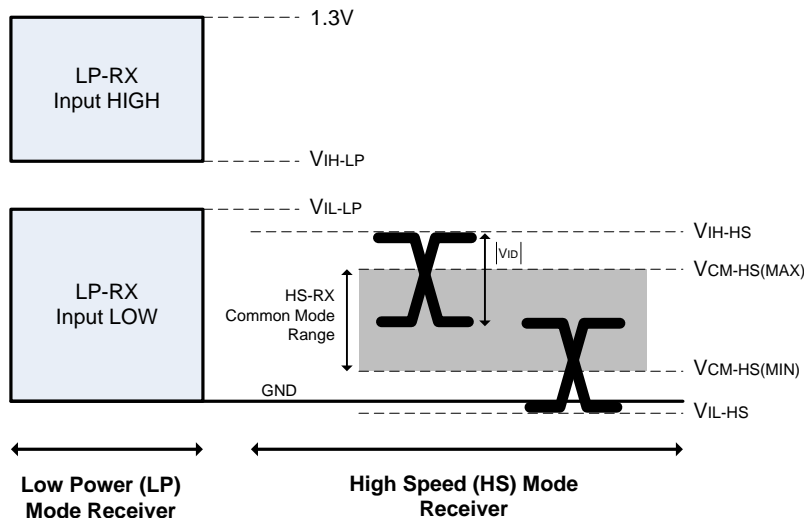


Figure 3. DSI Receiver Voltage Definitions

RESET IMPLEMENTATION

When EN is de-asserted, CMOS inputs are ignored, the MIPI® D-PHY inputs are disabled, and outputs are high impedance. It is critical to transition the EN input from a low to a high level after the V_{CC} supply has reached the minimum recommended operating voltage. This is achieved by a control signal to the EN input, or by an external capacitor connected between EN and GND. To insure that the SN65DSIX6 is properly reset, the EN pin must be de-asserted for at least 100 μ s before being asserted.

When implementing the external capacitor, the size of the external capacitor depends on the power up ramp of the VCC supply, where a slower ramp-up results in a larger value external capacitor. Refer to the latest reference schematic for the SN65DSIX6 device and/or consider approximately 200nF capacitor as a reasonable first estimate for the size of the external capacitor.

Both EN implementations are shown in the following figures.

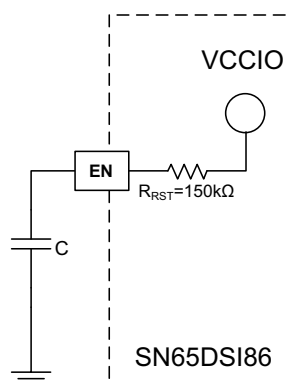


Figure 4. External Capacitor Controlled EN

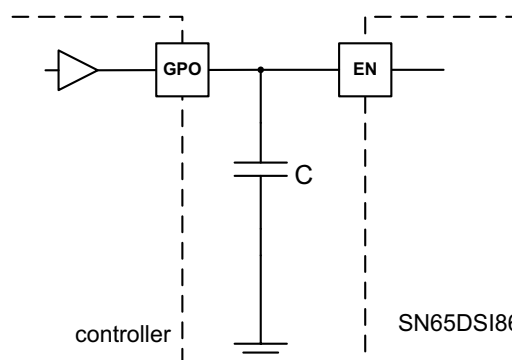


Figure 5. EN Input from Active Controller

Power up Timing for DPPLL_CLK_SRC = REFCLK

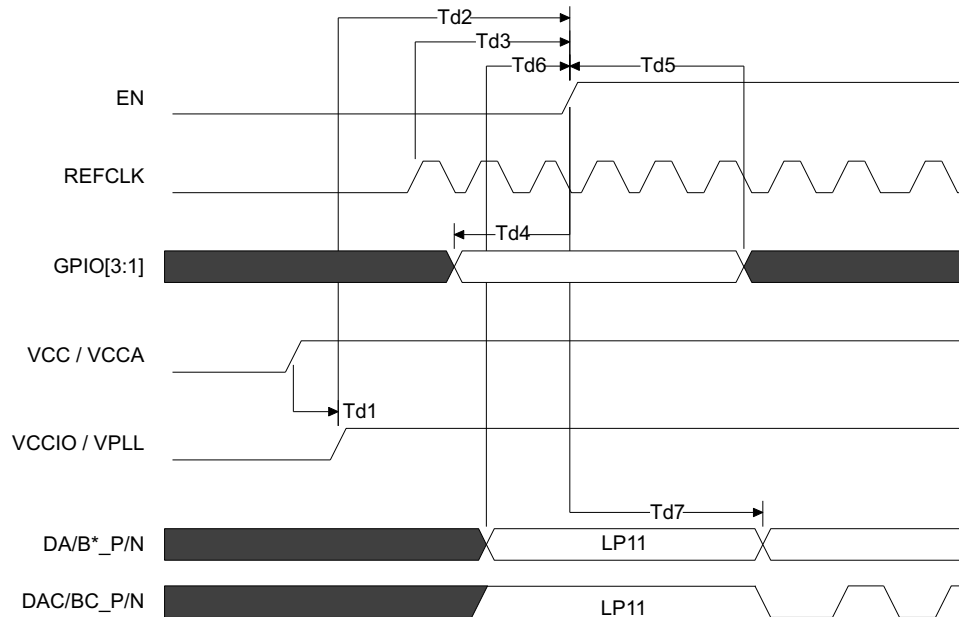


Table 1. Power Up Requirements DPPLL_CLK_SRC = REFCLK

PARAMETER	DESCRIPTION	MIN	MAX
Td1	V _{CC/A} stable before V _{CCIO/V_{PLL}} stable	0	
Td2	V _{CC/A} and V _{CCIO/V_{PLL}} stable before EN assertion	100 μs	
Td3	REFCLK active and stable before EN assertion	0 μs	
Td4	GPIO[3:1] stable before EN assertion	0 ns	
Td5	GPIO[3:1] stable after EN assertion	5 μs	
Td6	LP11 state on DSI channels A and B before EN assertion	0 ns	
Td7	LP11 state on DSI channels A and B after EN assertion ⁽¹⁾	100 μs	
T _{VCC_RAMP}	V _{CC} supply ramp requirements	0.2 ms	100 ms
T _{VCCA_RAMP}	V _{CCA} supply ramp requirements	0.2 ms	100 ms
T _{VCCIO_RAMP}	V _{CCIO} supply ramp requirements	0.2 ms	100 ms
T _{VPLL_RAMP}	V _{PLL} supply ramp requirements	0.2 ms	100 ms

(1) Access to DSIX6 CFR from I2C or DSI allowed after Td7.

Power Up Timing for DPPLL_CLK_SRC = DACP/N

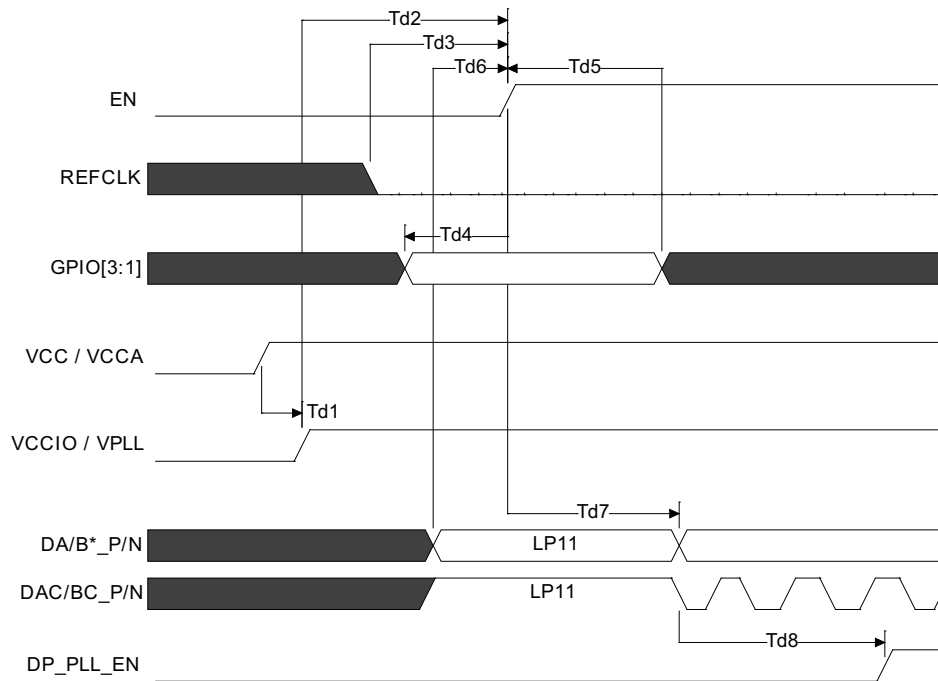


Table 2. Power-Up Requirements for DPPLL_CLK_SRC = DACP/N

PARAMETER	DESCRIPTION	MIN	MAX
Td1	V _{CC/A} stable before V _{CCIO/V_{PLL}} stable	0	
Td2	V _{CC/A} and V _{CCIO/V_{PLL}} stable before EN assertion	100 μs	
Td3	REFCLK low before EN assertion	10 μs	
Td4	GPIO[3:1] stable before EN assertion	0 ns	
Td5	GPIO[3:1] stable after EN assertion	5 μs	
Td6	LP11 state on DSI channels A and B before EN assertion	0 ns	
Td7	LP11 state on DSI channels A and B after EN assertion ⁽¹⁾	100 μs	
Td8	DACP/N active and stable before DP_PLL_EN bit is set.	100 μs	
T _{VCC_RAMP}	V _{CC} supply ramp requirements	0.2 ms	100 ms
T _{VCCA_RAMP}	V _{CCA} supply ramp requirements	0.2 ms	100 ms
T _{VCCIO_RAMP}	V _{CCIO} supply ramp requirements	0.2 ms	100 ms
T _{VPLL_RAMP}	V _{PLL} supply ramp requirements	0.2 ms	100 ms

(1) Access to DSIX6 CFR from I2C or DSI allowed after Td7.

PowerUp Sequence

STEP#	DESCRIPTION
1.	EN de-asserted (LOW) and all Power Supplies active and stable. Depending on whether DPPLL_CLK_SRC is REFCLK pin or the DACP/N pins, GPIO[3:1] set to value that matches the REFCLK or DACP/N frequency. Refer to Table 10 for GPIO to REFCLK/DACP/N frequency combinations. If GPIO are not going to be used to select the REFCLK/DACP/N frequency, then software must program the REFCLK_FREQ register via I2C after the EN is asserted. This knowledge of the REFCLK_FREQ is also used by the DSIX6 to determine the DSI Clock frequency when DPPLL_CLK_SRC is REFCLK pin.
2.	EN is asserted (HIGH).
3.	Configure number of DSI channels and lanes per channel. The DSIX6 defaults to 1 lane of DSI Channel A. DSI Channel B is disabled by default. When using DSI to configure the DSIX6, software need to keep in mind the default configuration of the DSI channels only allows access to internal CSR through either 1 lane of HSOT or LPDT. Once CFR defaults are changed, all future CFR accesses should use the new DSI configuration. DSI Channel B can never be used to access internal DSIX8 CSR space. I ² C access to internal DSIX6's CSR is always available.

STEP#	DESCRIPTION
4.	Configure REFCLK or DACP/N Frequency. If GPIO[3:1] is used to set the REFCLK or DACP/N frequency, then this step can be skipped. This step must be completed before any DisplayPort AUX channel communication can occur. SW needs to program REFCLK_FREQ to match the frequency of the clock provided to REFCLK pin or DACP/N pins. The knowledge of the REFCLK_FREQ is also used by the DSIX6 to determine the DSI Clock frequency when DPPLL_CLK_SRC is REFCLK pin.
5	The DSIX6 supports polarity inversion of each of the MLP[3:0] and MLN[3:0] pins. The purpose of this feature is to help prevent any DisplayPort Main Link differential pair crossing on the PCB. If the system implementer uses this feature, then the MLx_POLR registers need to be updated to match the system implementation.
6	The DSIX6 supports the ability to assign physical MLP/N[3:0] pins to a specific logical lane in order to help in the routing on the PCB. By default, physical pins MLP/N0 is logical lane 0, physical pins MLP/N1 is logical lane 1, physical pins MLP/N2 is logical lane 2, and physical pins MLP/N3 is logical lane 3. If the actual system implementation does not match the DSIX6 default values, then the LNX_ASSIGN fields need to be updated to match the system implementation.
7	By default, all interrupt sources are disabled (IRQ will not get asserted). SW needs to enable interrupt sources it cares about.
8	In an eDP application, HPD is not required. If HPD is not used, software needs to disable HPD by writing to the HPD_DISABLE register and then go to the next step. If HPD is used, then software shall remain in this step until an HPD_INSERTION occurs. Once a HPD_INSERTION occurs, software can go to the next step.
9.	Resolution capability of eDP Panel through reading EDID. In a eDP application, the Panel resolution capability may be known in advance. If this is the case, then this step can be skipped. Two methods are available for reading the EDID: direct method and indirect method.
	1. Using the direct method, SW needs to program I2C_ADDR_CLAIMx registers and enable them. Once this is done, any I ² C transaction that targets the I2C_ADDR_CLAIMx address will be translated into a I2C-Over-AUX transaction. In order to use the direct method, the I2C master must support clock stretching.
	2. Using the indirect method, SW needs to use Native and I2C-Over-Aux registers. When using the indirect method, the max read size allowed is 16-bytes. This means reading the EDID must be broken into 16-byte chunks.
10.	eDP Panel DisplayPort Configuration Data (DPCD). In a eDP applications, the eDP panel DPCD information maybe known in advance. If this is the case, then this step can be skipped. SW can obtain the DPCD information by using the Native Aux Registers. The eDP panel capability is located at DisplayPort Address 0x00000 thru 0x0008F. When reading the DPCD capability, sw needs to be aware that Native Aux transactions, like I2C-Over-Aux, is limited to a read size of 16-bytes. This means SW must read the DPCD in 16-byte chunks.
11.	Based on resolution and capabilities of eDP sink obtain from EDID and DPCD, GPU should program the appropriate number of data lanes (DP_NUM_LANES) and datarate (DP_DATARATE) to match source capabilities and sink requirements. SSC_ENABLE can also be set if the eDP sink supports SSC.
12.	Enable the DisplayPort PLL by writing a '1' to the DP_PLL_EN register. Before proceeding to next step, software should verify the PLL is locked by reading the DP_PLL_LOCK bit.
13.	The SN65DSIX6 only supports ASSR Display Authentication method and this method is enabled by default . An eDP panel must support this Authentication method. Software will need to enable this method in the eDP panel at DisplayPort address 0x0010A.
14.	Train the DisplayPort Link. Based on the resolution requirements of the application and the capabilities of the eDP panel, software needs to choose the optimum lane count and datarate for DisplayPort Main Links. The DSIX6 provides three methods for Link Training: Manual, Fast, and Semi-Auto.
	1. Manual Method is completely under SW control. SW can follow training steps outlined in the DisplayPort Standard or sw can perform a subset of what the DisplayPort standard requires.
	2. Fast Link Train. Prior knowledge of the calibrated settings is required in order to use Fast Link Train. SW needs to program both the DSIX6 and the eDP panel with the calibrated settings. Once this is done, software can change the ML_TX_MODE from Main Link Off to Fast Link Training. The DSIX6 will transmit the enabled TPS1 and/or TPS2 pattern and then transition the ML_TX_MODE to Normal Mode.
	3. Semi-Auto Link Training. This method is intended if there is a preferred datarate and lane count but the other parameters like TX_SWING and Pre-Emphasis are not known or eDP sink does not support Fast Training. SW can transition the ML_TX_MODE to Semi-Auto Link Training. If training is successful, the LT_PASS flag will get set and the ML_TX_MODE will be transitioned to Normal Mode. If training is unsuccessful, the LT_FAIL flag will get set and the ML_TX_MODE will transition to Main Link Off. SW then will have to specify a different data rate and/or lane count combination and attempt Auto-Link training again. This is repeated until successful link training occurs. Please keep in mind that changes in data rate will cause the DP PLL to lose lock. SW should always wait until DP_PLL_LOCK bit is set before attempting another Semi-Auto Link training.
15.	Video Registers need to be programmed. Video Registers are used by the DSIX6 to recreate the video timing provided from the DSI interface to the DisplayPort interface.
16.	Configure GPIO control registers if default state if not used. The GPIO default to Inputs.
17.	Configure <i>Assertive Display Core</i> . (For SN65DSI96 only)
18.	Video stream can be enabled in the GPU and sent via the DSI interface to the DSIX6.
19.	SW can now enable the DSIX6 to pass the video stream provided on the DSI interface to the DisplayPort interface by writing a '1' to the VSTREAM_ENABLE register.

Power Down Sequence

STEP#	DESCRIPTION
1.	Clear VSTREAM_ENABLE bit.
2.	Stop DSI stream from GPU. DSI lanes shall be placed in LP11 state.
3.	Program the ML_TX_MODE to 0x0 (OFF).
4.	Program the DP_NUM_LANES register to 0x0.
5.	Clear the DP_PLL_EN bit.
6.	For SN65DSI96, disable Assertive Display core by clearing the ADEN bit.
7.	De-assert the EN pin.
8.	Remove power from supply pins (V_{CC} , V_{CCA} , V_{CCIO} , V_{PLL})

DISPLAY SERIAL INTERFACE (DSI)

The DSI interface can be used for two purposes: (1) Configuring DSIX6 CSR. (2). Streaming RGB video to an external DisplayPort sink. When used to configure the DSIX6, all communication from the DSIX6 to the GPU (read responses) will use DSI channel A lane 0 in LP signaling mode. The DSIX6 supports communication from GPU to DSIX6 in both HS mode and LP mode.

DSI Lane Merging

The SN65DSIX6 supports one DSI data lane per input channel by default, and may be configured to support two, three, or four DSI data lanes per channel. The bytes received from the data lanes are merged in HS mode to form packets that carry the video stream or target DSIX6 CFR space. DSI data lanes are bit and byte aligned. [Figure 6](#) illustrates the lane merging function for each channel; 4-Lane, 3-Lane, and 2-Lane modes are illustrated.

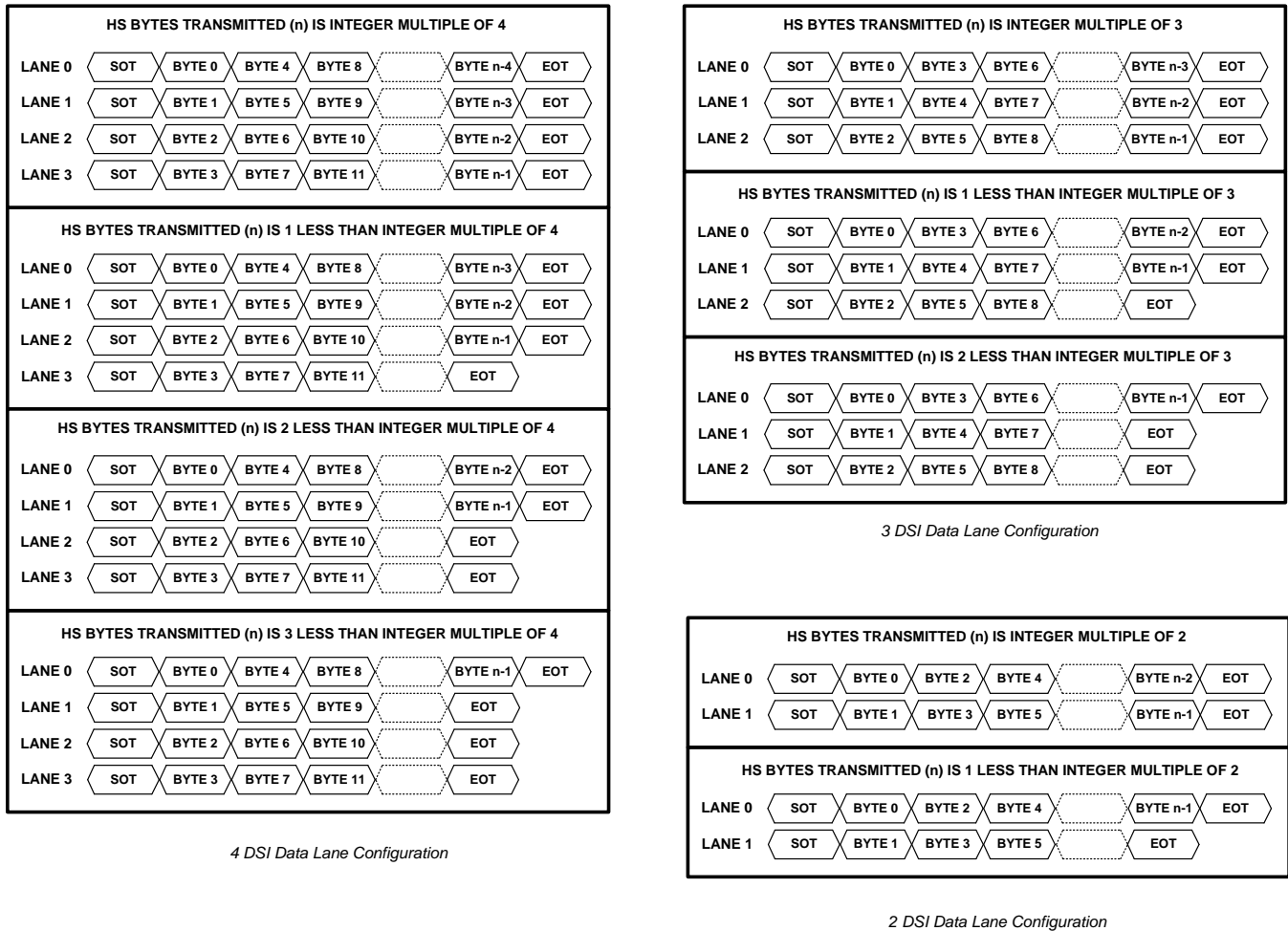


Figure 6. SN65DSIX6 DSI Lane Merging Illustration

DSI Supported Data Types

The table below summarizes the DSI data types supported by the DSIX6. Any Data Type received by the DSIX6 that is not listed below will be ignored.

Table 3. Supported HS DSI Data Types from GPU

DATA TYPE	DESCRIPTION	DSI CHANNEL	PURPOSE
0x01	Vsync Start	A and B	Events for Video Timing
0x11	Vsync End	A and B	
0x21	Hsync Start	A and B	
0x31	HSync End	A and B	
0x08	End of Transmission packet (EoTp)	A and B	Marks the end of a HS transmission.
0x09	Null Packet	A and B	
0x19	Blanking Packet	A and B	
0x24	Generic Read Request 2 parameters	A-only	Read CFR Request
0x37	Set Maximum Return Packet Size	A-only	Specifies the maximum amount data returned from a Generic Read Request supported by GPU.
0x23	Generic Short Write 2 parameters	A-only	Configure CFR
0x29	Generic Long Write	A-only	Configure CFR and Secondary Data Packets

Table 3. Supported HS DSI Data Types from GPU (continued)

DATA TYPE	DESCRIPTION	DSI CHANNEL	PURPOSE
0x1E	Pixel Stream 18-bit RGB-666 Packed format	A and B	Active Pixel Data
0x2E	Pixel Stream 18-bit RGB-666 Loosely Packed Format	A and B	
0x3E	Pixel Stream 24-bit RGB-888 format	A and B	

Table 4. SN65DSIX6 LPDT DSI Data Type from GPU

DATA TYPE	DESCRIPTION	DSI CHANNEL	PURPOSE
0x24	Generic Read Request 2 parameters	CHA Lane 0	Read CFR requests
0x23	Generic Short Write 2 parameters	CHA Lane 0	Configure CFR.
0x08	EoTp	CHA Lane 0	Indicates end of HS transmission.

Table 5. SN65DSIX6 DSI Data Type Responses

DATA TYPE	DESCRIPTION	DSI CHANNEL	PURPOSE
0x11	Generic Short Read Response 1 Byte	CHA Lane 0	LPDT Response from Read Request
0x02	Acknowledge and Error Report	CHA Lane 0	LPDT Response following a Generic Read/Write with errors. Or an unsolicited BTA.
N/A	Acknowledge Trigger Message	CHA Lane 0	Trigger Message used to indicate no errors detected in Generic Request.

Generic Request Datatypes

The Generic Request datatypes are used for reading and writing to DSIX6's CFR space as well as for providing DisplayPort's secondary data packets. The DSIX6 supports these request types in the form of high-speed data transmissions or low power data transmissions (LPDT).

In order to properly sample high speed data received on the DSI interface, the DSIX6 implements a hardware mechanism, known as DSI_CLK_RANGE Estimator, to determine the DSI clock frequency. This hardware mechanism uses the REFCLK as a reference for calculating the DSI clock frequency. When the REFCLK_FREQ register correctly matching the REFCLK frequency, the DSI_CLK_RANGE Estimator will be able determine the DSIA and DSIB clock frequency. The DSI_CLK_RANGE Estimator requires a throw-away read (i.e. read from address 0x00) before hardware will update CHA_DSI_CLK_RANGE and CHB_DSI_CLK_RANGE registers. Note that this first access may set some DSI error bits. In the cases where the system designer does not wish to use the DSI_CLK_RANGE Estimator, software can write the desired DSI Clock frequency to the CHA_DSI_CLK_RANGE and CHB_DSI_CLK_RANGE. Once these registers are written, the DSI_CLK_RANGE Estimator will be disabled and it becomes system software responsibility to make sure the CHA_DSI_CLK_RANGE and CHB_DSI_CLK_RANGE registers always reflect the actual DSI clock frequency.

Generic Read Request 2-Parameters Request

The Generic Read Request with 2 parameters will be used for reading DSIX6's CFR registers. The current address space requirement for the DSIX6 is just 256 bytes. This means the MS Byte of ADDR (bits 15 to 8) will always be zero. The MS Byte of the ADDR is intended for future expansion. The SN65DSIX6's response size defaults to one byte as defined by [DSI]. Software can use the Set Maximum Return Packet Size to inform the DSI86 that the GPU can support more than one byte, but the DSIX6 will always provide a response of one byte. If a single-bit ECC error was detected and corrected in the request, the DSIX6 will provide the requested data along with an Acknowledge and Error Report packet. If multi-bit ECC errors are detected and not corrected, the DSIX6 will only respond with an Acknowledge and Error Report packet.

SOT	ID = 0x24	ADDR (LS Byte)	ADDR (MS Byte)	ECC	EOT
-----	-----------	----------------	----------------	-----	-----

Figure 7. Generic Read Request 2 Parameters Format

Generic Short Write 2-Parameters Request

The Generic Short Write with 2 parameters can be used for writing to DSIX6's CFR registers. The first parameter is the CFR Address and the second parameter is the data to be written to the address pointed to by the first parameter.

SOT	ID = 0x23	ADDR (Byte)	DATA	ECC	EOT
-----	-----------	-------------	------	-----	-----

Figure 8. Generic Short Write Request 2 Parameters Format

NOTE

If GPU completes transmission with a BTA, the DSIX6 will respond with either an Acknowledge, if no errors were detected in current or previous packets, or an Acknowledge and Error Report packet, if errors were detected in current or previous packets.

Generic Long Write Packet Request

The Generic Long Write packet is used to write to CFRs within the DSIX6 as well as send secondary data packet to the eDP panel. The MS Byte of ADDR (bits 15 to 8) shall be used to select whether the packet is SDP or whether it targets DSIX6's CFR registers. If the MS Byte of ADDR is equal to 0x80, then the DSIX6 will interpret the Generic Long Write to be a secondary data packet. If the MS Byte of ADDR is equal to 0x00, then the DSIX6 will interpret the Generic Long Write to target CFR space. For all other values of MS Byte of the ADDR, the DSIX6 will ignore the request and set the appropriate error flag.

SOT	ID = 0x29	WC (LS Byte)	WC (MS Byte)	ECC	ADDR (LS Byte)	ADDR (MS Byte)	DATA0	DATA1	DATA [WC-3]	CHKSUM (LS Byte)	CHKSUM (MS Byte)	EOT
-----	-----------	--------------	--------------	-----	----------------	----------------	-------	-------	-------------	------------------	------------------	-----

Figure 9. Generic Long Write Format

NOTE

The WC field value must include the two ADDR bytes and the amount of data to be written. For example, if the amount of data to be written is 1 byte, then the WC(LS Byte) must be 0x03 and the WC(MS Byte) must be 0x00. Also, the maximum WC field value supported by the SN65DSIX6 is 258 bytes or (0x0102). When writing to DSIX6's CFR space, the maximum WC field value supported is three bytes. If GPU completes transmission with a BTA, the DSIX6 shall respond with either an Acknowledge, if no errors were detected in current or previous packets, or an Acknowledge and Error Report packet, if errors were detected in current or previous packets.

DSI Pixel Stream Packets

The SN65DSIX6 processes 18bpp (RGB666) and 24bpp (RGB888) DSI packets on each channel as illustrated below:

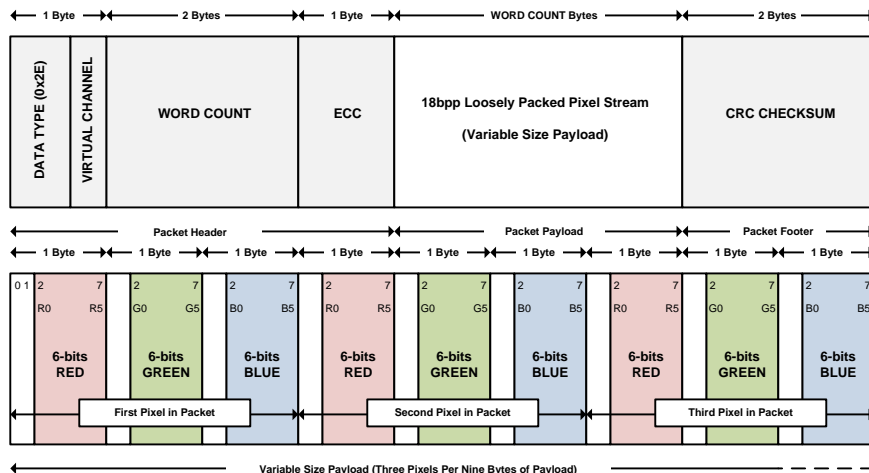


Figure 10. 18 bpp (Loosely Packed) DSI Packet Structure

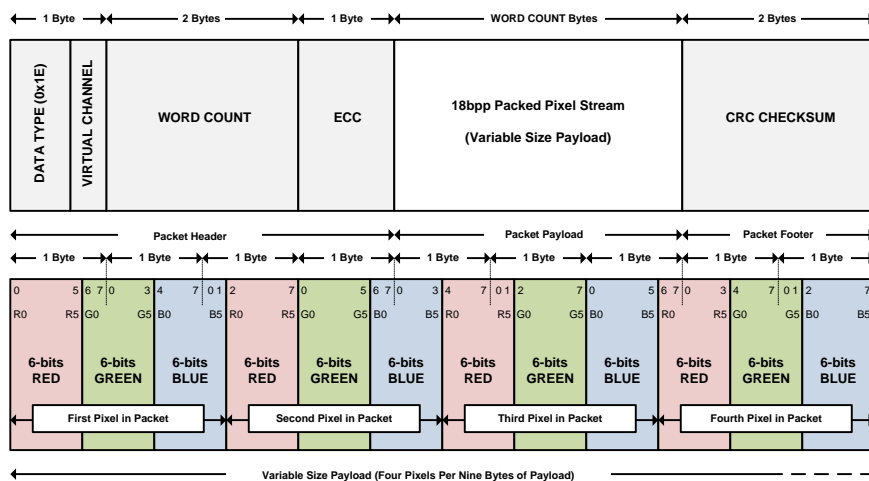


Figure 11. 18bpp (Tightly Packed) DSI Packet Structure

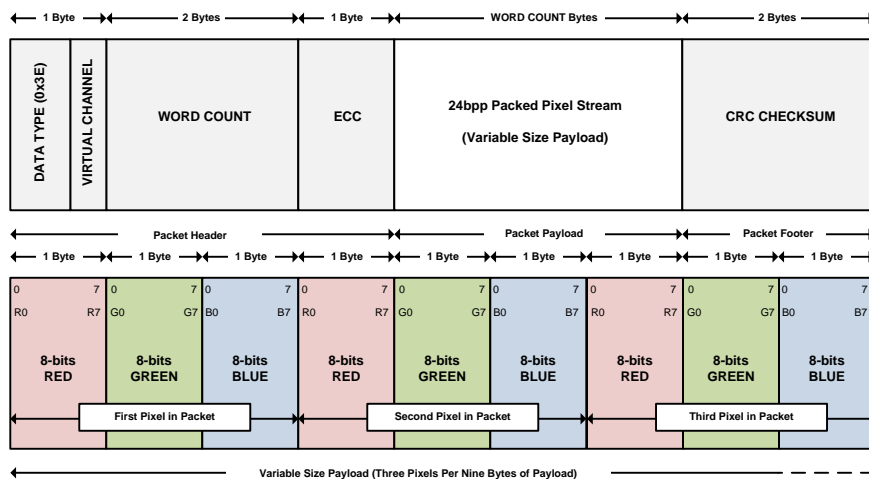


Figure 12. 24bpp DSI Packet Structure

Table 6. Example of 4-Lane DSI Packet Data for 24bpp RGB

Lane 0	Lane 1	Lane 2	Lane 3
SOT	SOT	SOT	SOT
0x3E	WC (LS Byte)	WC(MS Byte)	ECC
R0-7:0	G0-7:0	B0-7:0	R1-7:0
G1-7:0	B1-7:0	R2-7:0	G2-7:0
B2-7:0	R3-7:0	G3-7:0	B3-7:0
R4-7:0	G4-7:0	B4-7:0	R5-7:0
G5-7:0	B5-7:0	CRC (LS Byte)	CRC (MS Byte)
EOT	EOT	EOT	EOT

DSI Video Transmission Specifications

The SN65DSIX6 expects the GPU to provide video timing events and active pixel data in the proper order in the form of a real-time pixel stream. According to the DSI specification [DSI], active pixel data is transmitted in one of two modes: Non-Burst and Burst. The SN65DSIX6 supports both non-burst and burst mode packet transmission. The burst mode supports time-compressed pixel stream packets that leave added time per scan line for power savings LP mode. For a robust and low-power implementation, the transition to LP mode is recommended on every video line, although once per frame is considered acceptable.

According to the DSI specification [DSI], timing events can be provided in one of two types: Sync Pulses, and Sync Events. The SN65DSIX6 supports both types. For the Sync Pulse type of timing event, the GPU will send VSYNC START (VSS), VSYNC END (VSE), HSYNC START (HSS), and HSYNC END (HSE) packets. For Sync Event type, the GPU will only send the sync start packets (VSS and HSS). For both types of timing events, the DSIX6 will use the values programmed into the Video Registers to determine the sync end events (VSE and HSE). Please note when configured for dual DSI channels, the SN65DSIX6 will use VSS, VSE, and HSS packets from channel A. The DSIX6 will use channel A events to recreate the same timings on the DisplayPort interface. The VSS, VSE, and HSS packets from channel B are used to internally align data on channel B to channel A.

The first line of a video frame shall start with a VSS packet, and all other lines start with VSE or HSS. The position of the synchronization packets in time is of utmost importance since this has a direct impact on the visual performance of the display panel.

As required in the DSI specification, the SN65DSIX6 requires that pixel stream packets contain an integer number of pixels (i.e. end on a pixel boundary); it is recommended to transmit an entire scan line on one pixel stream packet. When a scan line is broken in to multiple packets, inter-packet latency shall be considered such that the video pipeline (ie. pixel queue or partial line buffer) does not run empty (i.e. under-run); during scan line processing. If the pixel queue runs empty, the SN65DSIX6 transmits zero data (18'b0 or 24'b0) on the DisplayPort interface.

When configured for dual DSI channels, the SN65DSIX6 supports ODD/EVEN configurations and LEFT/RIGHT configurations. In the ODD/EVEN configuration, the odd pixels for each scan line are received on channel A, and the even pixels are received on channel B. In LEFT/RIGHT mode, the LEFT portion of the line is received on channel A, and the right portion of the line is received on channel B. The pixels received on channel B in LEFT/RIGHT mode are buffered during the LEFT side transmission to DisplayPort, and begin transmission to DisplayPort when the LEFT-side input buffer runs empty. The only requirement for LEFT/RIGHT mode is CHB_ACTIVE_LINE_LENGTH must be at least 1 pixel.

NOTE

The DSIX6 does not support the DSI Virtual Channel capability.

Table 7. Summary of DSI Video Input Requirements

NUMBER	REQUIREMENT
1	DSI datatypes VSS and HSS are required, but datatypes HSE and VSE are optional.
2	The exact time interval between each HSS shall be maintained.
3	The time between the HSS and HACT (known as HBP) does not have to be maintained. The DSIX6 will recreate HBP on DisplayPort.
4	The time from the end of HACT to HSS (known as HFP) does not have to be maintained. The DSIX6 will recreate HFP on DisplayPort.
5	The time from VSS to first line of active video shall be maintained.
6	The time from end of last line of active video to the beginning of the first line of active video shall be maintained. This time is defined as the Vertical Blanking period.

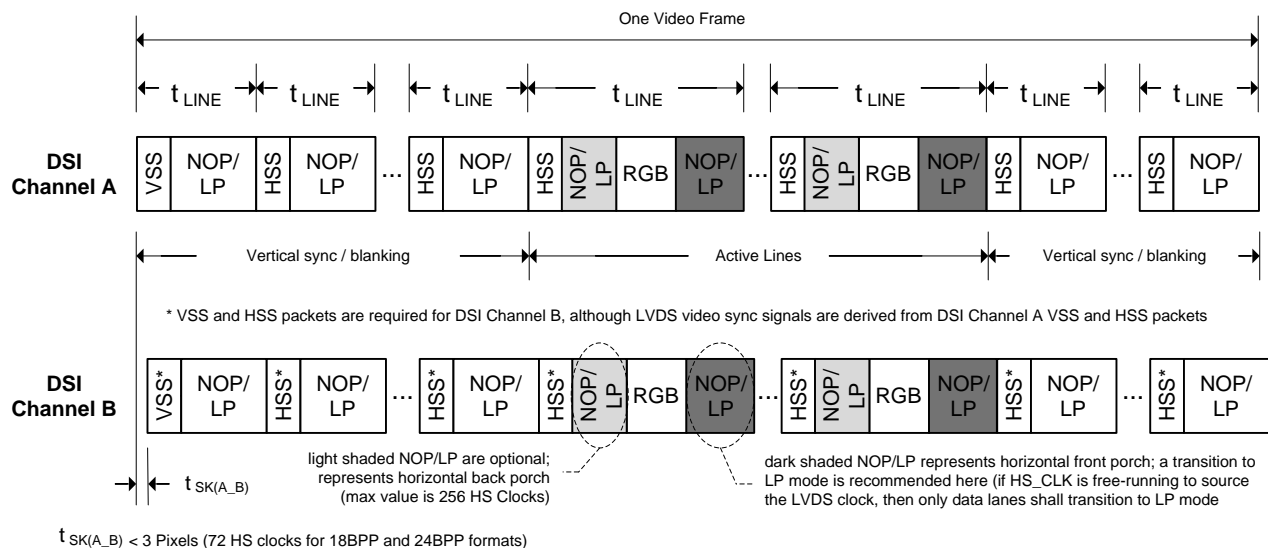


Figure 13. DSI Channel Transmission and Transfer Function

Video Format Parameters

It is the responsibility of the GPU software to program the DSIX6's *Video Registers* with the Video format that is expected to be displayed on the eDP panel. The DSIX6 expects the parameters in the [Table 8](#) to be programmed. The DSIX6 will use these parameters to determine the DisplayPort MSA parameters that are transmitted over DisplayPort every vertical blanking period. These MSA parameters are used by the eDP panel to recreate the video format provided on the DSI interface.

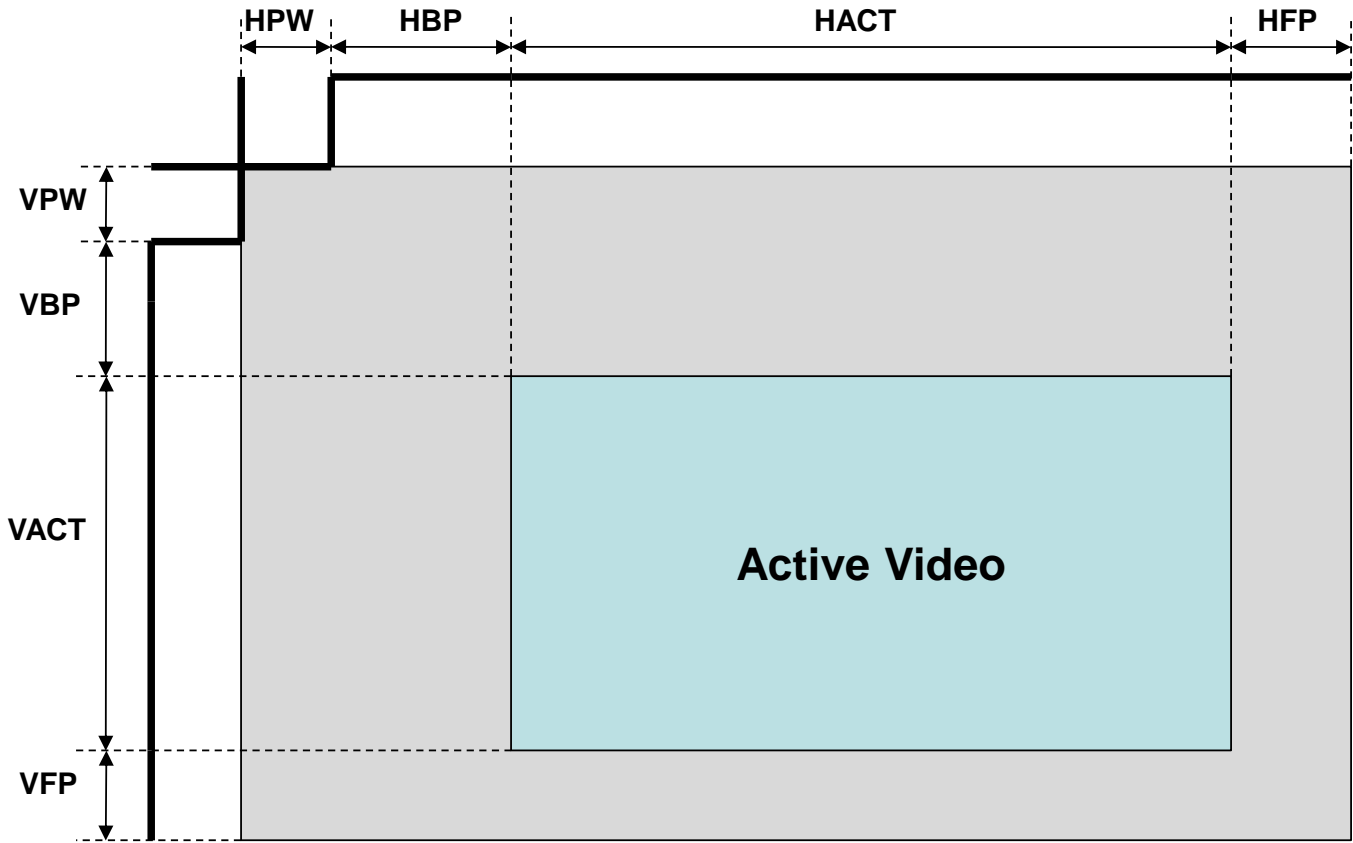


Figure 14. Video Format

Table 8. Video Format Parameters

PARAMETER	DESCRIPTION	DSIX6 REGISTER
HPOL	Used to specify if the HPW is high or low.	CHA_HSYNC_POLARITY
HPW	The width of the Horizontal Sync Pulse in pixels	{CHA_HSYNC_PULSE_WIDTH_HIGH, CHA_HSYNC_PULSE_WIDTH_LOW}
HBP	The size of the Horizontal Back Porch in pixels	CHA_HORIZONTAL_BACK_PORCH
HACT	The length, in pixels, of the active horizontal line.	{CHA_ACTIVE_LINE_LENGTH_HIGH, CHA_ACTIVE_LINE_LENGTH_LOW} + {CHB_ACTIVE_LINE_LENGTH_HIGH, CHB_ACTIVE_LINE_LENGTH_LOW}
HFP	The size of the Horizontal Front Porch in pixels.	CHA_HORIZONTAL_FRONT_PORCH
HTOTAL	Total length, in pixels, of a horizontal line.	HPW + HBP + HACT + HFP
VPOL	Used to specify if the VPW is high or low	CHA_VSYNC_POLARITY
VPW	The width of the Vertical Sync Pulse in lines. The width must be at least 1 line.	{CHA_VSYNC_PULSE_WIDTH_HIGH, CHA_VSYNC_PULSE_WIDTH_LOW}
VBP	The size of the Vertical Back Porch in lines. The size must be at least 1 line.	CHA_VERTICAL_BACK_PORCH
VACT	The number of vertical active lines.	{CHA_VERTICAL_DISPLAY_SIZE_HIGH, CHA_VERTICAL_DISPLAY_SIZE_LOW}
VFP	The size of the Vertical Front Porch in lines. The size must be at least 1 line.	CHA_VERTICAL_FRONT_PORCH
VTOTAL	The total number of vertical lines in a frame.	VPW + VBP + VACT + VFP

GPU LP-TX Clock Requirements

The GPU is responsible for controlling its own LP clock frequency to match the DSIX6. The GPU LP TX clock frequency shall be in the range of 67% to 150% of the DSIX6 LP TX clock frequency. The DSIX6 LP TX clock frequency is detailed in [Table 9](#).

Table 9. DSIX6 LP TX Clock Frequency

REFCLK_FREQ	LP TX Clock Frequency
0x0	12 MHz
0x1	19.2 MHz
0x2	13 MHz
0x3	13.5 MHz
0x4	19.2 MHz

GENERAL PURPOSE INPUT AND OUTPUTS

The DSIX6 provides four GPIO pins which can be configured as an input or output. The GPIOs default to input but can be changed to output by changing the appropriate [GPIO Register](#).

GPIO Functions:

1. Input
2. Output
3. SUSPEND Input (powers down entire chip except for I2C interface)
4. PWM
5. DSIA VSYNC
6. DSIA HSYNC

GPIO REFCLK and DSIA Clock Selection

The clock source for the DSIX6 is derived from one of two sources: REFCLK pin or DACP/N pins. On the rising edge of EN, the sampled state of GPIO[3:1] as well as the detection of a clock on REFCLK pin is used to determine the clock source and the frequency of that clock. After the EN, software through the I²C interface can change the configuration of REFCLK_FREQ, and CHA_DSI_CLK_RANGE for the case where GPIO[3:1] sampled state does not represent the intended functionality. Because the clock source is determined at the assertion of EN, software can not change the clock source.

Table 10. GPIO REFCLK or DACP/N FREQUENCY SELECTION⁽¹⁾⁽²⁾⁽³⁾

GPIO[3:1]	REFCLK FREQUENCY (DPPLL_CLK_SRC = 0)	DACP/N CLOCK FREQUENCY (DPPLL_CLK_SRC = 1)	REFCLK_FREQ
3'b000	12 MHz	468MHz (DSIACLK / 39 = 12 MHz)	0x0
3'b001	19.2 MHz	384MHz (DSIACLK / 20 = 19.2 MHz)	0x1
3'b010	26 MHz	416MHz (DSIACLK / 16 = 26 MHz)	0x2
3'b011	27 MHz	486MHz (DSIACLK / 18 = 27 MHz)	0x3
3'b100	38.4 MHz.	460.8MHz (DSIACLK / 12 = 38.4 MHz)	0x4
3'b101 thru 3'b111	19.2 MHz	384MHz (DSIACLK / 20 = 19.2 MHz)	0x5 thru 0x7

- (1) For case when DPPLL_CLK_SRC = 1, the SN65DSIX6 will update the CHA_DSI_CLK_RANGE and CHB_DSI_CLK_RANGE with a value that represents the selected DSI clock frequency. Software can change this value.
- (2) REFCLK pin must be tied or pull-down to GND when the DACP/N is used as the clock source for the DPPLL.
- (3) If GPIO selection of REFCLK or DACP/N frequency is not used, then software must program the REFCLK_FREQ, CHA_DSI_CLK_RANGE and CHB_DSI_CLK_RANGE through the I2C interface prior to issuing any DSI commands or packets to the SN65DSIX6.

SUSPEND

The SUSPEND functionality is intended to be used with the [Panel Self Refresh \(PSR\)](#) feature of the eDP Sink. The PSR feature is intended for saving system power but this power saving must not produce any noticeable display artifacts to the end user. The de-assertion of EN will produce the greatest DSIX6 power savings but the reconfiguration of the DSIX6 may be too slow and therefore produce a bad end user experience. In this case, the SUSPEND feature is the next option for reducing DSIX6 power consumption while in an active PSR state. The SUSPEND feature allows for quick exit from an active PSR state.

When the GPIO1 is configured for SUSPEND, if the SUSPEND (GPIO1) pin is asserted, then the DSIX6 will be placed in a low-power mode. The SUSPEND (GPIO1) pin will be sampled by the rising edge of REFCLK. If SUSPEND is sampled asserted, then all CSR registers will NOT get reset to their default values, and the DP PLL, DP interface, and DSI interfaces will be powered off. REFCLK can be turned off when DSIX6 is in the SUSPEND Mode.

The DSIX6 supports assertion of IRQ for HPD events. When an IRQ_HPDP event is detected and both IRQ_EN and IRQ_HPDP_EN bits are set, then the DSIX6 will assert the IRQ.

In order to take the DSIX6 out of the SUSPEND mode, the REFCLK must be running before and after the SUSPEND (GPIO1) pin is de-asserted. After the DP PLL is locked, the DSIX6 will transition the ML_TX_MODE from Main Link Off to either Normal or Semi-Auto Link depending on the state of PSR_TRAIN register. If the PSR_EXIT_VIDEO bit is set, then active video will begin transmitting over the DisplayPort interface after the first VSS (Vertical Sync Start) is detected on the DSI interface. If the PSR_EXIT_VIDEO bit is not set, software must enable the VSTREAM_ENABLE bit. Then active video will begin transmitting over the DisplayPort interface after the first VSS (Vertical Sync Start) is detected on the DSI interface.

NOTE

If the GPIO4_CTRL is configured for PWM, the PWM will be active during SUSPEND. If the system designer does not wish the PWM active during SUSPEND, then software can change the GPIO4_CTRL to Input before entering SUSPEND and then re-enable PWM after exiting SUSPEND by changing the GPIO4_CTRL to PWM.

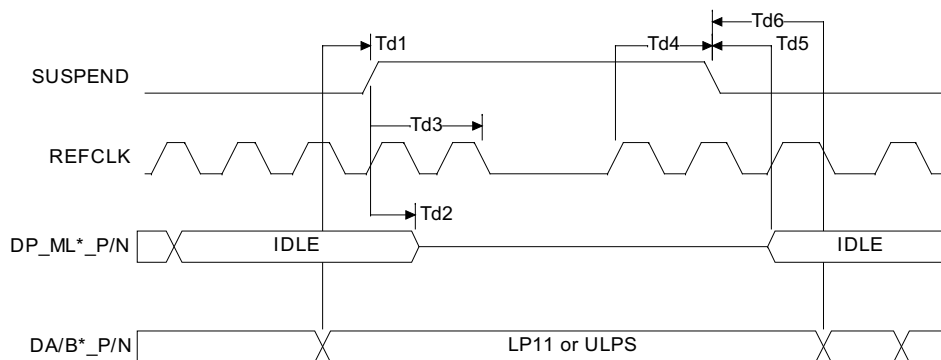


Table 11. SUSPEND Timing Requirements

PARAMETER	DESCRIPTION	MIN	MAX
Td1	LP11 or ULPS on DSI channel A and B before assertion of SUSPEND.	200 ns	
Td2	Delay from SUSPEND asserted to DisplayPort Main Link powered off.	$2 \times T_{REFCLK}$	
Td3	REFCLK active hold time after assertion of SUSPEND	$4 \times T_{REFCLK}$	
Td4	REFCLK active setup time before de-assertion of SUSPEND.	100 ns	
Td5	Delay from SUSPEND de-asserted to DisplayPort Main Link active and transmitting IDLE pattern. Semi-Auto Link Training is NOT used.		$20\mu\text{s} + (1155 \times T_{REFCLK})$
Td6	LP11 state or ULPS on DSI channels A and B after SUSPEND de-assertion	$20\mu\text{s} + (1155 \times T_{REFCLK})$	

NOTE

For the case when DPPLL_CLK_SRC = 1, REFCLK mentioned in this section is replaced with a divided down version of the DSIA_CLK (DCAP/N). The means that DSIA_CLK must be active before the assertion of SUSPEND and before the de-assertion of SUSPEND as specified in [Table 11](#). The DSIA_CLK can be stopped while in SUSPEND as long as above requirements are met.

Pulse Width Modulation (PWM)

The SN65DSIX6 supports controlling the brightness of eDP Display via pulse width modulation. The PWM signal is output over GPIO4 when GPIO4 control register is configured for PWM. For the SN65DSI86, the brightness is controlled by the BACKLIGHT register.

For the SN65DSI96, the brightness is controlled by either the BACKLIGHT register or the BACKLIGHT_OUT register. The OPTION_SELECT register determines which register is used. When OPTION_SELECT is set to zero, then BACKLIGHT_OUT is used to control the brightness. When OPTION_SELECT is not set to zero, then BACKLIGHT register is used to control brightness.

The granularity of brightness is controlled directly by the 16-bit BACKLIGHT_SCALE register. This register allows a granularity of up to 65535 increments. This register, in combination with either the BACKLIGHT or BACKLIGHT_OUT register, will determine the duty cycle of the PWM. For example, if the BACKLIGHT_SCALE register is programmed to 0xFF and the BACKLIGHT is programmed to 0x40, then the duty cycle will be 25% (25% of the PWM period will be high and 75% of the PWM period will be low). The duty cycle would be 100% (PWM always HIGH) if the BACKLIGHT register was programmed to 0xFF and would be 0% (PWM always low) if BACKLIGHT register was programmed to 0x00. The BACKLIGHT_SCALE should be set equal to the digital value corresponding to the maximum possible backlight brightness that the display can produce. For example, if the backlight level is 16-bit, then BACKLIGHT_SCALE should be 0xFFFF, if it is an 8-bit range, then BACKLIGHT_SCALE should be set to 0x00FF.

Duty Cycle (high pulse) = (BACKLIGHT or BACKLIGHT_OUT) / (BACKLIGHT_SCALE + 1)

The frequency of the PWM is determined by the REFCLK_FREQ register and the value programmed into both the PWM_PRE_DIV and BACKLIGHT_SCALE registers. The equation below determines the PWM frequency:

$$\text{PWM FREQ} = \text{REFCLK_FREQ} / (\text{PWM_PRE_DIV} \times \text{BACKLIGHT_SCALE} + 1)$$

Regardless of the state of the DPPLL_CLK_SRC register, the REFCLK_FREQ value in above equation will be based on the frequencies of DPPLL_CLK_SRC equal 0 (12MHz, 19.2MHz, 26MHz, 27MHz, 38.4MHz). The REFCLK_FREQ will not be the DSIA CLK frequency in the case where DPPLL_CLK_SRC equals one.

NOTE

REFCLK or DACP/N must be running if GPIO4 is configured for PWM.

Table 12. PWM BACKLIGHT SELECTION OPTIONS

DSI86	DSI96	ADEN ⁽¹⁾	OPTION_SELECT ⁽¹⁾	PWM (GPIO4)
1	0	X	X	BACKLIGHT
0	1	0	X	BACKLIGHT
0	1	1	0	BACKLIGHT_OUT
0	1	1	Non-zero	BACKLIGHT

(1) ADEN and OPTION_SELECT are only used for SN65DSI96.

DISPLAYPORT

The SN65DSIX6 supports Single-Stream Transport (SST) mode over 1, 2, or 4 lanes at a datarate of 1.62Gbps, 2.16Gbps, 2.43Gbps, 2.7Gbps, 3.24Gbps, 4.32Gbps, or 5.4Gbps. The SN65DSIX6 does not support Multi-Stream Transport (MST) mode.

HPD (Hot Plug/Unplug Detection)

The HPD signal is used by a DisplayPort source (DSIX6) for detecting when a downstream port (DisplayPort Panel) is attached or removed as well as for link status information. The [EDP] specification states that the HPD signal is required for an eDP Panel but is optional for a eDP source (DSIX6). The DSIX6 supports the HPD signal. It is up to the system implementer to determine if HPD signal is needed for the DSIX6. If not used, the system implementer should pull-up HPD to 3.3V or set the HPD_DISABLE bit. If HPD_DISABLE is set, then all HPD events (IRQ_HPDP, HPD_REMOVAL, HPD_INSERTION, HPD_REPLUG) are disabled.

When IRQ_EN and IRQ_HPDP_EN is enabled, the DSIX6 will assert the IRQ whenever the eDP generates a IRQ_HPDP event. An IRQ_HPDP event is defined as a change from INSERTION state to the IRQ_HPDP state.

The DSIX6 will also interpret a DisplayPort device removal or insertion as an HPD_REMOVAL or HPD_INSERTION event. A HPD_REMOVAL event is defined as a change that causes the HPD state to transition from INSERTION state to the REMOVAL state. A HPD_INSERT event is defined as a change that causes the HPD state to transition from the REMOVAL state to the INSERTION state. The REPLUG event is caused by the sink de-asserting HPD for more than 2ms but less than 100ms. If software needs to determine the state of the HPD pin, it should read the HPD Input register. The HPD state machine operates off an internal ring oscillator. The ring oscillator frequency will vary based on PVT (process voltage temperature). The min/max range in the HPD State Diagram refers to the possible times based off variation in the ring oscillator frequency.

NOTE

HPD has a minimum of 60 k Ω \pm 15% internal pull-down resistor.

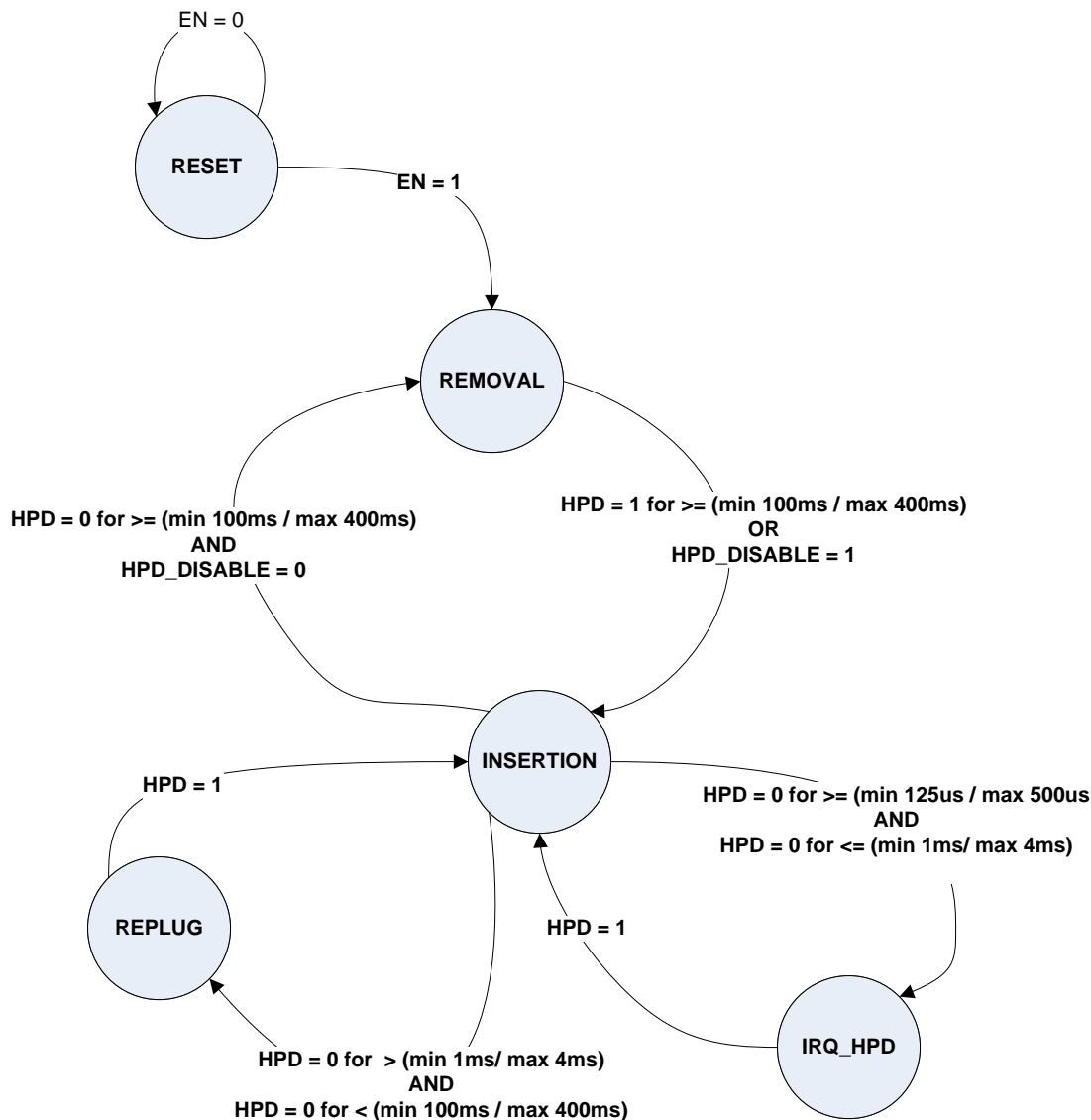


Figure 15. HPD State Diagram

AUX_CH

The AUX_CH supported by the DSIX6 is a half-duplex, bidirectional, ac-coupled, doubly-terminated differential pair. Manchester-II coding is used as the channel coding for the AUX_CH and supports a datarate of 1Mbps. Fast AUX (aka FAUX) is not supported by the DSIX6. Over the AUX_CH, the DSIX6 will always transmit the most significant bit (msb) first and the least significant bit (lsb) last. Bit 7 is the msb and Bit 0 is the lsb.

The purpose of the AUX_CH is to provide a side-band channel between the DSIX6 and the downstream eDP device. Through the AUX_CH, the following is some of the information which can be obtained from or provided to the downstream eDP device

1. eDP Downstream DPCD capabilities (# of lanes, datarate, display authenticate method, etc...)
2. EDID information of display like native resolution (obtained by I2C over AUX transactions)
3. Link training and status
4. MCCS control

Native Aux Transactions

Native Aux transaction is broken into two pieces: Request and Reply. The DSIX6 will always be the originator of the Request (sometimes under GPU control and other times under DSIX6 HW control) and the recipient of the Reply from the downstream device.

Request Syntax: <4-bit AUX_CMD> <20-bit AUX_ADDR> <7-bit AUX_LENGTH> <DATA0 ... DATA15>

Reply Syntax: <4-bit AUX_CMD> <4'b0000> <DATA0 ... DATA15>

Table 13. Definition of the AUX_CMD Field for Request Transactions

AUX_CMD[3:0]	DESCRIPTION
0x0	I2C-Over-Aux Write MOT = 0.
0x1	I2C-Over-Aux Read MOT = 0
0x2	I2C-Over-Aux Write Status Update MOT = 0.
0x3	Reserved. DSIX6 will ignore.
0x4	I2C-Over-Aux Write MOT = 1
0x5	I2C-Over-Aux Read MOT = 1
0x6	I2C-Over-Aux Write Status Update MOT=1.
0x7	Reserved. DSIX6 will ignore.
0x8	Native Aux Write
0x9	Native Aux Read
0xA – 0xF	Reserved. DSIX6 will ignore.

For Native Aux Reply transactions, the DSIX6 will update the status field in the CFR with command provided by the eDP device. For example, if the eDP receiver replies with a AUX_DEFER, the DSIX6 will attempt the request seven times (100µs between each attempt) before updating the AUX_DEFER status field with 1'b1. If the eDP receiver does NOT reply before the 400-us reply timer times-out, then the DSIX6 will wait 100µs before trying the request again. The DSIX6 will retry the request seven times before giving up and then update the AUX_RPLY_TOUT field with 1'b1.

Example: Native Aux read of the eDP receiver capability field at DCPD address 0x00000h thru 0x00008

1. Software program the AUX_CMD field with 0x9.
2. Software program the AUX_ADDR[19:16] field with 0x0.
3. Software program the AUX_ADDR[15:8] field with 0x0.
4. Software program the AUX_ADDR[7:0] field with 0x0.
5. Software program the AUX_LENGTH field with 0x8.
6. Software set the SEND bit.
7. DSIX6 will transmit the following packet: <SYNC> <0x90> <0x00> <0x00> <0x07> <STOP>
8. Within 300µs, the eDP receiver will reply with the following: <SYNC> <0x00> <DATA0> <DATA1> <DATA2> <DATA3> <DATA4> <DATA5> <DATA6> <DATA7> <STOP>
9. DSIX6 will update AUX_RDATA0 thru AUX_RDATA7 with the data received from the eDP receiver.
10. DSIX6 will update the AUX_LENGTH field with 0x8 indicating eight bytes we received.
11. DSIX6 will then clear the SEND bit.
12. If enabled, the IRQ will get asserted to indicate to GPU that the Native Aux Read completed.
13. GPU should read from the Interrupt Status register to see if the Native Aux Read completed successfully.

I2C-Over-AUX

There are two methods available for I2C-Over-Aux: Direct Method (aka Clock stretching) and Indirect Method (CFR Read/Write).

Direct Method (Clock Stretching)

The Direct Method (Clock Stretching) involves delaying the acknowledge or data to the I²C Master by the DSIX6 driving the SCL pin low. Once the DSIX6 is ready to acknowledge an I²C write transaction or return read data for a I²C read transaction, the DSIX6 will tri-state the SCL pin therefore allowing the acknowledge cycle to complete.

In order to enable the Direct Method (Clock Stretching) software must do the following:

1. Program the 7-bit I²C slave address(s) into the I2C_ADDR_CLAIMx register(s).
2. Enable Direct Method by setting the I2C_CLAIMx_EN bit(s).

Indirect Method (CFR Read/Write)

The Indirect Method is intended to be used by a GPU which does NOT support the Direct Method (Clock Stretching). The Indirect Method involves programming the appropriate CFR registers. The Indirect Method is very similar to the Native Aux method described above.

Example of Indirect I²C Read of the EDID.

1. Program the AUX_CMD = 0x4, AUX_ADDR[7:0] = 0x50, and AUX_LENGTH = 0x00.
2. Set the SEND bit.
3. The DSIX6 will clear the SEND bit once the Request has been ACKed.
4. If SEND_INT_EN is enabled and IRQ_EN is enabled, an IRQ will be asserted. GPU should make sure no error flags are set. If no error flags are set, GPU should clear the SEND_INT flag and go to step 5.
5. Program the AUX_CMD = 0x4, AUX_ADD[7:0] = 0x50, AUX_LENGTH = 0x01, and AUX_WDATA0 = 0x00.
6. Set the SEND bit.
7. The DSIX6 will clear the SEND bit once the Request has been ACKed.
8. If SEND_INT_EN is enabled and IRQ_EN is enabled, an IRQ will be asserted. GPU should make sure no error flags are set. If no error flags are set, GPU should clear the SEND_INT flag and go to step 9.
9. Program the AUX_CMD = 0x5, AUX_ADDR[7:0] = 0x50, and AUX_LENGTH = 0x00.
10. Set the SEND bit.
11. The DSIX6 will clear the SEND bit once the Request has been ACKed.
12. If SEND_INT_EN is enabled and IRQ_EN is enabled, an IRQ will be asserted. GPU should make sure no error flags are set. If no error flags are set, GPU should clear the SEND_INT flag and go to step 13.
13. Program the AUX_CMD = 0x5, AUX_ADDR[7:0] = 0x50, and AUX_LENGTH = 0x10.
14. Set the SEND bit.
15. The DSIX6 will clear the SEND bit once the Request has been ACKed.
16. If SEND_INT_EN is enabled and IRQ_EN is enabled, an IRQ will be asserted. GPU should make sure no error flags are set. If no error flags are set, GPU should clear the SEND_INT flag, read data from AUX_RDATA0 thru AUX_DATA15, and go to step 13.
17. If read of EDID is complete, the go to step 18. If read of EDID is not complete, then go to Step 13.
18. Program the AUX_CMD = 0x1, AUX_ADDR[7:0] = 0x50, and AUX_LENGTH = 0x00.
19. Set the SEND bit.
20. The DSIX6 will clear the SEND bit once the Request has been ACKed.
21. If SEND_INT_EN is enabled and IRQ_EN is enabled, an IRQ will be asserted. GPU should make sure no error flags are set. If no error flags are set, GPU should clear the SEND_INT flag and go to step 22.
22. Read of EDID finished.

Example of an indirect I²C Write (Changing EDID Segment Pointer):

1. Program the AUX_CMD=0x4, AUX_ADDR[7:0]=0x30, and AUX_LENGTH=0x00.
2. Set the SEND bit.
3. The DSIX6 will clear the SEND bit once the Request has been ACKed.
4. If SEND_INT_EN is enabled and IRQ_EN is enabled, an IRQ will be asserted. GPU should make sure no error flags are set. If no error flags are set, GPU should clear the SEND_INT flag and go to step 5.
5. Program the AUX_CMD=0x4, AUX_ADDR[7:0]=0x30, AUX_LENGTH=0x01, and AUX_WDATA0 = 0x01.
6. Set the SEND bit.

7. The DSIX6 will clear the SEND bit once the Request has been ACKed.
8. If SEND_INT_EN is enabled and IRQ_EN is enabled, an IRQ will be asserted. GPU should make sure no error flags are set. If no error flags are set, GPU should clear the SEND_INT flag and go to step 9.
9. Program the AUX_CMD=0x0, AUX_ADDR[7:0]=0x30, and AUX_LENGTH=0x00.
10. Set the SEND bit.
11. The DSIX6 will clear the SEND bit once the Request has been ACKed.
12. If SEND_INT_EN is enabled and IRQ_EN is enabled, an IRQ will be asserted. GPU should make sure no error flags are set. If no error flags are set, GPU should clear the SEND_INT flag and go to step 13.
13. Finished.

The DSIX6 will handle all aspects of completing a request I2C-Over-Aux Read or Write. Once the requested Read or Write completes, the DSIX6 will clear the SEND bit and if an error occurred, the DSIX6 will set the NAT_I2C_FAILED flag. The NAT_I2C_FAILED flag will get set if for some reason the slave NACK the I2C Address. If the Slave NACK without completing the entire request AUX_LENGTH, the DSIX6 will set the AUX_SHORT flag and update the AUX_LENGTH register with the amount of data completed and then clear the SEND bit. Upon clearing the SEND bit and if IRQ assertion is enabled, the DSIX6 will assert IRQ.

DisplayPort PLL

By default, the DisplayPort PLL is disabled (DP_PLL_EN = 0). In order to perform any operations over the DisplayPort Main link interface, the DP_PLL_EN must be enabled. Before enabling the DisplayPort PLL, software must program the DP_DATARATE register with the desired datarate. Also if SSC is going to be used, the SSC_ENABLE and SSC_SPREAD should also be programmed. Once the DP_PLL_EN is programmed to 1, software should wait until the DP_PLL_LOCK bit is set before performing any DisplayPort Main Link operations.

Depending on DSIX6 configuration, the amount of time for the DP PLL to lock will vary. [Table 14](#) describes the lock times for various configurations.

Table 14. DP_PLL Lock Times

REFCLK_FREQ	SSC_ENABLE	Maximum Lock Time
0	X	20 μ s + (1152 \times T _{REFCLK})
1	X	
2	X	
4	X	
3	1	
3	0	20 μ s + (128 \times T _{REFCLK})

DP Output VOD and Pre-emphasis Settings

The DSIX6 has user configurable VOD, pre-emphasis, and post-cursor2 levels. The post cursor 2 level is defined by the DP_POST_CURSOR2 level. The VOD and pre-emphasis levels are defined by the *DP Link Training Lookup Table*. The defaults settings from this lookup table are described in [Table 15](#).

Table 15. Pre-Emphasis Default Settings

VOD LEVEL	PRE-EMPHASIS			
	LEVEL 0	LEVEL 1	LEVEL 2	LEVEL 3
Level 0 (400 mV)	Enabled (0 dB)	Enabled (3.74 dB)	Enabled (6.02 dB)	Disabled
Level 1 (600 mV)	Enabled (0 dB)	Enabled (3.10 dB)	Enabled (5.19 dB)	Disabled
Level 2 (800 mV)	Enabled (0 dB)	Enabled (2.50 dB)	Disabled	Disabled
Level 3	Disabled	Disabled	Disabled	Disabled

All of these default values can be changed by modifying the values in the DP Link Training Lookup Table

DP Main Link Configurability

The SN65DSIX6 has four physical DisplayPort lanes and each physical lane can be assigned to one specific logical lane. By default, physical lanes 0 thru 3 are mapped to logical lanes 0 thru 3. When routing between the SN65DSIX6 and a non-standard eDP receptacle, the physical to logical lane mapping can be changed so that PCB routing complexity is minimized. [Table 16](#) depicts the supported logical to physical combinations based on the number of lanes programmed into the DP_NUM_LANES registers.

Table 16. Logical to Physical Supported Combinations

DP_NUM_LANES	LN0_ASSIGN	LN1_ASSIGN	LN2_ASSIGN	LN3_ASSIGN
1	0 or 1. 0 is recommended.			
2	0 or 1	0 or 1		
4	0, 1, 2, or 3	0, 1, 2, or 3	0, 1, 2, or 3	0, 1, 2, or 3

Note the DSIX6's DisplayPort logic uses clocks from physical lane 0, and therefore these clocks from physical lane 0 will be active whenever the DP PLL is enabled. When using less than four DP lanes, the optimal power consumption is achieved by always using physical lane 0.

DP Main Link Training

The DSIX6 supports four methods to train the DisplayPort link:

1. Manual Training
2. Fast Training
3. Semi Auto Training
4. Redriver Semi Auto Training

Note it is software responsibility to enable the Display Authentication Method in the eDP Display before any link training can be performed. The DSIX6 is enabled for ASSR authentication method by default. The DSIX6 supports Enhanced Framing. If the eDP panel supports DPCD Revision 1.2 or higher, software must enable the Enhanced Framing Mode.

Manual Link Training

This method is completely under software control. Software is required to handle the entire link training process.

Fast Link Training

In order to use the Fast Training method, there must be prior knowledge of the eDP receiver capabilities. Software must program both the DSIX6 and the eDP receiver with pre-calibrated parameters (DP_TX_SWING, DP_PRE_EMPHASIS, DP_NUM_LANES, and DP_DATARATE). Upon completing the programming of the pre-calibrated settings, software must transition the ML_TX_MODE to Fast Link Training. If TPS1 during Fast Link Training is enabled, DSIX6 will then transmit the clock recovery pattern (TPS1) for at least 500us and then transition ML_TX_MODE to normal. If TPS2 during Fast Link training is enabled, then after the TPS1, the DSIX6 will transmit TPS2 for 500us before transitioning ML_TX_MODE to normal. If neither TPS1 nor TPS2 during Fast Link Training is enabled, then the DSIX6 will transition straight to normal mode.

NOTE

GPU should determine if the eDP Display supports Fast Link training by reading the NO_AUX_HANDSHAKE_LINK_TRAINING bit at DCPD address 0x00003 bit 6. If this bit is set, then the eDP Display supports Fast Link Training.

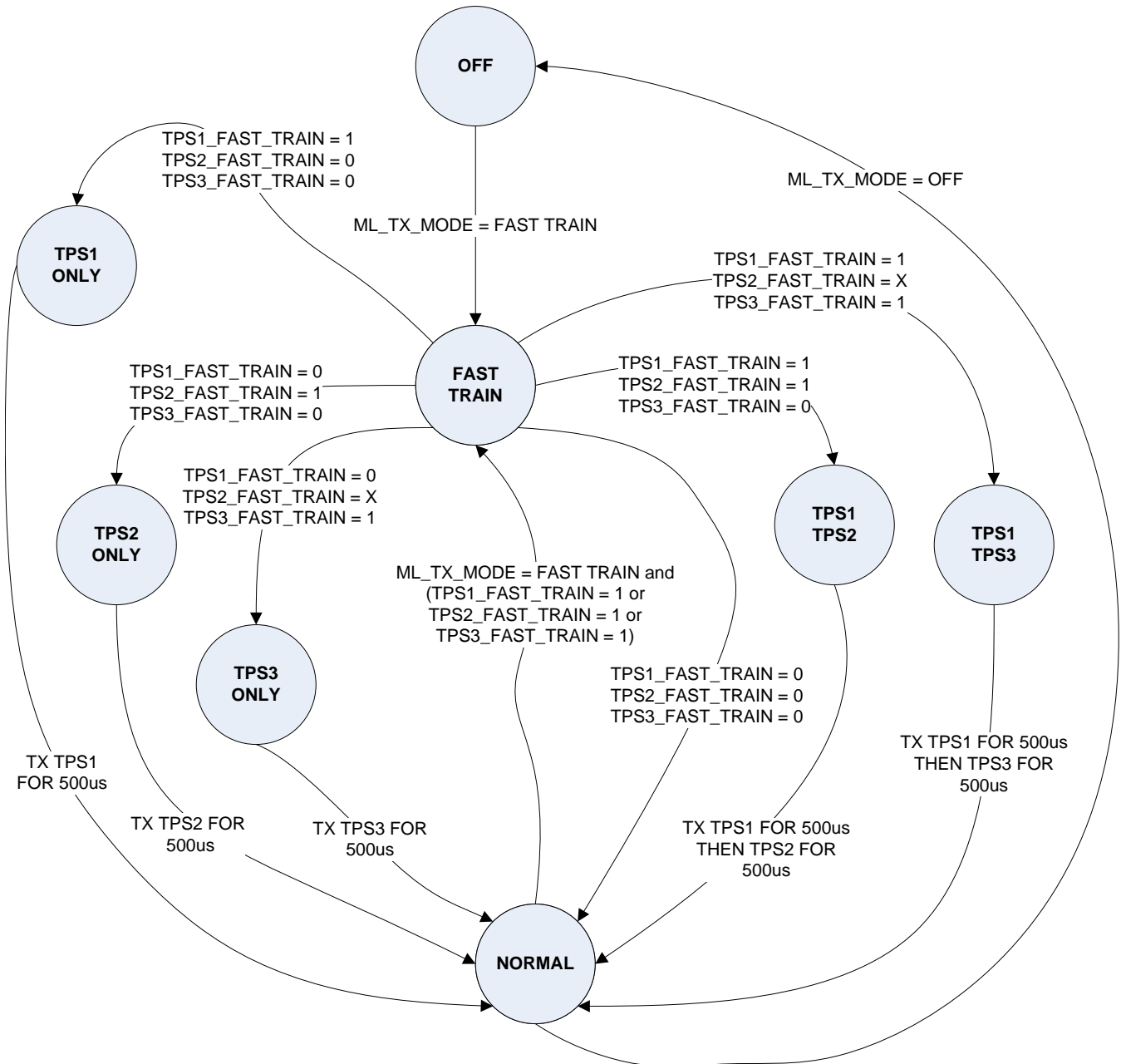


Figure 16. Fast-Link Training State Diagram

Semi Auto Link Training

In order to use the semi auto link training mode, software must first program the target DP_NUM_LANES and DP_DATARATE. Once these fields have been programmed, software can then transition the ML_TX_MODE to Semi Auto Link Training. The DSIX6 will then attempt to train the DisplayPort link at the specified datarate and number of lanes. The DSIX6 will try all possible combinations of DP_PRE_EMPHASIS and DP_TX_SWING. Training will end as soon as a passing combination is found or all combinations have been tried and failed. The possible combinations are determined by the setting in the DP Link Training LUT registers. If training is successful, the DSIX6 will update the DP_POST_CURSOR2, DP_PRE_EMPHASIS, and DP_TX_SWING with

the passing combination and then transition the ML_TX_MODE to normal. If training is unsuccessful, the DSIX6 will transition the ML_TX_MODE to Main Link Off. If enabled, the DSI will assert the IRQ pin whether or not training was successful. Software will then need to specify a different target DP_NUM_LANES and DP_DATARATE and then transition the ML_TX_MODE to Semi Auto Link Training. This process is repeated until successful link training occurs.

NOTE

Once software has enabled Semi-Auto Linking training, software must wait for the training to complete before performing any AUX transactions (Native Aux or I2C-Over-Aux).

Redriver Semi Auto Link Training

In some systems a DisplayPort redriver (like the DP130) would sit between the SN65DSIX6 and the eDP panel. In these applications, it is important to train the DisplayPort link between the DSIX6 and the redriver to one setting and training the link between the redriver and the eDP panel to a different setting. For this application, Redriver Semi Auto Link training can be used.

Redriver Semi Auto Link training is essentially the same as Semi Auto Link training with one major difference. That difference is Redriver Semi Auto Link Training will never change the DP_TX_SWING, DP_PRE_EMPHASIS, and DP_POST_CURSOR2 levels being driven by the SN65DSIX6. These settings will always stay fixed to their programmed values. The SN65DSIX6 will still send all aux requests to the eDP panel's DPCD registers. The redriver will snoop these aux transactions and train the link between it and the eDP panel.

Panel Size vs DP Configuration

Table 17 is provided as a guideline of the best DP configuration (datarate and number of lanes) for a specific video resolution and color depth. The preferred (P) setting assumes the eDP panel supports the 5.4Gbps datarate.

Table 17. Recommended DP Configuration

Common Video Mode Name	VESA Timing Name (Horizontal x Vertical at Frame Rate)	Pixel Clock Rate (MHz)	RGB666				RGB888			
			Stream Bit Rate (Gbps)	Required Number of DP Lanes at			Stream Bit Rate (Gbps)	Required Number of DP Lanes at		
				1.62Gbps	2.7Gbps	5.4Gbps		1.62Gbps	2.7Gbps	5.4Gbps
XGA	1024x768 @ 60Hz CVT (Reduced Blanking)	56	1.01	1 (P)	1	1	1.34	2	1 (P)	1
WXGA	1280x768 @ 60Hz CVT (Reduced Blanking)	68	1.23	1 (P)	1	1	1.64	2	1 (P)	1
WXGA	1280x800 @ 60Hz CVT (Reduced Blanking)	71	1.28	1 (P)	1	1	1.7	2	1 (P)	1
HD	1366x768 @ 60Hz	86	1.54	2	1 (P)	1	2.05	2	1 (P)	1
WXGA+	1440x900 @ 60Hz CVT (Reduced Blanking)	89	1.6	2	1 (P)	1	2.13	2	1 (P)	1
SXGA+	1400x1050 @ 60Hz CVT (Reduced Blanking)	101	1.82	2	1 (P)	1	2.42	2	2	1 (P)
HD+	1600x900 @ 60Hz (Reduced Blanking)	108	1.94	2	1 (P)	1	2.59	4	2	1 (P)
WSXGA+	1680x1050 @ 60Hz CVT (Reduced Blanking)	119	2.12	2	1 (P)	1	2.86	4	2	1 (P)
UXGA	1600x1200 @ 60Hz CVT (Reduced Blanking)	130	2.34	2	2	1 (P)	3.13	4	2	1 (P)
FHD	1920x1080 @ 60Hz	149	2.67	4	2	1 (P)	3.56	4	2	1 (P)
WUXGA	1920x1200 @ 60Hz CVT (Reduced Blanking)	154	2.77	4	2	1 (P)	3.7	4	2	1 (P)
WQXGA	2560x1600 @60Hz CVT (Reduced Blanking)	269	4.83	4	4	2 (P)	6.44	NA	4	2 (P)

Panel Self Refresh (PSR)

The Panel Self Refresh feature enables system-level power savings when the displayed image remains static for multiple display frames. The eDP display (Sink) stores a static image locally in a remote frame buffer (RFB) within the sink and displays this image from the RFB while the eDP Main link may be turned off (SUSPEND asserted). The DSIX6 may turn off other features in addition to the main link for further power savings. The system software makes the determination on what power savings shall be implemented (like shutdown of DP link (SUSPEND asserted), shutdown of entire DSIX6 (EN de-asserted), etc.). When implementing PSR, any power savings must not impact system responsiveness to user input that affects the display, such as cursor movement.

The list below are the requirements the GPU and system designer must meet when implementing PSR:

1. Updates to the remote frame buffer located in sink must include two of the same static frame. The reason for this requirement is the DSIX6 will never pass the first frame received on the DSI interface to the DisplayPort interface. All subsequent frames will be passed to the DisplayPort interface.
2. If PWM signal is controlled directly by the DSIX6 and SUSPEND asserted, the REFCLK must remain active.
3. Changes in ambient light level must be relayed to the DSI96 along with updates to the remote frame buffer in the sink.
4. Sink CRC verification must be disabled when the Assertive Display core is enabled. (applies only to the SN65DSI96)

Secondary Data Packet (SDP)

All secondary data packets (SDP) are provided to the DSIX6 through the DSI interface during vertical blanking periods. (SDP are not supported using the I2C interface). The DSIX6 will wrap the SDP provided to the DSI interface with the SS and SE control symbols and then transmit over the DP interface during the vertical blanking period. Secondary data packets are used to pass non-active video data to the eDP sink. Information like stereo video attributes and/or PSR-state data is sent using SDP. When SDP is used for stereo video attributes, software must program the MSA_MISC1_2_1 register with a zero.

The DSIX6 requires that the SDP be provided to the DSI interface in the following order:

1. 4 Bytes of Header (HB0 thru HB3)
2. 4 Bytes of Header parity (PB0 thru PB3)
3. 8 Bytes of Data (DB0 thru DB7)
4. 2 Bytes of Data parity (PB4 and PB5)
5. 8 Bytes of Data (DB8 thru DB15)
6. 2 Bytes of Data parity (PB6 and PB7)

For data payloads greater than 16 bytes, data must be provided in multiples of 8 bytes with of 2 bytes of parity. If the final multiple is less than 8, zero padding must be used to fill the remaining data positions.

Color Bar Generator

The DSIX6 implements a SMPTE color bar. The color bar generator does not require the DSI interface. All color bars will be transmitted at a 60Hz frame rate. The active video size of the Color bar is determined by the values programmed into the Video Registers.

The color bar generator supports the following color bars for both horizontal and vertical direction:

1. 8 color {White, Yellow, Cyan, Green, Magenta, Red, Blue, Black}
2. 8 gray scale {White, Light Gray, Gray, Light Slate Gray, Slate Gray, Dim Gray, Dark Slate Gray, Black}
3. 3 color {Red, Green, Blue}
4. Stripes {White, Black}. Every other pixel (pixel1 = white, pixel2 = black, pixel3 = white, etc...).

Table 18. 24-bit RGB Color Codes

Color	Red	Green	Blue
Black	0x00	0x00	0x00
Red	0xFF	0x00	0x00
Green	0x00	0xFF	0x00
Blue	0x00	0x00	0xFF
Yellow	0xFF	0xFF	0x00
White	0xFF	0xFF	0xFF
Magenta	0xFF	0x00	0xFF
Cyan	0x00	0xFF	0xFF
Gray	0xBE	0xBE	0xBE
Light Gray	0xD3	0xD3	0xD3
Light Slate Gray	0x77	0x88	0x99
Slate Gray	0x70	0x80	0x90
Dim Gray	0x69	0x69	0x69
Dark Slate Gray	0x2F	0x4F	0x4F

NOTE

Both VSTREAM_ENABLE and Color_Bar_En must be set in order to transmit Color Bar over DisplayPort interface. Also, ML_TX_MODE must be programmed to Normal Mode.

DP Pattern

DSIX6 supports the training and compliance patterns mentioned in [Table 19](#). The value of ML_TX_MODE register controls what pattern will be transmitted.

Table 19. DP Training and Compliance Patterns

PATTERN	[DP] SECTION
IDLE	5.1.3.1
TPS1	Table 3-16 and 2.9.3.6.1
TPS2	Table 3-16
TPS3	Table 3-16
PRBS7	Table 2-75 address 0x00102.
HBR2 Compliance Eye ⁽¹⁾	2.9.3.6.5
Symbol Error Rate Measurement ⁽¹⁾	2.9.3.6.2 and 2.10.4
80 bit Customer Pattern	2.9.3.6.4

- (1) HBR2 Compliance Eye and Symbol Error Rate Measurement require TEST2 pin to be pulled up before the assertion of EN and software program a '1' to bit 0 of offset 0x16 at Page 7 followed by a write of '0' to bit 0 of offset 0x5A at Page 0 before writing either a 0x6 or 0x7 to ML_TX_MODE register.

HBR2 Compliance Eye

When the ML_TX_MODE is set to HBR2 Compliance Eye, the SN65DSIX6 will use the value programmed into the HBR2_COMPEYEPAT_LENGTH register to determine the number of scrambled 0 before transmitting an Enhanced Frame Scrambler Reset sequence. The Enhanced Framing Scrambler Reset sequence used is determined by ENCH_FRAME_PATT register.

Table 20. Common 80-bit Custom Patterns

Byte#	PLTPAT	PCTPAT
0	0x1F	0x1F
1	0x7C	0x7C
2	0xF0	0xF0
3	0xC1	0xC1
4	0x07	0xCC
5	0x1F	0xCC
6	0x7C	0xCC
7	0xF0	0x4C
8	0xC1	0x55
9	0x07	0x55

80-Bit Custom Pattern

The 80-bit Custom pattern is used for generating the Post Cursor2 Test Pattern (PCTPAT) and the Pre-Emphasis Level Test Pattern (PLTPAT). The SN65DSIX6 will continuously transmit the value programmed into the *80BIT_CUSTOM_PATTERN* registers when the *ML_TX_MODE* is programmed to 80-bit Custom Pattern. The SN65DSIX6 will always transmit over the enabled DisplayPort Lanes the lsb of the byte first and the msb of the byte last. The byte at the lowest address is transmitted first.

BPP Conversion

The SN65DSIX6 transmits either 18bpp or 24bpp over the DisplayPort interface based on the *DP_18BPP_EN* bit. When this bit is cleared and 18bpp is being received on DSI interface, the SN65DSIX6 performs the following translation of the 18bpp into 24bpp: $new[7:0] = \{original[5:0], original[5:4]\}$. When the *DP_18BPP_EN* bit is set and 24bpp is being received on DSI interface, the SN65DSIX6 performs the following translation of 24bpp to 18bpp: $new[5:0] = original[7:2]$.

ASSERTIVE DISPLAY (SN65DSI96 ONLY)

Integrated into the SN65DSI96 is an adaptive content management and backlight control core called *Assertive Display*. The *Assertive Display* core's purpose is to optimize the viewing experience on a multimedia display as a function of viewing environment. It provides coherent management of the multimedia viewing experience from total darkness to bright ambient light conditions enabling the display to operate at reduced power and in bright sunshine.

The *Assertive Display* core achieves this via a combination of advanced pixel mapping and adaptive backlight control techniques. These techniques are based upon control algorithms that model the way the human eye adapts to changes both to the content displayed on the device and changes in the viewing environment, including the periphery of the visual field. The objective is to minimize the effect of these changes on the viewing experience perceived by the user.

The primary functions of the *Assertive Display* core are summarized in the table below:

FUNCTION	DESCRIPTION
Backlight adaptation to ambient light	Calculates the optimal backlight value at a given ambient light level, based on a calibrated model of human eye adaptation to the ambient light environment. This ensures maximum viewing comfort and maximum display power consumption.
Content adaptation to ambient light	Adjusts the values of individual pixels in the video stream to match content dynamic range with screen contrast ratio under all viewing conditions. This ensures that content appearance is as close as possible to original content creator's intention. Furthermore, this enables multimedia viewing on standard emissive displays in bright sunshine.
Display power reduction	Enables adjustment of the display brightness profile to achieve large power savings while preserving a high-quality viewing experience.
Content adaptation to display contrast	In low-light viewing conditions, adapts multimedia content intended for use on displays with contrast ratio in excess of 5000:1 to the lower contrast ratio of a portable display.

FUNCTION	DESCRIPTION
Content adaptation to field of view	Compensates for the limitation in human vision, specifically that contrast ratios in excess of 100:1 cannot be resolved on small displays.

Refer to the SN65DSI96 TRM for more details (operation, register set, etc...) on the Assertive Display core.

LOCAL I²C INTERFACE OVERVIEW

The SN65DSIX6 local I²C interface is enabled when EN is input high, access to the CSR registers is supported during ultra-low power state (ULPS). The SCL and SDA terminals are used for I²C clock and I²C data respectively. The SN65DSIX6 I²C interface conforms to the two-wire serial interface defined by the I²C Bus Specification, Version 2.1 (January 2000), and supports fast mode transfers up to 400 kbps.

The device address byte is the first byte received following the START condition from the master device. The 7 bit device address for SN65DSIX6 is factory preset to 010110X with the least significant bit being determined by the ADDR control input. [Table 21](#) clarifies the SN65DSIX6 target address.

Table 21. SN65DSIX6 I²C Target Address Description

SN65DSIX6 I ² C TARGET Address							
Bit 7 (MSB)	Bit 6	Bit 5	Bit 4	Bit 3	Bit 2	Bit 1	Bit 0 (W/R)
0	1	0	1	1	0	ADDR	0/1

When ADDR=1, Address Cycle is 0x5A (Write) and 0x5B (Read)

When ADDR=0, Address Cycle is 0x58 (Write) and 0x59 (Read)

The following procedure is followed to write to the SN65DSIX6 I2C registers:

1. The master initiates a write operation by generating a start condition (S), followed by the SN65DSIX6 7-bit address and a zero-value "W/R" bit to indicate a write cycle
2. The master presents the sub-address (I²C register within SN65DSIX6) to be written, consisting of one byte of data, MSB-first
3. The master presents the sub-address (I²C register within SN65DSIX6) to be written, consisting of one byte of data, MSB-first
4. The SN65DSIX6 acknowledges the sub-address cycle
5. The master presents the first byte of data to be written to the (I²C register
6. The SN65DSIX6 acknowledges the byte transfer
7. The master terminates the write operation by generating a stop condition (P)
8. The master terminates the write operation by generating a stop condition (P)

The following procedure is followed to read the SN65DSIX6 I²C registers:

1. The master initiates a read operation by generating a start condition (S), followed by the SN65DSIX6 7-bit address and a one-value "W/R" bit to indicate a read cycle
2. The SN65DSIX6 acknowledges the address cycle
3. The SN65DSIX6 transmit the contents of the memory registers MSB-first starting at register 00h or last read sub-address+1. If a write to the SN65DSIX6 I2C register occurred prior to the read, then the SN65DSIX6 will start at the sub-address specified in the write.
4. The SN65DSIX6 will wait for either an acknowledge (ACK) or a not-acknowledge (NACK) from the master after each byte transfer; the I2C master acknowledges reception of each data byte transfer
5. If an ACK is received, the SN65DSIX6 transmits the next byte of data
6. The master terminates the read operation by generating a stop condition (P)

The following procedure is followed for setting a starting sub-address for I2C reads:

1. The master initiates a write operation by generating a start condition (S), followed by the SN65DSIX6 7-bit address and a zero-value "W/R" bit to indicate a write cycle
2. The SN65DSIX6 acknowledges the address cycle
3. The master presents the sub-address (I²C register within SN65DSIX6) to be written, consisting of one byte of data, MSB-first

4. The SN65DSIX6 acknowledges the sub-address cycle
5. The master terminates the write operation by generating a stop condition (P)

Note if no sub-addressing is included for the read procedure, and reads start at register offset 00h and continue byte by byte through the registers until the I²C master terminates the read operation. If a I2C write occurred prior to the read, then the reads start at the sub-address specified by the write.

CONTROL AND STATUS REGISTERS OVERVIEW

Many of the SN65DSIX6 functions are controlled by the Control and Status Registers (CSR). All CSR registers are accessible through the local I²C interface or through DSI interface.

Reads from reserved fields not described return zeros, and writes to read-only reserved registers are ignored. Writes to reserved register which are marked with 'W' will produce unexpected behavior.

Table 22. Bit Field Access Tag Descriptions

ACCESS TAG	NAME	MEANING
R	Read	The field may be read by software
W	Write	The field may be written by software
S	Set	The field may be set by a write of one. Writes of zeros to the field have no effect.
C	Clear	The field may be cleared by a write of one. Write of zero to the field have no effect.
U	Update	Hardware may autonomously update this field.
NA	No Access	Not accessible or not applicable

Register Map

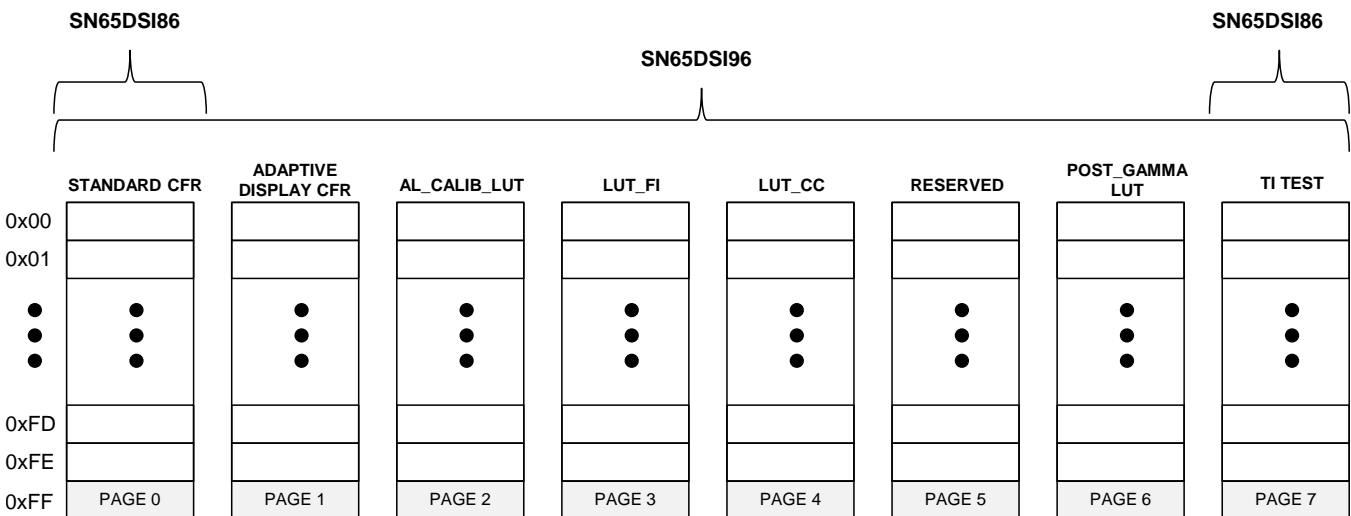


Figure 17. Register Map

Standard CFR Registers (PAGE 0)
Table 23. CSR Bit Field Definitions – ID Registers

ADDRESS	BIT(S)	DESCRIPTION	ACCESS
0x00 – 0x07	7:0	DEVICE_ID For the SN65DSI86 these fields return a string of ASCII characters returning “DSI86” preceded by three space characters. Addresses 0x07 - 0x00 = {0x20, 0x20, 0x20, 0x44, 0x53, 0x49, 0x38, 0x36} For the SN65DSI96 these fields return a string of ASCII characters returning “DSI96” preceded by three space characters. Addresses 0x07 - 0x00 = {0x20, 0x20, 0x20, 0x44, 0x53, 0x49, 0x39, 0x36}	R
0x08	7:0	DEVICE_REV Device revision; returns 0x02.	

Table 24. CSR Bit Field Definitions – Reset and Clock Registers

ADDRESS	BIT(S)	DESCRIPTION	ACCESS	
0x09	0	SOFT_RESET This bit automatically clears when set to ‘1’ and returns zeros when read. This bit must be set after the CSR’s are updated. This bit must also be set after making any changes to the DIS clock rate or after changing between DSI burst and non-burst modes. 0 – No action (default) 1 – Reset device to default condition excluding the CSR bits.	W	
0x0A	7	DP_PLL_LOCK 0 – DP_PLL not locked (default) 1 – DP_PLL locked	R	
	6:4	Reserved	R	
	3:1	REFCLK_FREQ. This field is used to control the clock source and frequency select inputs to the DP PLL. Any change in this field will cause the DP PLL to reacquire lock. On the rising edge of EN the DSIX6 will sample the state of GPIO[3:1] as well as detect the presence or absence of a clock on REFCLK pin. The outcome will determine whether the clock source for the DP PLL is from the REFCLK pin or the DSIA CLK. The outcome will also determine the frequency of the clock source.		RWU
		DPPLL_CLK_SRC = 0 000 – 12 MHz 001 – 19.2 MHz (Default) 010 – 26 MHz 011 – 27 MHz 100 – 38.4 MHz All other combinations are 19.2 MHz	DPPLL_CLK_SRC = 1 000 – Continuous DSIA CLK at 468 MHz 001 – Continuous DSIA CLK at 384 MHz 010 – Continuous DSIA CLK at 416 MHz 011 – Continuous DSIA CLK at 486 MHz 100 – Continuous DSIA CLK at 460.8 MHz All other combinations are DSIA CLK at 384 MHz.	
0	DPPLL_CLK_SRC. This status field indicates the outcome of the clock detection on the REFCLK pin. 0 – Clock detected on REFCLK pin. DP_PLL clock derived from input REFCLK (default). 1 – No clock detected on REFCLK pin. DP_PLL clock derived from MIPI D-PHY channel A HS continuous clock	RU		
0x0B	7:0	Reserved	R	
0x0C	7:0	Reserved	R	
0x0D	0	DP_PLL_EN When this bit is set, the DP PLL is enabled 0 – PLL disabled (default) 1 – PLL enabled	RW	

Table 25. CSR Bit Field Definitions – DSI Registers

ADDRESS	BIT(S)	DESCRIPTION	ACCESS
0x10	7	LEFT_RIGHT_PIXELS This bit selects the pixel arrangement in dual channel DSI implementations. 0 – DSI channel A receives ODD pixels and channel B receives EVEN (default) 1 – DSI channel A receives LEFT image pixels and channel B receives RIGHT image pixels	RW
	6:5	DSI_CHANNEL_MODE 00 – Dual-channel DSI receiver 01 – Single channel DSI receiver A (default) 10 – Reserved. 11 – Reserved	RW
	4:3	CHA_DSI_LANES This field controls the number of lanes that are enabled for DSI Channel A. 00 – Four lanes are enabled 01 – Three lanes are enabled 10 – Two lanes are enabled 11 – One lane is enabled (default) Note: Unused DSI inputs pins on the SN65DSIX6 should be left unconnected.	RW
	2:1	CHB_DSI_LANES This field controls the number of lanes that are enabled for DSI Channel B. 00 – Four lanes are enabled 01 – Three lanes are enabled 10 – Two lanes are enabled 11 – One lane is enabled (default) Note: Unused DSI inputs pins on the SN65DSIX6 should be left unconnected.	RW
	0	SOT_ERR_TOL_DIS 0 – Single bit errors are tolerated for the start of transaction SoT leader sequence (default) 1 – No SoT bit errors are tolerated	RW
0x11	7:6	CHA_DSI_DATA_EQ This field controls the equalization for the DSI Channel A Data Lanes 00 – No equalization (default) 01 – Reserved 10 – 1 dB equalization 11 – 2 dB equalization	RW
	5:4	CHB_DSI_DATA_EQ This field controls the equalization for the DSI Channel B Data Lanes 00 – No equalization (default) 01 – Reserved 10 – 1 dB equalization 11 – 2 dB equalization	RW
	3:2	CHA_DSI_CLK_EQ This field controls the equalization for the DSI Channel A Clock 00 – No equalization (default) 01 – Reserved 10 – 1 dB equalization 11 – 2 dB equalization	RW
	1:0	CHB_DSI_CLK_EQ This field controls the equalization for the DSI Channel A Clock 00 – No equalization (default) 01 – Reserved. 10 – 1 dB equalization 11 – 2dB equalization	RW

Table 25. CSR Bit Field Definitions – DSI Registers (continued)

ADDRESS	BIT(S)	DESCRIPTION	ACCESS
0x12	7:0	CHA_DSI_CLK_RANGE This field specifies the DSI clock frequency range in 5MHz increments for DSI Channel A clock. The DSIX6 will estimate the DSI clock frequency using the REFCLK frequency determined at the rising edge of EN and update this field accordingly. Software can override this value. . If the CHA_DSI_CLK_RANGE is not loaded before receiving the first DSI packet, the DSIX6 will use the first packet to estimate the DSI_CLK frequency and load this field with this estimate. This first packet may not be received; thus, the host should send a first dummy packet (such as DSI read or write to register 0x00). This field may be written by the host at any time. Any non-zero value written by the host will be used instead of the automatically estimated value. 0x00 - 0x07: Reserved 0x08 – 40 ≤ frequency < 45 MHz 0x09 – 45 ≤ frequency < 50 MHz . . . 0x96 – 750 ≤ frequency < 755 MHz 0x97 – 0xFF: Reserved	RWU
0x13	7:0	CHB_DSI_CLK_RANGE This field specifies the DSI clock frequency range in 5MHz increments for DSI Channel B clock. The DSIX6 will estimate the DSI clock frequency using the REFCLK frequency determined at the rising edge of EN and update this field accordingly. Software can override this value. If the CHB_DSI_CLK_RANGE is not loaded before receiving the first DSI packet, the DSIX6 will use the first packet to estimate the DSI_CLK frequency and load this field with this estimate. This first packet may not be received; thus, the host should send a first dummy packet (such as DSI read or write to register 0x00). This field may be written by the host at any time. Any non-zero value written by the host will be used instead of the automatically estimated value. 0x00 - 0x07: Reserved 0x08 – 40 ≤ frequency < 45 MHz 0x09 – 45 ≤ frequency < 50 MHz . . . 0x96 – 750 ≤ frequency < 755 MHz 0x97 – 0xFF: Reserved	RWU

Table 26. CSR Bit Field Definitions – Video Registers

ADDRESS	BIT(S)	DESCRIPTION	ACCESS
0x20	7:0	CHA_ACTIVE_LINE_LENGTH_LOW When the SN65DSIX6 is configured for a single DSI input, this field controls the length in pixels of the active horizontal line for Channel A. When configured for Dual DSI Inputs in Odd/Even mode, this field controls the number of odd pixels in the active horizontal line that are received on DSI channel A. When configured for Dual DSI inputs in Left/Right mode, this field controls the number of left pixels in the active horizontal line that are received on DSI channel A. The value in this field is the lower 8 bits of the 12-bit value for the horizontal line length. This field defaults to 0x00. Note: When the SN65DSIX6 is configured for dual DSI inputs in Left/Right mode and LEFT_CROP field is programmed to a value other than 0x00, the CHA_ACTIVE_LINE_LENGTH_LOW/HIGH registers must be programmed to the number of active pixels in the Left portion of the line after LEFT_CROP has been applied.	RW
0x21	3:0	CHA_ACTIVE_LINE_LENGTH_HIGH When the SN65DSIX6 is configured for a single DSI input, this field controls the length in pixels of the active horizontal line for Channel A. When configured for Dual DSI Inputs in Odd/Even mode, this field controls the number of odd pixels in the active horizontal line that are received on DSI channel A. When configured for Dual DSI inputs in Left/Right mode, this field controls the number of left pixels in the active horizontal line that are received on DSI channel A. The value in this field is the upper 4 bits of the 12-bit value for the horizontal line length. This field defaults to 0x00. Note: When the SN65DSIX6 is configured for dual DSI inputs in Left/Right mode and LEFT_CROP field is programmed to a value other than 0x00, the CHA_ACTIVE_LINE_LENGTH_LOW/HIGH registers must be programmed to the number of active pixels in the Left portion of the line after LEFT_CROP has been applied.	RW

Table 26. CSR Bit Field Definitions – Video Registers (continued)

ADDRESS	BIT(S)	DESCRIPTION	ACCESS
0x22	7:0	<p>CHB_ACTIVE_LINE_LENGTH_LOW</p> <p>When configured for Dual DSI Inputs in Odd/Even mode, this field controls the number of even pixels in the active horizontal line that are received on DSI channel B. When configured for Dual DSI inputs in Left/Right mode, this field controls the number of right pixels in the active horizontal line that are received on DSI channel B. The value in this field is the lower 8 bits of the 12-bit value for the horizontal line length. This field defaults to 0x00.</p> <p>Note: When the SN65DSIX6 is configured for dual DSI inputs in Left/Right mode and RIGHT_CROP field is programmed to a value other than 0x00, the CHB_ACTIVE_LINE_LENGTH_LOW/HIGH registers must be programmed to the number of active pixels in the Right portion of the line after RIGHT_CROP has been applied.</p>	RW
0x23	3:0	<p>CHB_ACTIVE_LINE_LENGTH_HIGH</p> <p>When configured for Dual DSI Inputs in Odd/Even mode, this field controls the number of even pixels in the active horizontal line that are received on DSI channel B. When configured for Dual DSI inputs in Left/Right mode, this field controls the number of right pixels in the active horizontal line that are received on DSI channel B. The value in this field is the upper 4 bits of the 12-bit value for the horizontal line length. This field defaults to 0x00.</p> <p>Note: When the SN65DSIX6 is configured for dual DSI inputs in Left/Right mode and RIGHT_CROP field is programmed to a value other than 0x00, the CHB_ACTIVE_LINE_LENGTH_LOW/HIGH registers must be programmed to the number of active pixels in the Right portion of the line after RIGHT_CROP has been applied.</p>	RW
0x24	7:0	<p>CHA_VERTICAL_DISPLAY_SIZE_LOW</p> <p>This field controls the vertical display size in lines for Channel A. The value in this field is the lower 8 bits of the 12-bit value for the vertical display size. This field defaults to 0x00.</p>	RW
0x25	3:0	<p>CHA_VERTICAL_DISPLAY_SIZE_HIGH</p> <p>This field controls the vertical display size in lines for Channel A. The value in this field is the upper 4 bits of the 12-bit value for the vertical display size. This field defaults to 0x00.</p>	RW
0x26 – 0x2B	7:0	Reserved	R
0x2C	7:0	<p>CHA_HSYNC_PULSE_WIDTH_LOW</p> <p>This field controls the width in pixel clocks of the HSync Pulse Width for Channel A. The value in this field is the lower 8-bits of the 15-bit value for HSync Pulse width. This field defaults to 0x00.</p>	RW
0x2D	7	<p>CHA_HSYNC_POLARITY.</p> <p>0 – Active High Pulse. Synchronization signal is high for the sync pulse width. (default) 1 – Active Low Pulse. Synchronization signal is low for the sync pulse width.</p>	RW
	6:0	<p>CHA_HSYNC_PULSE_WIDTH_HIGH</p> <p>This field controls the width in pixel clocks of the HSync Pulse Width for Channel A. The value in this field is the upper 7-bits of the 15-bit value for HSync Pulse width. This field defaults to 0x00.</p>	RW
0x2E – 0x2F	7:0	Reserved.	R
0x30	7:0	<p>CHA_VSYNC_PULSE_WIDTH_LOW</p> <p>This field controls the length in lines of the VSync Pulse Width for Channel A. . The value in this field is the lower 8-bits of the 15-bit value for VSync Pulse width. This field defaults to 0x00. The total size of the VSYNC pulse width must be at least 1 line.</p>	RW
0x31	7	<p>CHA_VSYNC_POLARITY.</p> <p>0 – Active High Pulse. Synchronization signal is high for the sync pulse width. (Default) 1 – Active Low Pulse. Synchronization signal is low for the sync pulse width.</p>	RW
	6:0	<p>CHA_VSYNC_PULSE_WIDTH_HIGH</p> <p>This field controls the width in lines of the VSync Pulse Width for Channel A. The value in this field is the upper 7-bits of the 15-bit value for VSync Pulse width. This field defaults to 0x00. The total size of the VSYNC pulse width must be at least 1 line.</p>	RW
0x32 – 0x33	7:0	Reserved.	R
0x34	7:0	<p>CHA_HORIZONTAL_BACK_PORCH</p> <p>This field controls the time in pixel clocks between the end of the HSync Pulse and the start of the active video data for Channel A. This field defaults to 0x00.</p>	RW
0x35	7:0	Reserved.	R

Table 26. CSR Bit Field Definitions – Video Registers (continued)

ADDRESS	BIT(S)	DESCRIPTION	ACCESS
0x36	7:0	CHA_VERTICAL_BACK_PORCH This field controls the number of lines between the end of the VSync Pulse and the start of the active video data for Channel A. This field defaults to 0x00. The total size of the Vertical Back Porch must be at least 1 line.	RW
0x37	7:0	Reserved	R
0x38	7:0	CHA_HORIZONTAL_FRONT_PORCH This field controls the time in pixel clocks between the end of the active video data and the start of the HSync Pulse for Channel A. This field defaults to 0x00.	RW
0x39	7:0	Reserved.	R
0x3A	7:0	CHA_VERTICAL_FRONT_PORCH This field controls the number of lines between the end of the active video data and the start of the VSync Pulse for Channel A. This field defaults to 0x00. The total size of the Vertical Front Porch must be at least 1 line.	RW
0x3B	7:0	Reserved	R
0x3C	4	COLOR_BAR_EN. When this bit is set, the SN65DSIX6 will generate a video test pattern on DisplayPort based on the values programmed into the Video Registers for Channel A. 0 – Transmit of SMPTE color bar disabled. (default) 1 – Transmit of SMPTE color bar enabled.	RW
	3	Reserved.	R
	2:0	COLOR_BAR_PATTERN. 000 – Vertical Colors: 8 Color (Default) 001 – Vertical Colors: 8 Gray Scale 010 – Vertical Colors: 3 Color 011 – Vertical Colors: Stripes 100 – Horizontal Colors: 8 Color 101 – Horizontal Colors: 8 Gray Scale 110 – Horizontal Colors: 3 Color 111 – Horizontal Colors: Stripes	RW
0x3D	7:0	RIGHT_CROP. This field controls the number of pixels removed from the beginning of the active video line for DSI Channel B. This field only has meaning if the LEFT_RIGHT_PIXELS = 1. This field defaults to 0x00. Note: When the SN65DSIX6 is configured for dual DSI inputs in Left/Right mode and this field is programmed to a value other than 0x00, the CHB_ACTIVE_LINE_LENGTH_LOW/HIGH registers must be programmed to the number of active pixels in the Right portion of the line after RIGHT_CROP has been applied.	RW
0x3E	7:0	LEFT_CROP. This field controls the number of pixels removed from the end of the active video line for DSI Channel A. This field only has meaning if the LEFT_RIGHT_PIXELS = 1. This field defaults to 0x00. Note: When the SN65DSIX6 is configured for dual DSI inputs in Left/Right mode and this field is programmed to a value other than 0x00, the CHA_ACTIVE_LINE_LENGTH_LOW/HIGH registers must be programmed to the number of active pixels in the Left portion of the line after LEFT_CROP has been applied.	RW
0x3F	0	ADEN. This field is used to enable the Assertive Display core for theSN65DSI96. This field has no meaning for the SN65DSI86. Defaults to 0x0 which means the Assertive Display core is disabled.	RW

Table 27. CSR Bit Field Definitions – DisplayPort Specific Registers

ADDRESS	BIT(S)	DESCRIPTION	ACCESS
0x40	7:0	MVID[7:0].	RU
0x41	7:0	MVID[15:8]	RU
0x42	7:0	MVID[23:16]	RU
0x43	7:0	NVID[7:0].	RU
0x44	7:0	NVID[15:8]	RU
0x45	7:0	NVID[23:16]	RU
0x46	7:0	Htotal[7:0]. Defaults to 0x00.	RU

Table 27. CSR Bit Field Definitions – DisplayPort Specific Registers (continued)

ADDRESS	BIT(S)	DESCRIPTION	ACCESS
0x47	7:0	Htotal[15:8]. Defaults to 0x00.	RU
0x48	7:0	Vtotal[7:0]. Defaults to 0x00.	RU
0x49	7:0	Vtotal[15:8]. Defaults to 0x00.	RU
0x4A	7:0	Hstart[7:0]. Defaults to 0x00.	RU
0x4B	7:0	Hstart[15:8]. Defaults to 0x00.	RU
0x4C	7:0	Vstart[7:0]. Defaults to 0x00.	RU
0x4D	7:0	Vstart[15:8]. Defaults to 0x00.	RU
0x4E	7:0	HSW[7:0]. Defaults to 0x00.	RU
0x4F	7:0	HSP_HSW[15:8]. Defaults to 0x00.	RU
0x50	7:0	VSW[7:0]. Defaults to 0x00.	RU
0x51	7:0	VSP_VSW[15:8]. Defaults to 0x00.	RU
0x52	7:0	Hwidth[7:0]. Defaults to 0x00.	RU
0x53	7:0	Hwidth[15:8]. Defaults to 0x00.	RU
0x54	7:0	Vheight[7:0]. Defaults to 0x00.	RU
0x55	7:0	Vheight[15:8]. Defaults to 0x00.	RU
0x56	7:5	MSA_MISC0_7_5. This field represents the bits per color. 000 – 6 bits per color. 001 – 8 bits per color.(Default) Others are not supported.	RU
	4	MSA_MISC0_4. Defaults to zero.	RW
	3	MSA_MISC0_3. Defaults to zero.	RW
	2:1	MSA_MISC0_2_1. This field indicates the format of the data is either RGB, YCbCr(422 or 444). The DSIX6 only supports RGB so this field will always be 0x0. 00 – RGB (default)	RU
	0	MSA_MISC0_0. 0 – Link clock and stream clock are async. (default) 1 – Link clock and stream clock are sync.	RU
0x57	7	MSA_MISC1_7. Y-only video. The DSIX6 does not support this feature so this field defaults to zero.	R
	6:3	MSA_MISC1_6_3. Reserved. Default to 0x0.	R
	2:1	MSA_MISC1_2_1. This field is the stereo video attribute data. 00 – No 3D stereo video in-band signaling done using this field, indicating either no 3D stereo video transported or the in-band signaling done using SDP called Video Stream Configuration (VSC) packet. (Default) 01 – Next frame is Right Eye. 10 – Reserved. 11 – Next Frame is Left Eye.	RW
	0	MSA_MISC1_0. Default to zero.	R
0x58	7	TU_SIZE_OVERRIDE. This field is used to control whether DSIX6 determines Transfer Unit Size or the size is determine by the TU_SIZE field. 0 – DSIX6 determines TU size. (default) 1 – TU size is determined by TU_SIZE field.	RW
	6:0	TU_SIZE. This field is used to program the DisplayPort transfer Unit size. Valid values are between 32 (0x20) and 64 (0x40). Default is 64. When DSIX6 determines the TU size, the DSIX6 will update this register with the value determined by hardware. SN65DSIX6 will interpret all invalid values to be a transfer unit size of 64 (0x40).	RWU

Table 27. CSR Bit Field Definitions – DisplayPort Specific Registers (continued)

ADDRESS	BIT(S)	DESCRIPTION	ACCESS
0x59	7:6	LN3_ASSIGN. Refer to DP Main Link Configurability section in this document for supported logical to physical combinations based on DP_NUM_LANES. 00 – Logical Lane3 is routed to physical ML0P/N pins 01 – Logical Lane3 is routed to physical ML1P/N pins 10 – Logical Lane3 is routed to physical ML2P/N pins 11 – Logical Lane3 is routed to physical ML3P/N pins (default)	RW
	5:4	LN2_ASSIGN. Refer to DP Main Link Configurability section in this document for supported logical to physical combinations based on DP_NUM_LANES 00 – Logical Lane2 is routed to physical ML0P/N pins 01 – Logical Lane2 is routed to physical ML1P/N pins 10 – Logical Lane2 is routed to physical ML2P/N pins (default) 11 – Logical Lane2 is routed to physical ML3P/N pins.	RW
	3:2	LN1_ASSIGN. Refer to DP Main Link Configurability section in this document for supported logical to physical combinations based on DP_NUM_LANES 00 – Logical Lane1 is routed to physical ML0P/N pins 01 – Logical Lane1 is routed to physical ML1P/N pins (default) 10 – Logical Lane1 is routed to physical ML2P/N pins 11 – Logical Lane1 is routed to physical ML3P/N pins.	RW
	1:0	LN0_ASSIGN. Refer to DP Main Link Configurability section in this document for supported logical to physical combinations based on DP_NUM_LANES. 00 – Logical Lane0 is routed to physical ML0P/N pins (default) 01 – Logical Lane0 is routed to physical ML1P/N pins 10 – Logical Lane0 is routed to physical ML2P/N pins 11 – Logical Lane0 is routed to physical ML3P/N pins	RW
0x5A	7	ML3_POLR. When this field is set, the polarity of ML3, specified by LN3_ASSIGN, is inverted. 0 – ML3 polarity is normal (default) 1 – ML3 polarity is inverted.	RW
	6	ML2_POLR. When this field is set, the polarity of ML2, specified by LN2_ASSIGN, is inverted. 0 – ML2 polarity is normal (default) 1 – ML2 polarity is inverted.	RW
	5	ML1_POLR. When this field is set, the polarity of ML1, specified by LN1_ASSIGN, is inverted. 0 – ML1 polarity is normal (default) 1 – ML1 polarity is inverted.	RW
	4	ML0_POLR. When this field is set, the polarity of ML0, specified by LN0_ASSIGN, is inverted. 0 – ML0 polarity is normal (default) 1 – ML0 polarity is inverted.	RW
	3	VSTREAM_ENABLE. The DSIX6 will clear this field if the following conditions is true: Exiting SUSPEND and the PSR_EXIT_VIDEO bit is cleared. 0 – Video data from DSI is not passed to DisplayPort (default). IDLE pattern will be sent instead. 1 – Video data from DSI is passed to DisplayPort	RWU
	2	ENH_FRAME_ENABLE. If AUTHEN_METHOD is Alternate Framing, DSIX6 will automatically enable Enhanced Framing. 0 – Disable Enhanced Framing. 1 – Enable Enhanced Framing (default)	RWU
	1:0	Reserved. Defaults to 0x1.	R
0x5B	1	ENCH_FRAME_PATT 0 – SR BF BF SR or BS BF BF BS (Default) 1 – SR CP CP SR or BS CP CP BS	RW
	0	DP_18BPP_EN. If this field is set, then 18BPP format will be transmitted over eDP interface regardless of the DSI pixel stream datatype format. 0 – 24BPP RGB. (default) 1 – 18BPP RGB	RW
0x5C	4	HPD. Returns the state of the HPD pin after 100ms de-bounce	RU
	0	HPD_DISABLE 0 – HPD input is enabled. (default) 1 – HPD input is disabled	RW

Table 28. CSR Bit Field Definitions - GPIO Registers

ADDRESS	BIT(S)	DESCRIPTION	ACCESS
0x5E	7	GPIO4_INPUT. Returns the state of the GPIO4 pin.	RU
	6	GPIO3_INPUT. Returns the state of the GPIO3 pin.	RU
	5	GPIO2_INPUT. Returns the state of the GPIO2 pin.	RU
	4	GPIO1_INPUT. Returns the state of the GPIO1 pin.	RU
	3	GPIO4_OUTPUT. When GPIO4 Control is programmed to an Output, this field will control the output level of GPIO4. 0 – GPIO4 is driven to '0' (GND). (default) 1 – GPIO4 is driven to '1'.	RW
	2	GPIO3_OUTPUT. When GPIO3 Control is programmed to an Output, this field will control the output level of GPIO3. 0 – GPIO3 is driven to '0' (GND). (default) 1 – GPIO3 is driven to '1'.	RW
	1	GPIO2_OUTPUT. When GPIO2 Control is programmed to an Output, this field will control the output level of GPIO2. 0 – GPIO2 is driven to '0' (GND). (default) 1 – GPIO2 is driven to '1'.	RW
	0	GPIO1_OUTPUT. When GPIO1 Control is programmed to an Output, this field will control the output level of GPIO1. 0 – GPIO1 is driven to '0' (GND). (default) 1 – GPIO1 is driven to '1'.	RW
0x5F	7:6	GPIO4_CTRL 00 – Input (Default) 01 – Output 10 – PWM 11 – Reserved.	RW
	5:4	GPIO3_CTRL 00 – Input (Default) 01 – Output 10 – DSIA HSYNC or VSYNC 11 – Reserved	RW
	3:2	GPIO2_CTRL 00 – Input (Default) 01 – Output 10 – DSIA VSYNC 11 – Reserved	RW
	1:0	GPIO1_CTRL 00 – Input (Default) 01 – Output 10 – SUSPEND Input 11 – Reserved	RW

Table 29. CSR Bit Field Definitions - Native and I2C-Over-Aux Registers

ADDRESS	BIT(S)	DESCRIPTION	ACCESS
0x60	7:1	I2C_ADDR_CLAIM1. When I2C_CLAIM1_EN is enabled, the DSIX6 will claim I2C slave address programmed into this field. This register defaults to 0x50 which is the typical address for the EDID.	RW
	0	I2C_CLAIM1_EN 0 – Disable (default) 1 – Enable	RW
0x61	7:1	I2C_ADDR_CLAIM2. When I2C_CLAIM2_EN is enabled, the DSIX6 will claim I2C slave address programmed into this field. This register defaults to 0x30 which is the default segment pointer register.	RW
	0	I2C_CLAIM2_EN 0 – Disable (Default) 1 – Enable	RW

Table 29. CSR Bit Field Definitions - Native and I2C-Over-Aux Registers (continued)

ADDRESS	BIT(S)	DESCRIPTION	ACCESS
0x62	7:1	I2C_ADDR_CLAIM3. When I2C_CLAIM3_EN is enabled, the DSIX6 will claim I2C slave address programmed into this field. This register defaults to 0x52 which is the typical address for the EDID.	RW
	0	I2C_CLAIM3_EN 0 – Disable (Default) 1 – Enable	RW
0x63	7:1	I2C_ADDR_CLAIM4. When I2C_CLAIM4_EN is enabled, the DSIX6 will claim I2C slave address programmed into this field. This register defaults to 0x00.	RW
	0	I2C_CLAIM4_EN 0 – Disable (Default) 1 - Enable	RW
0x64-0x73	7:0	AUX_WDATA0 thru AUX_WDATA15. Data to transmit. All of these registers default to 0x00.	RW
0x74	7:4	Reserved	R
	3:0	AUX_ADDR[19:16]. This field is address bits 19 thru 16 of the Native Aux 20-bit address. This field shall be filled with zeros for I2C-Over-Aux transitions. This field defaults to 0x0.	RW
0x75	7:0	AUX_ADDR[15:8]. This field is bits 15 thru 8 of the Native Aux 20-bit address. This field shall be filled with zeros for I2C-Over-Aux request transactions. This field defaults to 0x00.	RW
0x76	7:0	AUX_ADDR[7:0]. This field is address bits 7 thru 0 of the Native Aux 20-bit address. For I2C-Over-Aux request transactions this field shall be the 7-bit I2C address. This field defaults to 0x00.	RW
0x77	4:0	AUX_LENGTH. Amount of Data to transmit or amount of data received. Limited to up to 16 bytes. For example, if LENGTH is 0x10, then DSIX6 will interpret this to mean 16 (0x10). For replies, DSIX6 will update this field with the number of bytes returned. This field defaults to 0x00.	RWU
0x78	7:4	AUX_CMD. This field is used to indicate the type of request. This field defaults to 0x00. Refer to Table 13 for request transactions codes.	RW
	0	SEND. When set to a '1', the DSIX6 will send the Native Aux request or initiate the I2C-Over-Aux transaction. DSIX6 will clear this bit when the request completed successfully or failed due to an error. This field defaults to 0.	RSU
0x79 – 0x88	7:0	AUX_RDATA0 thru AUX_RDATA15. Data received. All of these registers default to 0x00.	RU

Table 30. CSR Bit Field Definitions – Link Training Registers

ADDRESS	BIT(S)	DESCRIPTION	ACCESS
0x89 – 0x92	7:0	80BIT_CUSTOM_PATTERN. These 10 bytes represent the 80-bit Custom pattern. The default pattern is 0x1F, 0x7C, 0xF0, 0xC1, 0x07, 0x1F, 0x7C, 0xF0, 0xC1, and 0x07. In the DisplayPort PHY CTS specification this pattern is known as PLTPAT. The SN65DSIX6 will continuously transmit over all enabled DisplayPort lanes starting at the the lsb of data at address 0x89 through the msb of data at address 0x92 last.	RW

Table 30. CSR Bit Field Definitions – Link Training Registers (continued)

ADDRESS	BIT(S)	DESCRIPTION	ACCESS
0x93	7:6	<p>DP_PRE_EMPHASIS</p> <p>This field selects the pre-emphasis setting for all DP Main Links. The actual pre-emphasis level is determined by the DP Link Training LUT registers.</p> <p>00 – Pre-Emphasis Level 0 (Default) 01 – Pre-Emphasis Level 1 10 – Pre-Emphasis Level 2 11 – Pre-Emphasis Level 3</p>	RWU
	5:4	<p>DP_NUM_LANES.</p> <p>00 - Not Configured. (Default) 01 - 1 DP lane. 10 - 2 DP lanes. 11 - 4 DP lanes.</p>	RW
	3:1	<p>SSC_SPREAD</p> <p>000 – Down-spread 5000 ppm 001 – Down-spread 4375 ppm 010 – Down-spread 3750 ppm (default) 011 – Down-spread 3150 ppm 100 – Down-spread 2500 ppm 101 – Center-spread 3750 ppm 110 – Center-spread 4375 ppm 111 – Center-spread 5000 ppm</p>	RW
	0	<p>SSC_ENABLE</p> <p>0 – Clock spread is disabled (default) 1 – Clock spread is enabled.</p>	RW
0x94	7:5	<p>DP_DATARATE</p> <p>000 – Not Configured (Default) 001 – 1.62Gbps per lane (RBR) 010 – 2.16Gbps per lane 011 – 2.43Gbps per lane 100 - 2.70Gbps per lane (HBR) 101 – 3.24Gbps per lane 110 – 4.32Gbps per lane. 111 - 5.4Gbps per lane (HBR2)</p>	RW
	3:2	<p>DP_ERC. This field controls the edge rate for Main Link DisplayPort interface.</p> <p>00 – 61ps (default) 01 – 95ps 10 – 122ps 11 – 153ps.</p>	RW
	1:0	<p>DP_TX_SWING</p> <p>This field selects the differential output voltage level for all DP Main Links. The actual pk-pk differential tx voltage is determined by the <i>DP Link Training LUT registers</i>. Note that Voltage Swing level 3 is disabled by default.</p> <p>00 – Voltage Swing Level 0 (Default) 01 – Voltage Swing Level 1 10 – Voltage Swing Level 2 11 – Voltage Swing Level 3</p>	RWU

Table 30. CSR Bit Field Definitions – Link Training Registers (continued)

ADDRESS	BIT(S)	DESCRIPTION	ACCESS
0x95	7	TPS1_FAST_TRAIN. 0 – TPS1 will not be transmitted in Fast Link Training Mode (Default) 1 – TPS1 will be transmitted in Fast Link Training Mode	RW
	6	TPS2_FAST_TRAIN 0 – TPS2 will NOT be transmitted in Fast Link Training mode (default) 1 – TPS2 will be transmitted in Fast Link Training Mode	RW
	5	TPS3_FAST_TRAIN 0 – TPS3 will not be used for TPS2 in Fast Link Training Mode (default) 1 – TPS3 will be used instead of TPS2 in Fast Link Training Mode.	RW
	4	SCRAMBLE_DISABLE 0 – Scrambling Enabled (default) 1 – Scrambling Disabled.	RW
	3:1	DP_POST_CURSOR2. This field contains the post cursor2 value, where $PST2 = 20 * LOG(1 - 0.05 * DP_POST_CURSOR2)$ (in dB) This field controls the Post Cursor2 is setting for all DP Main Links 000 – Post-Cursor2 Level 0 (0 dB) (Default) 010 – Post-Cursor2 Level 1 (0.92 dB) 100 – Post-Cursor2 Level 2 (1.94 dB) 110 – Post-Cursor2 Level 3 (3.10 dB).	RWU
0	ADJUST_REQUEST_DISABLE. This field is used during Semi-Auto Link training. 0 – DSIX6 will read from DPCD address to determine next training level (pre-emphasis, tx swing level, and post-cursor2). (Default) 1 – DSIX6 will not read from DPCD address to determine next training level. It will instead go to next available Pre-emphasis level. After max pre-emphasis level has been reached, the DSIX6 will attempt next DP_TX_SWING and reset pre-emphasis level back to level 0. Post-Cursor2 is not used in this mode.	RW	
0x96	3:0	ML_TX_MODE 0000 – Main Link Off (default) 0001 – Normal mode (Idle pattern or active video) 0010 – TPS1 0011 – TPS2 0100 – TPS3 0101 – PRBS7 0110 – HBR2 Compliance Eye Pattern 0111 – Symbol Error Rate Measurement Pattern 1000 – 80 bit Custom Pattern 1001 – Fast Link Training 1010 – Semi Auto Link Training. 1011 – Redriver Semi Auto Link Training All others – Reserved.	RWU
0x97	7:0	HBR2_COMPEYEPAT_LENGTH_LOW. This field is the count of number of scrambled 0 symbols to be output for every Enhanced Framing Scrambler Reset sequence. This count includes the reset sequence. A value less than four causes scrambled 0 symbols to be output with no scrambler reset sequence. This field represents the lower 8 bits of the 16-bit HBR2_COMPEYEPAT_LENGTH register. This field defaults to 0x04.	RW
0x98	7:0	HBR2_COMPEYEPAT_LENGTH_HIGH. This field is the count of number of scrambled 0 symbols to be output for every Enhanced Framing Scrambler Reset sequence. This count includes the reset sequence. A value less than four causes scrambled 0 symbols to be output with no scrambler reset sequence. This field represents the upper 8 bits of the 16-bit HBR2_COMPEYEPAT_LENGTH register. This field defaults to 0x01.	RW
0x99	7	LINK_RATE_SET_EN. When this field is cleared, the Semi-Auto Link training will write the appropriate value (0x06 for 1.62Gbps, 0x0A for 2.7Gbps, or 0x14 for 5.4Gbps) to the sink's LINK_BW_SET register at DPCD address 0x00110. When this field is set, the Semi-Auto Link Training will write the value in the LINK_RATE_SET field to the sink's LINK_RATE_SET register at DPCD address 0x00115. Defaults to 0.	RW
	2:0	LINK_RATE_SET. When LINK_RATE_SET_EN bit is set, the value in this field will be written to the sink's LINK_RATE_SET register at DPCD address 0x00115 during Semi-Auto Link training process. Defaults to 0x0.	RW

Table 31. CSR Bit Field Definitions – PWM Registers

ADDRESS	BIT(S)	DESCRIPTION	ACCESS
0xA0	7:0	PWM_PRE_DIV The value programmed into this field along with the value in BACKLIGHT_SCALE is used to set the PWM frequency. The PWM frequency = REFCLK / (PWM_PRE_DIV * BACKLIGHT_SCALE + 1). This field defaults to 0x01	RW
0xA1	7:0	BACKLIGHT_SCALE_LOW. The digital value corresponding to the maximum possible backlight input value. Default to 0xFF. The value in this field is the lower 8 bits of the 16-bit BACKLIGHT_SCALE register.	RW
0xA2	7:0	BACKLIGHT_SCALE_HIGH. The digital value corresponding to the maximum possible backlight input value. Default to 0xFF. The value in this field is the upper 8 bits of the 16-bit BACKLIGHT scale register.	RW
0xA3	7:0	BACKLIGHT_LOW Screen brightness on a scale of 0 to BACKLIGHT_SCALE. This register is used for SN65DSI86. This register is also used for SN65DSI96 when OPTION_SELECT is not equal to zero. The value in this field is the lower 8 bits of the 16-bit BACKLIGHT register. Defaults to 0x00	RW
0xA4	7:0	BACKLIGHT_HIGH Screen brightness on a scale of 0 to BACKLIGHT_SCALE. This register is used for SN65DSI86. This register is also used for SN65DSI96 when OPTION_SELECT is not equal to zero. The value in this field is the upper 8 bits of the 16-bit BACKLIGHT register. Default to 0x00. The DSIX6 will latch the 16-bit BACKLIGHT value on a write to this field.	RW
0xA5	1	PWM_EN. 0 – PWM is disabled. (Default). 1 – PWM enabled.	RW
	0	PWM_INV. When this bit is set, the PWM output will be inverted. 0 – Normal (default) 1 – Inverted.	RW

Table 32. CSR Bit Field Definitions – DP Link Training LUT

ADDRESS	BIT(S)	DESCRIPTION	ACCESS
0xB0	7:4	V0_P0_PRE. This field contains the post1 pre-emphasis code, where the pre-emphasis setting is given by PRe dB = -20 * LOG(1 – 0.05 * V0_P0_PRE) (in dB), when the DP_TX_SWING = Level 0 and DP_PRE_EMPHASIS = Level 0 are select by the training algorithm. The default value for this field is 0 (0 dB).	RW
	3:0	V0_P0_VOD. This field contains the TX swing code, where the emphasized output pk-pk differential voltage is given by VOD = 200 + 50 * V0_P0_VOD (in mV), when the DP_TX_SWING = Level 0 and DP_PRE_EMPHASIS = Level 0 are selected by the training algorithm. The maximum supported value is 12 (800mV). Any value greater than 12 is reserved for SN65DSIX6. The default value for this field is 4 (400mV).	RW
0xB1	7:4	V0_P1_PRE. This field contains the post1 pre-emphasis code, where the pre-emphasis setting is given by PRe dB = -20 * LOG(1 – 0.05 * V0_P1_PRE) (in dB), when the DP_TX_SWING = Level 0 and DP_PRE_EMPHASIS = Level 1 are select by the training algorithm. The default value for this field is 7 (3.74 dB).	RW
	3:0	V0_P1_VOD. This field contains the TX swing code, where the emphasized output pk-pk differential voltage is given by VOD = 200 + 50 * V0_P1_VOD (in mV), when the DP_TX_SWING = Level 0 and DP_PRE_EMPHASIS = Level 1 are selected by the training algorithm. The maximum supported value is 12 (800mV). Any value greater than 12 is reserved for SN65DSIX6. The default value for this field is 8 (600mV).	RW
0xB2	7:4	V0_P2_PRE. This field contains the post1 pre-emphasis code, where the pre-emphasis setting is given by PRe dB = -20 * LOG(1 – 0.05 * V0_P2_PRE) (in dB), when the DP_TX_SWING = Level 0 and DP_PRE_EMPHASIS = Level 2 are select by the training algorithm. The default value for this field is 10 (6.02 dB).	RW
	3:0	V0_P2_VOD. This field contains the TX swing code, where the emphasized output pk-pk differential voltage is given by VOD = 200 + 50 * V0_P2_VOD (in mV), when the DP_TX_SWING = Level 0 and DP_PRE_EMPHASIS = Level 2 are selected by the training algorithm. The maximum supported value is 12 (800mV). Any value greater than 12 is reserved for SN65DSIX6. The default value for this field is 12 (800mV).	RW

Table 32. CSR Bit Field Definitions – DP Link Training LUT (continued)

ADDRESS	BIT(S)	DESCRIPTION	ACCESS
0xB3	7:4	V0_P3_PRE. This field contains the post1 pre-emphasis code, where the pre-emphasis setting is given by $PRED_B = -20 * \text{LOG}(1 - 0.05 * V0_P3_PRE)$ (in dB), when the DP_TX_SWING = Level 0 and DP_PRE_EMPHASIS = Level 3 are select by the training algorithm. The default value for this field is 10 (6.02 dB).	RW
	3:0	V0_P3_VOD. This field contains the TX swing code, where the emphasized output pk-pk differential voltage is given by $VOD = 200 + 50 * V0_P3_VOD$ (in mV), when the DP_TX_SWING = Level 0 and DP_PRE_EMPHASIS = Level 3 are selected by the training algorithm. The maximum supported value is 12 (800mV). Any value greater than 12 is reserved for SN65DSIX6. The default value for this field is 12 (800mV).	RW
0xB4	7:4	V1_P0_PRE. This field contains the post1 pre-emphasis code, where the pre-emphasis setting is given by $PRED_B = -20 * \text{LOG}(1 - 0.05 * V1_P0_PRE)$ (in dB), when the DP_TX_SWING = Level 1 and DP_PRE_EMPHASIS = Level 0 are select by the training algorithm. The default value for this field is 0 (0 dB).	RW
	3:0	V1_P0_VOD. This field contains the TX swing code, where the emphasized output pk-pk differential voltage is given by $VOD = 200 + 50 * V1_P0_VOD$ (in mV), when the DP_TX_SWING = Level 1 and DP_PRE_EMPHASIS = Level 0 are selected by the training algorithm. The maximum supported value is 12 (800mV). Any value greater than 12 is reserved for SN65DSIX6. The default value for this field is 8 (600mV).	RW
0xB5	7:4	V1_P1_PRE. This field contains the post1 pre-emphasis code, where the pre-emphasis setting is given by $PRED_B = -20 * \text{LOG}(1 - 0.05 * V1_P1_PRE)$ (in dB), when the DP_TX_SWING = Level 1 and DP_PRE_EMPHASIS = Level 1 are select by the training algorithm. The default value for this field is 6 (3.10 dB).	RW
	3:0	V1_P1_VOD. This field contains the TX swing code, where the emphasized output pk-pk differential voltage is given by $VOD = 200 + 50 * V1_P1_VOD$ (in mV), when the DP_TX_SWING = Level 1 and DP_PRE_EMPHASIS = Level 1 are selected by the training algorithm. The maximum supported value is 12 (800mV). Any value greater than 12 is reserved for SN65DSIX6. The default value for this field is 12 (800mV).	RW
0xB6	7:4	V1_P2_PRE. This field contains the post1 pre-emphasis code, where the pre-emphasis setting is given by $PRED_B = -20 * \text{LOG}(1 - 0.05 * V1_P2_PRE)$ (in dB), when the DP_TX_SWING = Level 1 and DP_PRE_EMPHASIS = Level 2 are select by the training algorithm. The default value for this field is 9 (5.19 dB).	RW
	3:0	V1_P2_VOD. This field contains the TX swing code, where the emphasized output pk-pk differential voltage is given by $VOD = 200 + 50 * V1_P2_VOD$ (in mV), when the DP_TX_SWING = Level 1 and DP_PRE_EMPHASIS = Level 2 are selected by the training algorithm. The maximum supported value is 12 (800mV). Any value greater than 12 is reserved for SN65DSIX6. The default value for this field is 12 (800mV).	RW
0xB7	7:4	V1_P3_PRE. This field contains the post1 pre-emphasis code, where the pre-emphasis setting is given by $PRED_B = -20 * \text{LOG}(1 - 0.05 * V1_P3_PRE)$ (in dB), when the DP_TX_SWING = Level 1 and DP_PRE_EMPHASIS = Level 3 are select by the training algorithm. The default value for this field is 9 (5.19 dB).	RW
	3:0	V1_P3_VOD. This field contains the TX swing code, where the emphasized output pk-pk differential voltage is given by $VOD = 200 + 50 * V1_P3_VOD$ (in mV), when the DP_TX_SWING = Level 1 and DP_PRE_EMPHASIS = Level 3 are selected by the training algorithm. The maximum supported value is 12 (800mV). Any value greater than 12 is reserved for SN65DSIX6. The default value for this field is 12 (800mV).	RW
0xB8	7:4	V2_P0_PRE. This field contains the post1 pre-emphasis code, where the pre-emphasis setting is given by $PRED_B = -20 * \text{LOG}(1 - 0.05 * V2_P0_PRE)$ (in dB), when the DP_TX_SWING = Level 2 and DP_PRE_EMPHASIS = Level 0 are select by the training algorithm. The default value for this field is 0 (0 dB).	RW
	3:0	V2_P0_VOD. This field contains the TX swing code, where the emphasized output pk-pk differential voltage is given by $VOD = 200 + 50 * V2_P0_VOD$ (in mV), when the DP_TX_SWING = Level 2 and DP_PRE_EMPHASIS = Level 0 are selected by the training algorithm. The maximum supported value is 12 (800mV). Any value greater than 12 is reserved for SN65DSIX6. The default value for this field is 12 (800mV).	RW
0xB9	7:4	V2_P1_PRE. This field contains the post1 pre-emphasis code, where the pre-emphasis setting is given by $PRED_B = -20 * \text{LOG}(1 - 0.05 * V2_P1_PRE)$ (in dB), when the DP_TX_SWING = Level 2 and DP_PRE_EMPHASIS = Level 1 are select by the training algorithm. The default value for this field is 5 (2.50 dB).	RW
	3:0	V2_P1_VOD. This field contains the TX swing code, where the emphasized output pk-pk differential voltage is given by $VOD = 200 + 50 * V2_P1_VOD$ (in mV), when the DP_TX_SWING = Level 2 and DP_PRE_EMPHASIS = Level 1 are selected by the training algorithm. The maximum supported value is 12 (800mV). Any value greater than 12 is reserved for SN65DSIX6. The default value for this field is 12 (800mV).	RW

Table 32. CSR Bit Field Definitions – DP Link Training LUT (continued)

ADDRESS	BIT(S)	DESCRIPTION	ACCESS
0xBA	7:4	V2_P2_PRE. This field contains the post1 pre-emphasis code, where the pre-emphasis setting is given by $PRED_B = -20 * \text{LOG}(1 - 0.05 * V2_P2_PRE)$ (in dB), when the DP_TX_SWING = Level 2 and DP_PRE_EMPHASIS = Level 2 are select by the training algorithm. The default value for this field is 5 (2.50 dB).	RW
	3:0	V2_P2_VOD. This field contains the TX swing code, where the emphasized output pk-pk differential voltage is given by $VOD = 200 + 50 * V2_P2_VOD$ (in mV), when the DP_TX_SWING = Level 2 and DP_PRE_EMPHASIS = Level 2 are selected by the training algorithm. The maximum supported value is 12 (800mV). Any value greater than 12 is reserved for SN65DSIX6. The default value for this field is 12 (800mV).	RW
0xBB	7:4	V2_P3_PRE. This field contains the post1 pre-emphasis code, where the pre-emphasis setting is given by $PRED_B = -20 * \text{LOG}(1 - 0.05 * V2_P3_PRE)$ (in dB), when the DP_TX_SWING = Level 2 and DP_PRE_EMPHASIS = Level 3 are select by the training algorithm. The default value for this field is 5 (2.50 dB).	RW
	3:0	V2_P3_VOD. This field contains the TX swing code, where the emphasized output pk-pk differential voltage is given by $VOD = 200 + 50 * V2_P3_VOD$ (in mV), when the DP_TX_SWING = Level 2 and DP_PRE_EMPHASIS = Level 3 are selected by the training algorithm. The maximum supported value is 12 (800mV). Any value greater than 12 is reserved for SN65DSIX6. The default value for this field is 12 (800mV).	RW
0xBC	7:4	V3_P0_PRE. This field contains the post1 pre-emphasis code, where the pre-emphasis setting is given by $PRED_B = -20 * \text{LOG}(1 - 0.05 * V3_P0_PRE)$ (in dB), when the DP_TX_SWING = Level 3 and DP_PRE_EMPHASIS = Level 0 are select by the training algorithm. The default value for this field is 0 (0 dB).	RW
	3:0	V3_P0_VOD. This field contains the TX swing code, where the emphasized output pk-pk differential voltage is given by $VOD = 200 + 50 * V3_P0_VOD$ (in mV), when the DP_TX_SWING = Level 3 and DP_PRE_EMPHASIS = Level 0 are selected by the training algorithm. The maximum supported value is 12 (800mV). Any value greater than 12 is reserved for SN65DSIX6. The default value for this field is 12 (800mV).	RW
0xBD	7:4	V3_P1_PRE. This field contains the post1 pre-emphasis code, where the pre-emphasis setting is given by $PRED_B = -20 * \text{LOG}(1 - 0.05 * V3_P1_PRE)$ (in dB), when the DP_TX_SWING = Level 3 and DP_PRE_EMPHASIS = Level 1 are select by the training algorithm. The default value for this field is 0 (0 dB).	RW
	3:0	V3_P1_VOD. This field contains the TX swing code, where the emphasized output pk-pk differential voltage is given by $VOD = 200 + 50 * V3_P1_VOD$ (in mV), when the DP_TX_SWING = Level 3 and DP_PRE_EMPHASIS = Level 1 are selected by the training algorithm. The maximum supported value is 12 (800mV). Any value greater than 12 is reserved for SN65DSIX6. The default value for this field is 12 (800mV).	RW
0xBE	7:4	V3_P2_PRE. This field contains the post1 pre-emphasis code, where the pre-emphasis setting is given by $PRED_B = -20 * \text{LOG}(1 - 0.05 * V3_P2_PRE)$ (in dB), when the DP_TX_SWING = Level 3 and DP_PRE_EMPHASIS = Level 2 are select by the training algorithm. The default value for this field is 0 (0 dB).	RW
	3:0	V3_P2_VOD. This field contains the TX swing code, where the emphasized output pk-pk differential voltage is given by $VOD = 200 + 50 * V3_P2_VOD$ (in mV), when the DP_TX_SWING = Level 3 and DP_PRE_EMPHASIS = Level 2 are selected by the training algorithm. The maximum supported value is 12 (800mV). Any value greater than 12 is reserved for SN65DSIX6. The default value for this field is 12 (800mV).	RW
0xBF	7:4	V3_P3_PRE. This field contains the post1 pre-emphasis code, where the pre-emphasis setting is given by $PRED_B = -20 * \text{LOG}(1 - 0.05 * V3_P3_PRE)$ (in dB), when the DP_TX_SWING = Level 3 and DP_PRE_EMPHASIS = Level 3 are select by the training algorithm. The default value for this field is 0 (0 dB).	RW
	3:0	V3_P3_VOD. This field contains the TX swing code, where the emphasized output pk-pk differential voltage is given by $VOD = 200 + 50 * V3_P3_VOD$ (in mV), when the DP_TX_SWING = Level 3 and DP_PRE_EMPHASIS = Level 3 are selected by the training algorithm. The maximum supported value is 12 (800mV). Any value greater than 12 is reserved for SN65DSIX6. The default value for this field is 12 (800mV).	RW

Table 32. CSR Bit Field Definitions – DP Link Training LUT (continued)

ADDRESS	BIT(S)	DESCRIPTION	ACCESS
0xC0	7	V0_P3_PRE_EN. When this field is set V0_P3_PRE is used in training algorithm. When this field is cleared, V0_P3_PRE is not used in training algorithm. The default for this field is 0 (disabled).	RW
	6	V0_P3_VOD_EN. When this field is set V0_P3_VOD is used in training algorithm. When this field is cleared, V0_P3_VOD is not used in training algorithm. The default for this field is 0 (disabled).	RW
	5	V0_P2_PRE_EN. When this field is set V0_P2_PRE is used in training algorithm. When this field is cleared, V0_P2_PRE is not used in training algorithm. The default for this field is 1 (enabled).	RW
	4	V0_P2_VOD_EN. When this field is set V0_P2_VOD is used in training algorithm. When this field is cleared, V0_P2_VOD is not used in training algorithm. The default for this field is 1 (enabled).	RW
	3	V0_P1_PRE_EN. When this field is set V0_P1_PRE is used in training algorithm. When this field is cleared, V0_P1_PRE is not used in training algorithm. The default for this field is 1 (enabled).	RW
	2	V0_P1_VOD_EN. When this field is set V0_P1_VOD is used in training algorithm. When this field is cleared, V0_P1_VOD is not used in training algorithm. The default for this field is 1 (enabled).	RW
	1	V0_P0_PRE_EN. When this field is set V0_P0_PRE is used in training algorithm. When this field is cleared, V0_P0_PRE is not used in training algorithm. The default for this field is 1 (enabled).	RW
	0	V0_P0_VOD_EN. When this field is set V0_P0_VOD is used in training algorithm. When this field is cleared, V0_P0_VOD is not used in training algorithm. The default for this field is 1 (enabled).	RW
0xC1	7	V1_P3_PRE_EN. When this field is set V1_P3_PRE is used in training algorithm. When this field is cleared, V1_P3_PRE is not used in training algorithm. The default for this field is 0 (disabled).	RW
	6	V1_P3_VOD_EN. When this field is set V1_P3_VOD is used in training algorithm. When this field is cleared, V1_P3_VOD is not used in training algorithm. The default for this field is 0 (disabled).	RW
	5	V1_P2_PRE_EN. When this field is set V1_P2_PRE is used in training algorithm. When this field is cleared, V1_P2_PRE is not used in training algorithm. The default for this field is 1 (enabled).	RW
	4	V1_P2_VOD_EN. When this field is set V1_P2_VOD is used in training algorithm. When this field is cleared, V1_P2_VOD is not used in training algorithm. The default for this field is 1 (enabled).	RW
	3	V1_P1_PRE_EN. When this field is set V1_P1_PRE is used in training algorithm. When this field is cleared, V1_P1_PRE is not used in training algorithm. The default for this field is 1 (enabled).	RW
	2	V1_P1_VOD_EN. When this field is set V1_P1_VOD is used in training algorithm. When this field is cleared, V1_P1_VOD is not used in training algorithm. The default for this field is 1 (enabled).	RW
	1	V1_P0_PRE_EN. When this field is set V1_P0_PRE is used in training algorithm. When this field is cleared, V1_P0_PRE is not used in training algorithm. The default for this field is 1 (enabled).	RW
	0	V1_P0_VOD_EN. When this field is set V1_P0_VOD is used in training algorithm. When this field is cleared, V1_P0_VOD is not used in training algorithm. The default for this field is 1 (enabled).	RW
0xC2	7	V2_P3_PRE_EN. When this field is set V2_P3_PRE is used in training algorithm. When this field is cleared, V2_P3_PRE is not used in training algorithm. The default for this field is 0 (disabled).	RW
	6	V2_P3_VOD_EN. When this field is set V2_P3_VOD is used in training algorithm. When this field is cleared, V2_P3_VOD is not used in training algorithm. The default for this field is 0 (disabled).	RW
	5	V2_P2_PRE_EN. When this field is set V2_P2_PRE is used in training algorithm. When this field is cleared, V2_P2_PRE is not used in training algorithm. The default for this field is 0 (disabled).	RW
	4	V2_P2_VOD_EN. When this field is set V2_P2_VOD is used in training algorithm. When this field is cleared, V2_P2_VOD is not used in training algorithm. The default for this field is 0 (disabled).	RW
	3	V2_P1_PRE_EN. When this field is set V2_P1_PRE is used in training algorithm. When this field is cleared, V2_P1_PRE is not used in training algorithm. The default for this field is 1 (enabled).	RW
	2	V2_P1_VOD_EN. When this field is set V2_P1_VOD is used in training algorithm. When this field is cleared, V2_P1_VOD is not used in training algorithm. The default for this field is 1 (enabled).	RW
	1	V2_P0_PRE_EN. When this field is set V2_P0_PRE is used in training algorithm. When this field is cleared, V2_P0_PRE is not used in training algorithm. The default for this field is 1 (enabled).	RW
	0	V2_P0_VOD_EN. When this field is set V2_P0_VOD is used in training algorithm. When this field is cleared, V2_P0_VOD is not used in training algorithm. The default for this field is 1 (enabled).	RW

Table 32. CSR Bit Field Definitions – DP Link Training LUT (continued)

ADDRESS	BIT(S)	DESCRIPTION	ACCESS
0xC3	7	V3_P3_PRE_EN. When this field is set V3_P3_PRE is used in training algorithm. When this field is cleared, V3_P3_PRE is not used in training algorithm. The default for this field is 0 (disabled).	RW
	6	V3_P3_VOD_EN. When this field is set V3_P3_VOD is used in training algorithm. When this field is cleared, V3_P3_VOD is not used in training algorithm. The default for this field is 0 (disabled).	RW
	5	V3_P2_PRE_EN. When this field is set V3_P2_PRE is used in training algorithm. When this field is cleared, V3_P2_PRE is not used in training algorithm. The default for this field is 0 (disabled).	RW
	4	V3_P2_VOD_EN. When this field is set V3_P2_VOD is used in training algorithm. When this field is cleared, V3_P2_VOD is not used in training algorithm. The default for this field is 0 (disabled).	RW
	3	V3_P1_PRE_EN. When this field is set V3_P1_PRE is used in training algorithm. When this field is cleared, V3_P1_PRE is not used in training algorithm. The default for this field is 0 (disabled).	RW
	2	V3_P1_VOD_EN. When this field is set V3_P1_VOD is used in training algorithm. When this field is cleared, V3_P1_VOD is not used in training algorithm. The default for this field is 0 (disabled).	RW
	1	V3_P0_PRE_EN. When this field is set V3_P0_PRE is used in training algorithm. When this field is cleared, V3_P0_PRE is not used in training algorithm. The default for this field is 0 (disabled).	RW
	0	V3_P0_VOD_EN. When this field is set V3_P0_VOD is used in training algorithm. When this field is cleared, V3_P0_VOD is not used in training algorithm. The default for this field is 0 (disabled).	RW

Table 33. CSR Bit Field Definitions – PSR Registers

ADDRESS	BIT(S)	DESCRIPTION	ACCESS
0xC8	1	PSR_EXIT_VIDEO. 0 – Upon exiting SUSPEND mode, the DSIX6 will transmit IDLE patterns and the VSTREAM_ENABLE bit will be cleared. GPU software is responsible for setting the VSTREAM_ENABLE bit. (default) 1 – Upon exiting SUSPEND mode, the DSIX6 will transmit IDLE patterns and the VSTREAM_ENABLE bit will be set.	RW
	0	PSR_TRAIN. This field controls whether or not the DSIX6 will perform a Semi-Auto Link Training when exiting the SUSPEND mode. 0 – PSR train will be Normal Mode (idle pattern) (default) 1 – PSR train will be Semi-Auto Link Training.	RW

Table 34. CSR Bit Field Definitions – IRQ Enable Registers

ADDRESS	BIT(S)	DESCRIPTION	ACCESS
0xE0	0	IRQ_EN When enabled by this field, the IRQ output is driven high to communicate IRQ events. 0 – IRQ output is high-impedance (default) 1 – IRQ output is driven high when a bit is set in registers 0xF0, 0xF1, 0xF2, 0xF3, 0xF4, or 0xF5 that also has the corresponding IRQ_EN bit set to enable the interrupt condition	RW

Table 34. CSR Bit Field Definitions – IRQ Enable Registers (continued)

ADDRESS	BIT(S)	DESCRIPTION	ACCESS
0xE1	7	CHA_CONTENTION_DET_EN 0 – CHA_CONTENTION_DET_ERR is masked (default) 1 – CHA_CONTENTION_DET_ERR is enabled to generate IRQ events	RW
	6	CHA_FALSE_CTRL_EN 0 – CHA_FALSE_CTRL_ERR is masked (default) 1 – CHA_FALSE_CTRL_ERR is enabled to generate IRQ events	RW
	5	CHA_TIMEOUT_EN 0 – CHA_TIMEOUT_ERR is masked (default) 1 – CHA_TIMEOUT_ERR is enabled to generate IRQ events	RW
	4	CHA_LP_TX_SYNC_EN 0 – CHA_LP_TX_SYNC_ERR is masked (default) 1 – CHA_LP_TX_SYNC_ERR is enabled to generate IRQ events	RW
	3	CHA_ESC_ENTRY_EN 0 – CHA_ESC_ENTRY_ERR is masked (default) 1 – CHA_ESC_ENTRY_ERR is enabled to generate IRQ events	RW
	2	CHA_EOT_SYNC_EN 0 – CHA_EOT_SYNC_ERR is masked (default) 1 – CHA_EOT_SYNC_ERR is enabled to generate IRQ events	RW
	1	CHA_SOT_SYNC_EN 0 – CHA_SOT_SYNC_ERR is masked (default) 1 – CHA_SOT_SYNC_ERR is enabled to generate IRQ events	RW
	0	CHA_SOT_BIT_EN 0 – CHA_SOT_BIT_ERR is masked (default) 1 – CHA_SOT_BIT_ERR is enabled to generate IRQ events	RW
0xE2	7	CHA_DSI_PROTOCOL_EN 0 – CHA_DSI_PROTOCOL_ERR is masked (default) 1 – CHA_DSI_PROTOCOL_ERR is enabled to generate IRQ events	RW
	6	Reserved	R
	5	CHA_INVALID_LENGTH_EN 0 – CHA_INVALID_LENGTH_ERR is masked (default) 1 – CHA_INVALID_LENGTH_ERR is enabled to generate IRQ events	RW
	4	Reserved.	R
	3	CHA_DATATYPE_EN 0 – CHA_DATATYPE_ERR is masked (default) 1 – CHA_DATATYPE_ERR is enabled to generate IRQ events	RW
	2	CHA_CHECKSUM_EN 0 – CHA_CHECKSUM_ERR is masked (default) 1 – CHA_CHECKSUM_ERR is enabled to generate IRQ events	RW
	1	CHA_UNC_ECC_EN 0 – CHA_UNC_ECC_ERR is masked (default) 1 – CHA_UNC_ECC_ERR is enabled to generate IRQ events	RW
	0	CHA_COR_ECC_EN 0 – CHA_COR_ECC_ERR is masked (default) 1 – CHA_COR_ECC_ERR is enabled to generate IRQ events	RW

Table 34. CSR Bit Field Definitions – IRQ Enable Registers (continued)

ADDRESS	BIT(S)	DESCRIPTION	ACCESS
0xE3	7	Reserved	R
	6	CHB_FALSE_CTRL_EN 0 – CHB_FALSE_CTRL_ERR is masked (default) 1 – CHB_FALSE_CTRL_ERR is enabled to generate IRQ events	RW
	5	Reserved.	R
	4	CHB_LP_TX_SYNC_EN 0 – CHB_LP_TX_SYNC_ERR is masked (default) 1 – CHB_LP_TX_SYNC_ERR is enabled to generate IRQ events	RW
	3	Reserved	R
	2	CHB_EOT_SYNC_EN 0 – CHB_EOT_SYNC_ERR is masked (default) 1 – CHB_EOT_SYNC_ERR is enabled to generate IRQ events	RW
	1	CHB_SOT_SYNC_EN 0 – CHB_SOT_SYNC_ERR is masked (default) 1 – CHB_SOT_SYNC_ERR is enabled to generate IRQ events	RW
	0	CHB_SOT_BIT_EN 0 – CHB_SOT_BIT_ERR is masked (default) 1 – CHB_SOT_BIT_ERR is enabled to generate IRQ events	RW
0xE4	7	CHB_DSI_PROTOCOL_EN 0 – CHB_DSI_PROTOCOL_ERR is masked (default) 1 – CHB_DSI_PROTOCOL_ERR is enabled to generate IRQ events	RW
	6	Reserved	R
	5	CHB_INVALID_LENGTH_EN 0 – CHB_INVALID_LENGTH_ERR is masked (default) 1 – CHB_INVALID_LENGTH_ERR is enabled to generate IRQ events	RW
	4	Reserved	R
	3	CHB_DATATYPE_EN 0 – CHB_DATATYPE_ERR is masked (default) 1 – CHB_DATATYPE_ERR is enabled to generate IRQ events	RW
	2	CHB_CHECKSUM_EN 0 – CHB_CHECKSUM_ERR is masked (default) 1 – CHB_CHECKSUM_ERR is enabled to generate IRQ events	RW
	1	CHB_UNC_ECC_EN 0 – CHB_UNC_ECC_ERR is masked (default) 1 – CHB_UNC_ECC_ERR is enabled to generate IRQ events	RW
	0	CHB_COR_ECC_EN 0 – CHB_COR_ECC_ERR is masked (default) 1 – CHB_COR_ECC_ERR is enabled to generate IRQ events	RW

Table 34. CSR Bit Field Definitions – IRQ Enable Registers (continued)

ADDRESS	BIT(S)	DESCRIPTION	ACCESS
0xE5	7	I2C_DEFR_EN 0 – I2C_DEFR is masked (default) 1 – I2C_DEFR is enabled to generate IRQ events.	RW
	6	NAT_I2C_FAIL_EN. 0 – NAT_I2C_FAIL is masked. (default) 1 – NAT_I2C_FAIL is enabled to generate IRQ events.	RW
	5	AUX_SHORT_EN 0 – AUX_SHORT is masked. (default) 1 – AUX_SHORT is enabled to generate IRQ events.	RW
	4	AUX_DEFR_EN. 0 – AUX_DEFR is masked. (default) 1 – AUX_DEFR is enabled to generate IRQ events.	RW
	3	AUX_RPLY_TOUT_EN. 0 – AUX_RPLY_TOUT is masked (default). 1 – AUX_RPLY_TOUT is enabled to generate IRQ events.	RW
	2	Reserved.	R
	1	Reserved.	R
	0	SEND_INT_EN. 0 – SEND_INT is masked (default) 1 – SEND_INT is enabled to generate IRQ events.	RW
0xE6	7	BL_OUT_CHANGE_EN. This field is only meaningful for SN65DSI96. 0 – BL_OUT_CHANGE is masked (default) 1 – BL_OUT_CHANGE is enabled to generate IRQ events.	RW
	6	AD_PWR_STATUS_EN. This field is only meaningful for SN65DSI96 0 – AD_PWR_STATUS is masked (default) 1 – AD_PWR_STATUS is enabled to generate IRQ events	RW
	5	PLL_UNLOCK_EN 0 – PLL_UNLOCK is masked (default) 1 – PLL_UNLOCK is enabled to generate IRQ events	RW
	4	CALC_DONE_EN. This field only applies to theSN65DSI96. 0 – CALC_DONE is masked (default) 1 – CALC_DONE is enabled to generate IRQ events	RW
	3	HPD_REPLUG_EN. 0 – HPD_REPLUG is masked (default) 1 – HPD_REPLUG is enabled to generate IRQ events	RW
	2	HPD_REMOVAL_EN 0 – HPD_REMOVAL is masked. (default) 1 – HPD_REMOVAL is enabled to generate IRQ events.	RW
	1	HPD_INSERTION_EN 0 – HPD_INSERTION is masked. (default) 1 – HPD_INSERTION is enabled to generate IRQ events.	RW
	0	IRQ_HPD_EN 0 – IRQ_HPD is masked. (default) 1 – IRQ_HPD is enabled to generate IRQ events.	RW

Table 34. CSR Bit Field Definitions – IRQ Enable Registers (continued)

ADDRESS	BIT(S)	DESCRIPTION	ACCESS
0xE7	7	DPTL_VIDEO_WIDTH_PROG_ERR_EN 0 – DPTL_VIDEO_WIDTH_PROG_ERR is masked. (default) 1 – DPTL_VIDEO_WIDTH_PROG_ERR is enabled to generate IRQ events.	RW
	6	DPTL_LOSS_OF_DP_SYNC_LOCK_EN 0 – DPTL_LOSS_OF_DP_SYNC_LOCK_ERR is masked. (default) 1 – DPTL_LOSS_OF_DP_SYNC_LOCK_ERR is enabled to generate IRQ events.	RW
	5	DPTL_UNEXPECTED_DATA_EN 0 – DPTL_UNEXPECTED_DATA_ERR is masked. (default) 1 – DPTL_UNEXPECTED_DATA_ERR is enabled to generate IRQ events.	RW
	4	DPTL_UNEXPECTED_SECDATA_EN 0 – DPTL_UNEXPECTED_SECDATA_ERR is masked. (default) 1 – DPTL_UNEXPECTED_SECDATA_ERR is enabled to generate IRQ events.	RW
	3	DPTL_UNEXPECTED_DATA_END_EN 0 – DPTL_UNEXPECTED_DATA_END_ERR is masked. (default) 1 – DPTL_UNEXPECTED_DATA_END_ERR is enabled to generate IRQ events.	RW
	2	DPTL_UNEXPECTED_PIXEL_DATA_EN 0 – DPTL_UNEXPECTED_PIXEL_DATA_ERR is masked. (default) 1 – DPTL_UNEXPECTED_PIXEL_DATA_ERR is enabled to generate IRQ events.	RW
	1	DPTL_UNEXPECTED_HSYNC_EN 0 – DPTL_UNEXPECTED_HSYNC_ERR is masked. (default) 1 – DPTL_UNEXPECTED_HSYNC_ERR is enabled to generate IRQ events.	RW
	0	DPTL_UNEXPECTED_VSYNC_EN 0 – DPTL_UNEXPECTED_VSYNC_ERR is masked. (default) 1 – DPTL_UNEXPECTED_VSYNC_ERR is enabled to generate IRQ events.	RW
0xE8	7	STRENGTH_OUT_CHANGE_EN. This field is only meaningful for SN65DSI96. 0 – STRENGTH_OUT_CHANGE is masked. (default) 1 – STRENGTH_OUT_CHANGE is enabled to generate IRQ events.	RW
	1	DPTL_SECONDARY_DATA_PACKET_PROG_ERR_EN. 0 – DPTL_SECONDARY_DATA_PACKET_PROG_ERR is masked. (default) 1 – DPTL_SECONDARY_DATA_PACKET_PROG_ERR is enabled to generate IRQ events.	RW
	0	DPTL_DATA_UNDERRUN_EN 0 – DPTL_DATA_UNDERRUN_ERR is masked. (default) 1 – DPTL_DATA_UNDERRUN_ERR is enabled to generate IRQ events.	RW
0xE9	7:6	Reserved.	R
	5	LT_EQ_CR_ERR_EN. 0 – LT_EQ_CR_ERR is masked (default) 1 – LT_EQ_CR_ERR is enabled to generate IRQ events.	RW
	4	LT_EQ_LPCNT_ERR_EN. 0 – LT_EQ_LPCNT_ERR is masked (default) 1 – LT_EQ_LPCNT_ERR is enabled to generate IRQ events.	RW
	3	LT_CR_MAXVOD_ERR_EN. 0 – LT_CR_MAXVOD_ERR is masked (default) 1 – LT_CR_MAXVOD_ERR is enabled to generate IRQ events.	RW
	2	LT_CR_LPCNT_ERR_EN. 0 – LT_CR_LPCNT_ERR is masked (default) 1 – LT_CR_LPCNT_ERR is enabled to generate IRQ events.	RW
	1	LT_FAIL_EN. 0 – LT_FAIL is masked (default) 1 – LT_FAIL is enabled to generate IRQ events.	RW
	0	LT_PASS_EN. 0 – LT_PASS is masked (default) 1 – LT_PASS is enabled to generate IRQ events.	RW

Table 35. CSR Bit Field Definitions – IRQ Status Registers

ADDRESS	BIT(S)	DESCRIPTION	ACCESS
0xF0	7	CHA_CONTENTION_DET_ERR. When LP high or LP low fault is detected on the DSI channel A interface, this bit is set; this bit is cleared by writing a '1' value or when the DSIX6 responds to a Generic read/write request or unsolicited BTA with a Acknowledge and Error Report.	RCU
	6	CHA_FALSE_CTRL_ERR. When the DSI channel A packet processor detects a LP Request not followed by the remainder of a valid escape or turnaround sequence or if it detects a HS request not followed by a bridge state (LP-00), this bit is set; this bit is cleared by writing a '1' value or when the DSIX6 responds to a Generic read/write request or unsolicited BTA with a Acknowledge and Error Report.	RCU
	5	CHA_TIMEOUT_ERR. When the HS Rx Timer or the LP TX timer expires, this bit is set; this bit is cleared by writing a '1' value or when the DSIX6 responds to a Generic read/write request or unsolicited BTA with a Acknowledge and Error Report.	RCU
	4	CHA_LP_TX_SYNC_ERR. When the DSI channel A packet processor detects data not synchronized to a byte boundary at the end of Low-Power transmission, this bit is set; this bit is cleared by writing a '1' value or when the DSIX6 responds to a Generic read/write request or unsolicited BTA with a Acknowledge and Error Report.	RCU
	3	CHA_ESC_ENTRY_ERR. When the DSI Channel A packet processor detects an unrecognized Escape Mode Entry Command, this bit is set; this bit is cleared by writing a '1' value or when the DSIX6 responds to a Generic read request or unsolicited BTA with a Acknowledge and Error Report.	RCU
	2	CHA_EOT_SYNC_ERR. When the DSI channel A packet processor detects that the last byte of a HS transmission does not match a byte boundary, this bit is set; this bit is cleared by writing a '1' value or when the DSIX6 responds to a Generic read/write request or unsolicited BTA with a Acknowledge and Error Report.	RCU
	1	CHA_SOT_SYNC_ERR. When the DSI channel A packet processor detects a corrupted SOT in a way that proper synchronization cannot be expected, this bit is set; this bit is cleared by writing a '1' value or when the DSIX6 responds to a Generic read/write request or unsolicited BTA with a Acknowledge and Error Report.	RCU
	0	CHA_SOT_BIT_ERR. When the DSI channel A packet processor detects an SoT leader sequence bit error, this bit is set; this bit is cleared by writing a '1' value or when the DSIX6 responds to a Generic read/write request or unsolicited BTA with a Acknowledge and Error Report.	RCU
0xF1	7	CHA_DSI_PROTOCOL_ERR. When the DSI channel A packet processor detects a DSI protocol error, this bit is set; this bit is cleared by writing a '1' value or when the DSIX6 responds to a Generic read/write request or unsolicited BTA with a Acknowledge and Error Report.	RCU
	6	Reserved.	R
	5	CHA_INVALID_LENGTH_ERR. When the DSI channel A packet processor detects an invalid transmission length, this bit is set; this bit is cleared by writing a '1' value or when the DSIX6 responds to a Generic read/write request or unsolicited BTA with a Acknowledge and Error Report.	RCU
	4	Reserved.	R
	3	CHA_DATATYPE_ERR. When the DSI channel A packet processor detects a unrecognized DSI data type, this bit is set; this bit is cleared by writing a '1' value or when the DSIX6 responds to a Generic read/write request or unsolicited BTA with a Acknowledge and Error Report.	RCU
	2	CHA_CHECKSUM_ERR. When the DSI channel A packet processor detects a data stream CRC error, this bit is set; this bit is cleared by writing a '1' value or when the DSIX6 responds to a Generic read/write request or unsolicited BTA with a Acknowledge and Error Report.	RCU
	1	CHA_UNC_ECC_ERR. When the DSI channel A packet processor detects an uncorrectable ECC error, this bit is set; this bit is cleared by writing a '1' value or when the DSIX6 responds to a Generic read/write request or unsolicited BTA with a Acknowledge and Error Report.	RCU
	0	CHA_COR_ECC_ERR. When the DSI channel A packet processor detects a correctable ECC error, this bit is set; this bit is cleared by writing a '1' value or when the DSIX6 responds to a Generic read/write request or unsolicited BTA with a Acknowledge and Error Report.	RCU

Table 35. CSR Bit Field Definitions – IRQ Status Registers (continued)

ADDRESS	BIT(S)	DESCRIPTION	ACCESS
0xF2	7	Reserved	R
	6	CHB_FALSE_CTRL_ERR. When the DSI channel B packet processor detects a LP Request not followed by the remainder of a valid escape or turnaround sequence or if it detects a HS request not followed by a bridge state (LP-00), this bit is set; this bit is cleared by writing a '1' value.	RCU
	5	Reserved	R
	4	CHB_LP_TX_SYNC_ERR. When the DSI channel B packet processor detects data not synchronized to a byte boundary at the end of Low-Power transmission, this bit is set; this bit is cleared by writing a '1' value.	RCU
	3	Reserved	R
	2	CHB_EOT_SYNC_ERR. When the DSI channel B packet processor detects that the last byte of a HS transmission does not match a byte boundary, this bit is set; this bit is cleared by writing a '1' value.	RCU
	1	CHB_SOT_SYNC_ERR. When the DSI channel B packet processor detects a corrupted SOT in a way that proper synchronization cannot be expected, this bit is set; this bit is cleared by writing a '1' value.	RCU
	0	CHB_SOT_BIT_ERR. When the DSI channel B packet processor detects an SoT leader sequence bit error, this bit is set; this bit is cleared by writing a '1' value.	RCU
0xF3	7	CHB_DSI_PROTOCOL_ERR. When the DSI channel B packet processor detects a DSI protocol error, this bit is set; this bit is cleared by writing a '1' value.	RCU
	6	Reserved.	R
	5	CHB_INVALID_LENGTH_ERR. When the DSI channel B packet processor detects an invalid transmission length, this bit is set; this bit is cleared by writing a '1' value.	RCU
	4	Reserved.	R
	3	CHB_DATATYPE_ERR. When the DSI channel B packet processor detects a unrecognized DSI data type, this bit is set; this bit is cleared by writing a '1' value.	RCU
	2	CHB_CHECKSUM_ERR. When the DSI channel B packet processor detects a data stream CRC error, this bit is set; this bit is cleared by writing a '1'.	RCU
	1	CHB_UNC_ECC_ERR. When the DSI channel B packet processor detects an uncorrectable ECC error, this bit is set; this bit is cleared by writing a '1' value.	RCU
	0	CHB_COR_ECC_ERR. When the DSI channel B packet processor detects a correctable ECC error, this bit is set; this bit is cleared by writing a '1' value.	RCU
0xF4	7	I2C_DEFER. This field is set if an I2C-Over-Aux request has received a specific number X of I2C_DEFER from Sink. For direct method (clock stretching), the number X is 44. For indirect method, the number X is 44 for AUX_LENGTH = 1, 66 for AUX_LENGTH = 2, 110 for 2 < AUX_LENGTH ≤ 4, 154 for 4 < AUX_LENGTH ≤ 6, 198 for 6 < AUX_LENGTH ≤ 8, 287 for 8 < AUX_LENGTH ≤ 12, and 375 for 12 < AUX_LENGTH ≤ 16.	RCU
	6	NAT_I2C_FAIL. This bit is set if the I2C-Over-Aux or Native AUX failed.	RCU
	5	AUX_SHORT. If set, then the bytes written or received did not match requested Length. SW should read AUX_LENGTH field to determine the amount of data written or read.	RCU
	4	AUX_DEFER. The DSIX6 will attempt to complete an AUX request by retrying the request seven times. This field is set if the response to the last retry is an AUX_DEFER.	RCU
	3	AUX_RPLY_TOUT. The DSIX6 will attempt to complete an AUX request by retrying the request seven times. This field is set if the response to the last retry is a 400-us timeout.	RCU
	2	Reserved.	R
	1	Reserved.	R
	0	SEND_INT. This field is set whenever the SEND bit transitions from 1 to 0.	RCU
0xF5	7	BL_OUT_CHANGE. This field is set whenever the BACKLIGHT_OUT field changes from a previously reported value. This field only has meaning for the SN65DSI96.	RCU
	6	AD_PWR_STATUS. This field is set when the Assertive Display core is powered on after the ADEN bit is set. This field only has meaning for the SN65DSI96.	RCU
	5	PLL_UNLOCK. This bit is set whenever the PLL Lock status transitions from LOCK to UNLOCK.	RCU
	4	CALC_DONE. This field is set whenever the Assertive Display parameter calculation is completed. This field only applies to the SN65DSI96.	RCU
	3	HPD_REPLUG. This field is set whenever the DSIX6 detects a replug event on the HPD pin.	RCU
	2	HPD_REMOVAL. This field is set whenever the DSIX6 detects a DisplayPort device removal.	RCU
	1	HPD_INSERTION. This field is set whenever the DSIX6 detects a DisplayPort device insertion.	RCU
	0	IRQ_HPD. This field is set whenever the DSIX6 detects a IRQ_HPD event.	RCU

Table 35. CSR Bit Field Definitions – IRQ Status Registers (continued)

ADDRESS	BIT(S)	DESCRIPTION	ACCESS
0xF6	7	VIDEO_WIDTH_PROG_ERR. This field is set whenever the video parameters define more bytes of pixel data than can be transferred in the allotted video portion of the line time.	RCU
	6	LOSS_OF_DP_SYNC_LOCK_ERR. This field is set whenever the DP sync generator has lost lock with the DSI sync stream.	RCU
	5	DPTL_UNEXPECTED_DATA_ERR. This field is set whenever a data token at in the video stream from DSI was found at an invalid time syntactically.	RCU
	4	DPTL_UNEXPECTED_SECDATA_ERR. This field is set whenever a secondary data start token at in the video stream was found at an invalid time syntactically.	RCU
	3	DPTL_UNEXPECTED_DATA_END_ERR. This field is set whenever a data end token at in the video stream from DSI was found at an invalid time syntactically.	RCU
	2	DPTL_UNEXPECTED_PIXEL_DATA_ERR. This field is set whenever a video data start token at in the video stream from DSI was found at an invalid time syntactically.	RCU
	1	DPTL_UNEXPECTED_HSYNC_ERR. This field is set whenever a horizontal sync token at in the video stream from DSI was found at an invalid time syntactically.	RCU
	0	DPTL_UNEXPECTED_VSYNC_ERR. This field is set whenever a vertical sync token at in the video stream from DSI was found at an invalid time syntactically.	RCU
0xF7	7	STRENGTH_OUT_CHANGE. This field is set whenever the STRENGTH_OUT changes. This field is only meaningful for SN65DSI96.	RCU
	1	DPTL_SECONDARY_DATA_PACKET_PROG_ERR. This field is set whenever a secondary data packet has an invalid length.	RCU
	0	DPTL_DATA_UNDERRUN_ERR. This field is set whenever no data was received when data should have been ready.	RCU
0xF8	7:6	Reserved.	R
	5	LT_EQ_CR_ERR. This field is set whenever link training fails in the channel equalization phase due to LANEx_CR_DONE not set.	RCU
	4	LT_EQ_LPCNT_ERR. This field is set whenever link training fails in the channel equalization phase due to the loop count being greater than five.	RCU
	3	LT_CR_MAXVOD_ERR. This field is set whenever link training fails in clock recovery phase due to max VOD reached without LANEx_CR_DONE bit(s) getting set.	RCU
	2	LT_CR_LPCNT_ERR. This field is set whenever link training fails in the clock recovery phase due to same VOD being used five times.	RCU
	1	LT_FAIL. This field is set whenever the Semi-Auto link training fails to train the DisplayPort Link.	RCU
	0	LT_PASS. This field is set whenever the Semi-Auto link training successfully trains the DisplayPort Link.	RCU

Table 36. Page Select Register

ADDRESS	BIT(S)	DESCRIPTION	ACCESS
0xFF	2:0	<p>PAGE_SELECT. This field is used to select a different page of 254 bytes. This register will reside in the same location for each Page. This register is independently controlled by either DSI or I2C. This means the value written or read by I2C does not affect the value written or read by DSI, or vice-versa. The SN65DSI86 can only access Page 0 and Page 7.</p> <p>000 – Standard CFR registers. (Default) 001 – Assertive Display CFR Registers 010 – Assertive Display's Calibration Lookup Table (AL_CALIB_LUT) 011 – Assertive Display's Asymmetry Function Lookup Table (LUT_FI) 100 – Assertive Display's Color Correction Lookup Table (LUT_CC) 101 – Reserved. 110 – Assertive Display's Post Gamma Lookup Table (post_gamma_lut) 111 – TI Test Registers.</p>	RW

APPLICATION INFORMATION

Typical Implementation

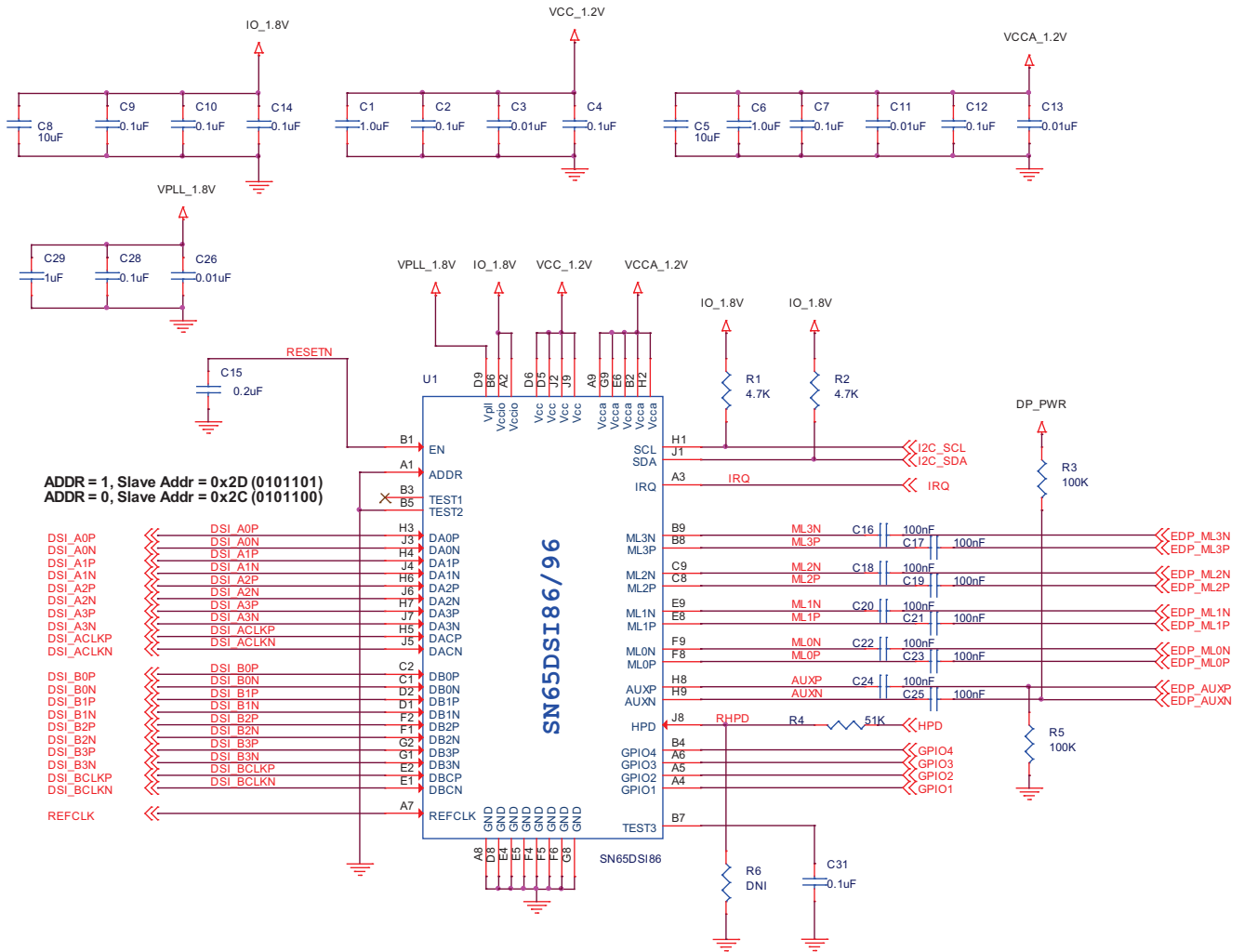


Figure 18. Typical Implementation

PACKAGING INFORMATION

Orderable Device	Status (1)	Package Type	Package Drawing	Pins	Package Qty	Eco Plan (2)	Lead/Ball Finish	MSL Peak Temp (3)	Op Temp (°C)	Device Marking (4/5)	Samples
SN65DSI86ZQER	ACTIVE	BGA MICROSTAR JUNIOR	ZQE	64	2500	Green (RoHS & no Sb/Br)	SNAGCU	Level-3-260C-168 HR	-40 to 85	DSI86	Samples
SN65DSI96ZQER	PREVIEW	BGA MICROSTAR JUNIOR	ZQE	64	2500	TBD	Call TI	Call TI	-40 to 85		

(1) The marketing status values are defined as follows:

ACTIVE: Product device recommended for new designs.

LIFEBUY: TI has announced that the device will be discontinued, and a lifetime-buy period is in effect.

NRND: Not recommended for new designs. Device is in production to support existing customers, but TI does not recommend using this part in a new design.

PREVIEW: Device has been announced but is not in production. Samples may or may not be available.

OBSOLETE: TI has discontinued the production of the device.

(2) Eco Plan - The planned eco-friendly classification: Pb-Free (RoHS), Pb-Free (RoHS Exempt), or Green (RoHS & no Sb/Br) - please check <http://www.ti.com/productcontent> for the latest availability information and additional product content details.

TBD: The Pb-Free/Green conversion plan has not been defined.

Pb-Free (RoHS): TI's terms "Lead-Free" or "Pb-Free" mean semiconductor products that are compatible with the current RoHS requirements for all 6 substances, including the requirement that lead not exceed 0.1% by weight in homogeneous materials. Where designed to be soldered at high temperatures, TI Pb-Free products are suitable for use in specified lead-free processes.

Pb-Free (RoHS Exempt): This component has a RoHS exemption for either 1) lead-based flip-chip solder bumps used between the die and package, or 2) lead-based die adhesive used between the die and leadframe. The component is otherwise considered Pb-Free (RoHS compatible) as defined above.

Green (RoHS & no Sb/Br): TI defines "Green" to mean Pb-Free (RoHS compatible), and free of Bromine (Br) and Antimony (Sb) based flame retardants (Br or Sb do not exceed 0.1% by weight in homogeneous material)

(3) MSL, Peak Temp. -- The Moisture Sensitivity Level rating according to the JEDEC industry standard classifications, and peak solder temperature.

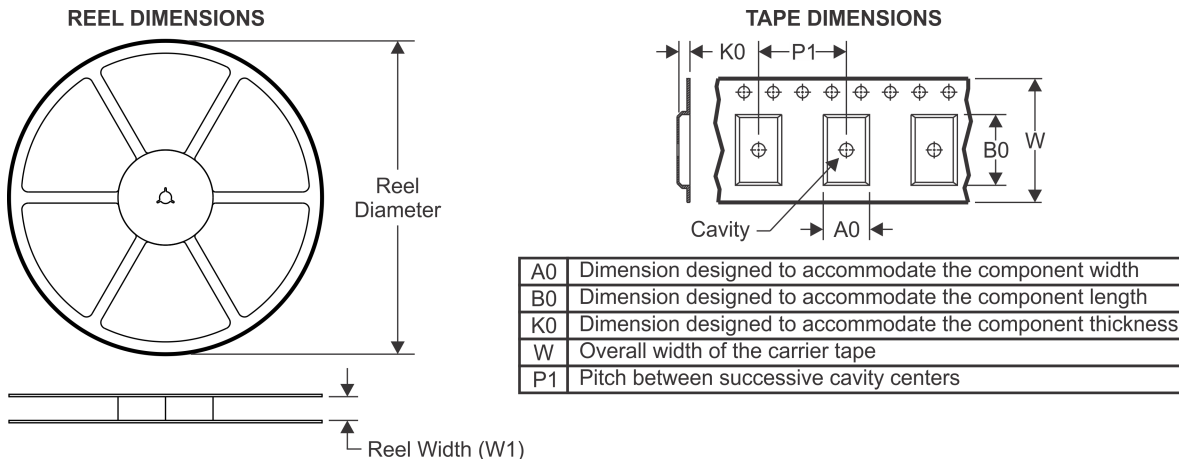
(4) There may be additional marking, which relates to the logo, the lot trace code information, or the environmental category on the device.

(5) Multiple Device Markings will be inside parentheses. Only one Device Marking contained in parentheses and separated by a "-" will appear on a device. If a line is indented then it is a continuation of the previous line and the two combined represent the entire Device Marking for that device.

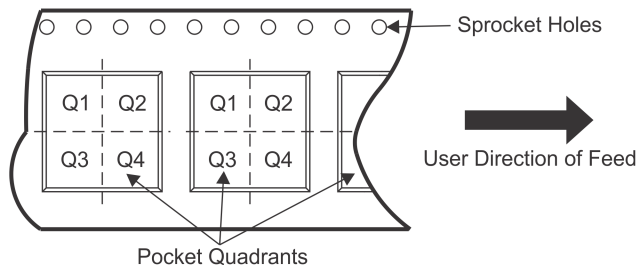
Important Information and Disclaimer: The information provided on this page represents TI's knowledge and belief as of the date that it is provided. TI bases its knowledge and belief on information provided by third parties, and makes no representation or warranty as to the accuracy of such information. Efforts are underway to better integrate information from third parties. TI has taken and continues to take reasonable steps to provide representative and accurate information but may not have conducted destructive testing or chemical analysis on incoming materials and chemicals. TI and TI suppliers consider certain information to be proprietary, and thus CAS numbers and other limited information may not be available for release.

In no event shall TI's liability arising out of such information exceed the total purchase price of the TI part(s) at issue in this document sold by TI to Customer on an annual basis.

TAPE AND REEL INFORMATION



QUADRANT ASSIGNMENTS FOR PIN 1 ORIENTATION IN TAPE



*All dimensions are nominal

Device	Package Type	Package Drawing	Pins	SPQ	Reel Diameter (mm)	Reel Width W1 (mm)	A0 (mm)	B0 (mm)	K0 (mm)	P1 (mm)	W (mm)	Pin1 Quadrant
SN65DSI86ZQER	BGA MICROSTAR JUNIOR	ZQE	64	2500	330.0	12.4	5.3	5.3	1.5	8.0	12.0	Q1

TAPE AND REEL BOX DIMENSIONS



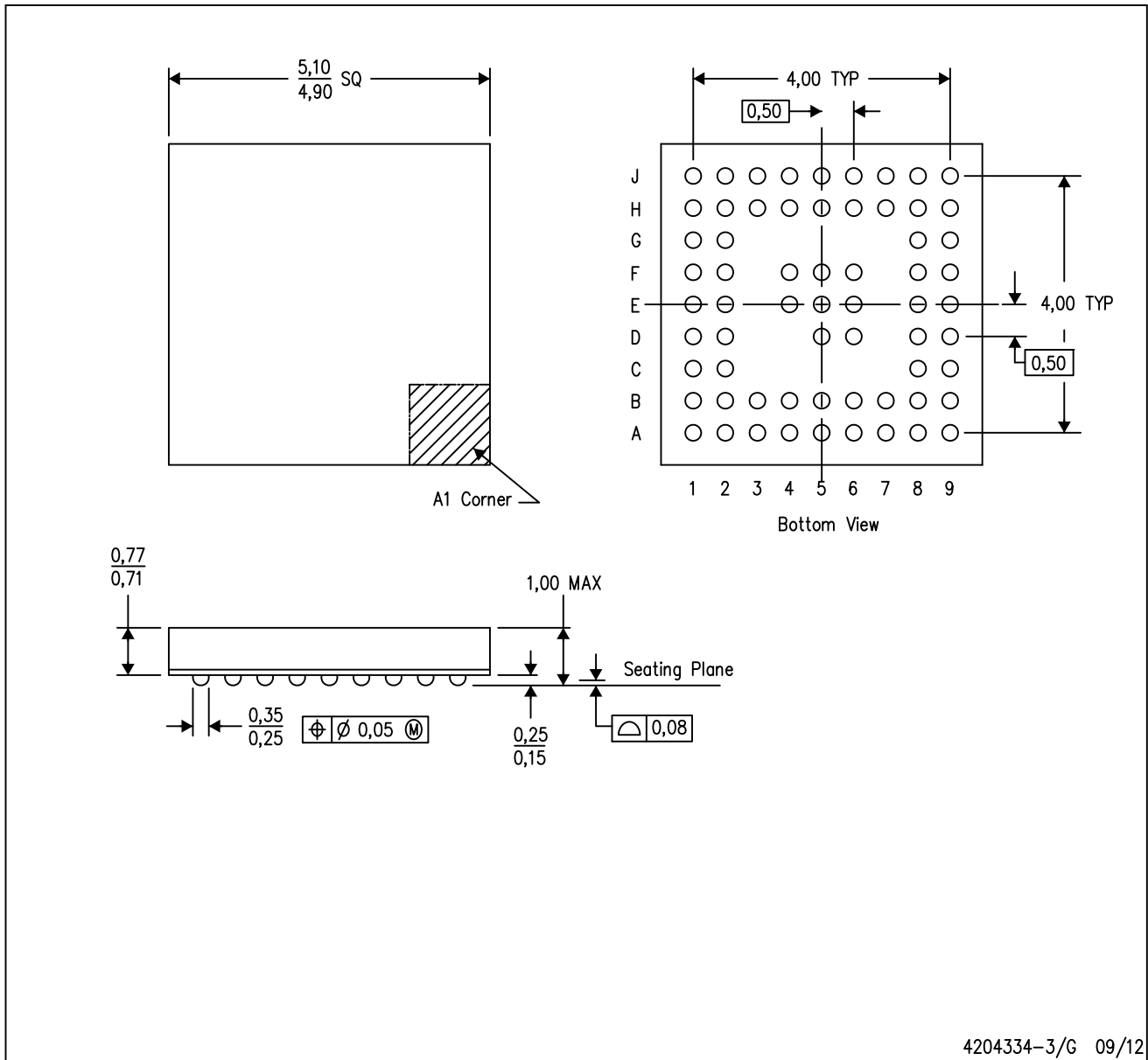
*All dimensions are nominal

Device	Package Type	Package Drawing	Pins	SPQ	Length (mm)	Width (mm)	Height (mm)
SN65DSI86ZQER	BGA MICROSTAR JUNIOR	ZQE	64	2500	336.6	336.6	31.8

MECHANICAL DATA

ZQE (S-PBGA-N64)

PLASTIC BALL GRID ARRAY



- NOTES:
- A. All linear dimensions are in millimeters. Dimensioning and tolerancing per ASME Y14.5M-1994.
 - B. This drawing is subject to change without notice.
 - C. Falls within JEDEC MO-225
 - D. This is a Pb-free solder ball design.

MicroStar Junior is a trademark of Texas Instruments.

IMPORTANT NOTICE

Texas Instruments Incorporated and its subsidiaries (TI) reserve the right to make corrections, enhancements, improvements and other changes to its semiconductor products and services per JESD46, latest issue, and to discontinue any product or service per JESD48, latest issue. Buyers should obtain the latest relevant information before placing orders and should verify that such information is current and complete. All semiconductor products (also referred to herein as "components") are sold subject to TI's terms and conditions of sale supplied at the time of order acknowledgment.

TI warrants performance of its components to the specifications applicable at the time of sale, in accordance with the warranty in TI's terms and conditions of sale of semiconductor products. Testing and other quality control techniques are used to the extent TI deems necessary to support this warranty. Except where mandated by applicable law, testing of all parameters of each component is not necessarily performed.

TI assumes no liability for applications assistance or the design of Buyers' products. Buyers are responsible for their products and applications using TI components. To minimize the risks associated with Buyers' products and applications, Buyers should provide adequate design and operating safeguards.

TI does not warrant or represent that any license, either express or implied, is granted under any patent right, copyright, mask work right, or other intellectual property right relating to any combination, machine, or process in which TI components or services are used. Information published by TI regarding third-party products or services does not constitute a license to use such products or services or a warranty or endorsement thereof. Use of such information may require a license from a third party under the patents or other intellectual property of the third party, or a license from TI under the patents or other intellectual property of TI.

Reproduction of significant portions of TI information in TI data books or data sheets is permissible only if reproduction is without alteration and is accompanied by all associated warranties, conditions, limitations, and notices. TI is not responsible or liable for such altered documentation. Information of third parties may be subject to additional restrictions.

Resale of TI components or services with statements different from or beyond the parameters stated by TI for that component or service voids all express and any implied warranties for the associated TI component or service and is an unfair and deceptive business practice. TI is not responsible or liable for any such statements.

Buyer acknowledges and agrees that it is solely responsible for compliance with all legal, regulatory and safety-related requirements concerning its products, and any use of TI components in its applications, notwithstanding any applications-related information or support that may be provided by TI. Buyer represents and agrees that it has all the necessary expertise to create and implement safeguards which anticipate dangerous consequences of failures, monitor failures and their consequences, lessen the likelihood of failures that might cause harm and take appropriate remedial actions. Buyer will fully indemnify TI and its representatives against any damages arising out of the use of any TI components in safety-critical applications.

In some cases, TI components may be promoted specifically to facilitate safety-related applications. With such components, TI's goal is to help enable customers to design and create their own end-product solutions that meet applicable functional safety standards and requirements. Nonetheless, such components are subject to these terms.

No TI components are authorized for use in FDA Class III (or similar life-critical medical equipment) unless authorized officers of the parties have executed a special agreement specifically governing such use.

Only those TI components which TI has specifically designated as military grade or "enhanced plastic" are designed and intended for use in military/aerospace applications or environments. Buyer acknowledges and agrees that any military or aerospace use of TI components which have **not** been so designated is solely at the Buyer's risk, and that Buyer is solely responsible for compliance with all legal and regulatory requirements in connection with such use.

TI has specifically designated certain components as meeting ISO/TS16949 requirements, mainly for automotive use. In any case of use of non-designated products, TI will not be responsible for any failure to meet ISO/TS16949.

Products

Audio	www.ti.com/audio
Amplifiers	amplifier.ti.com
Data Converters	dataconverter.ti.com
DLP® Products	www.dlp.com
DSP	dsp.ti.com
Clocks and Timers	www.ti.com/clocks
Interface	interface.ti.com
Logic	logic.ti.com
Power Mgmt	power.ti.com
Microcontrollers	microcontroller.ti.com
RFID	www.ti-rfid.com
OMAP Applications Processors	www.ti.com/omap
Wireless Connectivity	www.ti.com/wirelessconnectivity

Applications

Automotive and Transportation	www.ti.com/automotive
Communications and Telecom	www.ti.com/communications
Computers and Peripherals	www.ti.com/computers
Consumer Electronics	www.ti.com/consumer-apps
Energy and Lighting	www.ti.com/energy
Industrial	www.ti.com/industrial
Medical	www.ti.com/medical
Security	www.ti.com/security
Space, Avionics and Defense	www.ti.com/space-avionics-defense
Video and Imaging	www.ti.com/video

TI E2E Community

e2e.ti.com