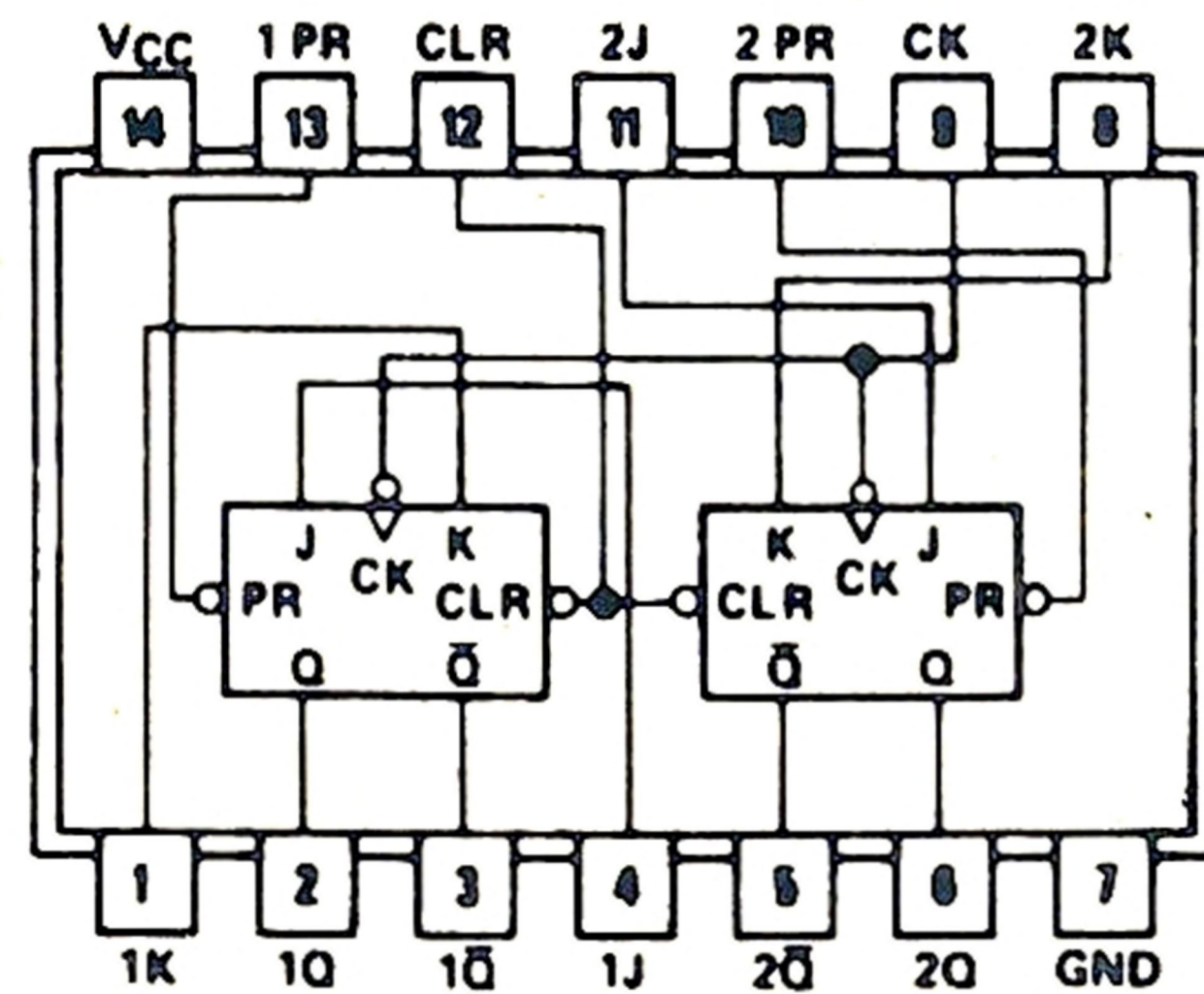


SN74108



108 Dwa przerzutniki JK przełączane ujemnym zboczem z wejściami PR i wspólnymi wejściami CLR i zegara

Dual J-K negative edge triggered flip flops with preset, common clear, and common clock

Tablica przejść

| Wejścia | | | | | Wyjścia | |
|---------|-------|-------|---|---|---------|-------------|
| Preset | Clear | Clock | J | K | Q | \bar{Q} |
| L | H | X | X | X | H | L |
| H | L | X | X | X | L | H |
| L | L | X | X | X | H | H |
| H | H | ↓ | L | L | Q_0 | \bar{Q}_0 |
| H | H | ↓ | H | L | H | L |
| H | H | ↓ | L | H | L | H |
| H | H | ↓ | H | H | TOGGLE | |
| H | H | H | X | X | Q_0 | \bar{Q}_0 |