

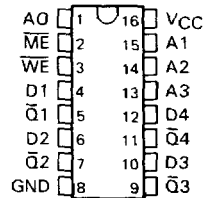
SN7489

64-BIT RANDOM-ACCESS READ/WRITE MEMORY

D1416, DECEMBER 1972—REVISED FEBRUARY 1984

- For Application as a "Scratch Pad" Memory with Nondestructive Read-Out
- Fully Decoded Memory Organized as 16 Words of Four Bits Each
- Fast Access Time . . . 33 ns Typical
- Diode-Clamped, Buffered Inputs
- Open-Collector Outputs Provide Wire-AND Capability
- Typical Power Dissipation . . . 375 mW
- Compatible with Most TTL Circuits

SN7489 . . . J OR N PACKAGE
(TOP VIEW)

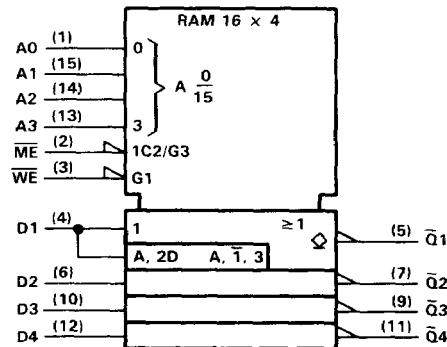


description

This 64-bit active-element memory is a monolithic, high-speed, transistor-transistor logic (TTL) array of 64 flip-flop memory cells organized in a matrix to provide 16 words of four bits each. Each of the 16 words is addressed in straight binary with full on-chip decoding.

The buffered memory inputs consist of four address lines, four data inputs, a write enable, and a memory enable for controlling the entry and access of data. The memory has open-collector outputs which may be wired-AND connected to permit expansion up to 4704 words of N-bit length without additional output buffering. Access time is typically 33 nanoseconds; power dissipation is typically 375 milliwatts.

logic symbol



FUNCTION TABLE

ME	WE	OPERATION	CONDITION OF OUTPUTS
L	L	Write	Complement of Data Inputs
L	H	Read	Complement of Selected Word
H	L	Inhibit Storage	Complement of Data Inputs
H	H	Do Nothing	High

write operation

Information present at the data inputs is written into the memory by addressing the desired word and holding both the memory enable and write enable low. Since the internal output of the data input gate is common to the input of the sense amplifier, the sense output will assume the opposite state of the information at the data inputs when the write enable is low.

read operation

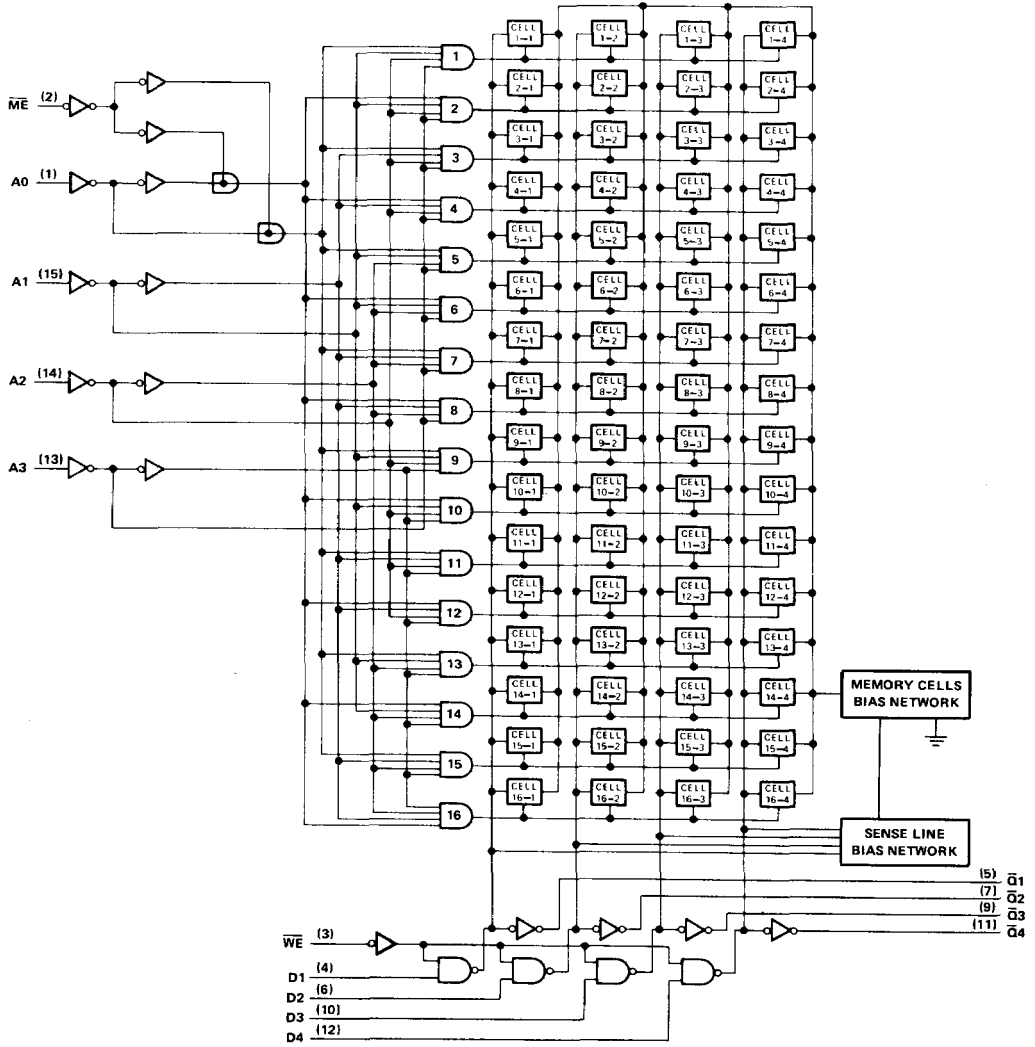
The complement of the information which has been written into the memory is nondestructively read out at the four sense outputs. This is accomplished by holding the memory enable low, the write enable high, and selecting the desired address.

5

RAMS

SN7489
64-BIT RANDOM-ACCESS READ/WRITE MEMORY

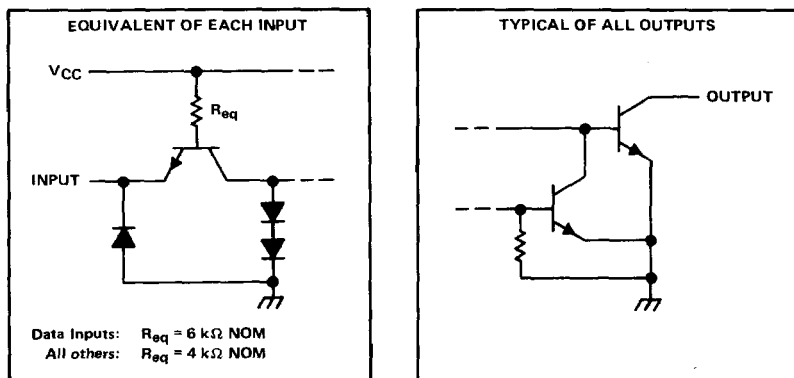
logic diagram



5
RAMS

SN7489
64-BIT RANDOM-ACCESS READ/WRITE MEMORY

schematics of inputs and outputs



absolute maximum ratings over operating free-air temperature range (unless otherwise noted)

Supply voltage, V_{CC} (see Note 1)	7 V
Input voltage (see Note 1)	5.5 V
High-level output voltage, V_{OH} (see Notes 1 and 2)	5.5 V
Operating free-air temperature range	0°C to 70°C
Storage temperature range	-65°C to 150°C

- NOTES: 1. Voltage values are with respect to network ground terminal.
2. This is the maximum voltage that should be applied to any output when it is in the off state.

recommended operating conditions

	MIN	NOM	MAX	UNIT
Supply voltage, V_{CC}	4.75	5	5.25	V
Width of write-enable pulse, t_w	40			ns
Setup time, data input with respect to write enable, t_{SU} (see Figure 1)	40			ns
Hold time, data input with respect to write enable, t_H (see Figure 1)	5			ns
Select input setup time with respect to write enable, t_{SU}	0			ns
Select input hold time after writing, t_H (see Figure 1)	5			ns
Operating free-air temperature, T_A	0		70	°C

5
RAMS

SN7489
64-BIT RANDOM-ACCESS READ/WRITE MEMORY

electrical characteristics over recommended operating free-air temperature range (unless otherwise noted)

PARAMETER	TEST CONDITIONS†	MIN	TYP‡	MAX	UNIT
V _{IH} High-level input voltage		2			V
V _{IL} Low-level input voltage				0.8	V
V _{IK} Input clamp voltage	V _{CC} = MIN, I _I = -12 mA			-1.5	V
I _{OH} High-level output current	V _{CC} = MIN, V _{IH} = 2 V, V _{IL} = 0.8 V, V _{OH} = 5.5 V			20	μA
V _{OL} Low-level output voltage	V _{CC} = MIN, V _{IH} = 2 V, V _{IL} = 0.8 V, I _{OL} = 12 mA, I _{QL} = 16 mA			0.4 0.45	V
I _I Input current at maximum input voltage	V _{CC} = MAX, V _I = 5.5 V			1	mA
I _{IH} High-level input current	V _{CC} = MAX, V _I = 2.4 V			40	μA
I _{IL} Low-level input current	V _{CC} = MAX, V _I = 0.4 V			-1.6	mA
I _{CC} Supply current	V _{CC} = MAX, See Note 3		75	105	mA
C _O Off-state output capacitance	V _{CC} = 5 V, V _O = 2.4 V, f = 1 MHz		6.5		pF

†For conditions shown as MIN or MAX, use the appropriate value specified under recommended operating conditions.

‡All typical values are at V_{CC} = 5 V, T_A = 25°C.

NOTE 3: I_{CC} is measured with the memory enable grounded, all other inputs at 4.5 V, and all outputs open.

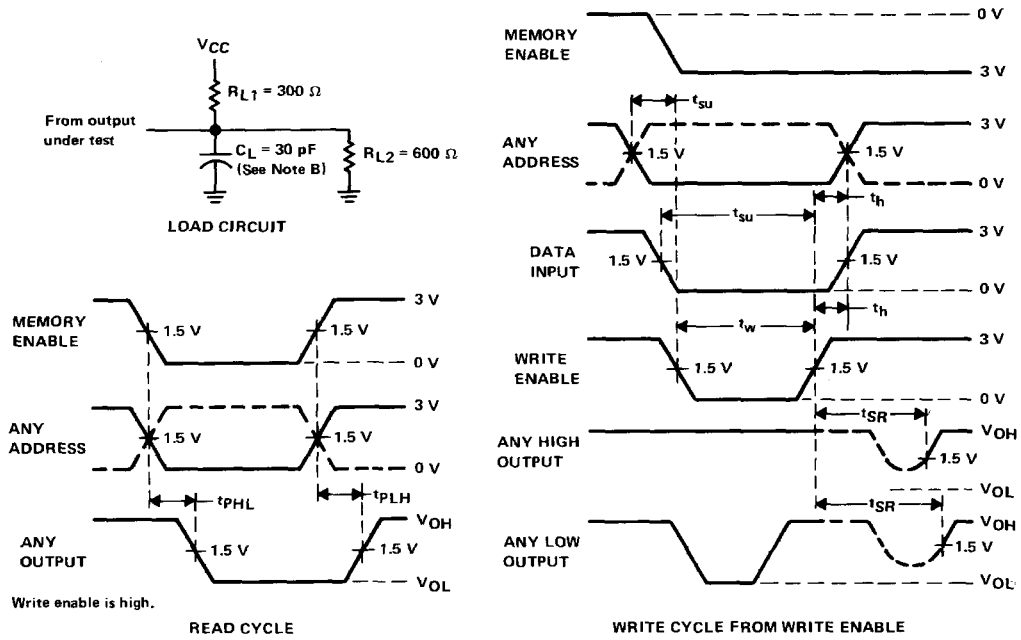
switching characteristics, V_{CC} = 5 V, T_A = 25°C

PARAMETER	TEST CONDITIONS	MIN	TYP	MAX	UNIT	
t _{PLH} Propagation delay time, low-to-high-level output from memory enable	C _L = 30 pF, R _{L1} = 300 Ω, R _{L2} = 600 Ω, See Figure 1		26	50	ns	
t _{PHL} Propagation delay time, high-to-low-level output from memory enable			33	50		
t _{PLH} Propagation delay time, low-to-high-level output from any address input			30	60	ns	
t _{PHL} Propagation delay time, high-to-low-level output from any address input			35	60		
t _{SR} Sense recovery time after writing		Output initially high		39	70	ns
		Output initially low		48	70	

5
RAMS

SN7489
64-BIT RANDOM-ACCESS READ/WRITE MEMORY

PARAMETER MEASUREMENT INFORMATION



NOTES: A. The input pulse generators have the following characteristics: $t_r \leq 10$ ns, $t_f \leq 10$ ns, PRR = 1 MHz, $Z_{out} = 50 \Omega$.
B. C_L includes probe and jig capacitance.

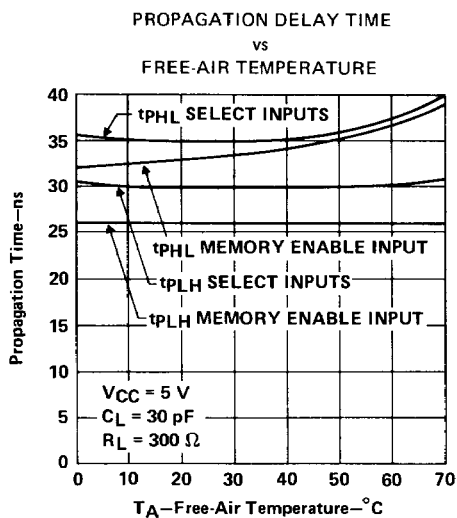
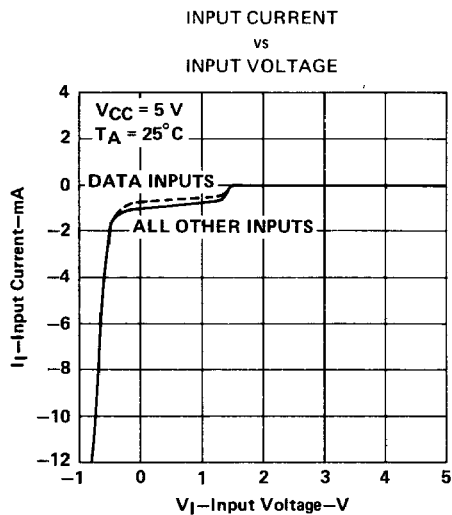
FIGURE 1—SWITCHING CHARACTERISTICS

5

RAMs

SN7489
64-BIT RANDOM-ACCESS READ/WRITE MEMORY

TYPICAL CHARACTERISTICS



RAMS