

## SN74LV4066A Quadruple Bilateral Analog Switches

### 1 Features

- 1.65V to 5.5V  $V_{CC}$  operation
- Support mixed-mode voltage operation on all ports
- High on-off output-voltage ratio
- Low crosstalk between switches
- Individual switch controls
- Extremely low input current
- ESD protection exceeds JESD 22:
  - 2000-V Human-Body Model (A114-A)
  - 200-V Machine Model (A115-A)
  - 750-V Charged-Device Model (C101)

### 2 Applications

- [Telecommunications](#)
- [eCall](#)
- [Infotainment](#)

### 3 Description

This quadruple silicon-gate CMOS analog switch is designed for 1.65V to 5.5V  $V_{CC}$  operation.

These switches are designed to handle both analog and digital signals. Each switch permits signals with amplitudes up to 5.5V (peak) to be transmitted in either direction.

Each switch section has its own enable-input control (C). A high-level voltage applied to C turns on the associated switch section.

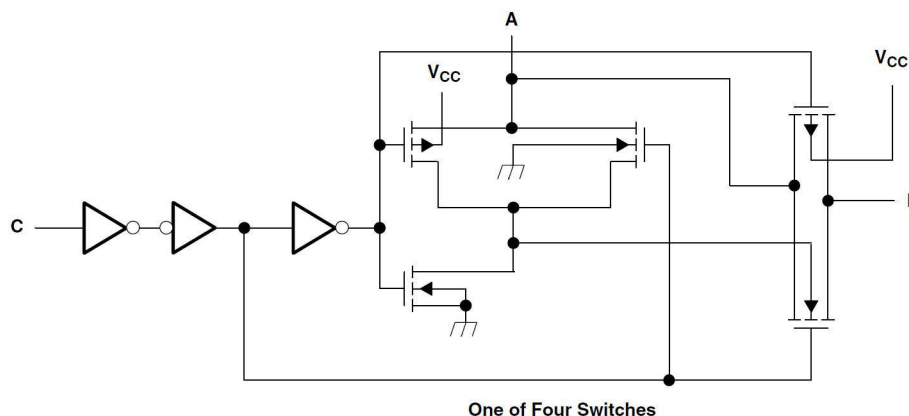
Applications include signal gating, chopping, modulation or demodulation (modem), and signal multiplexing for analog-to-digital and digital-to-analog conversion systems.

#### Package Information

PART NUMBER	PACKAGE <sup>(1)</sup>	PACKAGE SIZE <sup>(2)</sup>
SN74LV4066A	D (SOIC, 14)	8.65mm × 6mm
	PW (TSSOP, 14)	5mm × 6.4mm
	RGY (QFN, 14)	3.5mm × 3.5mm

(1) For more information, see [Section 10](#).

(2) The package size (length × width) is a nominal value and includes pins, where applicable.



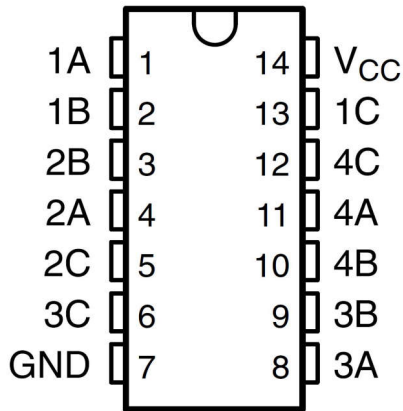
Logic Diagram (Positive Logic)



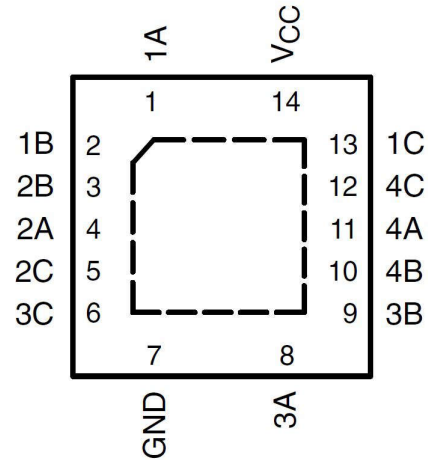
## Table of Contents

<b>1 Features</b> .....	<b>1</b>	<b>6 Parameter Measurement Information</b> .....	<b>10</b>
<b>2 Applications</b> .....	<b>1</b>	<b>7 Detailed Description</b> .....	<b>14</b>
<b>3 Description</b> .....	<b>1</b>	7.1 Functional Block Diagram.....	14
<b>4 Pin Configuration and Functions</b> .....	<b>3</b>	7.2 Device Functional Modes.....	14
<b>5 Specifications</b> .....	<b>4</b>	<b>8 Device and Documentation Support</b> .....	<b>15</b>
5.1 Absolute Maximum Ratings.....	4	8.1 Receiving Notification of Documentation Updates....	15
5.2 ESD Ratings.....	4	8.2 Support Resources.....	15
5.3 Thermal Information: SN74LV4066A.....	4	8.3 Trademarks.....	15
5.4 Recommended Operating Conditions.....	5	8.4 Electrostatic Discharge Caution.....	15
5.5 Electrical Characteristics (LV).....	5	8.5 Glossary.....	15
5.6 Timing Characteristics $V_{CC} = 2.5V \pm 0.2V$ .....	7	<b>9 Revision History</b> .....	<b>15</b>
5.7 Timing Characteristics $V_{CC} = 3.3V \pm 0.3V$ .....	7	<b>10 Mechanical, Packaging, and Orderable</b>	
5.8 Timing Characteristics $V_{CC} = 5V \pm 0.5V$ .....	8	<b>Information</b> .....	<b>15</b>
5.9 AC Characteristics.....	8		

## 4 Pin Configuration and Functions



**Figure 4-1. D or PW Package, 14-Pin SOIC or TSSOP (Top View)**



**Figure 4-2. RGY Package, 14-Pin QFN (Top View)**

**Table 4-1. Pin Functions**

PIN		TYPE <sup>(1)</sup>	DESCRIPTION
NAME	NO.		
1A	1	I/O	Input/Output to switch channel 1
1B	2	I/O	Input/Output to switch channel 1
2B	3	I/O	Input/Output to switch channel 2
2A	4	I/O	Input/Output to switch channel 2
2C	5	I	Control line for channel 2. Switch is ON when control pin is high.
3C	6	I	Control line for channel 3. Switch is ON when control pin is high.
GND	7	—	Ground (0V) reference
3A	8	I/O	Input/Output to switch channel 3
3B	9	I/O	Input/Output to switch channel 3
4B	10	I/O	Input/Output to switch channel 4
4A	11	I/O	Input/Output to switch channel 4
4C	12	I	Control line for channel 4. Switch is ON when control pin is high.
1C	13	I	Control line for channel 1. Switch is ON when control pin is high.
V <sub>CC</sub>	14	—	Positive power supply. This pin is the most positive power-supply potential. For reliable operation, connect a decoupling capacitor ranging from 0.1µF to 10µF between VDD and GND.
Thermal pad		—	It is recommended to tie the pad to GND for the best performance.

(1) Signal types: I = input, O = output, I/O = input or output.

## 5 Specifications

### 5.1 Absolute Maximum Ratings

over operating free-air temperature range (unless otherwise noted)<sup>(1) (3)</sup>

		MIN	MAX	UNIT
V <sub>CC</sub>	Supply voltage	-0.5	7.0	V
V <sub>I</sub>	Logic input voltage range	-0.5	7.0	V
V <sub>IO</sub>	Switch I/O voltage range <sup>(2) (3)</sup>	-0.5	V <sub>CC</sub> + 0.5	V
I <sub>IK</sub>	Logic input clamp current	V <sub>I</sub> < 0		mA
I <sub>IOK</sub>	Switch path diode clamp current	V <sub>IO</sub> < 0 or V <sub>IO</sub> > V <sub>CC</sub>	50	mA
I <sub>T</sub>	Switch continuous current	V <sub>IO</sub> = 0 to V <sub>CC</sub>	±25	mA
	Continuous current through V <sub>CC</sub> or GND		±50	mA
T <sub>J</sub>	Junction temperature		150	°C
T <sub>stg</sub>	Storage temperature	-65	150	°C

- (1) Operation outside the *Absolute Maximum Ratings* may cause permanent device damage. Absolute maximum ratings do not imply functional operation of the device at these or any other conditions beyond those listed under *Recommended Operating Conditions*. If briefly operating outside the *Recommended Operating Conditions* but within the *Absolute Maximum Ratings*, the device may not sustain damage, but it may not be fully functional. Operating the device in this manner may affect device reliability, functionality, performance, and shorten the device lifetime.
- (2) Pins are diode-clamped to the power-supply rails. Over voltage signals must be voltage and current limited to maximum ratings.
- (3) This value is limited to 5.5V maximum

### 5.2 ESD Ratings

			VALUE	UNIT
V <sub>(ESD)</sub>	Electrostatic discharge	Human body model (HBM), per ANSI/ESDA/ JEDEC JS-001, all pins <sup>(1)</sup>	±2000	V
		Charged device model (CDM), per JEDEC specification JESD22-C101, all pins <sup>(2)</sup>	±1000	

- (1) JEDEC document JEP155 states that 500-V HBM allows safe manufacturing with a standard ESD control process.
- (2) JEDEC document JEP157 states that 250-V CDM allows safe manufacturing with a standard ESD control process.

### 5.3 Thermal Information: SN74LV4066A

THERMAL METRIC <sup>(1)</sup>		SN74LV4066A			UNIT
		D (SOIC)	PW (TSSOP)	RGY (VQFN)	
		14 PINS	14 PINS	14 PINS	
R <sub>θJA</sub>	Junction-to-ambient thermal resistance	128.8	150.6	91.9	°C/W
R <sub>θJC(top)</sub>	Junction-to-case (top) thermal resistance	81.8	78.2	91.8	°C/W
R <sub>θJB</sub>	Junction-to-board thermal resistance	84.2	93.7	66.5	°C/W
Ψ <sub>JT</sub>	Junction-to-top characterization parameter	39.5	24.6	20.0	°C/W
Ψ <sub>JB</sub>	Junction-to-board characterization parameter	83.7	93.1	66.3	°C/W
R <sub>θJC(bot)</sub>	Junction-to-case (bottom) thermal resistance	N/A	N/A	50.0	°C/W

- (1) For more information about traditional and new thermal metrics, see the [Semiconductor and IC Package Thermal Metrics](#) application report.

## 5.4 Recommended Operating Conditions

over operating free-air temperature range (unless otherwise noted)<sup>(1)</sup>

		MIN	NOM	MAX	UNIT
V <sub>CC</sub>	Supply voltage	1.65		5.5	V
V <sub>IH</sub>	High-level input voltage, logic control inputs	V <sub>CC</sub> = 2V	1.5	5.5	V
		V <sub>CC</sub> = 2.3V to 2.7V	V <sub>CC</sub> × 0.7	5.5	
		V <sub>CC</sub> = 3V to 3.6V	V <sub>CC</sub> × 0.7	5.5	
		V <sub>CC</sub> = 4.5V to 5.5V	V <sub>CC</sub> × 0.7	5.5	
V <sub>IL</sub>	Low-level input voltage, logic control inputs	V <sub>CC</sub> = 2V	0	0.5	V
		V <sub>CC</sub> = 2.3V to 2.7V	0	V <sub>CC</sub> × 0.3	
		V <sub>CC</sub> = 3V to 3.6V	0	V <sub>CC</sub> × 0.3	
		V <sub>CC</sub> = 4.5V to 5.5V	0	V <sub>CC</sub> × 0.3	
V <sub>I</sub>	Logic control input voltage	0		5.5	V
V <sub>IO</sub>	Switch input or output voltage	0		V <sub>CC</sub>	V
Δt/ΔV	Logic input transition rise or fall rate	V <sub>CC</sub> = 2.3V to 2.7V		200	ns/V
		V <sub>CC</sub> = 3V to 3.6V		100	
		V <sub>CC</sub> = 4.5V to 5.5V		20	
T <sub>A</sub>	Ambient temperature	–40		125	°C

(1) All unused inputs of the device must be held at V<sub>CC</sub> or GND for proper device operation. Refer to TI application report *Implications of Slow or Floating CMOS Inputs*, SCBA004.

## 5.5 Electrical Characteristics (LV)

over recommended operating free-air temperature range (unless otherwise noted)

PARAMETER	CONDITIONS	T <sub>A</sub>	V <sub>CC</sub>	MIN	TYP	MAX	UNIT	
r <sub>ON</sub>	ON-state switch resistance	I <sub>T</sub> = 2mA, V <sub>I</sub> = V <sub>CC</sub> or GND, V <sub>INH</sub> = V <sub>IL</sub> (see Figure 6-1)	1.65V		25°C	60	150	Ω
					–40°C to 85°C		225	
					–40°C to 125°C		225	
			25°C	2.3V		38	180	
			–40°C to 85°C				225	
			–40°C to 125°C				225	
			25°C	3V		29	150	Ω
			–40°C to 85°C				190	
			–40°C to 125°C				190	
			25°C	4.5V		21	75	Ω
			–40°C to 85°C				100	
			–40°C to 125°C				100	

## 5.5 Electrical Characteristics (LV) (continued)

over recommended operating free-air temperature range (unless otherwise noted)

PARAMETER		CONDITIONS	T <sub>A</sub>	V <sub>CC</sub>	MIN	TYP	MAX	UNIT	
r <sub>ON(p)</sub>	Peak ON-state resistance	I <sub>T</sub> = 2mA, V <sub>I</sub> = GND to V <sub>CC</sub> , V <sub>INH</sub> = V <sub>IL</sub>	25°C	1.65V			130	600	Ω
			–40°C to 85°C				700		
			–40°C to 125°C				700		
			25°C	2.3V			143	500	
			–40°C to 85°C				600		
			–40°C to 125°C				600		
			25°C	3V			57	180	Ω
			–40°C to 85°C				225		
			–40°C to 125°C				225		
			25°C	4.5V			31	100	Ω
			–40°C to 85°C				125		
			–40°C to 125°C				125		
Δr <sub>ON</sub>	Difference in ON-state resistance between switches	I <sub>T</sub> = 2mA, V <sub>I</sub> = GND to V <sub>CC</sub> , V <sub>INH</sub> = V <sub>IL</sub>	25°C	1.65V			2.5	Ω	
			–40°C to 85°C				3		
			–40°C to 125°C				3		
			25°C	2.3V			3		30
			–40°C to 85°C				40		
			–40°C to 125°C				40		
			25°C	3V			3	20	Ω
			–40°C to 85°C				30		
			–40°C to 125°C				30		
			25°C	4.5V			2	15	Ω
			–40°C to 85°C				20		
			–40°C to 125°C				20		
I <sub>IH</sub> I <sub>IL</sub>	Control input current	V <sub>I</sub> = 5.5V or GND	25°C	0 to 5.5V			0.1	μA	
			–40°C to 85°C				1		
			–40°C to 125°C				1		
I <sub>S(off)</sub>	OFF-state switch leakage current	V <sub>I</sub> = V <sub>CC</sub> and V <sub>O</sub> = GND, or V <sub>I</sub> = GND and V <sub>O</sub> = V <sub>CC</sub> , V <sub>INH</sub> = V <sub>IH</sub> (see Figure 6-2)	25°C	5.5V			±0.1	μA	
			–40°C to 85°C				±1		
			–40°C to 125°C				±1		
I <sub>S(on)</sub>	ON-state switch leakage current	V <sub>I</sub> = V <sub>CC</sub> or GND, V <sub>INH</sub> = V <sub>IL</sub> (see Figure 6-3)	25°C	5.5V			±0.1	μA	
			–40°C to 85°C				±1		
			–40°C to 125°C				±1		
I <sub>CC</sub>	Supply current	V <sub>I</sub> = V <sub>CC</sub> or GND V <sub>INH</sub> = 0V	25°C	5.5V			0.01	μA	
			–40°C to 85°C				20		
			–40°C to 125°C				20		
C <sub>IC</sub>	Control input capacitance	f = 10MHz	25°C	3.3V		4	pF		
C <sub>IS</sub>	Switch terminal capacitance	f = 10MHz	25°C	3.3V		5.5	pF		
C <sub>OS(on)</sub>	Common terminal ON-capacitance	f = 10MHz	25°C	3.3V		5.5	pF		
C <sub>F</sub>	Feedthrough capacitance	f = 10MHz	25°C	3.3V		0.5	pF		

### 5.5 Electrical Characteristics (LV) (continued)

over recommended operating free-air temperature range (unless otherwise noted)

PARAMETER		CONDITIONS	T <sub>A</sub>	V <sub>CC</sub>	MIN	TYP	MAX	UNIT
C <sub>PD</sub>	Power dissipation capacitance	C <sub>L</sub> = 50pF, f = 10MHz	25°C	3.3V		4.5		pF

### 5.6 Timing Characteristics V<sub>CC</sub> = 2.5V ± 0.2V

over recommended operating free-air temperature range (unless otherwise noted)

V<sub>CC</sub> = 2V ± 0.2V (unless otherwise noted)

PARAMETER		FROM (INPUT)	TO (OUTPUT)	CONDITIONS	T <sub>A</sub>	MIN	TYP	MAX	UNIT
t <sub>PLH</sub> t <sub>PHL</sub>	Propagation delay time	COM or Y <sub>n</sub>	Y <sub>n</sub> or COM	C <sub>L</sub> = 15pF (see Figure 6-4)	25°C		1.2	10	ns
					-40°C to 85°C			16	
					-40°C to 125°C			18	
t <sub>PZH</sub> t <sub>PZL</sub>	Enable delay time	INH	COM or Y <sub>n</sub>	C <sub>L</sub> = 15pF (see Figure 6-5)	25°C		3.3	15	ns
					-40°C to 85°C			20	
					-40°C to 125°C			20	
t <sub>PHZ</sub> t <sub>PLZ</sub>	Disable delay time	INH	COM or Y <sub>n</sub>	C <sub>L</sub> = 15pF (see Figure 6-5)	25°C		6	15	ns
					-40°C to 85°C			23	
					-40°C to 125°C			23	
t <sub>PLH</sub> t <sub>PHL</sub>	Propagation delay time	COM or Y <sub>n</sub>	Y <sub>n</sub> or COM	C <sub>L</sub> = 50pF (see Figure 6-4)	25°C		2.6	12	ns
					-40°C to 85°C			18	
					-40°C to 125°C			18	
t <sub>PZH</sub> t <sub>PZL</sub>	Enable delay time	INH	COM or Y <sub>n</sub>	C <sub>L</sub> = 50pF (see Figure 6-5)	25°C		4.2	25	ns
					-40°C to 85°C			32	
					-40°C to 125°C			32	
t <sub>PHZ</sub> t <sub>PLZ</sub>	Disable delay time	INH	COM or Y <sub>n</sub>	C <sub>L</sub> = 50pF (see Figure 6-5)	25°C		9.6	25	ns
					-40°C to 85°C			32	
					-40°C to 125°C			32	

### 5.7 Timing Characteristics V<sub>CC</sub> = 3.3V ± 0.3V

over recommended operating free-air temperature range (unless otherwise noted)

V<sub>CC</sub> = 3.3V ± 0.3V (unless otherwise noted)

PARAMETER		FROM (INPUT)	TO (OUTPUT)	CONDITIONS	T <sub>A</sub>	MIN	TYP	MAX	UNIT
t <sub>PLH</sub> t <sub>PHL</sub>	Propagation delay time	COM or Y <sub>n</sub>	Y <sub>n</sub> or COM	C <sub>L</sub> = 15pF (see Figure 6-4)	25°C		0.8	6	ns
					-40°C to 85°C			10	
					-40°C to 125°C			10	
t <sub>PZH</sub> t <sub>PZL</sub>	Enable delay time	INH	COM or Y <sub>n</sub>	C <sub>L</sub> = 15pF (see Figure 6-5)	25°C		2.3	11	ns
					-40°C to 85°C			15	
					-40°C to 125°C			15	
t <sub>PHZ</sub> t <sub>PLZ</sub>	Disable delay time	INH	COM or Y <sub>n</sub>	C <sub>L</sub> = 15pF (see Figure 6-5)	25°C		4.5	11	ns
					-40°C to 85°C			15	
					-40°C to 125°C			15	
t <sub>PLH</sub> t <sub>PHL</sub>	Propagation delay time	COM or Y <sub>n</sub>	Y <sub>n</sub> or COM	C <sub>L</sub> = 50pF (see Figure 6-4)	25°C		1.5	9	ns
					-40°C to 85°C			12	
					-40°C to 125°C			12	

### 5.7 Timing Characteristics $V_{CC} = 3.3V \pm 0.3V$ (continued)

over recommended operating free-air temperature range (unless otherwise noted)

 $V_{CC} = 3.3V \pm 0.3V$  (unless otherwise noted)

PARAMETER		FROM (INPUT)	TO (OUTPUT)	CONDITIONS	$T_A$	MIN	TYP	MAX	UNIT
$t_{PZH}$ $t_{PZL}$	Enable delay time	INH	COM or Yn	$C_L = 50pF$ (see Figure 6-5)	25°C		8	18	ns
					-40°C to 85°C			22	
					-40°C to 125°C			22	
$t_{PHZ}$ $t_{PLZ}$	Disable delay time	INH	COM or Yn	$C_L = 50pF$ (see Figure 6-5)	25°C		7.2	18	ns
					-40°C to 85°C			22	
					-40°C to 125°C			22	

### 5.8 Timing Characteristics $V_{CC} = 5V \pm 0.5V$

over recommended operating free-air temperature range (unless otherwise noted)

 $V_{CC} = 5V \pm 0.5V$  (unless otherwise noted)

PARAMETER		FROM (INPUT)	TO (OUTPUT)	CONDITIONS	$T_A$	MIN	TYP	MAX	UNIT
$t_{PLH}$ $t_{PHL}$	Propagation delay time	COM or Yn	Yn or COM	$C_L = 15pF$ (see Figure 6-4)	25°C		0.6	4	ns
					-40°C to 85°C			7	
					-40°C to 125°C			7	
$t_{PZH}$ $t_{PZL}$	Enable delay time	INH	COM or Yn	$C_L = 15pF$ (see Figure 6-5)	25°C		3.5	8	ns
					-40°C to 85°C			10	
					-40°C to 125°C			11	
$t_{PHZ}$ $t_{PLZ}$	Disable delay time	INH	COM or Yn	$C_L = 15pF$ (see Figure 6-5)	25°C		4.4	8	ns
					-40°C to 85°C			10	
					-40°C to 125°C			10	
$t_{PLH}$ $t_{PHL}$	Propagation delay time	COM or Yn	Yn or COM	$C_L = 50pF$ (see Figure 6-4)	25°C		0.8	6	ns
					-40°C to 85°C			8	
					-40°C to 125°C			8	
$t_{PZH}$ $t_{PZL}$	Enable delay time	INH	COM or Yn	$C_L = 50pF$ (see Figure 6-5)	25°C		7	13	ns
					-40°C to 85°C			16	
					-40°C to 125°C			16	
$t_{PHZ}$ $t_{PLZ}$	Disable delay time	INH	COM or Yn	$C_L = 50pF$ (see Figure 6-5)	25°C		6.2	13	ns
					-40°C to 85°C			16	
					-40°C to 125°C			16	

### 5.9 AC Characteristics

over recommended operating free-air temperature range (unless otherwise noted)

PARAMETER	FROM (INPUT)	TO (OUTPUT)	Device	CONDITIONS	MIN	TYP	MAX	UNIT
Frequency response (switch on)	COM or Yn	Yn or COM	4066	$C_L = 50pF, R_L = 50\Omega,$ $F_{in} = 1MHz$ (sine wave) (see Figure 6-6) (1)	$V_{CC} = 2.3V$		60	MHz
					$V_{CC} = 3V$		75	
					$V_{CC} = 4.5V$		100	
Charge Injection (control input to signal output)	INH	COM or Yn	ALL	$C_L = 50pF$ $F_{in} = 1MHz$ (sine wave) (see Figure 6-7)	$V_{CC} = 2.3V$		15	mV
					$V_{CC} = 3V$		20	
					$V_{CC} = 4.5V$		50	



## 5.9 AC Characteristics (continued)

over recommended operating free-air temperature range (unless otherwise noted)

PARAMETER	FROM (INPUT)	TO (OUTPUT)	Device	CONDITIONS	MIN	TYP	MAX	UNIT
Feedthrough attenuation (switch off)	COM or Yn	Yn or COM	ALL	$C_L = 50\text{pF}$ , $R_L = 50\Omega$ , $F_{in} = 1\text{MHz}$ (sine wave) (see <a href="#">Figure 6-8(2)</a> )	$V_{CC} = 2.3\text{V}$		-40	dB
					$V_{CC} = 3\text{V}$		-40	
					$V_{CC} = 4.5\text{V}$		-40	
Crosstalk (between any switches)	COM or Yn	Yn or COM	ALL	$C_L = 50\text{pF}$ , $R_L = 50\Omega$ , $F_{in} = 1\text{MHz}$ (sine wave) (see <a href="#">Figure 6-9(2)</a> )	$V_{CC} = 2.3\text{V}$		-45	dB
					$V_{CC} = 3\text{V}$		-45	
					$V_{CC} = 4.5\text{V}$		-45	
Sine-wave distortion	COM or Yn	Yn or COM	ALL	$C_L = 50\text{pF}$ , $R_L = 10\text{k}\Omega$ , $F_{in} = 1\text{kHz}$ (sine wave) (see <a href="#">Figure 6-10</a> )	$V_I = 2V_{p-p}$ $V_{CC} = 2.3\text{V}$		0.1	%
					$V_I = 2.5V_{p-p}$ $V_{CC} = 3\text{V}$		0.1	
					$V_I = 4V_{p-p}$ $V_{CC} = 4.5\text{V}$		0.1	

## 6 Parameter Measurement Information

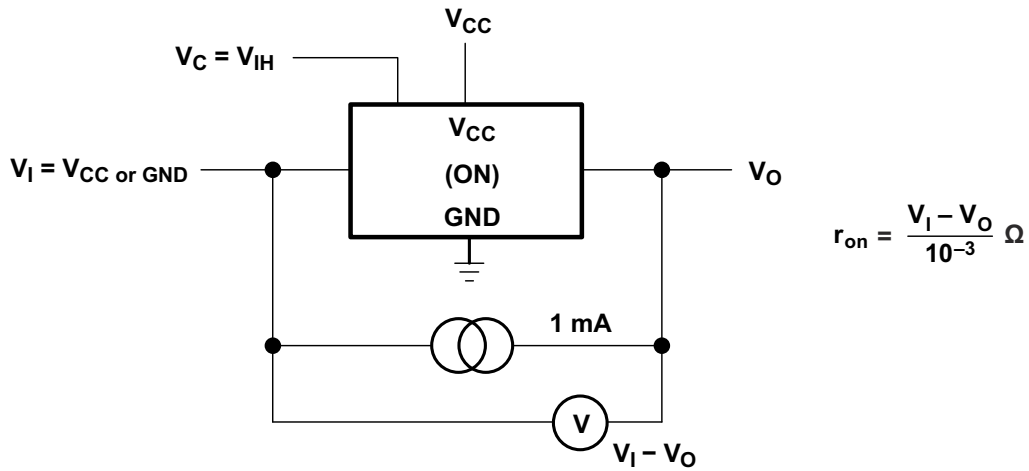
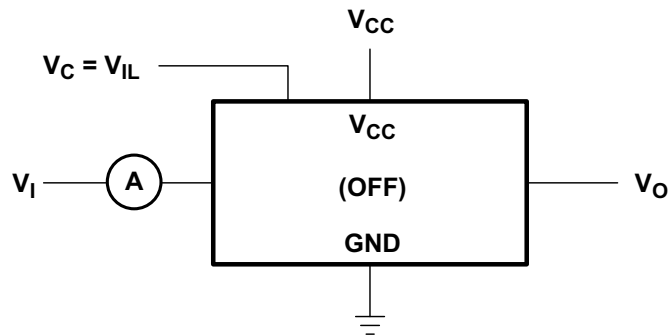
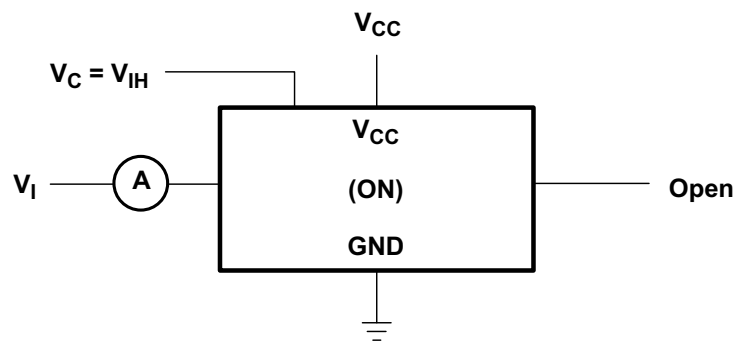


Figure 6-1. ON-State Resistance Test Circuit



Condition 1:  $V_I = 0, V_O = V_{CC}$   
 Condition 2:  $V_I = V_{CC}, V_O = 0$

Figure 6-2. OFF-State Switch Leakage-Current Test Circuit



$V_I = V_{CC} \text{ or } GND$

Figure 6-3. ON-State Leakage-Current Test Circuit

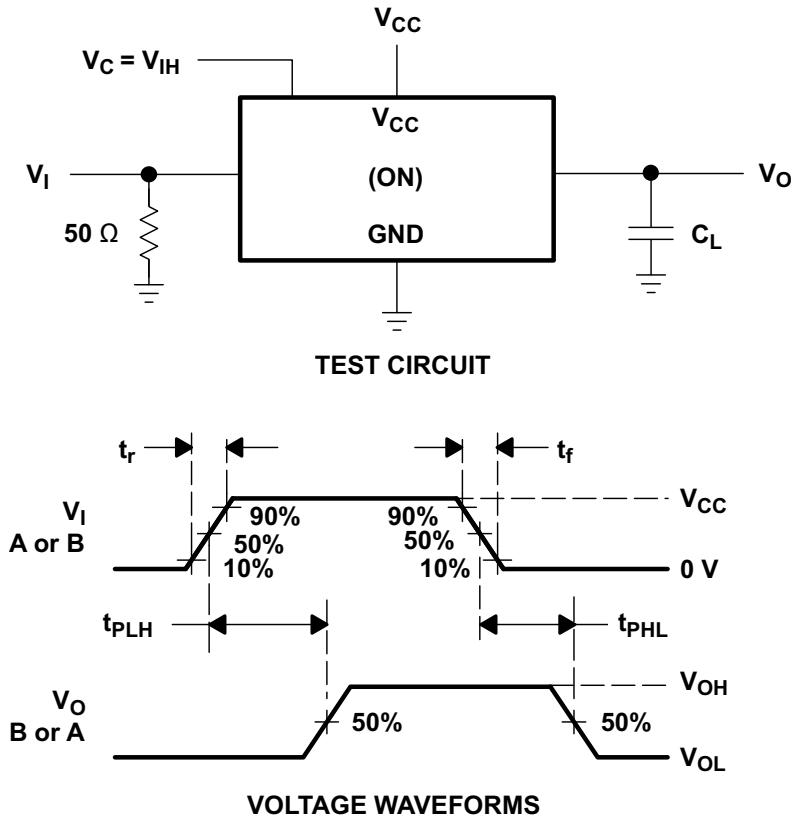
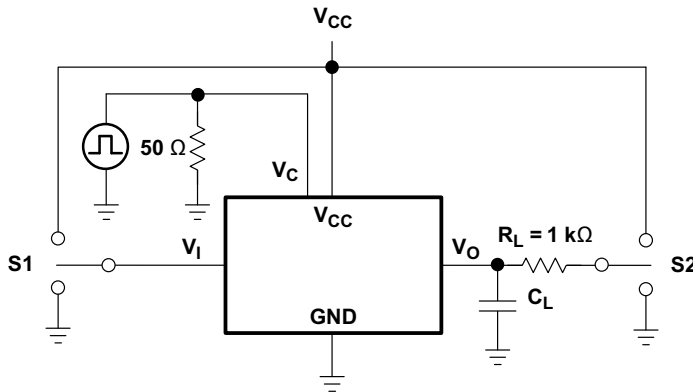
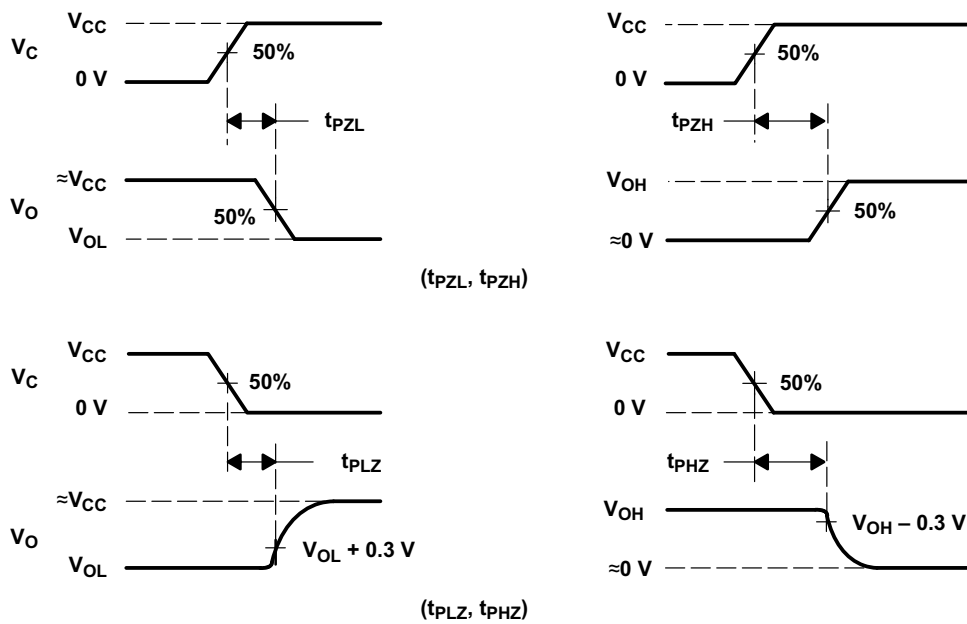


Figure 6-4. Propagation Delay Time, Signal Input to Signal Output



TEST CIRCUIT

TEST	S1	S2
$t_{PZL}$	GND	$V_{CC}$
$t_{PZH}$	$V_{CC}$	GND
$t_{PLZ}$	GND	$V_{CC}$
$t_{PHZ}$	$V_{CC}$	GND



VOLTAGE WAVEFORMS

Figure 6-5. Switching Time ( $t_{PZL}$ ,  $t_{PLZ}$ ,  $t_{PZH}$ ,  $t_{PHZ}$ ), Control to Signal Output

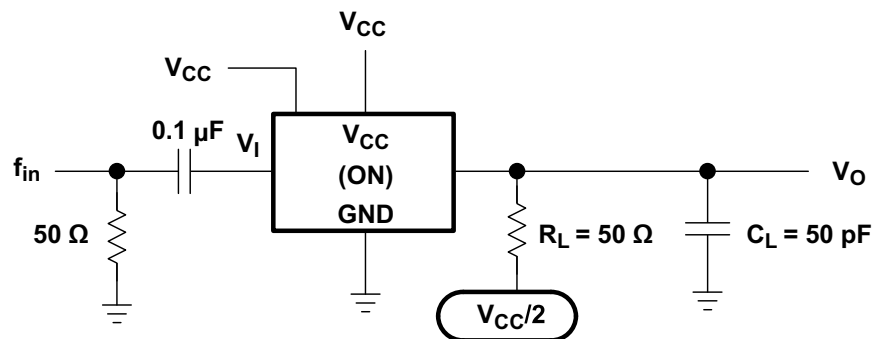


Figure 6-6. Frequency Response (Switch ON)

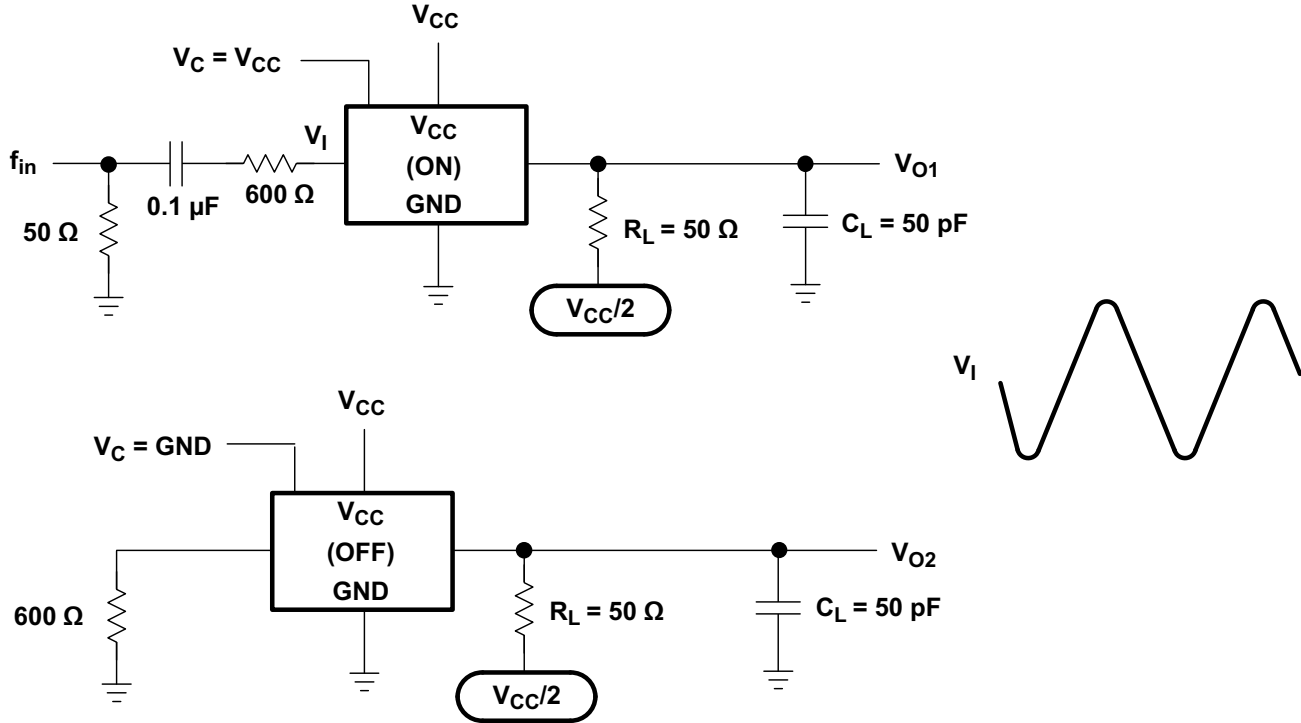


Figure 6-7. Crosstalk Between Any Two Switches

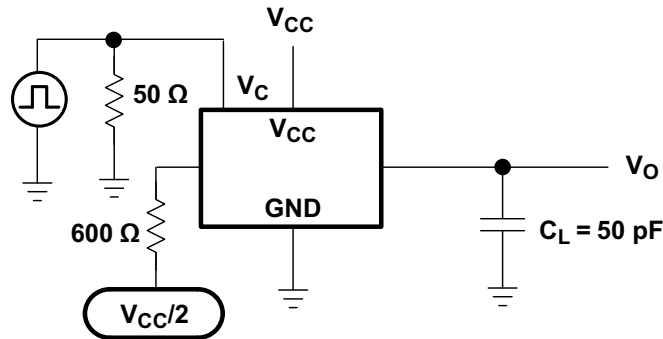


Figure 6-8. Crosstalk (Control Input – Switch Output)

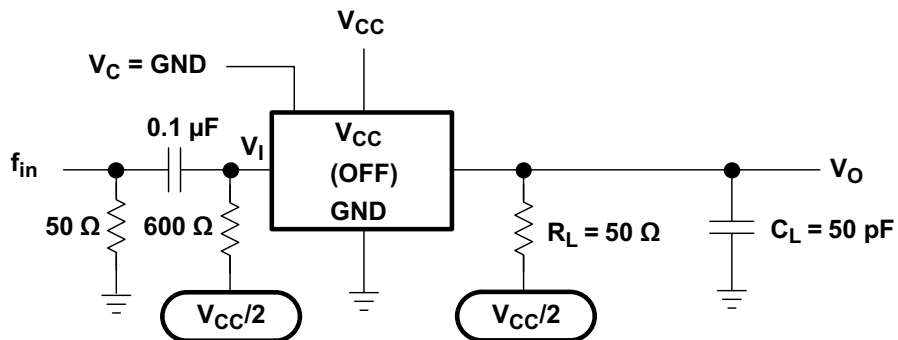


Figure 6-9. Feed-Through Attenuation (Switch OFF)

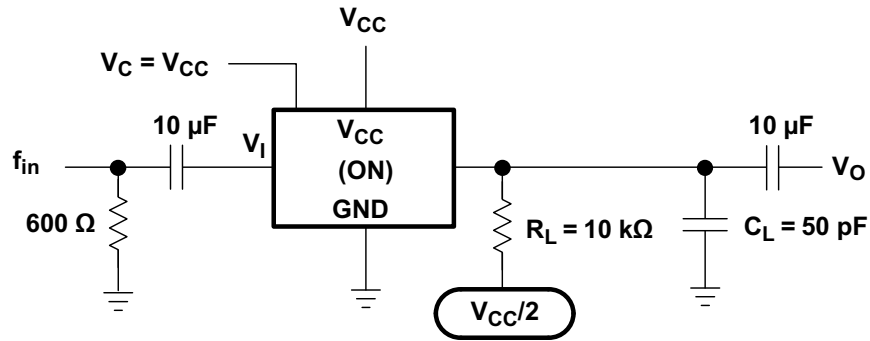


Figure 6-10. Sine-Wave Distortion

## 7 Detailed Description

### 7.1 Functional Block Diagram

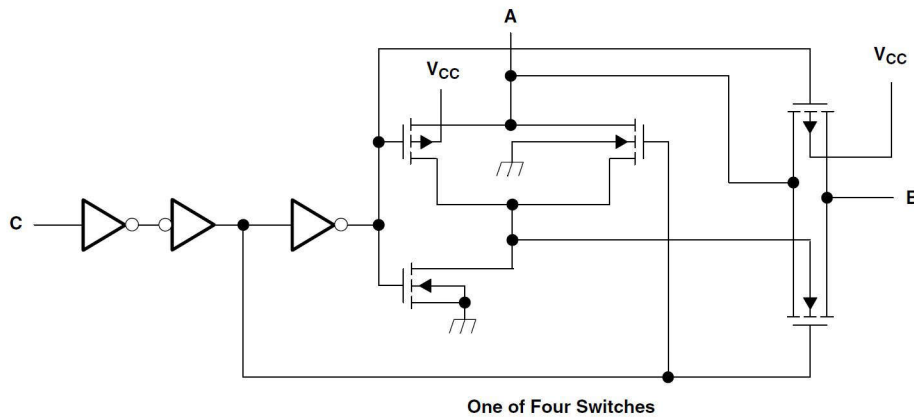


Figure 7-1. Logic Diagram (Positive Logic)

### 7.2 Device Functional Modes

Table 7-1. Function Table

Input Control (C)	Switch
L	OFF
H	ON

## 8 Device and Documentation Support

TI offers an extensive line of development tools. Tools and software to evaluate the performance of the device, generate code, and develop solutions are listed below.

### 8.1 Receiving Notification of Documentation Updates

To receive notification of documentation updates, navigate to the device product folder on [ti.com](http://ti.com). Click on *Notifications* to register and receive a weekly digest of any product information that has changed. For change details, review the revision history included in any revised document.

### 8.2 Support Resources

[TI E2E™ support forums](#) are an engineer's go-to source for fast, verified answers and design help — straight from the experts. Search existing answers or ask your own question to get the quick design help you need.

Linked content is provided "AS IS" by the respective contributors. They do not constitute TI specifications and do not necessarily reflect TI's views; see TI's [Terms of Use](#).

### 8.3 Trademarks

TI E2E™ is a trademark of Texas Instruments.  
All trademarks are the property of their respective owners.

### 8.4 Electrostatic Discharge Caution



This integrated circuit can be damaged by ESD. Texas Instruments recommends that all integrated circuits be handled with appropriate precautions. Failure to observe proper handling and installation procedures can cause damage.

ESD damage can range from subtle performance degradation to complete device failure. Precision integrated circuits may be more susceptible to damage because very small parametric changes could cause the device not to meet its published specifications.

### 8.5 Glossary

[TI Glossary](#) This glossary lists and explains terms, acronyms, and definitions.

## 9 Revision History

NOTE: Page numbers for previous revisions may differ from page numbers in the current version.

<b>Changes from Revision I (April 2006) to Revision J (February 2024)</b>	<b>Page</b>
• Updated the numbering format for tables, figures, and cross-references throughout the document.....	1
• Removed the SN54LV4066A information from the data sheet.....	1
• Increased $V_{CC}$ operation from: 2V to 5.5V to: 1.65V to 5.5V, and updated specifications such as $r_{ON}$ , $r_{ON(p)}$ $\Delta r_{ON}$ accordingly.....	1
• Changed RL value from: 600Ω to: 50Ω for frequency response, crosstalk, and feed-through attenuation, and their associated figures.....	10

## 10 Mechanical, Packaging, and Orderable Information

The following pages include mechanical, packaging, and orderable information. This information is the most current data available for the designated devices. This data is subject to change without notice and revision of this document. For browser-based versions of this data sheet, refer to the left-hand navigation.

**PACKAGING INFORMATION**

Orderable Device	Status (1)	Package Type	Package Drawing	Pins	Package Qty	Eco Plan (2)	Lead finish/ Ball material (6)	MSL Peak Temp (3)	Op Temp (°C)	Device Marking (4/5)	Samples
SN74LV4066AD	LIFEBUY	SOIC	D	14	50	RoHS & Green	NIPDAU	Level-1-260C-UNLIM	-40 to 85	LV4066A	
SN74LV4066ADBR	LIFEBUY	SSOP	DB	14	2000	RoHS & Green	NIPDAU	Level-1-260C-UNLIM	-40 to 85	LW066A	
SN74LV4066ADGVR	LIFEBUY	TVSOP	DGV	14	2000	RoHS & Green	NIPDAU	Level-1-260C-UNLIM	-40 to 85	LW066A	
SN74LV4066ADR	ACTIVE	SOIC	D	14	2500	RoHS & Green	NIPDAU	Level-1-260C-UNLIM	-40 to 85	LV4066A	Samples
SN74LV4066AN	LIFEBUY	PDIP	N	14	25	RoHS & Green	NIPDAU	N / A for Pkg Type	-40 to 85	SN74LV4066AN	
SN74LV4066ANSR	LIFEBUY	SO	NS	14	2000	RoHS & Green	NIPDAU	Level-1-260C-UNLIM	-40 to 85	74LV4066A	
SN74LV4066APW	LIFEBUY	TSSOP	PW	14	90	RoHS & Green	NIPDAU	Level-1-260C-UNLIM	-40 to 85	LW066A	
SN74LV4066APWR	ACTIVE	TSSOP	PW	14	2000	RoHS & Green	NIPDAU	Level-1-260C-UNLIM	-40 to 85	LW066A	Samples
SN74LV4066APWT	LIFEBUY	TSSOP	PW	14	250	RoHS & Green	NIPDAU	Level-1-260C-UNLIM	-40 to 85	LW066A	
SN74LV4066ARGYR	ACTIVE	VQFN	RGY	14	3000	RoHS & Green	NIPDAU	Level-2-260C-1 YEAR	-40 to 85	LW066A	Samples
SN74LV4066ARGYRG4	ACTIVE	VQFN	RGY	14	3000	RoHS & Green	NIPDAU	Level-2-260C-1 YEAR	-40 to 85	LW066A	Samples

(1) The marketing status values are defined as follows:

**ACTIVE:** Product device recommended for new designs.

**LIFEBUY:** TI has announced that the device will be discontinued, and a lifetime-buy period is in effect.

**NRND:** Not recommended for new designs. Device is in production to support existing customers, but TI does not recommend using this part in a new design.

**PREVIEW:** Device has been announced but is not in production. Samples may or may not be available.

**OBSOLETE:** TI has discontinued the production of the device.

(2) **RoHS:** TI defines "RoHS" to mean semiconductor products that are compliant with the current EU RoHS requirements for all 10 RoHS substances, including the requirement that RoHS substance do not exceed 0.1% by weight in homogeneous materials. Where designed to be soldered at high temperatures, "RoHS" products are suitable for use in specified lead-free processes. TI may reference these types of products as "Pb-Free".

**RoHS Exempt:** TI defines "RoHS Exempt" to mean products that contain lead but are compliant with EU RoHS pursuant to a specific EU RoHS exemption.

**Green:** TI defines "Green" to mean the content of Chlorine (Cl) and Bromine (Br) based flame retardants meet JS709B low halogen requirements of <=1000ppm threshold. Antimony trioxide based flame retardants must also meet the <=1000ppm threshold requirement.

(3) MSL, Peak Temp. - The Moisture Sensitivity Level rating according to the JEDEC industry standard classifications, and peak solder temperature.

(4) There may be additional marking, which relates to the logo, the lot trace code information, or the environmental category on the device.



<sup>(5)</sup> Multiple Device Markings will be inside parentheses. Only one Device Marking contained in parentheses and separated by a "~" will appear on a device. If a line is indented then it is a continuation of the previous line and the two combined represent the entire Device Marking for that device.

<sup>(6)</sup> Lead finish/Ball material - Orderable Devices may have multiple material finish options. Finish options are separated by a vertical ruled line. Lead finish/Ball material values may wrap to two lines if the finish value exceeds the maximum column width.

**Important Information and Disclaimer:**The information provided on this page represents TI's knowledge and belief as of the date that it is provided. TI bases its knowledge and belief on information provided by third parties, and makes no representation or warranty as to the accuracy of such information. Efforts are underway to better integrate information from third parties. TI has taken and continues to take reasonable steps to provide representative and accurate information but may not have conducted destructive testing or chemical analysis on incoming materials and chemicals. TI and TI suppliers consider certain information to be proprietary, and thus CAS numbers and other limited information may not be available for release.

In no event shall TI's liability arising out of such information exceed the total purchase price of the TI part(s) at issue in this document sold by TI to Customer on an annual basis.

**TAPE AND REEL INFORMATION**

**QUADRANT ASSIGNMENTS FOR PIN 1 ORIENTATION IN TAPE**


\*All dimensions are nominal

Device	Package Type	Package Drawing	Pins	SPQ	Reel Diameter (mm)	Reel Width W1 (mm)	A0 (mm)	B0 (mm)	K0 (mm)	P1 (mm)	W (mm)	Pin1 Quadrant
SN74LV4066ADBR	SSOP	DB	14	2000	330.0	16.4	8.35	6.6	2.4	12.0	16.0	Q1
SN74LV4066ADGVR	TVSOP	DGV	14	2000	330.0	12.4	6.8	4.0	1.6	8.0	12.0	Q1
SN74LV4066ADR	SOIC	D	14	2500	330.0	16.4	6.5	9.0	2.1	8.0	16.0	Q1
SN74LV4066ANSR	SO	NS	14	2000	330.0	16.4	8.2	10.5	2.5	12.0	16.0	Q1
SN74LV4066APWR	TSSOP	PW	14	2000	330.0	12.4	6.9	5.6	1.6	8.0	12.0	Q1
SN74LV4066APWT	TSSOP	PW	14	250	330.0	12.4	6.9	5.6	1.6	8.0	12.0	Q1
SN74LV4066ARGYR	VQFN	RGY	14	3000	330.0	12.4	3.75	3.75	1.15	8.0	12.0	Q1

**TAPE AND REEL BOX DIMENSIONS**


\*All dimensions are nominal

Device	Package Type	Package Drawing	Pins	SPQ	Length (mm)	Width (mm)	Height (mm)
SN74LV4066ADBR	SSOP	DB	14	2000	356.0	356.0	35.0
SN74LV4066ADGVR	TVSOP	DGV	14	2000	356.0	356.0	35.0
SN74LV4066ADR	SOIC	D	14	2500	356.0	356.0	35.0
SN74LV4066ANSR	SO	NS	14	2000	356.0	356.0	35.0
SN74LV4066APWR	TSSOP	PW	14	2000	356.0	356.0	35.0
SN74LV4066APWT	TSSOP	PW	14	250	356.0	356.0	35.0
SN74LV4066ARGYR	VQFN	RGY	14	3000	367.0	367.0	35.0

**TUBE**


\*All dimensions are nominal

Device	Package Name	Package Type	Pins	SPQ	L (mm)	W (mm)	T (μm)	B (mm)
SN74LV4066AD	D	SOIC	14	50	506.6	8	3940	4.32
SN74LV4066AN	N	PDIP	14	25	506	13.97	11230	4.32
SN74LV4066AN	N	PDIP	14	25	506	13.97	11230	4.32
SN74LV4066APW	PW	TSSOP	14	90	530	10.2	3600	3.5

RGY (S-PVQFN-N14)

PLASTIC QUAD FLATPACK NO-LEAD



4203539-2/1 06/2011

- NOTES:
- All linear dimensions are in millimeters. Dimensioning and tolerancing per ASME Y14.5M-1994.
  - This drawing is subject to change without notice.
  - QFN (Quad Flatpack No-Lead) package configuration.
  - The package thermal pad must be soldered to the board for thermal and mechanical performance.
  - See the additional figure in the Product Data Sheet for details regarding the exposed thermal pad features and dimensions.
  - Pin 1 identifiers are located on both top and bottom of the package and within the zone indicated. The Pin 1 identifiers are either a molded, marked, or metal feature.
  - Package complies to JEDEC MO-241 variation BA.

RGY (S-PVQFN-N14)

PLASTIC QUAD FLATPACK NO-LEAD

**THERMAL INFORMATION**

This package incorporates an exposed thermal pad that is designed to be attached directly to an external heatsink. The thermal pad must be soldered directly to the printed circuit board (PCB). After soldering, the PCB can be used as a heatsink. In addition, through the use of thermal vias, the thermal pad can be attached directly to the appropriate copper plane shown in the electrical schematic for the device, or alternatively, can be attached to a special heatsink structure designed into the PCB. This design optimizes the heat transfer from the integrated circuit (IC).

For information on the Quad Flatpack No-Lead (QFN) package and its advantages, refer to Application Report, QFN/SON PCB Attachment, Texas Instruments Literature No. SLUA271. This document is available at [www.ti.com](http://www.ti.com).

The exposed thermal pad dimensions for this package are shown in the following illustration.



Bottom View

Exposed Thermal Pad Dimensions

4206353-2/P 03/14

NOTE: All linear dimensions are in millimeters

RGY (S-PVQFN-N14)

PLASTIC QUAD FLATPACK NO-LEAD



4208122-2/P 03/14

- NOTES:
- All linear dimensions are in millimeters.
  - This drawing is subject to change without notice.
  - Publication IPC-7351 is recommended for alternate designs.
  - This package is designed to be soldered to a thermal pad on the board. Refer to Application Note, Quad Flat-Pack QFN/SON PCB Attachment, Texas Instruments Literature No. SLUA271, and also the Product Data Sheets for specific thermal information, via requirements, and recommended board layout. These documents are available at [www.ti.com](http://www.ti.com) <<http://www.ti.com>>.
  - Laser cutting apertures with trapezoidal walls and also rounding corners will offer better paste release. Customers should contact their board assembly site for stencil design recommendations. Refer to IPC 7525 for stencil design considerations.
  - Customers should contact their board fabrication site for minimum solder mask web tolerances between signal pads.

# MECHANICAL DATA

NS (R-PDSO-G\*\*)

PLASTIC SMALL-OUTLINE PACKAGE

14-PINS SHOWN



- NOTES:
- A. All linear dimensions are in millimeters.
  - B. This drawing is subject to change without notice.
  - C. Body dimensions do not include mold flash or protrusion, not to exceed 0,15.



DGV (R-PDSO-G\*\*)

PLASTIC SMALL-OUTLINE

24 PINS SHOWN



- NOTES: A. All linear dimensions are in millimeters.  
 B. This drawing is subject to change without notice.  
 C. Body dimensions do not include mold flash or protrusion, not to exceed 0,15 per side.  
 D. Falls within JEDEC: 24/48 Pins – MO-153  
 14/16/20/56 Pins – MO-194

D (R-PDSO-G14)

PLASTIC SMALL OUTLINE



4040047-5/M 06/11

- NOTES:
- A. All linear dimensions are in inches (millimeters).
  - B. This drawing is subject to change without notice.
  - $\triangle C$  Body length does not include mold flash, protrusions, or gate burrs. Mold flash, protrusions, or gate burrs shall not exceed 0.006 (0,15) each side.
  - $\triangle D$  Body width does not include interlead flash. Interlead flash shall not exceed 0.017 (0,43) each side.
  - E. Reference JEDEC MS-012 variation AB.

D (R-PDSO-G14)

PLASTIC SMALL OUTLINE



4211283-3/E 08/12

- NOTES:
- A. All linear dimensions are in millimeters.
  - B. This drawing is subject to change without notice.
  - C. Publication IPC-7351 is recommended for alternate designs.
  - D. Laser cutting apertures with trapezoidal walls and also rounding corners will offer better paste release. Customers should contact their board assembly site for stencil design recommendations. Refer to IPC-7525 for other stencil recommendations.
  - E. Customers should contact their board fabrication site for solder mask tolerances between and around signal pads.

PW (R-PDSO-G14)

PLASTIC SMALL OUTLINE



4040064-3/G 02/11

- NOTES:
- A. All linear dimensions are in millimeters. Dimensioning and tolerancing per ASME Y14.5M-1994.
  - B. This drawing is subject to change without notice.
  - C. Body length does not include mold flash, protrusions, or gate burrs. Mold flash, protrusions, or gate burrs shall not exceed 0,15 each side.
  - D. Body width does not include interlead flash. Interlead flash shall not exceed 0,25 each side.
  - E. Falls within JEDEC MO-153

PW (R-PDSO-G14)

PLASTIC SMALL OUTLINE



- NOTES:
- All linear dimensions are in millimeters.
  - This drawing is subject to change without notice.
  - Publication IPC-7351 is recommended for alternate designs.
  - Laser cutting apertures with trapezoidal walls and also rounding corners will offer better paste release. Customers should contact their board assembly site for stencil design recommendations. Refer to IPC-7525 for other stencil recommendations.
  - Customers should contact their board fabrication site for solder mask tolerances between and around signal pads.

N (R-PDIP-T\*\*)

PLASTIC DUAL-IN-LINE PACKAGE

16 PINS SHOWN



- NOTES:
- A. All linear dimensions are in inches (millimeters).
  - B. This drawing is subject to change without notice.
  - $\triangle C$  Falls within JEDEC MS-001, except 18 and 20 pin minimum body length (Dim A).
  - $\triangle D$  The 20 pin end lead shoulder width is a vendor option, either half or full width.

4040049/E 12/2002

DB (R-PDSO-G\*\*)

PLASTIC SMALL-OUTLINE

28 PINS SHOWN



- NOTES: A. All linear dimensions are in millimeters.  
 B. This drawing is subject to change without notice.  
 C. Body dimensions do not include mold flash or protrusion not to exceed 0,15.  
 D. Falls within JEDEC MO-150

## IMPORTANT NOTICE AND DISCLAIMER

TI PROVIDES TECHNICAL AND RELIABILITY DATA (INCLUDING DATA SHEETS), DESIGN RESOURCES (INCLUDING REFERENCE DESIGNS), APPLICATION OR OTHER DESIGN ADVICE, WEB TOOLS, SAFETY INFORMATION, AND OTHER RESOURCES "AS IS" AND WITH ALL FAULTS, AND DISCLAIMS ALL WARRANTIES, EXPRESS AND IMPLIED, INCLUDING WITHOUT LIMITATION ANY IMPLIED WARRANTIES OF MERCHANTABILITY, FITNESS FOR A PARTICULAR PURPOSE OR NON-INFRINGEMENT OF THIRD PARTY INTELLECTUAL PROPERTY RIGHTS.

These resources are intended for skilled developers designing with TI products. You are solely responsible for (1) selecting the appropriate TI products for your application, (2) designing, validating and testing your application, and (3) ensuring your application meets applicable standards, and any other safety, security, regulatory or other requirements.

These resources are subject to change without notice. TI grants you permission to use these resources only for development of an application that uses the TI products described in the resource. Other reproduction and display of these resources is prohibited. No license is granted to any other TI intellectual property right or to any third party intellectual property right. TI disclaims responsibility for, and you will fully indemnify TI and its representatives against, any claims, damages, costs, losses, and liabilities arising out of your use of these resources.

TI's products are provided subject to [TI's Terms of Sale](#) or other applicable terms available either on [ti.com](https://www.ti.com) or provided in conjunction with such TI products. TI's provision of these resources does not expand or otherwise alter TI's applicable warranties or warranty disclaimers for TI products.

TI objects to and rejects any additional or different terms you may have proposed.

Mailing Address: Texas Instruments, Post Office Box 655303, Dallas, Texas 75265  
Copyright © 2024, Texas Instruments Incorporated