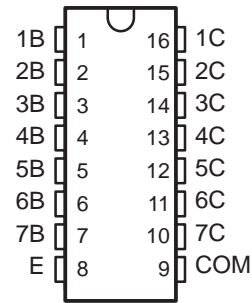


HIGH-VOLTAGE HIGH-CURRENT DARLINGTON TRANSISTOR ARRAYS

- 500-mA Rated Collector Current (Single Output)
- High-Voltage Outputs . . . 100 V
- Output Clamp Diodes
- Inputs Compatible With Various Types of Logic
- Relay Driver Applications
- Higher-Voltage Versions of ULN2003A and ULN2004A, for Commercial Temperature Range

D OR N PACKAGE  
(TOP VIEW)

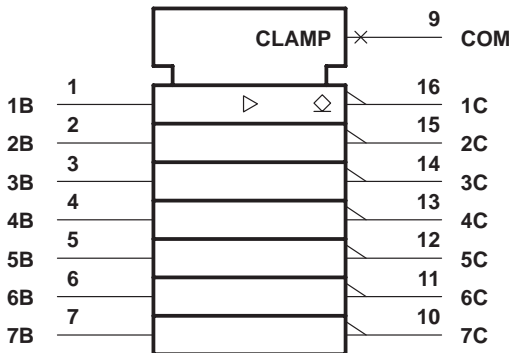


description

The SN75468 and SN75469 are monolithic high-voltage, high-current Darlington transistor arrays. Each consists of seven npn Darlington pairs that feature high-voltage outputs with common-cathode clamp diodes for switching inductive loads. The collector-current rating of each Darlington pair is 500 mA. The Darlington pairs may be paralleled for higher current capability. Applications include relay drivers, hammer drivers, lamp drivers, display drivers (LED and gas discharge), line drivers, and logic buffers.

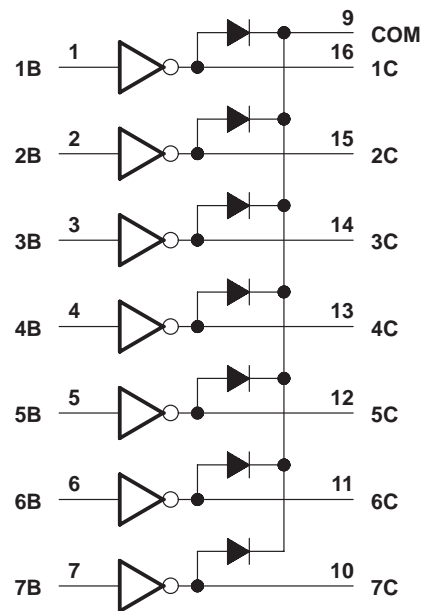
The SN75468 has a 2700-Ω series base resistor for each Darlington pair for operation directly with TTL or 5-V CMOS. The SN75469 has a 10.5-kΩ series base resistor to allow its operation directly with CMOS or PMOS that use supply voltages of 6 to 15 V. The required input current is below that of the SN75468.

logic symbol†



† This symbol is in accordance with ANSI/IEEE Std91-1984 and IEC publication 617-12.

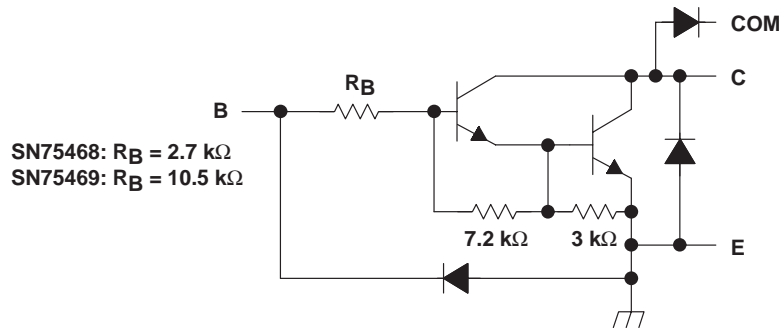
logic diagram



# SN75468, SN75469 DARLINGTON TRANSISTOR ARRAYS

SLRS023B – DECEMBER 1976 – REVISED SEPTEMBER 1995

## schematic (each Darlington pair)



All resistor values shown are nominal.

## absolute maximum ratings at 25°C free-air temperature (unless otherwise noted)

Collector-emitter voltage, $V_{CE}$	100 V
Input voltage, $V_I$ (see Note 1)	30 V
Peak collector current (see Figures 14 and 15)	500 mA
Output clamp current, $I_{OK}$	500 mA
Total emitter-terminal current	-2.5 A
Continuous total power dissipation	See Dissipation Rating Table
Operating free-air temperature range, $T_A$	0°C to 70°C
Storage temperature range, $T_{stg}$	-65°C to 150°C
Lead temperature 1,6 mm (1/16 inch) from case for 10 seconds	260°C

NOTE 1: All voltage values are with respect to the emitter/substrate terminal E, unless otherwise noted.

DISSIPATION RATING TABLE

PACKAGE	$T_A \leq 25^\circ\text{C}$ POWER RATING	DERATING FACTOR ABOVE $T_A = 25^\circ\text{C}$	$T_A = 70^\circ\text{C}$ POWER RATING
D	950 mW	7.6 mW/°C	608 mW
N	1150 mW	9.2 mW/°C	736 mW

electrical characteristics,  $T_A = 25^\circ\text{C}$  (unless otherwise noted)

PARAMETER	TEST FIGURE	TEST CONDITIONS		SN75468			SN75469			UNIT
				MIN	TYP	MAX	MIN	TYP	MAX	
$V_{I(\text{on})}$ On-state input voltage	5	$V_{CE} = 2\text{ V}$	$I_C = 125\text{ mA}$						5	V
			$I_C = 200\text{ mA}$			2.4			6	
			$I_C = 250\text{ mA}$			2.7				
			$I_C = 275\text{ mA}$						7	
			$I_C = 300\text{ mA}$			3				
			$I_C = 350\text{ mA}$						8	
$V_{CE(\text{sat})}$ Collector-emitter saturation voltage	6	$I_I = 250\text{ }\mu\text{A}$ , $I_C = 100\text{ mA}$	0.9	1.1		0.9	1.1		V	
		$I_I = 350\text{ }\mu\text{A}$ , $I_C = 200\text{ mA}$	1	1.3		1	1.3			
		$I_I = 500\text{ }\mu\text{A}$ , $I_C = 350\text{ mA}$	1.2	1.6		1.2	1.6			
$V_F$ Clamp-diode forward voltage	8	$I_F = 350\text{ mA}$	1.7	2		1.7	2	V		
$I_{CEX}$ Collector cutoff current	1	$V_{CE} = 100\text{ V}$ , $I_I = 0$			50			50	$\mu\text{A}$	
	2	$V_{CE} = 100\text{ V}$ , $T_A = 70^\circ\text{C}$ , $V_I = 1\text{ V}$			100			100		
$I_{I(\text{off})}$ Off-state input current	3	$V_{CE} = 50\text{ V}$ , $T_A = 70^\circ\text{C}$ , $I_C = 500\text{ }\mu\text{A}$	50	65		50	65	$\mu\text{A}$		
$I_I$ Input current	4	$V_I = 3.85\text{ V}$	0.93	1.35					mA	
		$V_I = 5\text{ V}$				0.35	0.5			
		$V_I = 12\text{ V}$				1	1.45			
$I_R$ Clamp-diode reverse current	7	$V_R = 100\text{ V}$			50			50	$\mu\text{A}$	
		$V_R = 100\text{ V}$ , $T_A = 70^\circ\text{C}$			100			100		
$C_i$ Input capacitance		$V_I = 0$ , $f = 1\text{ MHz}$	15	25		15	25	pF		

switching characteristics,  $T_A = 25^\circ\text{C}$  free-air temperature

PARAMETER	TEST CONDITIONS	MIN	TYP	MAX	UNIT
$t_{PLH}$ Propagation delay time, low-to-high-level output	$V_S = 50\text{ V}$ , $R_L = 163\text{ }\Omega$ , $C_L = 15\text{ pF}$ , See Figure 9		0.25	1	$\mu\text{s}$
$t_{PHL}$ Propagation delay time, high-to-low-level output			0.25	1	$\mu\text{s}$
$V_{OH}$ High-level output voltage after switching	$V_S = 50\text{ V}$ , $I_O \approx 300\text{ mA}$ , See Figure 10	$V_S - 20$			mV

# SN75468, SN75469 DARLINGTON TRANSISTOR ARRAYS

SLRS023B – DECEMBER 1976 – REVISED SEPTEMBER 1995

## PARAMETER MEASUREMENT INFORMATION

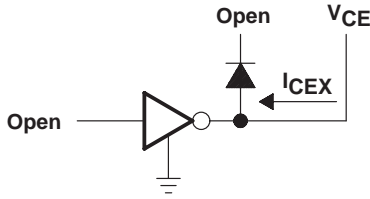


Figure 1.  $I_{C EX}$

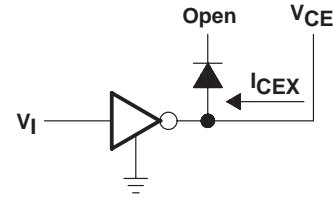


Figure 2.  $I_{C EX}$

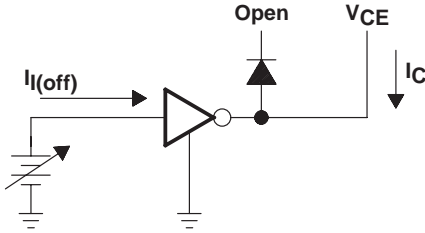


Figure 3.  $I_{I(off)}$

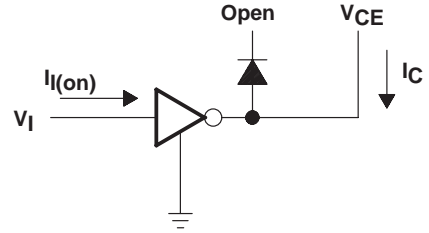


Figure 4.  $I_I$

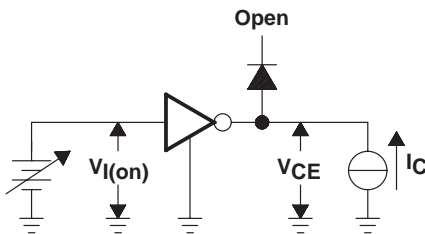
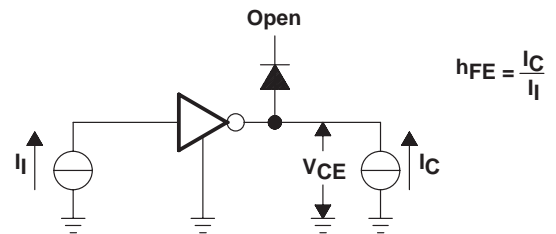


Figure 5.  $V_{I(on)}$



NOTE:  $I_I$  is fixed for measuring  $V_{CE(sat)}$ , variable for measuring  $h_{FE}$ .

Figure 6.  $h_{FE}$ ,  $V_{CE(sat)}$

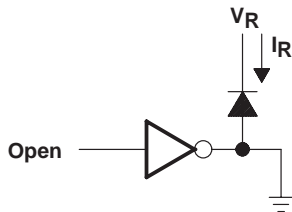


Figure 7.  $I_R$

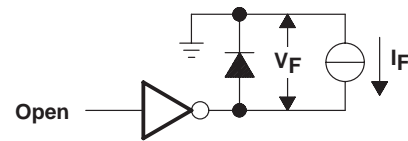


Figure 8.  $V_F$

PARAMETER MEASUREMENT INFORMATION

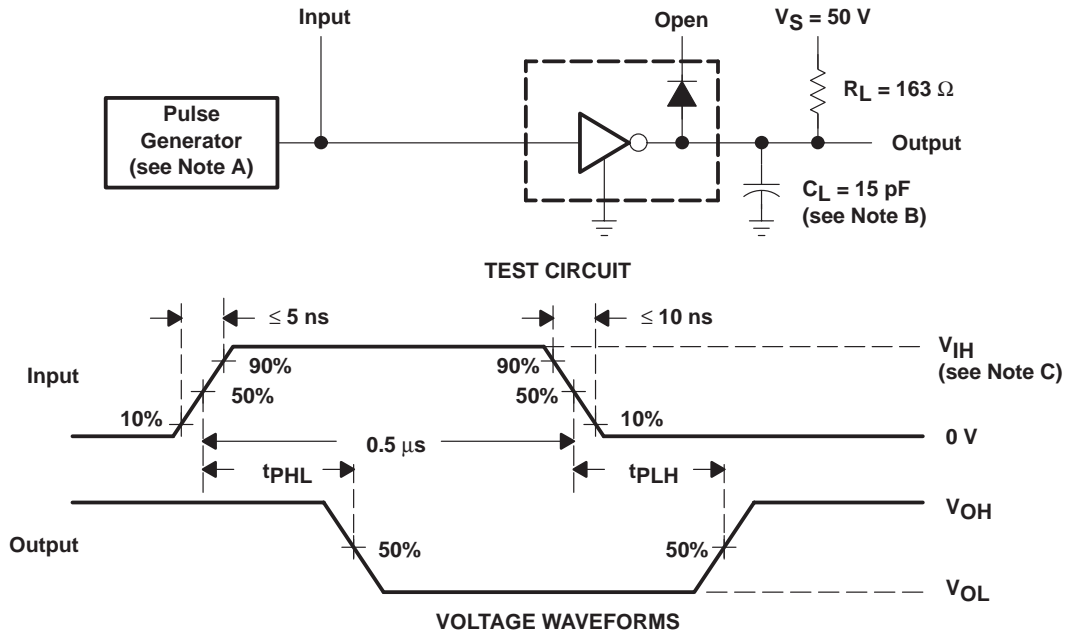


Figure 9. Test Circuit and Voltage Waveforms

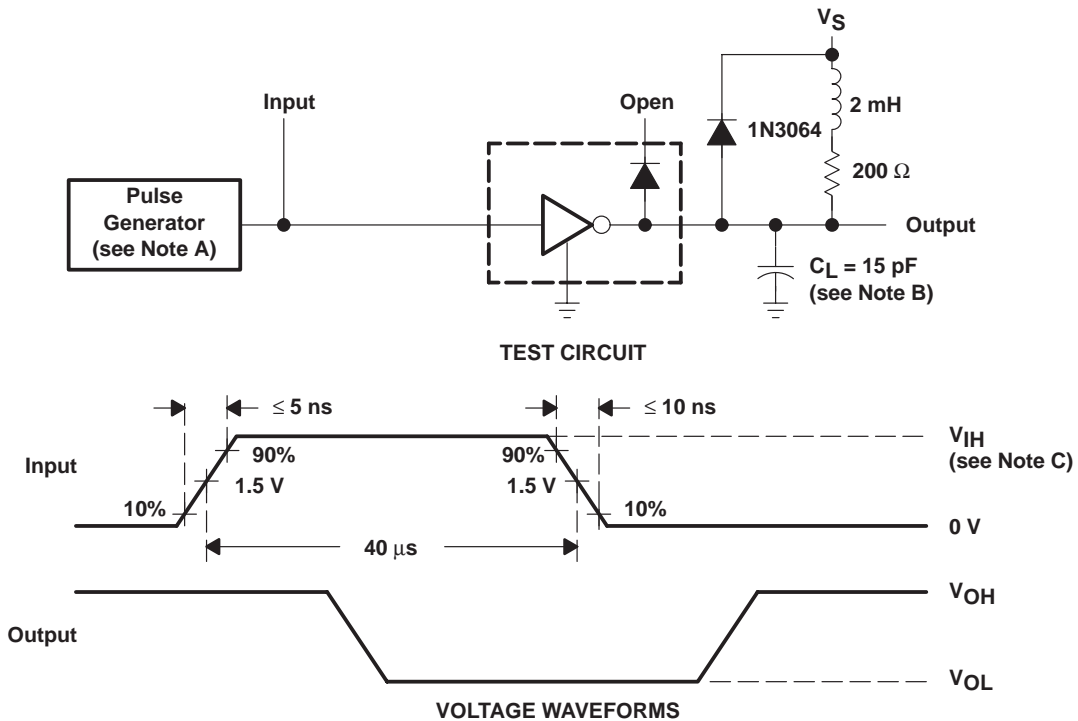


Figure 10. Latch-Up Test Circuit and Voltage Waveforms

- NOTES: A. The pulse generator has the following characteristics: PRR = 12.5 kHz,  $Z_O = 50\ \Omega$ .  
 B.  $C_L$  includes probe and jig capacitance.  
 C. For testing the '468,  $V_{IH} = 3\text{ V}$ ; for the '469,  $V_{IH} = 8\text{ V}$ .

# SN75468, SN75469 DARLINGTON TRANSISTOR ARRAYS

SLRS023B – DECEMBER 1976 – REVISED SEPTEMBER 1995

## TYPICAL CHARACTERISTICS

COLLECTOR-EMITTER  
SATURATION VOLTAGE  
vs  
COLLECTOR CURRENT  
(ONE DARLINGTON)

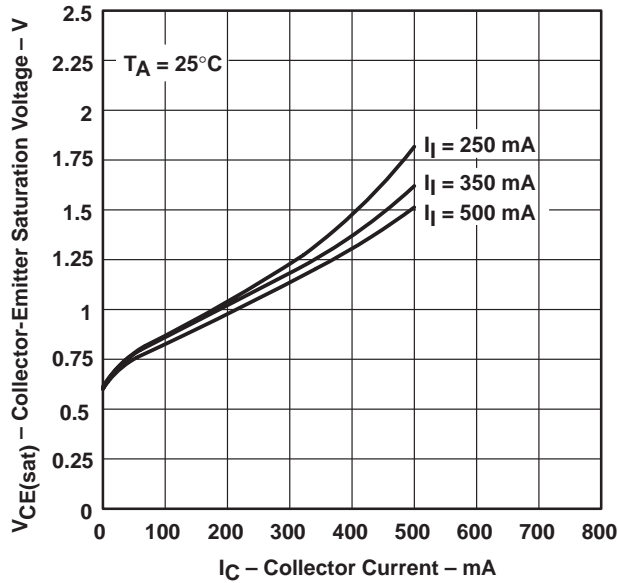


Figure 11

COLLECTOR-EMITTER  
SATURATION VOLTAGE  
vs  
COLLECTOR CURRENT  
(TWO DARLINGTONS PARALLELED)

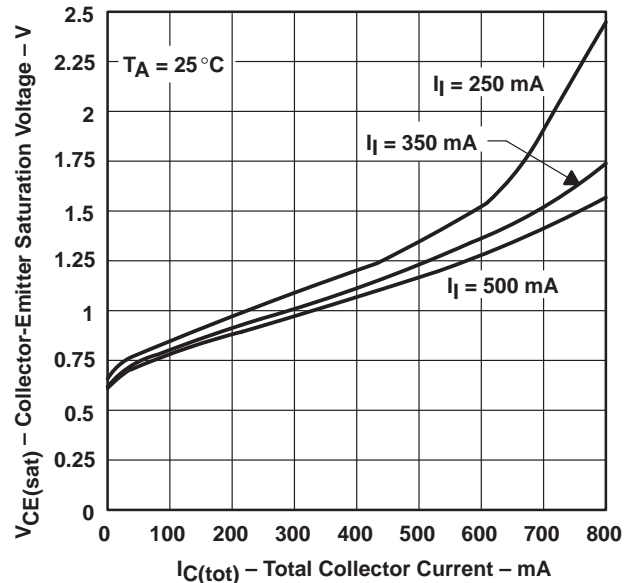


Figure 12

COLLECTOR CURRENT  
vs  
INPUT CURRENT

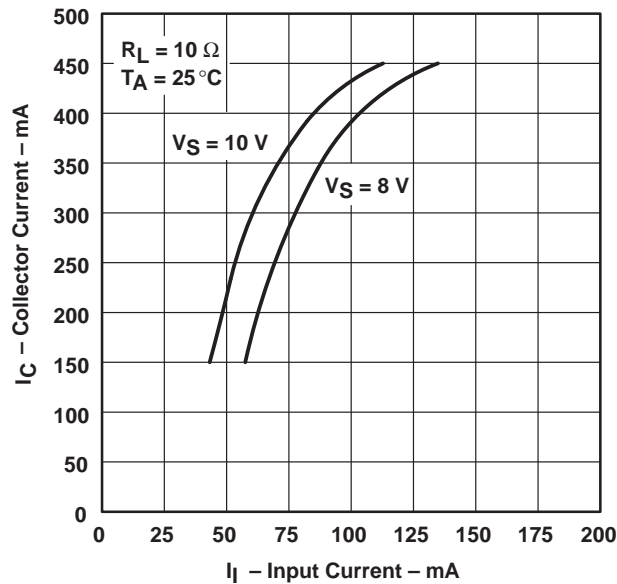


Figure 13

THERMAL INFORMATION

D PACKAGE  
 MAXIMUM COLLECTOR CURRENT  
 VS  
 DUTY CYCLE

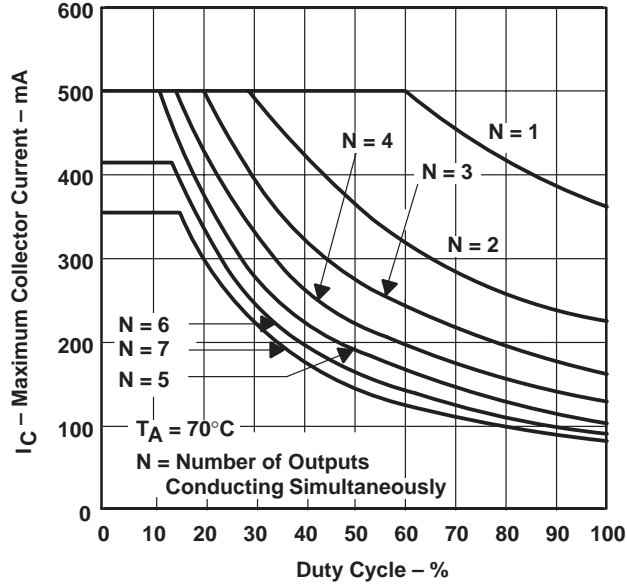


Figure 14

N PACKAGE  
 MAXIMUM COLLECTOR CURRENT  
 VS  
 DUTY CYCLE

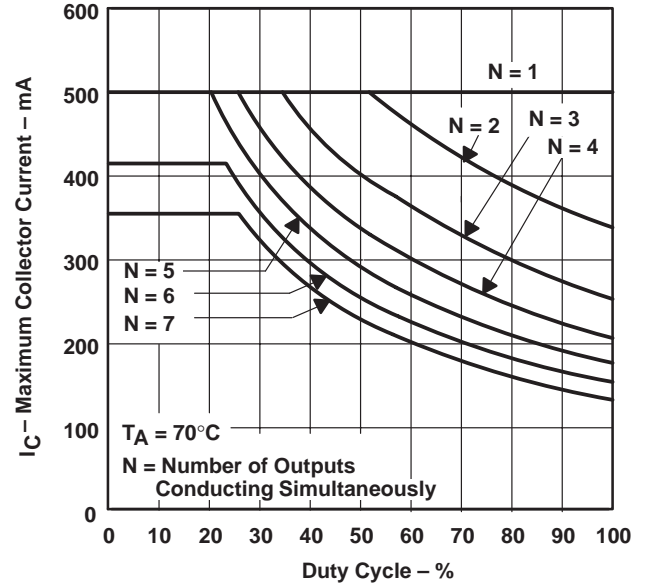


Figure 15

# SN75468, SN75469 DARLINGTON TRANSISTOR ARRAYS

SLRS023B – DECEMBER 1976 – REVISED SEPTEMBER 1995

## APPLICATION INFORMATION

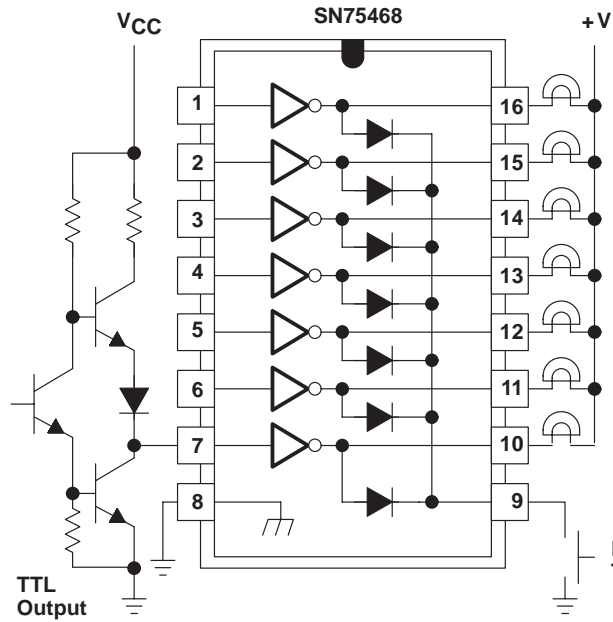


Figure 16. TTL to Load

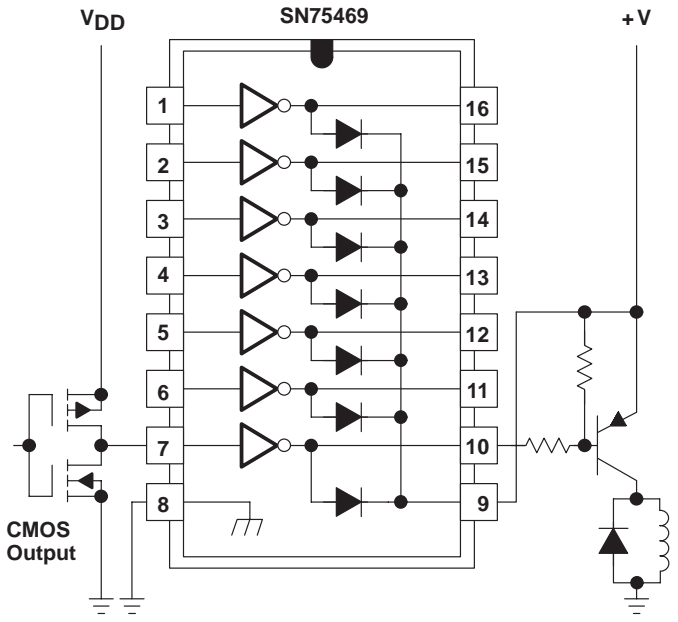


Figure 17. Buffer for Higher Current Loads

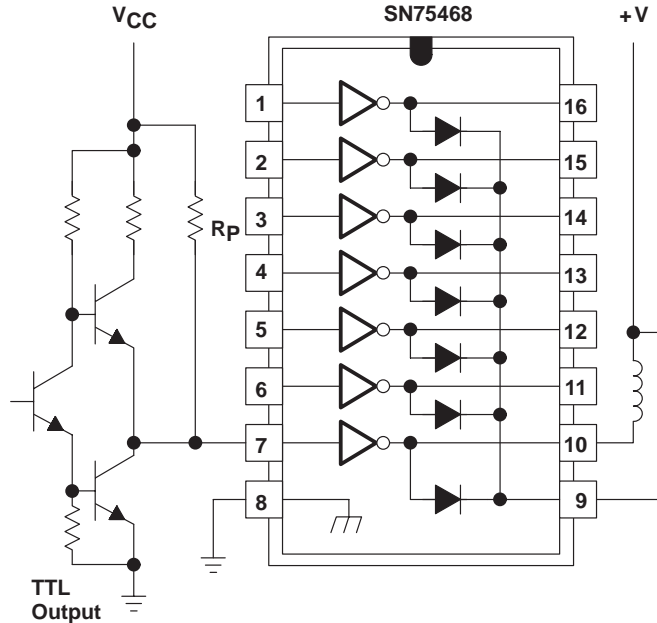


Figure 18. Use of Pullup Resistors to Increase Drive Current



## IMPORTANT NOTICE

Texas Instruments and its subsidiaries (TI) reserve the right to make changes to their products or to discontinue any product or service without notice, and advise customers to obtain the latest version of relevant information to verify, before placing orders, that information being relied on is current and complete. All products are sold subject to the terms and conditions of sale supplied at the time of order acknowledgement, including those pertaining to warranty, patent infringement, and limitation of liability.

TI warrants performance of its semiconductor products to the specifications applicable at the time of sale in accordance with TI's standard warranty. Testing and other quality control techniques are utilized to the extent TI deems necessary to support this warranty. Specific testing of all parameters of each device is not necessarily performed, except those mandated by government requirements.

CERTAIN APPLICATIONS USING SEMICONDUCTOR PRODUCTS MAY INVOLVE POTENTIAL RISKS OF DEATH, PERSONAL INJURY, OR SEVERE PROPERTY OR ENVIRONMENTAL DAMAGE ("CRITICAL APPLICATIONS"). TI SEMICONDUCTOR PRODUCTS ARE NOT DESIGNED, AUTHORIZED, OR WARRANTED TO BE SUITABLE FOR USE IN LIFE-SUPPORT DEVICES OR SYSTEMS OR OTHER CRITICAL APPLICATIONS. INCLUSION OF TI PRODUCTS IN SUCH APPLICATIONS IS UNDERSTOOD TO BE FULLY AT THE CUSTOMER'S RISK.

In order to minimize risks associated with the customer's applications, adequate design and operating safeguards must be provided by the customer to minimize inherent or procedural hazards.

TI assumes no liability for applications assistance or customer product design. TI does not warrant or represent that any license, either express or implied, is granted under any patent right, copyright, mask work right, or other intellectual property right of TI covering or relating to any combination, machine, or process in which such semiconductor products or services might be or are used. TI's publication of information regarding any third party's products or services does not constitute TI's approval, warranty or endorsement thereof.