

# **SN8P1700 Series**

## **USER'S MANUAL**

### General Release Specification

**SN8P1702**

**SN8P1704**

**SN8P1706**

**SN8P1707**

**SN8P1708**

## **SONiX 8-Bit Micro-Controller**

SONiX reserves the right to make change without further notice to any products herein to improve reliability, function or design. SONiX does not assume any liability arising out of the application or use of any product or circuit described herein; neither does it convey any license under its patent rights nor the rights of others. SONiX products are not designed, intended, or authorized for use as components in systems intended, for surgical implant into the body, or other applications intended to support or sustain life, or for any other application in which the failure of the SONiX product could create a situation where personal injury or death may occur. Should Buyer purchase or use SONiX products for any such unintended or unauthorized application. Buyer shall indemnify and hold SONiX and its officers, employees, subsidiaries, affiliates and distributors harmless against all claims, cost, damages, and expenses, and reasonable attorney fees arising out of, directly or indirectly, any claim of personal injury or death associated with such unintended or unauthorized use even if such claim alleges that SONiX was negligent regarding the design or manufacture of the part.

### AMENDMENT HISTORY

Version	Date	Description
VER 1.90	Sep. 2002	V1.90 first issue
VER 1.93	Feb. 2003	<ol style="list-style-type: none"> <li>1. Extend chip operating temperature from "0°C ~ +70°C" to "-20°C ~ +70°C".</li> <li>2. Change the description of ADD M,A instruction from "M ← M+A" to "M ← A+M"</li> <li>3. Add ADC grade table.</li> <li>4. Remove "Support hardware multiplier (MUL)" in SN8P1702 FEATURES section.</li> <li>5. Change "Four internal interrupts" to "Three internal interrupts" in SN8P1704 FEATURES section.</li> <li>6. Change "ACC can't be access by "B0MOV" instruction" to "ACC can't be access by "B0MOV" instruction during the instant addressing mode".</li> <li>7. Correct the description of STKnH.</li> <li>8. Change "special register is located at 08h~FFh" to "special register is located at 80h~FFh".</li> <li>9. Correct the bit definition of INTEN register.</li> <li>10. Correct the description of "TC0 CLOCK FREQUENCY OUTPUT" section.</li> <li>11. Correct the description of "TC1 CLOCK FREQUENCY OUTPUT" section.</li> <li>12. SCKMD = 1 means SIO is in SLAVE mode. SCKMD = 0 means SIO is in MASTER mode.</li> <li>13. Remove "SIO clock and SPI clock are compatible".</li> <li>14. Modify ADB's output data table.</li> <li>15. Correct an error of template code: "b0bclr FWDRST" → "b0bset FWDRST".</li> <li>16. Add a notice about OSCM register access cycle.</li> <li>17. SN8P1702/SN8A1702A don't provide "MUL, PUSH, POP" instruction.</li> <li>18. Add a notice about OSCM register access cycle.</li> </ol>
VER 1.94	Sep. 2003	<ol style="list-style-type: none"> <li>1. Correct EOC description.</li> <li>2. Correct watchdog timer overflow time.</li> <li>3. Correct POP operand.</li> <li>4. Correct ADCKS table.</li> <li>5. Add new section about checksum calculate must avoid 04H~07H.</li> <li>6. Reserved Last 16 word ROM addresses</li> <li>7. Add SIOM table and SIO rate note</li> <li>8. Remove register bit description</li> <li>9. Modify TC0M description</li> <li>10. Modify TC1M description</li> <li>11. Modify PWM description</li> <li>12. Modify ADC Frequency description</li> <li>13. Change Code option table to Chapter 2</li> <li>14. Add ADC current consumption</li> </ol>

		<ul style="list-style-type: none"><li>15. Add LVD detect voltage</li><li>16. Remove approval sheet.</li><li>17. Remove PCB layout notice section.</li><li>18. Add MASK/OTP relative table.</li><li>19. Modify the description of INTRQ register.</li><li>20. Modify the calculation formula of SIOR and SIO clock.</li></ul>
--	--	--

# Table of Contents

AMENDMENT HISTORY .....	2
<b>1</b> <b>PRODUCT OVERVIEW .....</b>	<b>11</b>
GENERAL DESCRIPTION .....	11
FEATURES SELECTION TABLE .....	11
MASK/OTP RELATIVE TABLE .....	11
ADC GRADE TABLE .....	11
SN8P1702 FEATURES .....	12
SN8P1704 FEATURES .....	13
SN8P1707/SN8P1708 FEATURES .....	15
SYSTEM BLOCK DIAGRAM .....	16
PIN ASSIGNMENT .....	17
PIN DESCRIPTIONS .....	22
PIN CIRCUIT DIAGRAMS .....	22
<b>2</b> <b>CODE OPTION TABLE .....</b>	<b>23</b>
<b>3</b> <b>ADDRESS SPACES .....</b>	<b>24</b>
PROGRAM MEMORY (ROM) .....	24
OVERVIEW .....	24
USER RESET VECTOR ADDRESS (0000H) .....	26
INTERRUPT VECTOR ADDRESS (0008H) .....	26
CHECKSUM CALCULATION .....	28
GENERAL PURPOSE PROGRAM MEMORY AREA .....	29
LOOKUP TABLE DESCRIPTION .....	29
JUMP TABLE DESCRIPTION .....	31
DATA MEMORY (RAM) .....	33
OVERVIEW .....	33

RAM BANK SELECTION .....	35
WORKING REGISTERS.....	36
H, L REGISTERS.....	36
Y, Z REGISTERS.....	37
X REGISTERS .....	38
R REGISTERS .....	38
PROGRAM FLAG .....	39
CARRY FLAG .....	39
DECIMAL CARRY FLAG.....	39
ZERO FLAG .....	39
ACCUMULATOR .....	40
STACK OPERATIONS.....	41
OVERVIEW.....	41
STACK REGISTERS.....	42
STACK OPERATION EXAMPLE.....	43
PROGRAM COUNTER.....	44
ONE ADDRESS SKIPPING .....	45
MULTI-ADDRESS JUMPING .....	46
<b>4 ADDRESSING MODE.....</b>	<b>47</b>
OVERVIEW.....	47
IMMEDIATE ADDRESSING MODE .....	47
DIRECTLY ADDRESSING MODE .....	47
INDIRECTLY ADDRESSING MODE.....	47
TO ACCESS DATA in RAM BANK 0.....	48
TO ACCESS DATA in RAM BANK 1 .....	48
<b>5 SYSTEM REGISTER .....</b>	<b>49</b>
OVERVIEW.....	49
SYSTEM REGISTER ARRANGEMENT (BANK 0) .....	49
BYTES of SYSTEM REGISTER.....	49
BITS of SYSTEM REGISTER .....	51

<b>6</b>	<b>POWER ON RESET .....</b>	<b>55</b>
	OVERVIEW.....	55
	EXTERNAL RESET DESCRIPTION.....	56
	LOW VOLTAGE DETECTOR (LVD) DESCRIPTION.....	57
<b>7</b>	<b>OSCILLATORS.....</b>	<b>58</b>
	OVERVIEW.....	58
	<i>CLOCK BLOCK DIAGRAM</i> .....	58
	<i>OSCM REGISTER DESCRIPTION</i> .....	59
	<i>EXTERNAL HIGH-SPEED OSCILLATOR</i> .....	60
	<i>OSCILLATOR MODE CODE OPTION</i> .....	60
	<i>OSCILLATOR DEVIDE BY 2 CODE OPTION</i> .....	60
	<i>OSCILLATOR SAFE GUARD CODE OPTION</i> .....	60
	<i>SYSTEM OSCILLATOR CIRCUITS</i> .....	61
	<i>External RC Oscillator Frequency Measurement</i> .....	62
	INTERNAL LOW-SPEED OSCILLATOR .....	63
	SYSTEM MODE DESCRIPTION .....	64
	OVERVIEW.....	64
	NORMAL MODE .....	64
	SLOW MODE.....	64
	POWER DOWN MODE.....	64
	SYSTEM MODE CONTROL.....	65
	<i>SN8P1700 SYSTEM MODE BLOCK DIAGRAM</i> .....	65
	SYSTEM MODE SWITCHING .....	66
	WAKEUP TIME.....	67
	OVERVIEW.....	67
	HARDWARE WAKEUP.....	67
<b>8</b>	<b>TIMERS COUNTERS.....</b>	<b>68</b>
	WATCHDOG TIMER (WDT) .....	68
	BASIC TIMER 0 (T0) .....	69

OVERVIEW.....	69
T0M REGISTER DESCRIPTION .....	69
T0C COUNTING REGISTER.....	70
T0 BASIC TIMER OPERATION SEQUENCE.....	71
TIMER COUNTER 0 (TC0).....	72
OVERVIEW.....	72
TC0M MODE REGISTER.....	73
TC0C COUNTING REGISTER.....	74
TC0R AUTO-LOAD REGISTER.....	75
TC0 TIMER COUNTER OPERATION SEQUENCE.....	76
TC0 CLOCK FREQUENCY OUTPUT (BUZZER).....	78
TC0OUT FREQUENCY TABLE.....	79
TIMER COUNTER 1 (TC1).....	81
OVERVIEW.....	81
TC1M MODE REGISTER.....	82
TC1C COUNTING REGISTER.....	83
TC1R AUTO-LOAD REGISTER.....	84
TC1 TIMER COUNTER OPERATION SEQUENCE.....	85
TC1 CLOCK FREQUENCY OUTPUT (BUZZER).....	87
PWM FUNCTION DESCRIPTION .....	88
OVERVIEW.....	88
PWM PROGRAM DESCRIPTION.....	89

## 9 INTERRUPT..... 90

OVERVIEW.....	90
INTEN INTERRUPT ENABLE REGISTER .....	91
INTRQ INTERRUPT REQUEST REGISTER.....	91
INTERRUPT OPERATION DESCRIPTION .....	92
GIE GLOBAL INTERRUPT OPERATION .....	92
INT0 (P0.0) INTERRUPT OPERATION .....	93
INT1 (P0.1) INTERRUPT OPERATION .....	93
INT2 (P0.2) INTERRUPT OPERATION .....	94
T0 INTERRUPT OPERATION.....	95
TC0 INTERRUPT OPERATION .....	96
TC1 INTERRUPT OPERATION .....	97
SIO INTERRUPT OPERATION.....	98
MULTI-INTERRUPT OPERATION.....	99

<b>10</b>	<b>SERIAL INPUT/OUTPUT TRANSCEIVER (SIO).....</b>	<b>101</b>
	OVERVIEW.....	101
	SIOM MODE REGISTER.....	102
	SIOB DATA BUFFER.....	103
	SIOR REGISTER DESCRIPTION .....	103
	SIO MASTER OPERATING DESCRIPTION .....	104
	<i>RISING EDGE TRANSMITTER/RECEIVER MODE</i> .....	104
	<i>FALLING EDGE TRANSMITTER/RECEIVER MODE</i> .....	105
	<i>RISING EDGE RECEIVER MODE</i> .....	106
	<i>FALLING EDGE RECEIVER MODE</i> .....	107
	SIO SLAVE OPERATING DESCRIPTION.....	108
	<i>RISING EDGE TRANSMITTER/RECEIVER MODE</i> .....	109
	<i>FALLING EDGE TRANSMITTER/RECEIVER MODE</i> .....	110
	<i>RISING EDGE RECEIVER MODE</i> .....	111
	<i>FALLING EDGE RECEIVER MODE</i> .....	112
	SIO INTERRUPT OPERATION DESCRIPTION.....	113
<b>11</b>	<b>I/O PORT.....</b>	<b>114</b>
	OVERVIEW.....	114
	I/O PORT FUNCTION TABLE .....	115
	PULL-UP RESISTERS.....	116
	I/O PORT DATA REGISTER .....	119
<b>12</b>	<b>8-CHANNEL ANALOG TO DIGITAL CONVERTER.....</b>	<b>121</b>
	OVERVIEW.....	121
	ADM REGISTER.....	122
	ADR REGISTERS.....	122
	ADB REGISTERS.....	122
	ADC CONVERTING TIME .....	124
	ADC CIRCUIT.....	125



<b>13</b>	<b>7-BIT DIGITAL TO ANALOG CONVERTER .....</b>	<b>126</b>
	OVERVIEW.....	126
	DAM REGISTER.....	126
	D/A CONVERTER OPERATION .....	127
<b>14</b>	<b>CODING ISSUE .....</b>	<b>128</b>
	TEMPLATE CODE.....	128
	CHIP DECLARATION IN ASSEMBLER.....	133
	PROGRAM CHECK LIST .....	133
<b>15</b>	<b>INSTRUCTION SET TABLE .....</b>	<b>134</b>
<b>16</b>	<b>ELECTRICAL CHARACTERISTIC .....</b>	<b>135</b>
	ABSOLUTE MAXIMUM RATING .....	135
	STANDARD ELECTRICAL CHARACTERISTIC .....	135
	<i>SN8P1700 Series (OTP)</i> .....	135
<b>17</b>	<b>PACKAGE INFORMATION .....</b>	<b>136</b>
	P-DIP18 PIN .....	136
	SOP18 PIN .....	137
	SSOP20 PIN .....	138
	S-DIP28 PIN .....	139
	SOP28 PIN .....	140
	QFP 44 PIN.....	141
	SSOP 48 PIN .....	142

P-DIP 48 PIN .....	143
P-DIP 40 PIN .....	144

# 1 PRODUCT OVERVIEW

## GENERAL DESCRIPTION

The SN8P1700 is a series of 8-bit micro-controller including SN8P1702, SN8P1704, SN8P1706, SN8P1707 and SN8P1708. This series is utilized with CMOS technology fabrication and featured with low power consumption and high performance by its unique electronic structure.

These chips are designed with the excellent IC structure including the large program memory OTP ROM, the massive data memory RAM, one 8-bit basic timer (T0), two 8-bit timer counters (TC0, TC1), a watchdog timer, up to seven interrupt sources (T0, TC0, TC1, SIO, INT0, INT1, INT2), a 7-bit DAC converter, an 8-channel ADC converter with 8-bit/12-bit resolution, two channel PWM output (PWM0, PWM1), two channel buzzer output (BZ0, BZ1) and 8-level stack buffers. Besides, the user can choose desired oscillator configurations for the controller. There are four oscillator configurations to select for generating system clock, including High/Low Speed crystal, ceramic resonator or cost-saving RC. SN8P1700 series also includes an internal RC oscillator for slow mode controlled by programming.

## FEATURES SELECTION TABLE

CHIP	ROM	RAM	Stack	Timer			I/O	ADC	DAC	PWM	SIO	Wakeup	Package
				T0	TC0	TC1				Buzzer		Pin no.	
SN8P1702	1K*16	64	8	-	V	-	12	4ch	-	1	-	3	DIP18/SOP18
SN8P1704	2K*16	128		-	V	V	18	5ch	1ch	2	1	8	SKDIP28/SOP28
SN8P1706	4K*16	256		V	V	V	30	8ch	1ch	2	1	9	DIP40
SN8P1707				V	V	V	33	8ch	1ch	2	1	9	QFP44
SN8P1708				V	V	V	33	8ch	1ch	2	1	9	DIP48/SSOP48

Table 1-1. Selection Table of SN8P1700

## MASK/OTP Relative Table

Mask Version	Package Form	OTP Chip for Verification	Assembler Declaration
SN8A1702A	DIP18/SOP18/SSOP20	SN8P1702	CHIP SN8P1702
SN8A1704A	SKDIP28/SOP28	SN8P1704	CHIP SN8P1704
SN8A1706A	DIP40	SN8P1706	CHIP SN8P1706
SN8A1707A	QFP44	SN8P1707	CHIP SN8P1707
SN8A1708A	DIP48/SSOP48	SN8P1708	CHIP SN8P1708

Note: Recommend SN8P1702A to replace SN8P1702 in new design. Refer SN8P1702A datasheet for details.

Table 1-2. MASK/OTP Relative Table

## ADC GRADE TABLE

CHIP	PARAMETER	MIN	MAX	UNITS	REMARK
SN8P170X	Resolution		12	Bits	170X: 1702~1708
	No Mission Code	8	12	Bits	
	Differential Nonlinearity (DNL)		16	LSB	
SN8P170X-12	Resolution		12	Bits	170X: 1702~1708
	No Mission Code	10	12	Bits	
	Differential Nonlinearity (DNL)		4	LSB	

Table 1-3. ADC Grade Table

## SN8P1702 FEATURES

- ◆ **Memory configuration**  
OTP ROM size: 1K \* 16 bits.  
RAM size: 64 \* 8 bits.
- ◆ **I/O pin configuration (Total 12 pins)**  
Input only: P0  
Bi-directional: P1, P4, P5  
Wakeup: P0, P1  
Pull-up resistors: P0, P1, P4, P5  
External interrupt: P0  
P4 pins shared with ADC inputs.
- ◆ **One 8-bit timer counters. (TC0).**
- ◆ **On chip watchdog timer.**
- ◆ **Eight levels stack buffer.**
- ◆ **59 powerful instructions**  
Four clocks per instruction cycle  
All of instructions are one word length.  
Most of instructions are one cycle only.  
All ROM area lookup table function (MOVC)
- ◆ **Two interrupt sources**  
One internal interrupts: TC0.  
One external interrupts: INT0.
- ◆ **An 4-channel ADC with 8-bit/12-bit resolution**
- ◆ **One channel PWM output. (PWM0)**
- ◆ **One channel Buzzer output. (BZ0)**
- ◆ **Dual clock system offers three operating modes**  
External high clock: RC type up to 10 MHz  
External high clock: Crystal type up to 16 MHz  
Internal low clock: RC type 16KHz(3V), 32KHz(5V)  
Normal mode: Both high and low clock active  
Slow mode: Low clock only  
Sleep mode: Both high and low clock stop
- ◆ **Package (Chip form support)**  
PDIP 18 pins  
SOP 18 pins / SSOP20 (MASK type only)

### Notice:

1. Declare "CHIP SN8P1702" in assembler.
2. Use @SET\_PUR macro to control pull-up resistor. Refer I/O chapter for detailed information
3. Call @SET\_PUR macro at least one time to avoid sleep mode fail.

## SN8P1704 FEATURES

- ◆ **Memory configuration**  
OTP ROM size: 2K \* 16 bits.  
RAM size: 128 \* 8 bits.
- ◆ **I/O pin configuration (Total 18 pins)**  
Input only: P0  
Bi-directional: P1, P4, P5  
Wakeup: P0, P1  
Pull-up resistors: P0, P1, P4, P5  
External interrupt: P0  
P4 pins shared with ADC inputs.
- ◆ **Two 8-bit timer counters. (TC0, TC1).**
- ◆ **On chip watchdog timer.**
- ◆ **Eight levels stack buffer.**
- ◆ **60 powerful instructions**  
Four clocks per instruction cycle  
All of instructions are one word length.  
Most of instructions are one cycle only.  
All ROM area lookup table function (MOVCL)  
Support hardware multiplier (MUL).
- ◆ **Six interrupt sources**  
Three internal interrupts: TC0, TC1, SIO.  
Three external interrupts: INT0, INT1, INT2.
- ◆ **A 5-channel ADC with 8-bit/12-bit resolution.**
- ◆ **One channel DAC with 7-bit resolution.**
- ◆ **SIO function.**
- ◆ **Two channel PWM output. (PWM0, PWM1)**
- ◆ **Two channel Buzzer output. (BZ0, BZ1)**
- ◆ **Dual clock system offers three operating modes**  
External high clock: RC type up to 10 MHz  
External high clock: Crystal type up to 16 MHz  
Internal low clock: RC type 16KHz(3V), 32KHz(5V)  
Normal mode: Both high and low clock active  
Slow mode: Low clock only  
Sleep mode: Both high and low clock stop
- ◆ **Package (Chip form support)**  
SOP 28 pins  
SKDIP 28 pins

### Notice:

1. Declare "CHIP SN8P1704" in assembler.
2. Use @SET\_PUR macro to control pull-up resistor. Refer I/O chapter for detailed information
3. Call @SET\_PUR macro at least one time to avoid sleep mode fail.

## SN8P1706 FEATURES

- ◆ **Memory configuration**  
OTP ROM size: 4K \* 16 bits.  
RAM size: 256 \* 8 bits (bank 0 and bank 1).
- ◆ **I/O pin configuration (Total 30 pins)**  
Input only: P0  
Bi-directional: P1, P2, P4, P5  
Wakeup: P0, P1  
Pull-up resistors: P0, P1, P2, P4, P5  
External interrupt: P0  
P4 pins shared with ADC inputs.
- ◆ **An 8-bit basic timer. (T0).**
- ◆ **Two 8-bit timer counters. (TC0, TC1).**
- ◆ **On chip watchdog timer.**
- ◆ **Eight levels stack buffer.**
- ◆ **60 powerful instructions**  
Four clocks per instruction cycle  
All of instructions are one word length.  
Most of instructions are one cycle only.  
All ROM area lookup table function (MOVC)  
Support hardware multiplier (MUL).
- ◆ **Seven interrupt sources**  
Four internal interrupts: T0, TC0, TC1, SIO.  
Three external interrupts: INT0, INT1, INT2.
- ◆ **An 8-channel ADC with 8-bit/12-bit resolution.**
- ◆ **One channel DAC 7bit resolution.**
- ◆ **SIO function.**
- ◆ **Two channel PWM output. (PWM0, PWM1)**
- ◆ **Two channel Buzzer output. (BZ0, BZ1)**
- ◆ **Dual clock system offers three operating modes**  
External high clock: RC type up to 10 MHz  
External high clock: Crystal type up to 16 MHz  
Internal low clock: RC type 16KHz(3V), 32KHz(5V)  
Normal mode: Both high and low clock active  
Slow mode: Low clock only  
Sleep mode: Both high and low clock stop
- ◆ **Package (Chip form support)**  
P-DIP 40 pins

### Notice:

1. Declare "CHIP SN8P1706" in assembler.
2. Use @SET\_PUR macro to control pull-up resistor. Refer I/O chapter for detailed information

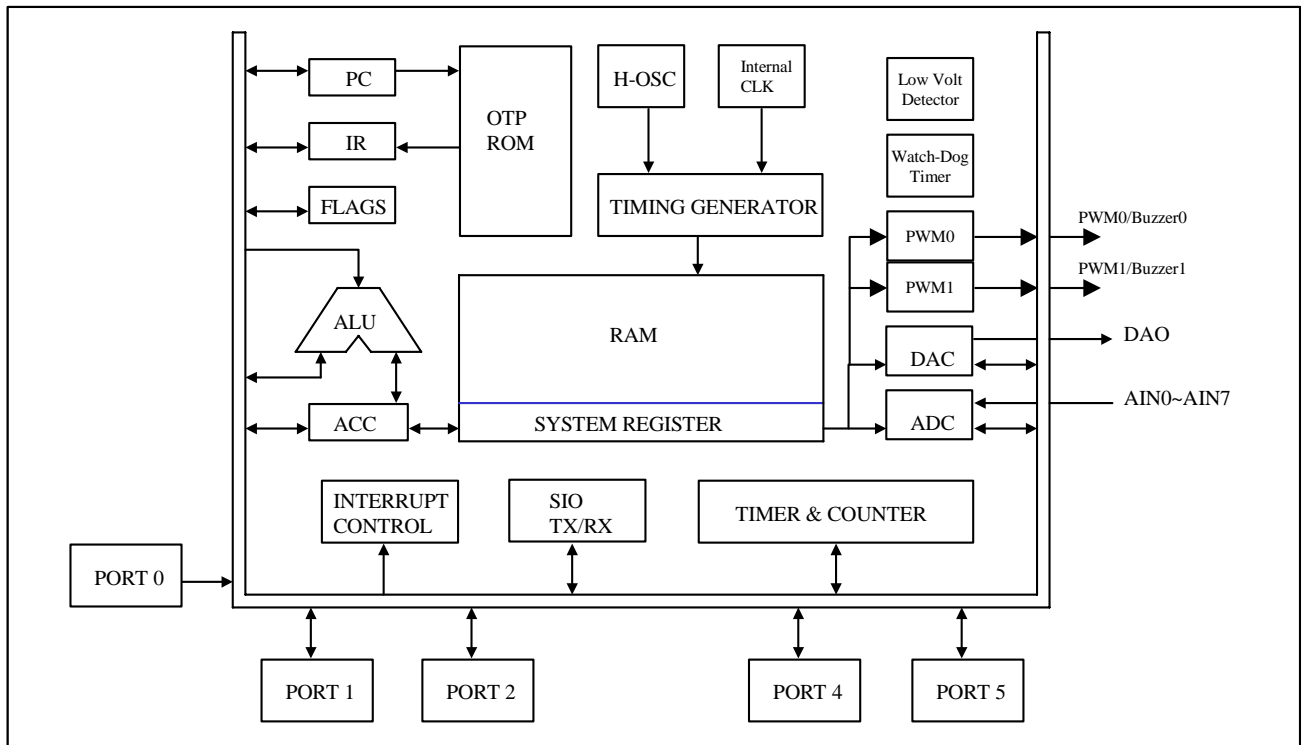
## SN8P1707/SN8P1708 FEATURES

- ◆ **Memory configuration**  
OTP ROM size: 4K \* 16 bits.  
RAM size: 256 \* 8 bits (bank 0 and bank 1).
- ◆ **I/O pin configuration (Total 33 pins)**  
Input only: P0  
Bi-directional: P1, P2, P4, P5  
Wakeup: P0, P1  
Pull-up resistors: P0, P1, P2, P4, P5  
External interrupt: P0  
P4 pins shared with ADC inputs.
- ◆ **An 8-bit basic timer. (T0).**
- ◆ **Two 8-bit timer counters. (TC0, TC1).**
- ◆ **On chip watchdog timer.**
- ◆ **Eight levels stack buffer.**
- ◆ **60 powerful instructions**  
Four clocks per instruction cycle  
All of instructions are one word length.  
Most of instructions are one cycle only.  
All ROM area lookup table function (MOVC)  
Support hardware multiplier (MUL).
- ◆ **Seven interrupt sources**  
Four internal interrupts: T0, TC0, TC1, SIO.  
Three external interrupts: INT0, INT1, INT2.
- ◆ **An 8-channel ADC with 8-bit/12-bit resolution.**
- ◆ **One channel DAC with 7-bit resolution.**
- ◆ **SIO function.**
- ◆ **Two channel PWM output. (PWM0, PWM1)**
- ◆ **Two channel Buzzer output. (BZ0, BZ1)**
- ◆ **Dual clock system offers three operating modes**  
External high clock: RC type up to 10 MHz  
External high clock: Crystal type up to 16 MHz  
Internal low clock: RC type 16KHz(3V), 32KHz(5V)  
Normal mode: Both high and low clock active  
Slow mode: Low clock only  
Sleep mode: Both high and low clock stop
- ◆ **Package (Chip form support)**  
QPF 44 pins (SN8P1707)  
SSOP 48 pins (SN8P1708)  
PDIP 48 pins (SN8P1708)

### Notice:

1. Declare "CHIP SN8P1707" for SN8P1707 in assembler.
2. Declare "CHIP SN8P1708" for SN8P1708 in assembler.
3. Use @SET\_PUR macro to control pull-up resistor. Refer I/O chapter for detailed information

## SYSTEM BLOCK DIAGRAM



**Figure 1-1. Simplified System Block Diagram**



## PIN ASSIGNMENT

Format Description : SN8P17XY

Y = Q > QFP , P > PDIP , K > SKDIP , S > SOP , X > SSOP

### OTP Type:

SN8P1702 (SOP 18PIN)  
SN8P1702 (PDIP 18PIN)

P0.0/INT0	1	U	18	VDD/VPP
RST	2		17	XIN
P1.1	3		16	XOUT
P1.0	4		15	P5.0
VSS	5		14	P5.1
P4.3/AIN3	6		13	P5.2
P4.2/AIN2	7		12	P5.3
P4.1/AIN1	8		11	P5.4/BZ0/PWM0
P4.0/AIN0	9		10	VDD

SN8P1702P  
SN8P1702S

### MASK Type:

SN8A1702A (SOP 18PIN)  
SN8A1702A (PDIP 18PIN)  
SN8A1702A (SSOP 20PIN)

P0.0/INT0	1	U	18	VDD
RST	2		17	XIN
P1.1	3		16	XOUT
P1.0	4		15	P5.0
VSS	5		14	P5.1
P4.3/AIN3	6		13	P5.2
P4.2/AIN2	7		12	P5.3
P4.1/AIN1	8		11	P5.4/BZ0/PWM0
P4.0/AIN0	9		10	VDD

SN8A1702AP  
SN8A1702AS

VSS	1	U	20	P1.0
VSS	2		19	P1.1
P4.3/AIN3	3		18	RST
P4.2/AIN2	4		17	P0.0/INT0
P4.1/AIN1	5		16	VDD
P4.0/AIN0	6		15	XIN
AVREFH	7		14	XOUT
VDD	8		13	P5.0
P5.3	9		12	P5.1
P5.2	10		11	P5.4/BZ0/PWM0

SN8A1702AX

➤ Only MASK type support SSOP20 package

**OTP Type:**
**SN8P1704 (SOP 28PIN)**
**SN8P1704 (SKDIP 28PIN)**

P1.4	1	U	28	RST
P1.3	2		27	P0.2/INT2
VDD	3		26	P0.1/INT1
P1.2	4		25	P0.0/INT0
P1.1	5		24	VDD/VPP
P1.0	6		23	XIN
VSS	7		22	XOUT
P4.4/AIN4	8		21	VSS
P4.3/AIN3	9		20	P5.0/SCK
P4.2/AIN2	10		19	P5.1/SI
P4.1/AIN1	11		18	P5.2/SO
P4.0/AIN0	12		17	P5.3/BZ1/PWM1
AVREFH	13		16	P5.4/BZ0/PWM0
VDD	14		15	DAO

SN8P1704K

SN8P1704S

**MASK Type:**
**SN8A1704A (SOP 28PIN)**
**SN8A1704A (SKDIP 28PIN)**

P1.4	1	U	28	RST
P1.3	2		27	P0.2/INT2
VDD	3		26	P0.1/INT1
P1.2	4		25	P0.0/INT0
P1.1	5		24	VDD
P1.0	6		23	XIN
VSS	7		22	XOUT
P4.4/AIN4	8		21	VSS
P4.3/AIN3	9		20	P5.0/SCK
P4.2/AIN2	10		19	P5.1/SI
P4.1/AIN1	11		18	P5.2/SO
P4.0/AIN0	12		17	P5.3/BZ1/PWM1
AVREFH	13		16	P5.4/BZ0/PWM0
VDD	14		15	DAO

SN8A1704AK

SN8A1704AS

**OTP Type:**  
**SN8P1706 (P-DIP 40PIN)**

P1.5	1	U	40	RST
P1.4	2		39	P0.2/INT2
P1.3	3		38	P0.1/INT1
VDD	4		37	P0.0/INT0
P1.2	5		36	VDD/VPP
P1.1	6		35	XIN
P1.0	7		34	XOUT
P2.0	8		33	VSS
P2.1	9		32	P2.4
P2.2	10		31	P5.0/SCK
P2.3	11		30	P5.1/SI
VSS	12		29	P5.2/SO
P4.7/AIN7	13		28	P5.3/BZ1/PWM1
P4.6/AIN6	14		27	P5.4/BZ0/PWM0
P4.5/AIN5	15		26	P5.5
P4.4/AIN4	16		25	P5.6
P4.3/AIN3	17		24	P5.7
P4.2/AIN2	18		23	DAO
P4.1/AIN1	19		22	VDD
P4.0/AIN0	20		21	AVREFH

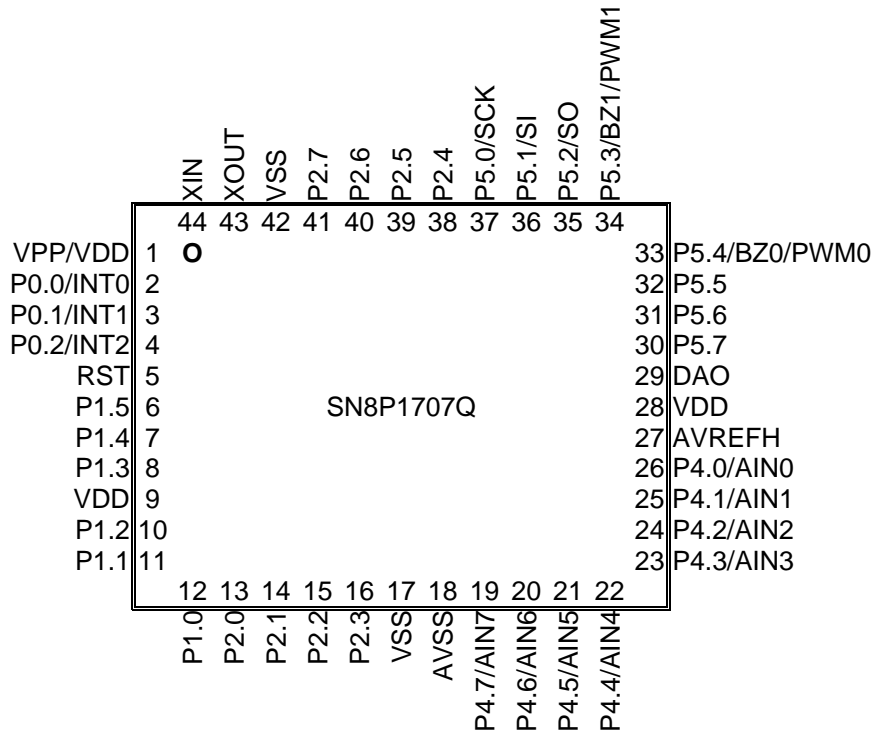
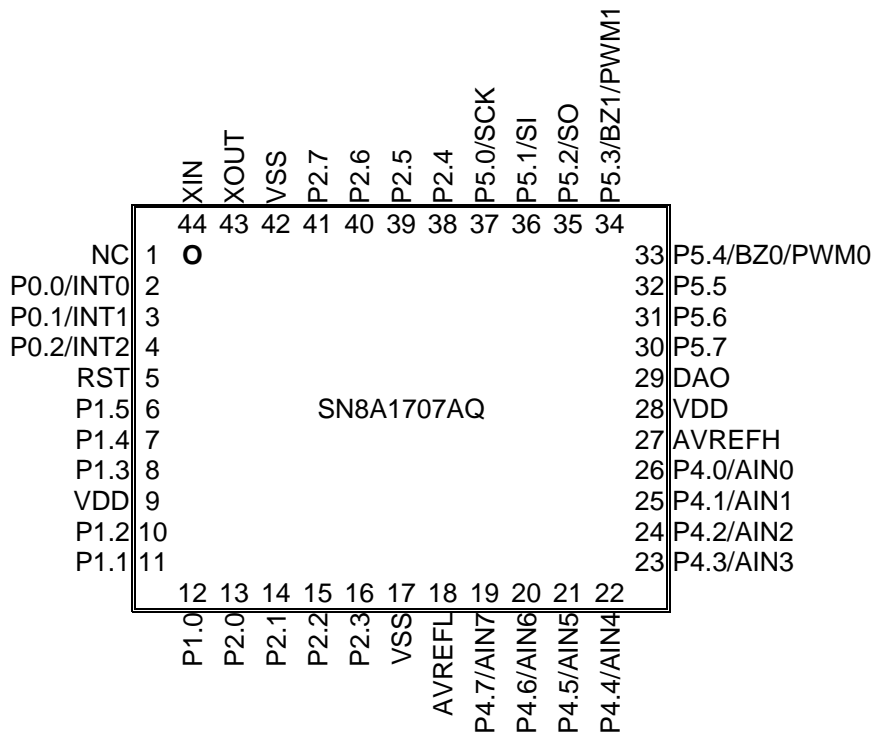
SN8P1706P

**MASK Type:**  
**SN8A1706A (P-DIP 40PIN)**

P1.5	1	U	40	RST
P1.4	2		39	P0.2/INT2
P1.3	3		38	P0.1/INT1
VDD	4		37	P0.0/INT0
P1.2	5		36	NC
P1.1	6		35	XIN
P1.0	7		34	XOUT
P2.0	8		33	VSS
P2.1	9		32	P2.4
P2.2	10		31	P5.0/SCK
P2.3	11		30	P5.1/SI
AVREFL	12		29	P5.2/SO
P4.7/AIN7	13		28	P5.3/BZ1/PWM1
P4.6/AIN6	14		27	P5.4/BZ0/PWM0
P4.5/AIN5	15		26	P5.5
P4.4/AIN4	16		25	P5.6
P4.3/AIN3	17		24	P5.7
P4.2/AIN2	18		23	DAO
P4.1/AIN1	19		22	VDD
P4.0/AIN0	20		21	AVREFH

SN8A1706AP

- For OTP type (SN8P1706) compatible issue, please connect AVREFL pin of MASK type (SN8A1706A) to the analog ground of PCB. The voltage level of AVREFL pin is the valid lowest ADC input voltage. By the way, the AVREFH is the valid highest ADC input voltage.

**OTP Type:**
**SN8P1707 (QFP 44PIN)**

**MASK Type:**
**SN8A1707A (QFP 44PIN)**


➤ For OTP type (SN8P1707) compatible issue, please connect AVREFL pin of MASK type (SN8A1707A) to the analog ground of PCB. The voltage level of AVREFL pin is the valid lowest ADC input voltage. By the way, the AVREFH is the valid highest ADC input voltage.

**OTP Type:**
**SN8P1708 (SSOP 48PIN)**
**SN8P1708 (P-DIP 48PIN)**

P2.5	1	U	48	P2.4
P2.6	2		47	P5.0/SCK
P2.7	3		46	P5.1/SI
VSS	4		45	P5.2/SO
VSS	5		44	P5.3/BZ1/PWM1
XOUT	6		43	VSS
XIN	7		42	P5.4/BZ0/PWM0
VPP/VDD	8		41	P5.5
P0.0/INT0	9		40	P5.6
P0.1/INT1	10		39	P5.7
P0.2/INT2	11		38	DAO
RST	12		37	VDD
P1.5	13		36	AVDD
P1.4	14		35	AVREFH
P1.3	15		34	P4.0/AIN0
VDD	16		33	P4.1/AIN1
VSS	17		32	P4.2/AIN2
P1.2	18		31	P4.3/AIN3
P1.1	19		30	P4.4/AIN4
P1.0	20		29	P4.5/AIN5
P2.0	21		28	P4.6/AIN6
P2.1	22		27	P4.7/AIN7
P2.2	23		26	AVSS
P2.3	24		25	VSS

SN8P1708P

SN8P1708X

**MASK Type:**
**SN8A1708A (SSOP 48PIN)**
**SN8A1708A (P-DIP 48PIN)**

P2.5	1	U	48	P2.4
P2.6	2		47	P5.0/SCK
P2.7	3		46	P5.1/SI
VSS	4		45	P5.2/SO
VSS	5		44	P5.3/BZ1/PWM1
XOUT	6		43	VSS
XIN	7		42	P5.4/BZ0/PWM0
NC	8		41	P5.5
P0.0/INT0	9		40	P5.6
P0.1/INT1	10		39	P5.7
P0.2/INT2	11		38	DAO
RST	12		37	VDD
P1.5	13		36	AVDD
P1.4	14		35	AVREFH
P1.3	15		34	P4.0/AIN0
VDD	16		33	P4.1/AIN1
VSS	17		32	P4.2/AIN2
P1.2	18		31	P4.3/AIN3
P1.1	19		30	P4.4/AIN4
P1.0	20		29	P4.5/AIN5
P2.0	21		28	P4.6/AIN6
P2.1	22		27	P4.7/AIN7
P2.2	23		26	AVREFL
P2.3	24		25	VSS

SN8A1708AP

SN8A1708AX

- **For OTP type (SN8P1708) compatible issue, please connect AVREFL pin of MASK type (SN8A1708A) to the analog ground of PCB. The voltage level of AVREFL pin is the valid lowest ADC input voltage. By the way, the AVREFH is the valid highest ADC input voltage.**

## PIN DESCRIPTIONS

PIN NAME	TYPE	DESCRIPTION
VDD, VSS	P	Power supply input pins for digital circuit.
AVDD, AVSS	P	Power supply input pins for analog circuit.
VPP/VDD	P	OTP ROM programming pin. Connect to VDD in normal operation.
RST	I	System reset input pin. Schmitt trigger structure, active "low", normal stay to "high".
XIN, XOUT	I, O	External oscillator pins. RC mode from XIN.
P0.0 / INT0	I	Port 0.0 and shared with INT0 trigger pin (Schmitt trigger) / Built-in pull-up resistors.
P0.1 / INT1	I	Port 0.1 and shared with INT1 trigger pin (Schmitt trigger) / Built-in pull-up resistors.
P0.2 / INT2	I	Port 0.2 and shared with INT2 trigger pin (Schmitt trigger) / Built-in pull-up resistors.
P1.0 ~ P1.5	I/O	Port 1.0~Port 1.5 bi-direction pins / Built-in pull-up resistors.
P2.0 ~ P2.7	I/O	Port 2.0~Port 2.7 bi-direction pins / Built-in pull-up resistors.
P4.0 ~ P4.7	I/O	Port 4.0~Port 4.7 bi-direction pins / Built-in pull-up resistors.
P5.0 / SCK	I/O	Port 5.0 bi-direction pin and SIO's clock input/output / Built-in pull-up resistors.
P5.1 / SI	I/O	Port 5.1 bi-direction pin and SIO's data input / Built-in pull-up resistors.
P5.2 / SO	I/O	Port 5.2 bi-direction pin and SIO's data output / Built-in pull-up resistors.
P5.3 / BZ1 / PWM1	I/O	Port 5.3 bi-direction pin, TC1 ÷ 2 signal output pin for buzzer or PWM1 output pin. Built-in pull-up resistors.
P5.4 / BZ0 / PWM0	I/O	Port 5.4 bi-direction pin, TC0 ÷ 2 signal output pin for buzzer or PWM0 output pin. Built-in pull-up resistors.
P5.5 ~ P5.7	I/O	Port 5.5~Port 5.7 bi-direction pins / Built-in pull-up resistors.
AVREFH	I	A/D converter high analog reference voltage.
AIN0 ~ AIN7	I	Analog signal input pins for ADC converter.
DAO	O	5-bit DAC signal output pin.

Table 1-4. SN8P1700 Pin Description

## PIN CIRCUIT DIAGRAMS

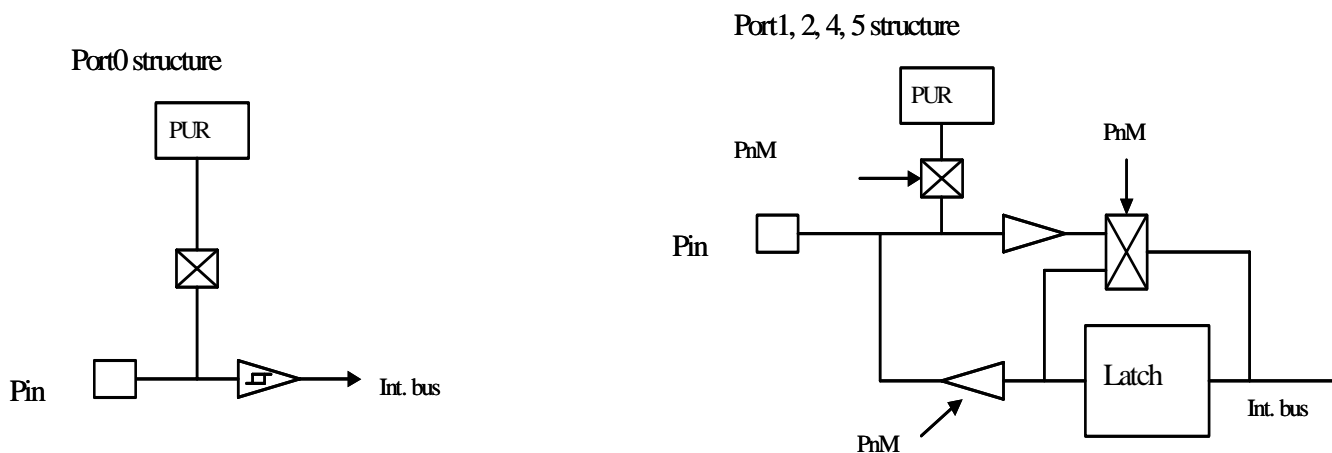


Figure 1-2. Pin Circuit Diagram

➤ **Note:** All of the latch output circuits are push-pull structures.

# 2 CODE OPTION TABLE

Code Option	Content	Function Description
High_Clk	RC	Low cost RC for external high clock oscillator
	32K X'tal	Low frequency, power saving crystal (e.g. 32.768K) for external high clock oscillator
	12M X'tal	High speed crystal /resonator (e.g. 12M) for external high clock oscillator
	4M X'tal	Standard crystal /resonator (e.g. 3.58M) for external high clock oscillator
High_Clk / 2	Enable	External high clock divided by two, Fosc = high clock / 2
	Disable	Fosc = high clock
OSG	Enable	Enable Oscillator Safe Guard function
	Disable	Disable Oscillator Safe Guard function
Watch_Dog	Enable	Enable Watch Dog function
	Disable	Disable Watch Dog function
LVD	Enable	Enable the low voltage detect
	Disable	Disable the low voltage detect
Security	Enable	Enable ROM code Security function
	Disable	Disable ROM code Security function

Table 2-1. Code Option Table of SN8P1700

### Notice : The OSG working voltage and the frequency relation table:

The min. working voltage will be affect by the OSG option. It is very important to check this code option. Turn on the OSG will improve the EMI performance. But the side effect is an increase in the working voltage.

OSC. Freq.(Mhz)	OSG ON (Volt)	OSG OFF(Volt)
1	2.4	2.2
2	2.4	2.2
4	2.5	2.2
6	2.5	2.3
8	2.6	2.4
10	2.8	2.6
12	3	2.7
16	3.5	2.8
18	3.7	3
20	4.1	3.2

Notice : The system working frequency is only warranty under 16Mhz.

# 3 ADDRESS SPACES

## PROGRAM MEMORY (ROM)

### OVERVIEW

ROM Maps for SN8P1700 devices provide OTP memory that programmable by user. SN8P1702 has 1K x 16-bit program memory, SN8P1704 has 2K x 16-bit program memory and SN8P1706, SN8P1707 and SN8P1708 have 4K x 16-bit program memory. The SN8P1700 program memory is able to fetch instructions through 12-bit wide PC (Program Counter) and can look up ROM data by using ROM code registers (R, X, Y, Z). In standard configuration, the device's 4,096 x 16-bit program memory has four areas:

- 1-word reset vector addresses
- 1-word Interrupt vector addresses
- 5-words reserved area
- 4K words (SN8P1706, SN8P1707, SN8P1708)
- 2K words (SN8P1704)
- 1K words (SN8P1702)

All of the program memory is partitioned into three coding areas. The 1<sup>st</sup> area is located from 00H to 03H(The Reset vector area), the 2<sup>nd</sup> area is a reserved area 04H ~07H, the 3<sup>rd</sup> area is for the interrupt vector and the user code area from 0008H to 0FFEH. The address 08H is the interrupt enter address point.

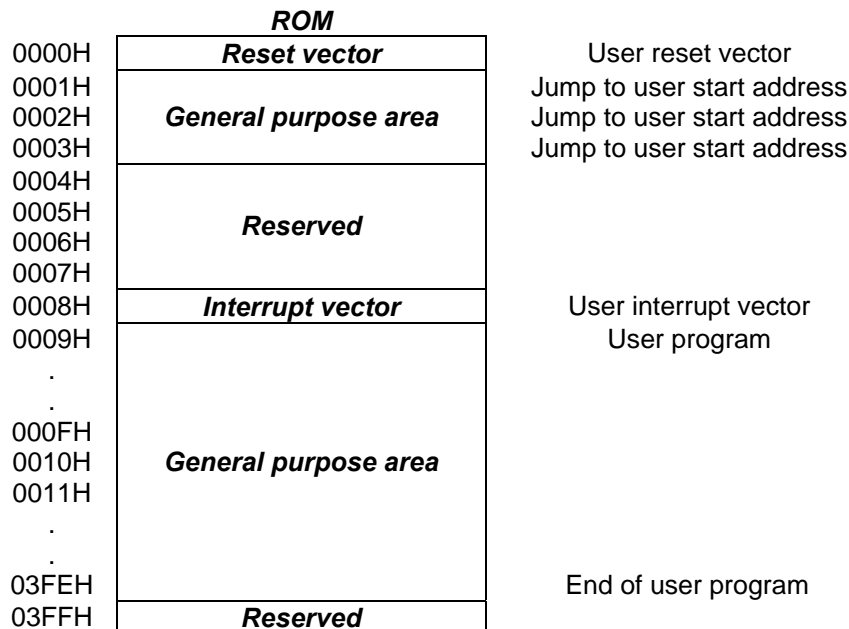
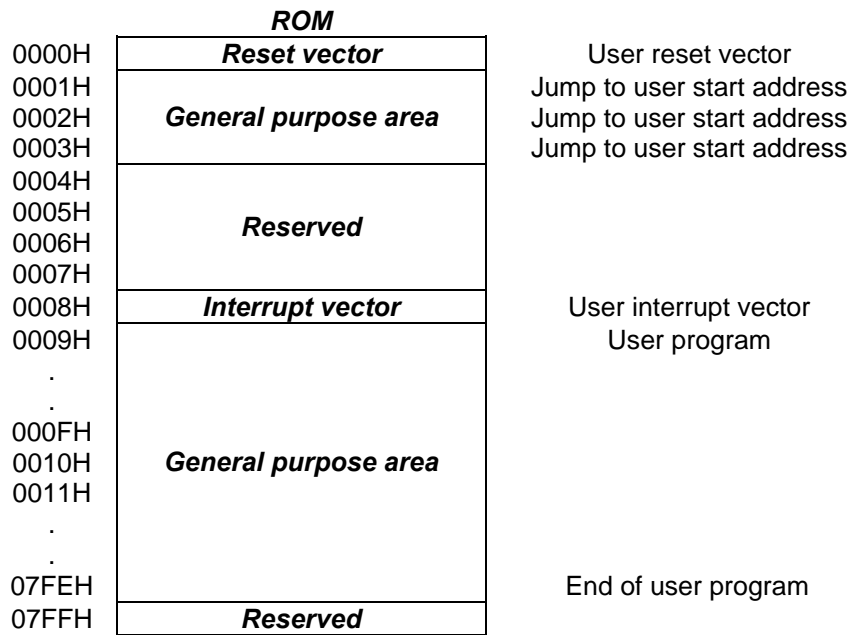
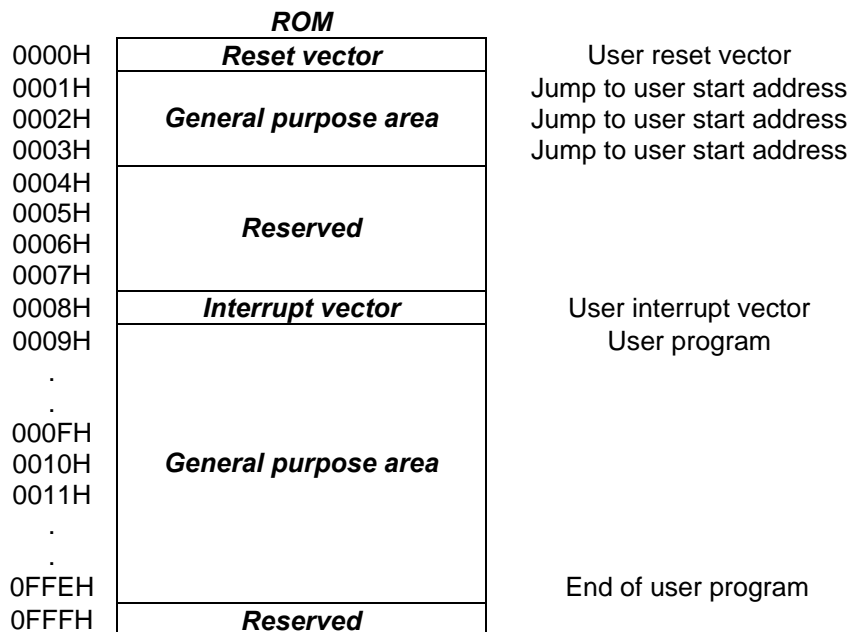


Figure 3-1. ROM Address Structure (SN8P1702)





**Figure 3-2. ROM Address Structure (SN8P1704)**



**Figure 3-3. ROM Address Structure (SN8P1706/SN8P1707/SN8P1708)**

## USER RESET VECTOR ADDRESS (0000H)

A 1-word vector address area is used to execute system reset. After power on reset or watchdog timer overflow reset, then the chip will restart the program from address 0000h and all system registers will be set as default values. The following example shows the way to define the reset vector in the program memory.

⇒ **Example: After power on reset, external reset active or reset by watchdog timer overflow.**

CHIP SN8P1708

```

ORG      0          ; 0000H
JMP      START    ; Jump to user program address.
.          ; 0001H ~ 0007H are reserved

ORG      10H        ; 0010H, The head of user program.
START:  .          ; User program
.
.
.
ENDP                    ; End of program

```

## INTERRUPT VECTOR ADDRESS (0008H)

A 1-word vector address area is used to execute interrupt request. If any interrupt service is executed, the program counter (PC) value is stored in stack buffer and points to 0008h of program memory to execute the vectored interrupt. Users have to define the interrupt vector. The following example shows the way to define the interrupt vector in the program memory.

⇒ **Example 1: This demo program includes interrupt service routine and the user program is behind the interrupt service routine.**

CHIP SN8P1708

```

ORG      0          ; 0000H
JMP      START    ; Jump to user program address.
.          ; 0001H ~ 0007H are reserved

ORG      8          ; Interrupt service routine
B0XCH    A, ACCBUF ; B0XCH doesn't change C, Z flag
PUSH                    ; Push 80H ~ 87H system registers
.
.
.
POP                    ; Pop 80H ~ 87H system registers
B0XCH    A, ACCBUF
RETI                    ; End of interrupt service routine

START:  .          ; The head of user program.
.          ; User program
.
.
.
JMP      START    ; End of user program

ENDP                    ; End of program

```

⇒ Example 2: The demo program includes interrupt service routine and the address of interrupt service routine is in a special address of general-purpose area.

CHIP SN8P1708

```

    ORG      0          ; 0000H
    JMP     START      ; Jump to user program address.
    .       ; 0001H ~ 0007H are reserved

    ORG     08
    JMP     MY_IRQ     ; 0008H, Jump to interrupt service routine address

START:
    ORG     10H
    .       ; 0010H, The head of user program.
    .       ; User program
    .
    .
    JMP     START      ; End of user program

MY_IRQ:
    B0XCH  A, ACCBUF  ; The head of interrupt service routine
    PUSH   ; B0XCH doesn't change C, Z flag
    .       ; Push 80H ~ 87H system registers
    .
    .
    POP    ; Pop 80H ~ 87H system registers
    B0XCH  A, ACCBUF
    RETI   ; End of interrupt service routine

    ENDP          ; End of program

```

➤ Remark: It is easy to get the rules of SONiX program from demo programs given above. These points are as following.

1. The address 0000H is a "JMP" instruction to make the program go to general-purpose ROM area. The 0004H~0007H are reserved. Users have to skip 0004H~0007H addresses. It is very important and necessary.

2. The interrupt service starts from 0008H. Users can put the whole interrupt service routine from 0008H (Example1) or to put a "JMP" instruction in 0008H then place the interrupt service routine in other general-purpose ROM area (Example2) to get more modularized coding style.

## CHECKSUM CALCULATION

The ROM addresses 0004H~0007H and last address are reserved area. User should avoid these addresses (0004H~0007H and last address) when calculate the Checksum value.

⇒ **Example:**

The demo program shows how to avoid 0004H~0007H when calculated Checksum from 00H to the end of user's code

```

MOV      A,#END_USER_CODE$L
B0MOV   END_ADDR1,A      ;save low end address to end_addr1
MOV      A,#END_USER_CODE$
M
B0MOV   END_ADDR2,A      ;save middle end address to end_addr2
CLR     Y                ;set Y to 00H
CLR     Z                ;set Z to 00H

@@:
CALL    YZ_CHECK        ;call function of check yz value
MOVC
B0BSET  FC              ;clear C flag
ADD     DATA1,A        ;add A to Data1
MOV     A,R
ADC     DATA2,A        ;add R to Data2
JMP     END_CHECK      ;check if the YZ address = the end of code

AAA:
INCMS   Z               ;Z=Z+1
JMP     @B              ;if Z!= 00H calculate to next address
JMP     Y_ADD_1        ;if Z=00H increase Y

END_CHECK:
MOV     A,END_ADDR1
CMPRS   A,Z             ;check if Z = low end address
JMP     AAA            ;if Not jump to checksum calculate
MOV     A,END_ADDR2
CMPRS   A,Y            ;if Yes, check if Y = middle end address
JMP     AAA            ;if Not jump to checksum calculate
JMP     CHECKSUM_END  ;if Yes checksum calculated is done.
YZ_CHECK:
MOV     A,#04H
CMPRS   A,Z            ;check if Z=04H
RET     ;if Not return to checksum calculate
MOV     A,#00H
CMPRS   A,Y            ;if Yes, check if Y=00H
RET     ;if Not return to checksum calculate
INCMS   Z              ;if Yes, increase 4 to Z
INCMS   Z
INCMS   Z
INCMS   Z
RET     ;set YZ=0008H then return

Y_ADD_1:
INCMS   Y              ;increase Y
NOP
JMP     @B             ;jump to checksum calculate

CHECKSUM_END:
.....
.....

END_USER_CODE:      ;Label of program end

```

## GENERAL PURPOSE PROGRAM MEMORY AREA

The 4089<sup>1</sup>-word at ROM locations 0010H~0FFE<sup>H</sup> are used as general-purpose memory. The area is stored instruction's op-code and look-up table data. The SN8P1700 includes jump table function by using program counter (PC) and look-up table function by using ROM code registers (R, X, Y, Z).

The boundary of program memory is separated by the high-byte program counter (PCH) every 100H. In jump table function and look-up table function, the program counter can't leap over the boundary by program counter automatically. Users need to modify the PCH value to "PCH+1" as the PCL overflow (from 0FFH to 000H).

➤ **Notice: 1:** The SN8P1702's ROM size is about 1K words and the SN8P1704's ROM size is about 2K words.

## LOOKUP TABLE DESCRIPTION

In the ROM's data lookup function, the X register is pointed to the highest 8-bit, Y register to the middle 8-bit and Z register to the lowest 8-bit data of ROM address. After MOVC instruction is executed, the low-byte data of ROM then will be stored in ACC and high-byte data stored in R register.

➔ **Example: To look up the ROM data located "TABLE1".**

```

B0MOV    Y, #TABLE1$M    ; To set lookup table1's middle address
B0MOV    Z, #TABLE1$L    ; To set lookup table1's low address.
MOVC     ; To lookup data, R = 00H, ACC = 35H
;
; Increment the index address for next address
INCMS    Z                ; Z+1
JMP      @F               ; Not overflow
INCMS    Y                ; Z overflow (FFH → 00), → Y=Y+1
NOP      ; Not overflow
;
@@:      MOVC             ; To lookup data, R = 51H, ACC = 05H.
;
TABLE1:  .                ;
          DW      0035H   ; To define a word (16 bits) data.
          DW      5105H   ; "
          DW      2012H   ; "

```

➤ **CAUTION:** The Y register can't increase automatically if Z register cross boundary from 0xFF to 0x00. Therefore, user must take care such situation to avoid loop-up table errors. If Z register overflow, Y register must be added one. The following INC\_YZ macro shows a simple method to process Y and Z registers automatically.

➤ **Note:** Because the program counter (PC) is only 12-bit, the X register is useless in the application. Users can omit "B0MOV X, #TABLE1\$H". SONiX ICE support more larger program memory addressing capability. So make sure X register is "0" to avoid unpredicted error in loop-up table operation.

➔ **Example: INC\_YZ Macro**

```

INC_YZ    MACRO
          INCMS    Z                ; Z+1
          JMP      @F               ; Not overflow
;
          INCMS    Y                ; Y+1
          NOP      ; Not overflow
@@:
          ENDM

```

The other coding style of loop-up table is to add Y or Z index register by accumulator. Be careful if carry happen. Refer following example for detailed information:

➤ **Example: Increase Y and Z register by B0ADD/ADD instruction**

```

B0MOV    Y, #TABLE1$M    ; To set lookup table's middle address.
B0MOV    Z, #TABLE1$L    ; To set lookup table's low address.

B0MOV    A, BUF          ; Z = Z + BUF.
B0ADD    Z, A

B0BTS1   FC              ; Check the carry flag.
JMP      GETDATA        ; FC = 0
INCMS    Y               ; FC = 1. Y+1.
NOP

GETDATA:
MOV      A, #0           ;
                ; To lookup data. If BUF = 0, data is 0x0035
                ; If BUF = 1, data is 0x5105
                ; If BUF = 2, data is 0x2012
                ;
                ;
                ;
TABLE1:
DW       0035H           ; To define a word (16 bits) data.
DW       5105H           ;
DW       2012H           ;

```

## JUMP TABLE DESCRIPTION

The jump table operation is one of multi-address jumping function. Add low-byte program counter (PCL) and ACC value to get one new PCL. The new program counter (PC) points to a series jump instructions as a listing table. The way is easy to make a multi-stage program.

When carry flag occurs after executing of "ADD PCL, A", it will not affect PCH register. Users have to check if the jump table leaps over the ROM page boundary or the listing file generated by SONiX assembly software. If the jump table leaps over the ROM page boundary (e.g. from xxFFH to xx00H), move the jump table to the top of next program memory page (xx00H). **Here one page mean 256 words.**

⇒ **Example : If PC = 0323H (PCH = 03H, PCL = 23H)**

```

ORG      0X0100      ; The jump table is from the head of the ROM boundary

B0ADD    PCL, A      ; PCL = PCL + ACC, the PCH can't be changed.
JMP      A0POINT    ; ACC = 0, jump to A0POINT
JMP      A1POINT    ; ACC = 1, jump to A1POINT
JMP      A2POINT    ; ACC = 2, jump to A2POINT
JMP      A3POINT    ; ACC = 3, jump to A3POINT

```

In following example, the jump table starts at 0x00FD. When execute B0ADD PCL, A. If ACC = 0 or 1, the jump table points to the right address. If the ACC is larger then 1 will cause error because PCH doesn't increase one automatically. We can see the PCL = 0 when ACC = 2 but the PCH still keep in 0. The program counter (PC) will point to a wrong address 0x0000 and crash system operation. It is important to check whether the jump table crosses over the boundary (xxFFH to xx00H). A good coding style is to put the jump table at the start of ROM boundary (e.g. 0100H).

⇒ **Example: If "jump table" crosses over ROM boundary will cause errors.**

```

ROM Address
.
.
.
0X00FD    B0ADD    PCL, A      ; PCL = PCL + ACC, the PCH can't be changed.
0X00FE    JMP      A0POINT    ; ACC = 0
0X00FF    JMP      A1POINT    ; ACC = 1
0X0100    JMP      A2POINT    ; ACC = 2 ← jump table cross boundary here
0X0101    JMP      A3POINT    ; ACC = 3
.
.
.

```

SONiX provides a macro for safe jump table function. This macro will check the ROM boundary and move the jump table to the right position automatically. The side effect of this macro is maybe wasting some ROM size. Notice the maximum jmp table number for this macro is limited under 254.

```

@JMP_A    MACRO    VAL
IF        (($+1) !& 0XFF00) != (($+(VAL)) !& 0XFF00)
JMP      ($ | 0XFF)
ORG      ($ | 0XFF)
ENDIF
ADD      PCL, A
ENDM

```

➤ **Note: "VAL" is the number of the jump table listing number.**

⇒ Example: “@JMP\_A” application in SONIX macro file called “MACRO3.H”.

```
B0MOV    A, BUF0      ; "BUF0" is from 0 to 4.
@JMP_A   5            ; The number of the jump table listing is five.
JMP      A0POINT     ; If ACC = 0, jump to A0POINT
JMP      A1POINT     ; ACC = 1, jump to A1POINT
JMP      A2POINT     ; ACC = 2, jump to A2POINT
JMP      A3POINT     ; ACC = 3, jump to A3POINT
JMP      A4POINT     ; ACC = 4, jump to A4POINT
```

If the jump table position is from 00FDH to 0101H, the “@JMP\_A” macro will make the jump table to start from 0100h.



## DATA MEMORY (RAM)

### OVERVIEW

The SN8P1700 has internally built-in the data memory up to 256 bytes for storing the general-purpose data.

For SN8P1702

- 48 \* 8-bit general purpose area in bank 0
- 128 \* 8-bit system special register area

For SN8P1704

- 128 \* 8-bit general purpose area in bank 0
- 128 \* 8-bit system special register area

For SN8P1706/SN8P1707/SN8P1708

- 128 \* 8-bit general purpose area in bank 0
- 128 \* 8-bit general purpose area in bank 1
- 128 \* 8-bit system special register area

The memory is separated into bank 0 and bank 1. The user can program RAM bank selection bits of RBANK register to access all data in any of the two RAM banks. The bank 0, using the first 128-byte location assigned as general-purpose area, and the remaining 128-byte in bank 0 as system register. The bank 1, using the first 128-byte location assigned as general-purpose area, and others useless.

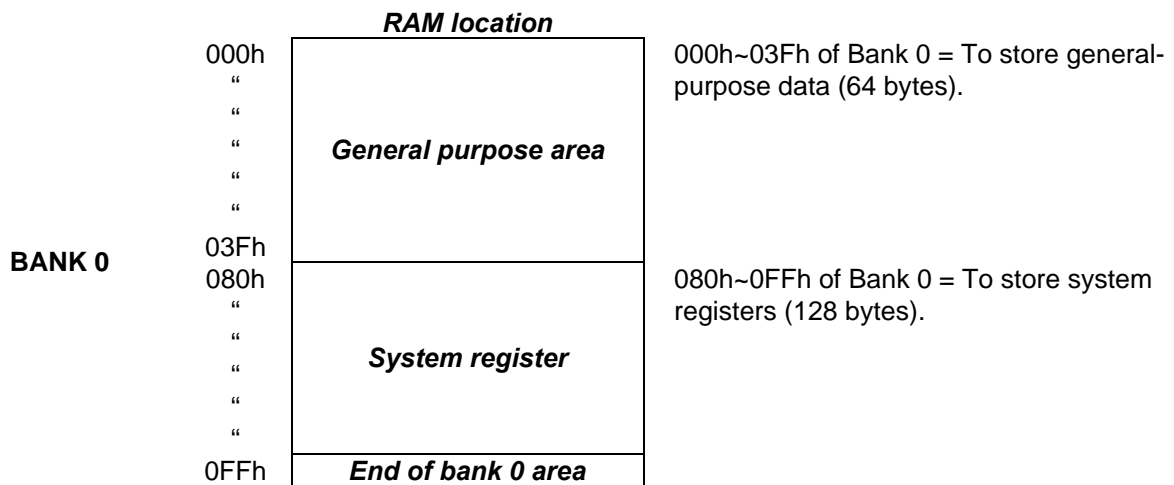
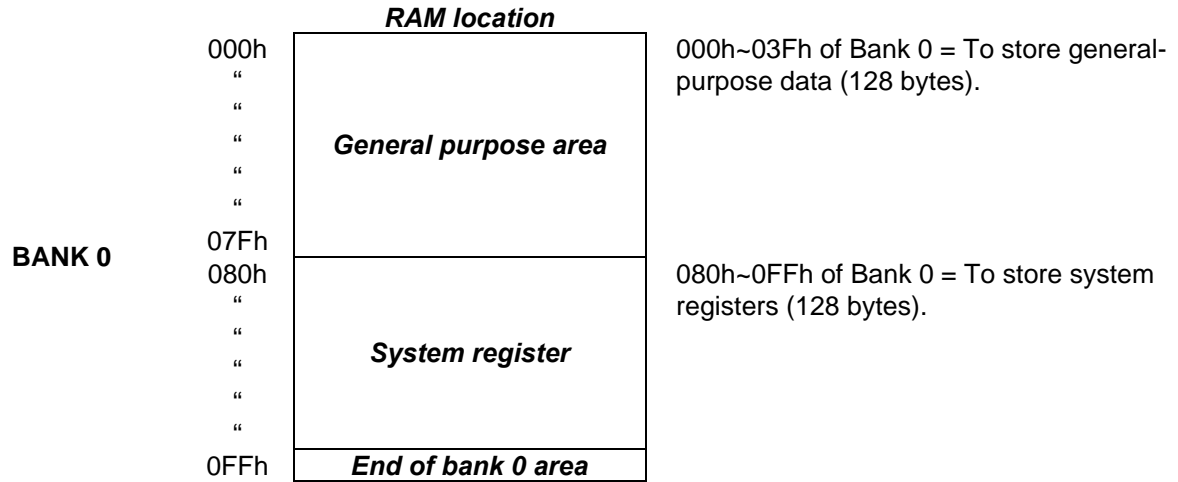
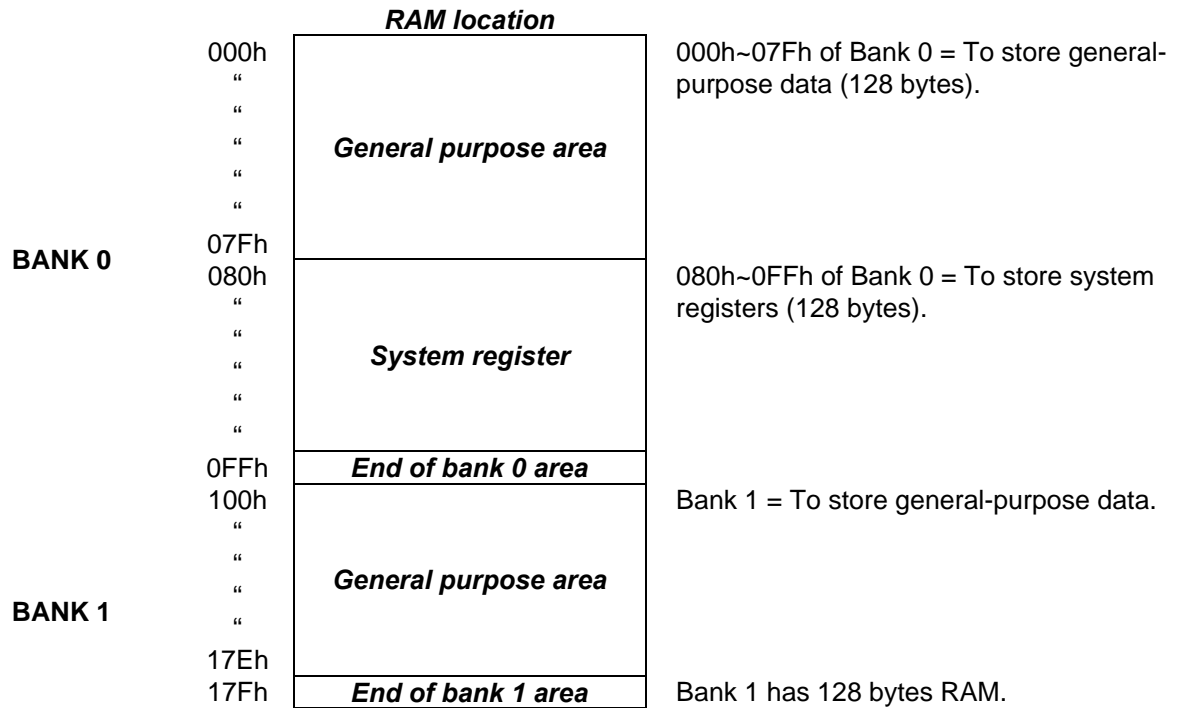


Figure 3-4. RAM Location of SN8P1702



**Figure 3-5. RAM Location of SN8P1704**



**Figure 3-6 RAM Location of SN8P1706/SN8P1707/SN8P1708**

➤ **Note:** The undefined locations of system register area are logic “high” after executing read instruction “MOV A, M”.

## RAM BANK SELECTION

The RBANK is a 1-bit register located at 87H in RAM bank 0. The user can access RAM data by using this register pointing to working RAM bank for ACC to read/write RAM data.

**RBANK initial value = xxxx xxx0**

087H	Bit 7	Bit 6	Bit 5	Bit 4	Bit 3	Bit 2	Bit 1	Bit 0
<b>RBANK</b>	0	0	0	0	0	0	0	RBNKS0
	-	-	-	-	-	-	-	R/W

RBNKS<sub>n</sub>: RAM bank selecting control bit. 0 = bank 0, 1 = bank 1.

### ➤ Example: RAM bank selecting.

```
; BANK 0
        CLR        RBANK        ; b0bclr FRBNKS0
        .
; BANK 1
        MOV        A, #1        ; b0bset FRBNKS0
        B0MOV     RBANK, A
        .
```

➤ **Note: "B0MOV" instruction can access the RAM of bank 0 in other bank situation directly.**

### ➤ Example: Access RAM bank 0 in RAM bank 1.

```
; BANK 1
        B0BSET    RBNKS0        ; Get into RAM bank 1
        B0MOV     A, BUF0        ; Read BUF0 data. BUF0 is in RAM bank0.
        MOV       BUF1, A        ; Write BUF0 data to BUF1. BUF1 is in RAM bank1.
        .
        .
        MOV       A, BUF1        ; Read BUF1(bank1) data and store in ACC.
        B0MOV     BUF0, A        ; Write ACC data to BUF0(bank0).
```

Under bank 1 situation, using "B0MOV" instruction is an easy way to access RAM bank 0 data. User can make a habit to read/write system register (0087H~00FFH). Then user can access system registers without switching RAM bank.

### ➤ Example: To Access the system registers in bank 1 situation.

```
; BANK 1
        B0BSET    RBNKS0        ; Switch the Ram Bank into bank 1
        .
        MOV       A, #0FFH      ; Set all pins of P1 to be logic high.
        B0MOV     P1, A          ; Operate the bank 0 special register by the b0mov instruction
        .                        ; while the RAM system in the bank1.
        B0MOV     A, P0          ; Read P0 data in the Bank 0 and store into BUF1 in the bank 1.
        MOV       BUF1, A        ;
```

## WORKING REGISTERS

The locations 80H to 85H of RAM bank 0 in data memory stores the specially defined registers such as register H, L, R, X, Y, Z, respectively shown in the following table. These registers can use as the general purpose of working buffer and be used to access ROM's and RAM's data. For instance, all of the ROM's table can be looked-up with R, X, Y and Z registers. The data of RAM memory can be indirectly accessed with H, L, Y and Z registers.

	80H	81H	82H	83H	84H	85H	
<b>RAM</b>	L	H	R	Z	Y	X	
	R/W	R/W	R/W	R/W	R/W	R/W	

## H, L REGISTERS

The H and L are 8-bit register with two major functions. One is to use the registers as working register. The other is to use the registers as data pointer to access RAM's data. The @HL that is data point\_0 index buffer located at address E6H in RAM bank\_0. It employs H and L registers to addressing RAM location in order to read/write data through ACC. The Lower 4-bit of H register is pointed to RAM bank number and L register is pointed to RAM address number, respectively. The higher 4-bit data of H register is truncated in RAM indirectly access mode.

**H initial value = 0000 0000**

081H	Bit 7	Bit 6	Bit 5	Bit 4	Bit 3	Bit 2	Bit 1	Bit 0
<b>H</b>	HBIT7	HBIT6	HBIT5	HBIT4	HBIT3	HBIT2	HBIT1	HBIT0
	R/W	R/W	R/W	R/W	R/W	R/W	R/W	R/W

**L initial value = 0000 0000**

080H	Bit 7	Bit 6	Bit 5	Bit 4	Bit 3	Bit 2	Bit 1	Bit 0
<b>L</b>	LBIT7	LBIT6	LBIT5	LBIT4	LBIT3	LBIT2	LBIT1	LBIT0
	R/W	R/W	R/W	R/W	R/W	R/W	R/W	R/W

⇒ **Example: If want to read a data from RAM address 20H of bank\_0, it can use indirectly addressing mode to access data as following.**

```

B0MOV    H, #00H        ; To set RAM bank 0 for H register
B0MOV    L, #20H        ; To set location 20H for L register
B0MOV    A, @HL         ; To read a data into ACC
    
```

⇒ **Example: Clear general-purpose data memory area of bank 0 using @HL register.**

```

CLR      H              ; H = 0, bank 0
MOV      A, #07FH
B0MOV    L, A           ; L = 7FH, the last address of the data memory area
CLR_HL_BUF:
CLR      @HL            ; Clear @HL to be zero
DECMS   L               ; L - 1, if L = 0, finish the routine
JMP     CLR_HL_BUF     ; Not zero

CLR      @HL
END_CLR: ; End of clear general purpose data memory area of bank 0
.
.
.
    
```

## Y, Z REGISTERS

The Y and Z registers are the 8-bit buffers. There are three major functions of these registers. First, Y and Z registers can be used as working registers. Second, these two registers can be used as data pointers for @YZ register. Third, the registers can be address ROM location in order to look-up ROM data.

**Y initial value = 0000 0000**

084H	Bit 7	Bit 6	Bit 5	Bit 4	Bit 3	Bit 2	Bit 1	Bit 0
<b>Y</b>	YBIT7	YBIT6	YBIT5	YBIT4	YBIT3	YBIT2	YBIT1	YBIT0
	R/W	R/W	R/W	R/W	R/W	R/W	R/W	R/W

**Z initial value = 0000 0000**

083H	Bit 7	Bit 6	Bit 5	Bit 4	Bit 3	Bit 2	Bit 1	Bit 0
<b>Z</b>	ZBIT7	ZBIT6	ZBIT5	ZBIT4	ZBIT3	ZBIT2	ZBIT1	ZBIT0
	R/W	R/W	R/W	R/W	R/W	R/W	R/W	R/W

The @YZ that is data point\_1 index buffer located at address E7H in RAM bank 0. It employs Y and Z registers to addressing RAM location in order to read/write data through ACC. The Lower 4-bit of Y register is pointed to RAM bank number and Z register is pointed to RAM address number, respectively. The higher 4-bit data of Y register is truncated in RAM indirectly access mode.

➤ **Example: If want to read a data from RAM address 25H of bank 1, it can use indirectly addressing mode to access data as following.**

```
B0MOV    Y, #01H      ; To set RAM bank 1 for Y register
B0MOV    Z, #25H      ; To set location 25H for Z register
B0MOV    A, @YZ       ; To read a data into ACC
```

➤ **Example: Clear general-purpose data memory area of bank 1 using @YZ register.**

```
MOV      A, #1
B0MOV    Y, A          ; Y = 1, bank 1
MOV      A, #07FH
B0MOV    Z, A          ; Y = 7FH, the last address of the data memory area
```

CLR\_YZ\_BUF:

```
CLR      @YZ          ; Clear @YZ to be zero
```

```
DECMS   Z            ; Y - 1, if Y= 0, finish the routine
```

```
JMP     CLR_YZ_BUF   ; Not zero
```

```
CLR      @YZ
```

END\_CLR: ; End of clear general purpose data memory area of bank 0

➤ **Note: Please consult the “LOOK-UP TABLE DESCRIPTION” about Y, Z register look-up table application.**

## X REGISTERS

There are two major functions of the X register. First, X register can be used as working registers. Second, the X registers must be clear in order to look-up the ROM data. The SN8P1700's program counter only has 12-bit. In look-up table function, the users can omit X register.

**X initial value = 0000 0000**

085H	Bit 7	Bit 6	Bit 5	Bit 4	Bit 3	Bit 2	Bit 1	Bit 0
<b>X</b>	XBIT7	XBIT6	XBIT5	XBIT4	XBIT3	XBIT2	XBIT1	XBIT0
	R/W	R/W	R/W	R/W	R/W	R/W	R/W	R/W

➤ **Note: Please consult the “LOOK-UP TABLE DESCRIPTION” about X register look-up table application.**

## R REGISTERS

There are two major functions of the R register. First, R register can be used as working registers. Second, the R registers can be store high-byte data of look-up ROM data. After MOVC instruction executed, the high-byte data of a ROM address will be stored in R register and the low-byte data stored in ACC.

**R initial value = 0000 0000**

082H	Bit 7	Bit 6	Bit 5	Bit 4	Bit 3	Bit 2	Bit 1	Bit 0
<b>R</b>	RBIT7	RBIT6	RBIT5	RBIT4	RBIT3	RBIT2	RBIT1	RBIT0
	R/W	R/W	R/W	R/W	R/W	R/W	R/W	R/W

➤ **Note: Please consult the “LOOK-UP TABLE DESCRIPTION” about R register look-up table application.**

## PROGRAM FLAG

The PFLAG includes carry flag (C), decimal carry flag (DC) and zero flag (Z). If the result of operating is zero or there is carry, borrow occurrence, then these flags will be set to PFLAG register.

**PFLAG initial value = xxxx x000**

086H	Bit 7	Bit 6	Bit 5	Bit 4	Bit 3	Bit 2	Bit 1	Bit 0
<b>PFLAG</b>	-	-	-	-	-	C	DC	Z
	-	-	-	-	-	R/W	R/W	R/W

## CARRY FLAG

C = 1: If executed arithmetic addition with occurring carry signal or executed arithmetic subtraction without borrowing signal or executed rotation instruction with shifting out logic "1".

C = 0: If executed arithmetic addition without occurring carry signal or executed arithmetic subtraction with borrowing signal or executed rotation instruction with shifting out logic "0".

## DECIMAL CARRY FLAG

DC = 1: If executed arithmetic addition with occurring carry signal from low nibble or executed arithmetic subtraction without borrow signal from high nibble.

DC = 0: If executed arithmetic addition without occurring carry signal from low nibble or executed arithmetic subtraction with borrow signal from high nibble.

## ZERO FLAG

Z = 1: After operation, the content of ACC is zero.

Z = 0: After operation, the content of ACC is not zero.

## ACCUMULATOR

The ACC is an 8-bits data register responsible for transferring or manipulating data between ALU and data memory. If the result of operating is zero (Z) or there is carry (C or DC) occurrence, then these flags will be set to PFLAG register.

ACC is not in data memory (RAM), so ACC can't be access by "B0MOV" instruction during the instant addressing mode.

### ⇒ Example: Read and write ACC value.

; Read ACC data and store in BUF data memory

```
MOV     BUF, A
.
```

; Write a immediate data into ACC

```
MOV     A, #0FH
.
```

; Write ACC data from BUF data memory

```
MOV     A, BUF
.
```

The PUSH and POP instructions don't store ACC value as any interrupt service executed. ACC must be exchanged to another data memory defined by users. Thus, once interrupt occurs, these data must be stored in the data memory based on the user's program as follows.

### ⇒ Example: ACC and working registers protection.

```
ACCBUF     EQU     00H           ; ACCBUF is ACC data buffer in bank 0.
```

```
INT_SERVICE:
```

```
    B0XCH     A, ACCBUF       ; B0XCH doesn't change C, Z flag
```

```
    PUSH.     .               ; Push instruction
```

```
    .
```

```
    .
```

```
    POP
```

```
    ; Pop instruction
```

```
    B0XCH     A, ACCBUF       ; Re-load ACC
```

```
    RETI
```

```
    ; Exit interrupt service vector
```

➤ **Notice:** To save and re-load ACC data must be used "B0XCH" instruction, or the PLAGE value maybe modified by ACC.



# STACK OPERATIONS

## OVERVIEW

The stack buffer of SN8P1700 has 8-level high area and each level is 12-bits length. This buffer is designed to save and restore program counter's (PC) data when interrupt service is executed. The STKP register is a pointer designed to point active level in order to save or restore data from stack buffer for kernel circuit. The STKnH and STKnL are the 12-bit stack buffers to store program counter (PC) data.

### STACK BUFFER

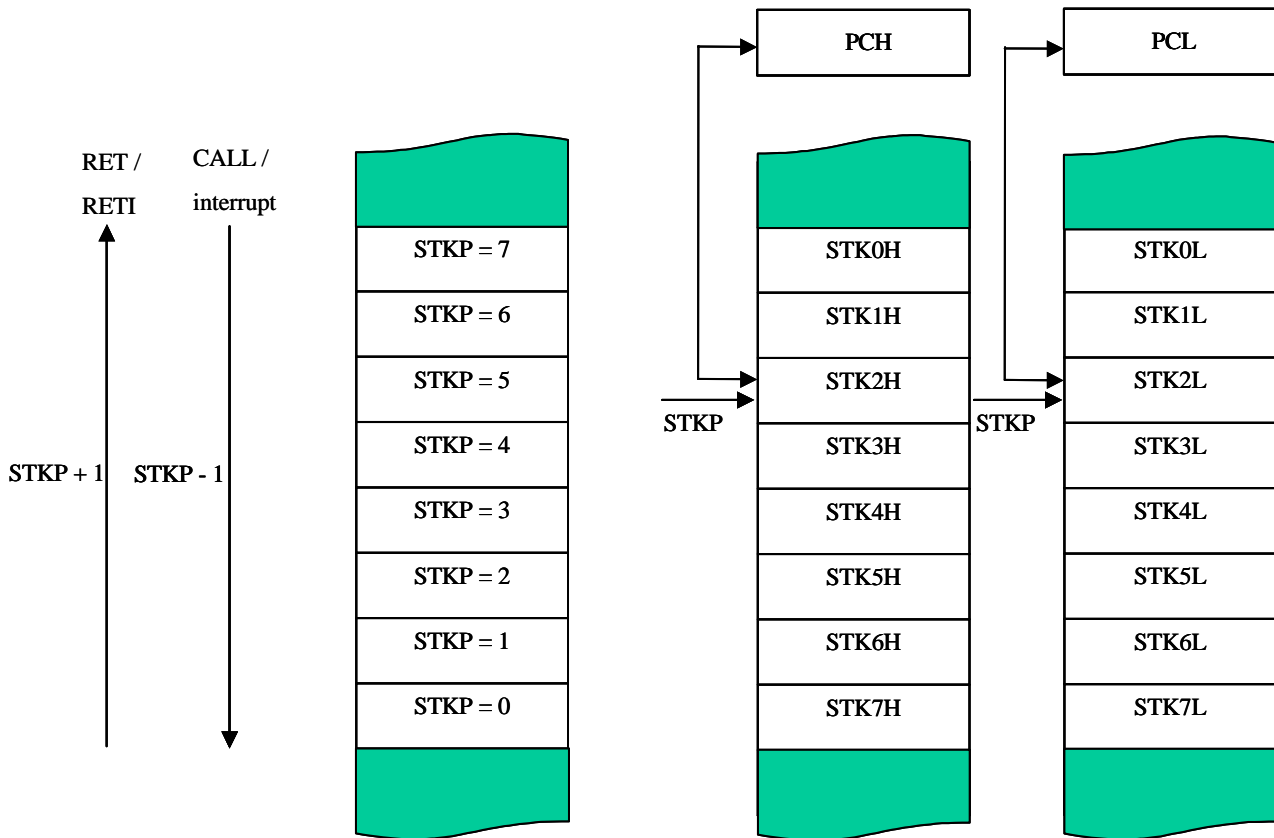


Figure 3-7 Stack-Save and Stack-Restore Operation

## STACK REGISTERS

The stack pointer (STKP) is a 4-bit register to store the address used to access the stack buffer, 12-bits data memory (STKnH and STKnL) set aside for temporary storage of stack addresses.

The two stack operations are writing to the top of the stack (Stack-Save) and reading (Stack-Restore) from the top of stack. Stack-Save operation decrements the STKP and the Stack-Restore operation increments one time. That makes the STKP always points to the top address of stack buffer and writes the last program counter value (PC) into the stack buffer.

The program counter (PC) value is stored in the stack buffer before a CALL instruction executed or during interrupt service routine. Stack operation is a LIFO type (Last in and first out). The stack pointer (STKP) and stack buffer (STKnH and STKnL) are located in the system register area bank 0.

**STKP (stack pointer) initial value = 0xxx 1111**

0DFH	Bit 7	Bit 6	Bit 5	Bit 4	Bit 3	Bit 2	Bit 1	Bit 0
<b>STKP</b>	GIE	-	-	-	STKPB3	STKPB2	STKPB1	STKPB0
	R/W	-	-	-	R/W	R/W	R/W	R/W

STKPBn: Stack pointer. (n = 0 ~ 3)

GIE: Global interrupt control bit. 0 = disable, 1 = enable. More detail information is in interrupt chapter.

⇒ **Example: Stack pointer (STKP) reset routine.**

```
MOV      A, #00001111B
B0MOV   STKP, A
```

**STKn (stack buffer) initial value = xxxx xxxx xxxx xxxx, STKn = STKnH + STKnL (n = 7 ~ 0)**

0F0H~0FFH	Bit 7	Bit 6	Bit 5	Bit 4	Bit 3	Bit 2	Bit 1	Bit 0
<b>STKnH</b>	-	-	-	-	SnPC11	SnPC10	SnPC9	SnPC8
	-	-	-	-	R/W	R/W	R/W	R/W

0F0H~0FFH	Bit 7	Bit 6	Bit 5	Bit 4	Bit 3	Bit 2	Bit 1	Bit 0
<b>STKnL</b>	SnPC7	SnPC6	SnPC5	SnPC4	SnPC3	SnPC2	SnPC1	SnPC0
	R/W	R/W	R/W	R/W	R/W	R/W	R/W	R/W

STKnH: Store PCH data as interrupt or call executing. The n expressed 0 ~7.

STKnL: Store PCL data as interrupt or call executing. The n expressed 0 ~7.

## STACK OPERATION EXAMPLE

The two kinds of Stack-Save operations to reference the stack pointer (STKP) and write the program counter contents (PC) into the stack buffer are CALL instruction and interrupt service. Under each condition, the STKP is decremented and points to the next available stack location. The stack buffer stores the program counter about the op-code address. The Stack-Save operation is as following table.

Stack Level	STKP Register				Stack Buffer		Description
	STKPB3	STKPB2	STKPB1	STKPB0	High Byte	Low Byte	
0	1	1	1	1	STK0H	STK0L	-
1	1	1	1	0	STK1H	STK1L	-
2	1	1	0	1	STK2H	STK2L	-
3	1	1	0	0	STK3H	STK3L	-
4	1	0	1	1	STK4H	STK4L	-
5	1	0	1	0	STK5H	STK5L	-
6	1	0	0	1	STK6H	STK6L	-
7	1	0	0	0	STK7H	STK7L	-
>8	-	-	-	-	-	-	Stack Overflow

Table 3-1. STKP, STKnH and STKnL relative of Stack-Save Operation

There is a Stack-Restore operation corresponding each push operation to restore the program counter (PC). The RETI instruction is for interrupt service routine. The RET instruction is for CALL instruction. When a Stack-Restore operation occurs, the STKP is incremented and points to the next free stack location. The stack buffer restores the last program counter (PC) to the program counter registers. The Stack-Restore operation is as following table.

Stack Level	STKP Register				Stack Buffer		Description
	STKPB3	STKPB2	STKPB1	STKPB0	High Byte	Low Byte	
7	1	0	0	0	STK7H	STK7L	-
6	1	0	0	1	STK6H	STK6L	-
5	1	0	1	0	STK5H	STK5L	-
4	1	0	1	1	STK4H	STK4L	-
3	1	1	0	0	STK3H	STK3L	-
2	1	1	0	1	STK2H	STK2L	-
1	1	1	1	0	STK1H	STK1L	-
0	1	1	1	1	STK0H	STK0L	-

Table 3-2. STKP, STKnH and STKnL relative of Stack-Restore Operation

## PROGRAM COUNTER

The program counter (PC) is a 12-bit binary counter separated into the high-byte 4 bits and the low-byte 8 bits. This counter is responsible for pointing a location in order to fetch an instruction for kernel circuit. Normally, the program counter is automatically incremented with each instruction during program execution.

Besides, it can be replaced with specific address by executing CALL or JMP instruction. When JMP or CALL instruction is executed, the destination address will be inserted to bit 0 ~ bit 11.

**PC Initial value = xxxx 0000 0000 0000**

	Bit 15	Bit 14	Bit 13	Bit 12	Bit 11	Bit 10	Bit 9	Bit 8	Bit 7	Bit 6	Bit 5	Bit 4	Bit 3	Bit 2	Bit 1	Bit 0
<b>PC</b>	-	-	-	-	0	0	0	0	0	0	0	0	0	0	0	0
	PCH								PCL							

**PCH Initial value = xxxx 0000**

0CFH	Bit 7	Bit 6	Bit 5	Bit 4	Bit 3	Bit 2	Bit 1	Bit 0
<b>PCH</b>	-	-	-	-	PC11	PC10	PC9	PC8
	-	-	-	-	R/W	R/W	R/W	R/W

**PCL Initial value = 0000 0000**

0CEH	Bit 7	Bit 6	Bit 5	Bit 4	Bit 3	Bit 2	Bit 1	Bit 0
<b>PCL</b>	PC7	PC6	PC5	PC4	PC3	PC2	PC1	PC0
	R/W	R/W	R/W	R/W	R/W	R/W	R/W	R/W

## ONE ADDRESS SKIPPING

There are 9 instructions (CMPRS, INCS, INCMS, DECS, DECMS, BTS0, BTS1, B0BTS0, B0BTS1) with one address skipping function. If the result of these instructions is matched, the PC will add 2 steps to skip next instruction.

*If the condition of bit test instruction is matched, the PC will add 2 steps to skip next instruction.*

```

                B0BTS1   FC           ; Skip next instruction, if Carry_flag = 1
                JMP     C0STEP      ; Else jump to C0STEP.
C0STEP:        .
                B0MOV   A, BUF0     ; Move BUF0 value to ACC.
                B0BTS0   FZ           ; Skip next instruction, if Zero flag = 0.
                JMP     C1STEP      ; Else jump to C1STEP.
C1STEP:        .
                NOP

```

*If the ACC is equal to the immediate data or memory, the PC will add 2 steps to skip next instruction.*

```

                CMPRS   A, #12H     ; Skip next instruction, if ACC = 12H.
                JMP     C0STEP      ; Else jump to C0STEP.
C0STEP:        .
                NOP

```

*If the result after increasing or decreasing by 1 is 0xFF or 0x00, the PC will add 2 steps to skip next instruction.*

**INCS instruction:**

```

                INCS     BUF0
                JMP     C0STEP      ; Jump to C0STEP if ACC is not zero.
C0STEP:        ...
                NOP

```

**INCMS instruction:**

```

                INCMS   BUF0
                JMP     C0STEP      ; Jump to C0STEP if BUF0 is not zero.
C0STEP:        ...
                NOP

```

**DECS instruction:**

```

                DECS     BUF0
                JMP     C0STEP      ; Jump to C0STEP if ACC is not zero.
C0STEP:        ...
                NOP

```

**DECMS instruction:**

```

                DECMS   BUF0
                JMP     C0STEP      ; Jump to C0STEP if BUF0 is not zero.
C0STEP:        ...
                NOP

```

## MULTI-ADDRESS JUMPING

Users can jump round multi-address by either JMP instruction or ADD M, A instruction (M = PCL) to activate multi-address jumping function. If carry signal occurs after execution of ADD PCL, A, the carry signal will not affect PCH register.

⇒ Example: If PC = 0323H (PCH = 03H, PCL = 23H)

```
; PC = 0323H
MOV      A, #28H
B0MOV   PCL, A           ; Jump to address 0328H
.
.
; PC = 0328H
MOV      A, #00H
B0MOV   PCL, A           ; Jump to address 0300H
```

⇒ Example: If PC = 0323H (PCH = 03H, PCL = 23H)

```
; PC = 0323H
B0ADD   PCL, A           ; PCL = PCL + ACC, the PCH cannot be changed.
JMP     A0POINT         ; If ACC = 0, jump to A0POINT
JMP     A1POINT         ; ACC = 1, jump to A1POINT
JMP     A2POINT         ; ACC = 2, jump to A2POINT
JMP     A3POINT         ; ACC = 3, jump to A3POINT
.
.
;
```

# 4 ADDRESSING MODE

## OVERVIEW

The SN8P1700 provides three addressing modes to access RAM data, including immediate addressing mode, directly addressing mode and indirectly address mode. The main purpose of the three different modes is described in the following:

### IMMEDIATE ADDRESSING MODE

The immediate addressing mode uses an immediate data to set up the location (MOV A, #I, B0MOV M,#I) in ACC or specific RAM.

#### *Immediate addressing mode*

```
MOV      A, #12H      ; To set an immediate data 12H into ACC
```

### DIRECTLY ADDRESSING MODE

The directly addressing mode uses address number to access memory location (MOV A,12H, B0MOV 12H,A).

#### *Directly addressing mode*

```
B0MOV   A, 12H      ; To get a content of location 12H of bank 0 and save in ACC
```

### INDIRECTLY ADDRESSING MODE

The indirectly addressing mode is to set up an address in data pointer registers (Y/Z) and uses MOV instruction to read/write data between ACC and @YZ register (MOV A,@YZ, B0MOV @YZ,A).

#### ➔ Example: Indirectly addressing mode with @YZ register

```
CLR      Y           ; To clear Y register to access RAM bank 0.
B0MOV   Z, #12H     ; To set an immediate data 12H into Z register.
B0MOV   A, @YZ      ; Use data pointer @YZ reads a data from RAM location
                   ; 012H into ACC.

MOV     A, #01H     ; To set Y = 1 for accessing RAM bank 1.
B0MOV   Y, A        ; To set an immediate data 12H into Z register.
B0MOV   Z, #12H     ; Use data pointer @YZ reads a data from RAM location
B0MOV   A, @YZ      ; 012H into ACC.

MOV     A, #0FH     ; To set Y = 15 for accessing RAM bank 15.
B0MOV   Y, A        ; To set an immediate data 12H into Z register.
B0MOV   Z, #12H     ; Use data pointer @YZ reads a data from RAM location
B0MOV   A, @YZ      ; 012H into ACC.
```

## TO ACCESS DATA in RAM BANK 0

In the RAM bank 0, this area memory can be read/written by these three access methods.

⇒ **Example 1: To use RAM bank0 dedicate instruction (Such as B0xxx instruction).**

```
B0MOV    A, 12H           ; To move content from location 12H of RAM bank 0 to ACC
```

⇒ **Example 2: To use directly addressing mode (Through RBANK register).**

```
B0MOV    RBANK, #00H     ; To set RAM bank = 0
MOV      A, 12H          ; To move content from location 12H of RAM bank 0 to ACC
```

⇒ **Example 3: To use indirectly addressing mode with @YZ register.**

```
CLR      Y               ; To clear Y register for accessing RAM bank 0.
B0MOV    Z, #12H        ; To set an immediate data 12H into Z register.
B0MOV    A, @YZ         ; Use data pointer @YZ reads a data from RAM location
                        ; 012H into ACC.
```

## TO ACCESS DATA in RAM BANK 1

In the RAM bank 1, this area memory can be read/written by these two access methods.

⇒ **Example 1: To use directly addressing mode (Through RBANK register).**

```
B0MOV    RBANK, #01H     ; To set RAM bank = 1
MOV      A, 12H          ; To move content from location 12H of RAM bank 0 to ACC
```

⇒ **Example 2: To use indirectly addressing mode with @YZ register.**

```
MOV      A, #01H        ; To set Y = 1 for accessing RAM bank 1.
B0MOV    Y, A
B0MOV    Z, #12H        ; To set an immediate data 12H into Z register.
B0MOV    A, @YZ         ; Use data pointer @YZ reads a data from RAM location
                        ; 012H into ACC.
```



# 5 SYSTEM REGISTER

## OVERVIEW

The system special register is located at 80h~FFh. The main purpose of system registers is to control the peripheral hardware of the chip. Using system registers can control I/O ports, SIO, ADC, PWM, timers and counters by programming. The Memory map provides an easy and quick reference source for writing application program. To accessing these system registers is controlled by the select memory bank (RBANK = 0) or the bank 0 read/write instruction (B0MOV, B0BSET, B0BCLR...).

## SYSTEM REGISTER ARRANGEMENT (BANK 0)

### BYTES of SYSTEM REGISTER

SN8P1702

	0	1	2	3	4	5	6	7	8	9	A	B	C	D	E	F
8	-	-	R	Z	Y	-	PFLAG	-	-	-	-	-	-	-	-	-
9	-	-	-	-	-	-	-	-	-	-	-	-	-	-	-	-
A	-	-	-	-	-	-	-	-	-	-	-	-	-	-	-	-
B	-	ADM	ADB	ADR	-	-	-	-	-	-	-	-	-	-	-	-
C	P1W	P1M	-	-	P4M	P5M	-	-	INTRQ	INTEN	OSCM	-	-	TC0R	PCL	PCH
D	P0	P1	-	-	P4	P5	-	-	-	-	TC0M	TC0C	-	-	-	STKP
E	-	-	-	-	-	-	-	@YZ	-	-	-	-	-	-	-	-
F	STK7	STK7	STK6	STK6	STK5	STK5	STK4	STK4	STK3	STK3	STK2	STK2	STK1	STK1	STK0	STK0

Table 5-1. System Register Arrangement of SN8P1702

SN8P1704

	0	1	2	3	4	5	6	7	8	9	A	B	C	D	E	F
8	-	-	R	Z	Y	-	PFLAG	-	-	-	-	-	-	-	-	-
9	-	-	-	-	-	-	-	-	-	-	-	-	-	-	-	-
A	-	-	-	-	-	-	-	-	-	-	-	-	-	-	-	-
B	DAM	ADM	ADB	ADR	SIOM	SIOR	SIOB	-	-	-	-	-	-	-	-	-
C	P1W	P1M	-	-	P4M	P5M	-	-	INTRQ	INTEN	OSCM	-	-	TC0R	PCL	PCH
D	P0	P1	-	-	P4	P5	-	-	-	-	TC0M	TC0C	TC1M	TC1C	TC1R	STKP
E	-	-	-	-	-	-	-	@YZ	-	-	-	-	-	-	-	-
F	STK7	STK7	STK6	STK6	STK5	STK5	STK4	STK4	STK3	STK3	STK2	STK2	STK1	STK1	STK0	STK0

Table 5-2. System Register Arrangement of SN8P1704

SN8P1706/SN8P1707/SN8P1708

	0	1	2	3	4	5	6	7	8	9	A	B	C	D	E	F
8	L	H	R	Z	Y	X	PFLAG	RBANK	-	-	-	-	-	-	-	-
9	-	-	-	-	-	-	-	-	-	-	-	-	-	-	-	-
A	-	-	-	-	-	-	-	-	-	-	-	-	-	-	-	-
B	DAM	ADM	ADB	ADR	SIOM	SIOR	SIOB	-	-	-	-	-	-	-	-	-
C	P1W	P1M	P2M	-	P4M	P5M	-	-	INTRQ	INTEN	OSCM	-	-	TC0R	PCL	PCH
D	P0	P1	P2	-	P4	P5	-	-	T0M	T0C	TC0M	TC0C	TC1M	TC1C	TC1R	STKP
E	-	-	-	-	-	-	@HL	@YZ	-	-	-	-	-	-	-	-
F	STK7L	STK7H	STK6L	STK6H	STK5L	STK5H	STK4L	STK4H	STK3L	STK3H	STK2L	STK2H	STK1L	STK1H	STK0L	STK0H

**Table 5-3. System Register Arrangement of SN8P1706/SN8P1707/SN8P1708**

**Description**

<p>L, H = Working &amp; @HL addressing register.                  X = Working and ROM address register.                  PFLAG = ROM page and special flag register.                  DAM = DAC's mode register.                  ADB = ADC's data buffer.                  SIOM = SIO mode control register.                  SIOB = SIO's data buffer.                  PnM = Port n input/output mode register.                  INTRQ = Interrupts' request register.                  OSCM = Oscillator mode register.                  T0M = Timer 0 mode register.                  T0C = Timer 0 counting register.                  TC1M = Timer/Counter 1 mode register.                  TC1C = Timer/Counter 1 counting register.                  STKP = Stack pointer buffer.                  @HL = RAM HL indirect addressing index pointer.</p>	<p>R = Working register and ROM lookup data buffer.                  Y, Z = Working, @YZ and ROM addressing register.                  RBANK = RAM Bank Select register.                  ADM = ADC's mode register.                  ADR = ADC's resolution selects register.                  SIOR = SIO's clock reload buffer.                  P1W = Port 1 wakeup register.                  Pn = Port n data buffer.                  INTEN = Interrupts' enable register.                  PCH, PCL = Program counter.                  TC0M = Timer/Counter 0 mode register.                  TC0C = Timer/Counter 0 counting register.                  TC0R = Timer/Counter 0 auto-reload data buffer.                  TC1R = Timer/Counter 1 auto-reload data buffer.                  STK0~STK7 = Stack 0 ~ stack 7 buffer.                  @YZ = RAM YZ indirect addressing index pointer.</p>
--	---

➤ **Note:**

- a). All of register names had been declared in SONiX 8-bit MCU assembler.
- b). One-bit name had been declared in SONiX 8-bit MCU assembler with "F" prefix code.
- c). It will get logic "H" data, when use instruction to check empty location.
- d). The low nibble of ADR register is read only.
- e). "b0bset", "b0bclr", "bset", "bclr" instructions only support "R/W" registers.

## BITS of SYSTEM REGISTER

**SN8P1702 System register table**

Address	Bit7	Bit6	Bit5	Bit4	Bit3	Bit2	Bit1	Bit0	R/W	Remarks
082H	RBIT7	RBIT6	RBIT5	RBIT4	RBIT3	RBIT2	RBIT1	RBIT0	R/W	R
083H	ZBIT7	ZBIT6	ZBIT5	ZBIT4	ZBIT3	ZBIT2	ZBIT1	ZBIT0	R/W	Z
084H	YBIT7	YBIT6	YBIT5	YBIT4	YBIT3	YBIT2	YBIT1	YBIT0	R/W	Y
086H	-	-	-	-	-	C	DC	Z	R/W	PFLAG
0B1H	ADENB	ADS	EOC	GCHS	-	0	CHS1	CHS0	R/W	ADM mode register
0B2H	ADB11	ADB10	ADB9	ADB8	ADB7	ADB6	ADB5	ADB4	R	ADB data buffer
0B3H	-	ADCKS	ADLEN	0	ADB3	ADB2	ADB1	ADB0	R/W	ADR register
0C0H	0	0	0	0	0	0	P11W	P10W	W	P1W wakeup register
0C1H	0	0	0	0	0	0	P11M	P10M	R/W	P1M I/O direction
0C4H	0	0	0	0	P43M	P42M	P41M	P40M	R/W	P4M I/O direction
0C5H	0	0	0	P54M	P53M	P52M	P51M	P50M	R/W	P5M I/O direction
0C8H	0	0	TC0IRQ	0	0	0	0	P00IRQ	R/W	INTRQ
0C9H	0	0	TC0IEN	0	0	0	0	P00IEN	R/W	INTEN
0CAH	0	WDRST	WDRate	0	CPUM0	CLKMD	STPHX	0	R/W	OSCM
0CDH	TC0R7	TC0R6	TC0R5	TC0R4	TC0R3	TC0R2	TC0R1	TC0R0	W	TC0R
0CEH	PC7	PC6	PC5	PC4	PC3	PC2	PC1	PC0	R/W	PCL
0CFH	-	-	-	-	-	PC10	PC9	PC8	R/W	PCH
0D0H	-	-	-	-	-	-	-	P00	R	P0 data buffer
0D1H	-	-	-	-	-	-	P11	P10	R/W	P1 data buffer
0D4H	-	-	-	-	P43	P42	P41	P40	R/W	P4 data buffer
0D5H	-	-	-	P54	P53	P52	P51	P50	R/W	P5 data buffer
0DAH	TC0ENB	TC0rate2	TC0rate1	TC0rate0	0	ALOAD0	TC0OUT	PWM0OUT	R/W	TC0M
0DBH	TC0C7	TC0C6	TC0C5	TC0C4	TC0C3	TC0C2	TC0C1	TC0C0	R/W	TC0C
0DFH	GIE	-	-	-	STKPB3	STKPB2	STKPB1	STKPB0	R/W	STKP stack pointer
0E7H	@YZ7	@YZ6	@YZ5	@YZ4	@YZ3	@YZ2	@YZ1	@YZ0	R/W	@YZ index pointer
0F0H	S7PC7	S7PC6	S7PC5	S7PC4	S7PC3	S7PC2	S7PC1	S7PC0	R/W	STK7L
0F1H	-	-	-	-	-	S7PC10	S7PC9	S7PC8	R/W	STK7H
0F2H	S6PC7	S6PC6	S6PC5	S6PC4	S6PC3	S6PC2	S6PC1	S6PC0	R/W	STK6L
0F3H	-	-	-	-	-	S6PC10	S6PC9	S6PC8	R/W	STK6H
"	"	"	"	"	"	"	"	"	"	"
"	"	"	"	"	"	"	"	"	"	"
"	"	"	"	"	"	"	"	"	"	"
0FCH	S1PC7	S1PC6	S1PC5	S1PC4	S1PC3	S1PC2	S1PC1	S1PC0	R/W	STK1L
0FDH	-	-	-	-	-	S1PC10	S1PC9	S1PC8	R/W	STK1H
0FEH	S0PC7	S0PC6	S0PC5	S0PC4	S0PC3	S0PC2	S0PC1	S0PC0	R/W	STK0L
0FFH	-	-	-	-	-	S0PC10	S0PC9	S0PC8	R/W	STK0H

**Table 5-4. Bit System Register Table of SN8P1702**

**Note:**

- a). To avoid system error, please be sure to put all the "0" as it indicates in the above table
- b). All of register name had been declared in SONiX 8-bit MCU assembler.
- c). One-bit name had been declared in SONiX 8-bit MCU assembler with "F" prefix code.
- d). "b0bset", "b0bclr", "bset", "bclr" instructions only support "R/W" registers.

**SN8P1704 System register table**

Address	Bit7	Bit6	Bit5	Bit4	Bit3	Bit2	Bit1	Bit0	R/W	Remarks
082H	RBIT7	RBIT6	RBIT5	RBIT4	RBIT3	RBIT2	RBIT1	RBIT0	R/W	R
083H	ZBIT7	ZBIT6	ZBIT5	ZBIT4	ZBIT3	ZBIT2	ZBIT1	ZBIT0	R/W	Z
084H	YBIT7	YBIT6	YBIT5	YBIT4	YBIT3	YBIT2	YBIT1	YBIT0	R/W	Y
086H	-	-	-	-	-	C	DC	Z	R/W	PFLAG
0B0H	DAENB	DAB6	DAB5	DAB4	DAB3	DAB2	DAB1	DAB0	R/W	DAM data register
0B1H	ADENB	ADS	EOC	GCHS	-	CHS2	CHS1	CHS0	R/W	ADM mode register
0B2H	ADB11	ADB10	ADB9	ADB8	ADB7	ADB6	ADB5	ADB4	R	ADB data buffer
0B3H	-	ADCKS	ADLEN	0	ADB3	ADB2	ADB1	ADB0	R/W	ADR register
0B4H	SENB	START	SRATE1	SRATE0	0	SCKMD	SEDGE	TXRX	R/W	SIOM mode register
0B5H	SIOR7	SIOR6	SIOR5	SIOR4	SIOR3	SIOR2	SIOR1	SIOR0	W	SIOR reload buffer
0B6H	SIOB7	SIOB6	SIOB5	SIOB4	SIOB3	SIOB2	SIOB1	SIOB0	R/W	SIOB data buffer
0C0H	0	0	0	P14W	P13W	P12W	P11W	P10W	W	P1W wakeup register
0C2H	0	0	0	0	0	0	0	0	R/W	P2M I/O direction
0C1H	0	0	0	P14M	P13M	P12M	P11M	P10M	R/W	P1M I/O direction
0C4H	0	0	0	P44M	P43M	P42M	P41M	P40M	R/W	P4M I/O direction
0C5H	0	0	0	P54M	P53M	P52M	P51M	P50M	R/W	P5M I/O direction
0C8H	0	TC1IRQ	TC0IRQ	0	SIOIRQ	P02IRQ	P01IRQ	P00IRQ	R/W	INTRQ
0C9H	0	TC1IEN	TC0IEN	0	SIOIEN	P02IEN	P01IEN	P00IEN	R/W	INTEN
0CAH	0	WDRST	WDRate	0	CPUM0	CLKMD	STPHX	0	R/W	OSCM
0CDH	TC0R7	TC0R6	TC0R5	TC0R4	TC0R3	TC0R2	TC0R1	TC0R0	W	TC0R
0CEH	PC7	PC6	PC5	PC4	PC3	PC2	PC1	PC0	R/W	PCL
0CFH	-	-	-	-	PC11	PC10	PC9	PC8	R/W	PCH
0D0H	-	-	-	-	-	P02	P01	P00	R	P0 data buffer
0D1H	-	-	-	P14	P13	P12	P11	P10	R/W	P1 data buffer
0D4H	-	-	-	P44	P43	P42	P41	P40	R/W	P4 data buffer
0D5H	-	-	-	P54	P53	P52	P51	P50	R/W	P5 data buffer
0DAH	TC0ENB	TC0rate2	TC0rate1	TC0rate0	0	ALOAD0	TC0OUT	PWM0OUT	R/W	TC0M
0DBH	TC0C7	TC0C6	TC0C5	TC0C4	TC0C3	TC0C2	TC0C1	TC0C0	R/W	TC0C
0DCH	TC1ENB	TC1rate2	TC1rate1	TC1rate0	0	ALOAD1	TC1OUT	PWM1OUT	R/W	TC1M
0DDH	TC1C7	TC1C6	TC1C5	TC1C4	TC1C3	TC1C2	TC1C1	TC1C0	R/W	TC1C
0DEH	TC1R7	TC1R6	TC1R5	TC1R4	TC1R3	TC1R2	TC1R1	TC1R0	W	TC1R
0DFH	GIE	-	-	-	STKPB3	STKPB2	STKPB1	STKPB0	R/W	STKP stack pointer
0E7H	@YZ7	@YZ6	@YZ5	@YZ4	@YZ3	@YZ2	@YZ1	@YZ0	R/W	@YZ index pointer
0F0H	S7PC7	S7PC6	S7PC5	S7PC4	S7PC3	S7PC2	S7PC1	S7PC0	R/W	STK7L
0F1H	-	-	-	-	S7PC11	S7PC10	S7PC9	S7PC8	R/W	STK7H
0F2H	S6PC7	S6PC6	S6PC5	S6PC4	S6PC3	S6PC2	S6PC1	S6PC0	R/W	STK6L
0F3H	-	-	-	-	S6PC11	S6PC10	S6PC9	S6PC8	R/W	STK6H
"	"	"	"	"	"	"	"	"	"	"
"	"	"	"	"	"	"	"	"	"	"
"	"	"	"	"	"	"	"	"	"	"
0FCH	S1PC7	S1PC6	S1PC5	S1PC4	S1PC3	S1PC2	S1PC1	S1PC0	R/W	STK1L
0FDH	-	-	-	-	S1PC11	S1PC10	S1PC9	S1PC8	R/W	STK1H
0FEH	S0PC7	S0PC6	S0PC5	S0PC4	S0PC3	S0PC2	S0PC1	S0PC0	R/W	STK0L
0FFH	-	-	-	-	S0PC11	S0PC10	S0PC9	S0PC8	R/W	STK0H

**Table 5-5. Bit System Register Table of SN8P1704**

**Note:**

- a). To avoid system error, please be sure to put all the "0" as it indicates in the above table
- b). All of register name had been declared in SONiX 8-bit MCU assembler.
- c). One-bit name had been declared in SONiX 8-bit MCU assembler with "F" prefix code.
- d). "b0bset", "b0bclr", "bset", "bclr" instructions only support "R/W" registers.
- e). For detail description please refer file of "System Register Quick Reference Table"

**SN8P1706 System register table**

Address	Bit7	Bit6	Bit5	Bit4	Bit3	Bit2	Bit1	Bit0	R/W	Remarks
080H	LBIT7	LBIT6	LBIT5	LBIT4	LBIT3	LBIT2	LBIT1	LBIT0	R/W	L
081H	HBIT7	HBIT6	HBIT5	HBIT4	HBIT3	HBIT2	HBIT1	HBIT0	R/W	H
082H	RBIT7	RBIT6	RBIT5	RBIT4	RBIT3	RBIT2	RBIT1	RBIT0	R/W	R
083H	ZBIT7	ZBIT6	ZBIT5	ZBIT4	ZBIT3	ZBIT2	ZBIT1	ZBIT0	R/W	Z
084H	YBIT7	YBIT6	YBIT5	YBIT4	YBIT3	YBIT2	YBIT1	YBIT0	R/W	Y
085H	XBIT7	XBIT6	XBIT5	XBIT4	XBIT3	XBIT2	XBIT1	XBIT0	R/W	X
086H	-	-	-	-	-	C	DC	Z	R/W	PFLAG
087H	-	-	-	-	-	-	-	RBNKS0	R/W	RBANK
0B0H	DAENB	DAB6	DAB5	DAB4	DAB3	DAB2	DAB1	DAB0	R/W	DAM data register
0B1H	ADENB	ADS	EOC	GCHS	-	CHS2	CHS1	CHS0	R/W	ADM mode register
0B2H	ADB11	ADB10	ADB9	ADB8	ADB7	ADB6	ADB5	ADB4	R	ADB data buffer
0B3H	-	ADCKS	ADLEN	0	ADB3	ADB2	ADB1	ADB0	R/W	ADR register
0B4H	SENB	START	SRATE1	SRATE0	0	SCKMD	SEDGE	TXRX	R/W	SIOM mode register
0B5H	SIOR7	SIOR6	SIOR5	SIOR4	SIOR3	SIOR2	SIOR1	SIOR0	W	SIOR reload buffer
0B6H	SIOB7	SIOB6	SIOB5	SIOB4	SIOB3	SIOB2	SIOB1	SIOB0	R/W	SIOB data buffer
0C0H	0	0	P15W	P14W	P13W	P12W	P11W	P10W	W	P1W wakeup register
0C1H	0	0	P15M	P14M	P13M	P12M	P11M	P10M	R/W	P1M I/O direction
0C2H	0	0	0	P24M	P23M	P22M	P21M	P20M	R/W	P2M I/O direction
0C4H	P47M	P46M	P45M	P44M	P43M	P42M	P41M	P40M	R/W	P4M I/O direction
0C5H	P57M	P56M	P55M	P54M	P53M	P52M	P51M	P50M	R/W	P5M I/O direction
0C8H	0	TC1IRQ	TC0IRQ	T0IRQ	SIOIRQ	P02IRQ	P01IRQ	P00IRQ	R/W	INTRQ
0C9H	0	TC1IEN	TC0IEN	T0IEN	SIOIEN	P02IEN	P01IEN	P00IEN	R/W	INTEN
0CAH	0	WDRST	Wdrate	0	CPUM0	CLKMD	STPHX	0	R/W	OSCM
0CDH	TC0R7	TC0R6	TC0R5	TC0R4	TC0R3	TC0R2	TC0R1	TC0R0	W	TC0R
0CEH	PC7	PC6	PC5	PC4	PC3	PC2	PC1	PC0	R/W	PCL
0CFH	-	-	-	-	PC11	PC10	PC9	PC8	R/W	PCH
0D0H	-	-	-	-	-	P02	P01	P00	R	P0 data buffer
0D1H	-	-	P15	P14	P13	P12	P11	P10	R/W	P1 data buffer
0D2H	-	-	-	P24	P23	P22	P21	P20	R/W	P2 data buffer
0D4H	P47	P46	P45	P44	P43	P42	P41	P40	R/W	P4 data buffer
0D5H	P57	P56	P55	P54	P53	P52	P51	P50	R/W	P5 data buffer
0D8H	T0ENB	T0rate2	T0rate1	T0rate0	0	0	0	0	R/W	T0M
0D9H	T0C7	T0C6	T0C5	T0C4	T0C3	T0C2	T0C1	T0C0	R/W	T0C
0DAH	TC0ENB	TC0rate2	TC0rate1	TC0rate0	0	ALOAD0	TC0OUT	PWM0OUT	R/W	TC0M
0DBH	TC0C7	TC0C6	TC0C5	TC0C4	TC0C3	TC0C2	TC0C1	TC0C0	R/W	TC0C
0DCH	TC1ENB	TC1rate2	TC1rate1	TC1rate0	0	ALOAD1	TC1OUT	PWM1OUT	R/W	TC1M
0DDH	TC1C7	TC1C6	TC1C5	TC1C4	TC1C3	TC1C2	TC1C1	TC1C0	R/W	TC1C
0DEH	TC1R7	TC1R6	TC1R5	TC1R4	TC1R3	TC1R2	TC1R1	TC1R0	W	TC1R
0DFH	GIE	-	-	-	STKPB3	STKPB2	STKPB1	STKPB0	R/W	STKP stack pointer
0E6H	@HL7	@HL6	@HL5	@HL4	@HL3	@HL2	@HL1	@HL0	R/W	@HL index pointer
0E7H	@YZ7	@YZ6	@YZ5	@YZ4	@YZ3	@YZ2	@YZ1	@YZ0	R/W	@YZ index pointer
0F0H	S7PC7	S7PC6	S7PC5	S7PC4	S7PC3	S7PC2	S7PC1	S7PC0	R/W	STK7L
0F1H	-	-	-	-	S7PC11	S7PC10	S7PC9	S7PC8	R/W	STK7H
0F2H	S6PC7	S6PC6	S6PC5	S6PC4	S6PC3	S6PC2	S6PC1	S6PC0	R/W	STK6L
0F3H	-	-	-	-	S6PC11	S6PC10	S6PC9	S6PC8	R/W	STK6H
"	"	"	"	"	"	"	"	"	"	"
"	"	"	"	"	"	"	"	"	"	"
0FCH	S1PC7	S1PC6	S1PC5	S1PC4	S1PC3	S1PC2	S1PC1	S1PC0	R/W	STK1L
0FDH	-	-	-	-	S1PC11	S1PC10	S1PC9	S1PC8	R/W	STK1H
0FEH	S0PC7	S0PC6	S0PC5	S0PC4	S0PC3	S0PC2	S0PC1	S0PC0	R/W	STK0L
0FFH	-	-	-	-	S0PC11	S0PC10	S0PC9	S0PC8	R/W	STK0H

**Table 5-6. Bit System Register Table of SN8P1706**
**Note:**

- To avoid system error, please be sure to put all the "0" as it indicates in the above table
- All of register name had been declared in SONiX 8-bit MCU assembler.
- One-bit name had been declared in SONiX 8-bit MCU assembler with "F" prefix code.
- "b0bset", "b0bclr", "bset", "bclr" instructions only support "R/W" registers.
- For detail description please refer file of "System Register Quick Reference Table"

**SN8P1707/ SN8P1708 System register table**

Address	Bit7	Bit6	Bit5	Bit4	Bit3	Bit2	Bit1	Bit0	R/W	Remarks
080H	LBIT7	LBIT6	LBIT5	LBIT4	LBIT3	LBIT2	LBIT1	LBIT0	R/W	L
081H	HBIT7	HBIT6	HBIT5	HBIT4	HBIT3	HBIT2	HBIT1	HBIT0	R/W	H
082H	RBIT7	RBIT6	RBIT5	RBIT4	RBIT3	RBIT2	RBIT1	RBIT0	R/W	R
083H	ZBIT7	ZBIT6	ZBIT5	ZBIT4	ZBIT3	ZBIT2	ZBIT1	ZBIT0	R/W	Z
084H	YBIT7	YBIT6	YBIT5	YBIT4	YBIT3	YBIT2	YBIT1	YBIT0	R/W	Y
085H	XBIT7	XBIT6	XBIT5	XBIT4	XBIT3	XBIT2	XBIT1	XBIT0	R/W	X
086H	-	-	-	-	-	C	DC	Z	R/W	PFLAG
087H	-	-	-	-	-	-	-	RBNKS0	R/W	RBANK
0B0H	DAENB	DAB6	DAB5	DAB4	DAB3	DAB2	DAB1	DAB0	R/W	DAM data register
0B1H	ADENB	ADS	EOC	GCHS	-	CHS2	CHS1	CHS0	R/W	ADM mode register
0B2H	ADB11	ADB10	ADB9	ADB8	ADB7	ADB6	ADB5	ADB4	R	ADB data buffer
0B3H	-	ADCKS	ADLEN	0	ADB3	ADB2	ADB1	ADB0	R/W	ADR register
0B4H	SENB	START	SRATE1	SRATE0	0	SCKMD	SEDGE	TXRX	R/W	SIOM mode register
0B5H	SIOR7	SIOR6	SIOR5	SIOR4	SIOR3	SIOR2	SIOR1	SIOR0	W	SIOR reload buffer
0B6H	SIOB7	SIOB6	SIOB5	SIOB4	SIOB3	SIOB2	SIOB1	SIOB0	R/W	SIOB data buffer
0C0H	0	0	P15W	P14W	P13W	P12W	P11W	P10W	W	P1W wakeup register
0C1H	0	0	P15M	P14M	P13M	P12M	P11M	P10M	R/W	P1M I/O direction
0C2H	P27M	P26M	P25M	P24M	P23M	P22M	P21M	P20M	R/W	P2M I/O direction
0C4H	P47M	P46M	P45M	P44M	P43M	P42M	P41M	P40M	R/W	P4M I/O direction
0C5H	P57M	P56M	P55M	P54M	P53M	P52M	P51M	P50M	R/W	P5M I/O direction
0C8H	0	TC1IRQ	TC0IRQ	T0IRQ	SIOIRQ	P02IRQ	P01IRQ	P00IRQ	R/W	INTRQ
0C9H	0	TC1IEN	TC0IEN	T0IEN	SIOIEN	P02IEN	P01IEN	P00IEN	R/W	INTEN
0CAH	0	WDRST	Wdrate	0	CPUM0	CLKMD	STPHX	0	R/W	OSCM
0CDH	TC0R7	TC0R6	TC0R5	TC0R4	TC0R3	TC0R2	TC0R1	TC0R0	W	TC0R
0CEH	PC7	PC6	PC5	PC4	PC3	PC2	PC1	PC0	R/W	PCL
0CFH	-	-	-	-	PC11	PC10	PC9	PC8	R/W	PCH
0D0H	-	-	-	-	-	P02	P01	P00	R	P0 data buffer
0D1H	-	-	P15	P14	P13	P12	P11	P10	R/W	P1 data buffer
0D2H	P27	P26	P25	P24	P23	P22	P21	P20	R/W	P2 data buffer
0D4H	P47	P46	P45	P44	P43	P42	P41	P40	R/W	P4 data buffer
0D5H	P57	P56	P55	P54	P53	P52	P51	P50	R/W	P5 data buffer
0D8H	T0ENB	T0rate2	T0rate1	T0rate0	0	0	0	0	R/W	T0M
0D9H	T0C7	T0C6	T0C5	T0C4	T0C3	T0C2	T0C1	T0C0	R/W	T0C
0DAH	TC0ENB	TC0rate2	TC0rate1	TC0rate0	0	ALOAD0	TC0OUT	PWM0OUT	R/W	TC0M
0DBH	TC0C7	TC0C6	TC0C5	TC0C4	TC0C3	TC0C2	TC0C1	TC0C0	R/W	TC0C
0DCH	TC1ENB	TC1rate2	TC1rate1	TC1rate0	0	ALOAD1	TC1OUT	PWM1OUT	R/W	TC1M
0DDH	TC1C7	TC1C6	TC1C5	TC1C4	TC1C3	TC1C2	TC1C1	TC1C0	R/W	TC1C
0DEH	TC1R7	TC1R6	TC1R5	TC1R4	TC1R3	TC1R2	TC1R1	TC1R0	W	TC1R
0DFH	GIE	-	-	-	STKPB3	STKPB2	STKPB1	STKPB0	R/W	STKP stack pointer
0E6H	@HL7	@HL6	@HL5	@HL4	@HL3	@HL2	@HL1	@HL0	R/W	@HL index pointer
0E7H	@YZ7	@YZ6	@YZ5	@YZ4	@YZ3	@YZ2	@YZ1	@YZ0	R/W	@YZ index pointer
0F0H	S7PC7	S7PC6	S7PC5	S7PC4	S7PC3	S7PC2	S7PC1	S7PC0	R/W	STK7L
0F1H	-	-	-	-	S7PC11	S7PC10	S7PC9	S7PC8	R/W	STK7H
0F2H	S6PC7	S6PC6	S6PC5	S6PC4	S6PC3	S6PC2	S6PC1	S6PC0	R/W	STK6L
0F3H	-	-	-	-	S6PC11	S6PC10	S6PC9	S6PC8	R/W	STK6H
"	"	"	"	"	"	"	"	"	"	"
"	"	"	"	"	"	"	"	"	"	"
0FCH	S1PC7	S1PC6	S1PC5	S1PC4	S1PC3	S1PC2	S1PC1	S1PC0	R/W	STK1L
0FDH	-	-	-	-	S1PC11	S1PC10	S1PC9	S1PC8	R/W	STK1H
0FEH	S0PC7	S0PC6	S0PC5	S0PC4	S0PC3	S0PC2	S0PC1	S0PC0	R/W	STK0L
0FFH	-	-	-	-	S0PC11	S0PC10	S0PC9	S0PC8	R/W	STK0H

**Table 5-7. Bit System Register Table of SN8P1707/ SN8P1708**
**Note:**

- To avoid system error, please be sure to put all the "0" as it indicates in the above table
- All of register name had been declared in SONiX 8-bit MCU assembler.
- One-bit name had been declared in SONiX 8-bit MCU assembler with "F" prefix code.
- "b0bset", "b0bclr", "bset", "bclr" instructions only support "R/W" registers.
- For detail description please refer file of "System Register Quick Reference Table"

# 6 POWER ON RESET

## OVERVIEW

SN8P1700 provides two system resets. One is external reset and the other is low voltage detector (LVD). The external reset is a simple RC circuit connecting to the reset pin. The low voltage detector (LVD) is built in internal circuit. When one of the reset devices occurs, the system will reset and the system registers become initial value. The timing diagram is as following.

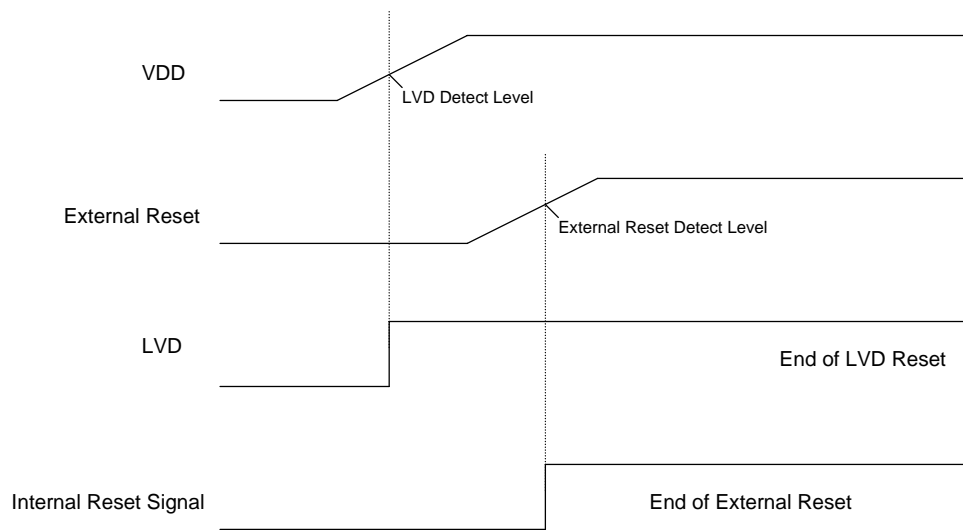


Figure 6-1 Power on Reset Timing Diagram

**Notice :** The working current of the LVD is about 100uA.

## EXTERNAL RESET DESCRIPTION

The external reset is a low level active device. The reset pin receives the low voltage and resets the system. When the voltage detects high level, it stops resetting the system. Users can use an external reset circuit to control system operation. It is necessary that the VDD must be stable.

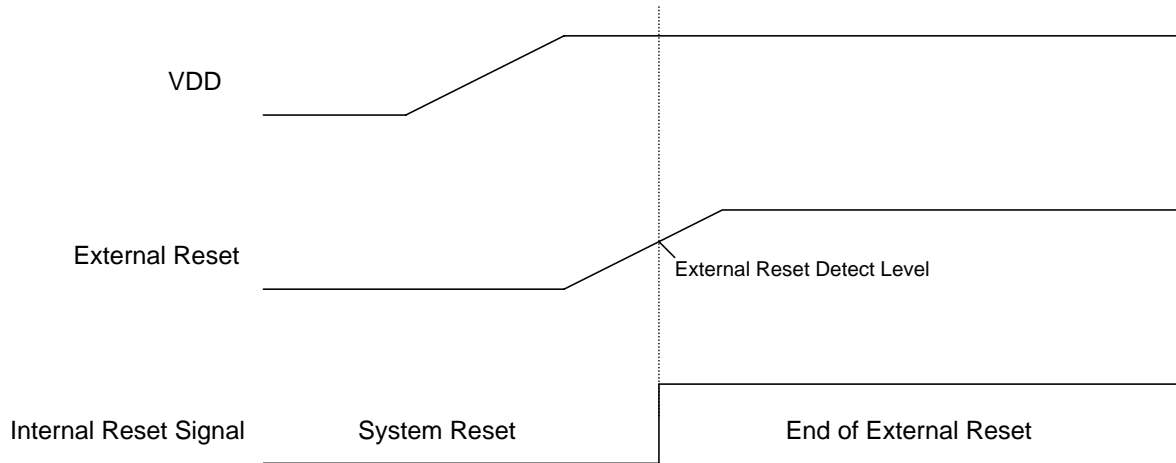


Figure 6-2 External Reset Timing Diagram

Users must be sure the VDD stable earlier than external reset (Figure 5-2) or the external reset will fail. The external reset circuit is a simple RC circuit as following.

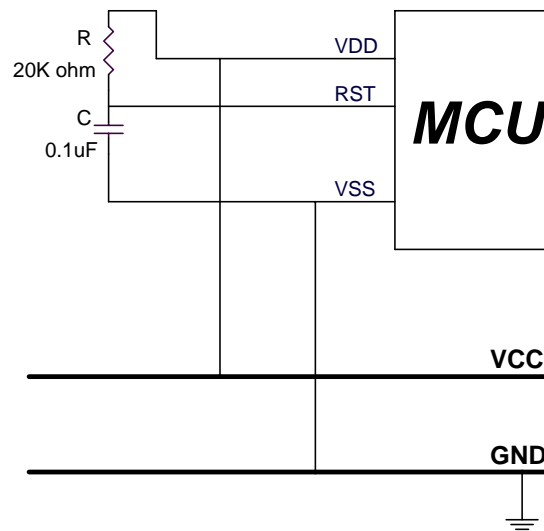
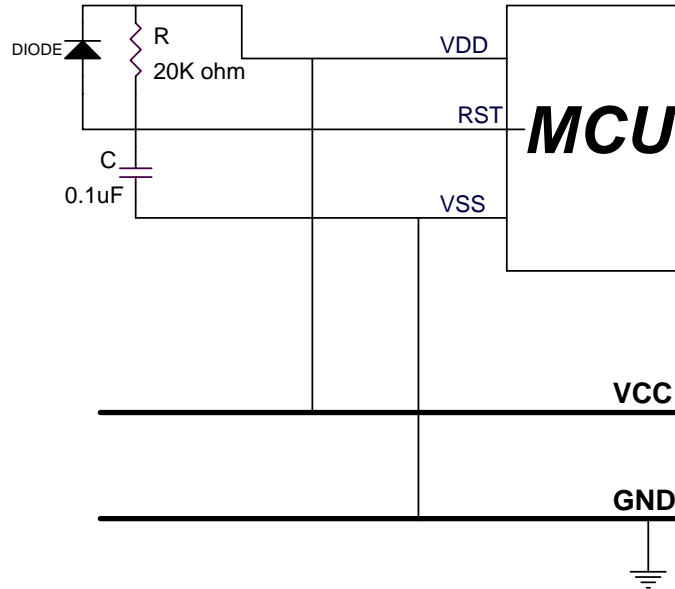


Figure 6-3. External Reset Circuit



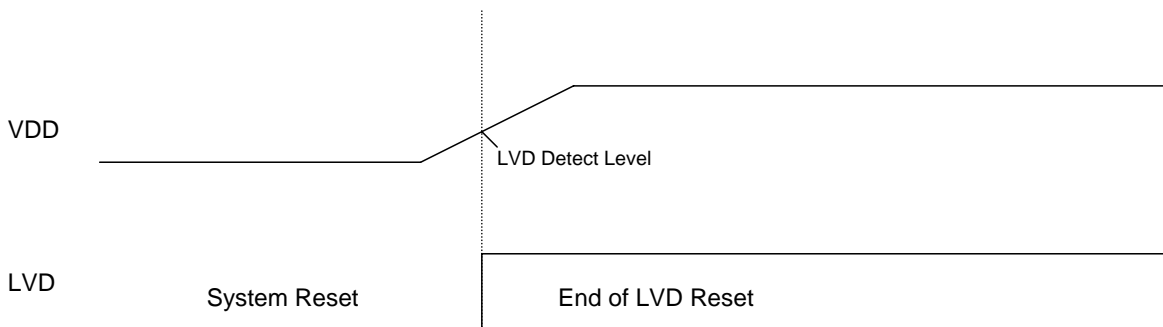
In worse-power condition as brown out reset. The reset pin may keep high level but the VDD is low voltage. That makes the system reset fail and chip error. To connect a diode from reset pin to VDD is a good solution. The circuit can force the capacitor to release electric charge and drop the voltage, and solve the error.



**Figure 6-4. External Reset Circuit with Diode**

## LOW VOLTAGE DETECTOR (LVD) DESCRIPTION

The LVD is a low voltage detector. It detects VDD level and reset the system as the VDD lower than the desired voltage. The detect level is 2.4V. If the VDD lower than 2.4V, the system resets. The LVD function is controlled by code option. Users can turn on it for special application like worse power condition. LVD work with external reset function. They are OR active.



**Figure 6-5. LVD Timing Diagram**

The LVD can protect system to work well under brownout reset. But it is a high consumptive circuit. In 3V condition, the LVD consumes about 100uA. It is a very large consumption for battery system. So the LVD supports AC system well.

➤ **Notice: LVD is selected by code option.**

# 7 OSCILLATORS

## OVERVIEW

The SN8P1700 highly performs the dual clock micro-controller system. The dual clocks are high-speed clock and low-speed clock. The high-speed clock frequency is supplied through the external oscillator circuit. The low-speed clock frequency is supplied through on-chip RC oscillator circuit.

The external high-speed clock and the internal low-speed clock can be system clock ( $F_{osc}$ ). And the system clock is divided by 4 to be the instruction cycle ( $F_{cpu}$ ).

$$F_{cpu} = F_{osc} / 4$$

The system clock is required by the following peripheral modules:

- ✓ **Basic timer (T0)**
- ✓ **Timer counter 0 (TC0)**
- ✓ **Timer counter 1 (TC1)**
- ✓ **Watchdog timer**
- ✓ **Serial I/O interface (SIO)**
- ✓ **AD converter**
- ✓ **PWM output (PWM0, PWM1)**
- ✓ **Buzzer output (TC0OUT, TC1OUT)**

## CLOCK BLOCK DIAGRAM

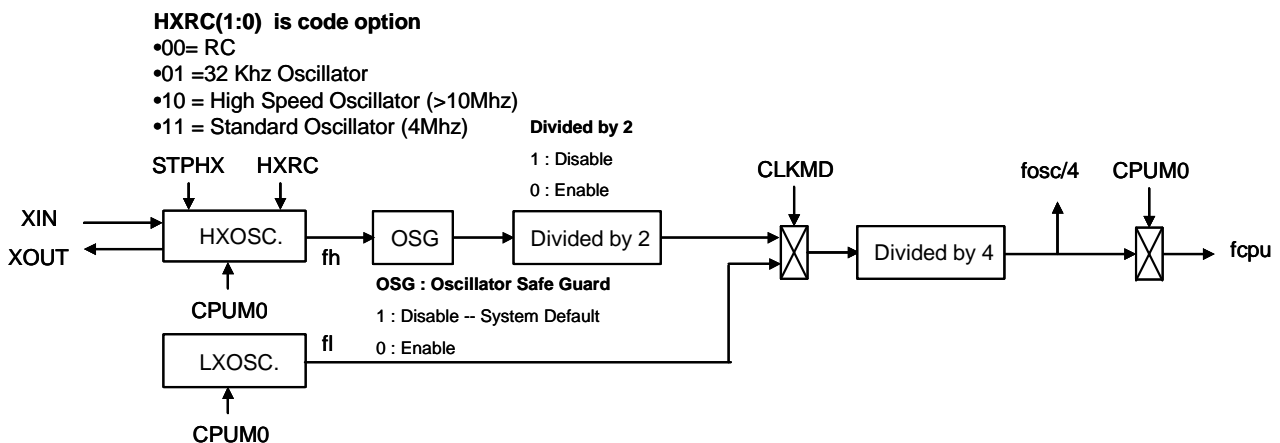


Figure 7-1. Clock Block Diagram

- HXOSC: External high-speed clock.
- LXOSC: Internal low-speed clock.
- OSG: Oscillator safe guard.

## OSCM REGISTER DESCRIPTION

The OSCM register is a oscillator control register. It can control oscillator select, system mode, watchdog timer clock source and rate.

**OSCM initial value = 000x 000x**

OCAH	Bit 7	Bit 6	Bit 5	Bit 4	Bit 3	Bit 2	Bit 1	Bit 0
<b>OSCM</b>	0	WDRST	Wdrate	0	CPUM0	CLKMD	STPHX	0
	-	R/W	R/W	-	R/W	R/W	R/W	-

STPHX: Eternal high-speed oscillator control bit. 0 = free run, 1 = stop. This bit just only controls external high-speed oscillator. If STPHX=1, the internal low-speed RC oscillator is still running.

CLKMD: System high/Low speed mode select bit. 0 = normal (dual) mode, 1 = slow mode.

CPUM0: CPU operating mode control bit. 0 = normal, 1 = sleep (power down) mode to turn off both high/low clock.

➤ **Notice: The bit 7 of OSCM register must be "0", or the system will be error.**

## EXTERNAL HIGH-SPEED OSCILLATOR

SN8P1700 can be operated in four different oscillator modes. There are external RC oscillator modes, high crystal/resonator mode (12M code option), standard crystal/resonator mode (4M code option) and low crystal mode (32K code option). For different application, the users can select one of suitable oscillator mode by programming code option to generate system high-speed clock source after reset.

⇒ **Example: Stop external high-speed oscillator.**

B0BSET    FSTPHX            ; To stop external high-speed oscillator only.

B0BSET    FCPUM0            ; To stop external high-speed oscillator and internal low-speed  
; oscillator called power down mode (sleep mode).

## OSCILLATOR MODE CODE OPTION

SN8P1700 has four oscillator modes for different applications. These modes are 4M, 12M, 32K and RC. The main purpose is to support different oscillator types and frequencies. High-speed crystal needs more current but the low one doesn't. For crystals, there are three steps to select. If the oscillator is RC type, to select "RC" and the system will divide the frequency by 2 automatically. User can select oscillator mode from Code Option table before compiling. The table is as follow.

Code Option	Oscillator Mode	Remark
00	RC mode	Output the Fcpu square wave from Xout pin.
01	32K	32768Hz
10	12M	12MHz ~ 16MHz
11	4M	3.58MHz

## OSCILLATOR DEVIDE BY 2 CODE OPTION

SN8P1700 has an external clock divide by 2 function. It is a code option called "High\_Clk / 2". If "High\_Clk / 2" is enabled, the external clock frequency is divided by 8 for the Fcpu. Fcpu is equal to Fosc/8. If "High\_Clk / 2" is disabled, the external clock frequency is divided by 4 for the Fcpu. The Fcpu is equal to Fosc/4.

➤ **Note: In RC mode, "High\_Clk / 2" is always enabled.**

## OSCILLATOR SAFE GUARD CODE OPTION

SN8P1700 builds in an oscillator safe guard (OSG) to make oscillator more stable. It is a low-pass filter circuit and stops high frequency noise into system from external oscillator circuit. This function makes system to work better under AC noisy conditions.

## SYSTEM OSCILLATOR CIRCUITS

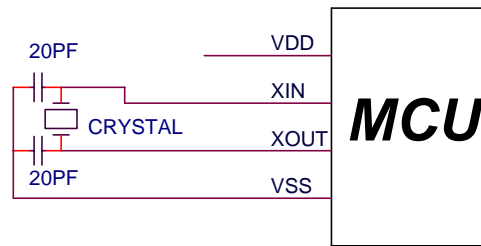


Figure 7-2. Crystal/Ceramic Oscillator

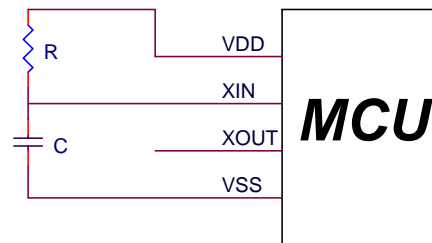


Figure 7-3. RC Oscillator

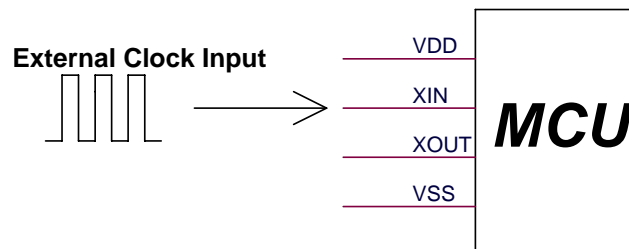


Figure 7-4. External clock input

- **Note1:** The VDD and VSS of external oscillator circuit must be from the micro-controller. Don't connect them from the neighbor power terminal.
- **Note2:** The external clock input mode can select RC type oscillator or crystal type oscillator of the code option and input the external clock into XIN pin.
- **Note3:** In RC type oscillator code option situation, the external clock's frequency is divided by 2.
- **Note4:** The power and ground of external oscillator circuit must be connected from the micro-controller's VDD and VSS. It is necessary to step up the performance of the whole system.

## External RC Oscillator Frequency Measurement

There are two ways to get the Fosc frequency of external RC oscillator. One measures the XOUT output waveform. Under external RC oscillator mode, the XOUT outputs the square waveform whose frequency is Fcpu. The other measures the external RC frequency by instruction cycle (Fcpu). The external RC frequency is the Fcpu multiplied by 4. We can get the Fosc frequency of external RC from the Fcpu frequency. The sub-routine to get Fcpu frequency of external oscillator is as the following.

➔ Example: Fcpu instruction cycle of external oscillator

```
BOBSET    P1M.0        ; Set P1.0 to be output mode for outputting Fcpu toggle
                                signal.
```

@ @:

```
BOBSET    P1.0        ; Output Fcpu toggle signal in low-speed clock mode.
BOBCLR    P1.0        ; Measure the Fcpu frequency by oscilloscope.
JMP       @B
```

## INTERNAL LOW-SPEED OSCILLATOR

The internal low-speed oscillator is built in the micro-controller. The low-speed clock's source is a RC type oscillator circuit. The low-speed clock can supplies clock for system clock, timer counter, watchdog timer, SIO clock source and so on.

➔ **Example: Stop internal low-speed oscillator.**

```
B0BSET    FCPUM0          ; To stop external high-speed oscillator and internal low-speed
                                ; oscillator called power down mode (sleep mode).
```

➤ **Note: The internal low-speed clock can't be turned off individually. It is controlled by CPUM0 bit of OSCM register.**

The low-speed oscillator uses RC type oscillator circuit. The frequency is affected by the voltage and temperature of the system. In common condition, the frequency of the RC oscillator is about 16KHz at 3V and 32KHz at 5V. The relative between the RC frequency and voltage is as following.

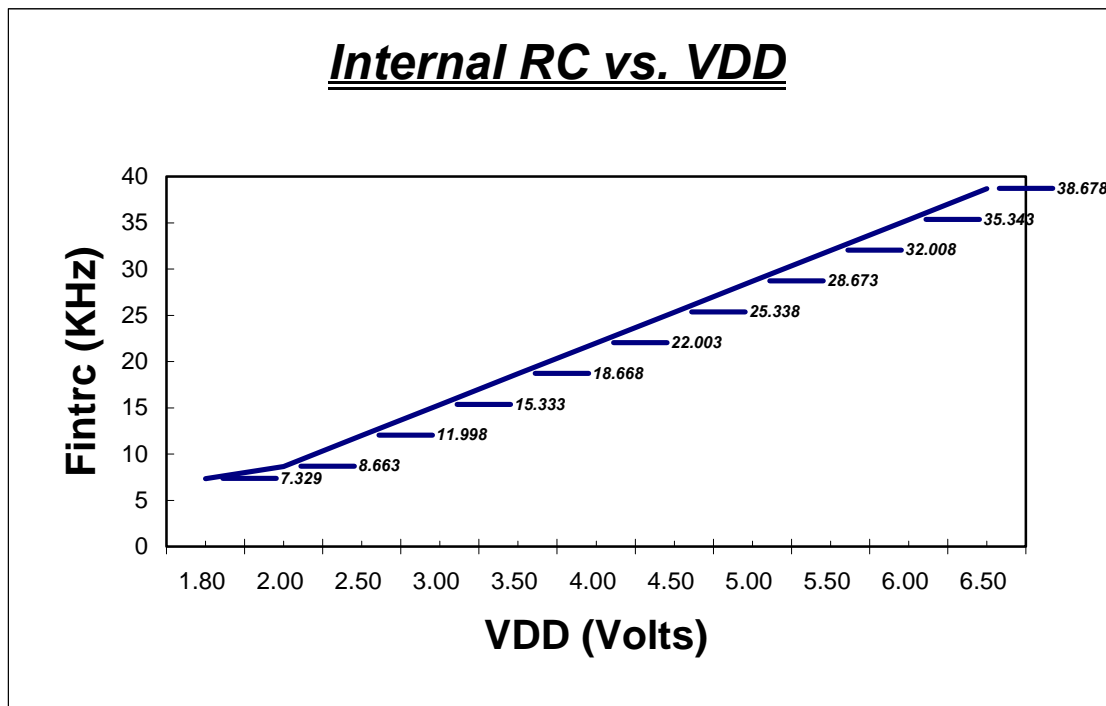


Figure 7-5. Internal RC vs. VDD Diagram

➔ **Example: To measure the internal RC frequency is by instruction cycle (Fcpu). The internal RC frequency is the Fcpu multiplied by 4. So we can get the Fosc frequency of internal RC from the Fcpu frequency.**

```
B0BSET    P1M.0          ; Set P1.0 to be output mode for outputting Fcpu toggle signal.
```

```
B0BSET    FCLKMD         ; Switch the system clock to internal low-speed clock mode.
```

@@:

```
B0BSET    P1.0           ; Output Fcpu toggle signal in low-speed clock mode.
```

```
B0BCLR    P1.0           ; Measure the Fcpu frequency by oscilloscope.
```

```
JMP      @B
```

## SYSTEM MODE DESCRIPTION

### OVERVIEW

The chip is featured with low power consumption by switching around three different modes as following.

- High-speed mode
- Low-speed mode
- Power-down mode (Sleep mode)

In actual application, the user can adjust the chip's controller to work in these three modes by using OSCM register. At the high-speed mode, the instruction cycle ( $F_{cpu}$ ) is  $F_{osc}/4$ . At the low-speed mode and 3V, the  $F_{cpu}$  is 16KHz/4.

### NORMAL MODE

In normal mode, the system clock source is external high-speed clock. After power on, the system works under normal mode. The instruction cycle is  $f_{osc}/4$ . When the external high-speed oscillator is 3.58MHz, the instruction cycle is  $3.58\text{MHz}/4 = 895\text{KHz}$ . All software and hardware are executed and working. In normal mode, system can get into power down mode and slow mode.

### SLOW MODE

In slow mode, the system clock source is internal low-speed RC clock. To set  $CLKMD = 1$ , the system switch to slow mode. In slow mode, the system works as normal mode but the slower clock. The system in slow mode can get into normal mode and power down mode. To set  $STPHX = 1$  to stop the external high-speed oscillator, and then the system consumes less power.

### POWER DOWN MODE

The power down mode is also called sleep mode. The chip stops working as sleeping status. The power consumption is very less almost to zero. The power down mode is usually applied to low power consuming system as battery power productions. To set  $CUPM0 = 1$ , the system gets into power down mode. The external high-speed and low-speed oscillators are turned off. The system can be waked up by P0, P1 trigger signal.



# SYSTEM MODE CONTROL

## SN8P1700 SYSTEM MODE BLOCK DIAGRAM

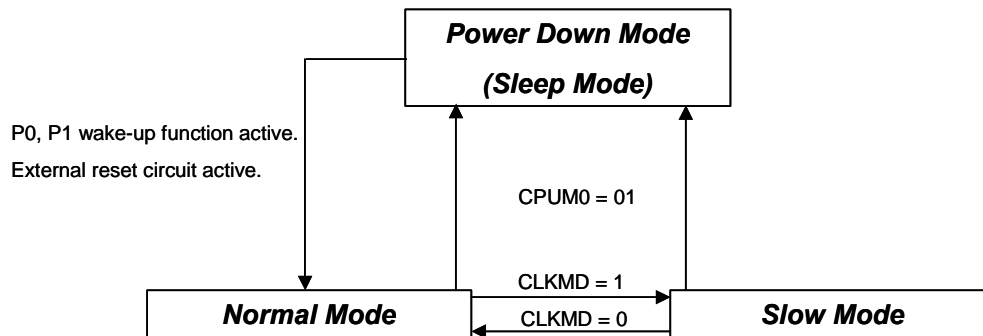


Figure 7-6. SN8P1700 System Mode Block Diagram

### Operating mode description

MODE	NORMAL	SLOW	POWER DOWN (SLEEP)	REMARK
HX osc.	Running	By STPHX	Stop	
LX osc.	Running	Running	Stop	
CPU instruction	Executing	Executing	Stop	
T0 timer	*Active	*Active	Inactive	* Active by programm.
TC0 timer	*Active	*Active	Inactive	
TC1 timer	*Active	*Active	Inactive	
Watchdog timer	Active	Active	Inactive	
Internal interrupt	All active	All active	All inactive	
External interrupt	All active	All active	All inactive	
Wakeup source	-	-	P0, P1, Reset	

Table 7-1. Operating Mode Description

## SYSTEM MODE SWITCHING

**Switch normal/slow mode to power down (sleep) mode.**

**CPUM0 = 1**

```

BOBSET      FCPUM0      ; set the system into power down mode.

```

During the sleep, only the wakeup pin and reset can wakeup the system back to the normal mode.

**Switch normal mode to slow mode.**

```

BOBSET      FCLKMD      ;To set CLKMD = 1, Change the system into slow mode
BOBSET      FSTPHX      ;To stop external high-speed oscillator for power saving.

```

**Switch slow mode to normal mode**

If external high clock stop and program want to switch back normal mode. It is necessary to delay at least 10mS for external clock stable.

```

BOBCLR      FSTPHX      ; Turn on the external high-speed oscillator.

BOMOV       Z, #27      ; If VDD = 5V, internal RC=32KHz (typical) will delay
DECMS       Z           ; 0.125ms X 81 = 10.125ms for external clock stable
JMP         @B

BOBCLR      FCLKMD      ; Change the system back to the normal mode

```

## WAKEUP TIME

### OVERVIEW

The external high-speed oscillator needs a delay time from stopping to operating. The delay is very necessary and makes the oscillator to work stably. Some conditions during system operating, the external high-speed oscillator often runs and stops. Under these condition, the delay time for external high-speed oscillator restart is called wakeup time.

There are two conditions need wakeup time. One is power down mode to normal mode. The other one is slow mode to normal mode. For the first case, SN8P1700 provides 2048 oscillator clocks to be the wakeup time. But in the last case, users need to make the wakeup time by themselves.

### HARDWARE WAKEUP

When the system is in power down mode (sleep mode), the external high-speed oscillator stops. For wakeup into normal, SN8P1700 provides 2048 external high-speed oscillator clocks to be the wakeup time for warming up the oscillator circuit. After the wakeup time, the system goes into the normal mode. The value of the wakeup time is as following.

$$\text{The wakeup time} = 1/F_{osc} * 2048 \text{ (sec)}$$

➤ **Example:** In power down mode (sleep mode), the system is waked up by P0 or P1 trigger signal. After the wakeup time, the system goes into normal mode. The wakeup time of P0, P1 wakeup function is as following.

$$\text{The wakeup time} = 1/F_{osc} * 2048 = 0.57 \text{ ms} \quad (F_{osc} = 3.58\text{MHz})$$

$$\text{The wakeup time} = 1/F_{osc} * 2048 = 62.5 \text{ ms} \quad (F_{osc}=32768\text{Hz})$$

Under power down mode (sleep mode), there are only I/O ports with wakeup function making the system to return normal mode. The Port 0 and Port 1 have wakeup function. Port 0's wakeup function always enables. The Port 1 controls by the P1W register.

**P1W initial value = xx00 0000**

0C0H	Bit 7	Bit 6	Bit 5	Bit 4	Bit 3	Bit 2	Bit 1	Bit 0
<b>P1W</b>	0	0	P15W	P14W	P13W	P12W	P11W	P10W
	-	-	W	W	W	W	W	W

P10W~P15W: Port 1 wakeup function control bits. 0 = none wakeup function, 1 = Enable each pin of Port 1 wakeup function.

➤ **Note:** For SN8P1702 the P1W register only obtains P10W and P11W. For SN8P1704 the P1W register only obtain P10W~P14W.

# 8 TIMERS COUNTERS

## WATCHDOG TIMER (WDT)

The watchdog timer (WDT) is a binary up counter designed for monitoring program execution. If the program get into the unknown status by noise interference, WDT's overflow signal will reset this chip and restart operation. The instruction that clear the watch-dog timer (BOBSET FWDRST) should be executed at proper points in a program within a given period. If an instruction that clears the watchdog timer is not executed within the period and the watchdog timer overflows, reset signal is generated and system is restarted with reset status. In order to generate different output timings, the user can control watchdog timer by modifying Wdtrate control bits of OSCM register. The watchdog timer will be disabled at green and power down modes.

**OSCM initial value = 0000 000x**

OCAH	Bit 7	Bit 6	Bit 5	Bit 4	Bit 3	Bit 2	Bit 1	Bit 0
<b>OSCM</b>	0	WDRST	Wdtrate	-	CPUM0	CLKMD	STPHX	-
	-	R/W	R/W	-	R/W	R/W	R/W	-

➤ **Notice: The bit 7 must be "0", or the system will be error.**

Wdtrate: Watchdog timer rate select bit. 0 = 14<sup>th</sup>, 1 = 8<sup>th</sup>.

WDRST : Watch dog timer reset bit. 0 = Non reset, 1 = clear the watchdog timer's counter.

Wdtrate	Watchdog timer overflow time	
	External high-speed oscillator	
0	$1 / ( f_{cpu} \div 2^{14} \div 16 ) = 293 \text{ ms}, F_{osc}=3.58\text{MHz}$	
	$1 / ( f_{cpu} \div 2^{14} \div 16 ) = 32 \text{ s}, F_{osc}=32768\text{Hz}$	
1	$1 / ( f_{cpu} \div 2^8 \div 16 ) = 4.5 \text{ ms}, F_{osc}=3.58\text{MHz}$	
	$1 / ( f_{cpu} \div 2^8 \div 16 ) = 500 \text{ ms}, F_{osc}=32768\text{Hz}$	

Figure 8-1. Watchdog timer overflow time table

➤ **Note: The watch dog timer can be enabled or disabled by the code option.**

⇒ **Example: An operation of watch-dog timer is as following. To clear the watchdog timer's counter in the top of the main routine of the program.**

```
Main:
      BOBSET      FWDRST          ; Clear the watchdog timer's counter.
      .
      CALL        SUB1
      CALL        SUB2
      .
      .
      .
      JMP        MAIN
```

## BASIC TIMER 0 (T0)

### OVERVIEW

The basic timer (T0) is an 8-bit binary up counter. It uses TOM register to select T0C's input clock for counting a precision time. If the T0 timer has occur an overflow (from FFH to 00H), it will continue counting and issue a time-out signal to trigger T0 interrupt to request interrupt service. The main purposes of the T0 basic timer is as following.

- **8-bit programmable timer:** Generates interrupts at specific time intervals based on the selected clock frequency.

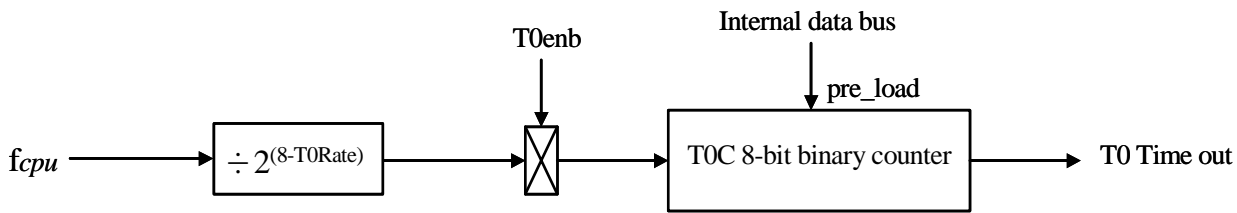


Figure 8-2. Basic Timer T0 Block Diagram

### T0M REGISTER DESCRIPTION

The T0M is the basic timer mode register which is a 8-bit read/write register and only used the high nibble. By loading different value into the T0M register, users can modify the basic timer clock dynamically as program executing.

Eight rates for T0 timer can be selected by T0RATE0 ~ T0RATE2 bits. The range is from  $f_{cpu}/2$  to  $f_{cpu}/256$ . The T0M initial value is zero and the rate is  $f_{cpu}/256$ . The bit7 of T0M called T0ENB is the control bit to start T0 timer. The combination of these bits is to determine the T0 timer clock frequency and the intervals.

**T0M initial value = 0000 xxxx**

0D8H	Bit 7	Bit 6	Bit 5	Bit 4	Bit 3	Bit 2	Bit 1	Bit 0
<b>T0M</b>	T0ENB	T0RATE2	T0RATE1	T0RATE0	0	0	0	0
	R/W	R/W	R/W	R/W	-	-	-	-

T0ENB: T0 timer control bit. 0 = disable, 1 = enable.

T0RATE2~T0RATE0: The T0 timer's clock source select bits. 000 =  $f_{cpu}/256$ , 001 =  $f_{cpu}/128$ , ... , 110 =  $f_{cpu}/4$ , 111 =  $f_{cpu}/2$ .

## T0C COUNTING REGISTER

T0C is an 8-bit counter register for the basic timer (T0). T0C must be reset whenever the T0ENB is set "1" to start the basic timer. T0C is incremented by one with every clock pulse which frequency is determined by T0RATE0 ~ T0RATE2. When T0C has incremented to "0FFH", it will be cleared to "00H" in next clock and an overflow generated. Under T0 interrupt service request (T0IEN) enable condition, the T0 interrupt request flag will be set "1" and the system executes the interrupt service routine. The T0C has no auto reload function. After T0C overflow, the T0C is continuing counting. Users need to reset T0C value to get a accurate time.

**T0C initial value = xxxx xxxx**

0D9H	Bit 7	Bit 6	Bit 5	Bit 4	Bit 3	Bit 2	Bit 1	Bit 0
<b>T0C</b>	T0C7	T0C6	T0C5	T0C4	T0C3	T0C2	T0C1	T0C0
	R/W	R/W	R/W	R/W	R/W	R/W	R/W	R/W

T0RATE	T0CLOCK	High speed mode (fcpu = 3.58MHz / 4)		Low speed mode (fcpu = 32768Hz / 4)	
		Max overflow interval	One step = max/256	Max overflow interval	One step = max/256
000	fcpu/256	73.2 ms	286us	8000 ms	31.25 ms
001	fcpu/128	36.6 ms	143us	4000 ms	15.63 ms
010	fcpu/64	18.3 ms	71.5us	2000 ms	7.8 ms
011	fcpu/32	9.15 ms	35.8us	1000 ms	3.9 ms
100	fcpu/16	4.57 ms	17.9us	500 ms	1.95 ms
101	fcpu/8	2.28 ms	8.94us	250 ms	0.98 ms
110	fcpu/4	1.14 ms	4.47us	125 ms	0.49 ms
111	fcpu/2	0.57 ms	2.23us	62.5 ms	0.24 ms

**Figure 8-3. The Timing Table of Basic Timer T0.**

The equation of T0C initial value is as following.

$$T0C \text{ initial value} = 256 - (T0 \text{ interrupt interval time} * \text{input clock})$$

⇒ **Example :** To set 10ms interval time for T0 interrupt at 3.58MHz high-speed mode. T0C value (74H) = 256 - (10ms \* fcpu/64)

$$\begin{aligned}
 T0C \text{ initial value} &= 256 - (T0 \text{ interrupt interval time} * \text{input clock}) \\
 &= 256 - (10\text{ms} * 3.58 * 10^6 / 4 / 64) \\
 &= 256 - (10^{-2} * 3.58 * 10^6 / 4 / 64) \\
 &= 116 \\
 &= 74H
 \end{aligned}$$

## T0 BASIC TIMER OPERATION SEQUENCE

The T0 basic timer's sequence of operation can be following.

- Set the T0C initial value to setup the interval time.
- Set the T0ENB to be "1" to enable T0 basic timer.
- T0C is incremented by one with each clock pulse which frequency is corresponding to T0M selection.
- T0C overflow when T0C from FFH to 00H.
- When T0C overflow occur, the T0IRQ flag is set to be "1" by hardware.
- Execute the interrupt service routine.
- Users reset the T0C value and resume the T0 timer operation.

### ⇒ Example: Setup the T0M and T0C.

```

B0BCLR    FT0IEN    ; To disable T0 interrupt service
B0BCLR    FT0ENB    ; To disable T0 timer
MOV       A,#20H    ;
B0MOV     T0M,A     ; To set T0 clock = fcpu / 64
MOV       A,#74H    ;
B0MOV     T0C,A     ; To set T0C initial value = 74H (To set T0 interval = 10 ms)
B0BSET    FT0IEN    ; To enable T0 interrupt service
B0BCLR    FT0IRQ    ; To clear T0 interrupt request
B0BSET    FT0ENB    ; To enable T0 timer

```

### ⇒ Example: T0 interrupt service routine.

```

INT_SERVICE:
    ORG     8        ; Interrupt vector
    JMP     INT_SERVICE

    B0XCH  A, ACCBUF ; B0XCH doesn't change C, Z flag
    PUSH

    B0BTS1 FT0IRQ    ; Check T0IRQ
    JMP     EXIT_INT ; T0IRQ = 0, exit interrupt vector

    B0BCLR FT0IRQ    ; Reset T0IRQ
    MOV     A,#74H   ; Reload T0C
    B0MOV  T0C,A
    .      .         ; T0 interrupt service routine
    .      .
    JMP     EXIT_INT ; End of T0 interrupt service routine and exit interrupt vector
    .      .
EXIT_INT:
    POP
    B0XCH  A, ACCBUF ; Restore ACC value

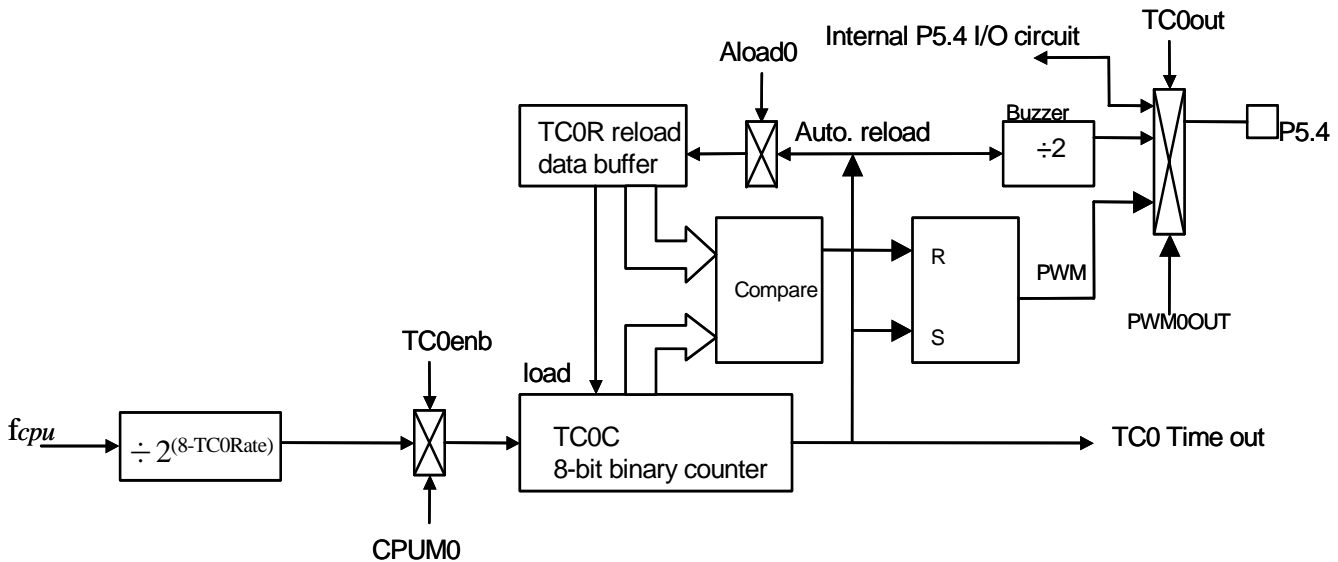
    RETI        ; Exit interrupt vector

```

## TIMER COUNTER 0 (TC0)

### OVERVIEW

The timer counter 0 (TC0) is used to generate an interrupt request when a specified time interval has elapsed. TC0 has a auto re-loadable counter that consists of two parts: an 8-bit reload register (TC0R) into which you write the



counter reference value, and an 8-bit counter register (TC0C) whose value is automatically incremented by counter logic.

Figure 8-4. Timer Count TC0 Block Diagram

The main purposes of the TC0 timer counter is as following.

- **8-bit programmable timer:** Generates interrupts at specific time intervals based on the selected clock frequency.
- **Arbitrary frequency output (Buzzer output):** Outputs selectable clock frequencies to the BZ0 pin (P5.4).
- **PWM function:** PWM output can be generated by the PWM1OUT bit and output to PWM0OUT pin (P5.4).



## TC0M MODE REGISTER

The TC0M is the timer counter mode register, which is an 8-bit read/write register. By loading different value into the TC0M register, users can modify the timer counter clock frequency dynamically when program executing.

Eight rates for TC0 timer can be selected by TC0RATE0 ~ TC0RATE2 bits. The range is from  $f_{cpu}/2$  to  $f_{cpu}/256$ . The TC0M initial value is zero and the rate is  $f_{cpu}/256$ . The bit7 of TC0M called TC0ENB is the control bit to start TC0 timer. The combination of these bits is to determine the TC0 timer clock frequency and the intervals.

**TC0M initial value = 0000 0000**

0DAH	Bit 7	Bit 6	Bit 5	Bit 4	Bit 3	Bit 2	Bit 1	Bit 0
<b>TC0M</b>	TC0ENB	TC0RATE2	TC0RATE1	TC0RATE0	0	ALOAD0	TC0OUT	PWM0OUT
	R/W	R/W	R/W	R/W	-	R/W	R/W	R/W

TC0ENB: TC0 counter/BZ0/PWM0OUT enable bit. 0 = disable, 1 = enable.

TC0RATE2~TC0RATE0: TC0 internal clock select bits. 000 =  $f_{cpu}/256$ , 001 =  $f_{cpu}/128$ , ... , 110 =  $f_{cpu}/4$ , 111 =  $f_{cpu}/2$ .

ALOAD0: TC0 auto-reload function control bit. 0 = none auto-reload, 1 = auto-reload.

TC0OUT: TC0 time-out toggle signal output control bit. 0 = To disable TC0 signal output and to enable P5.4's I/O function, 1 = To enable TC0's signal output and to disable P5.4's I/O function. (Auto-disable the PWM0OUT function.)

PWM0OUT: TC0's PWM output control bit. 0 = To disable the PWM output, 1 = To enable the PWM output (The TC0OUT control bit must = 0 )

➤ **Note: Bit3 must set to 0..**

➤ **Note: The ICE S8KC do not support the PWM0OUT and TC0OUT Function. The PWM0OUT and TC0OUT must use the S8KD ICE (or later) to verify the function.**

## TC0C COUNTING REGISTER

TC0C is an 8-bit counter register for the timer counter (TC0). TC0C must be reset whenever the TC0ENB is set "1" to start the timer counter. TC0C is incremented by one with a clock pulse which the frequency is determined by TC0RATE0 ~ TC0RATE2. When TC0C has incremented to "0FFH", it will be cleared to "00H" in next clock and an overflow is generated. Under TC0 interrupt service request (TC0IEN) enable condition, the TC0 interrupt request flag will be set "1" and the system executes the interrupt service routine.

**TC0C initial value = xxxx xxxx**

0DBH	Bit 7	Bit 6	Bit 5	Bit 4	Bit 3	Bit 2	Bit 1	Bit 0
<b>TC0C</b>	TC0C7	TC0C6	TC0C5	TC0C4	TC0C3	TC0C2	TC0C1	TC0C0
	R/W	R/W	R/W	R/W	R/W	R/W	R/W	R/W

TC0RATE	TC0CLOCK	High speed mode (fcpu = 3.58MHz / 4)		Low speed mode (fcpu = 32768Hz / 4)	
		Max overflow interval	One step = max/256	Max overflow interval	One step = max/256
000	fcpu/256	73.2 ms	286us	8000 ms	31.25 ms
001	fcpu/128	36.6 ms	143us	4000 ms	15.63 ms
010	fcpu/64	18.3 ms	71.5us	2000 ms	7.8 ms
011	fcpu/32	9.15 ms	35.8us	1000 ms	3.9 ms
100	fcpu/16	4.57 ms	17.9us	500 ms	1.95 ms
101	fcpu/8	2.28 ms	8.94us	250 ms	0.98 ms
110	fcpu/4	1.14 ms	4.47us	125 ms	0.49 ms
111	fcpu/2	0.57 ms	2.23us	62.5 ms	0.24 ms

**Table 8-1. The Timing Table of Timer Count TC0**

The equation of TC0C initial value is as following.

$$TC0C \text{ initial value} = 256 - (TC0 \text{ interrupt interval time} * \text{input clock})$$

⇒ Example: To set 10ms interval time for TC0 interrupt at 3.58MHz high-speed mode. TC0C value (74H) = 256 - (10ms \* fcpu/64)

$$\begin{aligned}
 TC0C \text{ initial value} &= 256 - (TC0 \text{ interrupt interval time} * \text{input clock}) \\
 &= 256 - (10\text{ms} * 3.58 * 10^6 / 4 / 64) \\
 &= 256 - (10^{-2} * 3.58 * 10^6 / 4 / 64) \\
 &= 116 \\
 &= 74H
 \end{aligned}$$

## TC0R AUTO-LOAD REGISTER

TC0R is an 8-bit register for the TC0 auto-reload function. TC0R's value applies to TC0OUT and PWM0OUT functions.. Under TC0OUT application, users must enable and set the TC0R register. The main purpose of TC0R is as following.

- Store the auto-reload value and set into TC0C when the TC0C overflow. (ALOAD0 = 1).
- Store the duty value of PWM0OUT function.

**TC0R initial value = xxxx xxxx**

OCDH	Bit 7	Bit 6	Bit 5	Bit 4	Bit 3	Bit 2	Bit 1	Bit 0
<b>TC0R</b>	TC0R7	TC0R6	TC0R5	TC0R4	TC0R3	TC0R2	TC0R1	TC0R0
	W	W	W	W	W	W	W	W

The equation of TC0R initial value is like TC0C as following.

$$TC0R \text{ initial value} = 256 - (TC0 \text{ interrupt interval time} * \text{input clock})$$

- **Note: The TC0R is write-only register can't be process by INCMS, DECMS instructions.**

## TC0 TIMER COUNTER OPERATION SEQUENCE

The TC0 timer counter's sequence of operation can be following.

- Set the TC0C initial value to setup the interval time.
- Set the TC0ENB to be "1" to enable TC0 timer counter.
- TC0C is incremented by one with each clock pulse which frequency is corresponding to T0M selection.
- TC0C overflow when TC0C from FFH to 00H.
- When TC0C overflow occur, the TC0IRQ flag is set to be "1" by hardware.
- Execute the interrupt service routine.
- Users reset the TC0C value and resume the TC0 timer operation.

### ⇒ Example: Setup the TC0M and TC0C without auto-reload function.

```

B0BCLR    FTC0IEN    ; To disable TC0 interrupt service
B0BCLR    FTC0ENB    ; To disable TC0 timer
MOV       A,#20H     ;
B0MOV     TC0M,A     ; To set TC0 clock = fcpu / 64
MOV       A,#74H     ; To set TC0C initial value = 74H
B0MOV     TC0C,A     ;(To set TC0 interval = 10 ms)

B0BSET    FTC0IEN    ; To enable TC0 interrupt service
B0BCLR    FTC0IRQ    ; To clear TC0 interrupt request
B0BSET    FTC0ENB    ; To enable TC0 timer

```

### ⇒ Example: Setup the TC0M and TC0C with auto-reload function.

```

B0BCLR    FTC0IEN    ; To disable TC0 interrupt service
B0BCLR    FTC0ENB    ; To disable TC0 timer
MOV       A,#20H     ;
B0MOV     TC0M,A     ; To set TC0 clock = fcpu / 64
MOV       A,#74H     ; To set TC0C initial value = 74H
B0MOV     TC0C,A     ; (To set TC0 interval = 10 ms)
B0MOV     TC0R,A     ; To set TC0R auto-reload register

B0BSET    FTC0IEN    ; To enable TC0 interrupt service
B0BCLR    FTC0IRQ    ; To clear TC0 interrupt request
B0BSET    FTC0ENB    ; To enable TC0 timer
B0BSET    ALOAD0     ; To enable TC0 auto-reload function.

```

⇒ Example: TC0 interrupt service routine without auto-reload function.

```

                ORG          8          ; Interrupt vector
INT_SERVICE:   JMP          INT_SERVICE

                BOXCH       A, ACCBUF  ; BOXCH doesn't change C, Z flag
                PUSH                               ; Push

                B0BTS1      FTC0IRQ    ; Check TC0IRQ
                JMP          EXIT_INT   ; TC0IRQ = 0, exit interrupt vector

                B0BCLR      FTC0IRQ    ; Reset TC0IRQ
                MOV         A,#74H     ; Reload TC0C
                B0MOV       TC0C,A

                .            .          ; TC0 interrupt service routine
                .            .
                JMP          EXIT_INT   ; End of TC0 interrupt service routine and exit interrupt
                                        vector

EXIT_INT:      .            .
                .            .
                POP         A, ACCBUF  ; Pop
                BOXCH       A, ACCBUF  ; Restore ACC value.

                RETI         ; Exit interrupt vector

```

⇒ Example: TC0 interrupt service routine with auto-reload.

```

                ORG          8          ; Interrupt vector
INT_SERVICE:   JMP          INT_SERVICE

                BOXCH       A, ACCBUF  ; BOXCH doesn't change C, Z flag
                PUSH                               ; Push

                B0BTS1      FTC0IRQ    ; Check TC0IRQ
                JMP          EXIT_INT   ; TC0IRQ = 0, exit interrupt vector

                B0BCLR      FTC0IRQ    ; Reset TC0IRQ
                .            .          ; TC0 interrupt service routine
                .            .
                JMP          EXIT_INT   ; End of TC0 interrupt service routine and exit interrupt
                                        vector

EXIT_INT:      .            .
                .            .
                POP         A, ACCBUF  ; Pop
                BOXCH       A, ACCBUF  ; Restore ACC value.

                RETI         ; Exit interrupt vector

```

## TC0 CLOCK FREQUENCY OUTPUT (BUZZER)

TC0 timer counter provides a frequency output function. By setting the TC0 clock frequency, the clock signal is output to P5.4 and the P5.4 general purpose I/O function is auto-disable. The TC0 output signal divides by 2. The TC0 clock has many combinations and easily to make difference frequency. This function applies as buzzer output to output multi-frequency.

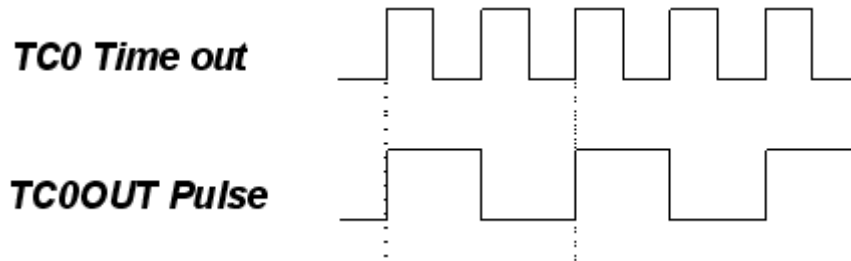


Figure 8-5. The TC0OUT Pulse Frequency

⇒ Example: Setup TC0OUT output from TC0 to TC0OUT (P5.4). The external high-speed clock is 4MHz. The TC0OUT frequency is 1KHz. Because the TC0OUT signal is divided by 2, set the TC0 clock to 2KHz. The TC0 clock source is from external oscillator clock. TC0 rate is  $F_{cpu}/4$ . The  $TC0RATE2-TC0RATE1 = 110$ .  $TC0C = TC0R = 131$ .

```

MOV      A,#01100000B
BOBMV   TC0M,A           ; Set the TC0 rate to Fcpu/4

MOV      A,#131
BOBMV   TC0C,A
BOBMV   TC0R,A           ; Set the auto-reload reference value

BOBSET  FTC0OUT         ; Enable TC0 output to P5.4 and disable P5.4 I/O function
BOBSET  FALOAD0         ; Enable TC0 auto-reload function
BOBSET  FTC0ENB         ; Enable TC0 timer

```

## TC0OUT FREQUENCY TABLE

**Fosc = 4MHz, TC0 Rate = Fcpu/8**

TC0R	TC0OUT (KHz)	TC0R	TC0OUT (KHz)	TC0R	TC0OUT (KHz)	TC0R	TC0OUT (KHz)	TC0R	TC0OUT (KHz)
0	0.2441	56	0.3125	112	0.4340	168	0.7102	224	1.9531
1	0.2451	57	0.3141	113	0.4371	169	0.7184	225	2.0161
2	0.2461	58	0.3157	114	0.4401	170	0.7267	226	2.0833
3	0.2470	59	0.3173	115	0.4433	171	0.7353	227	2.1552
4	0.2480	60	0.3189	116	0.4464	172	0.7440	228	2.2321
5	0.2490	61	0.3205	117	0.4496	173	0.7530	229	2.3148
6	0.2500	62	0.3222	118	0.4529	174	0.7622	230	2.4038
7	0.2510	63	0.3238	119	0.4562	175	0.7716	231	2.5000
8	0.2520	64	0.3255	120	0.4596	176	0.7813	232	2.6042
9	0.2530	65	0.3272	121	0.4630	177	0.7911	233	2.7174
10	0.2541	66	0.3289	122	0.4664	178	0.8013	234	2.8409
11	0.2551	67	0.3307	123	0.4699	179	0.8117	235	2.9762
12	0.2561	68	0.3324	124	0.4735	180	0.8224	236	3.1250
13	0.2572	69	0.3342	125	0.4771	181	0.8333	237	3.2895
14	0.2583	70	0.3360	126	0.4808	182	0.8446	238	3.4722
15	0.2593	71	0.3378	127	0.4845	183	0.8562	239	3.6765
16	0.2604	72	0.3397	128	0.4883	184	0.8681	240	3.9063
17	0.2615	73	0.3415	129	0.4921	185	0.8803	241	4.1667
18	0.2626	74	0.3434	130	0.4960	186	0.8929	242	4.4643
19	0.2637	75	0.3453	131	0.5000	187	0.9058	243	4.8077
20	0.2648	76	0.3472	132	0.5040	188	0.9191	244	5.2083
21	0.2660	77	0.3492	133	0.5081	189	0.9328	245	5.6818
22	0.2671	78	0.3511	134	0.5123	190	0.9470	246	6.2500
23	0.2682	79	0.3531	135	0.5165	191	0.9615	247	6.9444
24	0.2694	80	0.3551	136	0.5208	192	0.9766	248	7.8125
25	0.2706	81	0.3571	137	0.5252	193	0.9921	249	8.9286
26	0.2717	82	0.3592	138	0.5297	194	1.0081	250	10.4167
27	0.2729	83	0.3613	139	0.5342	195	1.0246	251	12.5000
28	0.2741	84	0.3634	140	0.5388	196	1.0417	252	15.6250
29	0.2753	85	0.3655	141	0.5435	197	1.0593	253	20.8333
30	0.2765	86	0.3676	142	0.5482	198	1.0776	254	31.2500
31	0.2778	87	0.3698	143	0.5531	199	1.0965	255	62.5000
32	0.2790	88	0.3720	144	0.5580	200	1.1161		
33	0.2803	89	0.3743	145	0.5631	201	1.1364		
34	0.2815	90	0.3765	146	0.5682	202	1.1574		
35	0.2828	91	0.3788	147	0.5734	203	1.1792		
36	0.2841	92	0.3811	148	0.5787	204	1.2019		
37	0.2854	93	0.3834	149	0.5841	205	1.2255		
38	0.2867	94	0.3858	150	0.5896	206	1.2500		
39	0.2880	95	0.3882	151	0.5952	207	1.2755		
40	0.2894	96	0.3906	152	0.6010	208	1.3021		
41	0.2907	97	0.3931	153	0.6068	209	1.3298		
42	0.2921	98	0.3956	154	0.6127	210	1.3587		
43	0.2934	99	0.3981	155	0.6188	211	1.3889		
44	0.2948	100	0.4006	156	0.6250	212	1.4205		
45	0.2962	101	0.4032	157	0.6313	213	1.4535		
46	0.2976	102	0.4058	158	0.6378	214	1.4881		
47	0.2990	103	0.4085	159	0.6443	215	1.5244		
48	0.3005	104	0.4112	160	0.6510	216	1.5625		
49	0.3019	105	0.4139	161	0.6579	217	1.6026		
50	0.3034	106	0.4167	162	0.6649	218	1.6447		
51	0.3049	107	0.4195	163	0.6720	219	1.6892		
52	0.3064	108	0.4223	164	0.6793	220	1.7361		
53	0.3079	109	0.4252	165	0.6868	221	1.7857		
54	0.3094	110	0.4281	166	0.6944	222	1.8382		
55	0.3109	111	0.4310	167	0.7022	223	1.8939		

**Table 8-2. TC0OUT Frequency Table for Fosc = 4MHz, TC0 Rate = Fcpu/8**

**Fosc = 16MHz, TC0 Rate = Fcpu/8**

TC0R	TC0OUT (KHz)	TC0R	TC0OUT (KHz)	TC0R	TC0OUT (KHz)	TC0R	TC0OUT (KHz)	TC0R	TC0OUT (KHz)
0	0.9766	56	1.2500	112	1.7361	168	2.8409	224	7.8125
1	0.9804	57	1.2563	113	1.7483	169	2.8736	225	8.0645
2	0.9843	58	1.2626	114	1.7606	170	2.9070	226	8.3333
3	0.9881	59	1.2690	115	1.7730	171	2.9412	227	8.6207
4	0.9921	60	1.2755	116	1.7857	172	2.9762	228	8.9286
5	0.9960	61	1.2821	117	1.7986	173	3.0120	229	9.2593
6	1.0000	62	1.2887	118	1.8116	174	3.0488	230	9.6154
7	1.0040	63	1.2953	119	1.8248	175	3.0864	231	10.0000
8	1.0081	64	1.3021	120	1.8382	176	3.1250	232	10.4167
9	1.0121	65	1.3089	121	1.8519	177	3.1646	233	10.8696
10	1.0163	66	1.3158	122	1.8657	178	3.2051	234	11.3636
11	1.0204	67	1.3228	123	1.8797	179	3.2468	235	11.9048
12	1.0246	68	1.3298	124	1.8939	180	3.2895	236	12.5000
13	1.0288	69	1.3369	125	1.9084	181	3.3333	237	13.1579
14	1.0331	70	1.3441	126	1.9231	182	3.3784	238	13.8889
15	1.0373	71	1.3514	127	1.9380	183	3.4247	239	14.7059
16	1.0417	72	1.3587	128	1.9531	184	3.4722	240	15.6250
17	1.0460	73	1.3661	129	1.9685	185	3.5211	241	16.6667
18	1.0504	74	1.3736	130	1.9841	186	3.5714	242	17.8571
19	1.0549	75	1.3812	131	2.0000	187	3.6232	243	19.2308
20	1.0593	76	1.3889	132	2.0161	188	3.6765	244	20.8333
21	1.0638	77	1.3966	133	2.0325	189	3.7313	245	22.7273
22	1.0684	78	1.4045	134	2.0492	190	3.7879	246	25.0000
23	1.0730	79	1.4124	135	2.0661	191	3.8462	247	27.7778
24	1.0776	80	1.4205	136	2.0833	192	3.9063	248	31.2500
25	1.0823	81	1.4286	137	2.1008	193	3.9683	249	35.7143
26	1.0870	82	1.4368	138	2.1186	194	4.0323	250	41.6667
27	1.0917	83	1.4451	139	2.1368	195	4.0984	251	50.0000
28	1.0965	84	1.4535	140	2.1552	196	4.1667	252	62.5000
29	1.1013	85	1.4620	141	2.1739	197	4.2373	253	83.3333
30	1.1062	86	1.4706	142	2.1930	198	4.3103	254	125.0000
31	1.1111	87	1.4793	143	2.2124	199	4.3860	255	250.0000
32	1.1161	88	1.4881	144	2.2321	200	4.4643		
33	1.1211	89	1.4970	145	2.2523	201	4.5455		
34	1.1261	90	1.5060	146	2.2727	202	4.6296		
35	1.1312	91	1.5152	147	2.2936	203	4.7170		
36	1.1364	92	1.5244	148	2.3148	204	4.8077		
37	1.1416	93	1.5337	149	2.3364	205	4.9020		
38	1.1468	94	1.5432	150	2.3585	206	5.0000		
39	1.1521	95	1.5528	151	2.3810	207	5.1020		
40	1.1574	96	1.5625	152	2.4038	208	5.2083		
41	1.1628	97	1.5723	153	2.4272	209	5.3191		
42	1.1682	98	1.5823	154	2.4510	210	5.4348		
43	1.1737	99	1.5924	155	2.4752	211	5.5556		
44	1.1792	100	1.6026	156	2.5000	212	5.6818		
45	1.1848	101	1.6129	157	2.5253	213	5.8140		
46	1.1905	102	1.6234	158	2.5510	214	5.9524		
47	1.1962	103	1.6340	159	2.5773	215	6.0976		
48	1.2019	104	1.6447	160	2.6042	216	6.2500		
49	1.2077	105	1.6556	161	2.6316	217	6.4103		
50	1.2136	106	1.6667	162	2.6596	218	6.5789		
51	1.2195	107	1.6779	163	2.6882	219	6.7568		
52	1.2255	108	1.6892	164	2.7174	220	6.9444		
53	1.2315	109	1.7007	165	2.7473	221	7.1429		
54	1.2376	110	1.7123	166	2.7778	222	7.3529		
55	1.2438	111	1.7241	167	2.8090	223	7.5758		

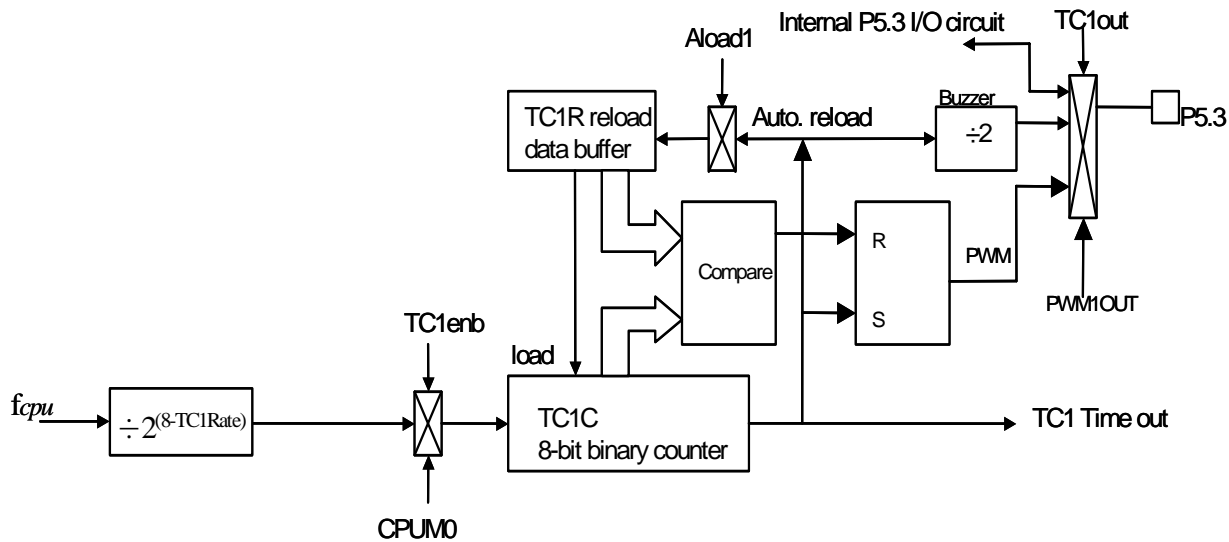
**Table 8-3. TC0OUT Frequency Table for Fosc = 16MHz, TC0 Rate = Fcpu/8**



## TIMER COUNTER 1 (TC1)

### OVERVIEW

The timer counter 1 (TC1) is used to generate an interrupt request when a specified time interval has elapsed. TC1 has a auto re-loadable counter that consists of two parts: an 8-bit reload register (TC1R) into which you write the



counter reference value, and an 8-bit counter register (TC1C) whose value is automatically incremented by counter logic.

Figure 8-6. Timer Count TC1 Block Diagram

The main purposes of the TC1 timer is as following.

- **8-bit programmable timer:** Generates interrupts at specific time intervals based on the selected clock frequency.
- **Arbitrary frequency output (Buzzer output):** Outputs selectable clock frequencies to the BZ1 pin (P5.3).
- **PWM function:** PWM output can be generated by the PWM1OUT bit and output to PWM1OUT pin (P5.3).

## TC1M MODE REGISTER

The TC1M is an 8-bit read/write timer mode register. By loading different value into the TC1M register, users can modify the timer clock frequency dynamically as program executing.

Eight rates for TC1 timer can be selected by TC1RATE0 ~ TC1RATE2 bits. The range is from  $f_{cpu}/2$  to  $f_{cpu}/256$ . The TC1M initial value is zero and the rate is  $f_{cpu}/256$ . The bit7 of TC1M called TC1ENB is the control bit to start TC1 timer. The combination of these bits is to determine the TC1 timer clock frequency and the intervals.

**TC1M initial value = 0000 0000**

0DCH	Bit 7	Bit 6	Bit 5	Bit 4	Bit 3	Bit 2	Bit 1	Bit 0
<b>TC1M</b>	TC1ENB	TC1RATE2	TC1RATE1	TC1RATE0	0	ALOAD1	TC1OUT	PWM1OUT
	R/W	R/W	R/W	R/W	-	R/W	R/W	R/W

TC1ENB: TC1 counter/BZ1/PWM1OUT enable bit. 0 = disable, 1 = enable.

TC1RATE2~TC1RATE0: TC1 internal clock select bits. 000 =  $f_{cpu}/256$ , 001 =  $f_{cpu}/128$ , ... , 110 =  $f_{cpu}/4$ , 111 =  $f_{cpu}/2$ .

ALOAD1: TC1 auto-reload function control bit. 0 = none auto-reload, 1 = auto-reload.

TC1OUT: TC1 time-out toggle signal output control bit. 0 = To disable TC1 signal output and to enable P5.3's I/O function, 1 = To enable TC1's signal output and to disable P5.3's I/O function. (Auto-disable the PWM1OUT function.)

PWM1OUT: TC1's PWM output control bit. 0 = To disable the PWM output, 1 = To enable the PWM output (The TC1OUT control bit must = 0 )

➤ **Note: Bit3 must set to 0..**

➤ **Note: The S8KC ICE do not support the PWM1OUT and TC1OUT Function. The PWM1OUT and TC1OUT must use the S8KD ICE (or later) to verify the function.**

## TC1C COUNTING REGISTER

TC1C is an 8-bit counter register for the timer counter (TC1). TC1C must be reset whenever the TC1ENB is set "1" to start the timer. TC0C is incremented by one with a clock pulse which the frequency is determined by TC0RATE0 ~ TC0RATE2. When TC0C has incremented to "0FFH", it will be cleared to "00H" in next clock and an overflow is generated. Under TC1 interrupt service request (TC1IEN) enable condition, the TC1 interrupt request flag will be set "1" and the system executes the interrupt service routine.

**TC1C initial value = xxxx xxxx**

ODDH	Bit 7	Bit 6	Bit 5	Bit 4	Bit 3	Bit 2	Bit 1	Bit 0
<b>TC1C</b>	TC1C7	TC1C6	TC1C5	TC1C4	TC1C3	TC1C2	TC1C1	TC1C0
	R/W	R/W	R/W	R/W	R/W	R/W	R/W	R/W

**The interval time of TC1 basic timer table.**

TC1RATE	TC1CLOC K	High speed mode (fcpu = 3.58MHz / 4)		Low speed mode (fcpu = 32768Hz / 4)	
		Max overflow interval	One step = max/256	Max overflow interval	One step = max/256
000	fcpu/256	73.2 ms	286us	8000 ms	31.25 ms
001	fcpu/128	36.6 ms	143us	4000 ms	15.63 ms
010	fcpu/64	18.3 ms	71.5us	2000 ms	7.8 ms
011	fcpu/32	9.15 ms	35.8us	1000 ms	3.9 ms
100	fcpu/16	4.57 ms	17.9us	500 ms	1.95 ms
101	fcpu/8	2.28 ms	8.94us	250 ms	0.98 ms
110	fcpu/4	1.14 ms	4.47us	125 ms	0.49 ms
111	fcpu/2	0.57 ms	2.23us	62.5 ms	0.24 ms

**Table 8-4. The Timing Table of Timer Count TC1**

The equation of TC1C initial value is as following.

$$\text{TC1C initial value} = 256 - (\text{TC1 interrupt interval time} * \text{input clock})$$

⇒ Example: To set 10ms interval time for TC1 interrupt at 3.58MHz high-speed mode. TC1C value (74H) = 256 - (10ms \* fcpu/64)

$$\begin{aligned} \text{TC1C initial value} &= 256 - (\text{TC1 interrupt interval time} * \text{input clock}) \\ &= 256 - (10\text{ms} * 3.58 * 10^6 / 4 / 64) \\ &= 256 - (10^{-2} * 3.58 * 10^6 / 4 / 64) \\ &= 116 \\ &= 74\text{H} \end{aligned}$$

## TC1R AUTO-LOAD REGISTER

TC1R is an 8-bit register for the TC1 auto-reload function. TC1R's value applies to TC1OUT and PWM1OUT functions. Under TC1OUT application, users must enable and set the TC1R register. The main purpose of TC1R is as following.

- Store the auto-reload value and set into TC1C when the TC1C overflow. (ALOAD1 = 1).
- Store the duty value of PWM1OUT function.

**TC1R initial value = xxxx xxxx**

0DEH	Bit 7	Bit 6	Bit 5	Bit 4	Bit 3	Bit 2	Bit 1	Bit 0
<b>TC1R</b>	TC1R7	TC1R6	TC1R5	TC1R4	TC1R3	TC1R2	TC1R1	TC1R0
	W	W	W	W	W	W	W	W

The equation of TC1R initial value is like TC1C as following.

$$TC1R \text{ initial value} = 256 - (TC1 \text{ interrupt interval time} * \text{input clock})$$

- **Note: The TC1R is write-only register can't be process by INCMS, DECMS instructions.**

## TC1 TIMER COUNTER OPERATION SEQUENCE

The TC1 timer's sequence of operation can be following.

- Set the TC1C initial value to setup the interval time.
- Set the TC1ENB to be "1" to enable TC1 timer counter.
- TC1C is incremented by one with each clock pulse which frequency is corresponding to TC1M selection.
- TC1C overflow if TC1C from FFH to 00H.
- When TC1C overflow occur, the TC1IRQ flag is set to be "1" by hardware.
- Execute the interrupt service routine.
- Users reset the TC1C value and resume the TC1 timer operation.

### ⇒ Example: Setup the TC1M and TC1C without auto-reload function.

```

B0BCLR    FTC1IEN    ; To disable TC1 interrupt service
B0BCLR    FTC1ENB    ; To disable TC1 timer
MOV       A,#20H     ;
B0MOV     TC1M,A     ; To set TC1 clock = fcpu / 64
MOV       A,#74H     ; To set TC1C initial value = 74H
B0MOV     TC1C,A     ;(To set TC1 interval = 10 ms)

B0BSET    FTC1IEN    ; To enable TC1 interrupt service
B0BCLR    FTC1IRQ    ; To clear TC1 interrupt request
B0BSET    FTC1ENB    ; To enable TC1 timer

```

### ⇒ Example: Setup the TC1M and TC1C with auto-reload function.

```

B0BCLR    FTC1IEN    ; To disable TC1 interrupt service
B0BCLR    FTC1ENB    ; To disable TC1 timer
MOV       A,#20H     ;
B0MOV     TC1M,A     ; To set TC1 clock = fcpu / 64
MOV       A,#74H     ; To set TC1C initial value = 74H
B0MOV     TC1C,A     ; (To set TC1 interval = 10 ms)
B0MOV     TC1R,A     ; To set TC1R auto-reload register

B0BSET    FTC1IEN    ; To enable TC1 interrupt service
B0BCLR    FTC1IRQ    ; To clear TC1 interrupt request
B0BSET    FTC1ENB    ; To enable TC1 timer
B0BSET    ALOAD1     ; To enable TC1 auto-reload function.

```

⇒ Example: TC1 interrupt service routine without auto-reload function.

```

                ORG          8          ; Interrupt vector
INT_SERVICE:   JMP          INT_SERVICE

                BOXCH       A, ACCBUF  ; BOXCH doesn't change C, Z flag
                PUSH                               ; Push

                B0BTS1      FTC1IRQ    ; Check TC1IRQ
                JMP          EXIT_INT   ; TC1IRQ = 0, exit interrupt vector

                B0BCLR      FTC1IRQ    ; Reset TC1IRQ
                MOV         A,#74H     ; Reload TC1C
                B0MOV       TC1C,A

                .            .          ; TC1 interrupt service routine
                .            .
                JMP          EXIT_INT   ; End of TC1 interrupt service routine and exit interrupt
                                        vector

EXIT_INT:     .            .
                .            .
                POP         A, ACCBUF  ; Pop
                BOXCH       A, ACCBUF  ; Restore ACC value.

                RETI                               ; Exit interrupt vector

```

⇒ Example: TC1 interrupt service routine with auto-reload.

```

                ORG          8          ; Interrupt vector
INT_SERVICE:   JMP          INT_SERVICE

                BOXCH       A, ACCBUF  ; BOXCH doesn't change C, Z flag
                PUSH                               ; Push

                B0BTS1      FTC1IRQ    ; Check TC1IRQ
                JMP          EXIT_INT   ; TC1IRQ = 0, exit interrupt vector

                B0BCLR      FTC1IRQ    ; Reset TC1IRQ
                .            .          ; TC1 interrupt service routine
                .            .
                JMP          EXIT_INT   ; End of TC1 interrupt service routine and exit interrupt
                                        vector

EXIT_INT:     .            .
                .            .
                POP         A, ACCBUF  ; Pop
                BOXCH       A, ACCBUF  ; Restore ACC value.

                RETI                               ; Exit interrupt vector

```

## TC1 CLOCK FREQUENCY OUTPUT (BUZZER)

TC1 timer counter provides a frequency output function. By setting the TC1 clock frequency, the clock signal is output to P5.3 and the P5.3 general purpose I/O function is auto-disable. The TC1 output signal divides by 2. The TC1 clock has many combinations and easily to make difference frequency. This function applies as buzzer output to output multi-frequency.

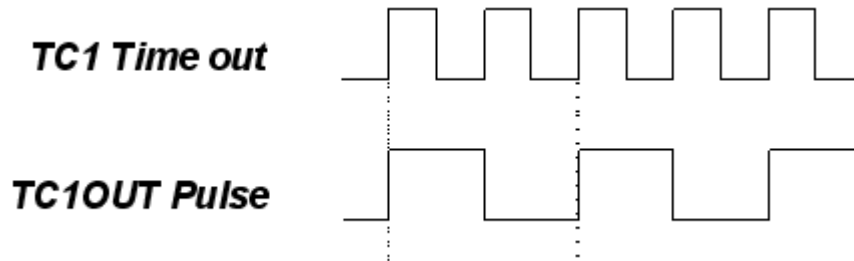


Figure 8-7. The TC1OUT Pulse Frequency

⇒ **Example:** Setup TC1OUT output from TC1 to TC1OUT (P5.3). The external high-speed clock is 4MHz. The TC1OUT frequency is 1KHz. Because the TC1OUT signal is divided by 2, set the TC1 clock to 2KHz. The TC1 clock source is from external oscillator clock. TC1 rate is  $F_{cpu}/4$ . The  $TC1RATE2-TC1RATE1 = 110$ .  $TC1C = TC1R = 131$ .

```

MOV      A,#01100000B
B0MOV   TC1M,A           ; Set the TC1 rate to Fcpu/4

MOV      A,#131
B0MOV   TC1C,A          ; Set the auto-reload reference value
B0MOV   TC1R,A

B0BSET  FTC1OUT         ; Enable TC1 output to P5.3 and disable P5.3 I/O function
B0BSET  FALOAD1         ; Enable TC1 auto-reload function
B0BSET  FTC1ENB         ; Enable TC1 timer

```

➤ **Note:** The TC1OUT frequency table is as TC0OUT frequency table. Please consult TC0OUT frequency table. (Table 7-2~7-5)

# PWM FUNCTION DESCRIPTION

## OVERVIEW

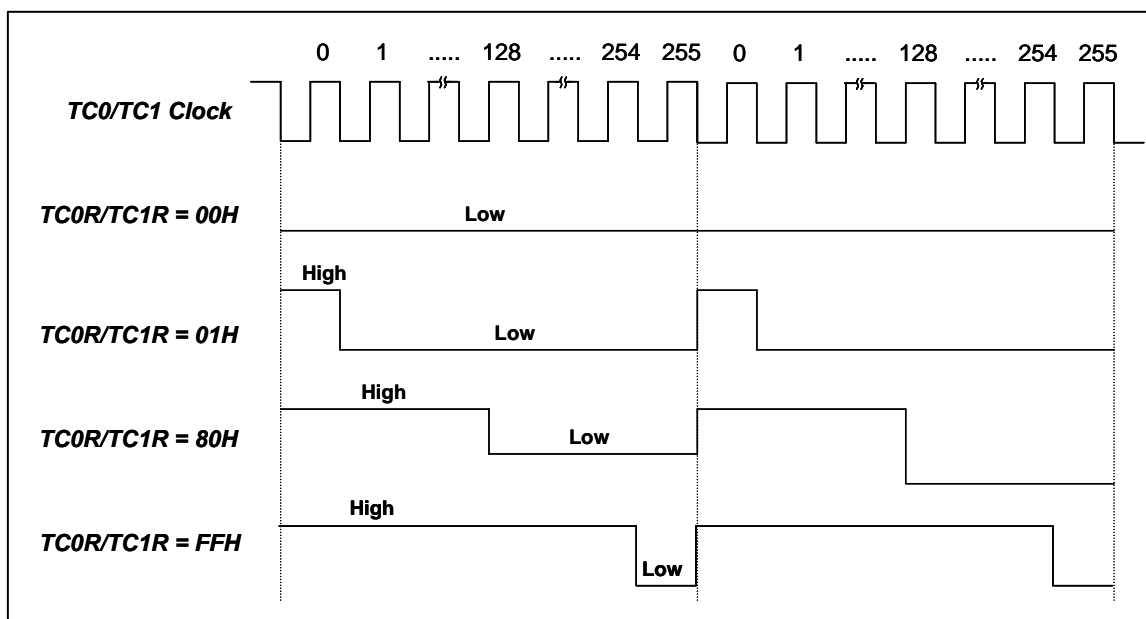
PWM function is generated by TC0/TC1 timer counter and output the PWM signal to PWM0OUT pin (P5.4)/ PWM1OUT pin (P5.3). The 8-bit counter counts modulus 256, from 0-255, inclusive. The value of the 8-bit counter is compared to the contents of the reference register (TC0R/TC1R). When the reference register value (TC0R/TC1R) is equal to the counter value (TC0C/TC1C), the PWM output goes low. When the counter reaches zero, the PWM output is forced high. The low-to-high ratio (duty) of the PWM0/PWM1 output is TC0R/256 and TC1R/256.

All PWM outputs remain inactive during the first 256 input clock signals. Then, when the counter value (TC0C/TC1C) changes from FFH back to 00H, the PWM output is forced to high level. The pulse width ratio (duty cycle) is defined by the contents of the reference register (TC0R/TC1R) and is programmed in increments of 1:256. The 8-bit PWM data register TC0R/TC1R is write only register.

PWM output can be held at low level by continuously loading the reference register with 00H. Under PWM operating, to change the PWM's duty cycle is to modify the TC0R/TC1R.

<i>Reference Register Value (TC0R/TC1R)</i>	<i>Duty</i>
0000 0000	0/256
0000 0001	1/256
0000 0010	2/256
.	.
.	.
1000 0000	128/256
1000 0001	129/256
.	.
.	.
1111 1110	254/256
1111 1111	255/256

**Table 8-5. The PWM Duty Cycle Table**



**Figure 8-8 The Output of PWM with different TC0R/TC1R.**



## PWM PROGRAM DESCRIPTION

- ⇒ **Example:** Setup PWM0 output from TC0 to PWM0OUT (P5.4). The external high-speed oscillator clock is 4MHz. The duty of PWM is 30/256. The PWM frequency is about 1KHz. The PWM clock source is from external oscillator clock. TC0 rate is Fcpu/4. The TC0RATE2~TC0RATE1 = 110. TC0C = TC0R = 30.

```

MOV          A,#01100000B
B0MOV       TC0M,A           ; Set the TC0 rate to Fcpu/4
B0MOV       TC0M,A           ; Set the TC0 rate to Fcpu/4
MOV         A,#0x00          ;First Time Initial TC0

MOV         A,#30            ; Set the PWM duty to 30/256
B0MOV       TC0R,A

B0BCLR      FTC0OUT         ; Disable TC0OUT function.
B0BSET      FPWM0OUT        ; Enable PWM0 output to P5.4 and disable P5.4 I/O function
B0BSET      FTC0ENB         ; Enable TC0 timer

```

- **Note1:** The TC0R and TC1R are write-only registers. Don't process them using INCMS, DECMS instructions.
- **Note2:** Set TC0C at initial is to make first duty-cycle correct. After TC0 is enabled, don't modify TC0R value to avoid duty cycle error of PWM output.

- ⇒ **Example:** Modify TC0R/TC1R registers' value.

```

MOV         A, #30H          ; Input a number using B0MOV instruction.
B0MOV       TC0R, A

INCMS      BUF0             ; Get the new TC0R value from the BUF0 buffer defined by
B0MOV       A, BUF0         ; programming.
B0MOV       TC0R, A

```

- **Note3:** That is better to set the TC0C and TC0R value together when PWM0 duty modified. It protects the PWM0 signal no glitch as PWM0 duty changing. That is better to set the TC1C and TC1R value together when PWM1 duty modified. It protects the PWM1 signal no glitch as PWM1 duty changing.
- **Note4:** The TC0OUT function must be set "0" when PWM0 output enable. The TC1OUT function must be set "0" when PWM1 output enable.
- **Note5:** The PWM can work with interrupt request.

# 9 INTERRUPT

## OVERVIEW

The SN8P1700 provides 7<sup>1</sup> interrupt sources, including four internal interrupts (T0, TC0, TC1 & SIO) and three external interrupts (INT0 ~ INT2). These external interrupts can wakeup the chip from power down mode to high-speed normal mode. The external clock input pins of INT0/INT1/INT2 are shared with P0.0/P0.1/P0.2 pins. Once interrupt service is executed, the GIE bit in STKP register will clear to "0" for stopping other interrupt request. When interrupt service exits, the GIE bit will set to "1" to accept the next interrupts' request. All of the interrupt request signals are stored in INTRQ register. The user can program the chip to check INTRQ's content for setting executive priority.

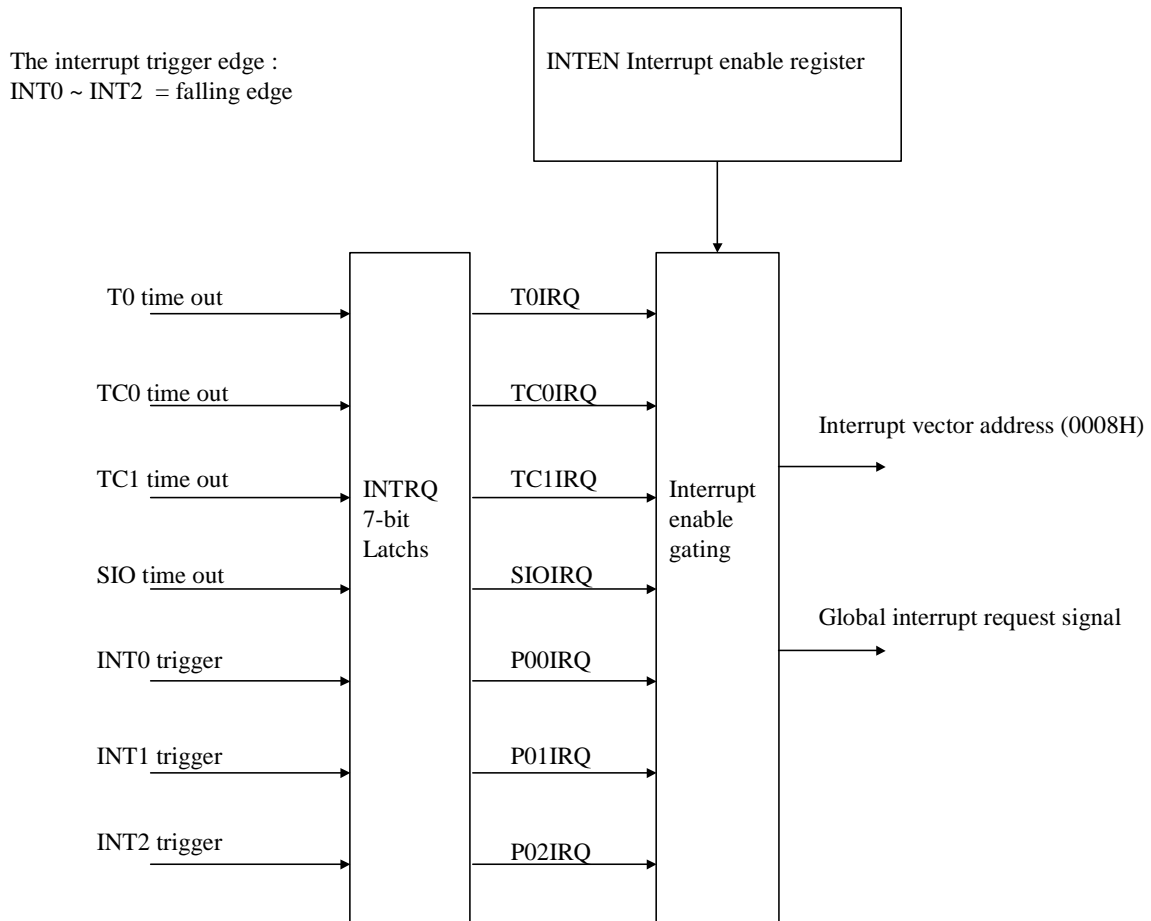


Figure 9-1. The 7 Interrupts of SN8P1700

- **Note: 1.** For SN8P1702 only obtain one internal interrupt P00 and one external interrupt TC0.
- **Note: 2.** The GIE bit must enable and all interrupt operations work.

## INTEN INTERRUPT ENABLE REGISTER

INTEN is the interrupt request control register including four internal interrupts, three external interrupts and SIO interrupt enable control bits. One of the register to be set "1" is to enable the interrupt request function. Once of the interrupt occur, the program jump to ORG 8 to execute interrupt service routines. The program exits the interrupt service routine when the returning interrupt service routine instruction (RETI) is executed.

**INTEN initial value = x000 0000**

0C9H	Bit 7	Bit 6	Bit 5	Bit 4	Bit 3	Bit 2	Bit 1	Bit 0
<b>INTEN</b>	0	TC1IEN	TC0IEN	TOIEN	SIOIEN	P02IEN	P01IEN	P00IEN
	-	R/W	R/W	R/W	R/W	R/W	R/W	R/W

P00IEN : External P0.0 interrupt control bit. 0 = disable, 1 = enable.

P01IEN : External P0.1 interrupt control bit. 0 = disable, 1 = enable.

P02IEN : External P0.2 interrupt control bit. 0 = disable, 1 = enable.

SIOIEN : SIO interrupt control bit. 0 = disable, 1 = enable.

TOIEN : T0 timer interrupt control bit. 0 = disable, 1 = enable.

TC0IEN : Timer interrupt control bit. 0 = disable, 1 = enable.

TC1IEN : Timer interrupt control bit. 0 = disable, 1 = enable.

## INTRQ INTERRUPT REQUEST REGISTER

INTRQ is the interrupt request flag register. The register includes all interrupt request indication flags. Each one of these interrupt request occurs, the bit of the INTRQ register would be set "1". The INTRQ value needs to be clear by programming after detecting the flag. In the interrupt vector of program, users know the any interrupt requests occurring by the register and do the routine corresponding of the interrupt request.

**INTRQ initial value = x000 0000**

0C8H	Bit 7	Bit 6	Bit 5	Bit 4	Bit 3	Bit 2	Bit 1	Bit 0
<b>INTRQ</b>	0	TC1IRQ	TC0IRQ	TOIRQ	SIOIRQ	P02IRQ	P01IRQ	P00IRQ
	-	R/W	R/W	R/W	R/W	R/W	R/W	R/W

P00IRQ : External P0.0 interrupt request bit. 0 = non-request, 1 = request.

P01IRQ : External P0.1 interrupt request bit. 0 = non-request, 1 = request.

P02IRQ : External P0.2 interrupt request bit. 0 = non-request, 1 = request.

SIOIRQ : SIO interrupt request bit. 0 = non-request, 1 = request.

TOIRQ : T0 timer interrupt request control bit. 0 = non request, 1 = request.

TC0IRQ : TC0 timer interrupt request controls bit. 0 = non request, 1 = request.

TC1IRQ : TC1 timer interrupt request controls bit. 0 = non request, 1 = request.

When interrupt occurs, the related request bit of INTRQ register will be set to "1" no matter the related enable bit of INTEN register is enabled or disabled. If the related bit of INTEN = 1 and the related bit of INTRQ is also set to be "1". As the result, the system will execute the interrupt vector (ORG 8). If the related bit of INTEN = 0, moreover, the system won't execute interrupt vector even when the related bit of INTRQ is set to be "1". Users need to be cautious with the operation under multi-interrupt situation.

## INTERRUPT OPERATION DESCRIPTION

SN8P1700 provides 7 interrupts. The operation of the 7 interrupts is as following.

### GIE GLOBAL INTERRUPT OPERATION

GIE is the global interrupt control bit. All interrupts start work after the GIE = 1. It is necessary for interrupt service request. One of the interrupt requests occurs, and the program counter (PC) points to the interrupt vector (ORG 8) and the stack add 1 level.

**STKP initial value = 0xxx 1111**

0DFH	Bit 7	Bit 6	Bit 5	Bit 4	Bit 3	Bit 2	Bit 1	Bit 0
<b>STKP</b>	GIE	-	-	-	STKPB3	STKPB2	STKPB1	STKPB0
	R/W	-	-	-	R/W	R/W	R/W	R/W

GIE: Global interrupt control bit. 0 = disable, 1 = enable.

➔ **Example: Set global interrupt control bit (GIE).**

```
BOBSET      FGIE          ; Enable GIE
```

➤ **Note: The GIE bit must enable and all interrupt operations work.**

## INT0 (P0.0) INTERRUPT OPERATION

The INT0 is triggered by falling edge. When the INT0 trigger occurs, the P00IRQ will be set to "1" however the P00IEN is enable or disable. If the P00IEN = 1, the trigger event will make the P00IRQ to be "1" and the system enter interrupt vector. If the P00IEN = 0, the trigger event will make the P00IRQ to be "1" but the system will not enter interrupt vector. Users need to care for the operation under multi-interrupt situation.

### ⇒ Example: INT0 interrupt request setup.

```
BOBSET    FP00IEN    ; Enable INT0 interrupt service
BOBCLR    FP00IRQ    ; Clear INT0 interrupt request flag
BOBSET    FGIE      ; Enable GIE
```

### ⇒ Example: INT0 interrupt service routine.

```
INT_SERVICE:
    ORG      8          ; Interrupt vector
    JMP      INT_SERVICE

    BOXCH    A, ACCBUF    ; BOXCH doesn't change C, Z flag
    PUSH                    ; Push

    BOBTS1   FP00IRQ    ; Check P00IRQ
    JMP      EXIT_INT    ; P00IRQ = 0, exit interrupt vector

    BOBCLR   FP00IRQ    ; Reset P00IRQ
    .        .          ; INT0 interrupt service routine
    .        .

EXIT_INT:
    POP                    ; Pop
    BOXCH    A, ACCBUF    ; Restore ACC value.

    RETI                    ; Exit interrupt vector
```

➤ **Note:** The *PUSH* and *POP* instruction only save *L,H,R,Z,Y,X,PFLAG* and *RBANK* registers but *A* register. User must save register *A* by *BOXCH* instruction when *PUSH* command is used.

## INT1 (P0.1) INTERRUPT OPERATION

The INT1 is triggered by falling edge. When the INT1 trigger occurs, the P01IRQ will be set to "1" however the P01IEN is enable or disable. If the P01IEN = 1, the trigger event will make the P01IRQ to be "1" and the system enter interrupt vector. If the P01IEN = 0, the trigger event will make the P01IRQ to be "1" but the system will not enter interrupt vector. Users need to care for the operation under multi-interrupt situation.

### ⇒ Example: INT1 interrupt request setup.

```
BOBSET    FP01IEN    ; Enable INT1 interrupt service
BOBCLR    FP01IRQ    ; Clear INT1 interrupt request flag
BOBSET    FGIE      ; Enable GIE
```

⇒ **Example: INT1 interrupt service routine.**

```

                ORG          8          ; Interrupt vector
INT_SERVICE:   JMP          INT_SERVICE

                BOXCH       A, ACCBUF   ; BOXCH doesn't change C, Z flag
                PUSH                               ; Push

                BOBTS1      FP01IRQ    ; Check P01IRQ
                JMP          EXIT_INT   ; P01IRQ = 0, exit interrupt vector

                BOBCLR      FP01IRQ    ; Reset P01IRQ
                .           .          ; INT1 interrupt service routine
                .           .

EXIT_INT:      POP                               ; Pop
                BOXCH       A, ACCBUF   ; Restore ACC value.

                RETI                               ; Exit interrupt vector

```

## INT2 (P0.2) INTERRUPT OPERATION

The INT2 is triggered by falling edge. When the INT2 trigger occurs, the P02IRQ will be set to “1” however the P02IEN is enable or disable. If the P02IEN = 1, the trigger event will make the P02IRQ to be “1” and the system enter interrupt vector. If the P02IEN = 0, the trigger event will make the P02IRQ to be “1” but the system will not enter interrupt vector. Users need to care for the operation under multi-interrupt situation.

⇒ **Example: INT2 interrupt request setup.**

```

                BOBSET      FP02IEN    ; Enable INT2 interrupt service
                BOBCLR      FP02IRQ    ; Clear INT2 interrupt request flag
                BOBSET      FGIE       ; Enable GIE

```

⇒ **Example: INT2 interrupt service routine.**

```

                ORG          8          ; Interrupt vector
INT_SERVICE:   JMP          INT_SERVICE

                BOXCH       A, ACCBUF   ; BOXCH doesn't change C, Z flag
                PUSH                               ; Push

                BOBTS1      FP02IRQ    ; Check P02IRQ
                JMP          EXIT_INT   ; P02IRQ = 0, exit interrupt vector

                BOBCLR      FP02IRQ    ; Reset P02IRQ
                .           .          ; INT2 interrupt service routine
                .           .

EXIT_INT:      POP                               ; Pop
                BOXCH       A, ACCBUF   ; Restore ACC value.

                RETI                               ; Exit interrupt vector

```

## T0 INTERRUPT OPERATION

When the T0C counter occurs overflow, the T0IRQ will be set to "1" however the T0IEN is enable or disable. If the T0IEN = 1, the trigger event will make the T0IRQ to be "1" and the system enter interrupt vector. If the T0IEN = 0, the trigger event will make the T0IRQ to be "1" but the system will not enter interrupt vector. Users need to care for the operation under multi-interrupt situation.

### ➔ Example: T0 interrupt request setup.

```

BOBCLR    FT0IEN    ; Disable T0 interrupt service
BOBCLR    FT0ENB    ; Disable T0 timer
MOV       A, #20H   ;
BOMOV    T0M, A     ; Set T0 clock = Fcpu / 64
MOV       A, #74H   ; Set T0C initial value = 74H
BOMOV    T0C, A     ; Set T0 interval = 10 ms

BOBSET    FT0IEN    ; Enable T0 interrupt service
BOBCLR    FT0IRQ    ; Clear T0 interrupt request flag
BOBSET    FT0ENB    ; Enable T0 timer

BOBSET    FGIE      ; Enable GIE

```

### ➔ Example: T0 interrupt service routine.

```

ORG       8         ; Interrupt vector
JMP      INT_SERVICE

INT_SERVICE:

BOXCH    A, ACCBUF  ; BOXCH doesn't change C, Z flag
PUSH

BOBTS1   FT0IRQ    ; Check T0IRQ
JMP      EXIT_INT  ; T0IRQ = 0, exit interrupt vector

BOBCLR   FT0IRQ    ; Reset T0IRQ
MOV      A, #74H   ;
BOMOV   T0C, A     ; Reset T0C.
.        .         ; T0 interrupt service routine
.        .

EXIT_INT:

POP      A         ; Pop
BOXCH    A, ACCBUF ; Restore ACC value.

RETI     ; Exit interrupt vector

```

## TC0 INTERRUPT OPERATION

When the TC0C counter occurs overflow, the TC0IRQ will be set to "1" however the TC0IEN is enable or disable. If the TC0IEN = 1, the trigger event will make the TC0IRQ to be "1" and the system enter interrupt vector. If the TC0IEN = 0, the trigger event will make the TC0IRQ to be "1" but the system will not enter interrupt vector. Users need to care for the operation under multi-interrupt situation.

### ⇒ Example: TC0 interrupt request setup.

```

BOBCLR    FTC0IEN    ; Disable TC0 interrupt service
BOBCLR    FTC0ENB    ; Disable TC0 timer
MOV       A, #20H    ;
BOMOV     TC0M, A    ; Set TC0 clock = Fcpu / 64
MOV       A, #74H    ; Set TC0C initial value = 74H
BOMOV     TC0C, A    ; Set TC0 interval = 10 ms

BOBSET    FTC0IEN    ; Enable TC0 interrupt service
BOBCLR    FTC0IRQ    ; Clear TC0 interrupt request flag
BOBSET    FTC0ENB    ; Enable TC0 timer

BOBSET    FGIE       ; Enable GIE

```

### ⇒ Example: TC0 interrupt service routine.

```

ORG       8          ; Interrupt vector
JMP      INT_SERVICE
INT_SERVICE:

BOXCH    A, ACCBUF  ; BOXCH doesn't change C, Z flag
PUSH

BOBTS1   FTC0IRQ    ; Check TC0IRQ
JMP      EXIT_INT   ; TC0IRQ = 0, exit interrupt vector

BOBCLR   FTC0IRQ    ; Reset TC0IRQ
MOV      A, #74H    ;
BOMOV    TC0C, A    ; Reset TC0C.
.        .          ; TC0 interrupt service routine
.        .

EXIT_INT:

POP      A          ; Pop
BOXCH    A, ACCBUF  ; Restore ACC value.

RETI     ; Exit interrupt vector

```



## TC1 INTERRUPT OPERATION

When the TC1C counter occurs overflow, the TC1IRQ will be set to "1" however the TC1IEN is enable or disable. If the TC1IEN = 1, the trigger event will make the TC1IRQ to be "1" and the system enter interrupt vector. If the TC1IEN = 0, the trigger event will make the TC1IRQ to be "1" but the system will not enter interrupt vector. Users need to care for the operation under multi-interrupt situation.

### ⇒ Example: TC1 interrupt request setup.

```

B0BCLR    FTC1IEN    ; Disable TC1 interrupt service
B0BCLR    FT C1ENB   ; Disable TC1 timer
MOV       A, #20H    ;
B0MOV     TC1M, A    ; Set TC1 clock = Fcpu / 64
MOV       A, #74H    ; Set TC1C initial value = 74H
B0MOV     TC1C, A    ; Set TC1 interval = 10 ms

B0BSET    FTC1IEN    ; Enable TC1 interrupt service
B0BCLR    FTC1IRQ    ; Clear TC1 interrupt request flag
B0BSET    FTC1ENB    ; Enable TC1 timer

B0BSET    FGIE       ; Enable GIE

```

### ⇒ Example: TC1 interrupt service routine.

```

ORG       8          ; Interrupt vector
JMP      INT_SERVICE
INT_SERVICE:

BOXCH    A, ACCBUF   ; BOXCH doesn't change C, Z flag
PUSH

B0BTS1   FTC1IRQ    ; Check TC1IRQ
JMP      EXIT_INT   ; TC1IRQ = 0, exit interrupt vector

B0BCLR   FTC1IRQ    ; Reset TC1IRQ
MOV      A, #74H    ;
B0MOV    TC1C, A    ; Reset TC1C.
.        .          ; TC1 interrupt service routine
.        .

EXIT_INT:

POP      A          ; Pop
BOXCH    A, ACCBUF   ; Restore ACC value.

RETI     ; Exit interrupt vector

```

## SIO INTERRUPT OPERATION

When the SIO finished transmitting, the SIOIRQ will be set to "1" however the SIOIEN is enable or disable. If the SIOIEN = 1, the trigger event will make the SIOIRQ to be "1" and the system enter interrupt vector. If the SIOIEN = 0, the trigger event will make the SIOIRQ to be "1" but the system will not enter interrupt vector. Users need to care for the operation under multi-interrupt situation.

### ⇒ Example: SIO interrupt request setup.

```

BOBSET      FSIOIEN      ; Enable SIO interrupt service
BOBCLR      FSIOIRQ      ; Clear SIO interrupt request flag
BOBSET      FGIE         ; Enable GIE

```

### ⇒ Example: SIO interrupt service routine.

```

                                8      ; Interrupt vector
                                INT_SERVICE
INT_SERVICE:
                                8      ; B0XCH doesn't change C, Z flag
                                A, ACCBUF
                                PUSH    ; Push
                                B0BTS1  FSIOIRQ      ; Check SIOIRQ
                                JMP      EXIT_INT    ; SIOIRQ = 0, exit interrupt vector
                                B0BCLR   FSIOIRQ      ; Reset SIOIRQ
                                .        .           ; SIO interrupt service routine
                                .        .
EXIT_INT:
                                POP      ; Pop
                                B0XCH   A, ACCBUF    ; Restore ACC value.
                                RETI     ; Exit interrupt vector

```

## MULTI-INTERRUPT OPERATION

In most conditions, the software designer uses more than one interrupt request. Processing multi-interrupt request needs to set the priority of these interrupt requests. The IRQ flags of the 7 interrupt are controlled by the interrupt event occurring. But the IRQ flag set doesn't mean the system to execute the interrupt vector. The IRQ flags can be triggered by the events without interrupt enable. Just only any the event occurs and the IRQ will be logic "1". The IRQ and its trigger event relationship is as the below table.

<b><i>Interrupt Name</i></b>	<b><i>Trigger Event Description</i></b>
P00IRQ	P0.0 trigger. Falling edge.
P01IRQ	P0.1 trigger. Falling edge.
P02IRQ	P0.2 trigger. Falling edge.
T0IRQ	T0C overflow.
TC0IRQ	TC0C overflow.
TC1IRQ	TC1C overflow.
SIOIRQ	End of SIO transmitter operating.

There are two things need to do for multi-interrupt. One is to make a good priority for these interrupt requests. Two is using IEN and IRQ flags to decide executing interrupt service routine or not. Users have to check interrupt control bit and interrupt request flag in interrupt vector. There is a simple routine as following.

⇒ Example: How does users check the interrupt request in multi-interrupt situation?

```

ORG          8          ; Interrupt vector

BOXCH       A, ACCBUF   ; BOXCH doesn' t change C, Z flag
PUSH
INTP00CHK:  ; Push
            ; Check INT0 interrupt request
            B0BTS1     FP00IEN   ; Check P00IEN
            JMP        INTP01CHK ; Jump check to next interrupt
            B0BTS0     FP00IRQ   ; Check P00IRQ
            JMP        INTP00    ; Jump to INT0 interrupt service routine
INTP01CHK:  ; Check INT1 interrupt request
            B0BTS1     FP01IEN   ; Check P01IEN
            JMP        INTP02CHK ; Jump check to next interrupt
            B0BTS0     FP01IRQ   ; Check P01IRQ
            JMP        INTP01    ; Jump to INT1 interrupt service routine
INTP02CHK:  ; Check INT2 interrupt request
            B0BTS1     FP02IEN   ; Check P02IEN
            JMP        INTT0CHK  ; Jump check to next interrupt
            B0BTS0     FP02IRQ   ; Check P02IRQ
            JMP        INTP02    ; Jump to INT2 interrupt service routine
INTT0CHK:   ; Check T0 interrupt request
            B0BTS1     FT0IEN    ; Check T0IEN
            JMP        INTTC0CHK ; Jump check to next interrupt
            B0BTS0     FT0IRQ    ; Check T0IRQ
            JMP        INTT0     ; Jump to T0 interrupt service routine
INTTC0CHK:  ; Check TC0 interrupt request
            B0BTS1     FTC0IEN   ; Check TC0IEN
            JMP        INTTC1CHK ; Jump check to next interrupt
            B0BTS0     FTC0IRQ   ; Check TC0IRQ
            JMP        INTTC0    ; Jump to TC0 interrupt service routine
INTTC1HK:   ; Check TC1 interrupt request
            B0BTS1     FTC1IEN   ; Check TC1IEN
            JMP        INTSIOCHK ; Jump check to next interrupt
            B0BTS0     FTC1IRQ   ; Check TC1IRQ
            JMP        INTTC1    ; Jump to TC1 interrupt service routine
INTSIOCHK:  ; Check SIO interrupt request
            B0BTS1     FSIOIEN   ; Check SIOIEN
            JMP        INT_EXIT  ; Jump to exit of IRQ
            B0BTS0     FSIOIRQ   ; Check SIOIRQ
            JMP        INTSIO    ; Jump to SIO interrupt service routine
INT_EXIT:   ; Pop
            POP
            BOXCH       A, ACCBUF ; Restore ACC value.

            RETI          ; Exit interrupt vector

```

# 10 SERIAL INPUT/OUTPUT TRANSCEIVER (SIO)

## OVERVIEW

The SN8P1700 provides an 8-bit SIO interface circuit with clock rate selection. The SIOM register can control SIO operating function, such as: transmit/receive, clock rate, transfer edge and starting this circuit. This SIO circuit will TX or RX 8-bit data automatically by setting SENB and START bits in SIOM register. The SIOB is an 8-bit buffer, which is designed to store transfer data. SIOC and SIOR are designed to generate SIO's clock source with auto-reload function. The 3-bit I/O counter can monitor the operation of SIO and announce an interrupt request after transmitting/receiving 8 bits data. After transferring 8-bit data, this circuit will be disabled automatically and re-transfer data by programming SIOM register.

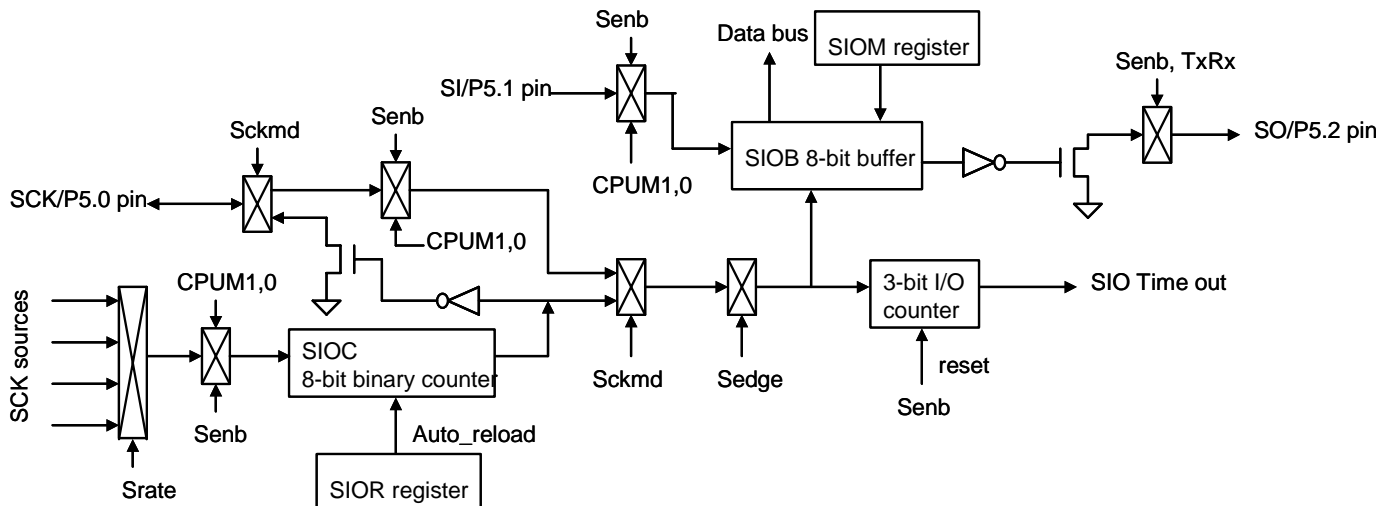
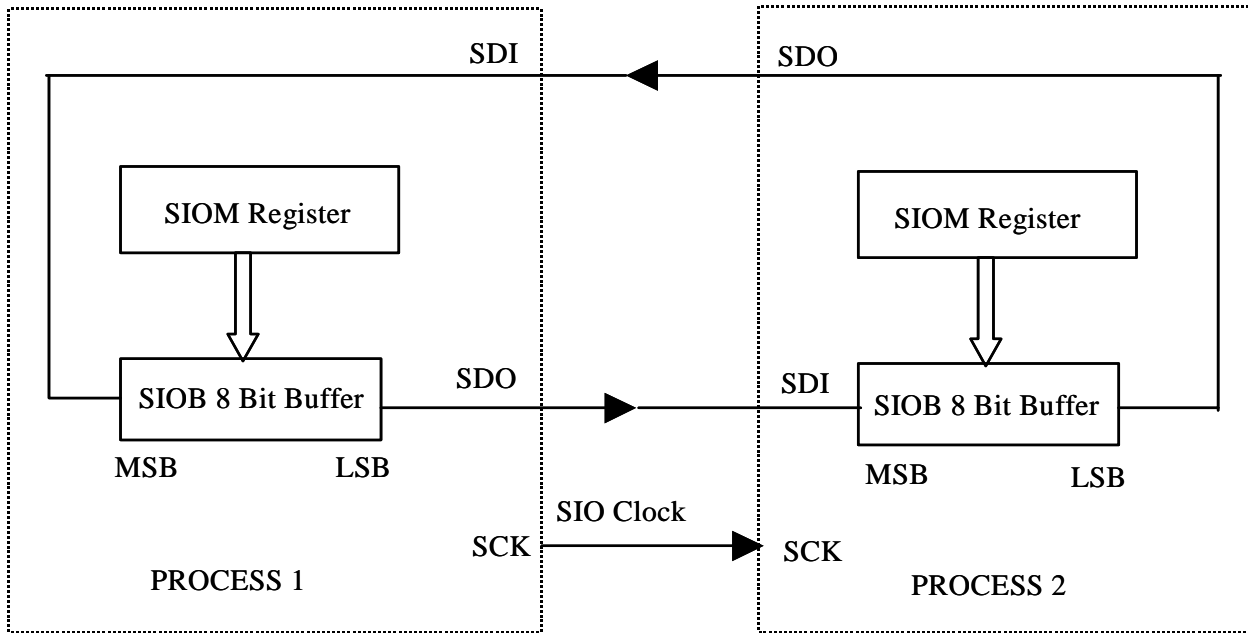


Figure 10-1. SIO Interface Circuit Diagram

Figure 9-2 shows a typical transfer between two microcontrollers. Process 1 sends SCK for initial the data transfer. Both processors must work in the same clock edge direction, then both controllers would send and receive data at the same time.



**Figure 10-2. SIO Data Transfer Diagram**

## SIOM MODE REGISTER

**SIOM initial value = 0000 x000**

0B4H	Bit 7	Bit 6	Bit 5	Bit 4	Bit 3	Bit 2	Bit 1	Bit 0
<b>SIOM</b>	SENB	START	SRATE1	SRATE0	0	SCKMD	SEdge	TXRX
	R/W	R/W	R/W	R/W	-	R/W	R/W	R/W

SENB: SIO function control bit. 0 = disable (P5.0~P5.2 is general purpose port), 1 = enable (P5.0~P5.2 is SIO pins).

START: SIO progress control bit. 0 = End of transfer, 1 = progressing.

SRATE1, 0: SIO's transfer rate select bit. 00 = fcpu/32, 01 = fcpu/16, 10 = fcpu/8, 11 = fcpu/4.

(Note: These 2-bits are workless when SCKMD=1)

SCKMD: SIO's clock mode select bit. 0 = internal, 1 = external mode.

SEdge: SIO's transfer clock edge select bit. 0 = falling edge, 1 = raising edge.

TXRX: SIO's transfer direction select bit. 0 = receiver only , 1 = transmitter/receiver full duplex.

- **Note 1: If SCKMD=1 for external clock, the SIO is in SLAVE mode.  
If SCKMD=0 for internal clock, the SIO is in MASTER mode.**
- **Note 2: Don't set SENB and START bits in the same time. That makes the SIO function error.**

Because SIO function is shared with Port5 for P5.0 as SCK, P5.1 as SI and P5.2 as SO

The following table shown the Port5[2:0] I/O mode behavior and setting when SIO function enable and disable

SENB=1 (SIO Function Enable)		
P5.0/SCK	(SCKMD=1) SIO source = External clock	P5.0 will change to Input mode automatically, no matter what P5M setting
	(SCKMD=0) SIO source = Internal clock	P5.0 will change to Output mode automatically, no matter what P5M setting
P5.1/SI	P5.1 must be set as Input mode in P5M ,or the SIO function will be abnormal	
P5.2/SO	(TXRX=1) SIO = Transmitter/Receiver	P5.2 will change to Output mode automatically, no matter what P5M setting
	(TXRX=0) SIO = Receiver only	P5.2 will change to Input mode automatically, no matter what P5M setting
SENB=0 (SIO Function Disable)		
P5.0/P5.1/P5.2	Port5[2:0] I/O mode are fully controlled by P5M when SIO function Disable	

## SI0B DATA BUFFER

**SI0B initial value = 0000 0000**

0B6H	Bit 7	Bit 6	Bit 5	Bit 4	Bit 3	Bit 2	Bit 1	Bit 0
<b>SI0B</b>	X	X	X	X	X	X	X	X
	R/W	R/W	R/W	R/W	R/W	R/W	R/W	R/W

SI0B is the SIO data buffer register. It stores serial I/O transmit and receive data.

## SI0R REGISTER DESCRIPTION

**SI0R initial value = 0000 0000**

0B5H	Bit 7	Bit 6	Bit 5	Bit 4	Bit 3	Bit 2	Bit 1	Bit 0
<b>SI0R</b>	X	X	X	X	X	X	X	X
	W	W	W	W	W	W	W	W

The SI0R is designed for the SIO counter to reload the counted value when end of counting. It is like a post-scaler of SIO clock source and let SIO has more flexible to setting SCK range. Users can set the SI0R value to setup SIO transfer time. To setup SI0R value equation to desire transfer time is as following.

$$\text{SCK frequency} = \text{SIO rate} / (256 - \text{SI0R})$$

$$\text{SI0R} = 256 - (1 / (\text{SCK frequency}) * \text{SIO rate} / 2)$$

⇒ Example: Setup the SIO clock to be 5KHz. Fosc = 3.58MHz. SIO's rate = Fcpu = Fosc/4.

$$\begin{aligned} \text{SI0R} &= 256 - (1/(5\text{KHz}) * 3.58\text{MHz}/4) \\ &= 256 - 89 \\ &= 167 \end{aligned}$$

## SIO MASTER OPERATING DESCRIPTION

Under master-transmitter situation, the SCK has two directions as following.

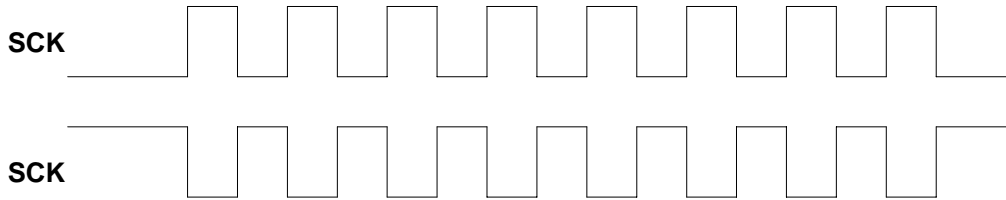


Figure 10-3. The Two SCK Directions of SIO Master Operation

### RISING EDGE TRANSMITTER/RECEIVER MODE

#### ⇒ Example: Master Tx/Rx rising edge

```

MOV          A, TXDATA          ; Load transmitted data into SIOB register.
B0MOV       SIOB, A
MOV         A, #0FFH           ; Set SIO clock with auto-reload function.
B0MOV       SIOR, A
MOV         A, #10000011B      ; Setup SIOM and enable SIO function. Rising edge.
B0MOV       SIOM, A
B0BSET      FSTART            ; Start transfer and receiving SIO data.
CHK_END:
B0BTS0      FSTART            ; Wait the end of SIO operation.
JMP         CHK_END
B0MOV       A, SIOB            ; Save SIOB data into RXDATA buffer.
MOV         RXDATA, A

```

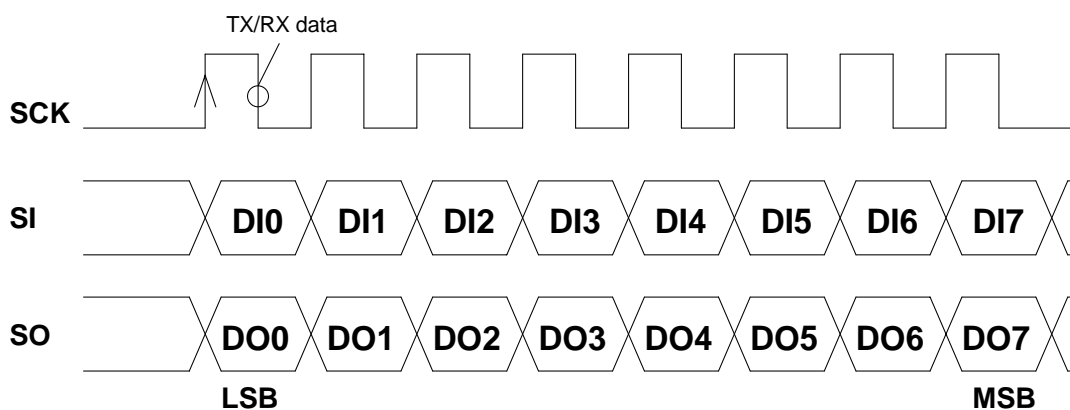


Figure 10-4. The Rising Edge Timing Diagram of Master Transfer and Receiving Operation



## FALLING EDGE TRANSMITTER/RECEIVER MODE

### ⇒ Example: Master Tx/Rx falling edge

```

MOV          A, TXDATA           ; Load transmitted data into SIOB register.
B0MOV       SIOB, A
MOV         A, #0FFH            ; Set SIO clock with auto-reload function.
B0MOV       SIOR, A
MOV         A, #10000001B       ; Setup SIOM and enable SIO function. Falling edge.
B0MOV       SIOM, A
B0BSET      FSTART              ; Start transfer and receiving SIO data.

CHK_END:
B0BTS0     FSTART               ; Wait the end of SIO operation.
JMP        CHK_END
B0MOV      A, SIOB              ; Save SIOB data into RXDATA buffer.
MOV        RXDATA, A

```

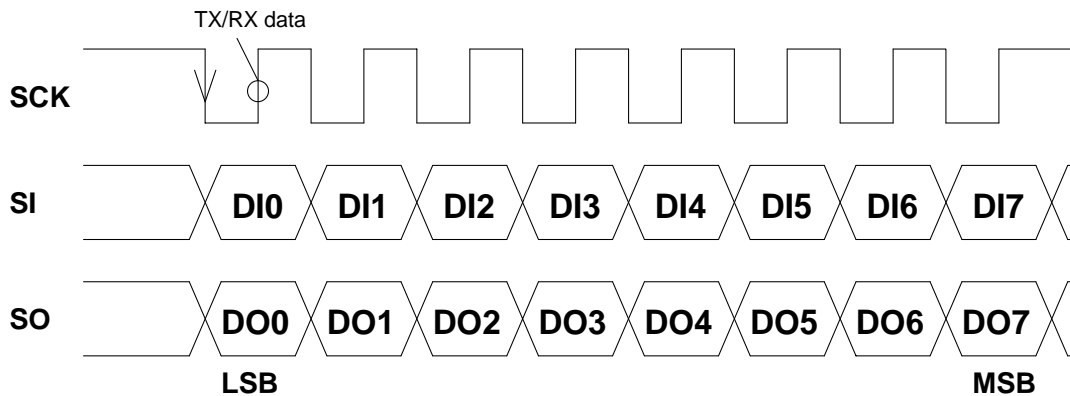


Figure 10-5. The Falling Edge Timing Diagram of Master Transfer and Receiving Operation

## RISING EDGE RECEIVER MODE

### ⇒ Example: Master Rx rising edge

```

MOV          A,#0FFH           ; Set SIO clock with auto-reload function.
B0MOV       SIOR,A
MOV          A,#10000010B      ; Setup SIOM and enable SIO function. Rising edge.
B0MOV       SIOM,A
B0BSET      FSTART           ; Start receiving SIO data.
CHK_END:
B0BTS0     FSTART           ; Wait the end of SIO operation.
JMP        CHK_END
B0MOV       A,SIOB           ; Save SIOB data into RXDATA buffer.
MOV        RXDATA,A

```

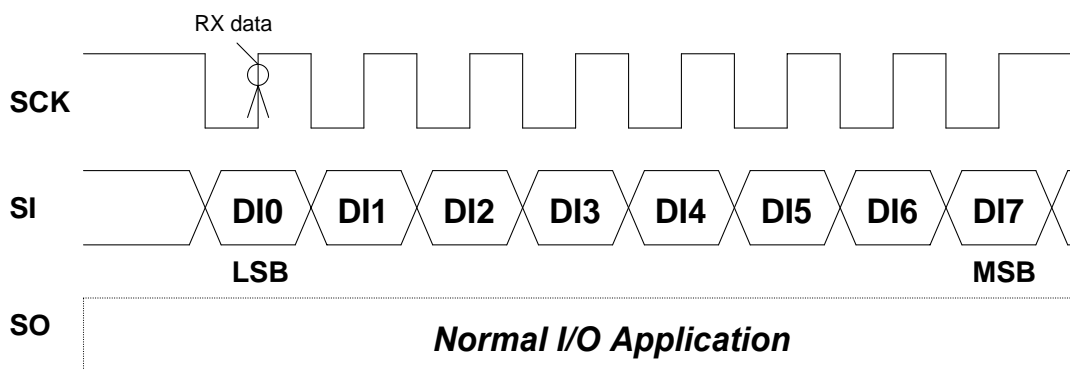


Figure 10-6. The Rising Edge Timing Diagram of Master Receiving Operation

## FALLING EDGE RECEIVER MODE

### ⇒ Example: Master Rx falling edge

```

MOV          A,#0FFH          ; Set SIO clock with auto-reload function.
B0MOV       SIOR,A
MOV         A,#10000000B      ; Setup SIOM and enable SIO function. Falling edge.
B0MOV       SIOM,A
B0BSET      FSTART           ; Start receiving SIO data.
CHK_END:
B0BTS0     FSTART           ; Wait the end of SIO operation.
JMP        CHK_END
B0MOV      A,SIOB           ; Save SIOB data into RXDATA buffer.
MOV        RXDATA,A

```

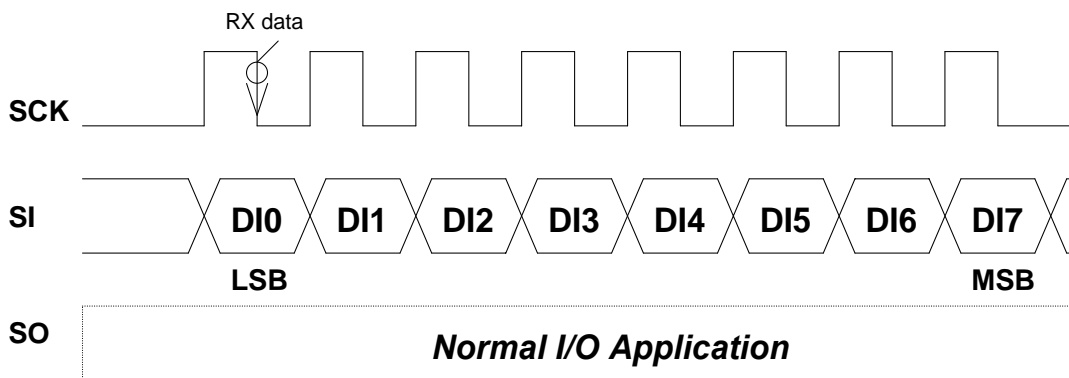


Figure 10-7. The Falling Edge Timing Diagram of Master Receiving Operation

## SIO SLAVE OPERATING DESCRIPTION

Under slave-receiver situation, the SCK has four phases as following.

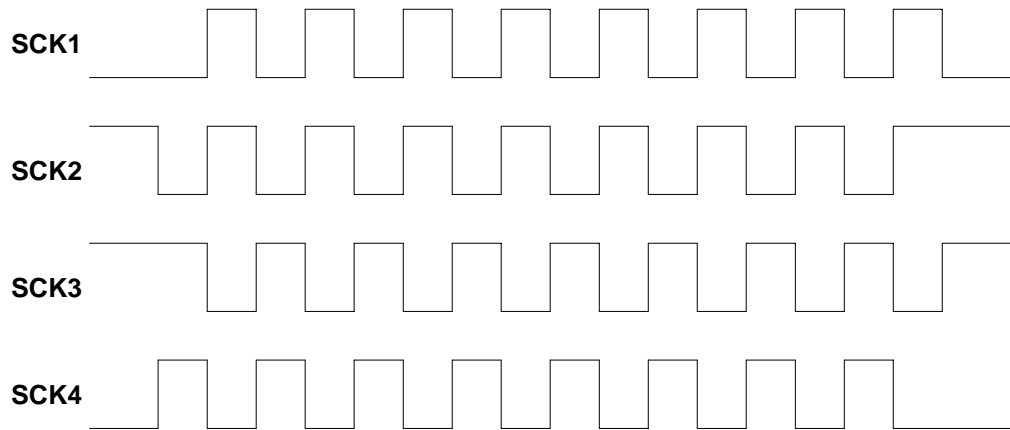


Figure 10-8. The Four Phases SCK clock of SIO Slave Operation.

## RISING EDGE TRANSMITTER/RECEIVER MODE

⇒ Example: Slave Tx/Rx rising edge

```

MOV          A,TXDATA          ; Load transfer data into SIOB register.
B0MOV       SIOB,A
MOV         A,# 10000111B      ; Setup SIOM and enable SIO function. Rising edge.
B0MOV       SIOM,A
B0BSET      FSTART            ; Start transfer and receiving SIO data.
CHK_END:
B0BTS0     FSTART            ; Wait the end of SIO operation.
JMP        CHK_END
B0MOV      A,SIOB            ; Save SIOB data into RXDATA buffer.
MOV        RXDATA,A
    
```

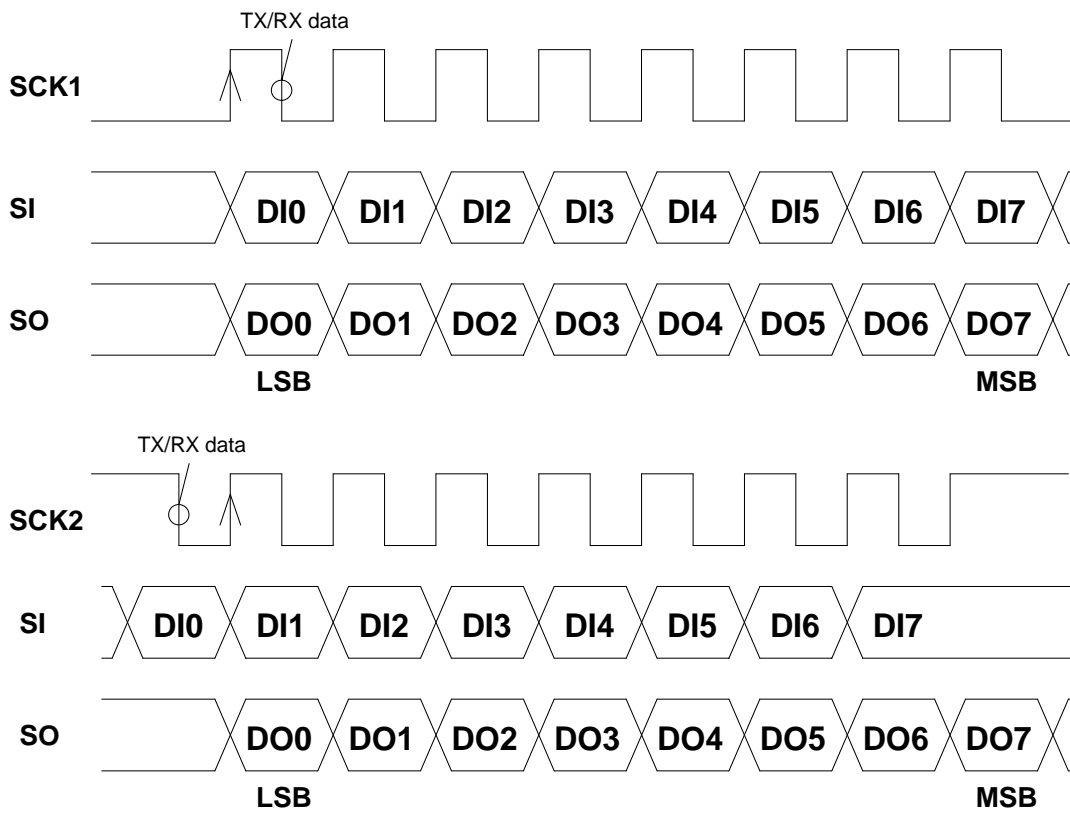


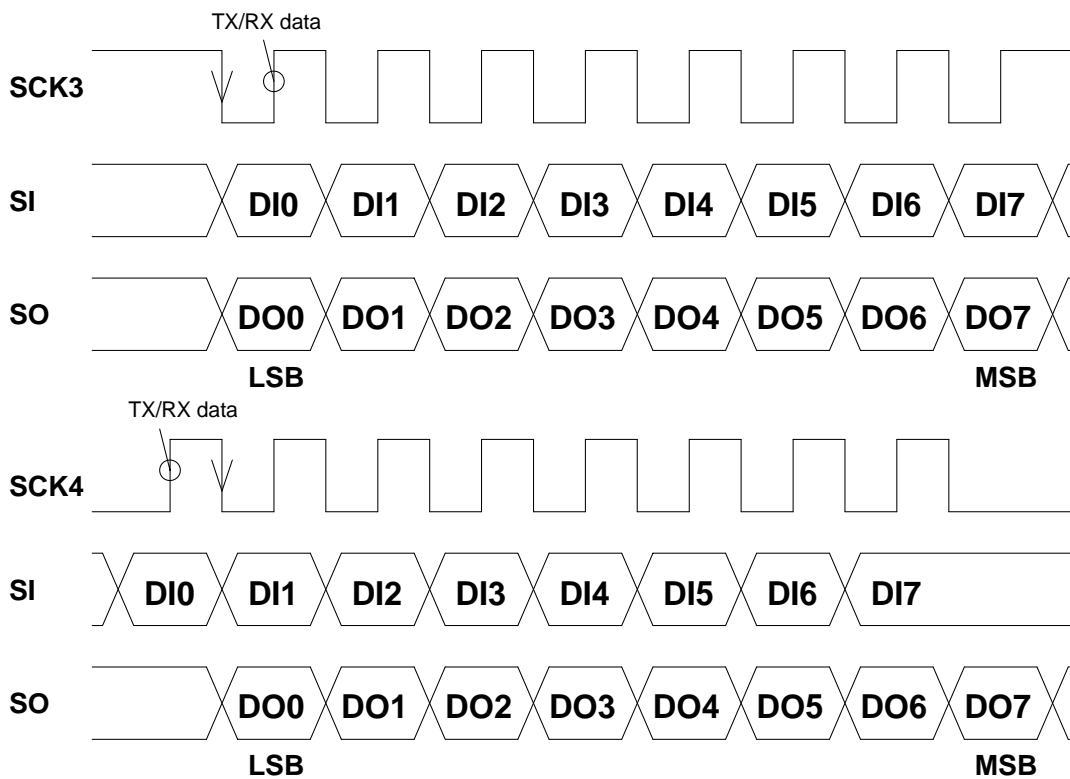
Figure 10-9. The Rising Edge Timing Diagram of Slave Transfer and Receiving Operation

## FALLING EDGE TRANSMITTER/RECEIVER MODE

⇒ **Example: Slave Tx/Rx falling edge**

```

MOV          A,TXDATA          ; Load transfer data into SIOB register.
B0MOV       SIOB,A
MOV         A,# 10000101B     ; Setup SIOM and enable SIO function. Falling edge.
B0MOV       SIOM,A
B0BSET      FSTART            ; Start transfer and receiving SIO data.
CHK_END:
B0BTS0     FSTART            ; Wait the end of SIO operation.
JMP        CHK_END
B0MOV      A,SIOB            ; Save SIOB data into RXDATA buffer.
MOV        RXDATA,A
    
```



**Figure 10-10. The Falling Edge Timing Diagram of Slave Transfer and Receiving Operation**

## RISING EDGE RECEIVER MODE

### ⇒ Example: Slave Rx rising edge

```

MOV          A,# 10000110B      ; Setup SIOM and enable SIO function. Rising edge.
B0MOV       SIOM,A
B0BSET      FSTART             ; Start receiving SIO data.
CHK_END:
B0BTS0     FSTART             ; Wait the end of SIO operation.
JMP        CHK_END
B0MOV       A,SIOB             ; Save SIOB data into RXDATA buffer.
MOV        RXDATA,A

```

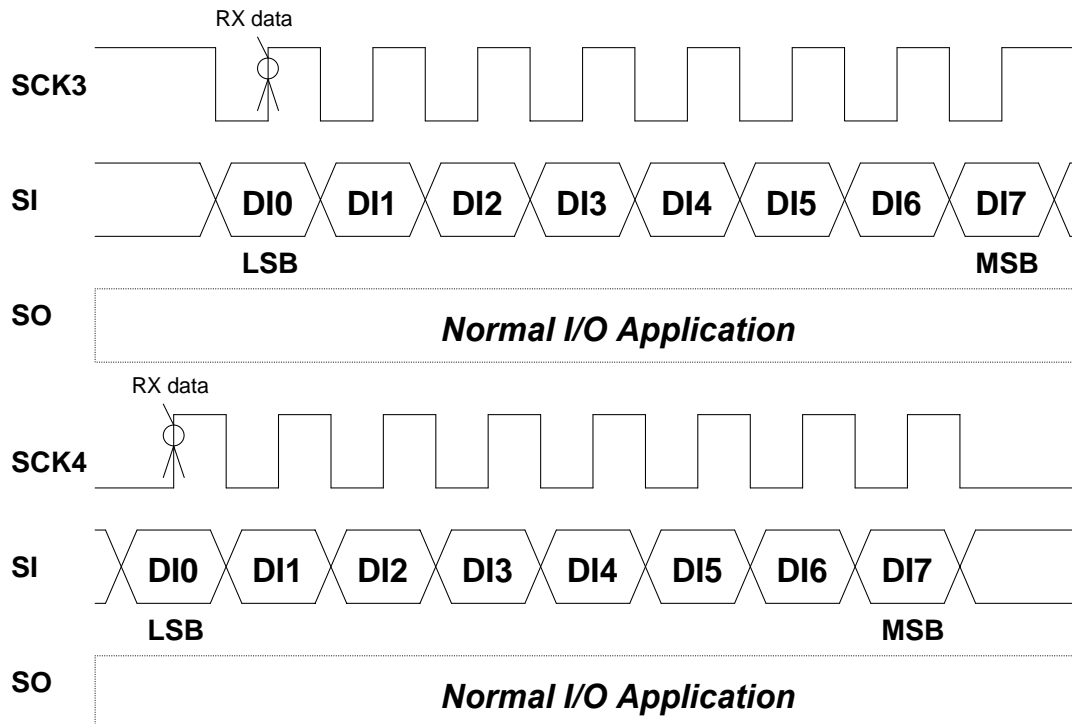


Figure 10-11. The Rising Edge Timing Diagram of Slave Receiving Operation

## FALLING EDGE RECEIVER MODE

### ⇒ Example: Slave Rx falling edge

```

MOV          A,# 10000100B      ; Setup SIOM and enable SIO function. Falling edge.
B0MOV       SIOM,A
B0BSET      FSTART              ; Start receiving SIO data.
CHK_END:
B0BTS0     FSTART              ; Wait the end of SIO operation.
JMP        CHK_END
B0MOV       A,SIOB              ; Save SIOB data into RXDATA buffer.
MOV        RXDATA,A

```

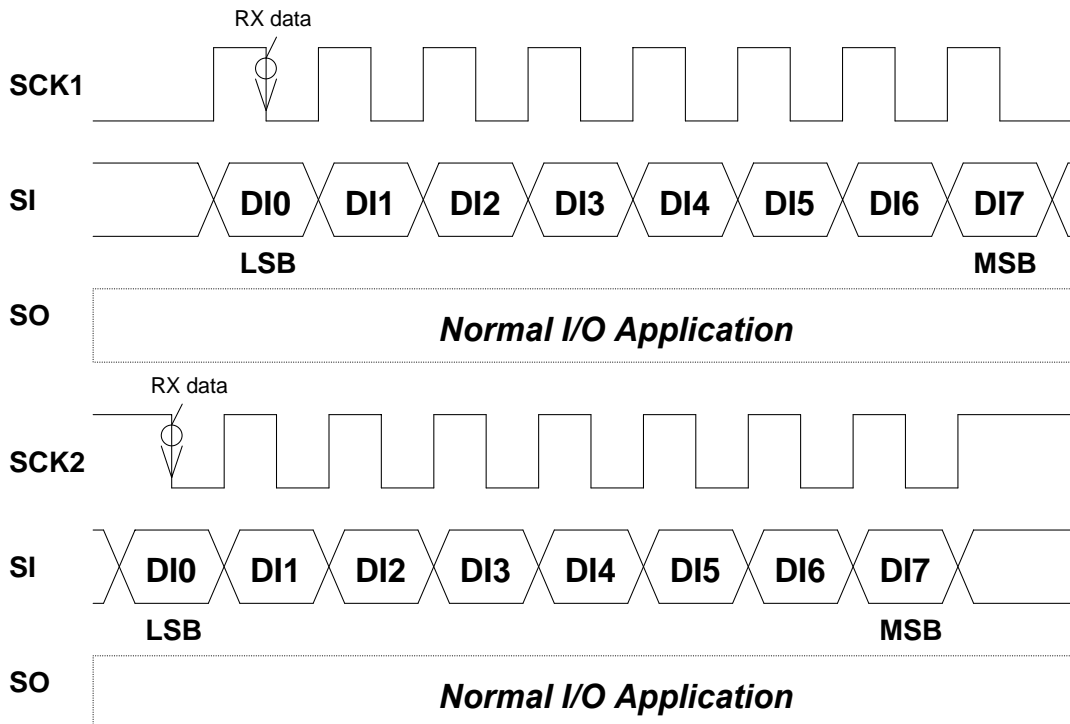


Figure 10-12. The Falling Edge Timing Diagram of Slave Receiving Operation



## SIO INTERRUPT OPERATION DESCRIPTION

The SIO provides an interrupt function. Users can process SIO data after the SIO interrupt request occurring. There is an example for the application as following.

### ➔ Example: SIO interrupt demo routine.

Main:

```

MOV      A,# 10000100B      ; Setup SIOM and enable SIO function. Falling edge.
B0MOV   SIOM,A
B0BSET  FSTART              ; Start transfer SIO data.
.
.
JMP     MAIN

```

```

ORG      8                  ; Interrupt vector

```

```

BOXCH   A, ACCBUF
PUSH

```

```

B0BTS1  FSIOIRQ
JMP     INT_EXIT
B0MOV   A,SIOB              ; Save SIOB data into RXDATA buffer.
MOV     RXDATA,A
B0BCLR  FSIOIRQ            ; Clear SIO interrupt request flag.

```

INT\_EXIT:

```

POP
BOXCH   A, ACCBUF

```

# 11 I/O PORT

## OVERVIEW

The SN8P1700 provides up to 5 ports for users' application, consisting of one input only port (P0), four I/O ports (P1, P2, P4, P5). The direction of I/O port is selected by PnM register and a macro @SET\_PUR is defined for user setting pull-up register. After the system resets, all ports work as input function without pull-up resistors.

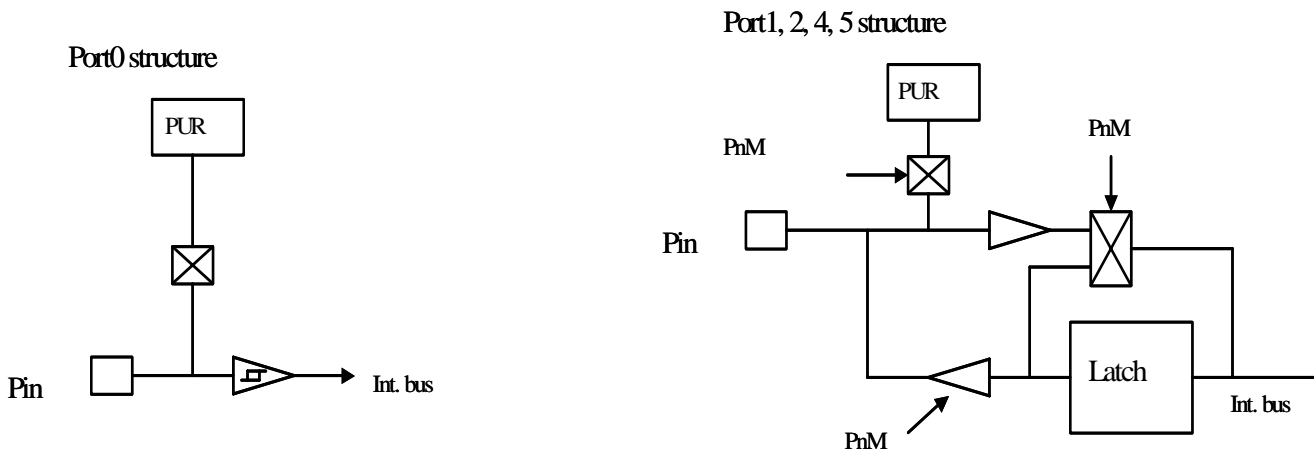


Figure 11-1. The I/O Port Block Diagram

➤ **Note :** All of the latch output circuits are push-pull structures.

## I/O PORT FUNCTION TABLE

Port/Pin	I/O	Function Description	Remark
P0.0~P0.2	I	General-purpose input function	
		External interrupt (INT0~INT2)	
		Wakeup for power down mode	
P1.0~P1.5	I/O	General-purpose input/output function	
		Wakeup for power down mode	
P2.0~P2.7	I/O	General-purpose input/output function	
P4.0~P4.7	I/O	General-purpose input/output function	
		ADC analog signal input	
P5.0	I/O	General-purpose input/output function	
		SIO clock pin.	
P5.1	I/O	General-purpose input/output function	
	I	SIO data input pin.	<b>P5M.1 must be set "0"</b>
P5.2	I/O	General-purpose input/output function	
	O	SIO data output pin.	<b>P5M.1 must be set "1"</b>
P5.3~P5.7	I/O	General-purpose input/output function	

Table 11-1. I/O Function Table

## PULL-UP RESISTERS

SN8P1700 series chips built-in pull-up resistors in port 0, port 1, port 4 and port 5. For MASK type compatible issues, SONiX 8-bit MCU assembler provide a @SET\_PUR macro to control pull-up resistors. @SET\_PUR macro only allows enable or disable pull-up resistors as a whole port.

### SN8P1702 / SN8P1704:

#### @SET\_PUR VAL

I/O Port	Port 7	Port 6	Port 5	Port 4	Port 3	Port 2	Port 1	Port 0
VAL	Bit 7	Bit 6	Bit 5	Bit 4	Bit 3	Bit 2	Bit 1	Bit 0
Disable Pull-up	Fixed "0"	Fixed "0"	0	0	Fixed "0"	Fixed "0"	0	0
Enable Pull-up			1	1			1	1

### SN8P1706 / SN8P1707 / SN8P1708:

#### @SET\_PUR VAL

I/O Port	Port 7	Port 6	Port 5	Port 4	Port 3	Port 2	Port 1	Port 0
VAL	Bit 7	Bit 6	Bit 5	Bit 4	Bit 3	Bit 2	Bit 1	Bit 0
Disable Pull-up	Fixed "0"	Fixed "0"	0	0	Fixed "0"	0	0	0
Enable Pull-up			1	1		1	1	1

#### ➔ Example 1: Enable port 0 and port 1 pull-up resistors and disable others

##### CHIP SN8P1708

```

        ORG 0x10
Main:
        .
        .
        @SET_PUR      0x03          ; Enable port 0 and port 1 pull-up resistors

```

#### ➔ Example 2: Enable all pull-up resistors

##### CHIP SN8P1708

```

        ORG 0x10
Main:
        .
        .
        @SET_PUR      0x37          ; Enable port 0, port 1, port 4 and port 5 pull-up resistors

```

#### Note:

- Enable on-chip pull-up resistors of port 0 and port 1 to avoid unpredicted wakeup in sleep mode.
- SN8P1704 and SN8P1702 must call @SET\_PUR at least one time to avoid sleep mode fail.

## I/O PORT MODE

The port direction is programmed by PnM register. Port 0 is always input mode. Port 1,2,4 and 5 can select input or output direction.

**P1M initial value = xx00 0000**

0C1H	Bit 7	Bit 6	Bit 5	Bit 4	Bit 3	Bit 2	Bit 1	Bit 0
<b>P1M</b>	0	0	P15M	P14M	P13M	P12M	P11M	P10M
	-	-	R/W	R/W	R/W	R/W	R/W	R/W

P10M~P15M: P1.0~P1.5 I/O direction control bit. 0 = input mode, 1 = output mode.

**P2M initial value = 0000 0000**

0C2H	Bit 7	Bit 6	Bit 5	Bit 4	Bit 3	Bit 2	Bit 1	Bit 0
<b>P2M</b>	P27M	P26M	P25M	P24M	P23M	P22M	P21M	P20M
	R/W	R/W	R/W	R/W	R/W	R/W	R/W	R/W

P20M~P27M: P2.0~P2.7 I/O direction control bit. 0 = input mode, 1 = output mode.

**P4M initial value = 0000 0000**

0C4H	Bit 7	Bit 6	Bit 5	Bit 4	Bit 3	Bit 2	Bit 1	Bit 0
<b>P4M</b>	P47M	P46M	P45M	P44M	P43M	P42M	P41M	P40M
	R/W	R/W	R/W	R/W	R/W	R/W	R/W	R/W

P40M~P47M: P4.0~P4.7 I/O direction control bit. 0 = input mode, 1 = output mode.

**P5M initial value = 0000 0000**

0C5H	Bit 7	Bit 6	Bit 5	Bit 4	Bit 3	Bit 2	Bit 1	Bit 0
<b>P5M</b>	P57M	P56M	P55M	P54M	P53M	P52M	P51M	P50M
	R/W	R/W	R/W	R/W	R/W	R/W	R/W	R/W

P50M~P57M: P5.0~P5.7 I/O direction control bit. 0 = input mode, 1 = output mode.

The each bit of PnM is set to "0", the I/O pin is input mode. The each bit of PnM is set to "1", the I/O pin is output mode. Input mode is with pull-up resistor controlled by setting @SET\_UP macro. The output mode disables the pull-up resistors no matter pull-up resistors is set or not.

- **The PnM registers are read/write bi-direction registers. Users can program them by bit control instructions (B0BSET, B0BCLR).**

## ⇒ Example: I/O mode selecting.

```
CLR      P1M      ; Set all ports to be input mode.  
CLR      P2M  
CLR      P4M  
CLR      P5M
```

```
MOV      A, #0FFH ; Set all ports to be output mode.  
B0MOV    P1M, A  
B0MOV    P2M, A  
B0MOV    P4M, A  
B0MOV    P5M, A
```

```
B0BCLR   P1M.5    ; Set P1.5 to be input mode.  
B0BSET   P1M.5    ; Set P1.5 to be output mode.
```

## I/O PORT DATA REGISTER

**P0 initial value = xxxx x000**

0D0H	Bit 7	Bit 6	Bit 5	Bit 4	Bit 3	Bit 2	Bit 1	Bit 0
<b>P0</b>	-	-	-	-	-	P02	P01	P00
	-	-	-	-	-	R	R	R

**P1 initial value = xx00 0000**

0D1H	Bit 7	Bit 6	Bit 5	Bit 4	Bit 3	Bit 2	Bit 1	Bit 0
<b>P1</b>	-	-	P15	P14	P13	P12	P11	P10
	-	-	R/W	R/W	R/W	R/W	R/W	R/W

**P2 initial value = 0000 0000**

0D2H	Bit 7	Bit 6	Bit 5	Bit 4	Bit 3	Bit 2	Bit 1	Bit 0
<b>P2</b>	P27	P26	P25	P24	P23	P22	P21	P20
	R/W	R/W	R/W	R/W	R/W	R/W	R/W	R/W

**P4 initial value = 0000 0000**

0D4H	Bit 7	Bit 6	Bit 5	Bit 4	Bit 3	Bit 2	Bit 1	Bit 0
<b>P4</b>	P47	P46	P45	P44	P43	P42	P41	P40
	R/W	R/W	R/W	R/W	R/W	R/W	R/W	R/W

**P5 initial value = 0000 0000**

0D5H	Bit 7	Bit 6	Bit 5	Bit 4	Bit 3	Bit 2	Bit 1	Bit 0
<b>P5</b>	P57	P56	P55	P54	P53	P52	P51	P50
	R/W	R/W	R/W	R/W	R/W	R/W	R/W	R/W

⇒ **Example: Read data from input port.**

```

B0MOV      A, P0           ; Read data from Port 0
B0MOV      A, P1           ; Read data from Port 1
B0MOV      A, P2           ; Read data from Port 2
B0MOV      A, P4           ; Read data from Port 4
B0MOV      A, P5           ; Read data from Port 5
    
```

⇒ **Example: Write data to output port.**

```

MOV        A, #55H         ; Write data 55H to Port 1, Port2, Port 4, Port 5
B0MOV      P1, A
B0MOV      P2, A
B0MOV      P4, A
B0MOV      P5, A
    
```

⇒ **Example: Write one bit data to output port.**

```
BOBSET      P1.3      ; Set P1.3 and P4.0 to be "1".
BOBSET      P4.0
BOBCLR      P2.3      ; Set P2.3 and P5.5 to be "0".
BOBCLR      P5.5
```

⇒ **Example: Port bit test.**

```
BOBTS1      P0.0      ; Bit test 1 for P0.0
BOBTS0      P1.5      ; Bit test 0 for P1.5
```



# 12 8-CHANNEL ANALOG TO DIGITAL CONVERTER

## OVERVIEW

This analog to digital converter of SN8P1700 has 8-input sources with up to 4096-step resolution to transfer analog signal into 12-bits digital data. The sequence of ADC operation is to select input source (AIN0 ~ AIN7) at first, then set GCHS and ADS bit to "1" to start conversion. When the conversion is complete, the ADC circuit will set EOC bit to "1" and final value output in ADB register. This ADC circuit can select between 8-bit and 12-bit resolution operation by programming ADLEN bit in ADR register.

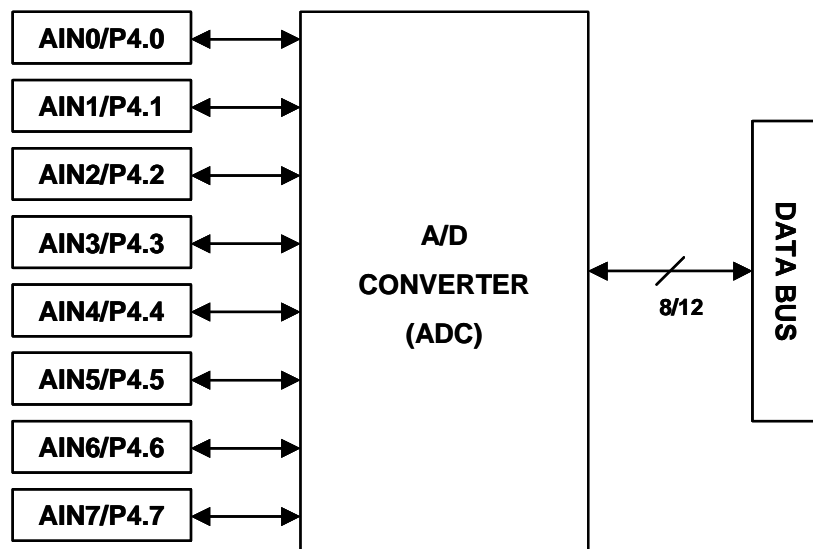


Figure 12-1. AD Converter Function Diagram

- **Note:** For 8-bit resolution the conversion time is 12 steps.  
For 12-bit resolution the conversion time is 16 steps.
- **Note:** The analog input level must be between the AVREFH and AVSS.
- **Note:** The AVREFH level must be between the AVDD and AVSS.

## ADM REGISTER

**ADM initial value = 0000 x000**

0B1H	Bit 7	Bit 6	Bit 5	Bit 4	Bit 3	Bit 2	Bit 1	Bit 0
<b>ADM</b>	ADENB	ADS	EOC	GCHS	-	CHS2	CHS1	CHS0
	R/W	R/W	R/W	R/W	-	R/W	R/W	R/W

CHS2, 1, 0: ADC input channels select bit. 000 = AIN0, 001 = AIN1, 010 = AIN2, 011 = AIN3, .. , 111 = AIN7.

GCHS: Global channel select bit. 0 = To disable AIN channel, 1 = To enable AIN channel.

EOC: ADC status bit. 0 = Progressing, 1 = End of converting and reset ADENB bit.

ADS: ADC start bit. 0 = stop, 1 = starting.

ADENB: ADC control bit. 0 = disable, 1 = enable.

## ADR REGISTERS

**ADR initial value = x00x 0000**

0B3H	Bit 7	Bit 6	Bit 5	Bit 4	Bit 3	Bit 2	Bit 1	Bit 0
<b>ADR</b>	-	ADCKS	ADLEN	0	ADB3	ADB2	ADB1	ADB0
	-	R/W	R/W	-	R	R	R	R

ADBn: ADC data buffer. ADB11~ADB4 bits for 8-bit ADC. ADB11~ADB0 bits for 12-bit ADC.

ADLEN: ADC's resolution select bits. 0 = 8-bit, 1 = 12-bit.

ADCKS: ADC's clock source select bit.

ADCKS	ADC clock source	Note
0	Fcpu/4	Both validate in Normal mode and Slow mode
1	Fhosc	Only validate in Normal mode

## ADB REGISTERS

**ADB initial value = xxxx xxxx**

0B2H	Bit 7	Bit 6	Bit 5	Bit 4	Bit 3	Bit 2	Bit 1	Bit 0
<b>ADB</b>	ADB11	ADB10	ADB9	ADB8	ADB7	ADB6	ADB5	ADB4
	R	R	R	R	R	R	R	R

ADB is ADC data buffer to store AD converter result. The ADB is only 8-bit register including bit 4~bit11 ADC data. To combine ADB register and the low-nibble of ADR will get full 12-bit ADC data buffer. The ADC buffer is a read-only register. In 8-bit ADC mode, the ADC data is stored in ADB register. In 12-bit ADC mode, the ADC data is stored in ADB and ADR registers.

**The AIN's input voltage v.s. ADB's output data**

AIN n	ADB11	ADB10	ADB9	ADB8	ADB7	ADB6	ADB5	ADB4	ADB3	ADB2	ADB1	ADB0
0/4096*AVREFH	0	0	0	0	0	0	0	0	0	0	0	0
1/4096*AVREFH	0	0	0	0	0	0	0	0	0	0	0	1
.	.	.	.	.	.	.	.	.	.	.	.	.
.	.	.	.	.	.	.	.	.	.	.	.	.
.	.	.	.	.	.	.	.	.	.	.	.	.
4094/4096*AVREFH	1	1	1	1	1	1	1	1	1	1	1	0
4095/4096*AVREFH	1	1	1	1	1	1	1	1	1	1	1	1

For different applications, users maybe need more than 8-bit resolution but less than 12-bit ADC converter. To process the ADB and ADR data can make the job well. First, the AD resolution must be set 12-bit mode and then to execute ADC converter routine. Then delete the LSB of ADC data and get the new resolution result. The table is as following.

ADC Resolution	ADB								ADR			
	ADB11	ADB10	ADB9	ADB8	ADB7	ADB6	ADB5	ADB4	ADB3	ADB2	ADB1	ADB0
8-bit	O	O	O	O	O	O	O	O	x	x	x	x
9-bit	O	O	O	O	O	O	O	O	O	x	x	x
10-bit	O	O	O	O	O	O	O	O	O	O	x	x
11-bit	O	O	O	O	O	O	O	O	O	O	O	x
12-bit	O	O	O	O	O	O	O	O	O	O	O	O

**O = Selected, x = Delete**

## ADC CONVERTING TIME

$$12\text{-bit ADC conversion time} = 1/(\text{ADC clock}/4) * 16 \text{ sec}$$

$$8\text{-bit ADC conversion time} = 1/(\text{ADC clock}/4) * 12 \text{ sec}$$

High clock (fosc) is @3.58MHz

ADLEN	ADCKS0	ADC Clock	ADC conversion time
0 (8-bit)	0	Fcpu/4	$1/((3.58\text{MHz}/4)/4/4) * 12 = 214.5 \text{ us}$
	1	Fhosc	$1/(3.58\text{MHz}/4) * 12 = 13.4 \text{ us}$
1 (12-bit)	0	Fcpu/4	$1/((3.58\text{MHz}/4)/4/4) * 16 = 286 \text{ us}$
	1	Fhosc	$1/(3.58\text{MHz}/4) * 16 = 17.9 \text{ us}$

⇒ Example : To set AIN0 ~ AIN1 for ADC input and executing 12-bit ADC

```

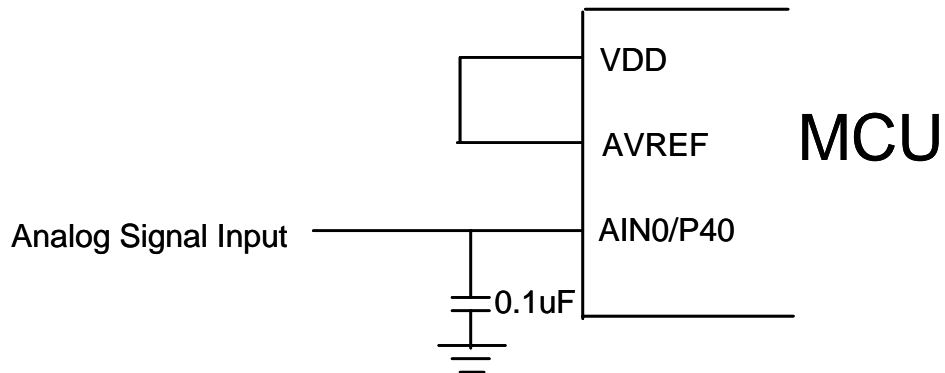
ADC0:
    MOV     A, #60H
    B0MOV  ADR, A           ; To set 12-bit ADC and ADC clock = Fosc.
    MOV     A, #90H
    B0MOV  ADM, A          ; To enable ADC and set AIN0 input
    B0BSET FADS            ; To start conversion

WADC0:
    B0BTS1 FEOC           ; To skip, if end of converting =1
    JMP    WADC0          ; else, jump to WADC0
    B0MOV  A, ADB          ; To get AIN0 input data

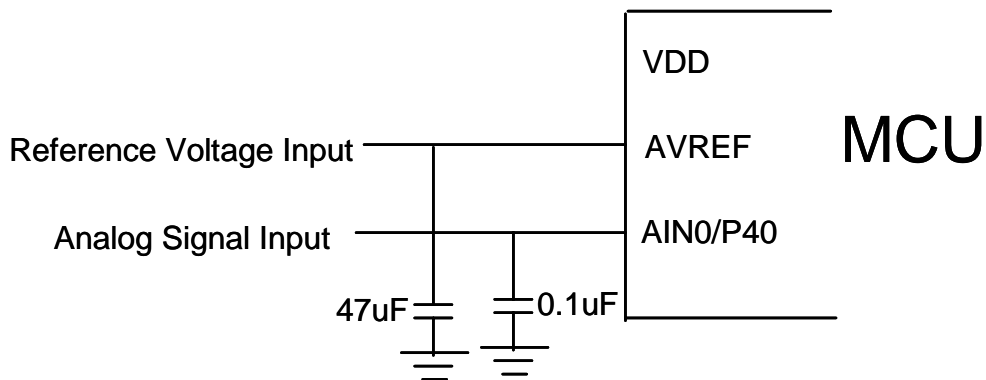
ADC1:
    MOV     A, #91H
    B0MOV  ADM, A          ; To enable ADC and set AIN1 input
    B0BSET FADS            ; To start conversion

QEXADC:
    B0BCLR FGCHS          ; To release AINx input channel
    
```

## ADC CIRCUIT



*AVREFH is connected to VDD.*



*AVREFH is connected to external AD reference voltage.*

Figure 12-2. The AINx and AVREFH Circuit of AD Converter

- **Note:** The capacitor between AIN and GND is a bypass capacitor. It is helpful to stable the analog signal. Users can omit it.

# 13 7-BIT DIGITAL TO ANALOG CONVERTER

## OVERVIEW

The D/A converter uses 7-bit structure to synthesize 128 steps' analog signal with current source output. After DAENB bit is set to "1", DAC circuit will turn to be enabled and the DAM register, from bit0 to bit6, will send digital signal to ladder resistors in order to generate analog signal on DAO pin.



Figure 13-1. The DA converter Block Diagram

In order to get a proper linear output, a Loading Resistor  $R_L$  is usually added between DAO and Ground. The example shows the result of  $V_{dd} = 5V$ ,  $R_L = 150\Omega$  and  $V_{dd} = 3V$ ,  $R_L = 150\Omega$ .

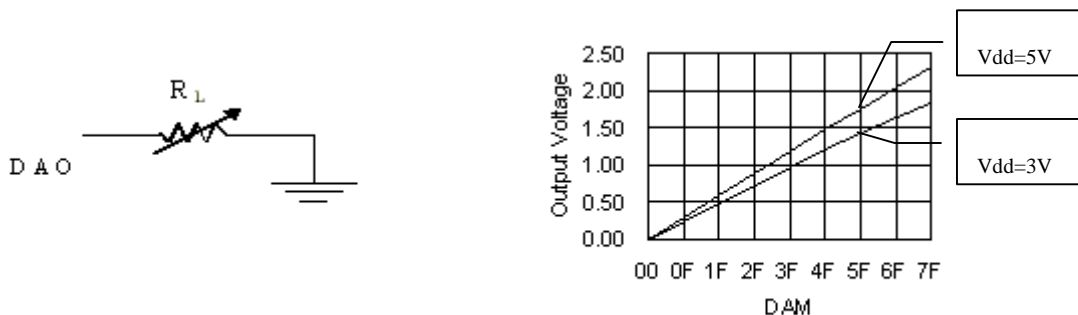


Figure 13-2 DAO Circuit with  $R_L$

Figure 13-3. DAC Output Voltage in  $V_{dd}=5V$  and  $3V$

The D/A converter is not designed for a precise DC voltage output and is suitable for a simple audio application e.g. Tone or Melody generation.

## DAM REGISTER

**DAM initial value = 0000 0000**

0B0H	Bit 7	Bit 6	Bit 5	Bit 4	Bit 3	Bit 2	Bit 1	Bit 0
<b>DAM</b>	DAENB	DAB6	DAB5	DAB4	DAB3	DAB2	DAB1	DAB0
	R/W	R/W	R/W	R/W	R/W	R/W	R/W	R/W

DAENB: Digital to Analog converter control bit. 0 = disable, 1 = enable.

DABn: Digital input data.

## D/A CONVERTER OPERATION

When the DAENB = 0, the DAO pin is output floating status. After setting DAENB to “1”, the DAO output value is controlled by DAB bits.

⇒ **Example: Output 1/2 VDD from DAO pin.**

```
MOV      A, #00111111B
BOMOV   DAM, A           ; Set DAB to a half of the full scale.

BOBSET  FDAENB          ; Enable D/A function.
```

The DAB's data v.s. DAO's output voltage as following:

DAB6	DAB5	DAB4	DAB3	DAB2	DAB1	DAB0	DAO
0	0	0	0	0	0	0	VSS
0	0	0	0	0	0	1	Idac
0	0	0	0	0	1	0	2 * Idac
0	0	0	0	0	1	1	3 * Idac
.	.	.	.	.	.	.	.
.	.	.	.	.	.	.	.
.	.	.	.	.	.	.	.
1	1	1	1	1	1	0	126 * Idac
1	1	1	1	1	1	1	127 * Idac

**Table 13-1. DAB and DAO Relative Table**

➤ **Note:**  $Idac = I_{FSO} / (2^7 - 1)$  ( $I_{FSO}$ : Full-scale Output Current)

# 14 CODING ISSUE

## TEMPLATE CODE

```

;*****
; FILENAME   : TEMPLATE.ASM
; AUTHOR    : SONiX
; PURPOSE   : Template Code for SN8X17XX
; REVISION  : 09/01/2002 V1.0   First issue
;*****
;* (c) Copyright 2002, SONiX TECHNOLOGY CO., LTD.
;*****
CHIP      SN8P1708                ; Select the CHIP

;-----
;
;                               Include Files
;-----
.nolist                            ; do not list the macro file

    INCLUDESTD  MACRO1.H
    INCLUDESTD  MACRO2.H
    INCLUDESTD  MACRO3.H

.list                               ; Enable the listing function

;-----
;
;                               Constants Definition
;-----
;   ONE          EQU      1

;-----
;
;                               Variables Definition
;-----
.DATA

    org          0h                ;Bank 0 data section start from RAM address 0x000
    Wk00B0       DS          1      ;Temporary buffer for main loop
    Iwk00B0      DS          1      ;Temporary buffer for ISR
    AccBuf       DS          1      ;Accumulater buffer
    PflagBuf     DS          1      ;PFLAG buffer

    org          100h             ;Bank 1 data section start from RAM address 0x100
    BufB1        DS          20     ;Temporary buffer in bank 1

;-----
;
;                               Bit Flag Definition
;-----
    Wk00B0_0     EQU      Wk00B0.0 ;Bit 0 of Wk00B0
    Iwk00B0_1     EQU      Iwk00B0.1 ;Bit 1 of Iwk00
;-----

```



```

;                                     Code section
;-----

.CODE

    ORG        0                ;Code section start
    jmp        Reset           ;Reset vector
                                ;Address 4 to 7 are reserved

    ORG        8
    jmp        Isr             ;Interrupt vector

    ORG        10h
;-----
;   Program reset section
;-----
Reset:
    mov        A,#07Fh         ;Initial stack pointer and
    b0mov      STKP,A          ;disable global interrupt
    b0mov      PFLAG,#00h     ;pflag = x,x,x,x,x,c,dc,z
    b0mov      RBANK,#00h     ;Set initial RAM bank in bank 0
    mov        A,#40h         ;Clear watchdog timer and initial system mode
    b0mov      OSCM,A

    call       ClrRAM          ;Clear RAM
    call       SysInit        ;System initial
    b0bset     FGIE           ;Enable global interrupt

;-----
;   Main routine
;-----
Main:
    b0bset     FWDRST         ;Clear watchdog timer

    call       MnApp

    jmp        Main

;-----
;   Main application
;-----
MnApp:

    ; Put your main program here

    ret

;-----
;   Jump table routine
;-----
    ORG        0x0100         ;The jump table should start from the head
                                ;of boundary.

    b0mov      A,Wk00
    and        A,#3
    ADD        PCL,A
    jmp        JmpSub0
    jmp        JmpSub1
    jmp        JmpSub2
;-----

```

```

JumpSub0:
    ; Subroutine 1
    jmp          JumpExit

JumpSub1:
    ; Subroutine 2
    jmp          JumpExit

JumpSub2:
    ; Subroutine 3
    jmp          JumpExit

JumpExit:
    ret                      ;Return Main

;-----
; Isr (Interrupt Service Routine)
; Arguments :
; Returns   :
; Reg Change:
;-----
Isr:
;-----
; Save ACC and system registers
;-----
    b0xch        A,AccBuf      ;B0xch instruction do not change C,Z flag
    push         ;Remark this line in SN8P1702 registers
                ;Save 80h ~ 87h system

    ;Following two lines for SN8X1702 only
    ;b0mov       A,PFLAG
    ;b0mov       PflagBuf,A

;-----
; Check which interrupt happen
;-----

IntP00Chk:
    b0bts1       FP00IEN
    jmp          IntTc0Chk      ;Modify this line for another interrupt
    b0bts0       FP00IRQ
    jmp          P00isr

    ;If necessary, insert another interrupt checking here

IntTc0Chk:
    b0bts1       FTC0IEN
    jmp          IsrExit         ;Suppose TC0 is the last interrupt which you
    b0bts0       FTC0IRQ        ;want to check
    jmp          TC0isr

```

```
;-----  
; Exit interrupt service routine  
;-----  
  
IsrExit:  
  
    ; Following two lines for SN8X1702 only  
    ;b0mov     A,PFLAG  
    ;b0mov     PflagBuf,A  
  
    pop                               ;Remark this line in SN8P1702  
                                       ;Restore 80h ~ 87h system registers  
    b0xch     A,AccBuf                 ;B0xch instruction do not change C,Z flag  
  
    reti                               ;Exit the interrupt routine  
  
;-----  
; INT0 interrupt service routine  
;-----  
P00isr:  
    b0bclr    FP00IRQ  
  
    ;Process P0.0 external interrupt here  
  
    jmp       IsrExit  
  
;-----  
; TC0 interrupt service routine  
;-----  
TC0isr:  
    b0bclr    FTC0IRQ  
  
    ;Process TC0 timer interrupt here  
  
    jmp       IsrExit  
  
;-----  
; SysInit  
; Initialize I/O, Timer, Interrupt, etc.  
;-----  
SysInit:  
  
    ret
```

```
-----  
; ClrRAM  
; Use index @YZ to clear RAM (00h~7Fh)  
-----  
  
ClrRAM:  
  
; RAM Bank 0  
  clr      Y          ;Select bank 0  
  b0mov   Z,#0x7f    ;Set @YZ address from 7fh  
  
ClrRAM10:  
  clr      @YZ       ;Clear @YZ content  
  decms   Z          ;z = z - 1 , skip next if z=0  
  jmp     ClrRAM10  
  clr      @YZ       ;Clear address 0x00  
  
; RAM Bank 1  
  mov     A,#1  
  b0mov   Y,A        ;Select bank 1  
  b0mov   Z,#0x7f    ;Set @YZ address from 17fh  
  
ClrRAM20:  
  clr      @YZ       ;Clear @YZ content  
  decms   Z          ;z = z - 1 , skip next if z=0  
  jmp     ClrRAM20  
  clr      @YZ       ;Clear address 0x100  
  ret  
  
-----  
  ENDP
```

## CHIP DECLARATION IN ASSEMBLER

Assembler	OTP Device Part Number	MASK Device Part Number
CHIP SN8P1702	SN8P1702	SN8A1702A
CHIP SN8P1704	SN8P1704	SN8A1704A
CHIP SN8P1706	SN8P1706	SN8A1706A
CHIP SN8P1707	SN8P1707	SN8A1707A
CHIP SN8P1708	SN8P1708	SN8A1708A

## PROGRAM CHECK LIST

Item	Description
<b>Pull-up Resister</b>	Use @SET_PUR macro to enable or disable on-chip pull-up resistors. Refer I/O port chapter for detailed information.
<b>Undefined Bits</b>	All bits those are marked as "0" (undefined bits) in system registers should be set "0" to avoid unpredicted system errors.
<b>ADC</b>	Set ADC input pin I/O direction as input mode and disable pull-up resister of ADC input pin
<b>SIO Master Mode</b>	Set SCK (P5.0) and SO (P5.2) pin as output mode. Set SI (P5.1) pin as input mode.
<b>SIO Slave Mode</b>	Set SO (P5.2) pin as output mode. Set SCK (P5.0) and SI (P5.1) pin as input mode.
<b>PWM0</b>	Set PWM0 (P5.4) pin as output mode.
<b>PWM1</b>	Set PWM1 (P5.3) pin as output mode.
<b>Interrupt</b>	Do not enable interrupt before initializing RAM.
<b>Non-Used I/O</b>	Non-used I/O ports should be pull-up or pull-down in input mode, or be set as low in output mode to save current consumption.
<b>Sleep Mode</b>	Enable on-chip pull-up resistors of port 0 and port 1 to avoid unpredicted wakeup.
<b>Stack Buffer</b>	Be careful of function call and interrupt service routine operation. Don't let stack buffer overflow or underflow.
<b>System Initial</b>	<ol style="list-style-type: none"> <li>1. Write 0x7F into STKP register to initial stack pointer and disable global interrupt</li> <li>2. Clear all RAM.</li> <li>3. Initialize all system register even unused registers.</li> </ol>
<b>Noisy Immunity</b>	<ol style="list-style-type: none"> <li>1. Enable OSG and High_Clk / 2 code option together</li> <li>2. Enable the watchdog option to protect system crash.</li> <li>3. Non-used I/O ports should be set as output low mode</li> <li>4. Constantly refresh important system registers and variables in RAM to avoid system crash by a high electrical fast transient noise.</li> <li>5. Enable the LVD option to improve the power on reset or brown-out reset performance</li> </ol>

# 15 INSTRUCTION SET TABLE

Field	Mnemonic	Description	C	DC	Z	Cycle
MOV	MOV A,M	$A \leftarrow M$	-	-	√	1
	MOV M,A	$M \leftarrow A$	-	-	-	1
	B0MOV A,M	$A \leftarrow M$ (bank 0)	-	-	√	1
	B0MOV M,A	$M$ (bank 0) $\leftarrow A$	-	-	-	1
	MOV A,I	$A \leftarrow I$	-	-	-	1
	B0MOV M,I	$M \leftarrow I$ , (M = only for Working registers R, Y, Z, RBANK & PFLAG)	-	-	-	1
	XCH A,M	$A \leftrightarrow M$	-	-	-	1
	B0XCH A,M	$A \leftrightarrow M$ (bank 0)	-	-	-	1
MOV R,A	$R, A \leftarrow ROM [Y,Z]$	-	-	-	2	
ADD	ADC A,M	$A \leftarrow A + M + C$ , if occur carry, then C=1, else C=0	√	√	√	1
	ADC M,A	$M \leftarrow A + M + C$ , if occur carry, then C=1, else C=0	√	√	√	1
	ADD A,M	$A \leftarrow A + M$ , if occur carry, then C=1, else C=0	√	√	√	1
	ADD M,A	$M \leftarrow A + M$ , if occur carry, then C=1, else C=0	√	√	√	1
	B0ADD M,A	$M$ (bank 0) $\leftarrow M$ (bank 0) + A, if occur carry, then C=1, else C=0	√	√	√	1
	ADD A,I	$A \leftarrow A + I$ , if occur carry, then C=1, else C=0	√	√	√	1
	SBC A,M	$A \leftarrow A - M - /C$ , if occur borrow, then C=0, else C=1	√	√	√	1
	SBC M,A	$M \leftarrow A - M - /C$ , if occur borrow, then C=0, else C=1	√	√	√	1
	SUB A,M	$A \leftarrow A - M$ , if occur borrow, then C=0, else C=1	√	√	√	1
	SUB M,A	$M \leftarrow A - M$ , if occur borrow, then C=0, else C=1	√	√	√	1
SUB	SUB A,I	$A \leftarrow A - I$ , if occur borrow, then C=0, else C=1	√	√	√	1
	DAA	To adjust ACC's data format from HEX to DEC.	√	-	-	1
MUL A,M	$R, A \leftarrow A * M$ , The LB of product stored in Acc and HB stored in R register. ZF affected by Acc.	-	-	√	2	
AND	AND A,M	$A \leftarrow A$ and M	-	-	√	1
	AND M,A	$M \leftarrow A$ and M	-	-	√	1
	AND A,I	$A \leftarrow A$ and I	-	-	√	1
	OR A,M	$A \leftarrow A$ or M	-	-	√	1
	OR M,A	$M \leftarrow A$ or M	-	-	√	1
	OR A,I	$A \leftarrow A$ or I	-	-	√	1
	XOR A,M	$A \leftarrow A$ xor M	-	-	√	1
	XOR M,A	$M \leftarrow A$ xor M	-	-	√	1
XOR A,I	$A \leftarrow A$ xor I	-	-	√	1	
SWAP	SWAP M	$A (b3\sim b0, b7\sim b4) \leftarrow M (b7\sim b4, b3\sim b0)$	-	-	-	1
	SWAPM M	$M (b3\sim b0, b7\sim b4) \leftarrow M (b7\sim b4, b3\sim b0)$	-	-	-	1
	RRC M	$A \leftarrow RRC M$	√	-	-	1
	RRCM M	$M \leftarrow RRC M$	√	-	-	1
	RLC M	$A \leftarrow RLC M$	√	-	-	1
	RLCM M	$M \leftarrow RLC M$	√	-	-	1
	CLR M	$M \leftarrow 0$	-	-	-	1
	BCLR M.b	$M.b \leftarrow 0$	-	-	-	1
	BSET M.b	$M.b \leftarrow 1$	-	-	-	1
	BOBCLR M.b	$M(\text{bank } 0).b \leftarrow 0$	-	-	-	1
BOBSET M.b	$M(\text{bank } 0).b \leftarrow 1$	-	-	-	1	
CMPRS	CMPRS A,I	ZF,C $\leftarrow A - I$ , If A = I, then skip next instruction	√	-	√	1+S
	CMPRS A,M	ZF,C $\leftarrow A - M$ , If A = M, then skip next instruction	√	-	√	1+S
	INCS M	$A \leftarrow M + 1$ , If A = 0, then skip next instruction	-	-	-	1+S
	INCMS M	$M \leftarrow M + 1$ , If M = 0, then skip next instruction	-	-	-	1+S
	DECS M	$A \leftarrow M - 1$ , If A = 0, then skip next instruction	-	-	-	1+S
	DECMS M	$M \leftarrow M - 1$ , If M = 0, then skip next instruction	-	-	-	1+S
	BTS0 M.b	If M.b = 0, then skip next instruction	-	-	-	1+S
	BTS1 M.b	If M.b = 1, then skip next instruction	-	-	-	1+S
	BOBTS0 M.b	If M(bank 0).b = 0, then skip next instruction	-	-	-	1+S
	BOBTS1 M.b	If M(bank 0).b = 1, then skip next instruction	-	-	-	1+S
JMP d	$PC15/14 \leftarrow RomPages1/0, PC13\sim PC0 \leftarrow d$	-	-	-	2	
CALL d	$Stack \leftarrow PC15\sim PC0, PC15/14 \leftarrow RomPages1/0, PC13\sim PC0 \leftarrow d$	-	-	-	2	
RET	$PC \leftarrow Stack$	-	-	-	2	
RETI	$PC \leftarrow Stack$ , and to enable global interrupt	-	-	-	2	
PUSH	To push working registers (080H-087H) into buffers	-	-	-	1	
POP	To pop working registers (080H-087H) from buffers	√	√	√	1	
NOP	No operation	-	-	-	1	
@SET_PUR VAL	Enable or disable pull-up resistors. Bit N of VAL: "0" disable port N pull-up, "1" enable port N pull-up	-	-	√	-	

**Table 15-1. Instruction Set Table of SN8P1700**

**Note 1:** Any instruction that read/write from 0SCM, will add an extra cycle.)  
**Note 2:** SN8P1702/SN8A1702 don't provide "MUL, PUSH, POP" instruction.

# 16 ELECTRICAL CHARACTERISTIC

## ABSOLUTE MAXIMUM RATING

Supply voltage (Vdd).....	(All of the voltages referenced to Vss)	- 0.3V ~ 6.0V
Input in voltage (Vin).....		Vss - 0.2V ~ Vdd + 0.2V
Operating ambient temperature (Topr).....		-20°C ~ + 70°C
Storage ambient temperature (Tstor).....		-30°C ~ + 125°C
Power consumption (Pc).....		500 mW

## STANDARD ELECTRICAL CHARACTERISTIC

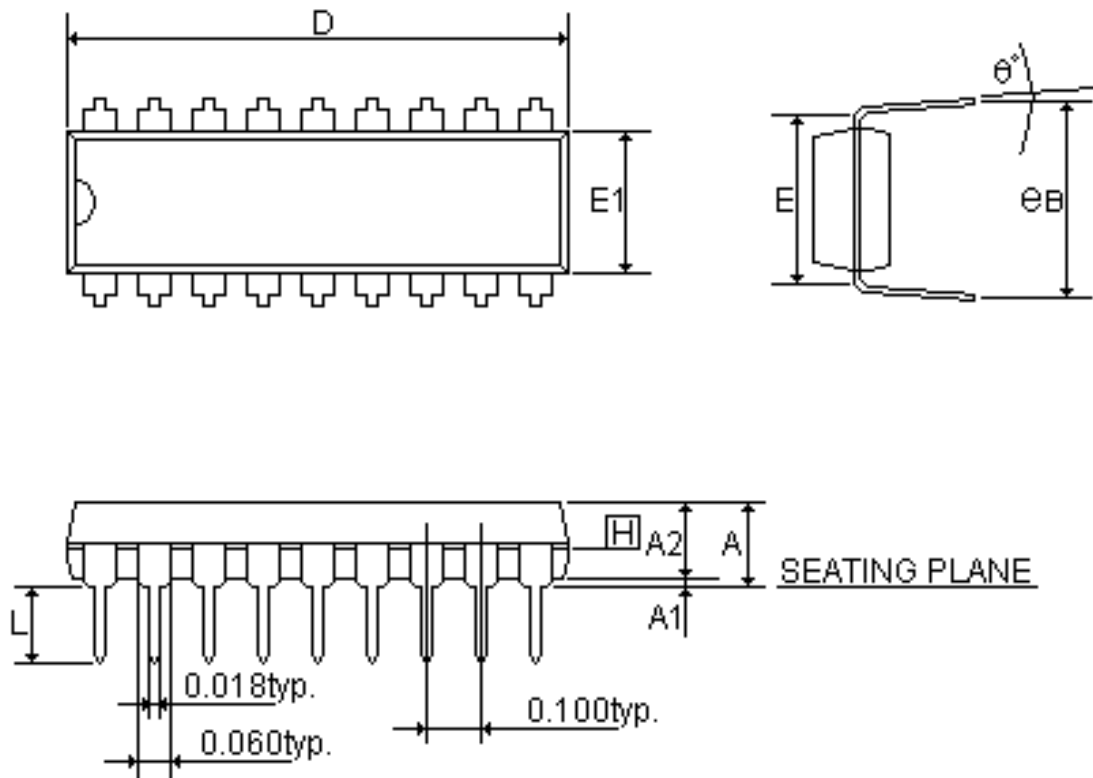
### SN8P1700 Series (OTP)

(All of voltages referenced to Vss, Vdd = 5.0V, fosc = 3.579545 MHz, ambient temperature is 25°C unless otherwise note.)

PARAMETER	SYM.	DESCRIPTION	MIN.	TYP.	MAX.	UNIT	
Operating voltage	Vdd	Normal mode, Vpp = Vdd	2.2	5.0	5.5	V	
		Programming mode, Vpp = 12.5V	4.5	5.0	5.5		
RAM Data Retention voltage	Vdr		-	1.5	-	V	
Internal POR	Vpor	Vdd rise rate to ensure internal power-on reset	-	0.05	-	V/ms	
Input Low Voltage	ViL1	All input pins except those specified below	Vss	-	0.3Vdd	V	
	ViL2	Input with Schmitt trigger buffer - Port0	Vss	-	0.2Vdd	V	
	ViL3	Reset pin ; Xin ( in RC mode )	Vss	-	0.2Vdd	V	
	ViL4	Xin ( in X'tal mode )	Vss	-	0.3Vdd	V	
Input High Voltage	ViH1	All input pins except those specified below	0.7Vdd	-	Vdd	V	
	ViH2	Input with Schmitt trigger buffer -Port0	0.8Vdd	-	Vdd	V	
	ViH3	Reset pin ; Xin ( in RC mode )	0.9Vdd	-	Vdd	V	
	ViH4	Xin ( in X'tal mode )	0.7Vdd	-	Vdd	V	
Reset pin leakage current	Ilekg	Vin = Vdd	-	-	2	uA	
I/O port pull-up resistor	Rup	Vin = Vss , Vdd = 5V	-	100	-	KΩ	
I/O port input leakage current	Ilekg	Pull-up resistor disable, Vin = Vdd	-	-	2	uA	
Port1 output source current	IoH	Vop = Vdd - 0.5V	-	12	-	mA	
	IoL	Vop = Vss + 0.5V	-	15	-		
Port2 output source current	IoH	Vop = Vdd - 0.5V	-	12	-	mA	
	IoL	Vop = Vss + 0.5V	-	15	-		
Port4 output source current	IoH	Vop = Vdd - 0.5V	-	12	-	mA	
	IoL	Vop = Vss + 0.5V	-	15	-		
Port5 output source current	IoH	Vop = Vdd - 0.5V	-	12	-	mA	
	IoL	Vop = Vss + 0.5V	-	15	-		
INTn trigger pulse width	Tint0	INT0 ~ INT2 interrupt request pulse width	2/fcpu	-	-	cycle	
AVREFH input voltage	Varef	Vdd = 5.0V	1.2V	-	Vdd	V	
AIN0 ~ AIN7 input voltage	Vani		Vss+0.2	-	Avref	V	
Oscillator Frequency	Fosc	Crystal type or ceramic resonator	32768	4M	16M	Hz	
		VDD = 3V, RC type for external mode	-	6M	-		
		VDD = 5V, RC type for external mode	-	10M	-		
Supply Current (Disable ADC and LVD)	Idd1	Run Mode	Vdd= 5V 4Mhz	-	7	15	mA
			Vdd= 3V 4Mhz	-	1.5	3	mA
			Vdd= 3V 32768Hz	-	50	100	uA
	Idd2	Slow mode (Stop High Clock)	Vdd= 5V 32KHz Int RC	-	80	150	uA
			Vdd= 3V 16KHz Int RC	-	15	30	uA
	Idd3	Sleep mode	Vdd= 5V	-	10	18	uA
Vdd= 3V			-	3	6	uA	
LVD Detect Voltage	Vdet	Low voltage detect level	-	2.4	-	V	
Voltage detector current	Ivdet	LVD enable operating current	-	100	180	uA	
ADC current consumption	I <sub>ADC</sub>	Vdd=5.0V	-	0.6	1	mA	
		Vdd=3.0V	-	0.4	0.8	mA	
DAC Full-scale Output Current	I <sub>FSO</sub>	Vdd=5V, RL =150ohm	-	12	-	mA	

# 17 PACKAGE INFORMATION

## P-DIP18 PIN

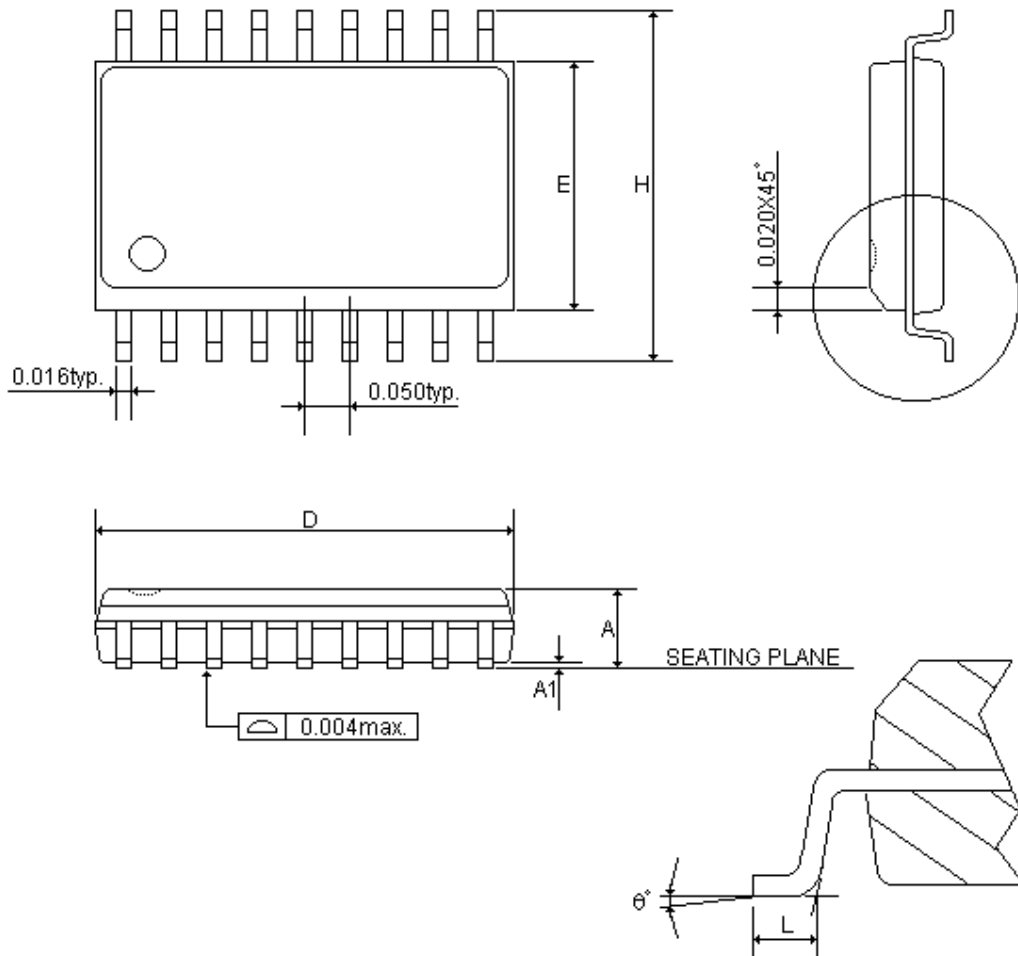


Symbols	MIN.	NOR.	MAX.
A	-	-	0.210
A1	0.015	-	-
A2	0.125	0.130	0.135
D	0.880	0.900	0.920
E	0.300BSC.		
E1	0.245	0.250	0.255
L	0.115	0.130	0.150
eB	0.335	0.355	0.375
$\theta^\circ$	0	7	15

UNIT : INCH



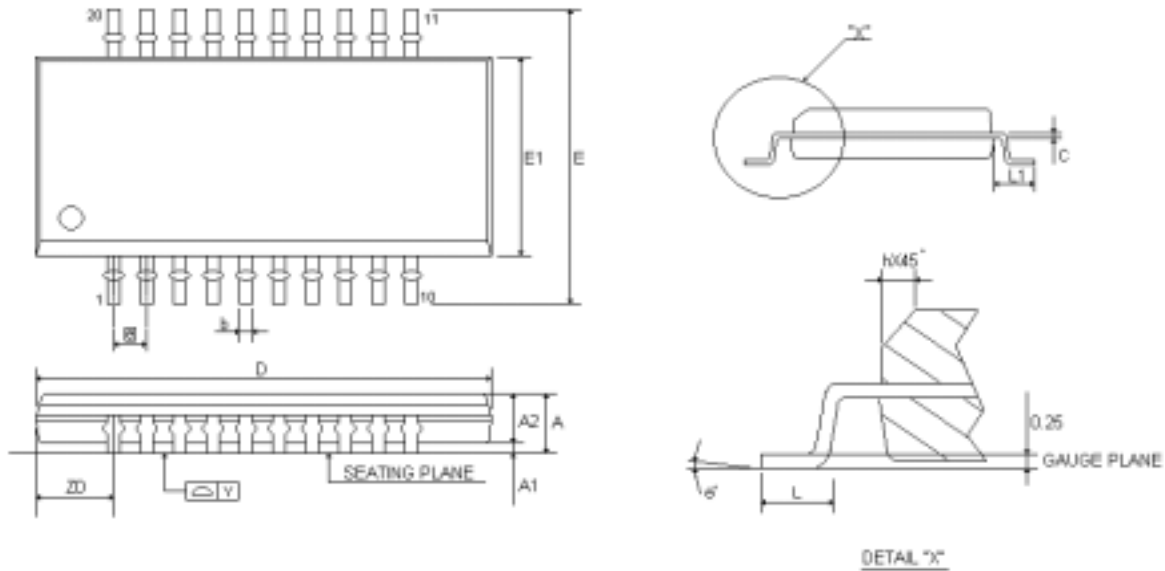
## SOP18 PIN



Symbols	MIN.	MAX.
A	0.093	0.104
A1	0.004	0.012
D	0.447	0.463
E	0.291	0.299
H	0.394	0.419
L	0.016	0.050
$\theta$ °	0	8

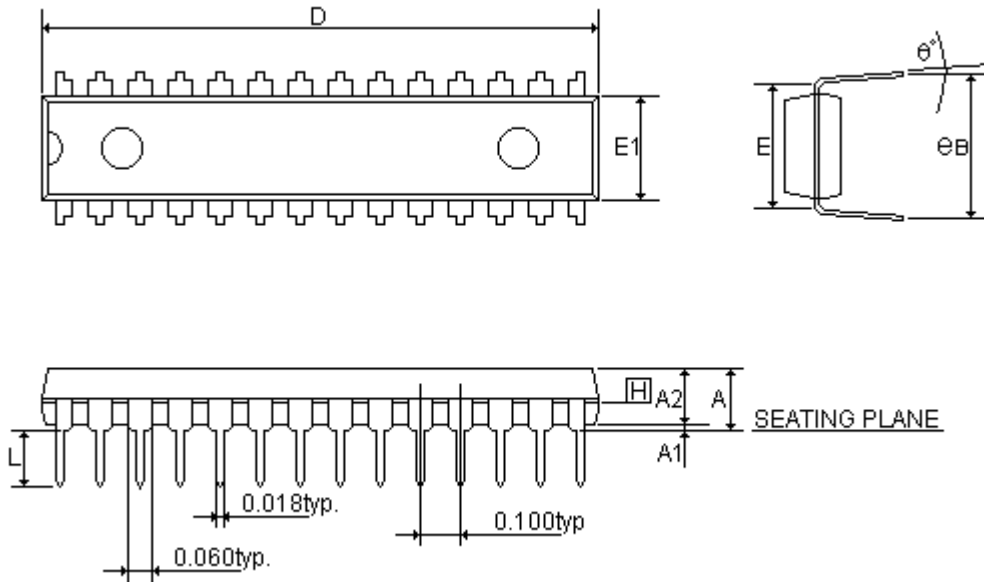
UNIT : INCH

## SSOP20 PIN



Symbols	DIMENSION (MM)			DIMENSION (MIL)		
	MIN.	NOM.	MAX.	MIN.	NOM.	MAX.
A	1.35	1.60	1.75	53	63	69
A1	0.10	0.15	0.25	4	6	10
A2	-	-	1.50	-	-	59
b	0.20	0.254	0.30	8	10	12
b1	0.20	0.254	0.28	8	11	11
C	0.18	0.203	0.25	7	8	10
C1	0.18	0.203	0.23	7	8	9
D	8.56	8.66	8.74	337	341	344
E	5.80	6.00	6.20	228	236	244
E1	3.80	3.90	4.00	150	154	157
e	0.635 BSC			25 BSC		
h	0.25	0.42	0.50	10	17	20
L	0.40	0.635	1.27	16	25	50
L1	1.00	1.05	1.10	39	41	43
ZD	1.50 REF			58 REF		
Y	-	-	0.10	-	-	4
$\theta$ °	0°	-	8°	0°	-	8°

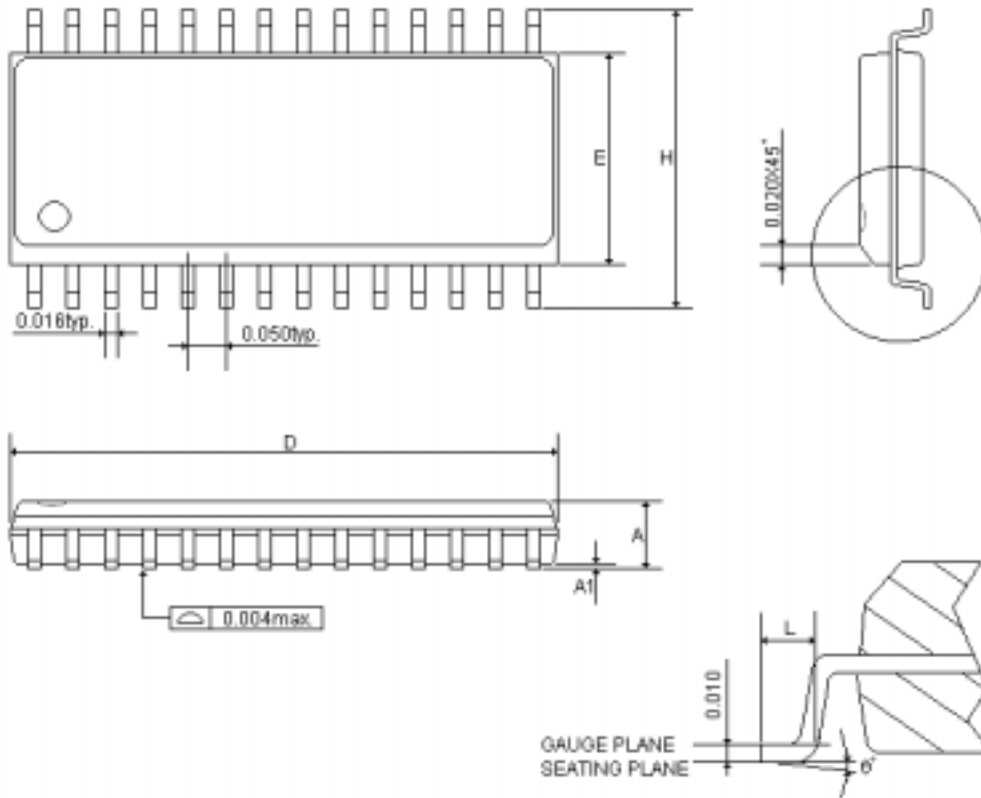
## S-DIP28 PIN



Symbols	MIN.	NOR.	MAX.
A	-	-	0.210
A1	0.015	-	-
A2	0.114	0.130	0.135
D	1.390	1.390	1.400
E	0.310BSC.		
E1	0.283	0.288	0.293
L	0.115	0.130	0.150
e <sub>B</sub>	0.330	0.350	0.370
θ °	0	7	15

UNIT : INCH

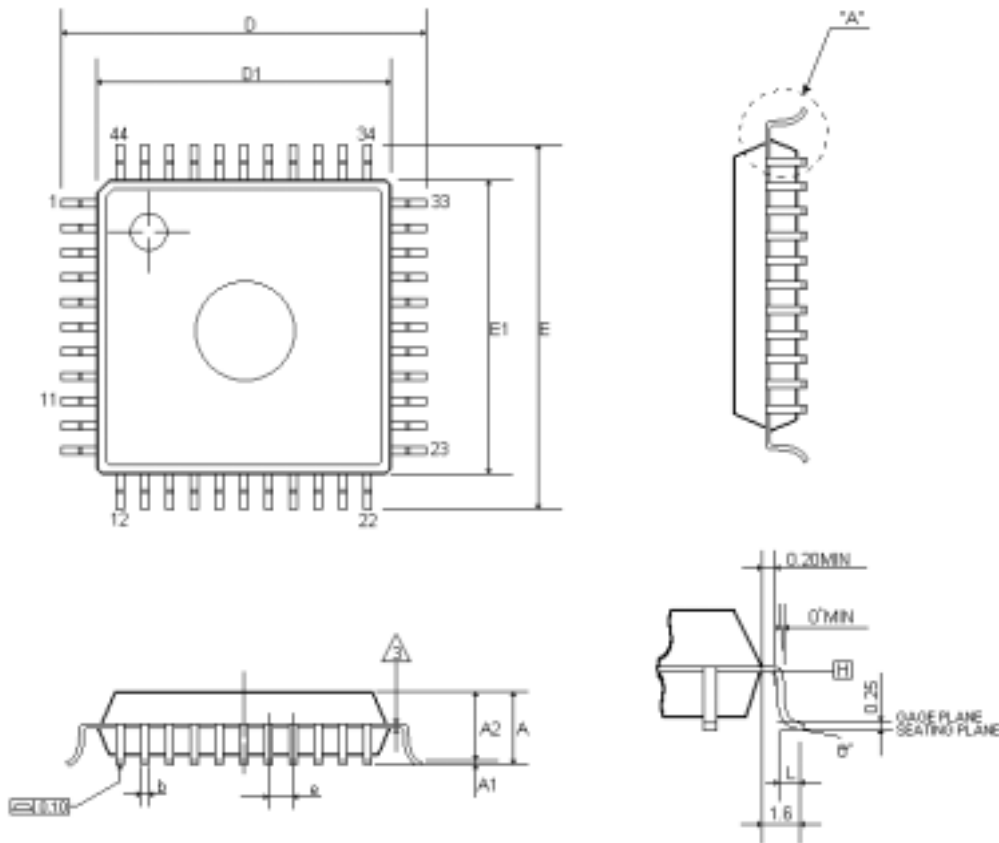
## SOP28 PIN



Symbols	MIN.	MAX.
A	0.093	0.104
A1	0.004	0.012
D	0.697	0.713
E	0.291	0.299
H	0.394	0.419
L	0.016	0.050
$\theta^\circ$	0	8

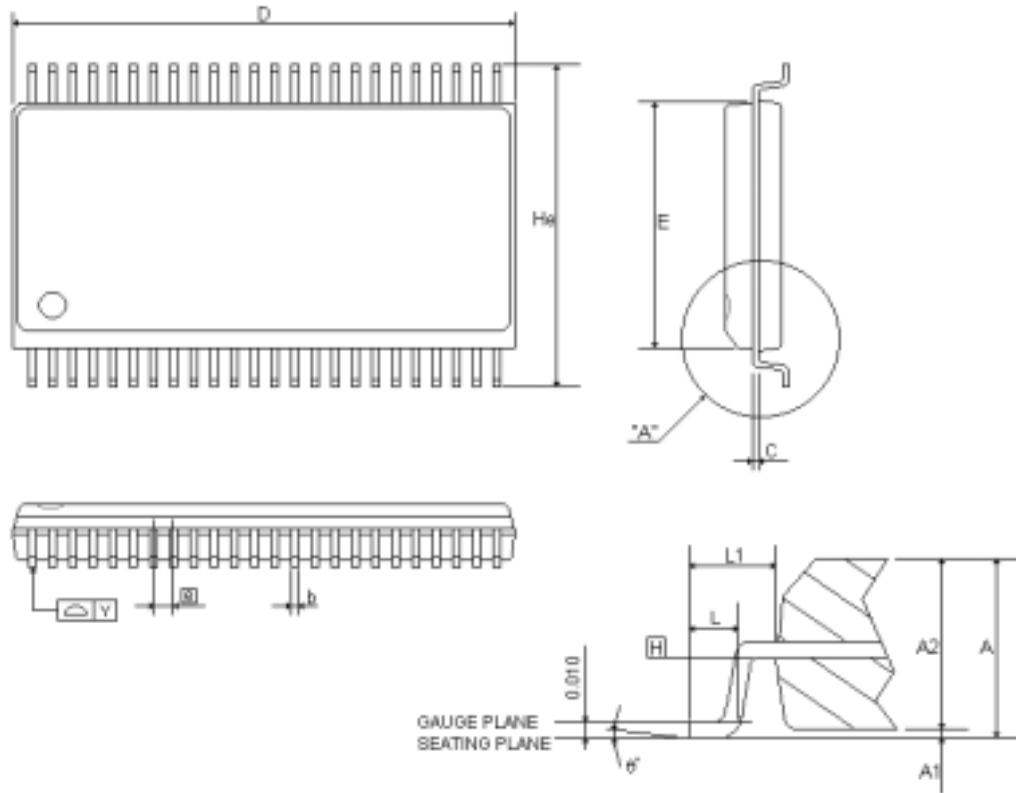
UNIT : INCH

## QFP 44 PIN



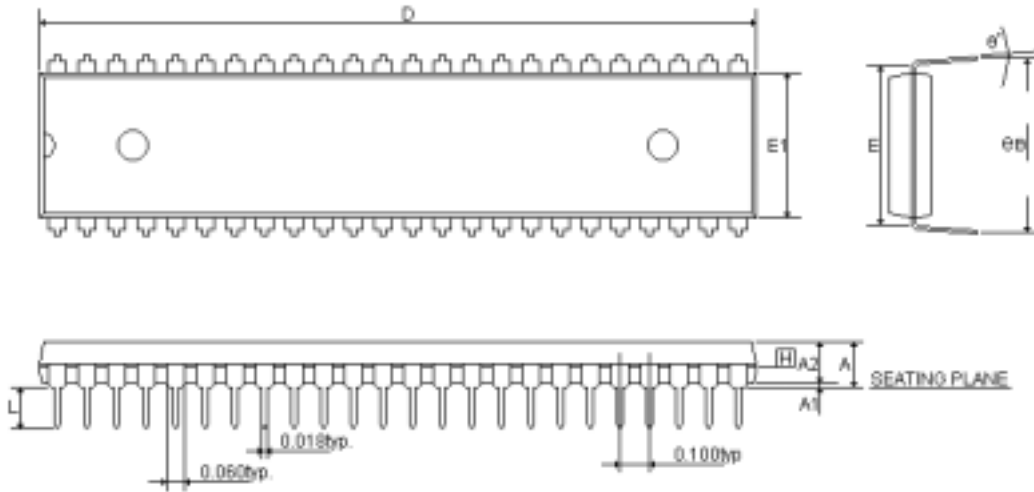
SYMBOLS	MIN	NOR	MAX	MIN	NOR	MAX
	(inch)			(mm)		
A	-	-	0.106	-	-	2.700
A1	0.010	0.012	0.014	0.250	0.300	0.350
A2	0.075	0.079	0.087	1.900	2.000	2.200
b	0.012			0.300		
C	0.004	0.006	0.008	0.100	0.150	0.200
D	0.512	0.520	0.528	13.000	13.200	13.400
D1	0.390	0.394	0.398	9.900	10.000	10.100
E	0.512	0.520	0.528	13.000	13.200	13.400
E1	0.390	0.394	0.398	9.900	10.000	10.100
L	0.029	0.035	0.037	0.730	0.880	0.930
[e]	0.031			0.800		
$\theta^\circ$	0°	-	7°	0°	-	7°

## SSOP 48 PIN



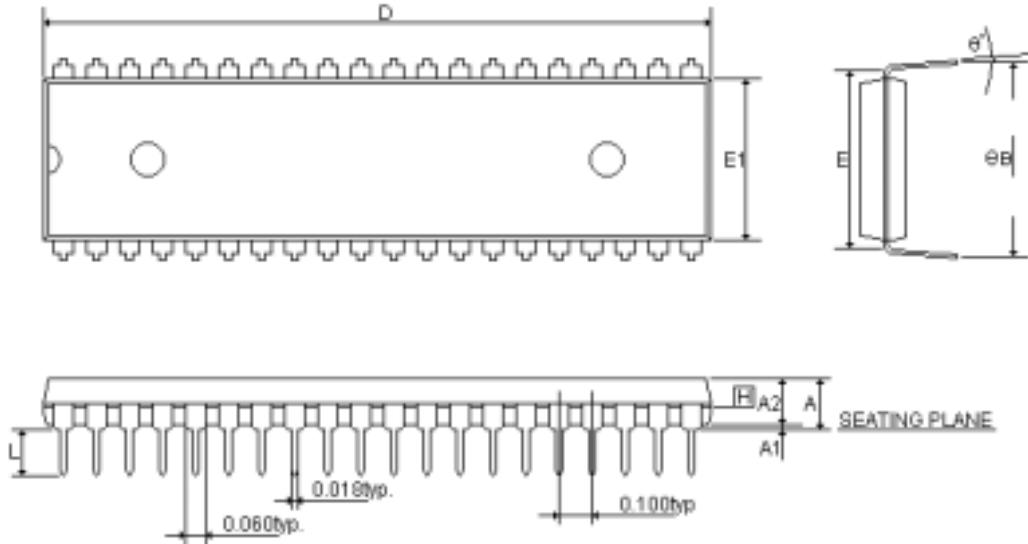
SYMBOLS	MIN	NOR	MAX	MIN	NOR	MAX
	(inch)			(mm)		
A	0.095	0.102	0.110	2.413	2.591	2.794
A1	0.008	0.012	0.016	0.203	0.305	0.406
A2	0.089	0.094	0.099	2.261	2.388	2.515
b	0.008	0.010	0.030	0.203	0.254	0.762
C	-	0.008	-	-	0.203	-
D	0.620	0.625	0.630	15.748	15.875	16.002
E	0.291	0.295	0.299	7.391	7.493	7.595
[e]	-	0.025	-	-	0.635	-
He	0.396	0.406	0.416	10.058	10.312	10.566
L	0.020	0.030	0.040	0.508	0.762	1.016
L1	-	0.056	-	-	1.422	-
Y	-	-	0.003	-	-	0.076
$\theta^\circ$	0°	-	8°	0°	-	8°

## P-DIP 48 PIN



SYMBOLS	MIN	NOR	MAX	MIN	NOR	MAX
	(inch)			(mm)		
<b>A</b>	-	-	<b>0.220</b>	-	-	<b>5.588</b>
<b>A1</b>	<b>0.015</b>	-	-	<b>0.381</b>	-	-
<b>A2</b>	<b>0.150</b>	<b>0.155</b>	<b>0.160</b>	<b>3.810</b>	<b>3.937</b>	<b>4.064</b>
<b>D</b>	<b>2.400</b>	<b>2.450</b>	<b>2.550</b>	<b>60.960</b>	<b>62.230</b>	<b>64.770</b>
<b>E</b>	<b>0.600</b>			<b>15.240</b>		
<b>E1</b>	<b>0.540</b>	<b>0.545</b>	<b>0.550</b>	<b>13.716</b>	<b>13.843</b>	<b>13.970</b>
<b>L</b>	<b>0.115</b>	<b>0.130</b>	<b>0.150</b>	<b>2.921</b>	<b>3.302</b>	<b>3.810</b>
<b>eB</b>	<b>0.630</b>	<b>0.650</b>	<b>0.067</b>	<b>16.002</b>	<b>16.510</b>	<b>1.702</b>
<b>θ°</b>	<b>0°</b>	<b>7°</b>	<b>15°</b>	<b>0°</b>	<b>7°</b>	<b>15°</b>

## P-DIP 40 PIN



SYMBOLS	MIN	NOR	MAX	MIN	NOR	MAX
	(inch)			(mm)		
<b>A</b>	-	-	<b>0.220</b>	-	-	<b>5.588</b>
<b>A1</b>	<b>0.015</b>	-	-	<b>0.381</b>	-	-
<b>A2</b>	<b>0.150</b>	<b>0.115</b>	<b>0.160</b>	<b>3.810</b>	<b>2.921</b>	<b>4.064</b>
<b>D</b>	<b>2.055</b>	<b>2.060</b>	<b>2.070</b>	<b>52.197</b>	<b>52.324</b>	<b>52.578</b>
<b>E</b>	<b>0.600</b>			<b>15.240</b>		
<b>E1</b>	<b>0.540</b>	<b>0.545</b>	<b>0.550</b>	<b>13.716</b>	<b>13.843</b>	<b>13.970</b>
<b>L</b>	<b>0.115</b>	<b>0.130</b>	<b>0.150</b>	<b>2.921</b>	<b>3.302</b>	<b>3.810</b>
<b>eB</b>	<b>0.630</b>	<b>0.650</b>	<b>0.067</b>	<b>16.002</b>	<b>16.510</b>	<b>1.702</b>
<b>θ°</b>	<b>0°</b>	<b>7°</b>	<b>15°</b>	<b>0°</b>	<b>7°</b>	<b>15°</b>



SONIX reserves the right to make change without further notice to any products herein to improve reliability, function or design. SONIX does not assume any liability arising out of the application or use of any product or circuit described herein; neither does it convey any license under its patent rights nor the rights of others. SONIX products are not designed, intended, or authorized for use as components in systems intended, for surgical implant into the body, or other applications intended to support or sustain life, or for any other application in which the failure of the SONIX product could create a situation where personal injury or death may occur. Should Buyer purchase or use SONIX products for any such unintended or unauthorized application. Buyer shall indemnify and hold SONIX and its officers, employees, subsidiaries, affiliates and distributors harmless against all claims, cost, damages, and expenses, and reasonable attorney fees arising out of, directly or indirectly, any claim of personal injury or death associated with such unintended or unauthorized use even if such claim alleges that SONIX was negligent regarding the design or manufacture of the part.

**Main Office:**

Address: 9F, NO. 8, Hsien Cheng 5th St, Chupei City, Hsinchu, Taiwan R.O.C.

Tel: 886-3-551 0520

Fax: 886-3-551 0523

**Taipei Office:**

Address: 15F-2, NO. 171, Song Ted Road, Taipei, Taiwan R.O.C.

Tel: 886-2-2759 1980

Fax: 886-2-2759 8180

**Hong Kong Office:**

Address: Flat 3 9/F Energy Plaza 92 Granville Road, Tsimshatsui East Kowloon.

Tel: 852-2723 8086

Fax: 852-2723 9179

**Technical Support by Email:**

Sn8fae@sonix.com.tw