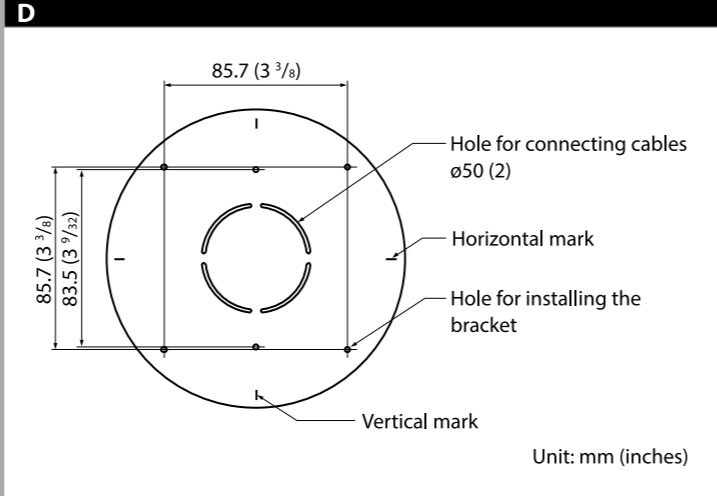
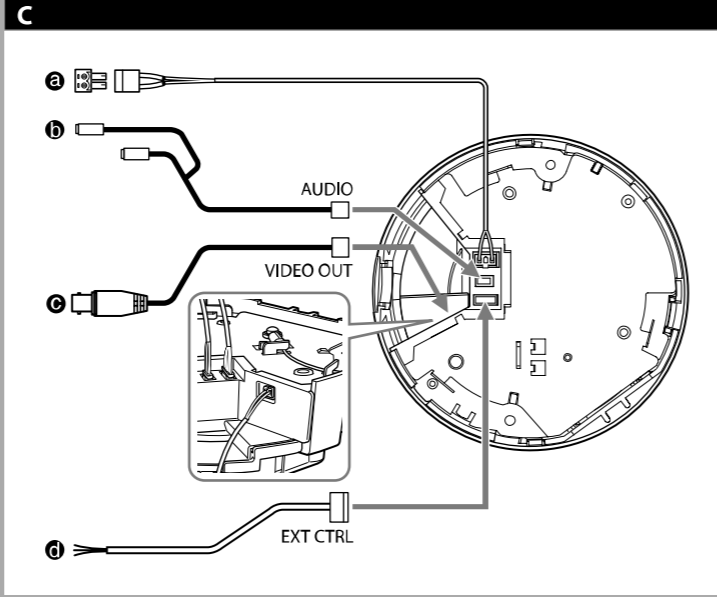
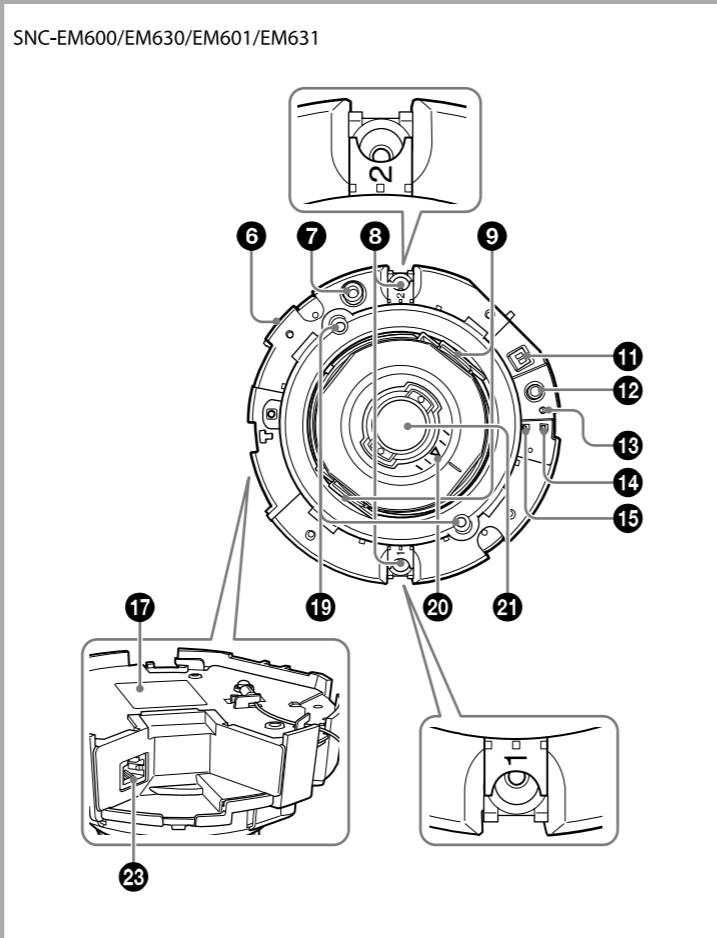
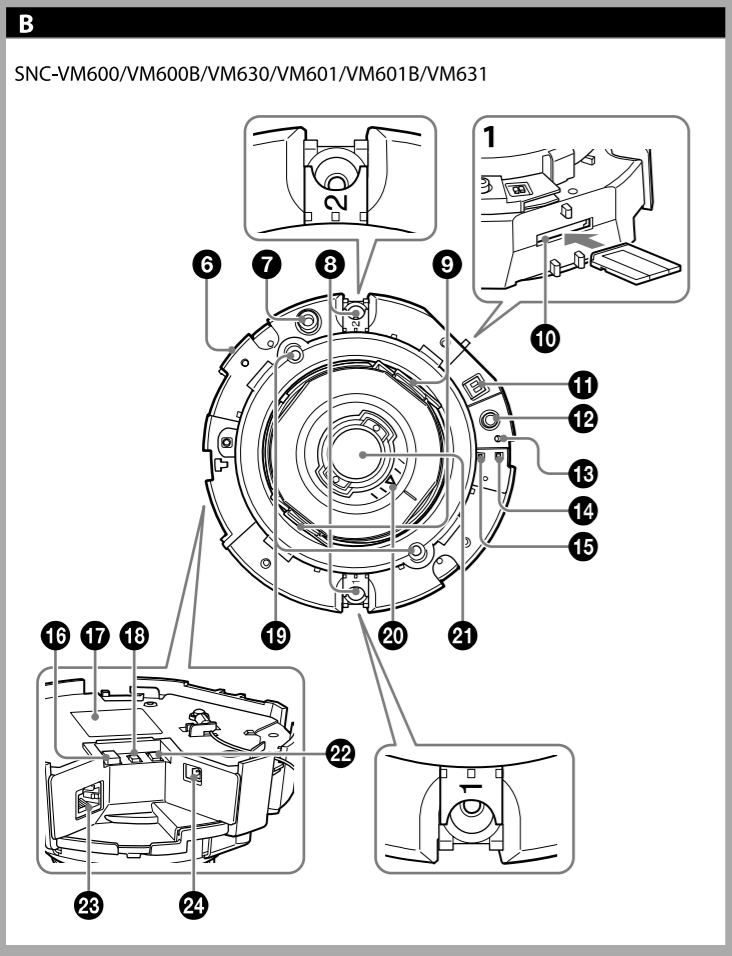
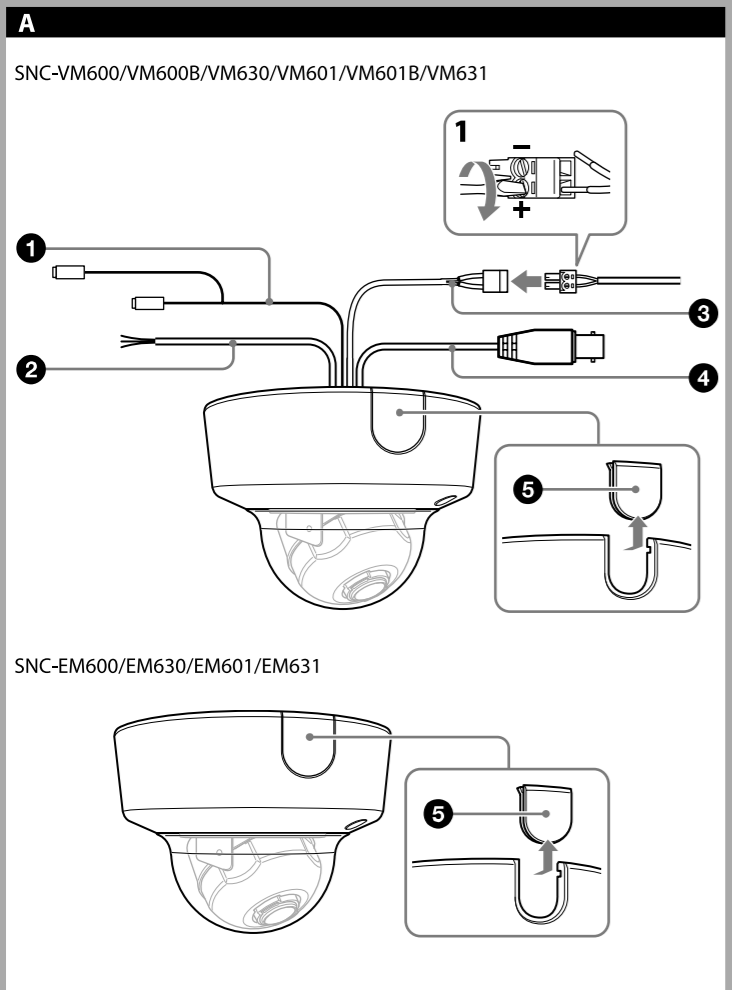
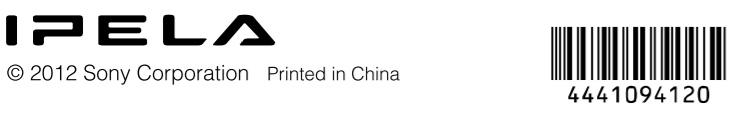


# Network Camera

Installation Manual  
Before operating the unit, please read this manual thoroughly and retain it for future reference.

SNC-VM600/VM600B/VM630  
SNC-VM601/VM601B/VM631  
SNC-EM600/EM630/EM601/EM631



## About the Manuals

**Installation Manual (this document)**  
This Installation Manual describes the names and functions of parts and controls of the Network Camera, gives connection examples and explains how to set up the camera. Be sure to read the Installation Manual before operating. The illustrations in this Installation Manual show the SNC-VM600 as an example. The Audio cable, I/O cable, Power input cable and BNC cable are not supported for SNC-EM600/EM630/EM601/EM631.

**SNC easy IP setup Guide (stored in the CD-ROM)**  
**User's Guide/Application Guide (Web)**  
The User's Guide describes how to set up the camera and how to control the camera via a Web browser. After installing and connecting the camera correctly, operate referring to this User's Guide.

**Using the software**  
The supplied CD-ROM includes the setup program for assigning an IP address. The information for how to set up an IP address is also included in the disc in PDF format. User's Guide and Application Guide can be downloaded from the disc, or the following URL:  
<http://www.sony.net/ipela/snc>

**Using the CD-ROM manual**  
The manual can be read on a computer with Adobe Reader installed. You can download Adobe Reader free from the Adobe website.

- 1 Open the index.html file in the CD-ROM.
  - 2 Select and click on the manual that you want to read.
- Note**  
If you have lost or damaged the CD-ROM, you can purchase a new one from your Sony dealer or Sony service counter.

Adobe and Acrobat Reader are trademarks of Adobe Systems Incorporated in the United States and/or other countries.

## Assigning the IP address

Assign the IP address using the setup program in the supplied CD-ROM. For details on how to set up the IP address, see SNC easy IP Setup Guide.

## Location and Function of Part

### Side **A**

Cables 1, 2, 3 and 4 are not connected when the unit comes from the factory.

- 1 Audio cable (supplied)**  
The connector with the longer cable (SP) is used for the line output connector, and the shorter cable (MIC) is used for the microphone/line input connector.
  - **SP terminal (minijack, monaural)**  
Connect a commercially available speaker system with a built-in amplifier.
  - **MIC terminal (minijack, monaural)**  
Connect a commercially available microphone. This jack supports plug-in-power microphones (rated voltage: 2.5 V DC).
- 2 I/O (Input/Output) cable (supplied)**  
This cable is provided with two sensor inputs and two alarm outputs. The wires of the cable control the following signals.

Color of wire	Name
Red	Sensor In 1+
White	Sensor In 2+
Black	Sensor In - (GND)
Yellow	Alarm Out 1+
Brown	Alarm Out 1-
Green	Alarm Out 2+
Blue	Alarm Out 2-

For details on each function and required settings, see the User's Guide. For the wiring, see "Connecting the I/O cable."

- 3 Power input cable (supplied)**  
Connect this cable to a 24 V AC or 12 V DC power supply system. You can screw an extension cable in the connector tip attached at the end of the cable. (A-1)
- 4 BNC cable (supplied)**  
Outputs a composite video signal.
- 5 Wiring cover**  
When you wire indoors, remove this cover and feed the cables through it.

**Caution**  
Take care not to trap the cables between the camera and the ceiling or the wall. If the cable is trapped, it may cause a fire or electric shock due to breaking.

### Inside **B**

Items 10, 19, 21, 23 and 24 are not supported for SNC-EM600/EM630/EM601/EM631.

- 6 Camera unit**
- 7 MONITOR output jack**  
Connect this jack to a video input connector of a video monitor. You can adjust the camera or lens while looking at the image on the video monitor. After adjusting the camera or lens, disconnect the cable.
- 8 Camera unit mounting screws (2 positions)**  
Make sure to tighten the screws securely when installing the camera.
- 9 Camera head fixing screw (tilt)**  
Firstly, loosen the screw and point the camera head in the desired direction, then tighten the screw to secure in place.
- 10 SD card slot**  
This slot is used for optional SD memory cards. Image data in the camera can be recorded to a memory card by inserting it into the slot. When inserting, point the contact area at the rating label side (referring to the illustration), and be sure to insert it completely. (B-1)  
This unit is only compatible with SD and SDHC memory cards.

**Note**  
For inquiries regarding verified SD memory cards, contact your authorized Sony dealer.

- 11 NTSC/PAL switch**  
Switching the video output. After setting the output, reboot the camera unit.
- 12 ZOOM/FOCUS switch**  
Use this switch to adjust lens' zoom and focus. Slide the switch lever to select the desired function.  
[W] WIDE: Zoom out  
[T] TELE: Zoom in  
[N] NEAR: Focus on a nearby subject  
[F] FAR: Focus on a distant subject  
Hold down the center of the ZOOM/FOCUS switch for a moment to focus automatically.
- 13 Reset switch**  
To reset the camera to the factory default settings, hold down this switch with a point and supply the power to the camera.
- 14 NETWORK indicator (Green/Orange)**  
The indicator lights up or flashes when the camera is connected to the network. The indicator is off when the camera is not connected to the network.
- 15 POWER indicator (Green)**  
When the power is supplied to the camera, the camera starts checking the system. If the system is normal, this indicator lights up.
- 16 AC / DC IN (power input) connector**  
Connect the supplied power input cable to this connector.
- 17 Rating Label**  
This label shows the name of device and its electric rating.
- 18 AUDIO connector**  
Connect the supplied audio cable to this connector.
- 19 Camera head fixing screw (pan)**  
Firstly, loosen the screw and point the camera head in the desired direction, then tighten the screw to secure in place.
- 20 Δ mark**  
Indicates the image direction.
- 21 Lens**
- 22 EXT CTRL (external control input/output) connector**  
Connect the supplied I/O cable to this connector.

**23 LAN network port (RJ-45)**  
Connect a network cable (UTP, category 5) to this port to communicate with a network or PoE\* system. For details on connection, see the Instruction Manual of the power supply equipment. (\*PoE stands for Power over Ethernet. It is pursuant to IEEE802.3af.)

**24 VIDEO OUT (video output) connector**  
Connect the supplied BNC cable to this connector.

## Preparations

### Connecting the Supplied Cables to the Camera **C**

Compatible models: SNC-VM600/VM600B/VM630/VM601/VM601B/VM631  
Before installation, connect the supplied cables to the camera as required for your usage and wire them.  
**Connect the cables to the connectors on the camera unit.**

- a** Power input cable: to AC/DC IN connector
- b** Audio cable
- c** BNC cable
- d** I/O cable

**Note**  
Do not pull on any cables forcefully, as a connection may become loose.

## Installation

- WARNING**
- If you attach the camera in the height such as the wall or the ceiling, etc., entrust the installation to an experienced contractor or installer.
  - If you install the camera on the ceiling, ensure that the ceiling is strong enough to withstand the weight of the camera plus the bracket and then install the camera securely. If the ceiling is not strong enough, the camera may fall and cause serious injury.
  - To prevent the camera from falling, make sure to attach the supplied wire rope.
  - If you attach the camera to the ceiling, check periodically, at least once a year, to ensure that the connection has not loosened. If conditions warrant, make this periodic check more frequently.

### Deciding the Installation Location of the Camera **D**

After deciding the direction in which the camera will shoot, make the required hole (ø 50 mm (2 inches)) for the connecting cables using the supplied template. Then decide the two or four mounting hole positions to install the bracket.

**Mounting screws**  
The supplied bracket is provided with ø 4.5 mm (7/16 inch) mounting holes. Install the bracket on a ceiling or wall with screws through two or four mounting holes: two 83.5 mm (3 2/3 inches)-pitched holes or four 85.7 mm (3 3/8 inches)-pitched holes. The required mounting screws differ depending on the installation location and its material. (Mounting screws are not supplied.)  
**Steel wall or ceiling:** Use M4 bolts and nuts. (Hexagon head bolt should not be used.)  
**Wooden wall or ceiling:** Use M4 tapping screws. The panel thickness must be 15 mm (9/16 inch) or more.  
**Concrete wall:** Use anchors, bolts and plugs suitable for concrete walls. (Head shape of M4 bolt: Pan head screw or hexagon head bolt should not be used.)  
**Junction box:** Use screws to match the holes on the junction box. (Head shape of screw: ø 7 mm (9/32 inch) Height 4 mm (1/16 inch) or less)

**WARNING**  
The required mounting screws differ depending on the installation location and its material. If you do not secure the camera with the appropriate mounting screws, the camera may fall off.

(continued on the reverse side)

