



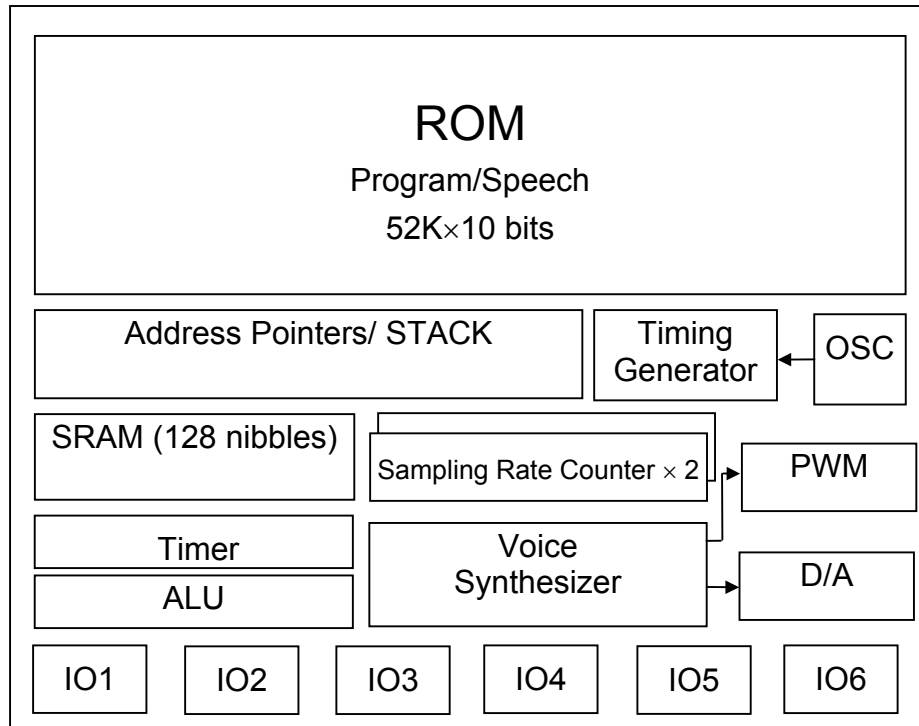
1 INTRODUCTION

SNC549 is a two-channel voice synthesizer IC with PWM direct drive circuit. It built-in a 4-bit tiny controller with one 4-bit input port, two 4-bit output ports and three 4-bit I/O ports. By programming through the tiny controller in SNC549, user's varied applications including voice section combination, key trigger arrangement, output control, and other logic functions can be easily implemented.

2 FEATURES

- ◆ Single power supply 2.4V – 5.5V
- ◆ 16 seconds voice capacity are provided(@6KHZ sample rate)
- ◆ Built in a 4-bit tiny controller
- ◆ One 4-bit input port, two 4-bit output ports and three 4-bit I/O ports are provided
- ◆ 128*4 bits RAM are provided
- ◆ 52K*10 ROM size are provided for voice data and program
- ◆ Maximum 16k program ROM is provided
- ◆ Readable ROM code data
- ◆ IR carrier signal is provided
- ◆ Built in a high quality speech synthesizer
- ◆ Adaptive playing speed from 2.5k-20kHz is provided
- ◆ Two independent voice channels (Channel 1 + Channel 2→Buo1,Buo2)
- ◆ Built in a PWM Direct Drive circuit and a fixed current D/A output
- ◆ System clock : 2MHz
- ◆ Low Power Reset

3 Block Diagram



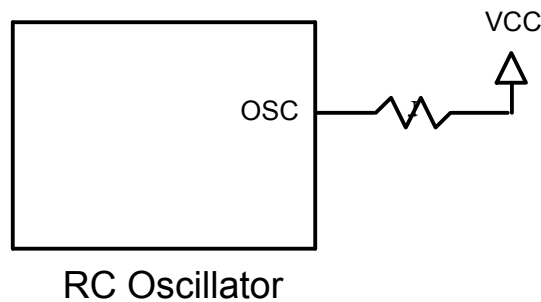
4 PIN ASSIGNMENT

| Symbol | I/O | Function Description |
|-----------|-----|-------------------------------------|
| P13 ~ P10 | I | Bit3 ~ Bit0 of Input port 1 |
| P23 ~ P20 | I/O | Bit3 ~ Bit0 of I/O port 2 |
| P33 ~ P30 | I/O | Bit3 ~ Bit0 of I/O port 3 |
| P43 ~ P40 | O | Bit3 ~ Bit0 of Output port 4 |
| P53 ~ P50 | O | Bit3 ~ Bit0 of Output port 5 |
| P63 ~ P60 | I/O | Bit3 ~ Bit0 of I/O port 6 |
| VDD | P | Positive power supply |
| GND | P | Negative power supply |
| RST | I | Reset pin (active high) |
| OSC | O | Oscillator / Crystal Out |
| BUO1/VO | O | Positive Output of PWM or DA output |
| BUO2 | O | Negative Output of PWM |

5 FUNCTION DESCRIPTIONS

5.1. Oscillator

SNC549 accept RC type oscillator for system clock. The typical circuit diagram for oscillator is listed as follow.



5.2. ROM

SNC549 contains substantial 52K words (10-bit) internal ROM. Program, voices and other data are shared with this same 52K words ROM.

5.3. RAM

SNC549 contains 128 nibbles RAM. The 128 nibbles RAM are divided into eight pages (page 0 to page 7, 16 nibble RAM on each page). In our programming structure, users can easily define and locate RAM page in the program. For instance, users can use the instructions, PAGE_n (n=0 to 7) to switch and indicate the RAM page. Besides, users can use direct mode, M0 ~ M15 in the data transfer type instructions, to access all 16 nibbles of each page.

5.4. Power Down Mode

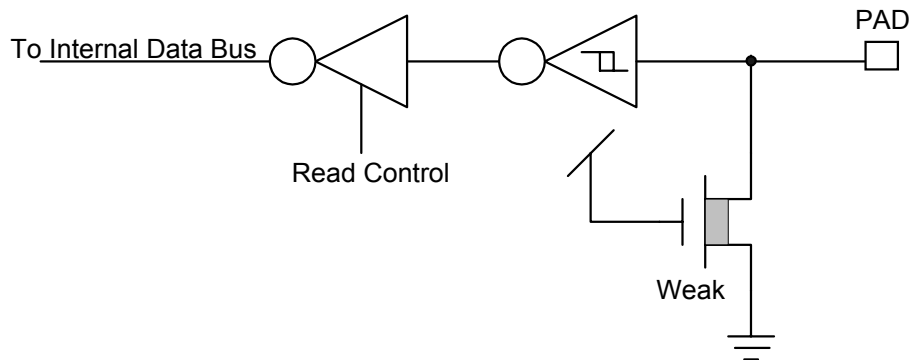
“End” instruction will power down SNC549 and enable IC to consume fewer current for power saving. (<3uA @VDD=3V and <5uA @VDD=5V) Please be aware that when the power down mode is activated in SNC549, any valid data transition (L→H or H→L) occurring on any input port (P1) or IO ports (P2, P3 and P6) will lead SNC549 back to normal operation mode.

5.5. Sampling Rate Counters

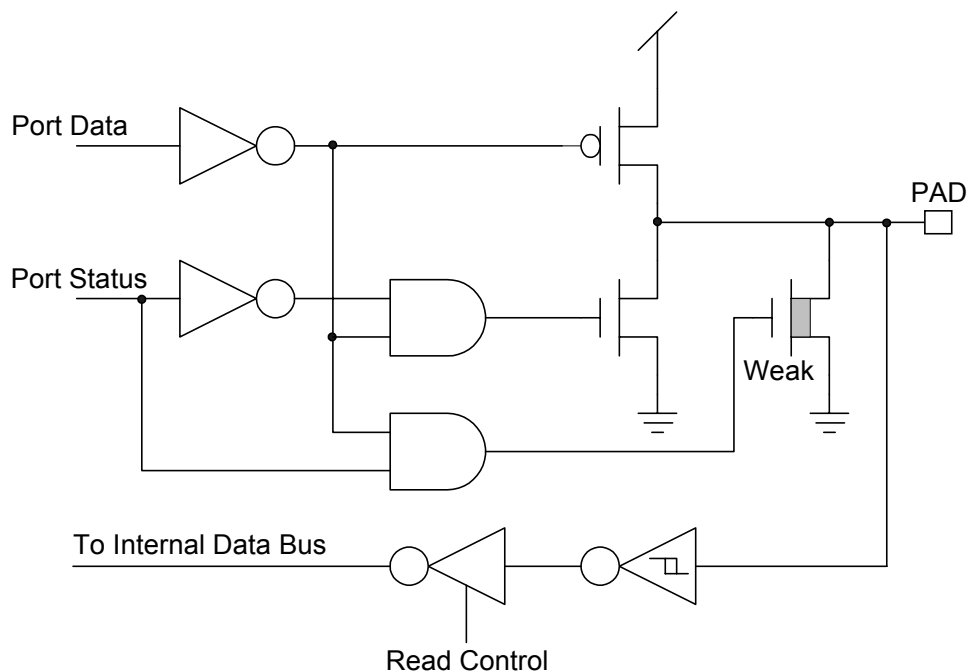
2 independent sampling rate counters are dedicated to 2 individual voice channels to be able to play diverse voices at different sample playing rates. The playing rate can be adaptively set up among from the wide ranges of 2.5KHz to 20KHz. This feature makes voice close to its original source and yield the better voice quality.

5.6. I/O Ports

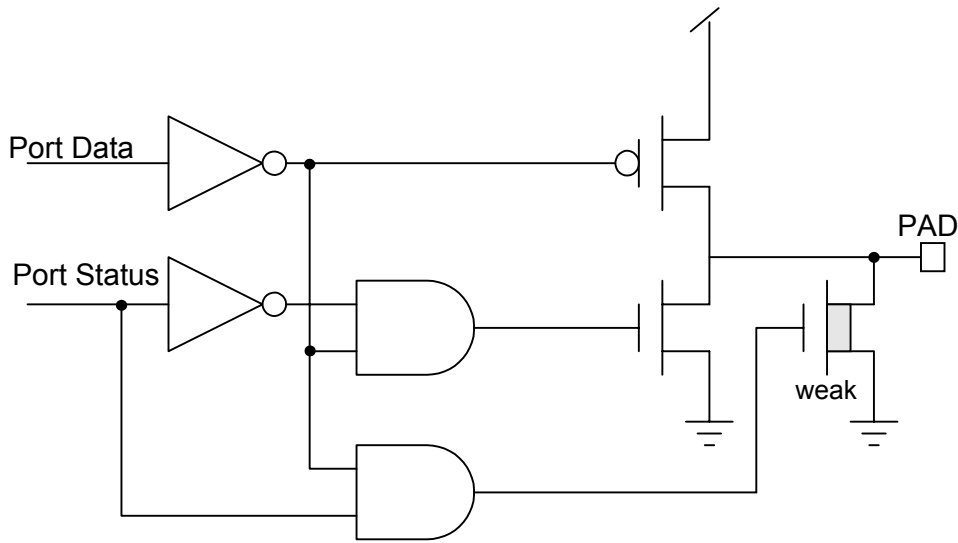
P1 is a 4-bit input port, P2/P3/P6 are three 4-bit I/O ports and P4/P5 are two 4-bit output ports. Any bit of P2, P3 and P6 can be programmed as either input or output port individually. Any valid data transition (H→L or L→H) of P1, P2, P3 and P6 can reactivate the chip when the chip is in power-down mode.



Input Port Configuration (P10~P13)



I/O Port Configuration (P20~P23, P30~P33, P60~P63)

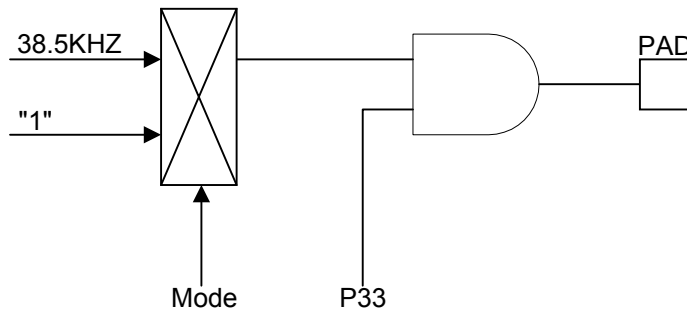


Output Port Configuration (P40~P43, P50~P53)

Note: All weak N-MOS's can serve as pull-low resistors.

5.7. IR Function

P33 can be modulated with 38.5KHz square wave before sent out to P33 pin. The IR signal can be achieved by this modulated signal.

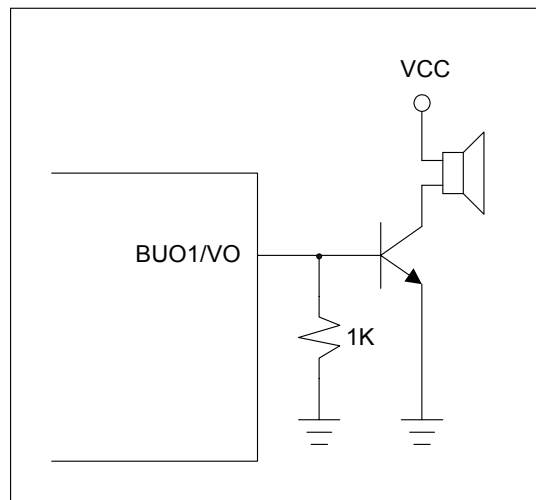


5.8. DAC & PWM

SNC549 is an advanced chip to be designed having two optimal methods to play out the voices. One is DAC and the other is PWM. Upon user's applications, user can select either DAC or PWM in his design. Please be aware that only one method can be activated at a time.

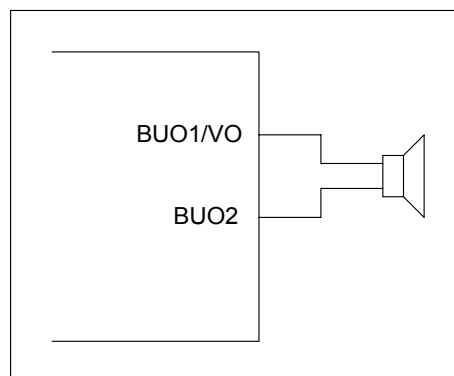
DAC: A 7-bit current type digital-to-analog converter is built-in SNC549. The relationship between input digital data and output analog current signal is listed in the following table. Also, the recommended application circuit is illustrated as follows.

| Input data | Typical value of output current (mA) |
|------------|--------------------------------------|
| 0 | 0 |
| 1 | 3/127 |
| ... | |
| N | $n \cdot (3/127)$ |
| ... | |
| 127 | 3 |



DAC output

PWM: A PWM (pulse width modulation) circuit is built-in SNC549. PWM can convert input digital data into pulse trains with suitable different pulse width. The maximum resolution of PWM is 7 bits. Two huge output stage circuits are designed in SNC549. With this advanced circuit, the chip is capable of driving speaker directly without external transistors. The recommended application circuit is illustrated as follows.



PWM Output

6 ABSOLUTE MAXIMUM RATING

| Items | Symbol | Min | Max | Unit. |
|-----------------------|------------|--------------|--------------|-------|
| Supply Voltage | $V_{DD}-V$ | -0.3 | 6.0 | V |
| Input Voltage | V_{IN} | $V_{SS}-0.3$ | $V_{DD}+0.3$ | V |
| Operating Temperature | T_{OP} | 0 | 55.0 | °C |
| Storage Temperature | T_{STG} | -55.0 | 125.0 | °C |

7 ELECTRICAL CHARACTERISTICS

| Item | Sym. | Min. | Typ. | Max. | Unit | Condition |
|-------------------------------------|-----------|------|------------|------|---------|--|
| Operating Voltage | V_{DD} | 2.4 | 3.0 | 5.5 | V | |
| Standby current | I_{SBY} | - | 2.0 5.0 | - | μA | $V_{DD}=3V$, no load $V_{DD}=4.5V$, no load |
| Operating Current | I_{OPR} | - | 300 700 | - | μA | $V_{DD}=3V$, no load $V_{DD}=4.5V$, no load |
| Input current of P1, P2, P3, P6 | I_{IH} | - | 3.0 | 10.0 | μA | $V_{DD}=3V, V_{IN}=3V$ |
| Drive current of P2, P3, P4, P5, P6 | I_{OD} | - | 4 | - | mA | $V_{DD}=3V, V_O=2.4V$ |
| Sink Current of P2, P3, P4, P5, P6 | I_{OS} | - | 6 | - | mA | $V_{DD}=3V, V_O=0.4V$ |
| Drive current of P2, P3, P4, P5, P6 | I_{OD} | - | 5 | - | mA | $V_{DD}=4.5V, V_O=3.9V$ |
| Sink Current of P2, P3, P4, P5, P6 | I_{OS} | - | 9 | - | mA | $V_{DD}=4.5V, V_O=0.4V$ |
| Drive current of Buo1 | I_{OD} | 100 | 120 | - | mA | $V_{DD}=3V, Buo1=1.5V$ |
| Sink Current of Buo1 | I_{OS} | 100 | 120 | - | mA | $V_{DD}=3V, Buo1=1.5V$ |
| Drive Current of Buo2 | I_{OD} | 100 | 120 | - | mA | $V_{DD}=3V, Buo2=1.5V$ |
| Sink Current of Buo2 | I_{OS} | 100 | 120 | - | mA | $V_{DD}=3V, Buo2=1.5V$ |
| Oscillation Freq. | F_{OSC} | - | 2.0 | - | MHz | $V_{DD}=3V$ |
| IR Carrier Frequency | Fir | - | 38.5 | - | KHz | $F_{osc}=2MHz$ |

8 ROSC Performance

ROSC frequency vs VDD (Typical value, R=120KΩ)

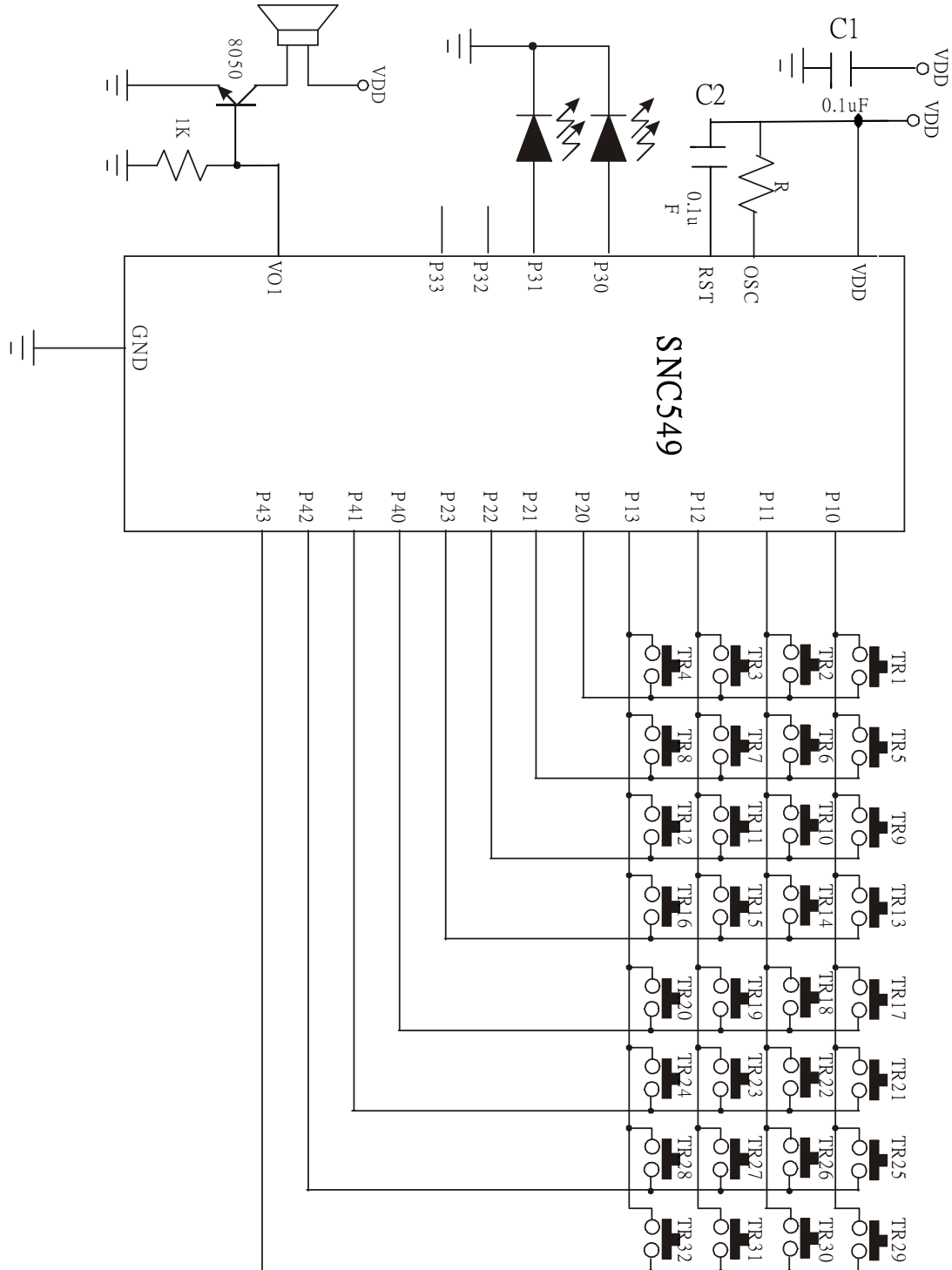


ROSC frequency vs. VDD (For various R)



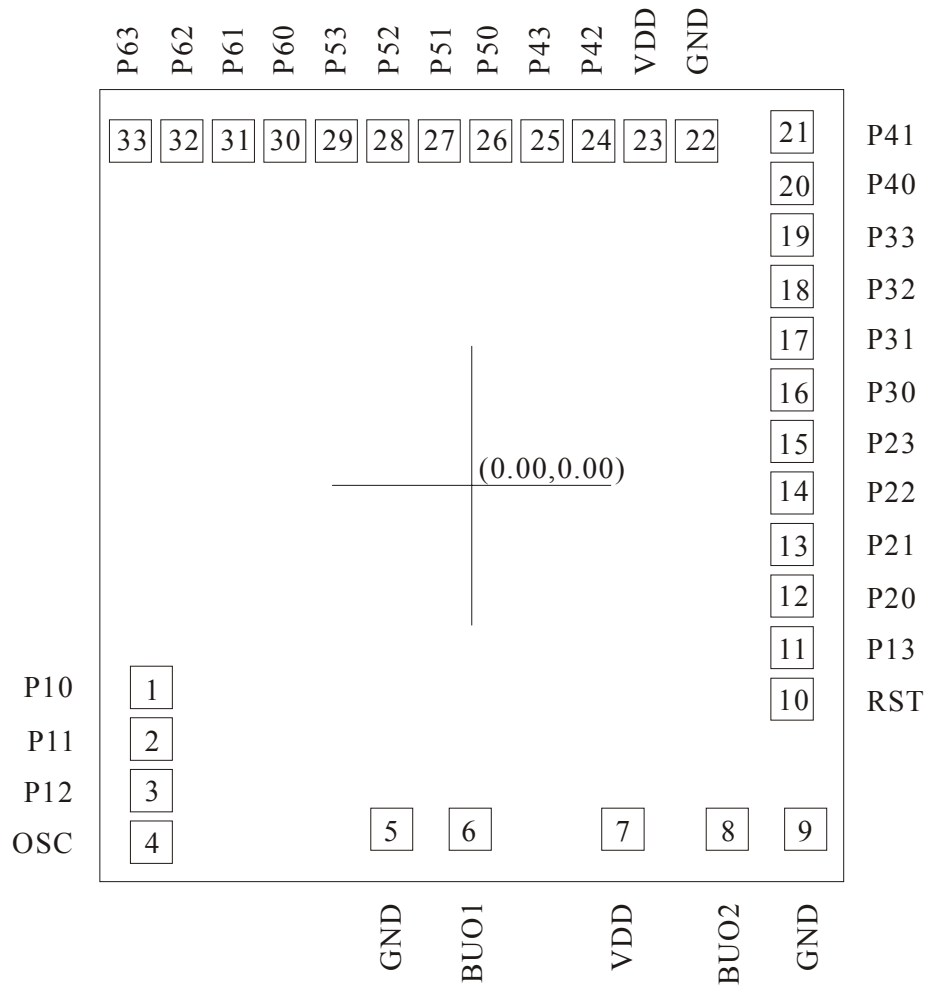
9 APPLICATION CIRCUIT

D/A Speaker Output
32 Scan Keys



Note: The C1 (0.1µF) between Power and GND should be closed to VDD pin of SNC549 as possible.

10 BONDING PAD



SNC549

Note: The substrate MUST be connected to Vss in PCB layout.

DISCLAIMER

The information appearing in SONiX web pages (“this publication”) is believed to be accurate.

However, this publication could contain technical inaccuracies or typographical errors. The reader should not assume that this publication is error-free or that it will be suitable for any particular purpose. SONiX makes no warranty, express, statutory implied or by description in this publication or other documents which are referenced by or linked to this publication. In no event shall SONiX be liable for any special, incidental, indirect or consequential damages of any kind, or any damages whatsoever, including, without limitation, those resulting from loss of use, data or profits, whether or not advised of the possibility of damage, and on any theory of liability, arising out of or in connection with the use or performance of this publication or other documents which are referenced by or linked to this publication.

This publication was developed for products offered in Taiwan. SONiX may not offer the products discussed in this document in other countries. Information is subject to change without notice. Please contact SONiX or its local representative for information on offerings available. Integrated circuits sold by SONiX are covered by the warranty and patent indemnification provisions stipulated in the terms of sale only.

The application circuits illustrated in this document are for reference purposes only. SONIX DISCLAIMS ALL WARRANTIES, INCLUDING THE WARRANTY OF MERCHANTABILITY OR FITNESS FOR ANY PURPOSE. SONIX reserves the right to halt production or alter the specifications and prices, and discontinue marketing the Products listed at any time without notice. Accordingly, the reader is cautioned to verify that the data sheets and other information in this publication are current before placing orders.

Products described herein are intended for use in normal commercial applications. Applications involving unusual environmental or reliability requirements, e.g. military equipment or medical life support equipment, are specifically not recommended without additional processing by SONIX for such application.

GREEN VOICE

