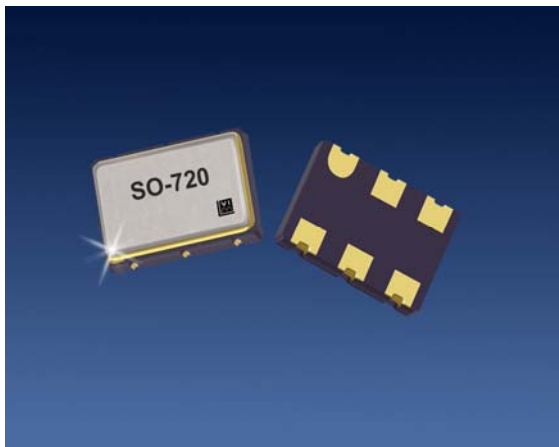




PRELIMINARY DATASHEET

SO-720 SAW Clock Oscillator



Features

- Industry Standard Package, 5.0 x 7.5 x 2.0 mm
- ASIC Technology For Ultra Low Jitter
 - 0.100 ps-rms typical across 12 kHz to 20 MHz BW
 - 0.120 ps-rms typical across 50 kHz to 80 MHz BW
- Output Frequencies from 150 MHz to 800 MHz
- 3.3 V Operation
- LV-PECL or LVDS Configuration with Fast Transition Times
- Complementary Outputs
- Output Disable Feature
- Improved Temperature Stability over Standard SAW XO



Product is free of lead and compliant to EC RoHS Directive

Applications

Reference Clock for Wired and Wireless Products

<u>Description</u>	<u>Standard</u>
• 1-2-4 Gigabit Fibre Channel	INCITS 352-2002
• 10 Gigabit Fibre Channel	INCITS 364-2003
• 10GbE LAN / WAN	IEEE 802.3ae
• OC-192	ITU-T G.709
• SONET / SDH	GR-253-CORE Issue3

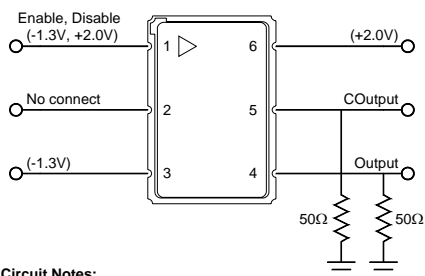
Description

The SO-720 is a SAW Based Clock Oscillator that achieves low phase noise and very low jitter performance. The SO-720 is housed in an industry standard 6-Pad leadless ceramic package that is hermetically sealed. Packaging options include bulk or tape and reel.

SO-720 SAW Clock Oscillator

Electrical Performance						
Parameter	Symbol	Minimum	Typical	Maximum	Units	Notes
Frequency						
Nominal Frequency	f_N	150		800	MHz	1,2
Frequency Stability (Ordering Option)	f_{STAB}		$\pm 50, \pm 100$		ppm	1,2
Aging				10	ppm	6,8
Supply						
Voltage	V_{CC}	2.97	3.3	3.63	V	2,3
Current (No Load)	I_{CC}		55	70	mA	3
Outputs						
Mid Level - LVPECL		$V_{CC}-1.4$	$V_{CC}-1.25$	$V_{CC}-1.0$	V	2,3
Swing – LVPECL		450	600	750	mV-pp	2,3
Mid Level - LVDS		$V_{CC}-2.4$	$V_{CC}-2.3$	$V_{CC}-2.5$	V	2,3
Swing – LVDS		250	350	450	mV-pp	2,3
Current	I_{OUT}			20	mA	6
Rise Time	t_R			500	ps	5,6
Fall Time	t_F			500	ps	5,6
Symmetry	SYM	45	50	55	%	2,3
Jitter (12 kHz – 20 MHz BW) 622.08 MHz	ϕ_J		0.100	0.250	ps-rms	6,7
Jitter (50 kHz – 80 MHz BW) 622.08 MHz	ϕ_J		0.120	0.300	ps-rms	6,7
Period Jitter, RMS (622.08 MHz)	ϕ_J		2.5	3.0	ps-rms	9
Period Jitter, Peak - Peak (622.08 MHz)	ϕ_J		16	24	ps pk-pk	9
Operating Temp. (Ordering Option)						
	T_{OP}	0/70,-20/70 or -40/85			°C	1
Package Size						
		5.0 x 7.5 x 2.0			mm	

1. See Standard Frequencies and Ordering Information (Pg 7).
2. Parameters are tested with production test circuit below (Fig 1).
3. Parameters are tested at ambient temperature with test limits guard-banded for specified operating temperature.
4. Measured as the maximum deviation from the best straight-line fit, per MIL-0-55310.
5. Measured from 20% to 80% of a full output swing (Fig 2).
6. Not tested in production, guaranteed by design, verified at qualification.
7. Integrated across stated bandwidth per GR-253-CORE Issue3.
8. Aging Rate for 10 years (Aging is not part of overall frequency stability budget unless specified at time of order)
9. Broadband Period Jitter measured using Lecroy Wavemaster 8600A 6 GHz Oscilloscope, 250K samples taken.


Test Circuit Notes:

- 1) To Permit 50Ω Measurement of Outputs, all DC Inputs are Biased Down 1.3V.
- 2) All Voltage Sources Contain Bypass Capacitors to Minimize Supply Noise.
- 3) 50Ω Terminations are Within Test Equipment.

Figure 1. Test Circuit

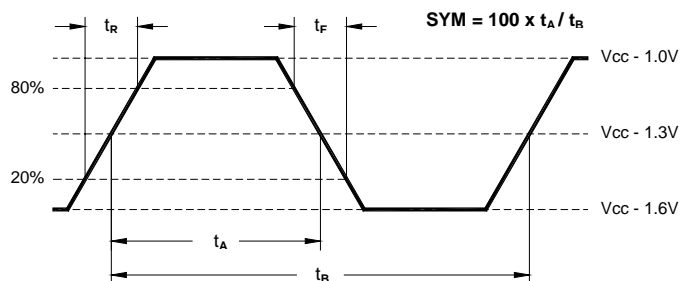
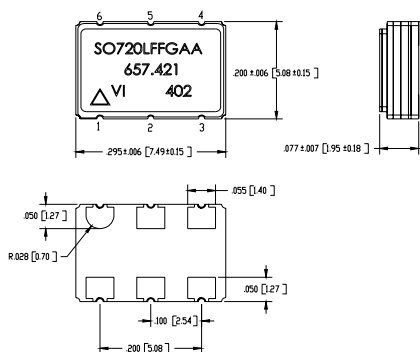


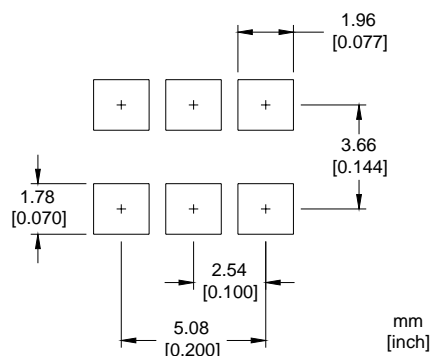
Figure 2. 10K LV-PECL Waveform

SO-720 SAW Clock Oscillator

Outline Diagram



Suggested Pad Layout

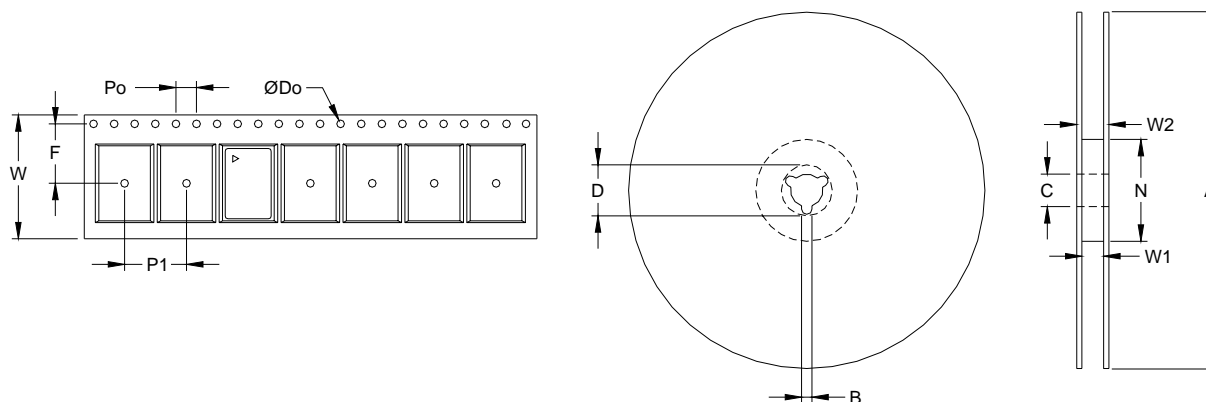


Pin Out

Pin	Symbol	Function
1	NC or OE ¹	NC or Enable = LV-CMOS Logic 0 or Ground Disabled = LV-CMOS Logic 1
2	OE ¹ or NC	NC or Enable = LV-CMOS Logic 0 or Ground Disabled = LV-CMOS Logic 1
3	GND	Case and Electrical Ground
4	Output	Output
5	COutput	Complementary Output
6	V _{CC}	Power Supply Voltage (+3.3V ± 10%)

Note 1: For proper operation, chosen disable pin can not be left floating and a pin 1 or pin 2 enable option must be ordered
See page 7 for alternative input logic option

Tape and Reel (EIA-481-2-A)



Tape Dimensions (mm)

Reel Dimensions (mm)

Dimension	W	F	Do	Po	P1	A	B	C	D	N	W1	W2	# Per Reel
Tolerance	Typ	Typ	Typ	Typ	Typ	Typ	Min	Typ	Min	Min	Typ	Max	
SO-720	16	7.5	1.5	4	8	178	1.5	13	20.2	50	16.4	22.4	200

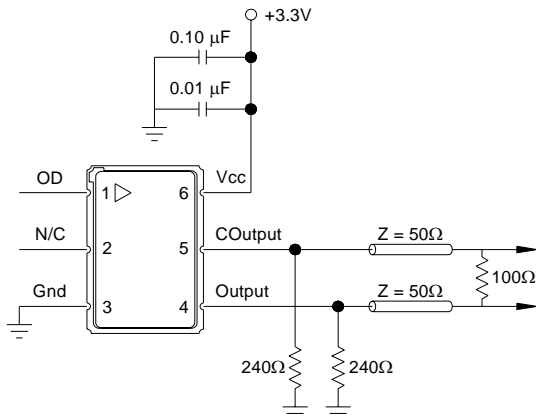
SO-720 SAW Clock Oscillator

Absolute Maximum Ratings

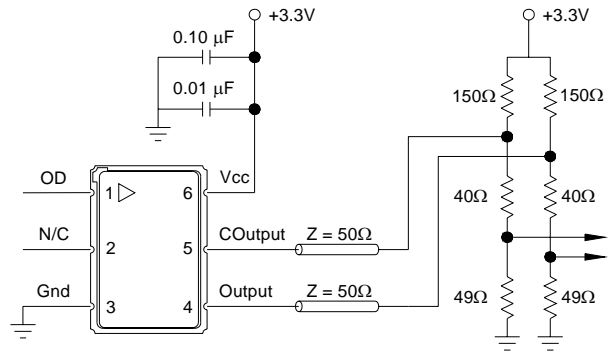
Parameter	Symbol	Ratings	Unit
Power Supply	V_{CC}	0 to 4	V
Output Current	I_{out}	25	mA
Storage Temperature	TS	-55 to 125	°C
Soldering Temp/Time	T_{LS}	260 / 40	°C/sec

Stresses in excess of the absolute maximum ratings can permanently damage the device. Functional operation is not implied at these or any other conditions in excess of conditions represented in the operational sections of this datasheet. Exposure to absolute maximum ratings for extended periods may adversely affect device reliability. Permanent damage is also possible if OD is applied before V_{CC} .

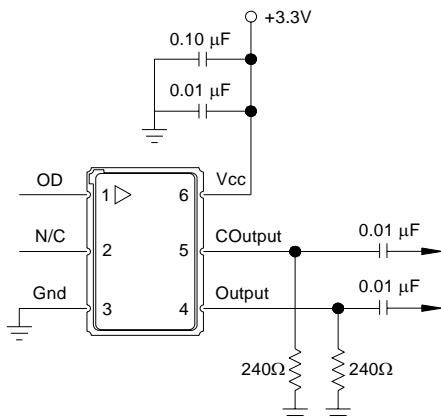
Suggested Output Load Configurations



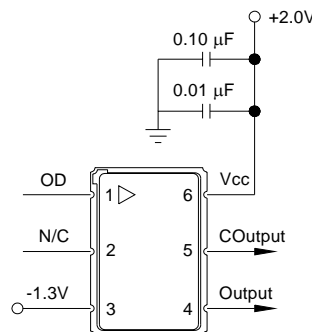
LV-PECL to LV-PECL: For short transmission lengths, the power consumption could be reduced by removing the 100Ω resistor and doubling the value of the pull down resistors.



LV-PECL to LVDS: Restricted for short transmission lengths. Configuration may require modification depending on LVDS receiver.



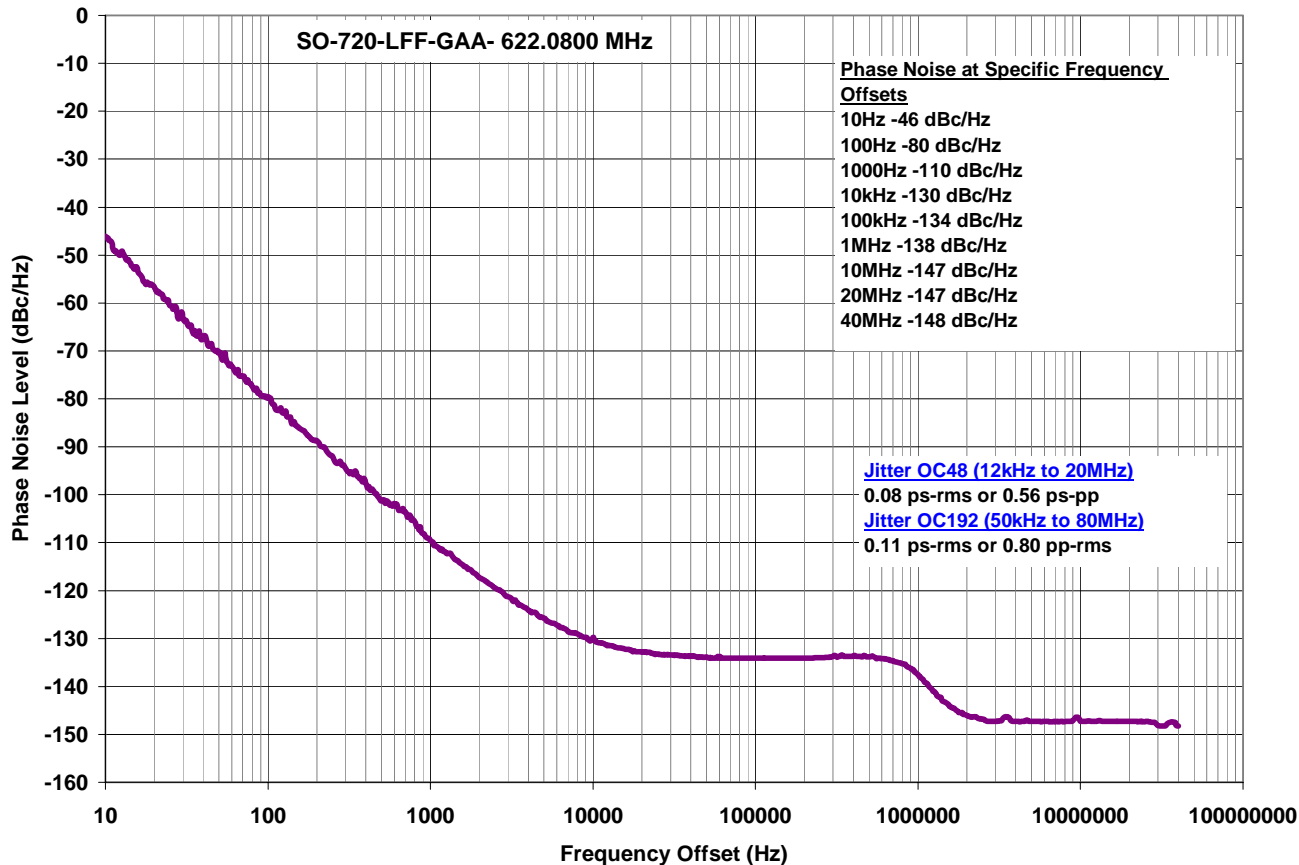
Functional Test: Allows standard power supply configuration. Since AC coupled, the LV-PECL levels cannot be measured.



Production Test: Allows direct DC coupling into 50Ω measurement equipment. Must bias the power supplies as shown. Similar to Figure 1.

SO-720 SAW Clock Oscillator

Typical Phase Noise



SO-720 SAW Clock Oscillator

Reliability

VI qualification includes aging at various extreme temperatures, shock and vibration, temperature cycling, and IR reflow simulation. The SO-720 family is capable of meeting the following qualification tests:

Environmental Compliance

Parameter	Conditions
Mechanical Shock	MIL-STD-883, Method 2002
Mechanical Vibration	MIL-STD-883, Method 2007
Solderability	MIL-STD-883, Method 2003
Gross and Fine Leak	MIL-STD-883, Method 1014
Resistance to Solvents	MIL-STD-883, Method 2016

Handling Precautions

Although ESD protection circuitry has been designed into the SO-720 proper precautions should be taken when handling and mounting. VI employs a Human Body model (HBM) and a Man-Man model (MM) for ESD susceptibility testing and design protection evaluation.

ESD Ratings

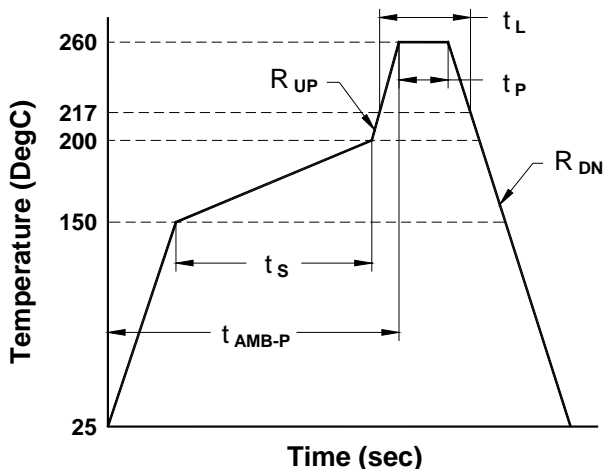
Model	Minimum	Conditions
Human Body Model	1500 V	MIL-STD 883, Method 3015
Man Man Model	200 V	V/JESD22-A115-A,

Reflow Profile (IPC/JEDEC J-STD-020)

Parameter	Symbol	Value
PreHeat Time	t_s	60 sec Min, 180 sec Max
Ramp Up	R_{UP}	3 °C/sec Max
Time Above 217 °C	t_L	60 sec Min, 150 sec Max
Time To Peak Temperature	t_{AMB-P}	480 sec Max
Time At 260 °C	t_P	20 sec Min, 40 sec Max
Ramp Down	R_{DN}	6 °C/sec Max

The device is designed to meet the JEDEC standard for Pb-Free assembly. The temperatures and time intervals listed are based on the Pb-Free small body requirements. The SO-720 device is hermetically sealed so an aqueous wash is not an issue.

Termination Plating: Electroless Gold Plate over Nickel Plate



SO-720 SAW Clock Oscillator

Standard Output Frequencies (MHz)							
*155.5200	*156.2500	*160.0000	*175.0000	*187.5000	*200.0000	240.0000*	250.0000*
311.0400	312.5000	320.0000	350.0000	375.0000	400.0000	480.0000	500.0000
531.2500	532.0000	533.0000	622.0800	637.5000	644.5313	657.4219	666.5143
669.3266	672.1627	690.5692	693.4830	704.3806	707.3527	720.0000	796.8750

Frequencies not shown are available upon request. *VCC6 is preferred XO for frequencies < 300 MHz

Ordering Information

SO - 720 - L F F - G A A - xxx.xxx

Product Family

SO = SO Based XO

Package

720 = 5.0 x 7.5 x 2.0 mm
6 Pad Ceramic SMD

Input

L = 3.3 Vdc ± 10%

Output

F = LVPECL (45/55% Symmetry)
P = LVDS (45/55% Symmetry)

Frequency

150 - 800 MHz

Overall Stability Condition

A = Includes 10 years of aging at 40°C
N = Excludes aging

Enable/Disable Pin & Input Logic

A = Pin 2: Enable Low (or Gnd) / Disable High
B = Pin 2: Enable High (or Vcc) / Disable Low
C = Pin 1: Enable Low (or Gnd) / Disable High
D = Pin 1: Enable High (or Vcc) / Disable Low

Stability

G = ± 50 ppm maximum
H = ± 100 ppm maximum

Operating Temperature

C = 0°C to 70°C
D = -20°C to 70°C
F = -40°C to 85°C

Not All Combinations Possible

For Additional Information, Please Contact:



USA: Vectron International, 267 Lowell Rd, Hudson, NH 03051 Tel: 1-88-VECTRON-1

Fax: 1-888-FAX-VECTRON

EUROPE: Tel: +49 (0) 3328-4784-17

Fax: +49 (0) 3328-4784-30

ASIA: Tel: +86-21-28909740

Fax: +86-21-28909240

Vectron International reserves the right to make changes to the product(s) and or information contained herein without notice. No liability is assumed as a result of their use or application. No rights under any patent accompany the sale of any such product(s) or information.