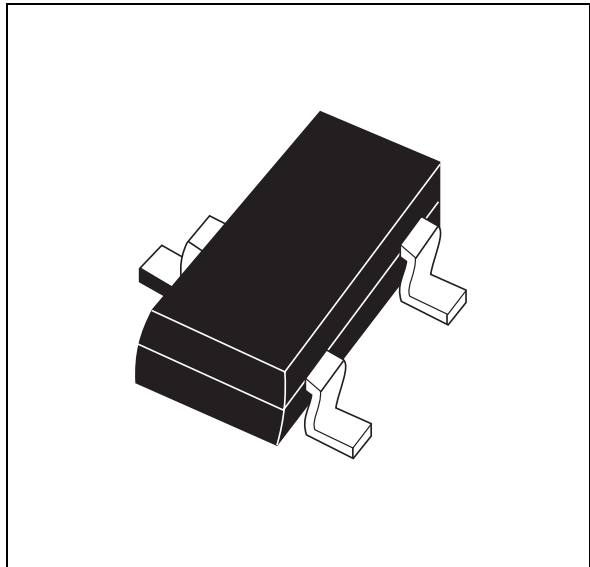
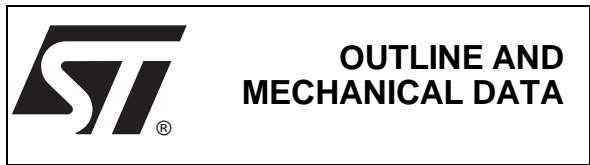


| REF. | DIMENSIONS | | | |
|------|-------------|------|------------|-------|
| | Millimeters | | Inches | |
| | Min. | Max. | Min. | Max. |
| A | 0.89 | 1.4 | 0.035 | 0.055 |
| A1 | 0 | 0.1 | 0 | 0.004 |
| B | 0.3 | 0.51 | 0.012 | 0.02 |
| c | 0.085 | 0.18 | 0.003 | 0.007 |
| D | 2.75 | 3.04 | 0.108 | 0.12 |
| e | 0.85 | 1.05 | 0.033 | 0.041 |
| e1 | 1.7 | 2.1 | 0.067 | 0.083 |
| E | 1.2 | 1.6 | 0.047 | 0.063 |
| H | 2.1 | 2.75 | 0.083 | 0.108 |
| L | 0.6 typ. | | 0.024 typ. | |
| S | 0.35 | 0.65 | 0.014 | 0.026 |



SOT23

