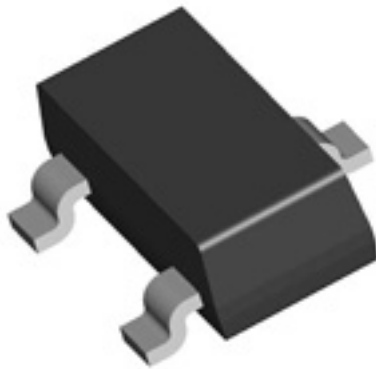




**Contact Us:**  
 Tel: 1-800-776-9888  
[sales@TopLine.tv](mailto:sales@TopLine.tv)  
[www.TopLine.tv](http://www.TopLine.tv)

**SOT23**  
**JEDEC TO-236AB Package**  
**TopLine Dummy Component**  
**For training, practice and evaluation**



**Quick Specs:**  
 Pin Count 3L  
 Pitch 1.9mm  
 Body 1.30 x 2.92mm  
 Small Outline Transistor/Diode

**Use and Applications:**  
 IPC Solder Training & Practice  
 Equipment Evaluation  
 Prototype PWB

**Availability:**  
 Delivery Stock to 4 weeks

**See Page 2 Outline Drawing**

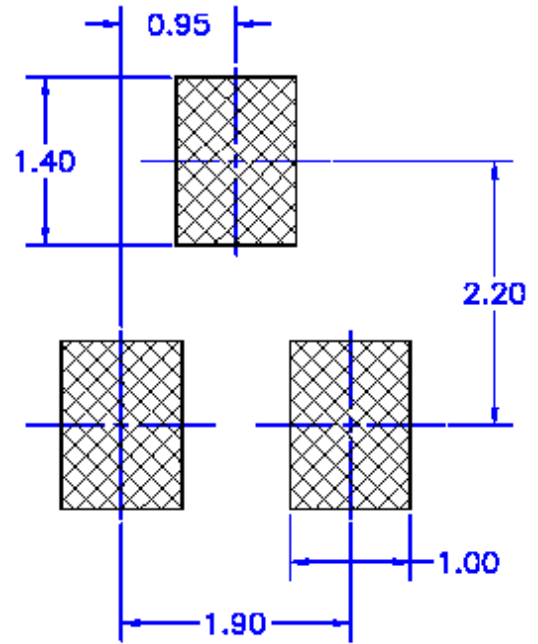
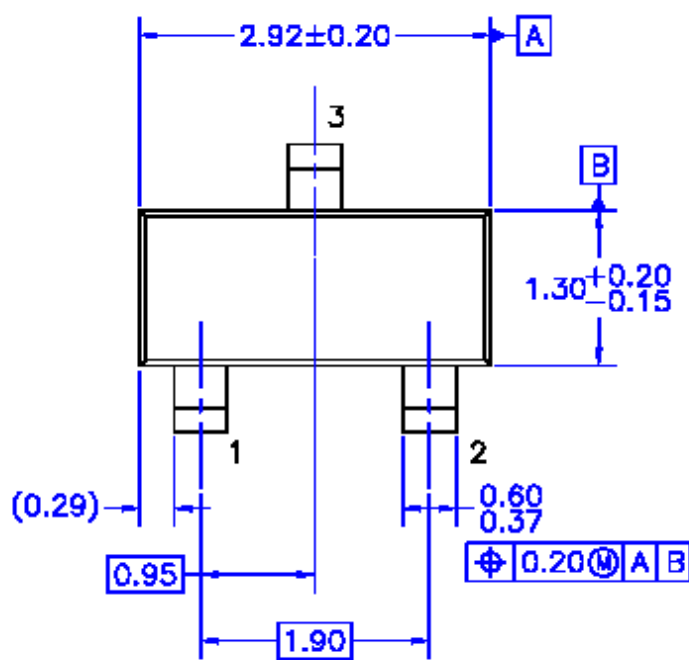
**Part Numbers:**  
 SOT23  
 TO236AB

**Part Numbering System**

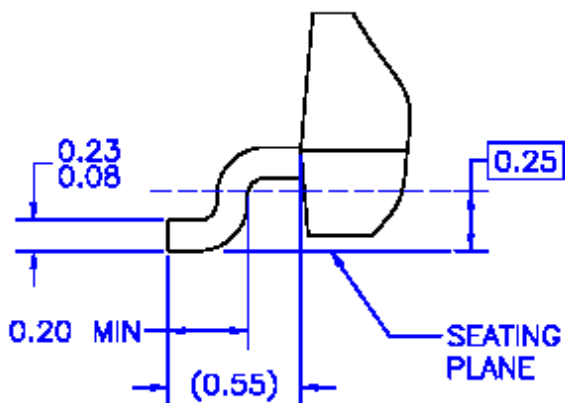
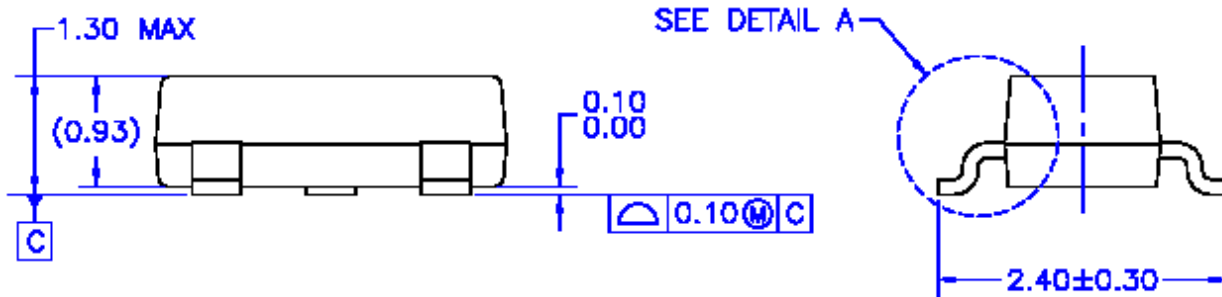
SOT23	E7A		T	-	Option
JEDEC Series	Packaging		Plating	-	Daisy Chain
TO236AB Plastic Small Outline Transistor Diode	E7A = 7" Reel 3000pcs E4A = 4" Reel 500pcs B = Bulk		T = Sn100 RoHS Pb-Free  Blank = SnPb		Blank = None DC13 DC23 DC123 ISO = Isolated

Options: Add Daisy Chain Drawing Number: DC13, DC23 or DC123.

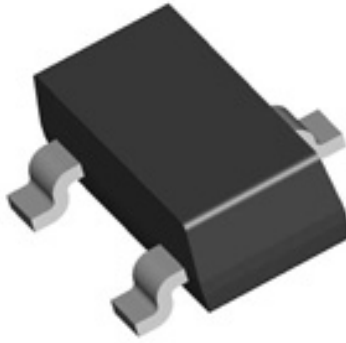
# SOT23 Outline



LAND PATTERN RECOMMENDATION

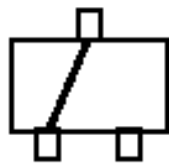


DETAIL A

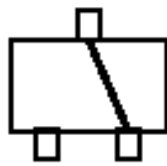


Daisy Chain - Top View

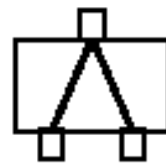
### Zero Ohm Daisy Chain - Top View



DC13



DC23



DC123

**Top View of Internal Daisy Chain Option.  
Zero Ohm Jumper**

**TopLine Corporation**

95 Highway 22 W

Milledgeville, GA 31061, USA

**Toll Free** USA/Canada (800) 776-9888

International: 1-478-451-5000 • Fax: 1-478-451-3000

Email: [Sales@TopLine.tv](mailto:Sales@TopLine.tv)

©2010 TopLine. All Rights Reserved.