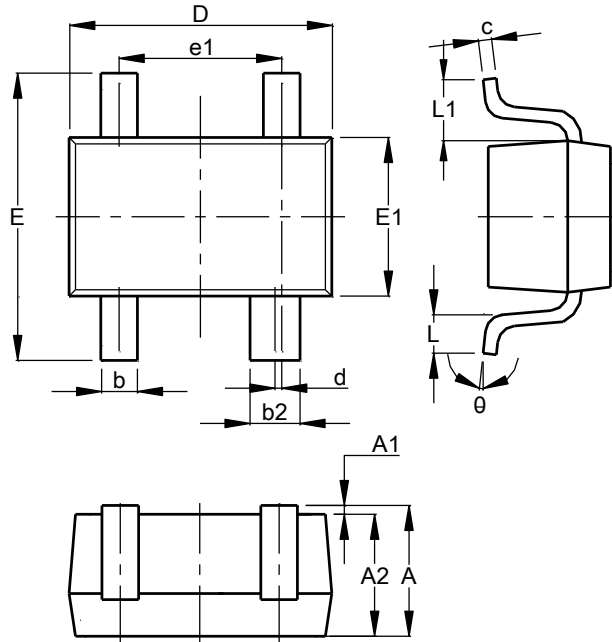


## Package Outline Dimensions

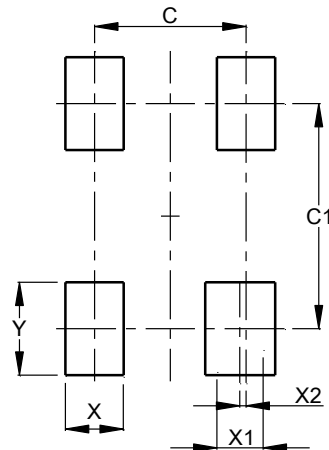
SOT343 (Type CJ)



SOT343 (Type CJ)			
Dim	Min	Max	Typ
A	0.900	1.100	--
A1	0.00	0.100	--
A2	0.900	1.000	--
b	0.250	0.400	--
b2	0.350	0.500	--
c	0.080	0.150	--
d	0.050TYP		
D	2.00	2.20	--
E	1.150	1.350	--
E1	2.150	2.450	--
e	0.650 BSC		
e1	1.200	1.400	--
L	0.260	0.460	--
L1	0.525REF		
theta	0°	8°	--
All Dimensions in mm			

## Suggested Pad Layout

SOT343 (Type CJ)



Dimensions	Value (in mm)
C	1.30
C1	1.94
X	0.50
X1	0.60
X2	0.05
Y	0.80

### ALL DIMENSIONS ARE NOMINAL VALUES SHOWN IN MILLIMETERS

Note: The suggested land pattern dimensions have been provided for reference only, as actual pad layouts may vary depending on application. These numbers may be modified based on user equipment capability or fabrication criteria. A more robust pattern may be desired for wave soldering and is calculated by adding 0.2 mm to the 'Z' dimension. For further information, please reference document IPC-7351A, Naming Convention for Standard SMT Land Patterns, and for International grid details, please see document IEC, Publication 97.