

iCatch!

Sunplus Camera Solution



凌陽科技股份有限公司

SPCA500A
Digital Camera Chipset

Confidential

SPCA500A

05 Oct, 1999

Ver. 0.2



SPCA500A

Digital Camera Chipset

1. General description

SPCA500A provides a single chip solution for dual-mode digital camera. It includes image sensor interface, image processor, storage controller, image compression engine, USB interface and a built-in micro controller. SPCA500A supports both CCD image sensors and CMOS sensors. The sensor resolution ranges from VGA to XGA.

2. Feature

- Dual mode operation. Support Digital Still Camera mode and PC Camera video mode.
- Still image size 640x480 or 1024x768
- Video image size 640x480, 320x240, 160x120.
- Support both VGA-type and XGA-type CCD sensor :
 - VGA - SHARP LZ24BP, SONY ICX098AK, PANASONIC MN3777
 - XGA - SONY ICX204AK, PANASONIC MN3778
- Support VGA CMOS sensor :
 - HP HDCS-2000, PhotoBit PB320, Hyundai HV7131B, Omnivision QV7610, Pixart PAS002
- Support CDS/AGC/AD :
 - Hitachi HD49323, Sharp IR3Y38M, EXAR XRDxx, Panasonic AN2104FHQ, ADI AD9803.
- Anti-flicker (60Hz/50Hz) function in Video mode
- Programmable polarity of all Timing control signals for CCD and CDS/AGC/ADC
- Support AE/AWB function.
- Support 16 M SDRAM and 64M (2-bank and 4-bank) SDRAM.
- Store the compressed images in the Flash memory or in the DRAM.
- JPEG-based compression algorithm.
- Programmable Quantization table
- Support 2 M, 4 M & 8M x 8 bit NAND Flash memory for storage image/audio data.
- Hardware generated ECC code for (flash) memory access
- Support a digital interface to access AC-97 device.
- Support USB bus with built-in transceiver.
- Six USB pipes supported, including default Control pipe, Isochronous pipe, Bulk-in pipe, Bulk-out pipe, Interrupt pipe and Audio pipe.
- Build-in 8032 micro-controller and 4K byte internal data SRAM
- Synchronous Serial Interfaces to control CMOS sensor
- 128pins QFP package.



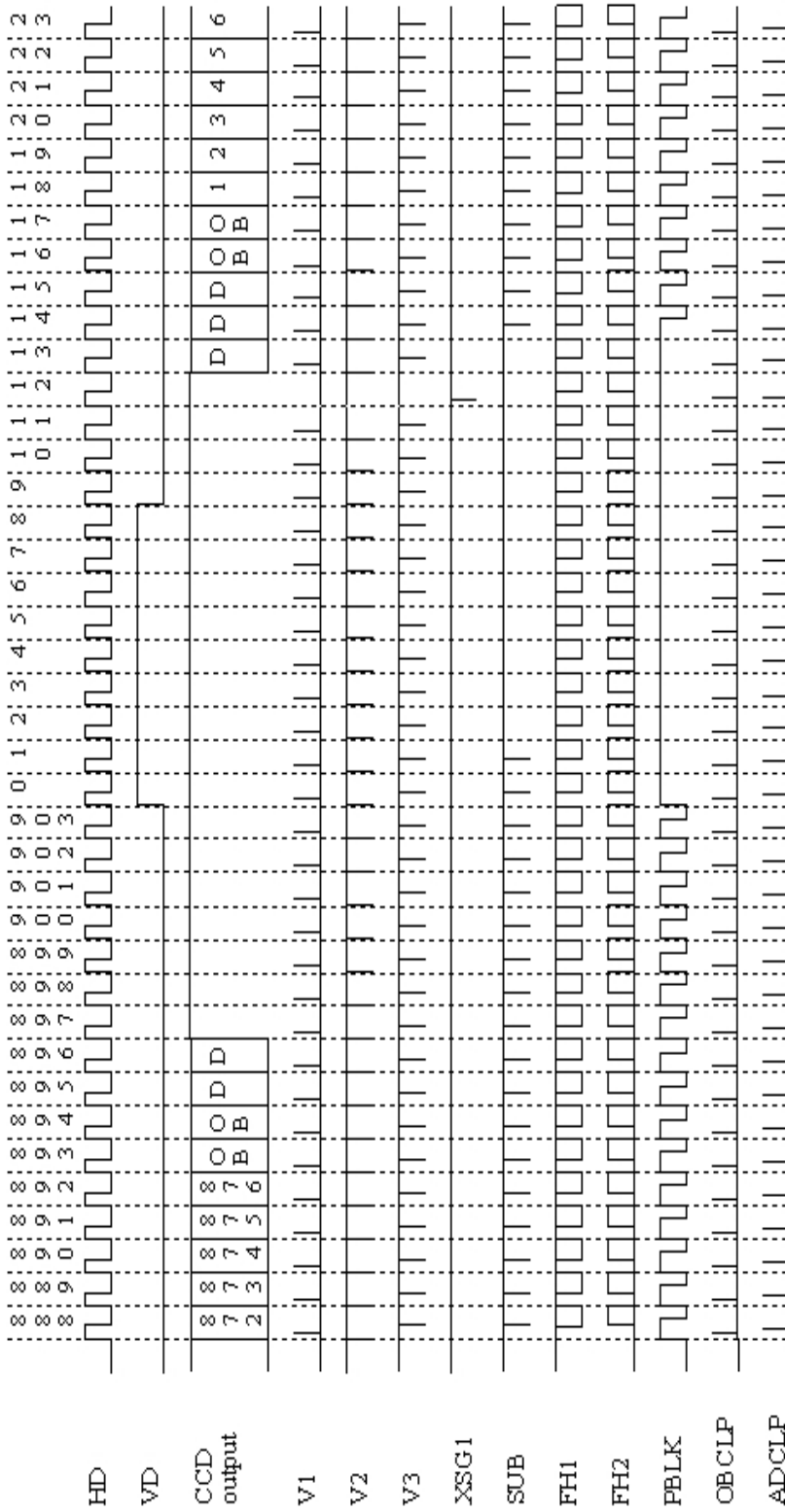
Digital Camera Chipset

The serial programming sequence for the CDS/AGC/ADC interface is as follows. First, users set data to PRG_MODE and CDSBITS as the programming mode, then users write serial data bytes into CDS_REG1, CDS_REG2 through CDS_REGA. Every writing of CDS_REGA will schedule a serial data transfer at the next frame start. Bits that exceed the number of CDSBITS will be discarded. Each data byte is shifted out in MSB-first manner. Several serial interfaces are defined as follows :

- PRG_MODE=0 Only SCK, SDATA, no SLOAD signal needed. One dummy SCK pulse cycle to lead actual data. Every rising SCK to latch SDATA. The falling edge of SCK which latches SDATA at high denotes the end of transfer. (eg. SHARP IR3Y38M)
- PRG_MODE=1 Three signals are used. SCK starts to fall after SLOAD is low. Every rising SCK to latch SDATA. (eg. Hitachi HD49322BF)
- PRG_MODE=2 Three signals are used. SCK starts to rise after SLOAD is low. Every rising SCK to latch SDATA. (eg. ADI AD9803, EXAR XRD44L61)
- PRG_MODE=3 Three signals are used. Every rising SCK to latch SDATA. SLOAD stays low during SCK is clocking, then one pulse of SLOAD denotes the end of transfer. (eg. Panasonic AN2104FHQ)

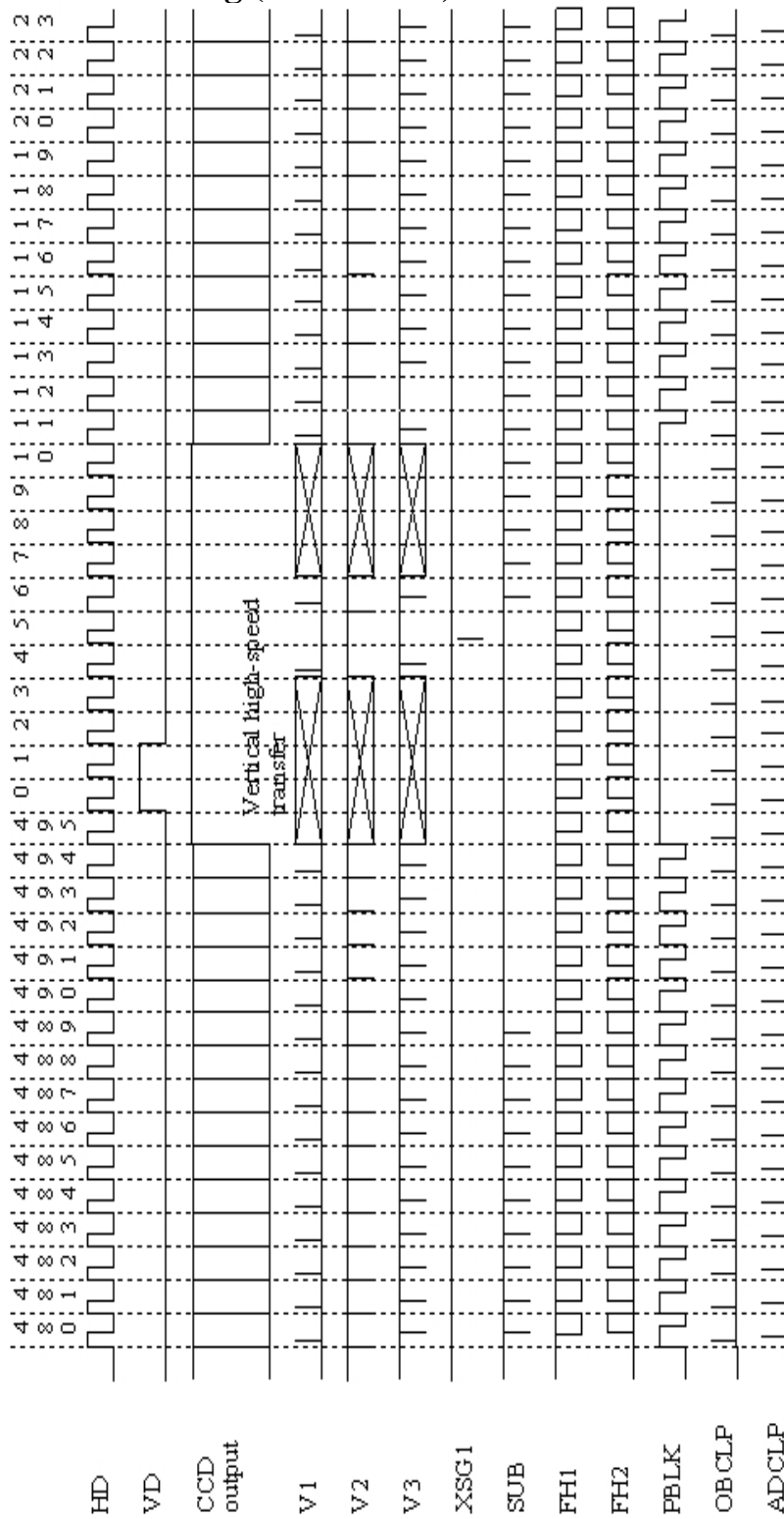


■ V-Rate timing (still image mode)





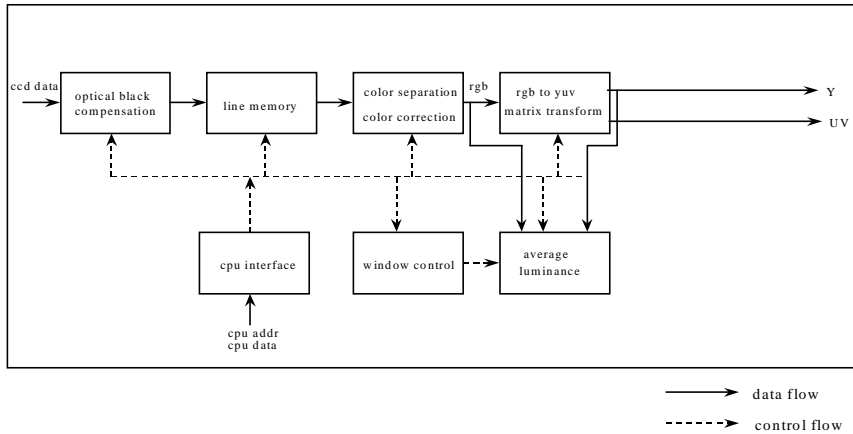
■ V-Rate timing (video mode)





3.3. CDSP

The CDSP performs optical black compensation, color separation, color correction, edge enhancement, gamma correction, white balance measurement and exposure measurement. The functional block is shown.



There are many parameters could be customized by users. Each parameters is 8-bit which are described in section 6.2. All of the customized parameter value are updated at the beginning of one frame.

The parameter of the white balance gain denotes the unsigned representation, the integer part 3-bit and the decimal fraction part 6-bit (ref. Addr 0x8151 to Addr 0x8155).

The parameter of the color correction denotes the 2's compliment representation, the sign bit, the integer part 3-bit and the decimal fraction part 4-bit (ref. Addr 0x8108 to Addr 0x8110). The operation range is from 7.9375 to -8. The color correction performs the following matrix operation :

$$\begin{aligned}
 R_{out} &= A_{11} * R_{in} + A_{12} * G_{in} + A_{13} * B_{in} \\
 G_{out} &= A_{21} * R_{in} + A_{22} * G_{in} + A_{23} * B_{in} \\
 B_{out} &= A_{31} * R_{in} + A_{32} * G_{in} + A_{33} * B_{in}
 \end{aligned}$$

The parameter of the white balance offset denotes the 2's compliment representation, the integer part 7-bit and no the decimal fraction part(ref. Addr 0x8111 to Addr 0x8114).

There are six windows for exposure measurement and five windows for white balance measurement. The window start point (X,Y) is at the most upper left corner. The X is the horizontal axis and equals to 4 times the parameter value. The Y is the vertical axis and equals to 4 times the parameter value except window 5. The Y of the window 5 is 2 times the parameter value. The window 1 to the window 4 are the 128x128 pixels. The window 5 and the window 6 are the 256x256 pixels. All of the window's position is programmable except the window 6.



Digital Camera Chipset

The average luminance denotes with dynamic range [0~255] (ref. Addr 0x8121 to Addr 0x8126). The average $(R-G)/(B-G)$ means the average value of $(R-G)/(B-G)$ in the specified window that the luminance value is greater than the low luminance threshold(Addr 16) and less than the high luminance threshold(Addr 15). It denotes with dynamic range [-128~+127]. However, the actual average $(R-G)/(B-G)$ value in the CCDSP module is 2 times the parameter value (ref. Addr 0x8127 to Addr 0x8130).

The spot count value means the total pixel number in the specified window that the luminance value is greater than the luminance threshold and less than the high luminance threshold . It is a reference value for auto white balance (ref. Addr 0x8133 and Addr 0x813C).

The look-up table is a programmable function for gamma correction. There are 3 look-up tables for R,G,B, respectively. Each look-up table have 16 segments. (ref. Addr 0x8190 to Addr 0x81C2)

The USB burst-read can be performed by reading Addr 0x817D, Addr 0x817E and Addr 0x817F respectively. The burst-read sequence is the window1, window2, window3 and window4. The USB burst-write can be performed by writing Addr 0x817C. The burst-write sequence is the window1 X, window1 Y, window2 X, window2 Y, window3 X, window3 Y, window4 X and window4 Y.

The parameter of brightness denotes 2's complement(Addr 0x8167) and the dynamic range [-128 ~ +127]. The real value of brightness equals 2 times this parameter.

The parameter of contrast(Addr 0x8168) include 1 integer bit and 5 fraction bits. It denotes with dynamic range [0 ~ 1.96875].

The parameter of saturation(Addr 0x8169) include 1 integer bit and 5 fraction bits. It denotes with dynamic range [0 ~ 1.96875].

The parameter of hue(Addr 0x816A and 0x816B) include 10 integer bits. It denotes with dynamic range [0 ~ 719]. Each step represents 0.5 degree.

3.4. JPEG

JPEG-based compression algorithm is adopted in the SPCA500A. The Quantization table is programmable via the JPEG register set. The JPEG compression unit accepts YUV data from the DRAM controller and outputs the VLC code to the DRAM controller. In the DSC mode, the data is YUV422 format. In Video mode the data is YUV420 format. MCU (8x8 minimum coding unit)



sequence in DSC mode is YYUV and YYYYUV in video mode.

The JPEG compression unit also generates the thumbnail image for the DRAM controller. The thumbnail image is constructed by the DC-value of each MCU. The size of the thumbnail image in VGA mode is 80 x 60 and 128 x 96 for the XGA mode.

3.5. DRAM interface

SPCA500A uses DRAM as the frame buffer to hold the incoming image. The DRAM is also used as temporary compression buffer for the compression unit. Optionally, if the DRAM is chosen to be the storage element of the camera (instead of flash memory), it can be used to store the compressed image and thumbnail image. Refer to the DRAM controller register for the different DRAM type and DRAM size settings. The maximum size supported is 4Mega words. Because the different type of DRAMs have different number of bits for their column address and row address, it is more convenient for the DRAM controller to provide a virtual addressing space for the application.

The virtual column address is 10-bit long and row address 12-bit long. This addressing mechanism yields the maximum space of 4-Mega words. However, if only one 16-Mega bit SDRAM is used in the application. The addressing space is only 1 Mega word. Normally, if the application uses flash memory to store the compressed images, there is no need of DRAM with size over 1-Mega words. If the DRAM is chosen to be the storage, then the application may add more DRAM to increase the number of images that can be stored in the camera.

The operation of the DRAM controller is different in the DSC mode and in the Video mode :

In the DSC mode : The DRAM controller goes through capture, compress, and saving stage step by step according to the micro-controller commands. The image size of the DSC mode is fixed at 640x480 for VGA-type CCD sensor, and 1024x768 for XGA-type CCD sensor.

In the Video mode : The DRAM controller operates a bit more automatically. After the input image accumulates to enough amount for the compression unit, it sends the data to the compression unit in the format that the compression unit requests. The DRAM controller also accepts data from the compression unit and stored them in the DRAM temporarily.

In both DSC mode and Video mode, the DRAM controller is responsible to reorder the image data for appropriate JPEG compression format. Also it must decides the size for image in the variety of the operation modes.



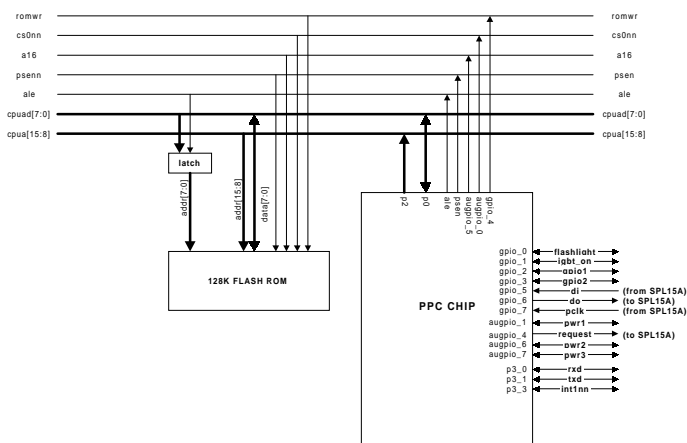
Digital Camera Chipset

If the DRAM is used as the storage element, the DRAM must enter self-refresh state when the camera is not in operation. This will save a lot of power. A register bit in the DRAM controller register set is dedicated to this function. To save image into the DRAM or unload the images from the DRAM, the micro-controller must set a set of range registers. They define the starting address and ending address of the saving/unloading area. The data is stored into (or read from) the DRAM in raster-scan order. Note that the DRAM controller restricts the DRAM range to be set based on a 4-words block. Only 4*N (the multiples of 4) are legal for the starting column address. And only 4N+3 is legal for the ending column address.

3.6. Embedded Micro Controller

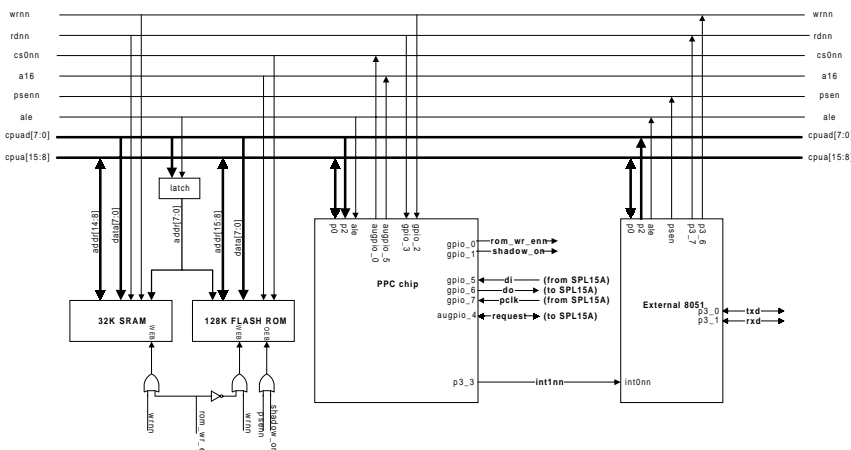
The SPCA500A has integrated an 8032-compatible micro-controller, a serial communication port and a build-in 4Kx 8 SRAM. To simplify the firmware development, the users may disable the internal micro-controller and connect the SPCA500A to an external micro-controller.

Internal CPU connection



For internal 8051 connection, the cpu read/write signals are not routed out of the 128-pin package.
If using external SRAM, the shadow function for ISP is not supported.

External CPU connection



For external CPU connection, gpio_3 and gpio_2 are used as read/write inputs from the external 8051



SPCA500A

Digital Camera Chipset

The micro-controller is similar to DS80C320(Dallas Semiconductor) in terms of hardware features and instruction cycle timing. However, there are some important differences between the micro-controller and the DS80C320 :

■ Serial ports

The micro-controller does not implement serial port framing error detection and does not implement slave address comparison for multiprocessor communications.

■ Timer 2

The micro-controller does not implement timer2 down-counting mode or the down-count enable bit(T2MOD, bit0). The timer2 overflow output is active for one clock cycle. In the DS80C320, the timer2 overflow output is a square wave with a 50% duty cycle.

■ Watchdog timer

The micro-controller does not implement an internal watchdog timer.

■ Power fail detector

The micro-controller does not implement an internal power fail detector.

■ Stop mode

The micro-controller internal cycle counter is reset in stop mode. The micro-controller exits stop mode only when reset.

■ Timed access protection

The micro-controller does not implement timed access protection.

■ Serial communication port

The serial communication port is an optional function. It provides a serial communication between SPCA500A and the external LCD controller(User Interface controller). There are two modes in the serial communication port. The block diagram is shown below, where UI represents the User Interface controller and PPC represents SPCA500A :

● Master-slave mode(UI is master, PPC is slave)

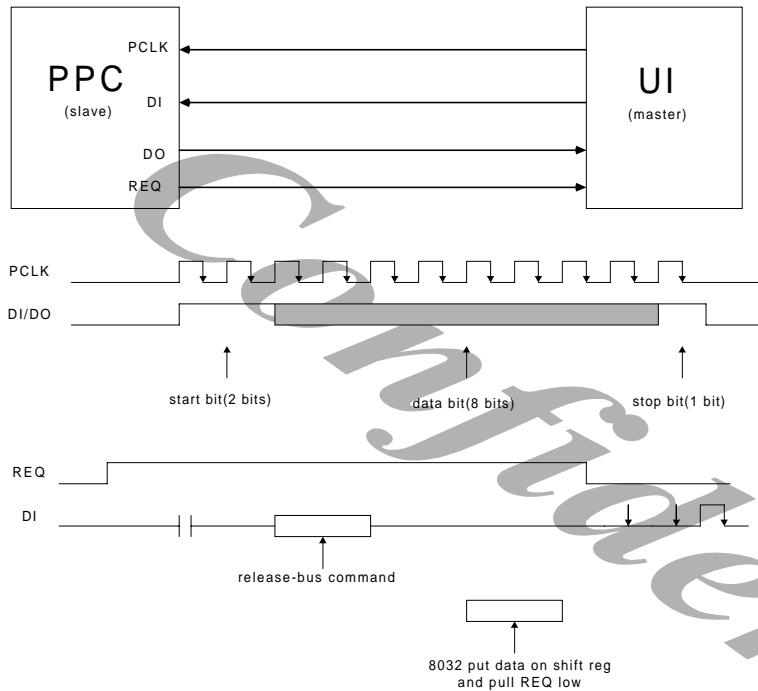
UI send one byte command to PPC first, then PPC processor will reply this command with multiple-byte data(the protocol must be defined first). After the command protocol is finished, another command can be issued. Otherwise, this command will be queued.

● Slave request mode(PPC request to send command to UI)

PPC make request signal (GPIO) pull high to inform UI that PPC want to send command to UI. When UI receive this request, UI will finish the unfinished command if any command is still processing, then UI send out the special command(Grant request) to PPC. Thus, PPC will prepare the command for UI and pull the request signal to low, then UI will fetch the command and reply it.



Serial Interface of PPC and UI



NOTE:

- Tx device use PCLK rising edge to transmit data
- Rx device use PCLK falling edge to sample data
- PPC and UI are half-duplex

3.7. USB

■ USB Pipes and Vendor Command

SPCA500A supports the following 6 USB pipes :

- Default pipe (EP0) : Process the standard commands and vendor commands.
- Video ISO-IN pipe (EP1) : Transmit Video image data (interface 0)
- BULK-IN pipe (EP2) : Upload still image to the PC (interface 1)
- BULK-OUT pipe (EP3) : Download still image and ROM code - for ISP function (interface 1)
- INTERRUPT-IN pipe (EP4) : Transmit device events (interface 1)
- Audio ISO-IN pipe (EP5) : Transmit audio data (interface 2)

All standard commands, except the Get Descriptor command, are processed by hardware. For Get Descriptor command and vendor commands, the USB controller latches the 8-byte commands in the EP0 FIFO and interrupt the micro-controller. The micro-controller then read the 8-byte command, decode it, and prepare the appropriate data corresponding the command if necessary. The data, in any, is then sent to the USB bus by the USB controller.



Digital Camera Chipset

The alternative setting command for each interface is done by hardware. However, there is a mechanism to inform firmware if the USB host changes the setting. The mechanism is described as follows :

1. Record the latest alternative setting.
2. Compare the latest setting (in USB side) with the previous one (in CPU side).
3. If the comparison is different, an interrupt will be asserted to inform the CPU.
4. The CPU writes the value of the alternative setting in USB side to that in CPU side.

■ **USB Vendor Command for Register Read/Write (for example)**

Command	bmReqType	bRequest	wValue	wIndex	wLength
Read	0C1	0x00	Reserved	Address	1
Write	0x41	0x00	High byte : reserved low byte: write value	Address	0

■ **USB Vendor Command for Image Upload (for example)**

Command	bmReqType	bRequest	wValue	wIndex	wLength
Get thumbnail	0x41	0x01	Image index	0x0000	0x0000
Get image	0x41	0x01	Image index	0x0001	0x0000
Get FAT	0x41	0x01	Reserved	0x0002	0x0000
Get status	0xc1	0x01	Reserved	0x0003	0x0001

■ **USB Video ISO-IN Packet Format**

For the video ISO-IN pipe (the EP1), the host may issue standard commands to change its maximum packet size. To achieve the optimal system performance, the user must adjust the alternative interface setting based on the image size and compression rate. The following table shows the maximum packet sizes for the available alternative interface settings.

Alternative Interface Setting	Maximum Packet Size (bytes)
0	0
1	128
2	384
3	512
4	640
5	768
6	896



7	1023
---	------

The size of each video ISO-IN packet is either maximum or zero. If the drop packet option is enabled, the packet size is only maximal. Three possible types of packets are described below :

1. Start of frame packet :

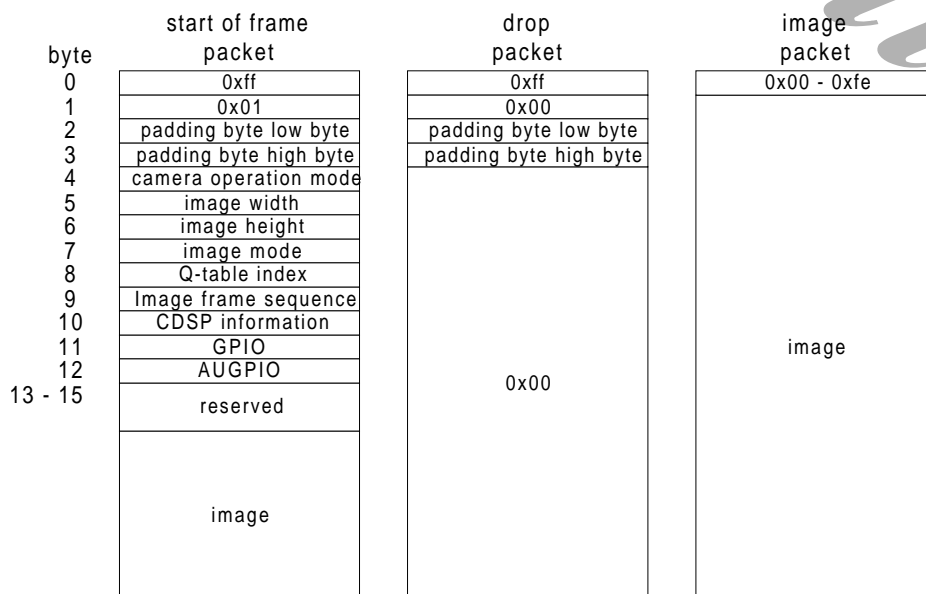
The first byte must be 0xff and the second byte be 0x01. Byte 2 to byte 15 contain image information of the corresponding image frame. The padding byte field indicates the number of padding bytes of the previous packet.

2. Drop packet :

The packet contains no data. This indicates there is not enough data for transmission. The packet is padded with all 0's after byte 3.

3. Image packet :

If the first byte of the packet is not 0xff, then the packet is an image packet. The first byte is the image sequence byte. The rest are image data.



Note : CDSP information bit 0 is "edge enhancement enable" corresponding to register 0x8156 bit 0.

CDSP information bit 1 is "Gamma lookup table enable" corresponding to register 0x8156 bit 1.

Camera operation mode corresponds to register 0x8000

Image width corresponds to register 0x8001

Image height corresponds to register 0x8002

Q-table index corresponds to register 0x8880

GPIO corresponds to register 0x8982

AUGPIO corresponds to register 0x8985

Image frame sequence is the count for transmitted image frames.



■ USB Bulk-IN Packet Format

The maximum packet size is fixed at 64 bytes. The size of each Bulk-IN packet is either maximum or zero. Zero-padding is applied to the last packet to make the size maximum if necessary.

■ USB Bulk-OUT Packet Format

The maximum packet size is fixed at 64 bytes. The size of each Bulk-OUT packet must be maximal.

■ USB Interrupt-IN Packet Format

The maximum packet size is fixed at two bytes. The micro-controller must program the interrupt pipe registers (both register 0x8506 and 0x8507) after it detects a new event. The USB controller sends the interrupt data to the host only after register 0x8507 is written.

■ USB Audio ISO-IN Packet Format

The maximum packet size may be changed via standard USB commands. The size of each audio ISO-IN packet is either maximum or zero. The data in the packet is all audio data.

3.8. Flash Memory

The flash memory is used to store still image compression data and thumbnail image. The CPU can transfer command, address and data to the flash memory by the 8-bit I/O port. There are three operation modes for the CPU to read/write the flash memory : one is the direct mode, another is the FIFO mode and the other is pseudo DRAM mode. The ECC that is 22-bit code for every 256 bytes will be generated in the FIFO mode. The ECC generated by hardware can be read from the registers (3 bytes for 256 bytes/page and 6 bytes for 512 bytes/page). The read/write operation sequence is described as follows :

1. set the flash memory chip enable
2. set the flash memory command enable (0x8400)
3. write command to the flash memory via the flash memory data register (0x8400)
4. clear the flash memory command enable
5. set the flash memory address enable
6. write address to the flash memory via the flash memory data register (0x8400)
7. clear the flash memory address enable
8. wait the flash memory ready

Direct mode:



9. read/write data from/to the flash memory via the flash memory data register(0x8400)
10. read/write additional data from/to the flash memory via the flash memory data register(0x8400)

FIFO mode :

9. read/write data from/to the flash memory via the post buffer data register (0x8300)
10. read the ECC generated by hardware from the ECC registers
11. read/write additional data from/to the flash memory via the flash memory register (0x8400)

Pseudo DMA mode :

9. read the post buffer and write to the flash memory or read the flash memory and write to the post buffer via the post buffer data register (0x8300)
10. read the ECC generated by hardware from the ECC registers
11. read/write additional data from/to the flash memory via the flash memory register (0x8400)

3.9. Post buffer

■ **FIFO Control**

There are two 1k-byte deep FIFOs in the device to concurrently handle both incoming and outgoing data stream in various operation modes and to easily handle data for the USB host controller. Some detailed information about the FIFO is shown as follows :

■ **Video Camera Mode :**

When SPCA500A is operated as a PC camera, the “mode” field in the register (0x8000) must be set to the video camera mode (0x4). In this mode, the image data will be processed by the front end and then will be transmitted into the post buffer through DRAM. The data in the post buffer will be read by the USB host controller through the Bulk-IN pipe or ISO-IN pipe based on the setting at the “VidBulkEn” field in the register. The deep of post buffer is the same as the maximal packet size of the USB that is used to transfer the image data in this mode.

■ **Still Camera Mode :**

When SPCA500A is operated as a DSC camera, the “mode” field in the register (0x8000) must be set to the still camera mode (0x3). In this mode, the image data will be processed and then will be transmitted into the post buffer through DRAM. The data in the post buffer will be read by the CPU and written into flash memory by the pseudo DMA mode (1). The deep of post buffer is the same as the page size of flash memory in this mode.

■ **Upload Mode (1) :**



Digital Camera Chipset

When SPCA500A wants to record sound into flash memory, the “mode” field in the register (0x8000) must be set to the upload mode (0x1) and the “OprMode” field in the register (0x8301) must be set to the value of 0x1. In this mode, the CPU will read and process the audio data and then write into flash memory by the FIFO mode. The deep of post buffer is the same as the page size of flash memory in this mode.

■ Upload Mode (2) :

When SPCA500A wants to read data from flash memory and to transfer through the CPU, for example RS-232 port, the “mode” field in the register (0x8000) must be set to the upload mode (0x1) and the “OprMode” field in the register (0x8301) must be set to the value of 0x2. In this mode, the CPU will read and process data from flash memory by the FIFO mode. The deep of post buffer is the same as the page size of flash memory in this mode.

■ Upload Mode (3) :

When SPCA500A wants to upload data from flash memory to the PC through the USB bus, the “mode” field in the register (0x8000) must be set to the upload mode (0x1) and the “OprMode” field in the register (0x8301) must be set to the value of 0x3. In this mode, The data in flash memory will be read by the CPU and written into post buffer by the pseudo DMA mode (2). The data in the post buffer will be read through the Bulk-IN pipe by the USB host controller. The deep of post buffer is the same as the page size of flash memory in this mode.

■ Upload Mode (4) :

When the USB host wants to do loop-back test, the “mode” field in the register (0x8000) must be set to the upload mode (0x1) and the “OprMode” field in the register (0x8301) must be set to the value of 0x4. The forward path is from the PC through Bulk-OUT pipe to the CPU and the backward path is from the CPU through Bulk-IN pipe to the PC. The backward path is supported in this mode and the forward path is supported in the next mode, Upload Mode (5). The deep of post buffer is 64 bytes in this mode.

■ Upload Mode (5) :

When the USB host wants to update the ROM code for the CPU on flash memory, the “mode” field in the register (0x8000) must be set to the upload mode (0x1) and the “OprMode” field in the register (0x8301) must be set to the value of 0x5. The new ROM code is transmitted into post buffer from the PC through the Bulk-OUT pipe. Then the CPU reads the post buffer and update the ROM code on the flash memory. The deep of post buffer is 64 bytes in this mode.

■ Upload Mode (6) :



Digital Camera Chipset

When SPCA500A wants to read data from DRAM and to transfer through the CPU, for example RS-232 port, the “mode” field in the register (0x8000) must be set to the upload mode (0x1) and the “OprMode” field in the register (0x8301) must be set to the value of 0x6. In this mode, the data is read from DRAM, transmitted into post buffer and then the CPU will read and process data from post buffer. In this mode, DRAM is as storage and the deep of post buffer is 64 bytes.

■ Upload Mode (7) :

When SPCA500A wants to read data from DRAM and to transfer to the PC through the USB Bulk-IN pipe, the “mode” field in the register (0x8000) must be set to the upload mode (0x1) and the “OprMode” field in the register (0x8301) must be set to the value of 0x7. In this mode, the data be transmitted into the post buffer from DRAM. The data in the post buffer will be read through the Bulk-IN pipe by the USB host controller. In this mode, DRAM is as storage and the deep of post buffer is 64 bytes.

■ Upload Mode (8) :

This is a test mode. In this mode, the “mode” field in the register (0x8000) must be set to the upload mode (0x1) and the “OprMode” field in the register (0x8301) must be set to the value of 0x8. The CPU will write, read back and compare data through post buffer and the deep of post buffer is 64 bytes in this mode.

■ Test Mode (0):

This is a test mode. In this mode, the “PBTest” field in the register (0x8304) to the value of 0x01. In this mode, the data from DRAM will be transmitted into the post buffer. The data in the post buffer will be forced to read by the CPU and written into flash memory by the pseudo DMA mode (1). The deep of post buffer is the same as the page size of flash memory in this mode.

■ Test Mode (1) :

This is a test mode. In this mode, the “PBTest” field in the register (0x8304) to the value of 0x02. In this mode, the data from DRAM will be transmitted into the post buffer. The data in the post buffer will be forced to read through the Bulk-IN pipe by the USB host controller. The deep of post buffer is 64 bytes in this mode.

■ Test Mode (2) :

This is a test mode. In this mode, the “PBTest” field in the register (0x8304) to the value of 0x04. In this mode, the data from DRAM will be transmitted into the post buffer. The data in the post buffer will be forced to read through the ISO-IN pipe by the USB host controller. The deep of post buffer is the same as the maximal packet size of the USB that is used to transfer the image data in this mode.

3.10. Audio

The audio controller is fully compatible with the AC-97 specification. It provides a digital interface (AC-link) to access an AC-97 codec. The AC-link is a bi-directional, fixed rate, serial PCM digital stream. It handles multiple input and output audio streams, as well as control register accesses. The AC-link architecture divides each audio frame into 12 outgoing and 12 incoming data stream, each with 20-bit sample resolution.

3.11. Power Control

When SPCA500A is operated in the video camera mode or upload mode, its power is supplied by the USB bus. According to the USB specification 1.0, no USB device may require more than 100 mA when first attached, a configured bus-powered USB device attached to a self-powered hub may use up to 500 mA and all USB devices must support a suspended mode that requires less than 500 uA. When SPCA500A is operated in the still camera mode, the power is supplied by batteries. So the power control is quite important. Most major components, such as image sensor module, DRAM, flash memory and audio device, are power-off when they are not in operation. All the input and bi-directional signals connected to the chip must be pulled high or low either by internal resistors inside the chip or by external resistors on the PC board. It prevents these signals from floating. During suspend state, the clock is stopped and all GPIOs are set to the predefined states (high or low depending on the register settings). These GPIO's may be used to control the power switches on the board. SPCA500A enters suspend state on any one of the following two conditions. First, when SPCA500A has detected the USB bus is idle for more than 3 ms. Second, a power-down event is detected on an GPIO pin. Both of the suspend conditions may be enabled or disabled via corresponding registers (register 0x8013 bit 1:0). Once the suspend event is detected, the micro-controller performs the suspend procedure and then stop the oscillator of SPCA500A.

SPCA500A exits suspend state when it detects a non-idle state on the USB bus. Another way to wake up the SPCA500A is activating a predefined wake up pin (a GPIO). The SPCA500A has a built-in resume counter to ensure it is not in operation until the clock is stable. The built-in micro-controller is reset automatically after resume is over.

3.12. Synchronous Serial Interfaces

The Synchronous Serial Interfaces is used to program the peripheral IC.

The write sequence :

S	Slave Address + wb	ACKs	Sub Address	ACKs	Data	ACKs	P
---	--------------------	------	-------------	------	------	------	---



The read sequence :

S	Slave Address + wb	ACKs	Sub Address	ACKs	
Sr	Slave Address + r	ACKs	Data	ACKm	P

Or

S	Slave Address + wb	ACKs	Sub Address	ACKs	P
S	Slave Address + r	ACKs	Data	ACKm	P

Where S is start condition, ACKs is acknowledge from slave, P is stop, Sr is repeat start condition, and ACKm is acknowledge from master.

4. IO Trap Description

Trap Pin	Function	Note
ma[0]	The CPU selection 0: internal 1: external	
ma[1]	The CPU clock frequency selection 0: 12 MHz 1: 24 MHz	
ma[2]	The USB transceiver selection 0: internal 1: external	
ma[3]	Internal PLL for generating 48 MHz clock 0: disable 1: enable	
ma[5:4]	The input frequency division	
ma[8:6]	The feedback frequency division	
ma[11:9]	The test mode 0: normal 1: CPU 2: TG 3: CDSP 4: MEMC 5: JPEG 6: BUFUSB 7: Globe	Internal pull-low



5. Pin Assignment and Package

■ Pin Assignment

Pad Number	Name	Direction	Memo
1	ovss1	PG	
2	ovdd1	PG	
3	cke	O	
4	sdelk	O	
5	md0	IO	5V
6	md1	IO	5V
7	md2	IO	5V
8	md3	IO	5V
9	md4	IO	5V
10	md5	IO	5V
11	md6	IO	5V
12	md7	IO	5V
13	prstnn	I	5V
14	dvss1	PG	
15	xtalin	I	
16	xtalout	O	
17	dvddpll	PG	
18	md8	IO	5V
19	md9	IO	5V
20	md10	IO	5V
21	md11	IO	5V
22	md12	IO	5V
23	md13	IO	5V
24	md14	IO	5V
25	md15	IO	5V
26	ma[0]	IO	5V, IO-trap
27	ma[1]	IO	5V, IO-trap
28	ma[2]	IO	5V, IO-trap
29	ma[3]	IO	5V, IO-trap
30	ma[4]	IO	5V, IO-trap
31	ma[5]	IO	5V, IO-trap
32	ma[6]	IO	5V, IO-trap
33	ma[7]	IO	5V, IO-trap
34	ma[8]	IO	5V, IO-trap
35	ovss2		
36	ovdd2		
37	ma[9]	IO	5V,IO-trap,testmode
38	ma[10]	IO	5V,IO-trap, testmode
39	ma[11]	IO	5V,IO-trap,testmode
40	ma[12]	O	fmcle
41	ma[13]	O	fmale
42	fmcenn	O	
43	fmrenn	O	
44	fmwenn	O	
45	fmwpnn	O	
46	fmrdy	I	5V, external pull-up
47	p0[0]	IO	5V
48	p0[1]	IO	5V
49	p0[2]	IO	5V
50	p0[3]	IO	5V
51	p0[4]	IO	5V
52	p0[5]	IO	5V
53	p0[6]	IO	5V



Digital Camera Chipset

54	p0[7]	IO	5V
55	dvss2		
56	dvdd2		
57	gpio[0]	IO	5V,S
58	gpio[1]	IO	5V,S
59	gpio[2]	IO	5V,S (ext. cpu write)
60	gpio[3]	IO	5V,S(ext. cpu read)
61	gpio[4]	IO	5V,S(ROM write)
62	gpio[5]	IO	5V,S
63	gpio[6]	IO	5V,S
64	gpio[7]	IO	5V,S
65	ale	IO	5V
66	psenn	IO	5V
67	ovss3		
68	ovdd3		
69	p2[0]	IO	5V
70	p2[1]	IO	5V
71	p2[2]	IO	5V
72	p2[3]	IO	5V
73	p2[4]	IO	5V
74	p2[5]	IO	5V
75	p2[6]	IO	5V
76	p2[7]	IO	5V
77	augpio[0]	IO	5V
78	augpio[1]	IO	5V
79	augpio[2]	IO	5V
80	augpio[3]	IO	5V
81	p3[3]	IO	5V
82	augpio[4]	IO	5V
83	augpio[5]	IO	5V
84	augpio[6]	IO	5V
85	augpio[7]	IO	5V
86	dvss3		
87	dvdd3		
88	ccdrbg[0]	I	5V
89	ccdrbg[1]	I	5V
90	ccdrbg[2]	I	5V
91	ccdrbg[3]	I	5V
92	ccdrbg[4]	I	5V
93	ccdrbg[5]	I	5V
94	ccdrbg[6]	I	5V
95	ccdrbg[7]	I	5V
96	ccdrbg[8]	I	5V
97	ccdrbg[9]	I	5V
98	Suspend	O	
99	Uvdd	PG	
100	Dm	IO	
101	Dp	IO	
102	Uvss	PG	
103	Vtax	IO	5V,S (exthd)
104	Vtbx	IO	5V,S (extvd)
105	Vtdx	IO	
106	Vhax	IO	
107	Ofd	IO	
108	Fr	IO	
109	fh1	IO	
110	fh2	IO	



111	Load	IO	
112	tvss	PG	
113	tvdd	PG	
114	sck	IO	(Serial clock)
115	sdi	IO	(Serial data, pull up ext)
116	pblk	IO	
117	rs	IO	
118	fs	IO	CLKX1 output
119	fcds	IO	CLKX2 output
120	adclp	IO	5V,CKx2 input
121	bpx	IO	
122	adck	IO	5V,CKx1 input
123	dvss4	PG	
124	dvdd4	PG	
125	rasnn	O	
126	casnn	O	
127	mwenn	O	
128	moenndqm	O	

L: chip internal pull-low

H: chip internal pull-high

Z: chip does not drive/pull the pin

C: customized on the board (pull-high or pull-low)

P: the output enable is programmable via internal register

O: chip drive low

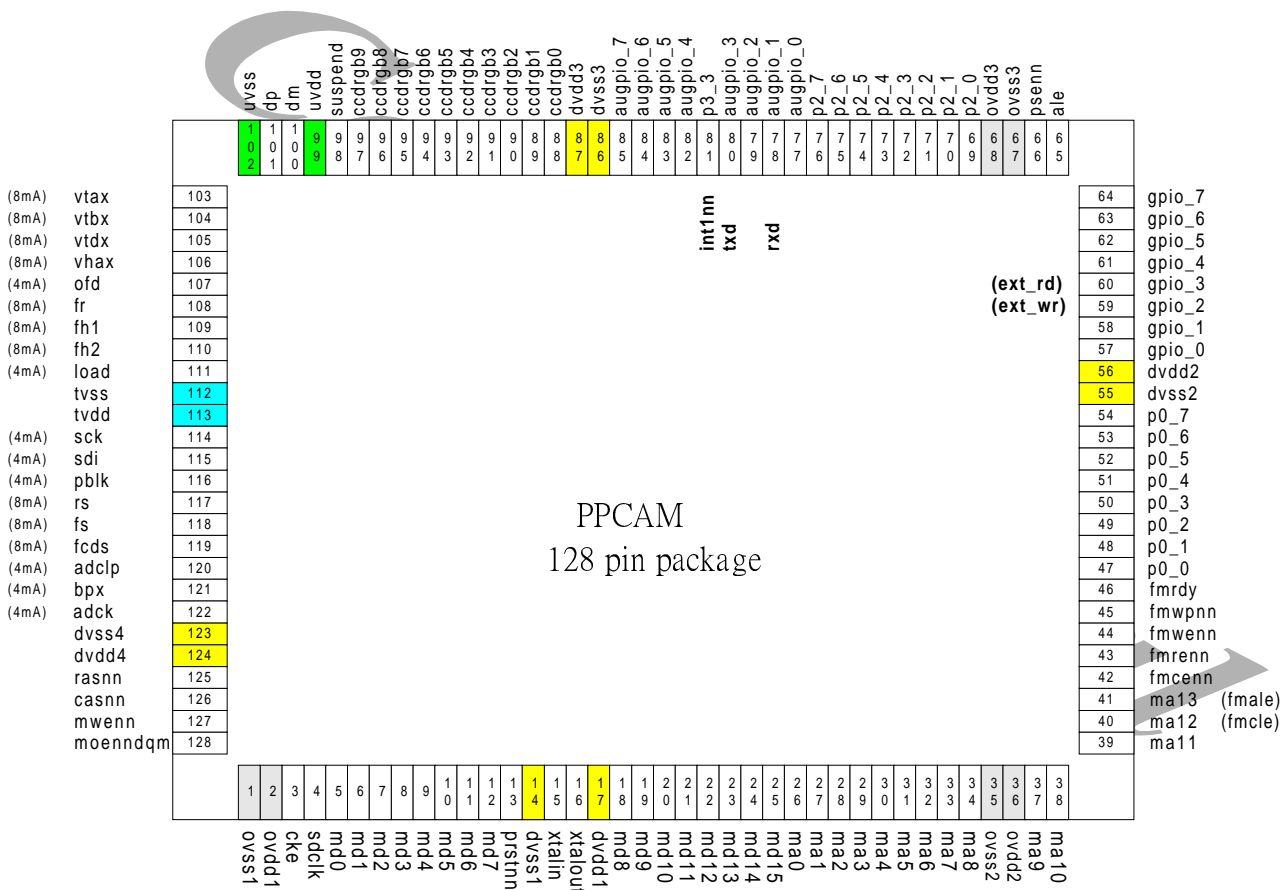
1: chip drive high

5V: 5-volt tolerant IO

S: schmitt trigger



■ Pin Outline

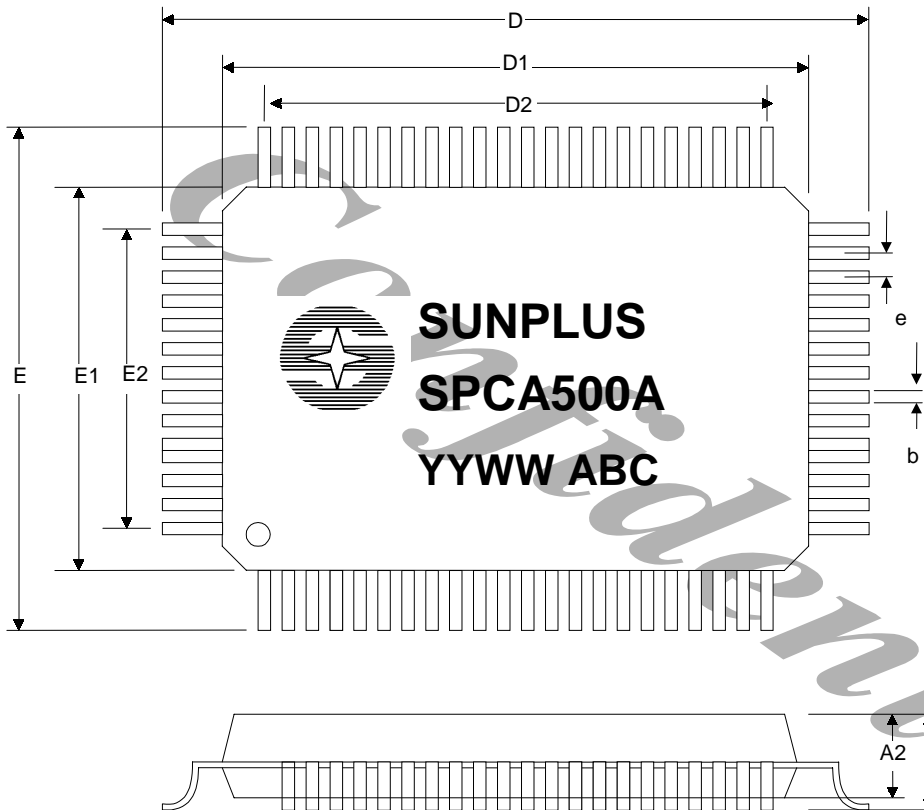


- TG IO power/ground
- internal cell power/ground
- USB cell power/ground
- IO buffer power/ground



SPCA500A Digital Camera Chipset

Package dimension



Note : YYWW : Date Code, ABC : Internal Code

Symbol	Min.	Nom.	Max.
A	-	-	3.4
A2	2.5	2.72	2.9
E	17.20	17.20	17.20
E1	14.00	14.00	14.00
E2	12.50	12.50	12.50
D	23.20	23.20	23.20
D1	20.00	20.00	20.00
D2	18.50	18.50	18.50
e	0.50	0.50	0.50
b	0.17	0.20	0.27

unit : millimeter