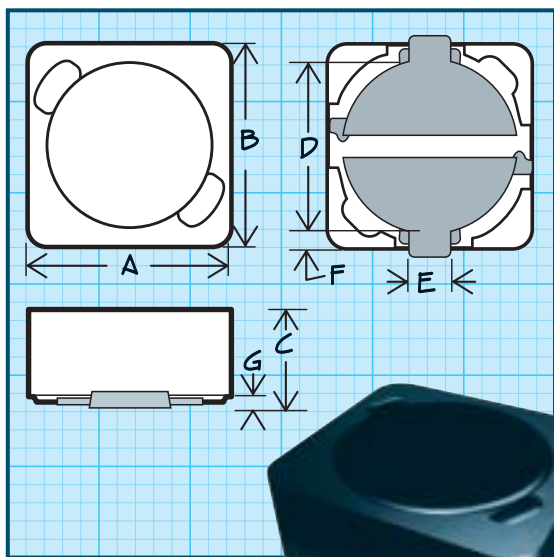


Series SPD62

Shielded Surface Mount Inductors



Physical Parameters

	Inches	Millimeters
A	0.244 ± 0.012	6.2 ± 0.3
B	0.260 ± .012	6.6 ± 0.3
C	0.118 max.	3.0 max.
D	0.181 Ref. only	4.60 Ref. only
E	0.059 ± 0.007	1.5 ± 0.2
F	0.050 ± 0.007	1.27 ± 0.2
G	0.015 Ref. only	0.38 Ref. only

Mechanical Configuration Units designed for surface mounting; ferrite core and ferrite sleeve

Terminals are Solderable More than 95% new solder coverage when subjected to soldering temperature

Operating temperature range -55°C to +125°C

Application Frequency Range
 Values 1.2µH to 12µH to 1.0 MHz Min.
 Values above 12µH to 300 KHz Min.

Current Rating at 25°C Ambient The maximum DC current that will cause a 40°C maximum temperature rise and where the inductance will not decrease by more than 10% from its zero DC value

Packaging Tape & reel (16mm):
 13" reel, 1500 pieces max.; 7" reel not available

PART NUMBER	INDUCTANCE (µH) ± 20%	TEST FREQUENCY (KHz)	DC RESISTANCE MAXIMUM (Ohms)	CURRENT RATING MAXIMUM (Amps)
SERIES SPD62				
SPD62-122M	1.2	100	0.040	3.50
SPD62-242M	2.4	100	0.045	2.80
SPD62-352M	3.5	100	0.060	2.50
SPD62-472M	4.7	100	0.070	2.00
SPD62-682M	6.8	100	0.080	1.80
SPD62-103M	10	100	0.12	1.40
SPD62-123M	12	100	0.13	1.30
SPD62-153M	15	1.0	0.15	1.20
SPD62-183M	18	1.0	0.19	1.10
SPD62-223M	22	1.0	0.20	1.00
SPD62-273M	27	1.0	0.25	0.94
SPD62-333M	33	1.0	0.28	0.82
SPD62-393M	39	1.0	0.40	0.78
SPD62-473M	47	1.0	0.44	0.70
SPD62-563M	56	1.0	0.51	0.68
SPD62-683M	68	1.0	0.64	0.56
SPD62-823M	82	1.0	0.71	0.50
SPD62-104M	100	1.0	0.81	0.41
SPD62-124M	120	1.0	0.95	0.39
SPD62-154M	150	1.0	1.07	0.37
SPD62-184M	180	1.0	1.67	0.35
SPD62-224M	220	1.0	1.89	0.32
SPD62-274M	270	1.0	2.77	0.29
SPD62-334M	330	1.0	3.30	0.22

POWER INDUCTORS