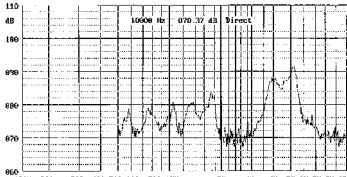


SMT Transducer

SPT-1448 SMT Transducer

FREQUENCY RESPONSE

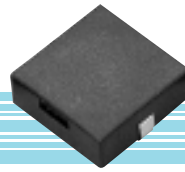
[actual curve of type]



applied voltage: 10V, 1/2 duty, square wave distance for measurement: 10cm

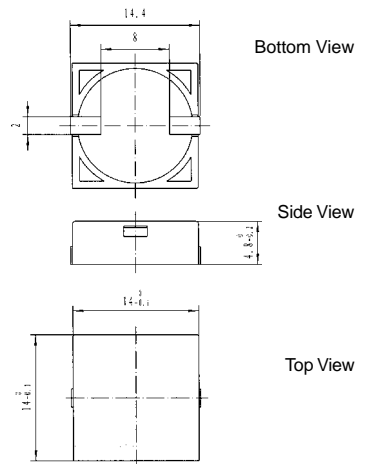
Model No	SPT-1448
Rated Voltage	12Vp-p Square Wave
Operating Voltage	30Vp-p Square Wave
Max. Rated Current	2mA at 4KHz /12Vp-p Square Wave
Min. Sound Pressure Level	85dB at 4KHz /12Vp-p Square Wave
Capacitance at 100Hz	10000jA30%pF
Resonant Frequency	4.0KHz
Operating Temperature	-20~+80jæ
Weight	1 g

* Value applying at rated voltage



color Black
PPS Housing Material
SMT Terminal

DIMENSIONS

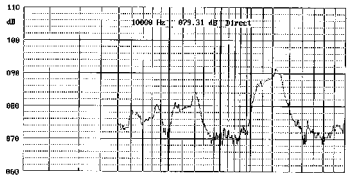


all dimensions are in mm

SPT-1750 SMT Transducer

FREQUENCY RESPONSE

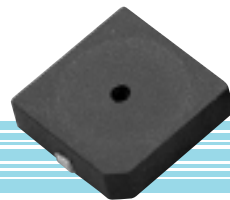
[actual curve of type]



applied voltage: 10V, 1/2 duty, square wave distance for measurement: 10cm

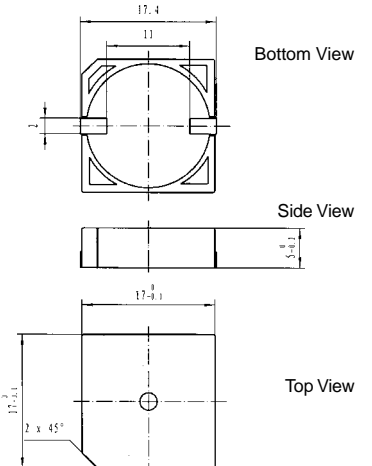
Model No	SPT-1750
Rated Voltage	12Vp-p Square Wave
Operating Voltage	30Vp-p Square Wave
Max. Rated Current	2mA at 4KHz /12Vp-p Square Wave
Min. Sound Pressure Level	85dB at 4KHz /12Vp-p Square Wave
Capacitance at 100Hz	10000jA30%pF
Resonant Frequency	4.0KHz
Operating Temperature	-20~+80jæ
Weight	1.5 g

* Value applying at rated voltage



color Black
PPS Housing Material
SMT Terminal

DIMENSIONS

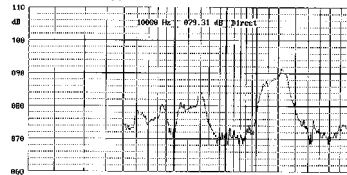


all dimensions are in mm

SPT-2270 SMT Transducer

FREQUENCY RESPONSE

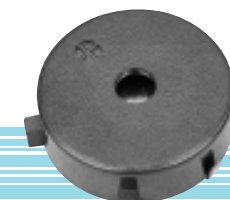
[actual curve of type]



applied voltage: 10V, 1/2 duty, square wave distance for measurement: 10cm

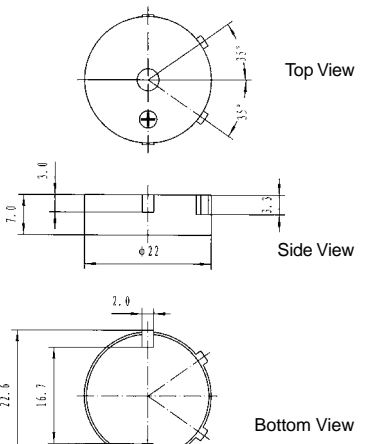
Model No	SPT-2270
Rated Voltage	10Vp-p Square Wave
Operating Voltage	1~30Vp-p Square Wave
Max. Rated Current	3mA at 4KHz /10Vp-p Square Wave
Min. Sound Pressure Level	85dB at 4KHz /10Vp-p Square Wave
Capacitance at 100Hz	15000jA30%pF
Resonant Frequency	4.0jA5.0KHz
Operating Temperature	-20~+80jæ
Weight	2.5 g

* Value applying at rated voltage



color Black
PPS Housing Material
SMT Terminal

DIMENSIONS



all dimensions are in mm

The information contained herein is believed to be correct, but no guarantee for accuracy, completeness, DSW Electronics Ltd. reserves the right to make changes without notification.