

SR26 - SR29

PRV : 100 - 800 Volts
Io : 2.0 Amperes

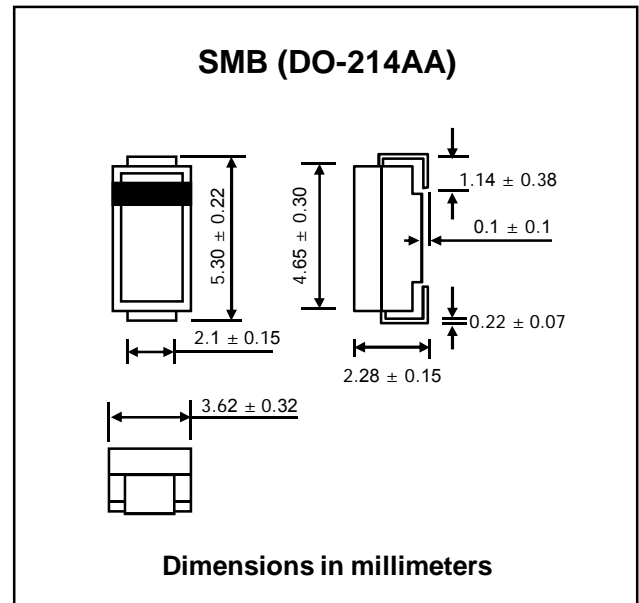
FEATURES :

- * High current capability
- * High surge current capability
- * High reliability
- * Low reverse current
- * Low forward voltage drop
- * Fast switching for high efficiency
- * Pb / RoHS Free

MECHANICAL DATA :

- * Case : SMB Molded plastic
- * Epoxy : UL94V-0 rate flame retardant
- * Lead : Lead Formed for Surface Mount
- * Polarity : Color band denotes cathode end
- * Mounting position : Any
- * Weight : 0.1079 gram

FAST RECOVERY SILICON SURFACE MOUNT



MAXIMUM RATINGS AND ELECTRICAL CHARACTERISTICS

Rating at 25 °C ambient temperature unless otherwise specified. Single phase, half wave, 60 Hz, resistive or inductive load.
For capacitive load, derate current by 20%.

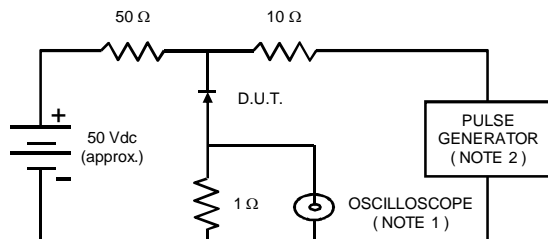
RATING	SYMBOL	SR26	SR27	SR28	SR29	UNIT
Maximum Recurrent Peak Reverse Voltage	V_{RRM}	100	200	400	800	V
Maximum RMS Voltage	V_{RMS}	70	140	280	560	V
Maximum DC Blocking Voltage	V_{DC}	100	200	400	800	V
Maximum Average Forward Current $T_a = 50\text{ }^\circ\text{C}$	$I_{F(AV)}$	2.0				A
Peak Forward Surge Current, 8.3ms Single half sine wave Superimposed on rated load (JEDEC Method)	I_{FSM}	70				A
Maximum Peak Forward Voltage at $I_F = 2.0\text{ A}$	V_F	1.3				V
Maximum DC Reverse Current $T_a = 25\text{ }^\circ\text{C}$ at Rated DC Blocking Voltage $T_a = 100\text{ }^\circ\text{C}$	I_R	10				μA
	$I_{R(H)}$	500				μA
Maximum Reverse Recovery Time (Note 1)	T_{rr}	250				ns
Typical Junction Capacitance (Note 2)	C_J	28				pF
Junction Temperature Range	T_J	- 50 to + 125				$^\circ\text{C}$
Storage Temperature Range	T_{STG}	- 50 to + 150				$^\circ\text{C}$

Notes :

- (1) Reverse Recovery Test Conditions : $I_F = 0.5\text{ A}$, $I_R = 1.0\text{ A}$, $I_{rr} = 0.25\text{ A}$.
- (2) Measured at 1.0 MHz and applied reverse voltage of 4.0 Vdc.

RATING AND CHARACTERISTIC CURVES (SR26 - SR29)

FIG.1 - REVERSE RECOVERY TIME CHARACTERISTIC AND TEST CIRCUIT DIAGRAM



NOTES : 1. Rise Time = 7 ns max., Input Impedance = 1 megaohm, 22 pF.
2. Rise time = 10 ns max., Source Impedance = 50 ohms.
3. All Resistors = Non-inductive Types.

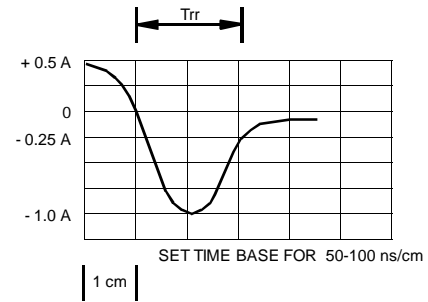


FIG.2 - DERATING CURVE FOR OUTPUT RECTIFIED CURRENT

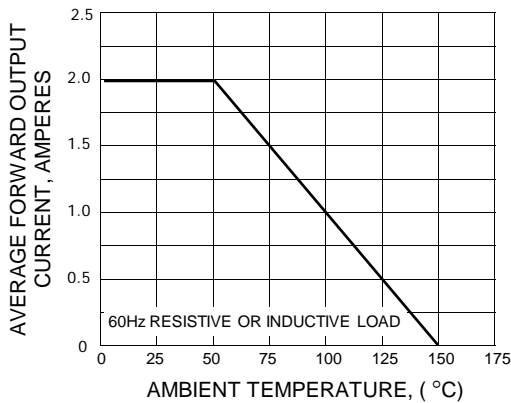


FIG.3 - MAXIMUM NON-REPETITIVE PEAK FORWARD SURGE CURRENT

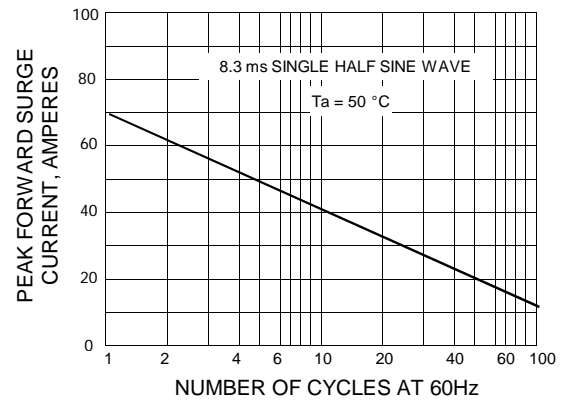


FIG.4 - TYPICAL FORWARD CHARACTERISTICS

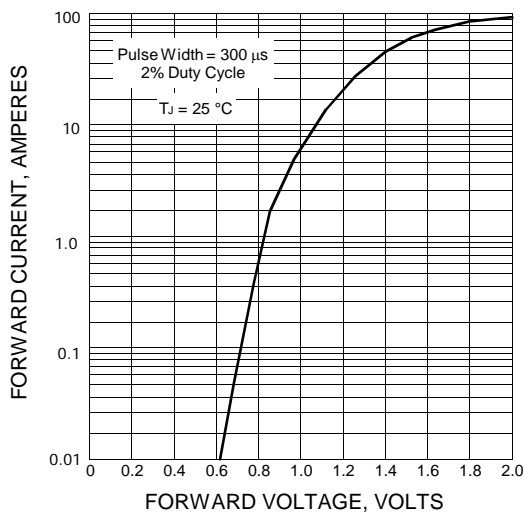


FIG.5 - TYPICAL REVERSE CHARACTERISTICS

