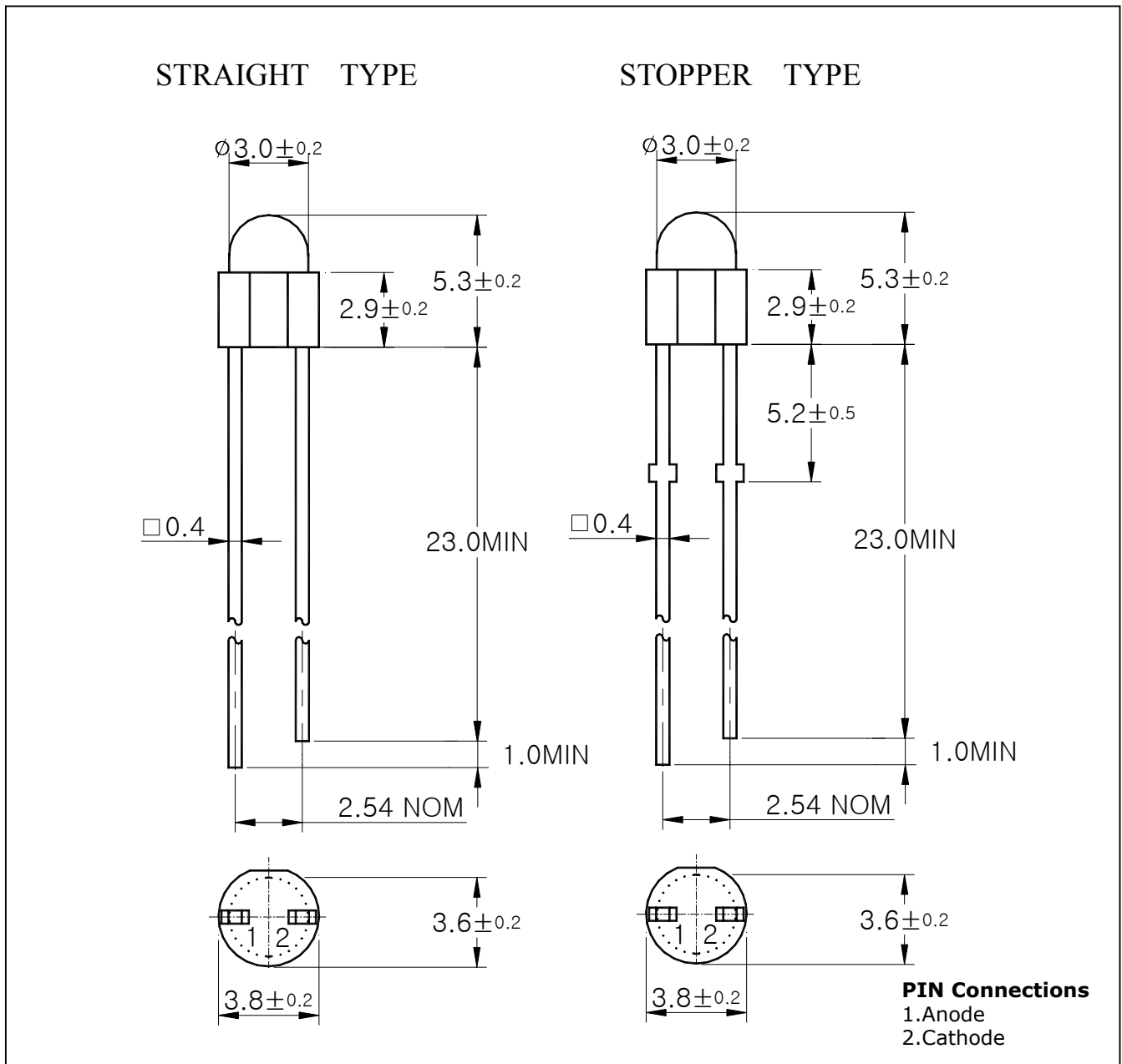


Features

- Red colored diffusion lens type
- $\phi 3\text{mm}$ (T-1) all plastic mold type
- Low power consumption

Outline Dimensions

unit : mm

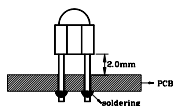


Absolute maximum ratings

Characteristic	Symbol	Ratings	Unit
Power Dissipation	P_D	23	mW
Forward Current	I_F	10	mA
*1Peak Forward Current	I_{FP}	50	mA
Reverse Voltage	V_R	4	V
Operating Temperature	T_{opr}	-25 ~ 85	°C
Storage Temperature	T_{stg}	-30 ~ 100	°C
*2Soldering Temperature	T_{sol}	260°C for 5 seconds	

*1.Duty ratio = 1/16, Pulse width = 0.1ms

*2.Keep the distance 2.0mm from PCB to the bottom of LED



Electrical Characteristics

Characteristic	Symbol	Test Condition	Min.	Typ.	Max.	Unit
Forward Voltage	V_F	$I_F = 5mA$	-	1.9	2.5	V
*3Luminous Intensity	I_V	$I_F = 5mA$	1.6	4.1	6.6	mcd
Peak Wavelength	λ_P	$I_F = 5mA$	-	700	-	nm
Spectrum Bandwidth	$\Delta\lambda$	$I_F = 5mA$	-	100	-	nm
Reverse Current	I_R	$V_R = 4V$	-	-	10	uA
*4Half angle	$\theta_{1/2}$	$I_F = 5mA$	-	±25	-	deg

*3. Luminous Intensity Maximum tolerance for each Grade Classification limit is ±18%

*3. Luminous Intensity classification

C	D	E
1.6~6.6	2.6~4.1	4.1~6.6

*4. $\theta_{1/2}$ is the off-axis angle where the luminous intensity is 1/2 the peak intensity

Characteristic Diagrams

Fig. 1 $I_F - V_F$

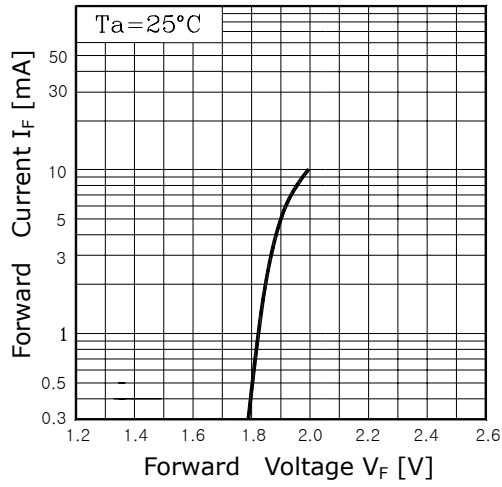


Fig. 2 $I_V - I_F$

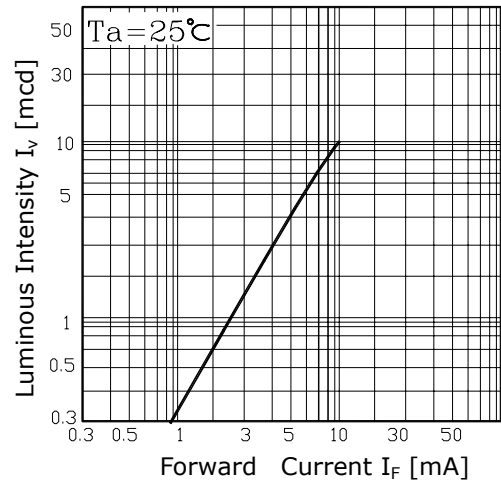


Fig. 3 $I_F - T_a$

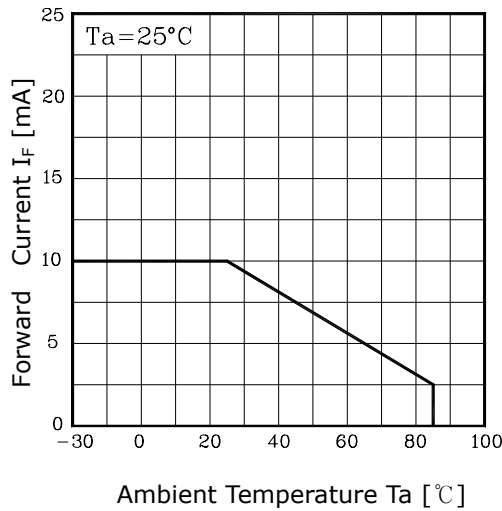


Fig. 4 Spectrum Distribution

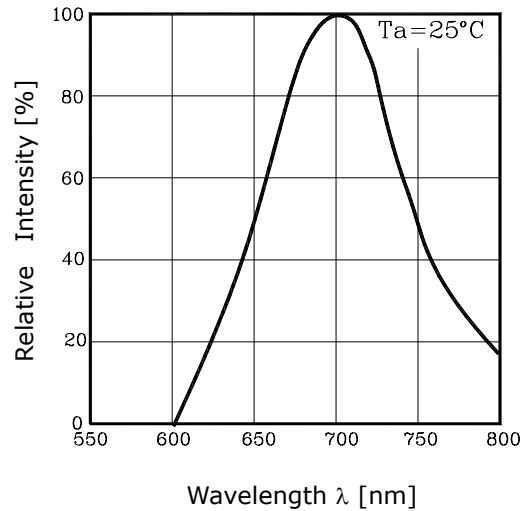


Fig. 5 Radiation Diagram

