

SR802~SR8010

SCHOTTKY BARRIER RECTIFIERS

VOLTAGE 20 to 100 Volt **CURRENT** 8 Amper

DO-201AD

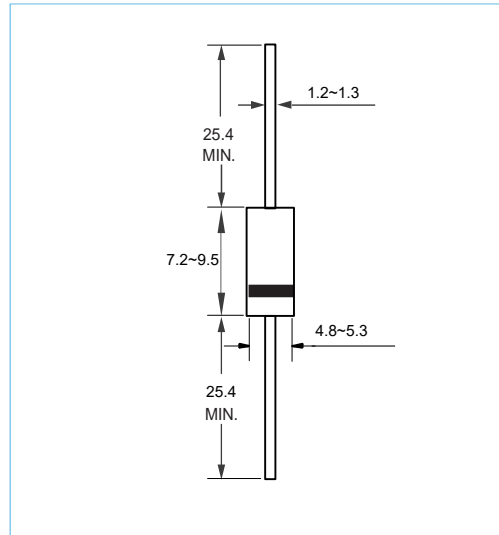
Unit:mm

FEATURES

- Low Forward Drop
- High Surge Current Capacity
- Guard Ring for Transient Protection
- Low Power Loss, High Efficiency
- Lead free in compliance with EU RoHS

MECHANICAL DATA

- Case Material: Molded Plastic.
- UL Flammability Classification Rating 94V-0



MAXIMUM RATINGS AND ELECTRICAL CHARACTERISTICS

Ratings at 25°C ambient temperature unless otherwise specified. Resistive or inductive load.

PARAMETER	SYMBOL	SR802	SR803	SR804	SR805	SR805	SR808	SR8010	UNITS
Maximum Recurrent Peak Reverse Voltage	V_{RRM}	20	30	40	60	60	80	100	V
Maximum RMS Voltage	V_{RMS}	14	21	28	42	42	56	70	V
Maximum DC Blocking Voltage	V_{DC}	20	30	40	60	60	80	100	V
Maximum Average Forward Current (See Figure 1)	$I_{F(AV)}$	8							A
Peak Forward Surge Current : 8.3ms single half sine-wave superimposed on rated load	I_{FSM}	15.0							A
Maximum Forward Voltage at 8.0 A	V_F	0.65			0.70		0.85		V
Maximum DC Reverse Current at Rated DC Blocking Voltage	I_R	0.50							mA
Thermal Resistance (Note2)	$R_{\theta JA}$	30							°C / W
Typical Junction Capacitance (Note1)	C_J	200							pF
Operating Junction Temperature Range	T_J	-55 to +150							°C
Storage Temperature Range	T_{STG}	-55 to +150							°C

NOTES:

1. Measured at 1.0MHz and applied reverse voltage of 4.0 volt
2. Thermal Resistance from Junction to Ambient Vertical PC Board Mounting, 1.27mm Lead Length.

SR802~SR8010

RATING AND CHARACTERISTIC CURVES

FIG.1 - FORWARD CURRENT DERATING CURVE

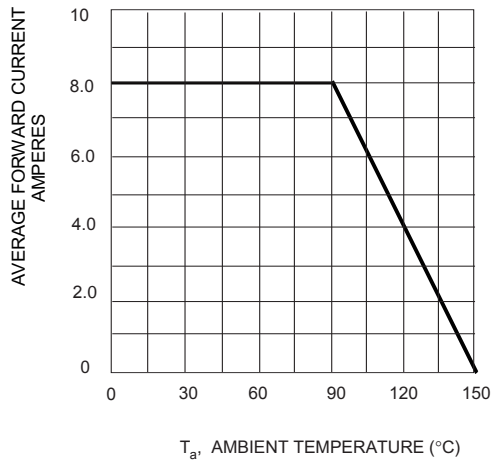


FIG.2 - MAXIMUM NON-REPETITIVE SURGE CURRENT

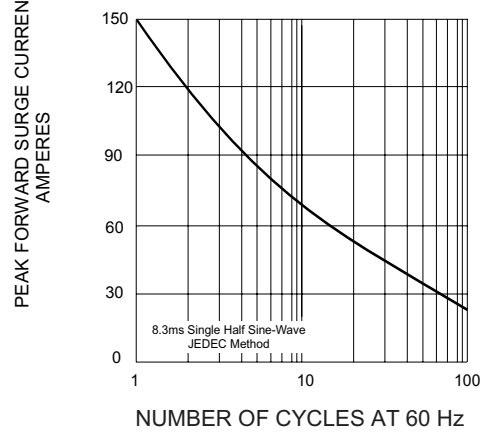


FIG.3 - TYPICAL FORWARD CHARACTERISTICS

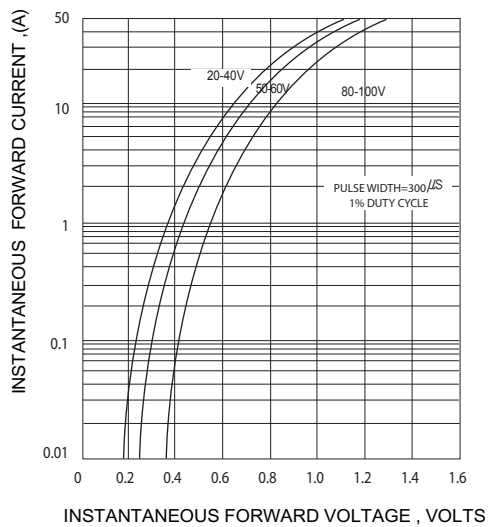
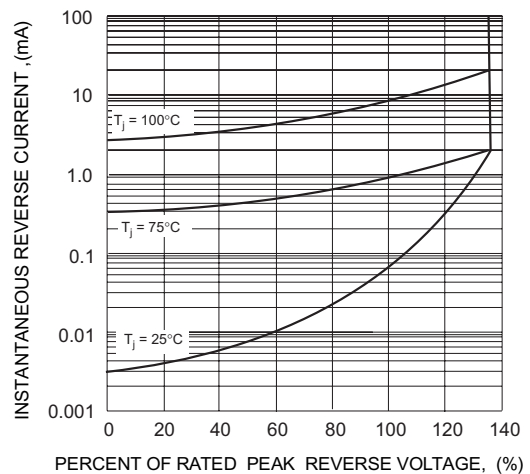


FIG.4 - TYPICAL REVERSE CHARACTERISTICS



SR802~SR8010

ORDER INFORMATION

- Packing information

Part Number	Case	Reel Size	QUANTITY
SR802~SR8010	DO-201AD	13 Inch	1200