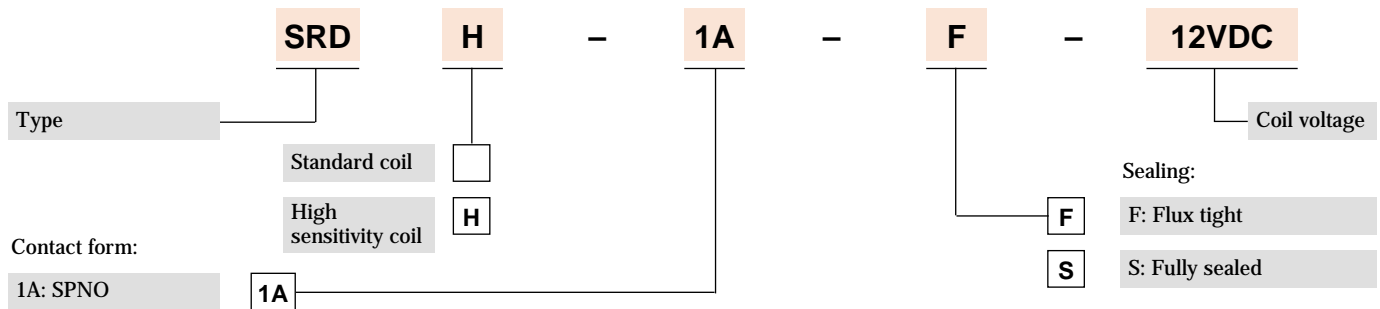


- Class B insulation approved as standard
- Flux tight or fully sealed versions available
- TV-5 rating
- UL/CSA/TUV recognised



## Options and ordering codes



## Contact rating

Type	SRD	SRDH
Contact form	1A (SPNO)	
Maximum switching power	1920VA (2400VA)* / 240W (300W)*	1920VA / 240W
Maximum switching voltage	250VAC / 30VDC	
Maximum switching/carry current	10A	8A
TV rating	TV-5	-

UL, CSA and TUV safety approval ratings available on request.

\*Ratings for 30k ops

## Specifications

<b>Contact material</b>		Ag SnInO
<b>Initial contact resistance</b>		100mΩ Max
<b>Operate time</b>		10ms Max. (at rated voltage)
<b>Release time</b>		Standard 5ms Max. (at rated voltage), High sensitivity 7ms
<b>Nominal operating power</b>		Standard approx. 450mW, High sensitivity approx. 200mW
<b>Insulation resistance</b>		100MΩ at 500VDC
<b>Breakdown voltage</b>	<b>Between coil and contacts</b>	2500VAC (for 1 minute)
	<b>Between open contacts</b>	Standard 1000VAC (for 1 minute), High sensitivity 750VAC (for 1 minute)
<b>Vibration resistance</b>	<b>Operating extremes</b>	10~50Hz, amplitude 1.0mm
	<b>Damage limits</b>	10~50Hz, amplitude 1.0mm
<b>Shock resistance</b>	<b>Operating extremes</b>	10G
	<b>Damage limits</b>	100G
<b>Ambient temperature</b>		Standard -30~+60°C, High sensitivity -30~+80°C
<b>Life expectancy</b>	<b>Mechanical</b>	10 x 10 <sup>6</sup> operations (frequency 18,000 operations/hour)
	<b>Electrical (at max load)</b>	1 x 10 <sup>5</sup> operations (frequency 1,200 operations/hour)
<b>Weight</b>		6g

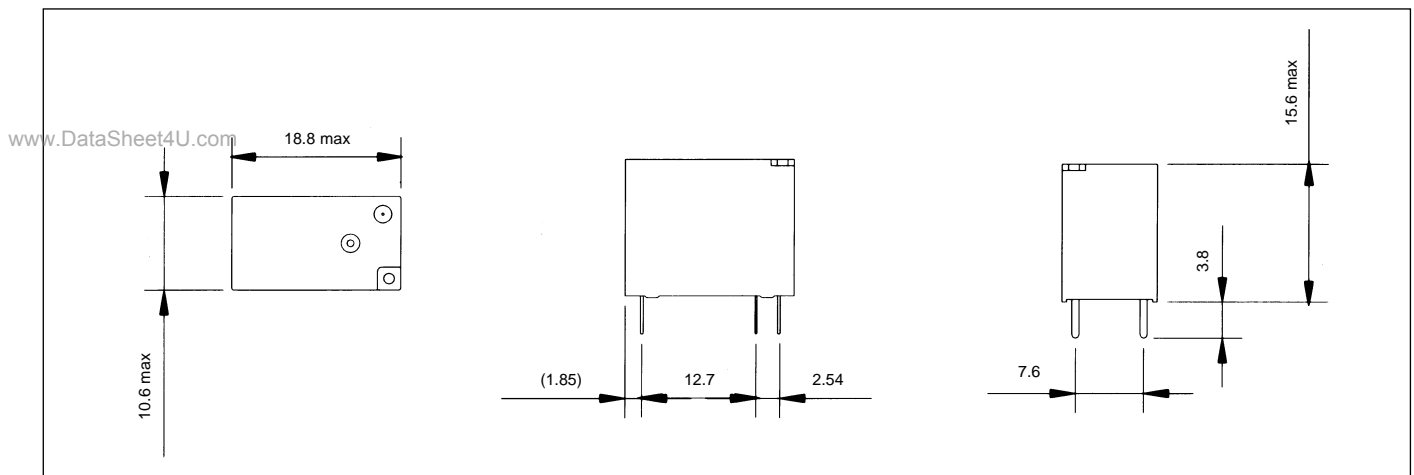
## Coil specification

Rated voltage	Rated Current $\pm$ 10% at 25°C (mA)	Coil Resistance $\pm$ 10% at 25°C ( $\Omega$ )	Max. continuous voltage at 25°C	Pick up voltage (Max) at 25°C	Drop out voltage (Min) at 25°C	Power consumption at rated load
3	150	20	130% of rated voltage	75% of rated voltage	5% of rated voltage	Approx. 450mW
5	90.9	55				
6	75	80				
9	50	180				
12	37.5	320				
18	25	720				
24	18.8	1280				

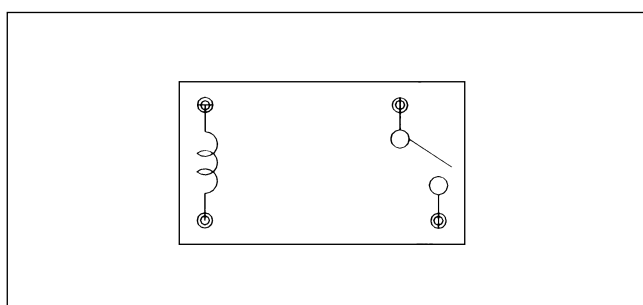
## Coil specification SRDH high sensitivity coil

Rated voltage	Rated Current $\pm$ 10% at 25°C (mA)	Coil Resistance $\pm$ 10% at 25°C ( $\Omega$ )	Max. continuous voltage at 25°C	Pick up voltage (Max) at 25°C	Drop out voltage (Min) at 25°C	Power consumption at rated load
3	66.7	45	130% of rated voltage	75% of rated voltage	5% of rated voltage	Approx. 200mW
5	40.0	125				
6	33.3	180				
9	22.2	405				
12	16.7	720				
18	11.1	1620				
24	8.3	2880				

## Dimensions mm



## Wiring diagram



## PCB layout

