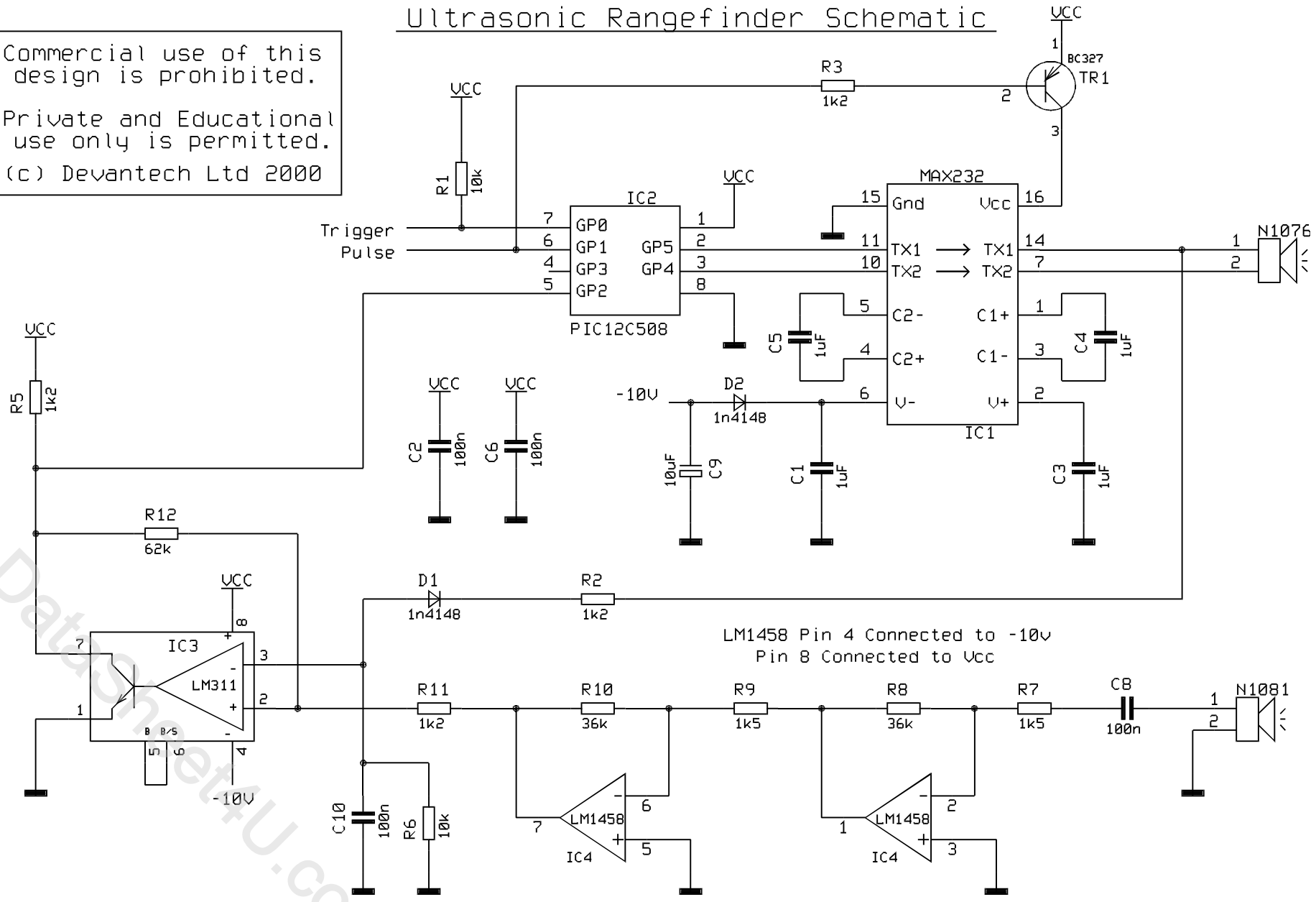


Ultrasonic Rangefinder Schematic

Commercial use of this design is prohibited.
 Private and Educational use only is permitted.
 (c) Devantech Ltd 2000



LM1458 Pin 4 Connected to -10V
 Pin 8 Connected to Ucc