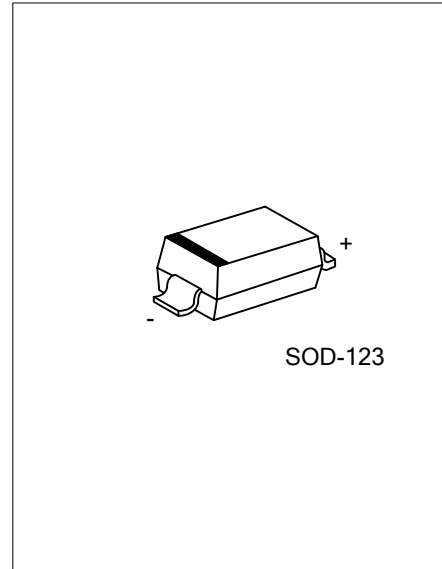




SS0540Y

SCHOTTKY BRIDGE

500mA SURFACE MOUNT SCHOTTKY BRIDGE RECTIFIER



DESCRIPTION

The UTC **SS0540Y** is a schottky bridge rectifiers, it uses UTC's advanced technology to provide customers with high surge current capability, etc.

The UTC **SS0540Y** is suitable for General purpose use in ac-to-dc bridge full wave rectification for LED bulb and telecommunication.

FEATURES

- * High surge current capability
- * Low turn-on voltage
- * Fast switching
- * Pn junction guard ring for transient and ESD protection

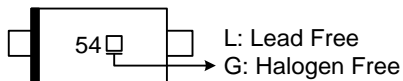
ORDERING INFORMATION

Ordering Number		Package	Pin Assignment		Packing
Lead Free	Halogen Free		1	2	
SS0540YL-CA2-R	SS0540YG-CA2-R	SOD-123	A	K	Tape Reel

Note: Pin assignment: A: Anode K: Cathode

<p>SS0540YG-CA2-R</p>	<p>(1) R: Tape Reel (2) CA2: SOD-123 (3) G: Halogen Free and Lead Free, L: Lead Free</p>
-----------------------	--

MARKING



■ **ABSOLUTE MAXIMUM RATINGS** ($T_A=25^\circ\text{C}$, unless otherwise noted)

PARAMETER	SYMBOL	RATINGS	UNIT
Repetitive Peak Reverse Voltage	V_{RRM}	40	V
RMS Voltage	V_{RMS}	28	V
DC Blocking Voltage	V_{DC}	40	V
Average Forward Rectified Current ($T_A=75^\circ\text{C}$)	$I_{F(AV)}$	0.5	A
Peak Forward Surge Current, 8.3ms Single Half Sine-Wave Superimposed on Rated Load	I_{FSM}	5.5	A
Operating Junction Temperature Range	T_J	-55 ~ +125	$^\circ\text{C}$
Storage Temperature Range	T_{STG}	-55 ~ +150	$^\circ\text{C}$

Note: Absolute maximum ratings are those values beyond which the device could be permanently damaged. Absolute maximum ratings are stress ratings only and functional device operation is not implied.

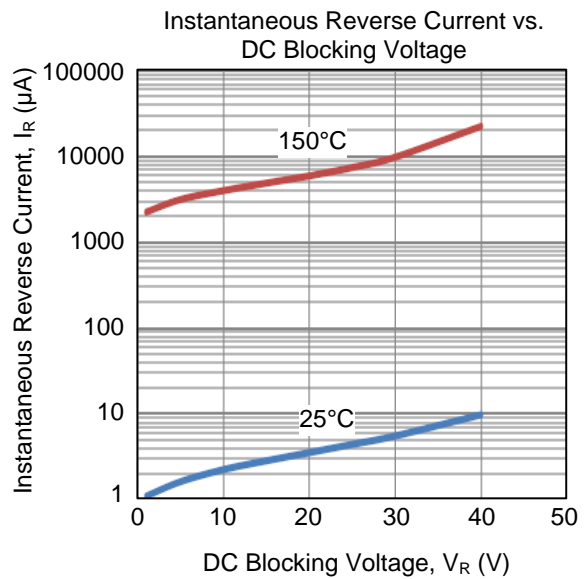
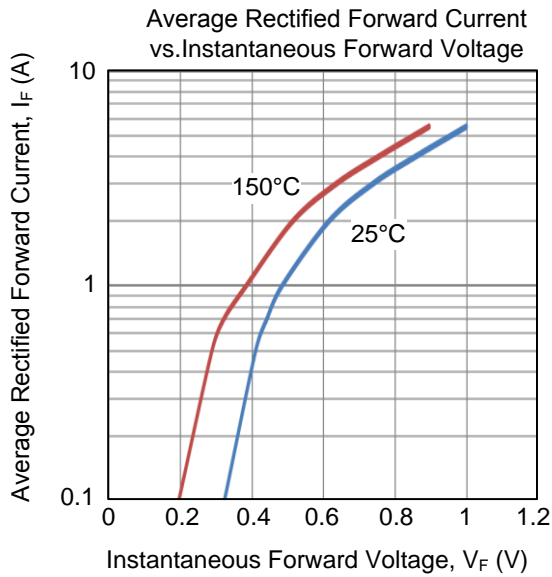
■ **THERMAL DATA**

PARAMETER	SYMBOL	RATINGS	UNIT
Junction to Ambient	θ_{JA}	244	$^\circ\text{C}/\text{W}$

■ **ELECTRICAL CHARACTERISTICS** ($T_A=25^\circ\text{C}$ unless otherwise noted)

PARAMETER	SYMBOL	TEST CONDITIONS	MIN	TYP	MAX	UNIT
Instantaneous Forward Voltage (Note 1)	V_F	$I_F=0.5\text{A}$			0.51	V
		$I_F=1.0\text{A}$			0.62	V
DC Reverse Current at Rated DC Blocking Voltage (Note 2)	I_R	$V_R=20\text{V}, T_J=25^\circ\text{C}$			10	μA
		$V_R=40\text{V}, T_J=100^\circ\text{C}$			20	μA
Junction Capacitance	C_J	$V_R=1.0\text{V}, f=1.0\text{MHz}$		78		pF

■ TYPICAL CHARACTERISTICS



UTC assumes no responsibility for equipment failures that result from using products at values that exceed, even momentarily, rated values (such as maximum ratings, operating condition ranges, or other parameters) listed in products specifications of any and all UTC products described or contained herein. UTC products are not designed for use in life support appliances, devices or systems where malfunction of these products can be reasonably expected to result in personal injury. Reproduction in whole or in part is prohibited without the prior written consent of the copyright owner. UTC reserves the right to make changes to information published in this document, including without limitation specifications and product descriptions, at any time and without notice. This document supersedes and replaces all information supplied prior to the publication hereof.