

# General Accessories

## Transformers

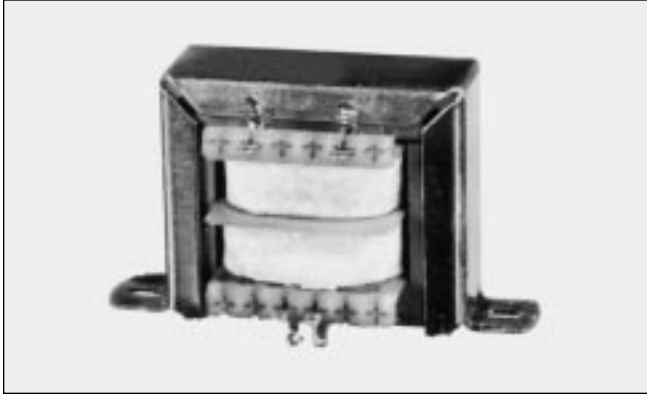
### Type ST



#### Transformer type ST 012

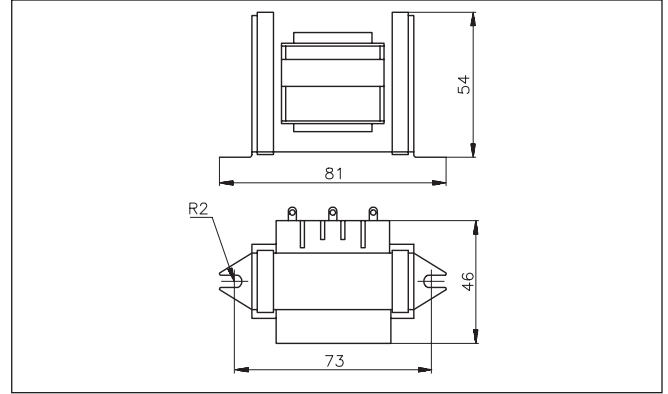
Where equipment needs a power supply differing from that of the mains, a transformer can be used to give a suitable alternating voltage.

#### ST 012



**Primary circuit**  
**Secondary circuit**

220 or 380 VAC.  
24 VAC, 0.5 A



#### Transformer types ST 024, ST 050, ST 100

ST 024  
ST 050  
ST 100



**Primary circuit**  
**Secondary circuit**

220 or 380 VAC.  
ST 024 24 VAC, 1 A  
ST 050 24 VAC, 2 A  
ST 100 24 VAC, 4 A

