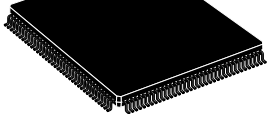




16-bit MCU with 512 Kbyte Flash memory and 36 Kbyte RAM

Datasheet – production data

Features

- High performance 16-bit CPU with DSP functions
 - 50ns instruction cycle time at 40 MHz max CPU clock
 - Multiply/accumulate unit (MAC) 16 x 16-bit multiplication, 40-bit accumulator
 - Enhanced boolean bit manipulations
 - Single-cycle context switching support
 - Memory organization
 - 512 Kbyte on-chip Flash memory single voltage with erase/program controller (full performance, 32-bit fetch)
 - 100 K erasing/programming cycles
 - Up to 16 Mbyte linear address space for code and data (5 Mbytes with CAN or I²C)
 - 2 Kbyte on-chip internal RAM (IRAM)
 - 34 Kbyte on-chip extension RAM (XRAM)
 - Programmable external bus configuration and characteristics for different address ranges
 - 5 programmable chip-select signals
 - Hold-acknowledge bus arbitration support
 - Interrupt
 - 8-channel peripheral event controller for single cycle interrupt driven data transfer
 - 16-priority-level interrupt system with 56 sources, sampling rate down to 25ns
 - Timers
 - 2 multifunctional general purpose timer units with 5 timers
 - Two 16-channel capture / compare units
 - 4-channel PWM unit + 4-channel XPWM
- 

PQFP144 (28 x 28 x 3.4mm)
(Plastic Quad Flat Package) LQFP144 (20 x 20 x 1.4mm)
(Low Profile Quad Flat Package)
- 24-channel A/D converter
 - 16-channel 10-bit, accuracy +/-2 LSB
 - 8-channel 10-bit, accuracy +/-5 LSB
 - 4.85µs Minimum conversion time
 - Serial channels
 - 2 synch. / asynch. serial channels
 - 2 high-speed synchronous channels
 - I²C standard interface
 - 2 CAN 2.0B interfaces operating on 1 or 2 CAN buses (64 or 2x32 messages, C-CAN version)
 - Fail-safe protection
 - Programmable watchdog timer
 - Oscillator watchdog
 - On-chip bootstrap loader
 - Clock generation
 - On-chip PLL and 4 to 12 MHz oscillator
 - Direct or prescaled clock input
 - Real time clock and 32 kHz on-chip oscillator
 - Up to 111 general purpose I/O lines
 - Individually programmable as input, output or special function
 - Programmable threshold (hysteresis)
 - Idle, power down and standby modes
 - Single voltage supply: 5 V ±10% (embedded regulator for 1.8 V core supply)
 - Temperature range: -40°C to 125°C

Contents

| | | |
|----------|---|-----------|
| 1 | Introduction | 11 |
| 1.1 | Description | 11 |
| 1.2 | Special characteristics | 11 |
| 1.2.1 | X-Peripheral clock gating | 11 |
| 1.2.2 | Improved supply ring | 11 |
| 2 | Pin data | 13 |
| 3 | Functional description | 20 |
| 4 | Memory organization | 21 |
| 5 | Internal Flash memory | 27 |
| 5.1 | Overview | 27 |
| 5.2 | Functional description | 27 |
| 5.2.1 | Structure | 27 |
| 5.2.2 | Module structure | 27 |
| 5.2.3 | Low power mode | 30 |
| 5.3 | Write operation | 30 |
| 5.4 | Flash control registers description | 31 |
| 5.4.1 | Flash control register 0 low (FCR0L) | 31 |
| 5.4.2 | Flash control register 0 high (FCR0H) | 33 |
| 5.4.3 | Flash control register 1 low (FCR1L) | 35 |
| 5.4.4 | Flash control register 1 high (FCR1H) | 36 |
| 5.4.5 | Flash data register 0 low (FDR0L) | 37 |
| 5.4.6 | Flash data register 0 high (FDR0H) | 37 |
| 5.4.7 | Flash data register 1 low (FDR1L) | 38 |
| 5.4.8 | Flash data register 1 high (FDR1H) | 38 |
| 5.4.9 | Flash address register low (FARL) | 38 |
| 5.4.10 | Flash address register high (FARH) | 39 |
| 5.4.11 | Flash error register (FER) | 39 |
| 5.4.12 | XFlash interface control dummy register (XFICR) | 40 |
| 5.5 | Protection strategy | 40 |
| 5.5.1 | Protection registers | 41 |

| | | |
|-----------|---|-----------|
| 5.5.2 | Flash non-volatile write protection I register low (FNVWPIRL) | 41 |
| 5.5.3 | Flash non-volatile write protection I register high (FNVWPIRH) | 42 |
| 5.5.4 | Flash non-volatile write protection I register low Mirror (FNVWPIRL-m) | 42 |
| 5.5.5 | Flash non-volatile write protection I register high Mirror (FNVWPIRH-m) | 42 |
| 5.5.6 | Flash non-volatile access protection register 0 (FNVAPR0) | 43 |
| 5.5.7 | Flash non-volatile access protection register 1 low (FNVAPR1L) | 43 |
| 5.5.8 | Flash non-volatile access protection register 1 high (FNVAPR1H) | 44 |
| 5.5.9 | Access protection | 44 |
| 5.5.10 | Write protection | 45 |
| 5.5.11 | Temporary unprotection | 45 |
| 5.6 | Write operation examples | 45 |
| 5.7 | Write operation summary | 48 |
| 6 | Bootstrap loader | 49 |
| 6.1 | Selection among user-code, standard or selective bootstrap | 49 |
| 6.2 | Standard bootstrap loader | 49 |
| 6.3 | Alternate and selective boot mode (ABM and SBM) | 50 |
| 6.3.1 | Activation of the ABM and SBM | 50 |
| 6.3.2 | User mode signature integrity check | 50 |
| 6.3.3 | Selective boot mode | 50 |
| 7 | Central processing unit (CPU) | 51 |
| 7.1 | Multiplier-accumulator unit (MAC) | 52 |
| 7.2 | Instruction set summary | 53 |
| 7.3 | MAC co-processor specific instructions | 55 |
| 8 | External bus controller | 56 |
| 9 | Interrupt system | 57 |
| 9.1 | X-Peripheral interrupt | 59 |
| 9.2 | Exception and error traps list | 61 |
| 10 | Capture / compare (CAPCOM) units | 62 |
| 11 | General purpose timer unit | 64 |
| 11.1 | GPT1 | 64 |

| | | |
|-----------|--|-----------|
| 11.2 | GPT2 | 66 |
| 12 | PWM modules | 68 |
| 13 | Parallel ports | 69 |
| 13.1 | Introduction | 69 |
| 13.2 | I/O's special features | 69 |
| 13.2.1 | Open drain mode | 69 |
| 13.2.2 | Input threshold control | 70 |
| 13.3 | Alternate port functions | 70 |
| 14 | A/D converter | 72 |
| 15 | Serial channels | 74 |
| 15.1 | Asynchronous / synchronous serial interfaces | 74 |
| 15.2 | ASCx in asynchronous mode | 74 |
| 15.3 | ASCx in synchronous mode | 75 |
| 15.4 | High speed synchronous serial interfaces | 75 |
| 16 | I2C interface | 77 |
| 17 | CAN modules | 78 |
| 17.1 | Configuration support | 78 |
| 17.2 | CAN bus configurations | 78 |
| 17.2.1 | Single CAN bus | 79 |
| 17.2.2 | Multiple CAN bus | 80 |
| 17.2.3 | Parallel mode | 80 |
| 18 | Real time clock | 81 |
| 19 | Watchdog timer | 82 |
| 20 | System reset | 83 |
| 20.1 | Input filter | 83 |
| 20.2 | Asynchronous reset | 84 |
| 20.3 | Synchronous reset (warm reset) | 89 |

| | | |
|-----------|--|------------|
| 20.4 | Software reset | 95 |
| 20.5 | Watchdog timer reset | 96 |
| 20.6 | Bidirectional reset | 97 |
| 20.7 | Reset circuitry | 101 |
| 20.8 | Reset application examples | 104 |
| 20.9 | Reset summary | 106 |
| 21 | Power reduction modes | 109 |
| 21.1 | Idle mode | 109 |
| 21.2 | Power-down mode | 109 |
| 21.2.1 | Protected power-down mode | 110 |
| 21.2.2 | Interruptible power-down mode | 110 |
| 21.3 | Standby mode | 110 |
| 21.3.1 | Entering standby mode | 111 |
| 21.3.2 | Exiting standby mode | 112 |
| 21.3.3 | Real time clock and standby mode | 112 |
| 21.3.4 | Power reduction modes summary | 112 |
| 22 | Programmable output clock divider | 114 |
| 23 | Register set | 115 |
| 23.1 | Special function registers | 115 |
| 23.2 | X-registers | 123 |
| 23.3 | Flash registers ordered by name | 128 |
| 23.4 | Identification registers | 128 |
| 24 | Electrical characteristics | 131 |
| 24.1 | Absolute maximum ratings | 131 |
| 24.2 | Recommended operating conditions | 132 |
| 24.3 | Power considerations | 132 |
| 24.4 | Parameter interpretation | 133 |
| 24.5 | DC characteristics | 134 |
| 24.6 | Flash characteristics | 138 |
| 24.7 | A/D converter characteristics | 139 |
| 24.7.1 | Conversion timing control | 140 |

| | | |
|-------------|--|------------|
| 24.7.2 | A/D conversion accuracy | 141 |
| 24.7.3 | Total unadjusted error | 142 |
| 24.7.4 | Analog reference pins | 143 |
| 24.8 | AC characteristics | 149 |
| 24.8.1 | Test waveforms | 149 |
| 24.8.2 | Definition of internal timing | 150 |
| 24.8.3 | Clock generation modes | 151 |
| 24.8.4 | Prescaler operation | 151 |
| 24.8.5 | Direct drive | 151 |
| 24.8.6 | Oscillator watchdog (OWD) | 152 |
| 24.8.7 | Phase locked loop (PLL) | 152 |
| 24.8.8 | Voltage controlled oscillator | 153 |
| 24.8.9 | PLL jitter | 154 |
| 24.8.10 | PLL lock / unlock | 156 |
| 24.8.11 | Main oscillator specifications | 157 |
| 24.8.12 | 32 kHz oscillator specifications | 158 |
| 24.8.13 | External clock drive XTAL1 | 159 |
| 24.8.14 | Memory cycle variables | 160 |
| 24.8.15 | External memory bus timing | 160 |
| 24.8.16 | Multiplexed bus | 160 |
| 24.8.17 | Demultiplexed bus | 167 |
| 24.8.18 | CLKOUT and READY | 173 |
| 24.8.19 | External bus arbitration | 174 |
| 24.8.20 | High-speed synchronous serial interface (SSC) timing | 177 |
| 25 | Package information | 180 |
| 25.1 | ECOPACK® | 180 |
| 25.2 | PQFP144 mechanical data | 180 |
| 25.3 | LQFP144 mechanical data | 182 |
| 26 | Ordering information | 184 |
| 27 | Revision history | 185 |

List of tables

| | | |
|-----------|---|-----|
| Table 1. | Pin description | 14 |
| Table 2. | Summary of IFlash address range | 21 |
| Table 3. | Flash module address space | 27 |
| Table 4. | Flash module sectorization (read operations). | 28 |
| Table 5. | Flash module sectorization (write operations, or ROMS1 = '1') | 29 |
| Table 6. | Flash control registers summary. | 30 |
| Table 7. | FCR0L register description | 31 |
| Table 8. | FCR0H register description | 33 |
| Table 9. | FCR1L register description | 35 |
| Table 10. | FCR1H register description | 36 |
| Table 11. | Bank (BxS) and sectors (BxFy) status bits meaning. | 36 |
| Table 12. | FDR0L register description | 37 |
| Table 13. | FDR0H register description | 37 |
| Table 14. | FDR1L register description | 38 |
| Table 15. | FDR1H register description | 38 |
| Table 16. | FARL register description | 38 |
| Table 17. | FARH register description. | 39 |
| Table 18. | FER register bits | 39 |
| Table 19. | XFlash interface control register | 40 |
| Table 20. | FNVWPIRL register bits | 41 |
| Table 21. | FNVWPRIH register bits | 42 |
| Table 22. | FNVAPR0 register bits | 43 |
| Table 23. | FNVAPR1L register bits | 43 |
| Table 24. | FNVAPR1H register bits | 44 |
| Table 25. | Summary of access protection level | 44 |
| Table 26. | Flash write operations. | 48 |
| Table 27. | ST10F273M boot mode selection | 49 |
| Table 28. | Standard instruction set summary | 53 |
| Table 29. | MAC instruction set summary | 55 |
| Table 30. | Interrupt sources | 57 |
| Table 31. | X-Interrupt detailed mapping | 60 |
| Table 32. | Trap priorities | 61 |
| Table 33. | Compare modes | 62 |
| Table 34. | CAPCOM timer input frequencies, resolutions and periods at 40 MHz | 63 |
| Table 35. | GPT1 timer input frequencies, resolutions and periods at 40 MHz. | 64 |
| Table 36. | GPT2 timer input frequencies, resolutions and periods at 40 MHz. | 66 |
| Table 37. | PWM unit frequencies and resolutions at 40 MHz CPU clock | 68 |
| Table 38. | ASC asynchronous baudrates by reload value and deviation errors | 74 |
| Table 39. | ASC synchronous baudrates by reload value and deviation errors | 75 |
| Table 40. | SSC synchronous baudrate and reload values | 76 |
| Table 41. | WDTREL reload value | 82 |
| Table 42. | Reset event definition | 83 |
| Table 43. | Reset event. | 106 |
| Table 44. | PORT0 latched configuration for the different reset events | 107 |
| Table 45. | Power reduction modes summary | 113 |
| Table 46. | List of special function registers | 115 |
| Table 47. | List of XBus registers | 123 |
| Table 48. | List of Flash control registers | 128 |

| | | |
|-----------|--|-----|
| Table 49. | IDMANUF register description | 129 |
| Table 50. | IDCHIP register description | 129 |
| Table 51. | IDMEM register description | 129 |
| Table 52. | IDPROG register description | 130 |
| Table 53. | Absolute maximum ratings | 131 |
| Table 54. | Recommended operating conditions | 132 |
| Table 55. | Thermal characteristics | 133 |
| Table 56. | Package characteristics | 133 |
| Table 57. | DC characteristics | 134 |
| Table 58. | Flash characteristics | 138 |
| Table 59. | Flash data retention characteristics | 139 |
| Table 60. | A/D converter characteristics | 139 |
| Table 61. | A/D converter programming | 141 |
| Table 62. | On-chip clock generator selections | 151 |
| Table 63. | Internal PLL divider mechanism | 153 |
| Table 64. | PLL characteristics ($V_{DD} = 5V \pm 10\%$, $V_{SS} = 0V$, $T_A = -40^{\circ}C$ to $+125^{\circ}C$) | 157 |
| Table 65. | Main oscillator characteristics | 157 |
| Table 66. | Main oscillator negative resistance (module) | 158 |
| Table 67. | 32 kHz oscillator characteristics | 158 |
| Table 68. | Minimum values of negative resistance (module) for 32 kHz oscillator | 159 |
| Table 69. | External clock drive XTAL1 timing | 159 |
| Table 70. | Memory cycle variables | 160 |
| Table 71. | Multiplexed bus timings | 160 |
| Table 72. | Demultiplexed bus timings | 167 |
| Table 73. | CLKOUT and \overline{READY} timings | 173 |
| Table 74. | External bus arbitration timings | 174 |
| Table 75. | SSC master mode timings | 177 |
| Table 76. | SSC slave mode timings | 178 |
| Table 77. | PQFP144 mechanical data | 180 |
| Table 78. | LQFP144 mechanical data | 182 |
| Table 79. | Order codes | 184 |
| Table 80. | Document revision history | 185 |

List of figures

| | | |
|------------|---|-----|
| Figure 1. | ST10F273M logic symbol | 12 |
| Figure 2. | Pin configuration (top view) | 13 |
| Figure 3. | Block diagram | 20 |
| Figure 4. | ST10F273M memory mapping (XADRS3 = 800Bh - reset value) | 25 |
| Figure 5. | ST10F273M memory mapping (XADRS3 = E009h - user programmed value) | 26 |
| Figure 6. | Flash structure | 27 |
| Figure 7. | Write operation control flow | 48 |
| Figure 8. | CPU block diagram (MAC unit not included) | 51 |
| Figure 9. | MAC unit architecture | 52 |
| Figure 10. | X-Interrupt basic structure | 60 |
| Figure 11. | Block diagram of GPT1 | 65 |
| Figure 12. | Block diagram of GPT2 | 67 |
| Figure 13. | Block diagram of PWM module | 68 |
| Figure 14. | Connection to single CAN bus via separate CAN transceivers | 79 |
| Figure 15. | Connection to single CAN bus via common CAN transceivers | 79 |
| Figure 16. | Connection to two different CAN buses (for example for gateway application) | 80 |
| Figure 17. | Connection to one CAN bus with internal parallel mode enabled | 80 |
| Figure 18. | Asynchronous power-on RESET (EA = 1) | 86 |
| Figure 19. | Asynchronous power-on RESET (EA = 0) | 87 |
| Figure 20. | Asynchronous hardware RESET (EA = 1) | 88 |
| Figure 21. | Asynchronous hardware RESET (EA = 0) | 89 |
| Figure 22. | Synchronous short / long hardware RESET (EA = 1) | 92 |
| Figure 23. | Synchronous short / long hardware RESET (EA = 0) | 93 |
| Figure 24. | Synchronous long hardware RESET (EA = 1) | 94 |
| Figure 25. | Synchronous long hardware RESET (EA = 0) | 95 |
| Figure 26. | SW / WDT unidirectional RESET (EA = 1) | 96 |
| Figure 27. | SW / WDT unidirectional RESET (EA = 0) | 97 |
| Figure 28. | SW / WDT bidirectional RESET (EA = 1) | 99 |
| Figure 29. | SW / WDT bidirectional RESET (EA = 0) | 100 |
| Figure 30. | SW / WDT bidirectional RESET (EA = 0) followed by a HW RESET | 101 |
| Figure 31. | Minimum external reset circuitry | 102 |
| Figure 32. | System reset circuit | 103 |
| Figure 33. | Internal (simplified) reset circuitry | 103 |
| Figure 34. | Example of software or watchdog bidirectional reset (EA = 1) | 104 |
| Figure 35. | Example of software or watchdog bidirectional reset (EA = 0) | 105 |
| Figure 36. | PORT0 bits latched into the different registers after reset | 108 |
| Figure 37. | External RC circuitry on RPD pin | 110 |
| Figure 38. | Port2 test mode structure | 137 |
| Figure 39. | Supply current versus the operating frequency (RUN and IDLE modes) | 137 |
| Figure 40. | A/D conversion characteristics | 143 |
| Figure 41. | A/D converter input pins scheme | 144 |
| Figure 42. | Charge-sharing timing diagram during sampling phase | 145 |
| Figure 43. | Anti-aliasing filter and conversion rate | 147 |
| Figure 44. | Input/output waveforms | 149 |
| Figure 45. | Float waveform | 150 |
| Figure 46. | Generation mechanisms for the CPU clock | 150 |
| Figure 47. | ST10F273M PLL jitter | 156 |
| Figure 48. | Crystal oscillator and resonator connection diagram | 157 |

| | | |
|------------|--|-----|
| Figure 49. | 32 kHz crystal oscillator connection diagram | 158 |
| Figure 50. | External clock drive XTAL1. | 160 |
| Figure 51. | External memory cycle: multiplexed bus, with/ without read/ write delay, normal ALE. . . | 163 |
| Figure 52. | External memory cycle: multiplexed bus, with/ without read/ write delay, extended ALE. | 164 |
| Figure 53. | External memory cycle: multiplexed bus, with/ without read/ write delay, normal ALE, read/ write chip select. | 165 |
| Figure 54. | External memory cycle: multiplexed bus, with/ without read/ write delay, extended ALE, read/ write chip select. | 166 |
| Figure 55. | External memory cycle: demultiplexed bus, with/ without read/ write delay, normal ALE. | 169 |
| Figure 56. | External memory cycle: demultiplexed bus, with/ without read/ write delay, extended ALE | 170 |
| Figure 57. | External memory cycle: demultiplexed bus, with/ without read/ write delay, normal ALE, read/ write chip select. | 171 |
| Figure 58. | External memory cycle: demultiplexed bus, without read/ write delay, extended ALE, read/ write chip select. | 172 |
| Figure 59. | CLKOUT and READY. | 174 |
| Figure 60. | External bus arbitration (releasing the bus) | 175 |
| Figure 61. | External bus arbitration (regaining the bus) | 176 |
| Figure 62. | SSC master timing | 178 |
| Figure 63. | SSC slave timing | 179 |
| Figure 64. | PQFP144 package dimensions | 181 |
| Figure 65. | LQFP144 package dimensions. | 183 |

1 Introduction

1.1 Description

The ST10F273M device is a new derivative of the STMicroelectronics® ST10 family of 16-bit single-chip CMOS microcontrollers.

The ST10F273M combines high CPU performance (up to 20 million instructions per second) with high peripheral functionality and enhanced I/O capabilities. It also provides on-chip high-speed single voltage Flash memory, on-chip high-speed RAM, and clock generation via PLL.

The ST10F273M is processed in 0.18mm CMOS technology. The MCU core and the logic is supplied with a 5V to 1.8V on-chip voltage regulator. The part is supplied with a single 5V supply and I/Os work at 5V.

The ST10F273M is an optimized version of the ST10F273E, upward compatible with the following set of differences:

- Maximum CPU frequency is 40 MHz
- A single bank of IFlash has been implemented but the programming interface has been kept compatible with the ST10F273E
- Identification registers: the IDMEM register reflects the Flash type difference and allows to differentiate the two devices by software
- Improved EMC behavior thanks to the introduction of an internal RC filter on the 5V for the ballast transistors
- The clock to the X-Peripherals is gated: X-Peripheral not used will not get the clock in order to reduce the power consumption.

1.2 Special characteristics

1.2.1 X-Peripheral clock gating

This new feature have been implemented on the ST10F273M: once the EINIT instruction has been executed, only the X-Peripherals enabled in the XPERCON register will be clocked.

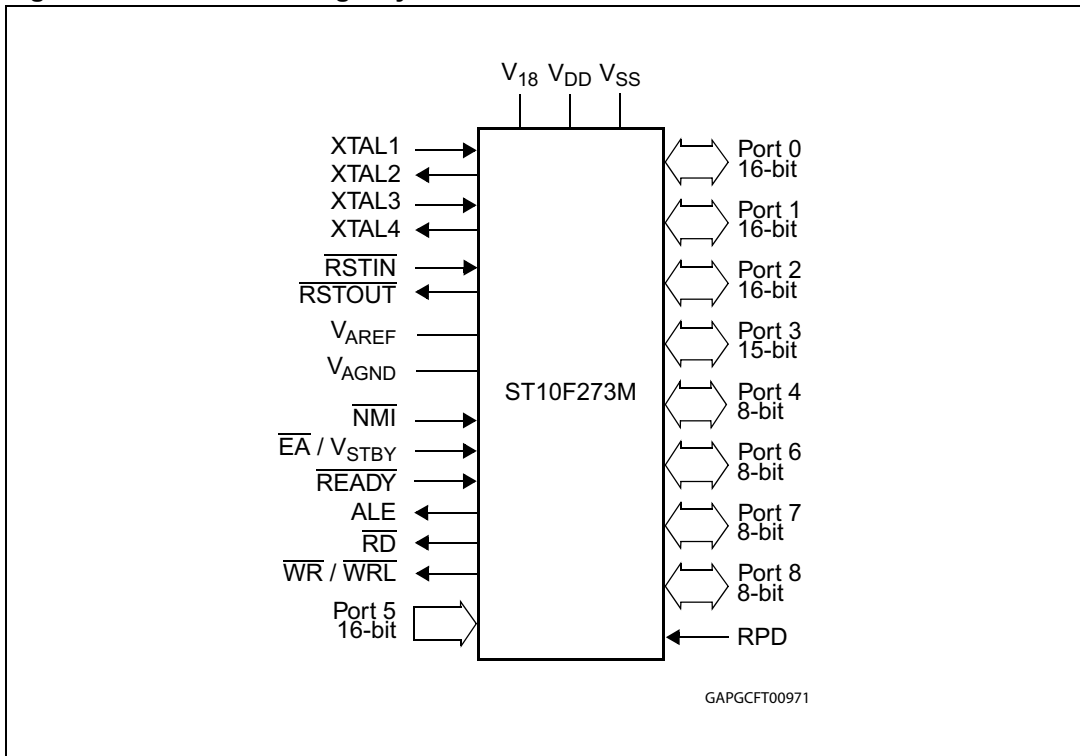
The new feature allows to reduce the power consumption and also should improve the emissions as it avoids to propagate useless clock signals across the device.

1.2.2 Improved supply ring

An RC filter has been introduced in the 5V power supply ring of the ballast transistor. In addition, the supply rings for the internal voltage regulators and the IOs have been split.

These two modifications should improve the behavior of the device regarding conducted emissions.

Figure 1. ST10F273M logic symbol



2 Pin data

Figure 2. Pin configuration (top view)

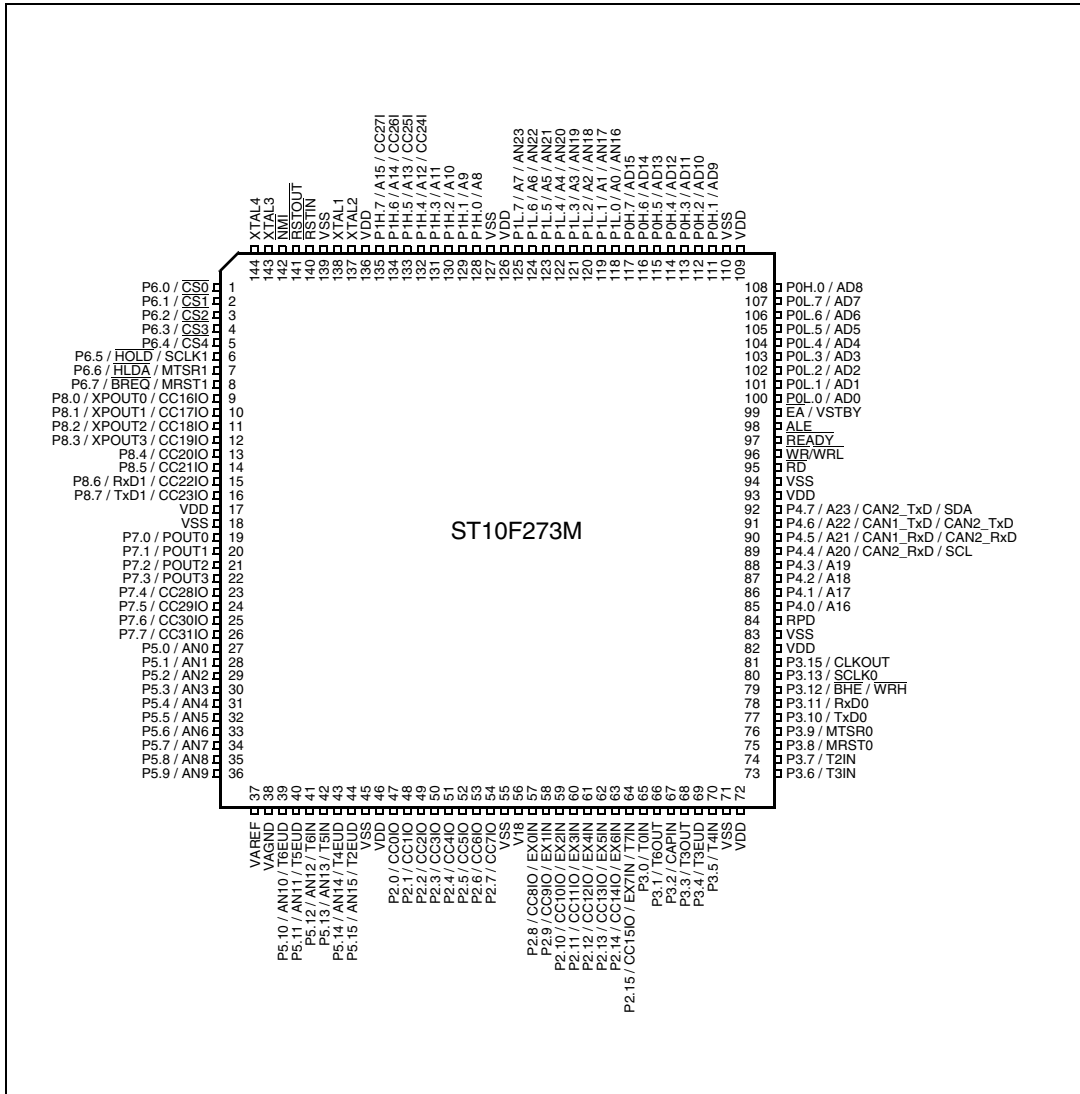


Table 1. Pin description

| Symbol | Pin | Type | Function | | |
|-------------|-------|------|--|---|--|
| P6.0 - P6.7 | 1 - 8 | I/O | 8-bit bidirectional I/O port, bit-wise programmable for input or output via direction bit. Programming an I/O pin as input forces the corresponding output driver to high impedance state. Port 6 outputs can be configured as push-pull or open drain drivers. The input threshold of Port 6 is selectable (TTL or CMOS). The following Port 6 pins have alternate functions: | | |
| | 1 | O | P6.0 | $\overline{CS0}$ | Chip select 0 output |
| | ... | ... | ... | ... | ... |
| | 5 | O | P6.4 | $\overline{CS4}$ | Chip select 4 output |
| | 6 | I | P6.5 | \overline{HOLD} | External master hold request input |
| | | I/O | | SCLK1 | SSC1: master clock output / slave clock input |
| | 7 | O | P6.6 | \overline{HLDA} | Hold acknowledge output |
| | | I/O | | MTSR1 | SSC1: master-transmitter / slave-receiver O/I |
| | 8 | O | P6.7 | \overline{BREQ} | Bus request output |
| I/O | | | MRST1 | SSC1: master-receiver / slave-transmitter I/O | |
| P8.0 - P8.7 | 9-16 | I/O | 8-bit bidirectional I/O port, bit-wise programmable for input or output via direction bit. Programming an I/O pin as input forces the corresponding output driver to high impedance state. Port 8 outputs can be configured as push-pull or open drain drivers. The input threshold of Port 8 is selectable (TTL or CMOS). The following Port 8 pins have alternate functions: | | |
| | 9 | I/O | P8.0 | CC16IO | CAPCOM2: CC16 capture input / compare output |
| | | O | | XPWM0 | PWM1: channel 0 output |
| | ... | ... | ... | ... | ... |
| | 12 | I/O | P8.3 | CC19IO | CAPCOM2: CC19 capture input / compare output |
| | | O | | XPWM0 | PWM1: channel 3 output |
| | 13 | I/O | P8.4 | CC20IO | CAPCOM2: CC20 capture input / compare output |
| | 14 | I/O | P8.5 | CC21IO | CAPCOM2: CC21 capture input / compare output |
| | 15 | I/O | P8.6 | CC22IO | CAPCOM2: CC22 capture input / compare output |
| | | I/O | | RxD1 | ASC1: Data input (Asynchronous) or I/O (Synchronous) |
| | 16 | I/O | P8.7 | CC23IO | CAPCOM2: CC23 capture input / compare output |
| | | O | | TxD1 | ASC1: Clock / Data output (Asynchronous/Synchronous) |

Table 1. Pin description (continued)

| Symbol | Pin | Type | Function | | |
|------------------------------|----------------|--------|---|--------|---|
| P7.0 - P7.7 | 19-26 | I/O | 8-bit bidirectional I/O port, bit-wise programmable for input or output via direction bit. Programming an I/O pin as input forces the corresponding output driver to high impedance state. Port 7 outputs can be configured as push-pull or open drain drivers. The input threshold of Port 7 is selectable (TTL or CMOS). The following Port 7 pins have alternate functions: | | |
| | 19 | O | P7.0 | POUT0 | PWM0: channel 0 output |
| | ... | ... | ... | ... | ... |
| | 22 | O | P7.3 | POUT3 | PWM0: channel 3 output |
| | 23 | I/O | P7.4 | CC28IO | CAPCOM2: CC28 capture input / compare output |
| | ... | ... | ... | ... | ... |
| P5.0 - P5.9 P5.10 - P5.15 | 27-36 39-44 | I I | 16-bit input-only port with Schmitt-Trigger characteristics. The pins of Port 5 can be the analog input channels (up to 16) for the A/D converter, where P5.x equals ANx (Analog input channel x), or they are timer inputs. The input threshold of Port 5 is selectable (TTL or CMOS). The following Port 5 pins have alternate functions: | | |
| | 39 | I | P5.10 | T6EUD | GPT2: timer T6 external up/down control input |
| | 40 | I | P5.11 | T5EUD | GPT2: timer T5 external up/down control input |
| | 41 | I | P5.12 | T6IN | GPT2: timer T6 count input |
| | 42 | I | P5.13 | T5IN | GPT2: timer T5 count input |
| | 43 | I | P5.14 | T4EUD | GPT1: timer T4 external up/down control input |
| P2.0 - P2.7 P2.8 - P2.15 | 47-54 57-64 | I/O | 16-bit bidirectional I/O port, bit-wise programmable for input or output via direction bit. Programming an I/O pin as input forces the corresponding output driver to high impedance state. Port 2 outputs can be configured as push-pull or open drain drivers. The input threshold of Port 2 is selectable (TTL or CMOS). The following Port 2 pins have alternate functions: | | |
| | 47 | I/O | P2.0 | CC0IO | CAPCOM: CC0 capture input/compare output |
| | ... | ... | ... | ... | ... |
| | 54 | I/O | P2.7 | CC7IO | CAPCOM: CC7 capture input/compare output |
| | 57 | I/O | P2.8 | CC8IO | CAPCOM: CC8 capture input/compare output |
| | | | | EX0IN | Fast external interrupt 0 input |
| | ... | ... | ... | ... | ... |
| | 64 | I/O | P2.15 | CC15IO | CAPCOM: CC15 capture input/compare output |
| | | | | EX7IN | Fast external interrupt 7 input |
| | | | | T7IN | CAPCOM2: timer T7 count input |

Table 1. Pin description (continued)

| Symbol | Pin | Type | Function | | |
|---------------------------------------|------------------------|-------------------|--|---|--|
| P3.0 - P3.5 P3.6 - P3.13, P3.15 | 65-70, 73-80, 81 | I/O I/O I/O | 15-bit (P3.14 is missing) bidirectional I/O port, bit-wise programmable for input or output via direction bit. Programming an I/O pin as input forces the corresponding output driver to high impedance state. Port 3 outputs can be configured as push-pull or open drain drivers. The input threshold of Port 3 is selectable (TTL or CMOS). The following Port 3 pins have alternate functions: | | |
| | 65 | I | P3.0 | T0IN | CAPCOM1: timer T0 count input |
| | 66 | O | P3.1 | T6OUT | GPT2: timer T6 toggle latch output |
| | 67 | I | P3.2 | CAPIN | GPT2: register CAPREL capture input |
| | 68 | O | P3.3 | T3OUT | GPT1: timer T3 toggle latch output |
| | 69 | I | P3.4 | T3EUD | GPT1: timer T3 external up/down control input |
| | 70 | I | P3.5 | T4IN | GPT1; timer T4 input for count/gate/reload/capture |
| | 73 | I | P3.6 | T3IN | GPT1: timer T3 count/gate input |
| | 74 | I | P3.7 | T2IN | GPT1: timer T2 input for count/gate/reload / capture |
| | 75 | I/O | P3.8 | MRST0 | SSC0: master-receiver/slave-transmitter I/O |
| | 76 | I/O | P3.9 | MTSR0 | SSC0: master-transmitter/slave-receiver O/I |
| | 77 | O | P3.10 | TxD0 | ASC0: clock / data output (asynchronous/synchronous) |
| | 78 | I/O | P3.11 | RxD0 | ASC0: data input (asynchronous) or I/O (synchronous) |
| | 79 | O | P3.12 | $\overline{\text{BHE}}$ | External memory high byte enable signal |
| | | | | $\overline{\text{WRH}}$ | External memory high byte write strobe |
| 80 | I/O | P3.13 | SCLK0 | SSC0: master clock output / slave clock input | |
| 81 | O | P3.15 | CLKOUT | System clock output (programmable divider on CPU clock) | |

Table 1. Pin description (continued)

| Symbol | Pin | Type | Function | | |
|--------------------------|-------|------|--|---|--|
| P4.0 –P4.7 | 85-92 | I/O | Port 4 is an 8-bit bidirectional I/O port. It is bit-wise programmable for input or output via direction bit. Programming an I/O pin as input forces the corresponding output driver to high impedance state. The input threshold is selectable (TTL or CMOS). Port 4.4, 4.5, 4.6 and 4.7 outputs can be configured as push-pull or open drain drivers. In case of an external bus configuration, Port 4 can be used to output the segment address lines: | | |
| | 85 | O | P4.0 | A16 | Segment address line |
| | 86 | O | P4.1 | A17 | Segment address line |
| | 87 | O | P4.2 | A18 | Segment address line |
| | 88 | O | P4.3 | A19 | Segment address line |
| | 89 | O | P4.4 | A20 | Segment address line |
| | | | | CAN2_RxD | CAN2: receive data input |
| | | | | SCL | I ² C Interface: serial clock |
| | 90 | O | P4.5 | A21 | Segment address line |
| | | | | CAN1_RxD | CAN1: receive data input |
| | | | | CAN2_RxD | CAN2: receive data input |
| | 91 | O | P4.6 | A22 | Segment address line |
| | | | | CAN1_TxD | CAN1: transmit data output |
| | | | | CAN2_TxD | CAN2: transmit data output |
| | 92 | O | P4.7 | A23 | Most significant segment address line |
| CAN2_TxD | | | | CAN2: transmit data output | |
| SDA | | | | I ² C Interface: serial data | |
| \overline{RD} | 95 | O | External memory read strobe. \overline{RD} is activated for every external instruction or data read access. | | |
| $\overline{WR/WRL}$ | 96 | O | External memory write strobe. In \overline{WR} -mode this pin is activated for every external data write access. In \overline{WRL} mode this pin is activated for low byte data write accesses on a 16-bit bus, and for every data write access on an 8-bit bus. See WRCFG in the SYSCON register for mode selection. | | |
| $\overline{READY}/READY$ | 97 | I | Ready input. The active level is programmable. When the ready function is enabled, the selected inactive level at this pin, during an external memory access, will force the insertion of waitstate cycles until the pin returns to the selected active level. | | |
| ALE | 98 | O | Address latch enable output. In case of use of external addressing or of multiplexed mode, this signal is the latch command of the address lines. | | |

Table 1. Pin description (continued)

| Symbol | Pin | Type | Function | | | | | | | | | | | | | | | | | | | | | | |
|--|-----------------------------|------------|---|-----------------------------|--|-----------------|-------|--------|----------------|-----------------------------|---------|----------------|-------|----------|-----------------------------|-------|--------|----------------|-----------|-----------------------------|----------------|----------|------------|--------|-----------------------------|
| \overline{EA} / V_{STBY} | 99 | I | <p>External access enable pin.</p> <p>A low level applied to this pin during and after Reset forces the ST10F273M to start the program from the external memory space. A high level forces ST10F273M to start in the internal memory space. This pin is also used (when Standby mode is entered, that is ST10F273M under reset and main V_{DD} turned off) to bias the 32 kHz oscillator amplifier circuit and to provide a reference voltage for the low-power embedded voltage regulator which generates the internal 1.8V supply for the RTC module (when not disabled) and to retain data inside the Standby portion of the XRAM (16 Kbyte).</p> <p>It can range from 4.5 to 5.5V (6V for a reduced amount of time during the device life, 4.0V when RTC and 32 kHz on-chip oscillator amplifier are turned off). In running mode, this pin can be tied low during reset without affecting 32 kHz oscillator, RTC and XRAM activities, since the presence of a stable V_{DD} guarantees the proper biasing of all those modules.</p> | | | | | | | | | | | | | | | | | | | | | | |
| P0L.0 - P0L.7, P0H.0 P0H.1 - P0H.7 | 100-107, 108, 111-117 | I/O | <p>Two 8-bit bidirectional I/O ports P0L and P0H, bit-wise programmable for input or output via direction bit. Programming an I/O pin as input forces the corresponding output driver to high impedance state. The input threshold of Port 0 is selectable (TTL or CMOS).</p> <p>In case of an external bus configuration, PORT0 serves as the address (A) and as the address / data (AD) bus in multiplexed bus modes and as the data (D) bus in demultiplexed bus modes.</p> <p>Demultiplexed bus modes</p> <table border="1"> <tr> <td>Data path width</td> <td>8-bit</td> <td>16-bit</td> </tr> <tr> <td>P0L.0 – P0L.7:</td> <td>D0 – D7</td> <td>D0 - D7</td> </tr> <tr> <td>P0H.0 – P0H.7:</td> <td>I/O</td> <td>D8 - D15</td> </tr> </table> <p>Multiplexed bus modes</p> <table border="1"> <tr> <td>Data path width</td> <td>8-bit</td> <td>16-bit</td> </tr> <tr> <td>P0L.0 – P0L.7:</td> <td>AD0 – AD7</td> <td>AD0 - AD7</td> </tr> <tr> <td>P0H.0 – P0H.7:</td> <td>A8 – A15</td> <td>AD8 - AD15</td> </tr> </table> | | | Data path width | 8-bit | 16-bit | P0L.0 – P0L.7: | D0 – D7 | D0 - D7 | P0H.0 – P0H.7: | I/O | D8 - D15 | Data path width | 8-bit | 16-bit | P0L.0 – P0L.7: | AD0 – AD7 | AD0 - AD7 | P0H.0 – P0H.7: | A8 – A15 | AD8 - AD15 | | |
| Data path width | 8-bit | 16-bit | | | | | | | | | | | | | | | | | | | | | | | |
| P0L.0 – P0L.7: | D0 – D7 | D0 - D7 | | | | | | | | | | | | | | | | | | | | | | | |
| P0H.0 – P0H.7: | I/O | D8 - D15 | | | | | | | | | | | | | | | | | | | | | | | |
| Data path width | 8-bit | 16-bit | | | | | | | | | | | | | | | | | | | | | | | |
| P0L.0 – P0L.7: | AD0 – AD7 | AD0 - AD7 | | | | | | | | | | | | | | | | | | | | | | | |
| P0H.0 – P0H.7: | A8 – A15 | AD8 - AD15 | | | | | | | | | | | | | | | | | | | | | | | |
| P1L.0 - P1L.7 P1H.0 - P1H.7 | 118-125 128-135 | I/O | <p>Two 8-bit bidirectional I/O ports P1L and P1H, bit-wise programmable for input or output via direction bit. Programming an I/O pin as input forces the corresponding output driver to high impedance state. PORT1 is used as the 16-bit address bus (A) in demultiplexed bus modes: if at least BUSCONx is configured such the demultiplexed mode is selected, the pins of PORT1 are not available for general purpose I/O function. The input threshold of Port 1 is selectable (TTL or CMOS).</p> <p>The pins of P1L also serve as the additional (up to 8) analog input channels for the A/D converter, where P1L.x equals ANy (Analog input channel y, where $y = x + 16$). This additional function have higher priority on demultiplexed bus function. The following PORT1 pins have alternate functions:</p> <table border="1"> <tr> <td>132</td> <td>I</td> <td>P1H.4</td> <td>CC24IO</td> <td>CAPCOM2: CC24 capture input</td> </tr> <tr> <td>133</td> <td>I</td> <td>P1H.5</td> <td>CC25IO</td> <td>CAPCOM2: CC25 capture input</td> </tr> <tr> <td>134</td> <td>I</td> <td>P1H.6</td> <td>CC26IO</td> <td>CAPCOM2: CC26 capture input</td> </tr> <tr> <td>135</td> <td>I</td> <td>P1H.7</td> <td>CC27IO</td> <td>CAPCOM2: CC27 capture input</td> </tr> </table> | | | 132 | I | P1H.4 | CC24IO | CAPCOM2: CC24 capture input | 133 | I | P1H.5 | CC25IO | CAPCOM2: CC25 capture input | 134 | I | P1H.6 | CC26IO | CAPCOM2: CC26 capture input | 135 | I | P1H.7 | CC27IO | CAPCOM2: CC27 capture input |
| 132 | I | P1H.4 | CC24IO | CAPCOM2: CC24 capture input | | | | | | | | | | | | | | | | | | | | | |
| 133 | I | P1H.5 | CC25IO | CAPCOM2: CC25 capture input | | | | | | | | | | | | | | | | | | | | | |
| 134 | I | P1H.6 | CC26IO | CAPCOM2: CC26 capture input | | | | | | | | | | | | | | | | | | | | | |
| 135 | I | P1H.7 | CC27IO | CAPCOM2: CC27 capture input | | | | | | | | | | | | | | | | | | | | | |

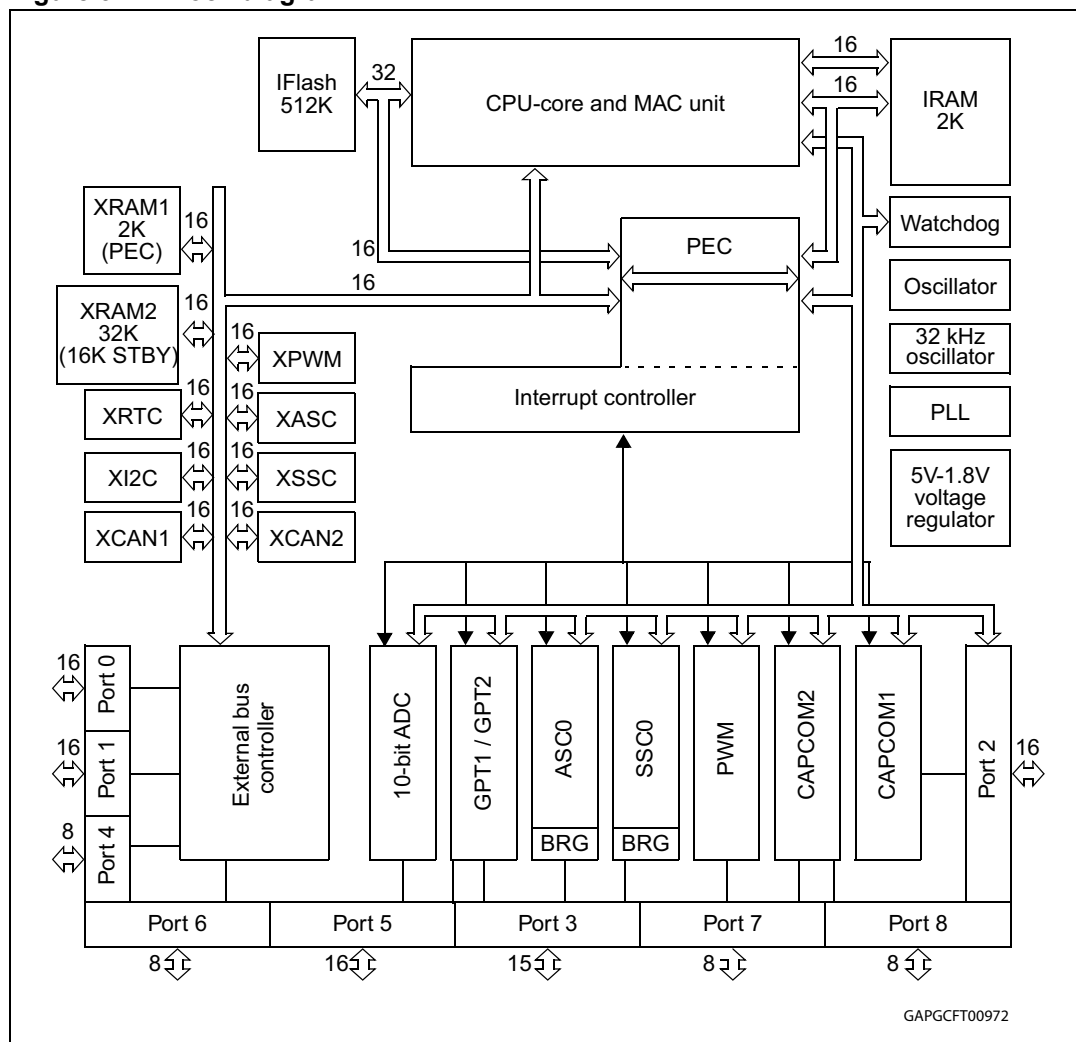
Table 1. Pin description (continued)

| Symbol | Pin | Type | Function | |
|----------------------------|--|------|--|--|
| XTAL1 | 138 | I | XTAL1 | Main oscillator amplifier circuit and/or external clock input. |
| XTAL2 | 137 | O | XTAL2 | Main oscillator amplifier circuit output. |
| | | | To clock the device from an external source, drive XTAL1 while leaving XTAL2 unconnected. Minimum and maximum high / low and rise / fall times specified in the AC Characteristics must be observed. | |
| XTAL3 | 143 | I | XTAL3 | 32 kHz oscillator amplifier circuit input |
| XTAL4 | 144 | O | XTAL4 | 32 kHz oscillator amplifier circuit output |
| | | | When 32 kHz oscillator amplifier is not used, to avoid spurious consumption, XTAL3 shall be tied to ground while XTAL4 shall be left open. Besides, bit OFF32 in RTCCON register shall be set. 32 kHz oscillator can only be driven by an external crystal, and not by a different clock source. | |
| $\overline{\text{RSTIN}}$ | 140 | I | Reset Input with CMOS Schmitt-Trigger characteristics. A low level at this pin for a specified duration while the oscillator is running resets the ST10F273M. An internal pull-up resistor permits power-on reset using only a capacitor connected to V_{SS} . In bidirectional reset mode (enabled by setting bit BDRSTEN in SYSCON register), the $\overline{\text{RSTIN}}$ line is pulled low for the duration of the internal reset sequence. | |
| $\overline{\text{RSTOUT}}$ | 141 | O | Internal Reset Indication Output. This pin is driven to a low level during hardware, software or watchdog timer reset. $\overline{\text{RSTOUT}}$ remains low until the EINIT (end of initialization) instruction is executed. | |
| $\overline{\text{NMI}}$ | 142 | I | Non-Maskable Interrupt Input. A high to low transition at this pin causes the CPU to vector to the NMI trap routine. If bit PWDCFG = '0' in SYSCON register, when the PWRDN (power down) instruction is executed, the $\overline{\text{NMI}}$ pin must be low in order to force the ST10F273M to go into power down mode. If $\overline{\text{NMI}}$ is high and PWDCFG = '0', when PWRDN is executed, the part will continue to run in normal mode. If not used, pin $\overline{\text{NMI}}$ should be pulled high externally. | |
| V_{AREF} | 37 | - | A/D converter reference voltage and analog supply | |
| V_{AGND} | 38 | - | A/D converter reference and analog ground | |
| RPD | 84 | - | Timing pin for the return from interruptible power down mode and synchronous / asynchronous reset selection. | |
| V_{DD} | 17, 46, 72,82,93, 109, 126, 136 | - | Digital supply voltage = + 5V during normal operation, idle and power down modes. It can be turned off when Standby RAM mode is selected. | |
| V_{SS} | 18,45, 55,71, 83,94, 110, 127, 139 | - | Digital ground | |
| V_{18} | 56 | - | 1.8V decoupling pin: a decoupling capacitor (typical value of 10nF, max 100nF) must be connected between this pin and nearest V_{SS} pin. | |

3 Functional description

The architecture of the ST10F273M combines advantages of both RISC and CISC processors and an advanced peripheral subsystem. The block diagram gives an overview of the different on-chip components and the high bandwidth internal bus structure of the ST10F273M.

Figure 3. Block diagram



4 Memory organization

The memory space of the ST10F273M is configured in a unified memory architecture. Code memory, data memory, registers and I/O ports are organized within the same linear address space of 16 Mbytes. The entire memory space can be accessed Byte-wise or Word-wise. Particular portions of the on-chip memory have additionally been made directly bit addressable.

IFlash: 512 Kbytes of on-chip Flash memory implemented as a unique Bank (Bank0). Bank0 is divided in 12 blocks (B0F0...B0F11).

Note: Read-while-write operations are not allowed: Write commands must be executed from a non IFlash memory area (on-chip RAM or external memory).

When Bootstrap mode is selected, the Test-Flash Block B0TF (4 Kbytes) appears at address 00'0000h: Refer to the device User Manual for more details on the memory mapping in Bootstrap mode. The summary of address range for IFlash is the following:

Table 2. Summary of IFlash address range

| Blocks | User mode | Size (bytes) |
|-----------------------------|---------------------|--------------|
| B0TF | Not visible | 4 K |
| B0F0 | 00'0000h - 00'1FFFh | 8 K |
| B0F1 | 00'2000h - 00'3FFFh | 8 K |
| B0F2 | 00'4000h - 00'5FFFh | 8 K |
| B0F3 | 00'6000h - 00'7FFFh | 8 K |
| B0F4 | 01'8000h - 01'FFFFh | 32 K |
| B0F5 | 02'0000h - 02'FFFFh | 64 K |
| B0F6 | 03'0000h - 03'FFFFh | 64 K |
| B0F7 | 04'0000h - 04'FFFFh | 64 K |
| B0F8 | 05'0000h - 05'FFFFh | 64 K |
| B0F9 | 06'0000h - 06'FFFFh | 64 K |
| B1F0 / B0F10 ⁽¹⁾ | 07'0000h - 07'FFFFh | 64 K |
| B1F1 / B0F11 ⁽¹⁾ | 08'0000h - 08'FFFFh | 64 K |

Note: A single Flash bank is implemented on the ST10F273M compared to the ST10F273E. The last two sectors (B0F10 and B0F11) can be seen as the Bank1 of the ST10F273E in order to maintain the compatibility with the existing Flash programming drivers. For this, the control and status bit of the blocks B0F10 and B0F11 have been duplicated to be usable as blocks B1F0 and B1F1 of the ST10F273E.

XFLASH / Flash Control Registers: Address range 0E'0000h-0E'FFFFh is reserved for the Flash Control Register and other internal service memory space used by the Flash Program/Erase Controller. XFLASHEN bit in XPERCON register must be set to access the Flash Control Register. Note that when Flash Control Registers are not accessible, no program/erase operations are possible. The Flash Control Registers are accessed in 16-bit demultiplexed bus-mode without read/write delay. Byte and word accesses are allowed.

IRAM: 2 Kbytes of on-chip internal RAM (dual-port) is provided as a storage for data, system stack, general purpose register banks and code. A register bank is 16 Wordwide (R0 to R15) and / or Bytewide (RL0, RH0, ..., RL7, RH7) general purpose registers group.

XRAM: 34 Kbytes of on-chip extension RAM (single port XRAM) is provided as a storage for data, user stack and code.

The XRAM is divided into two areas, the first 2 Kbytes named XRAM1 and the second 32 Kbytes named XRAM2, connected to the internal XBUS and are accessed like an external memory in 16-bit demultiplexed bus-mode without wait state or read/write delay (50ns access at 40 MHz CPU clock). Byte and Word accesses are allowed.

The XRAM1 address range is 00'E000h - 00'E7FFh if XPEN (bit 2 of SYSCON register), and XRAM1EN (bit 2 of XPERCON register) are set.

If XRAM1EN or XPEN is cleared, then any access in the address range 00'E000h - 00'E7FFh will be directed to external memory interface, using the BUSCONx register corresponding to address matching ADDRSELx register.

The XRAM2 address range is F'0000h - F'7FFFFh if XPEN (bit 2 of SYSCON register), and XRAM2EN (bit 3 of XPERCON register) are set.

If bit XPEN is cleared, then any access in the address range programmed for XRAM2 will be directed to external memory interface, using the BUSCONx register corresponding to address matching ADDRSELx register.

The 16 kbytes lower portion of the XRAM2 (address range F'0000h - F'3FFFFh) represents also the Standby RAM, which can be maintained biased through EA / V_{STBY} pin when the main supply V_{DD} is turned off.

As the XRAM appears like external memory, it cannot be used as system stack or as register banks. The XRAM is not provided for single bit storage and therefore is not bit addressable.

SFR/ESFR: 1024 bytes (2 x 512 bytes) of address space is reserved for the special function register (SFR) areas. SFRs are Wordwide registers which are used to control and to monitor the function of the different on-chip units.

CAN1: Address range 00'EF00h - 00'EFFh is reserved for the CAN1 Module access. The CAN1 is enabled by setting XPEN bit 2 of the SYSCON register and by setting CAN1EN bit 0 of the XPERCON register. Accesses to the CAN Module use demultiplexed addresses and a 16-bit data bus (only word accesses are possible). Two wait states give an access time of 100ns at 40 MHz CPU clock. No tri-state wait states are used.

CAN2: Address range 00'EE00h - 00'EEFFh is reserved for the CAN2 Module access. The CAN2 is enabled by setting XPEN bit 2 of the SYSCON register and by setting CAN2EN bit 1 of the new XPERCON register. Accesses to the CAN Module use demultiplexed addresses and a 16-bit data bus (only word accesses are possible). Two wait states give an access time of 100ns at 40 MHz CPU clock. No tri-state wait states are used.

Note: If one or the two CAN modules are used, Port 4 cannot be programmed to output all eight segment address lines. Thus, only four segment address lines can be used, reducing the external memory space to 5 Mbytes (1 Mbyte per CS line).

RTC: Address range 00'ED00h - 00'EDFFh is reserved for the RTC Module access. The RTC is enabled by setting XPEN bit 2 of the SYSCON register and bit 4 of the XPERCON register. Accesses to the RTC Module use demultiplexed addresses and a 16-bit data bus (only word accesses are possible). Two waitstates give an access time of 100ns at 40 MHz CPU clock. No tristate waitstate is used.

PWM1: Address range 00'EC00h - 00'ECFFh is reserved for the PWM1 Module access. The PWM1 is enabled by setting XPEN bit 2 of the SYSCON register and bit 6 of the XPERCON register. Accesses to the PWM1 Module use demultiplexed addresses and a 16-bit data bus (only word accesses are possible). Two waitstates give an access time of 100ns at 40 MHz CPU clock. No tristate waitstate is used. Only word access is allowed.

ASC1: Address range 00'E900h - 00'E9FFh is reserved for the ASC1 Module access. The ASC1 is enabled by setting XPEN bit 2 of the SYSCON register and bit 7 of the XPERCON register. Accesses to the ASC1 Module use demultiplexed addresses and a 16-bit data bus (only word accesses are possible). Two waitstates give an access time of 100ns at 40 MHz CPU clock. No tristate waitstate is used.

SSC1: Address range 00'E800h - 00'E8FFh is reserved for the SSC1 Module access. The SSC1 is enabled by setting XPEN bit 2 of the SYSCON register and bit 8 of the XPERCON register. Accesses to the SSC1 Module use demultiplexed addresses and a 16-bit data bus (only word accesses are possible). Two waitstates give an access time of 100ns at 40 MHz CPU clock. No tristate waitstate is used.

I2C: Address range 00'EA00h - 00'EAFh is reserved for the I2C Module access. The I2C is enabled by setting XPEN bit 2 of the SYSCON register and bit 9 of the XPERCON register. Accesses to the I2C Module use demultiplexed addresses and a 16-bit data bus (only word accesses are possible). Two waitstates give an access time of 100ns at 40 MHz CPU clock. No tristate waitstate is used.

X-Miscellaneous: Address range 00'EB00h - 00'EBFFh is reserved for the access to a set of XBUS additional features. They are enabled by setting XPEN bit 2 of the SYSCON register and bit 10 of the XPERCON register. Accesses to this additional features use demultiplexed addresses and a 16-bit data bus (only word accesses are possible). Two waitstates give an access time of 100ns at 40 MHz CPU clock. No tristate waitstate is used. The following set of features are provided:

- CLKOUT programmable divider
- XBUS interrupt management registers
- ADC multiplexing on P1L register
- Port1L digital disable register for extra ADC channels
- CAN2 multiplexing on P4.5/P4.6
- CAN1-2 main clock prescaler
- Main Voltage Regulator disable for power-down mode
- TTL / CMOS threshold selection for Port0, Port1 and Port5

In order to meet the needs of designs where more memory is required than is provided on chip, up to 16 Mbytes of external memory can be connected to the microcontroller.

Visibility of XBUS peripherals

In order to keep the ST10F273M compatible with the ST10F168 / ST10F269, the XBUS peripherals can be selected to be visible on the external address / data bus. Different bits for X-Peripheral enabling in XPERCON register must be set. If these bits are cleared before the global enabling with XPEN bit in SYSCON register, the corresponding address space, port pins and interrupts are not occupied by the peripherals, thus the peripheral is not visible and not available. Refer to [Chapter 23: Register set on page 115](#).

XPERCON and X-Peripheral clock gating

As already mentioned, the XPERCON register must be programmed to enable the single XBus modules separately. The XPERCON is a read/write ESFR register.

The new feature of Clock Gating has been implemented by means of this register: Once the EINIT instruction has been executed, all the peripherals (except RAMs and XMISC) not enabled in the XPERCON register are not be clocked. The clock gating can reduce power consumption and improve EMI when the user does not use all X-Peripherals.

Note: When the clock has been gated in the disabled peripherals, no Reset will be raised once the EINIT instruction has been executed.

Figure 4. ST10F273M memory mapping (XADRS3 = 800Bh - reset value)

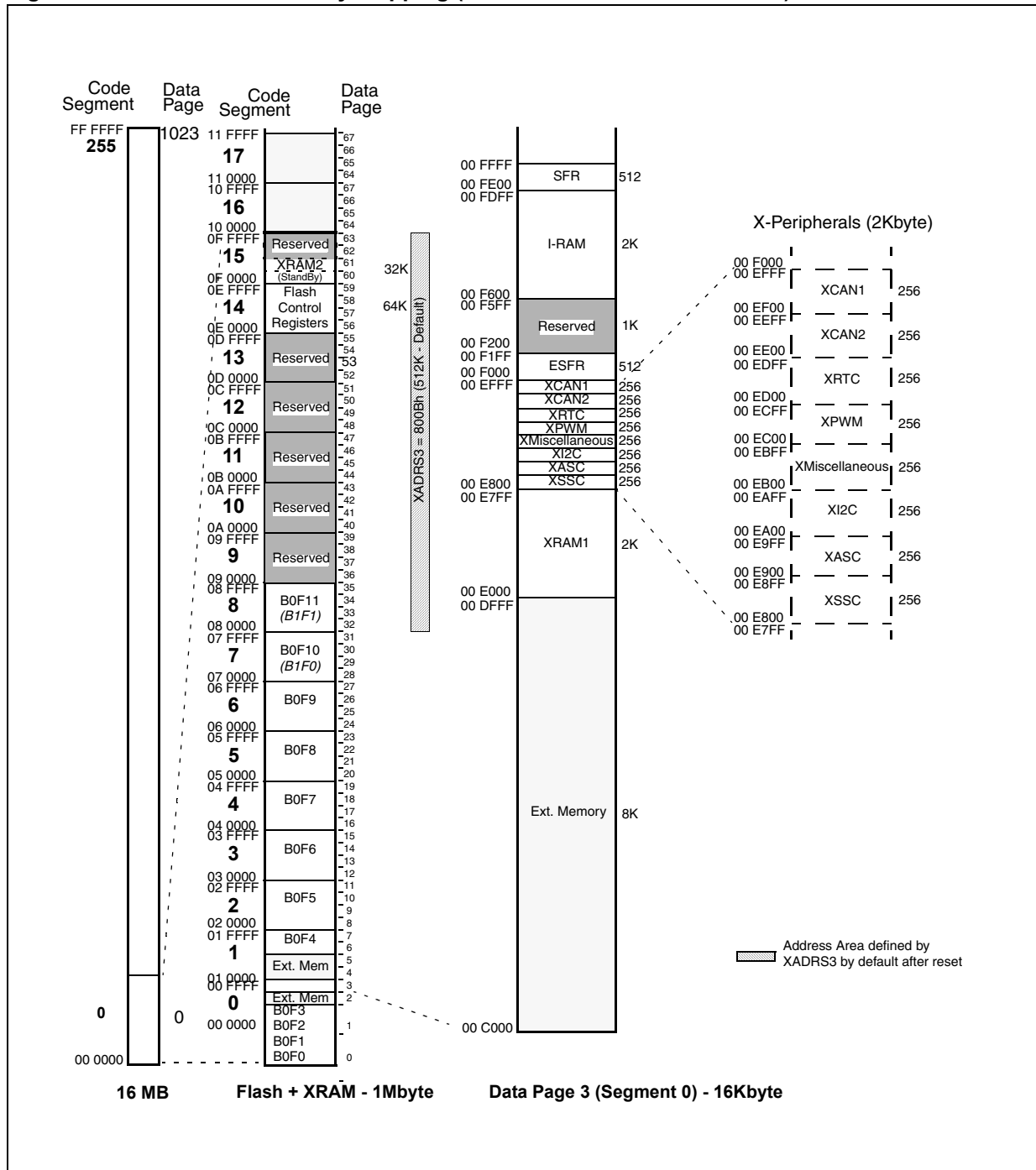
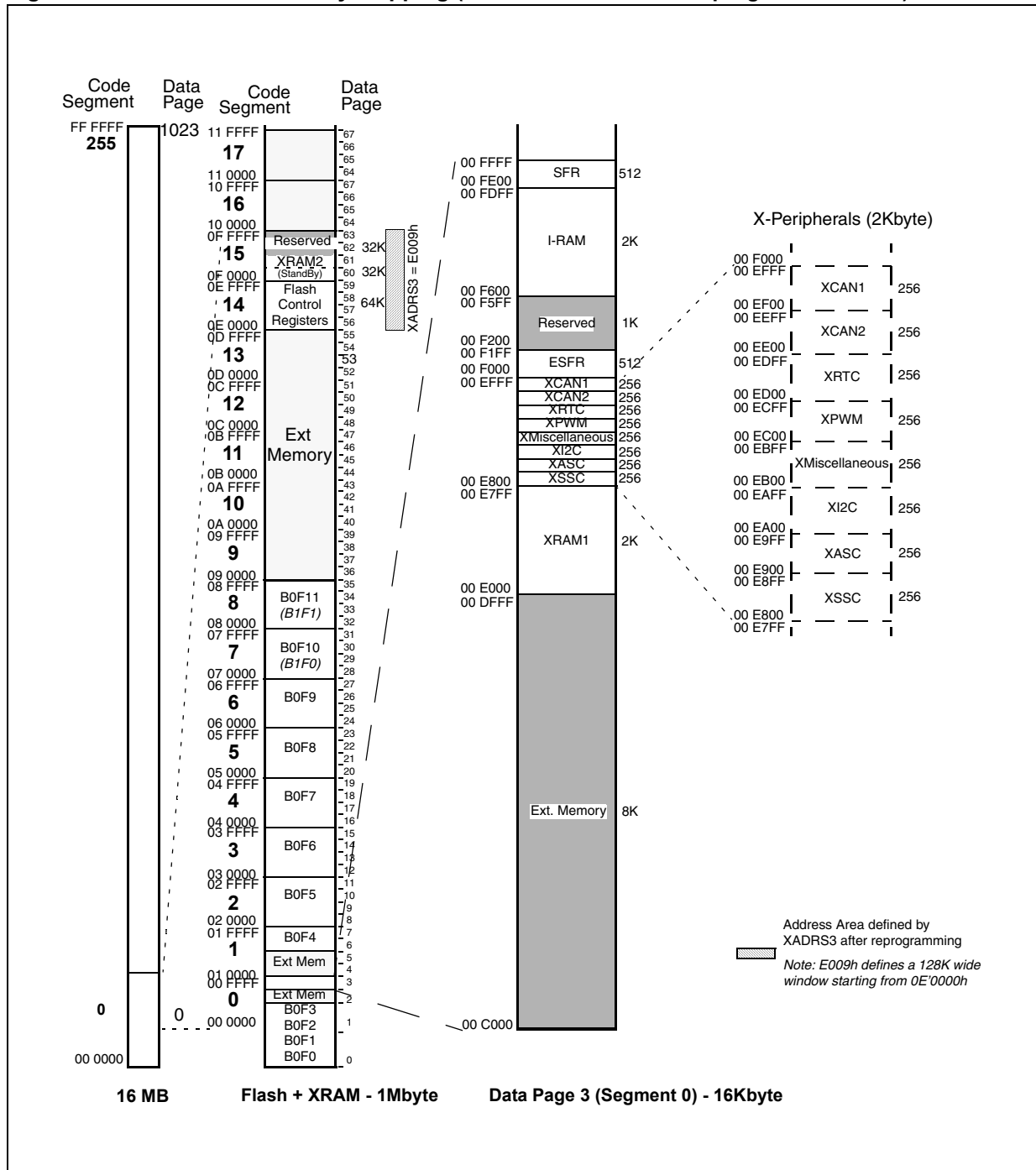


Figure 5. ST10F273M memory mapping (XADRS3 = E009h - user programmed value)

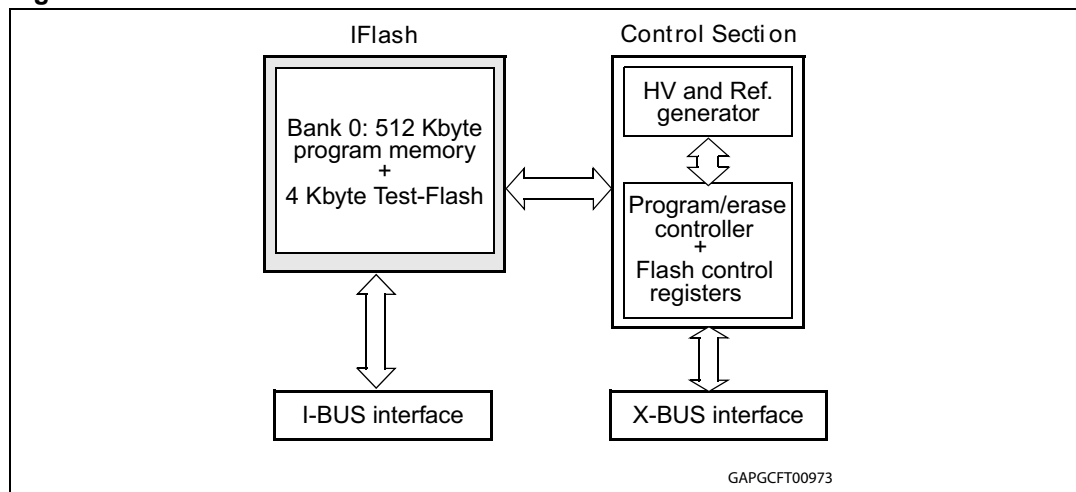


5 Internal Flash memory

5.1 Overview

The on-chip Flash is composed of one matrix module of one bank of 512 Kbytes, named Bank0, that can be read and modified. This module is called IFlash because it is on the ST10 Internal bus.

Figure 6. Flash structure



The programming operations of the Flash are managed by an embedded Flash Program/Erase Controller (FPEC). The high voltages needed for Program/Erase operations are generated internally.

The Data bus is 32-bit wide for fetch accesses to IFlash. Read/write accesses to IFlash Control Registers area are 16-bit wide.

5.2 Functional description

5.2.1 Structure

Table 3 below shows the address space reserved for the Flash module.

Table 3. Flash module address space

| Description | Addresses | Size |
|--|------------------------|------------|
| IFlash sectors | 0x00 0000 to 0x08 FFFF | 512 Kbytes |
| Registers and Flash internal reserved area | 0x0E 0000 to 0x0E FFFF | 64 Kbytes |

5.2.2 Module structure

The IFlash module is composed of a bank (Bank 0) of 512 Kbytes of program memory divided in 12 sectors (B0F0...B0F11). Bank 0 also contains a reserved sector named Test-Flash.

The Addresses from 0x0E 0000 to 0x0E FFFF are reserved for the Control Register Interface and other internal service memory space used by the Flash Program/Erase controller.

The following tables show the memory mapping of the Flash when it is accessed in read mode (*Table 4: Flash module sectorization (read operations)*), and when accessed in write or erase mode (*Table 5: Flash module sectorization (write operations, or ROMS1 = '1')*).

Note: With this second mapping, the first four sectors are remapped into code segment 1 (same as obtained setting bit ROMS1 in SYSCON register).

Table 4. Flash module sectorization (read operations)

| Bank | Description | Addresses | Size (bytes) |
|------|---|-----------------------|--------------|
| B0 | Bank 0 Flash 0 (B0F0) | 0x00 0000 - 0x00 1FFF | 8 K |
| | Bank 0 Flash 1 (B0F1) | 0x00 2000 - 0x00 3FFF | 8 K |
| | Bank 0 Flash 2 (B0F2) | 0x00 4000 - 0x00 5FFF | 8 K |
| | Bank 0 Flash 3 (B0F3) | 0x00 6000 - 0x00 7FFF | 8 K |
| | Bank 0 Flash 4 (B0F4) | 0x01 8000 - 0x01 FFFF | 32 K |
| | Bank 0 Flash 5 (B0F5) | 0x02 0000 - 0x02 FFFF | 64 K |
| | Bank 0 Flash 6 (B0F6) | 0x03 0000 - 0x03 FFFF | 64 K |
| | Bank 0 Flash 7 (B0F7) | 0x04 0000 - 0x04 FFFF | 64 K |
| | Bank 0 Flash 8 (B0F8) | 0x05 0000 - 0x05 FFFF | 64 K |
| | Bank 0 Flash 9 (B0F9) | 0x06 0000 - 0x06 FFFF | 64 K |
| | Bank 0 Flash 10 (B0F10 / B1F0) ⁽¹⁾ | 0x07 0000 - 0x07 FFFF | 64 K |
| | Bank 0 Flash 11 (B0F11 / B1F1) ⁽¹⁾ | 0x08 0000 - 0x08 FFFF | 64 K |

1. A single bank is implemented but the last two sectors can be seen as a Bank 1 in order to maintain compatibility with the Flash Programming routines developed for the ST10F273E (based on ST10F276E). This means that the Control and Status flags for the blocks B0F10 and B0F11 are duplicated to also be accessible as blocks B1F0 and B1F1.

Table 5. Flash module sectorization (write operations, or ROMS1 = '1')

| Bank | Description | Addresses | Size (bytes) |
|------|---|-----------------------|--------------|
| B0 | Bank 0 Test-Flash (B0TF) | 0x00 0000 - 0x00 0FFF | 4 K |
| | Bank 0 Flash 0 (B0F0) | 0x01 0000 - 0x01 1FFF | 8 K |
| | Bank 0 Flash 1 (B0F1) | 0x01 2000 - 0x01 3FFF | 8 K |
| | Bank 0 Flash 2 (B0F2) | 0x01 4000 - 0x01 5FFF | 8 K |
| | Bank 0 Flash 3 (B0F3) | 0x01 6000 - 0x01 7FFF | 32 K |
| | Bank 0 Flash 4 (B0F4) | 0x01 8000 - 0x01 FFFF | 64 K |
| | Bank 0 Flash 5 (B0F5) | 0x02 0000 - 0x02 FFFF | 64 K |
| | Bank 0 Flash 6 (B0F6) | 0x03 0000 - 0x03 FFFF | 64 K |
| | Bank 0 Flash 7 (B0F7) | 0x04 0000 - 0x04 FFFF | 64 K |
| | Bank 0 Flash 8 (B0F8) | 0x05 0000 - 0x05 FFFF | 64 K |
| | Bank 0 Flash 9 (B0F9) | 0x06 0000 - 0x06 FFFF | 64 K |
| | Bank 0 Flash 10 (B0F10 / B1F0) ⁽¹⁾ | 0x07 0000 - 0x07 FFFF | 64 K |
| | Bank 0 Flash 11 (B0F11 / B1F1) ⁽¹⁾ | 0x08 0000 - 0x08 FFFF | 8 K |

1. A single bank is implemented but the last two sectors can be seen as a Bank 1 in order to maintain compatibility with the Flash Programming routines developed for the ST10F273E (based on ST10F276E). This means that the Control and Status flags for the blocks B0F10 and B0F11 are duplicated to also be accessible as blocks B1F0 and B1F1.

Table 5 above refers to the configuration when bit ROMS1 of SYSCON register is set.

When Bootstrap mode is entered:

- Test-Flash is seen and available for code fetches (address 0x00 0000)
- User IFlash is only available for read and write accesses
- Write accesses must be made with addresses starting in segment 1 from 0x01 0000, whatever ROMS1 bit in SYSCON value
- Read accesses are made in segment 0 or in segment 1 depending of ROMS1 value.

In Bootstrap mode, by default ROMS1 = 0, so the first 32 Kbytes of IFlash are mapped in segment 0.

Example 1:

In default configuration, to program address 0, the user must put the value 0x01 0000 in the FARL and FARH registers but to verify the content of the address 0, a read to 0x00 0000 must be performed.

The next *Table 6* shows the Control Register interface composition: This set of registers can be addressed by the CPU .

Table 6. Flash control registers summary

| Name | Description | Addresses | Size | Bus size |
|---------------|--|-----------------------|--------|---------------|
| FCR1 - 0 | Flash control registers 1 - 0 High & Low | 0x0E 0000 - 0x0E 0007 | 8 byte | 16-bit (XBus) |
| FDR1 - 0 | Flash data registers 1 - 0 High & Low | 0x0E 0008 - 0x0E 000F | 8 byte | |
| FAR | Flash address registers | 0x0E 0010 - 0x0E 0013 | 4 byte | |
| FER | Flash error register | 0x0E 0014 - 0x0E 0015 | 2 byte | |
| FVWPIR-mirror | Flash non-volatile protection I registers mirrored | 0x0E DFB0 - 0x0E DFB3 | 4 byte | |
| FVWPIR | Flash volatile protection I registers | 0x0E DFB4 - 0x0E DFB7 | 4 byte | |
| FVAPR0 | Flash volatile access protection register 0 | 0x0E DFB8 - 0x0E DFB9 | 2 byte | |
| FVAPR1 | Flash non-volatile access protection register 1 | 0x0E DFBC - 0x0E DFBF | 4 byte | |
| XFICR | XFlash Interface Control register (dummy register) | 0x0E E000 - 0x0E E001 | 2 byte | |

Note: *FVWPIR-mirror is a mirror of the FVWPIR to maintain software compatibility with the ST10F273E in the handling of the last two blocks B0F10/B1F0 and B0F11/B1F1. XFICR is a dummy register that can be read and written (for compatibility with the ST10F273E) but its content has no effect on the XBus timings.*

5.2.3 Low power mode

The Flash module is automatically switched off executing PWRDN instruction. The consumption is drastically reduced, but exiting this state can require a long time (t_{PD}).

Recovery time from Power-down mode for the Flash modules is anyway shorter than the main oscillator start-up time. To avoid any problem in restarting to fetch code from the Flash, it is important to size properly the external circuit on RPD pin.

Note: *PWRDN instruction must not be executed while a Flash program/erase operation is in progress.*

5.3 Write operation

The Flash module has a single register interface mapped in the XBus memory space 0x0E 0000 - 0x0E 0015. All the operations are enabled through four 16-bit control registers: Flash Control Register 1-0 High/Low (FCR1H/L-FCR0H/L). Eight other 16-bit registers are used to store Flash Address and Data for Program operations (FARH/L and FDR1H/L-FDR0H/L) and Write Operation Error flags (FER). All registers are accessible with 8- and 16-bit instructions (since they are mapped on the XBus).

Note: *To have access to the Flash Control Registers used for program/erasing operations, bit 5 (XFLASHEN) in XPERCON register must be set.*

Caution: During a Flash write operation any attempt to read the IFlash will output the invalid data 009Bh (corresponding, for code fetch, to the software trap 009Bh). This means that the IFlash is not fetchable when a programming operation is active: the write operation commands must be executed from another memory (one of the on-chip RAMs or some external memory).

Warning: During a Write operation, when bit LOCK of FCR0 is set, it is forbidden to write into the Flash Control Registers.

Power supply drop

If during a write operation the internal low voltage supply drops below a certain internal voltage threshold, any write operation running is suddenly interrupted and the module is reset to Read mode. At following Power-on, the interrupted Flash write operation must be repeated.

5.4 Flash control registers description

5.4.1 Flash control register 0 low (FCR0L)

The Flash Control Register 0 Low (FCR0L), together with the Flash Control Register 0 High (FCR0H), is used to enable and to monitor all the write operations on the IFlash. The user has no access in write mode to the Test-Flash (B0TF). Moreover, the Test-Flash block is seen by the user in Bootstrap mode only.

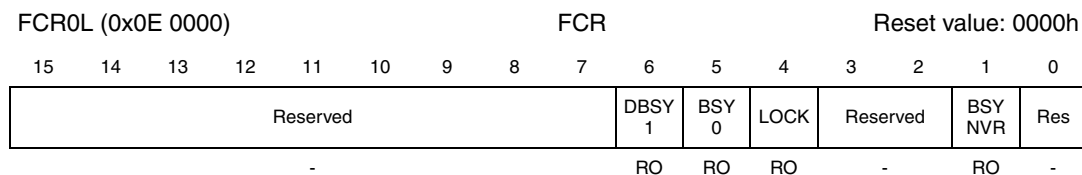


Table 7. FCR0L register description

| Bit | Name | Function |
|------|-------|--|
| 15:7 | - | Reserved. These bits must be left to their reset value (0). |
| 6 | DBSY1 | Dummy Bank1 Busy It is a replication of the BSY0 bit: it is set whenever a write operation is on-going. This bit is emulating the BSY1 bit of the ST10F273E device. When write operations are on going on B0F10 and/or B0F11 blocks of the ST10F273M, this bit will be set in order to indicate that their equivalent B1F0 or B1F1 in the ST10F273E are busy. |

Table 7. FCR0L register description (continued)

| Bit | Name | Function |
|-----|--------|---|
| 5 | BSY0 | <p>Bank0 Busy</p> <p>This bits indicate that a write operation is running in the Bank0. It is automatically set when bit WMS is set. When this bit is set every read access to the Bank0 will output invalid data (software trap 009Bh), while every write access will be ignored. At the end of the write operation or during a Program or Erase Suspend this bit is automatically reset and Flash Bank returns to read mode. After a Program or Erase Resume this bit is automatically set again.</p> |
| 4 | LOCK | <p>Flash registers access locked</p> <p>When this bit is set, it means that the access to the Flash Control Registers FCR0H/-FCR1H/L, FDR0H/L-FDR1H/L, FARH/L and FER is locked by the FPEC: any read access to the registers will output invalid data (software trap 009Bh) and any write access will be ineffective. LOCK bit is automatically set when the Flash bit WMS is set.</p> <p>This is the only bit the user can always access to detect the status of the Flash: once it is found low, the rest of FCR0L and all the other Flash registers are accessible by the user as well.</p> <p>Note that FER content can be read when LOCK is low, but its content is updated only when also BSYx bits are reset.</p> |
| 3:2 | - | Reserved. These bits must be left to their reset value (0). |
| 1 | BSYNVR | <p>Busy of Non-Volatile Registers</p> <p>This bit indicate that a write operation is running in the corresponding on “Non-volatile registers”. They are automatically set when bit WMS is set. When this bit is set every read access to the IFlash will output the value 009Bh (software trap), while every write access to the IFlash will be ignored. At the end of the write operation or during a Program Suspend this bit is automatically reset and the IFlash returns to read mode. After a Program this bit is automatically set again.</p> |
| 0 | - | Reserved. This bit must be left to its reset value (0). |

5.4.2 Flash control register 0 high (FCR0H)

The Flash Control Register 0 High (FCR0H) together with the Flash Control Register 0 Low (FCR0L) is used to enable and to monitor all the write operations on the IFlash. The user has no access in write mode to the Test-Flash (B0TF). Moreover, the Test-Flash block is seen by the user in Bootstrap mode only.

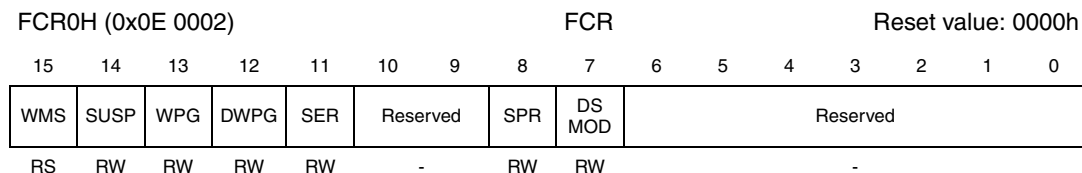


Table 8. FCR0H register description

| Bit | Name | Function |
|-----|------|---|
| 15 | WMS | <p>Write mode start</p> <p>This bit must be set to start every write operation in the Flash module. At the end of the write operation or during a Suspend, this bit is automatically reset. To resume a suspended operation, this bit must be set again. It is forbidden to set this bit if bit ERR of FER is high (the operation is not accepted). It is also forbidden to start a new write (program or erase) operation (by setting WMS high) when bit SUSP of FCR0 is high. Resetting this bit by software has no effect.</p> |
| 14 | SUSP | <p>Suspend</p> <p>This bit must be set to suspend the current Program (Word or Double Word) or Sector Erase operation in order to read data in another part of the Flash. The Suspend operation resets the Bank0 to normal read mode (automatically resetting bits BSYx). When in Program Suspend, the Flash module accepts only the following operations: Read and Program Resume. When in Erase Suspend the module accepts only the following operations: Read, Erase Resume. To resume a suspended operation, the WMS bit must be set again, together with the selection bit corresponding to the operation to resume (WPG, DWPG, SER).⁽¹⁾</p> |
| 13 | WPG | <p>Word program</p> <p>This bit must be set to select the Word (32 bits) Program operation in the Flash module. The Word Program operation allows to program 0s in place of 1s. The Flash Address to be programmed must be written in the FARH/L registers, while the Flash Data to be programmed must be written in the FDR0H/L registers before starting the execution by setting bit WMS. WPG bit is automatically reset at the end of the Word Program operation.</p> |
| 12 | DWPG | <p>Double word program</p> <p>This bit must be set to select the Double Word (64 bits) Program operation in the Flash module. The Double Word Program operation allows to program 0s in place of 1s. The Flash Address in which to program (aligned with even words) must be written in the FARH/L registers, while the two Flash Data words to be programmed must be written in the FDR0H/L registers (even word) and FDR1H/L registers (odd word) before starting the execution by setting bit WMS. DWPG bit is automatically reset at the end of the Double Word Program operation.</p> |

Table 8. FCR0H register description (continued)

| Bit | Name | Function |
|------|-------|---|
| 11 | SER | <p>Sector erase</p> <p>This bit must be set to select the Sector Erase operation. The Sector Erase operation allows to erase all the Flash locations to value 0xFFFF. From 1 to all of Bank0's sectors (excluding Test-Flash) can be selected to be erased through bits BxFy of FCR1H/L registers before starting the execution by setting bit WMS. It is not necessary to preprogram the sectors to 0, because this is done automatically. SER bit is automatically reset at the end of the Sector Erase operation.</p> |
| 10:9 | - | Reserved. This bit must be left to their reset value (0). |
| 8 | SPR | <p>Set protection</p> <p>This bit must be set to select the Set Protection operation. The Set Protection operation allows to program 0s in place of 1s in the Flash Non-Volatile Protection Registers. The Flash Address in which to program must be written in the FARH/L registers, while the Flash Data to be programmed must be written in the FDR0H/L before starting the execution by setting bit WMS. A sequence error is flagged by bit SEQER of FER if the address written in FARH/L is not in the range 0x0E DFB0-0x0E DFBF. SPR bit is automatically reset at the end of the Set Protection operation.</p> |
| 7 | DSMOD | <p>Dummy Select Module</p> <p>This is a dummy SMOD bit that is maintaining software compatibility with the ST10F273E where it must be set before every Write Operation to the IFlash. It has no effect in the ST10F273M.</p> |
| 6:0 | - | Reserved. These bits must be kept to their reset value (0). |

1. It is forbidden to start a new Write operation with bit SUSP already set.

5.4.3 Flash control register 1 low (FCR1L)

The Flash Control Register 1 Low (FCR1L), together with Flash Control Register 1 High (FCR1H), is used to select the sectors to erase or during any write operation, to monitor the status of each sector and bank.

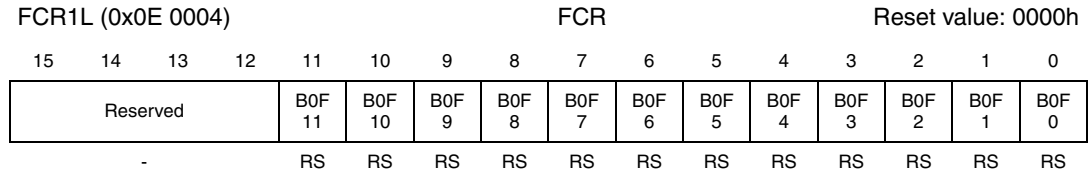


Table 9. FCR1L register description

| Bit | Name | Function |
|-------|---------------------|---|
| 15:12 | - | Reserved. These bits must be kept to their default value (0). |
| 11:10 | B0F11 B0F10 | Bank0 IFlash sector 11:10 status These bits are a copy of bits B0F10 and B0F11 in FCR1H. It is possible use these bits as well as the bits B0F10/B1F0 and B0F11/B1F1 in FCR1H. To preserve compatibility with the ST10F273E, these bits must be left at their default value '0' and the FCR1H register must be used. |
| 9:0 | B0F9 ... B0F0 | Bank 0 IFlash sector 9:0 status These bits must be set during a Sector Erase operation to select the sectors to erase in Bank 0. Besides, during any erase operation, these bits are automatically set and give the status of the first 10 sectors of Bank 0 (B0F9-B0F0). The meaning of B0Fy bit for Sector y of Bank 0 is given by Table 11: Bank (BxS) and sectors (BxFy) status bits meaning . These bits are automatically reset at the end of a Write operation if no errors are detected. |

5.4.4 Flash control register 1 high (FCR1H)

The Flash Control Register 1 High (FCR1H), together with Flash Control Register 1 Low (FCR1L), is used to select the sectors to erase or during any write operation, to monitor the status of each sector and bank.

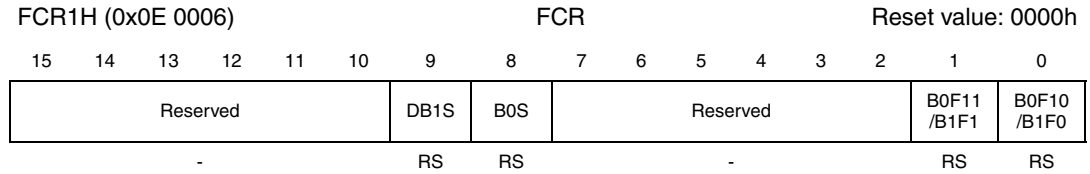


Table 10. FCR1H register description

| Bit | Name | Function |
|-------|--------------------------|---|
| 15:10 | - | Reserved. These bits must be kept to their default value (0). |
| 9 | DB1S | Dummy Bank1 status This is a replication of B0S bit. In order to maintain compatibility with the ST10F273E where operations on the last 2 sectors were flagged in this position. |
| 8 | B0S | Bank0 status During any erase operation, this bit is automatically modified and gives the status of the Bank 0. The meaning of B0S bit is given in the next Table 11: Bank (BxS) and sectors (BxFy) status bits meaning . This bit is automatically reset at the end of a erase operation if no errors are detected. |
| 7:2 | - | Reserved. These bits must be kept to their default value (0). |
| 1:0 | B0F10/B1F0 B0F11/B1F1 | Bank0 IFlash sector 11:10 status / Bank1 IFlash sector 1:0 status These bits must be set during a Sector Erase operation to select the last 2 sectors of Bank0. Besides, during any erase operation, these bits are automatically set and give the status of the last two sectors of Bank0 (B0F11-B0F10). The meaning of B0Fy bit for Sector y of Bank 0 is given by the next Table 11: Bank (BxS) and sectors (BxFy) status bits meaning . These bits are automatically reset at the end of a Write operation if no errors are detected. <i>Note: These bits can also be seen as selecting the two sectors of Bank1 for compatibility with the ST10F273E.</i> |

Table 11. Bank (BxS) and sectors (BxFy) status bits meaning

| Operation | | BxS = 1 meaning | BxFy = 1 meaning |
|-----------|---------|---------------------------|---------------------------------------|
| Erase | Suspend | | |
| 1 | - | Erase error | Erase error in sector y |
| 0 | 1 | Erase suspended in bank x | Erase suspended in sector y of bank x |
| 0 | 0 | Don't care | Don't care |

5.4.5 Flash data register 0 low (FDR0L)

During program operations, the Flash Address Registers (FARH/L) are used to store the Flash address in which to program and the Flash Data Registers (FDR1H/L-FDR0H/L) are used to store the Flash data to program.

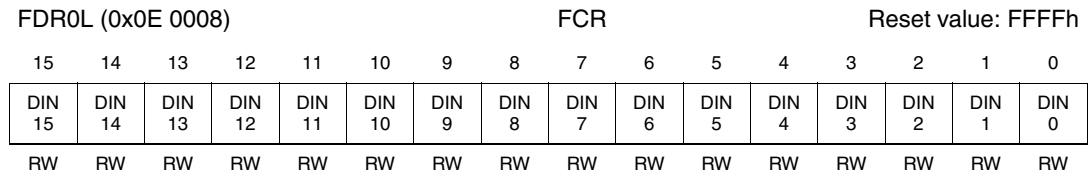


Table 12. FDR0L register description

| Bit | Name | Function |
|------|-----------|--|
| 15:0 | DIN[15:0] | Data input 15:0 These bits must be written with the Data to program in Flash during the following operations: Word Program (32-bit), Double Word Program (64-bit) and Set Protection. |

5.4.6 Flash data register 0 high (FDR0H)

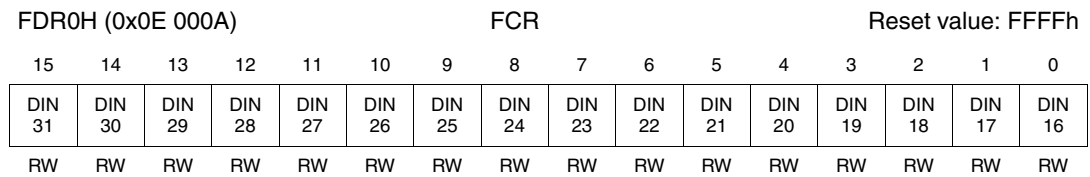


Table 13. FDR0H register description

| Bit | Name | Function |
|------|------------|---|
| 15:0 | DIN[31:16] | Data input 31:16 These bits must be written with the Data to program in Flash during the following operations: Word Program (32-bit), Double Word Program (64-bit) and Set Protection. |

5.4.7 Flash data register 1 low (FDR1L)

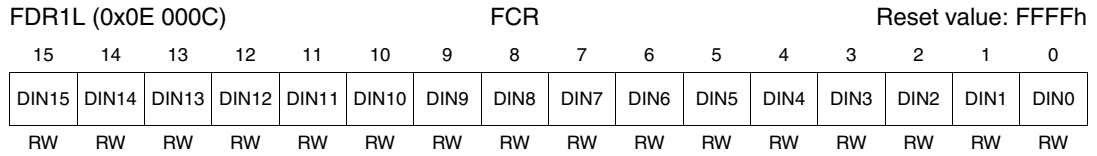


Table 14. FDR1L register description

| Bit | Name | Function |
|------|-----------|---|
| 15:0 | DIN[15:0] | Data input 15:0 These bits must be written with the Data to program in Flash during the following operations: Double Word Program (64-bit) and Set Protection. |

5.4.8 Flash data register 1 high (FDR1H)

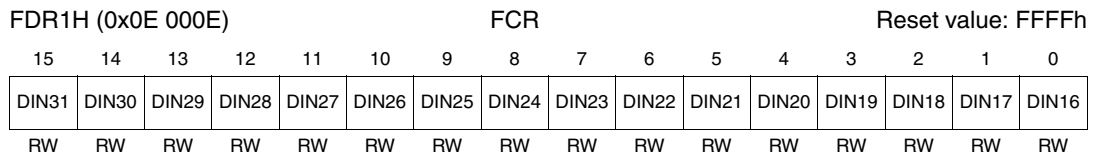


Table 15. FDR1H register description

| Bit | Name | Function |
|------|------------|--|
| 15:0 | DIN[31:16] | Data input 31:16 These bits must be written with the Data to program in Flash during the following operations: Double Word Program (64-bit) and Set Protection. |

5.4.9 Flash address register low (FARL)

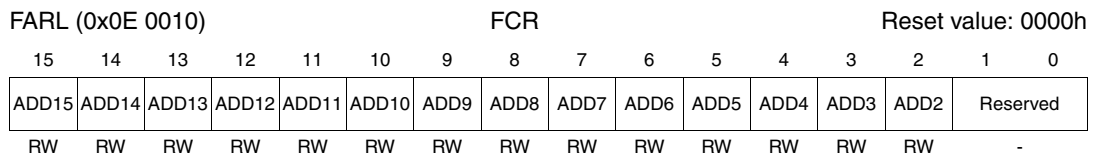


Table 16. FARL register description

| Bit | Name | Function |
|------|-----------|--|
| 15:2 | ADD[15:2] | Address 15:2 These bits must be written with the Address of the Flash location to program during the following operations: Word Program (32-bit) and Double Word Program (64-bit). In Double Word Program bit ADD2 must be written to '0'. |
| 1:0 | - | Reserved. These bits must be kept to their default value (0). |

5.4.10 Flash address register high (FARH)

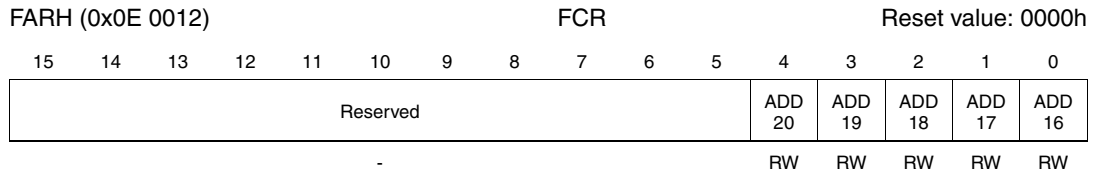


Table 17. FARH register description

| Bit | Name | Function |
|------|-----------------------|--|
| 4:0 | ADD20 ... ADD16 | Address 20:16 These bits must be written with the Address of the Flash location to program during the following operations: Word Program and Double Word Program. |
| 15:5 | - | Reserved. These bits must be kept to their default value (0). |

5.4.11 Flash error register (FER)

The Flash error register, as well as all the other Flash registers, can be read only once the LOCK bit of register FCR0L is low. Nevertheless, the FER content is updated after completion of the Flash operation, that is, when BSYx bits are reset. Therefore, the FER content can only be read once the LOCK and BSYx bits are cleared.

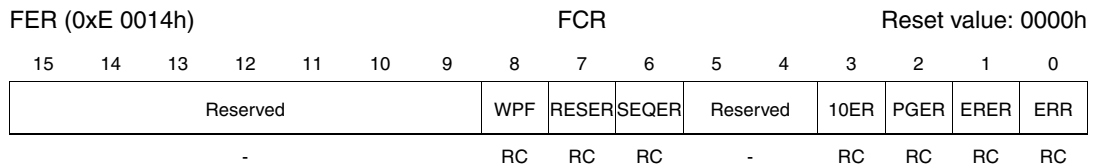


Table 18. FER register bits

| Bit | Name | Function |
|------|-------|--|
| 15:9 | - | Reserved. These bits must be kept to their default value (0). |
| 8 | WPF | Write protection flag This bit is automatically set when trying to program or erase in a sector write protected. In case of multiple Sector Erase, the not protected sectors are erased, while the protected sectors are not erased and bit WPF is set. This bit must be cleared by software. |
| 7 | RESER | Resume error This bit is automatically set when a suspended Program or Erase operation is not resumed correctly due to a protocol error. In this case the suspended operation is aborted. This bit must be cleared by software. |
| 6 | SEQER | Sequence error This bit is automatically set when the control registers (FCR1H/L-FCR0H/L, FARH/L, FDR1H/L-FDR0H/L) are not correctly filled to execute a valid Write Operation. In this case no Write Operation is executed. This bit must be cleared by software. |
| 5:4 | - | Reserved. These bits must be kept to their default value (0). |

Table 18. FER register bits (continued)

| Bit | Name | Function |
|-----|------|--|
| 3 | 10ER | 1 over 0 error This bit is automatically set when trying to program at 1 bits previously set at 0 (this does not happen when programming the Protection bits). This error is not due to a failure of the Flash cell, but only flags that the desired data has not been written. This bit must be cleared by software. |
| 2 | PGER | Program error This bit is automatically set when a Program error occurs during a Flash write operation. This error is due to a real failure of a Flash cell, that can no more be programmed. The word where this error occurred must be discarded. This bit must be cleared by software. |
| 1 | ERER | Erase error This bit is automatically set when an Erase error occurs during a Flash write operation. This error is due to a real failure of a Flash cell, that can no more be erased. This kind of error is fatal and the sector where it occurred must be discarded. This bit must be cleared by software. |
| 0 | ERR | Write error This bit is automatically set when an error occurs during a Flash write operation or when a bad write operation setup is done. Once the error has been discovered and understood, ERR bit must be cleared by software. |

5.4.12 XFlash interface control dummy register (XFICR)

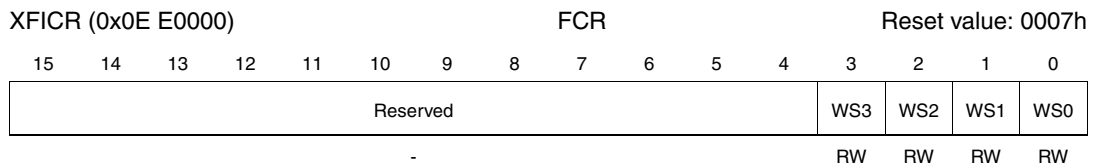


Table 19. XFlash interface control register

| Bit | Name | Function |
|------|-----------|---|
| 3:0 | WS3...WS0 | Dummy Wait States 3:0 In the ST10F273E, these bits were used to configure the number of wait-states to access the XFlash. As there is no XFlash on the Root part number 1, these bits have no effect. This register is implemented for software compatibility with the ST10F273E. |
| 15:4 | - | Reserved. These bits must be kept to their default value (0). |

5.5 Protection strategy

The protection bits are stored in Non-Volatile Flash cells that are read once at reset and stored in five Volatile registers. Before they are read from the Non-Volatile cells, all the available protections are forced active during reset.

Note: The protection bits in the Non-Volatile registers are programmable one time and this programming is permanent. Temporary unprotection will be handled with their Volatile equivalent.

The protections can be programmed using the Set Protection operation (see [Section 5.4: Flash control registers description](#)) that must be executed from the on-chip RAMs or from external memories.

Two kind of protections are available:

- write protections to avoid unwanted writings
- access protections to avoid piracy

The next sections show the different level of protections and highlight the architecture limitations.

5.5.1 Protection registers

The five Non-Volatile Protection Registers are one-time programmable for the user.

Two registers, FVWP1RL and FVWP1RH, are used to store the Write Protection fuses for each sector IFlash module. The other three registers (FNVAPR0 and FNVAPR1L/H) are used to store the Access Protection fuses.

Note: On-going protection operations are flagged with BSYNVR, bit 1 of FCR0L register.

5.5.2 Flash non-volatile write protection I register low (FNVWP1RL)

| | | | | | | | | | | | | | | | |
|----------------------|----|----|----|-------|-------|------|------|-----------------------|------|------|------|------|------|------|------|
| FNVWP1RL (0x0E DFB4) | | | | NVR | | | | Delivery value: FFFFh | | | | | | | |
| 15 | 14 | 13 | 12 | 11 | 10 | 9 | 8 | 7 | 6 | 5 | 4 | 3 | 2 | 1 | 0 |
| Reserved | | | | WOP11 | WOP10 | WOP9 | WOP8 | WOP7 | WOP6 | WOP5 | WOP4 | WOP3 | WOP2 | WOP1 | WOP0 |
| - | | | | RO | RO | RW | RW | RW | RW | RW | RW | RW | RW | RW | RW |

Table 20. FNVWP1RL register bits

| Bit | Name | Function |
|-------|---------------------|--|
| 15:12 | - | Reserved. These bits must be left to their default value '1' when programming PVWP1RL. |
| 11:10 | WOP11 WOP10 | Read-Only for Write protection Bank0 sectors 11 and 10 These bits must be left to their default value '1' when programming FVWP1RL (they can not be used to set write protection on sectors B0F11 and B0F10). After a protection command, these bits will reflect the value of bit 0 and 1 of FVWP1RH register (WOP11 and WOP10). |
| 9:0 | WOP9 ... WOP0 | Write protection bank 0 / sectors 9-0 These bits, if programmed at 0, disable any write access to the sectors of Bank 0 (IFlash). |

5.5.3 Flash non-volatile write protection I register high (FNVWPIRH)

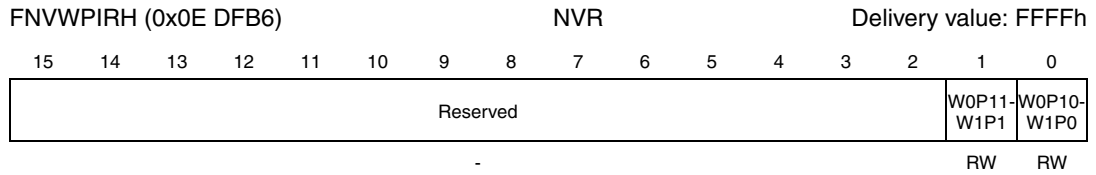
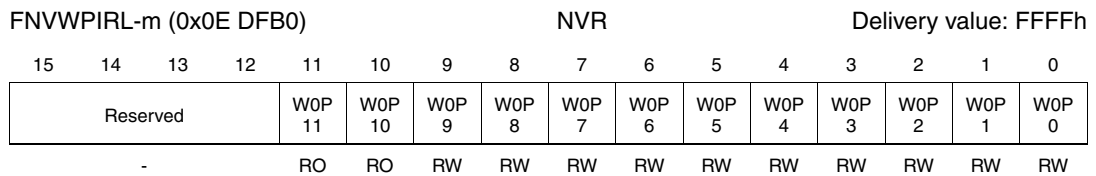


Table 21. FNVWPIRH register bits

| Bit | Name | Function |
|------|--------------------------|--|
| 15:2 | - | Reserved. These bits must be left to their default value '1'. |
| 1:0 | W0P11/W1P1 W0P10/W1P0 | Write protection Bank0 - sectors 11:10 / Write protection Bank1 - sectors 1:0 These bits, if programmed at 0, disable any write access to the selected sectors. |

5.5.4 Flash non-volatile write protection I register low Mirror (FNVWPIRL-m)

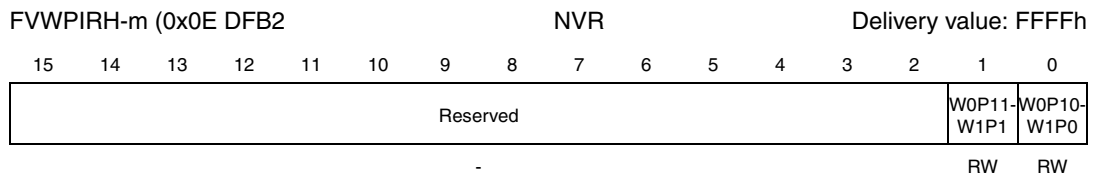


This register is mirroring the register at FVWPIRL (address 0x0E DFB4). It is intended to maintain software compatibility with the ST10F273E.

In applications ported from a ST10F273E, FVWPIRL-m register (address 0x0E DFB0) must be used to maintain the existing Flash drivers.

In applications ported from a ST10F272x, FVWPIRL register (address 0x0E DFB4) must be used to maintain existing drivers.

5.5.5 Flash non-volatile write protection I register high Mirror (FVWPIRH-m)



This register is mirroring the register at FVWPIRH (address 0x0E DFB6). It is intended to maintain software compatibility with the ST10F273E.

In applications ported from a ST10F273E, FVWPIRH-m register (address 0x0E DFB2) must be used to maintain the existing Flash drivers.

In applications ported from a ST10F272x, FVWPIRH register (address 0x0E DFB6) must be used to maintain existing drivers.

5.5.6 Flash non-volatile access protection register 0 (FNVAPR0)

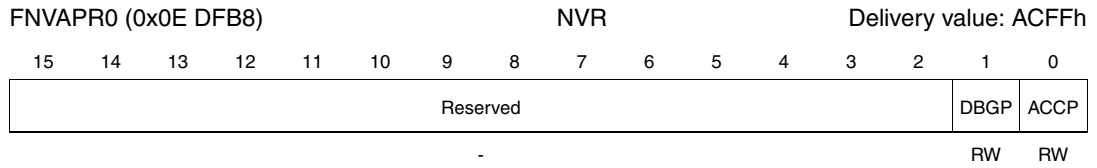


Table 22. FNVAPR0 register bits

| Bit | Name | Description |
|------|------|---|
| 15:2 | - | Reserved. These bits must be left to their default value. |
| 1 | DBGP | Debug protection This bit, if erased at 1, allows to bypass all the protections using the Debug features through the Test Interface. If programmed at 0, on the contrary, all the debug features, the Test Interface and all the Flash Test modes are disabled. Even STMicroelectronics will not be able to access the device to run any eventual failure analysis. |
| 0 | ACCP | Access protection This bit, if programmed at 0, disables any access (read/write) to data mapped inside IFlash Module address space, unless the current instruction is fetched from IFlash. |

5.5.7 Flash non-volatile access protection register 1 low (FNVAPR1L)

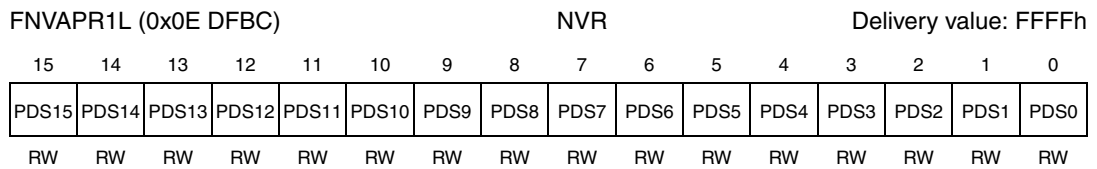


Table 23. FNVAPR1L register bits

| Bit | Name | Function |
|------|----------------------|--|
| 15:0 | PDS15 ... PDS0 | Protections disable15-0 If bit PDSx is programmed at 0 and bit PENx is erased at 1, the action of bit ACCP is disabled. Bit PDS0 can be programmed at 0 only if both bits DBGP and ACCP have already been programmed at 0. Bit PDSx can be programmed at 0 only if bit PENx-1 has already been programmed at 0. |

5.5.8 Flash non-volatile access protection register 1 high (FNVAPR1H)

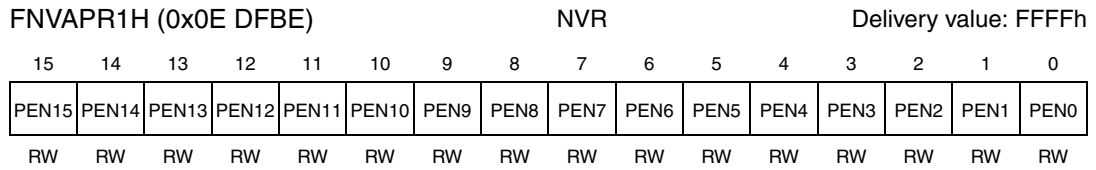


Table 24. FNVAPR1H register bits

| Bit | Name | Function |
|------|----------------------|--|
| 15:0 | PEN15 ... PEN0 | Protections enable 15-0 If bit PENx is programmed at 0 and bit PDSx+1 is erased at 1, the action of bit ACCP is enabled again. Bit PENx can be programmed at 0 only if bit PDSx has already been programmed at 0. |

5.5.9 Access protection

The IFlash module has one level of access protection (access to data both in Reading and Writing): If bit ACCP of FNVAPR0 is programmed at 0, the IFlash module becomes access protected, meaning data in the IFlash module can be read only if the current execution is from the IFlash module itself.

Protection can be permanently disabled by programming bit PDS0 of FNVAPR1H (user operation before returning parts to STMicroelectronics for analysis). Protection can be permanently enabled again by programming bit PEN0 of FNVAPR1L. The action to disable and enable again Access Protections in a permanent way can be executed a maximum of 16 times.

Trying to write into the access protected Flash from internal RAM or external memories will be unsuccessful. Trying to read into the access protected Flash from internal RAM or external memories will output a dummy data (software trap 009Bh).

When the Flash module is protected in access, data access through PEC of a peripheral is also forbidden. To read/write data in PEC mode from/to a protected Bank, it is necessary to first temporarily unprotect the Flash module.

The following table summarizes all possible Access Protection levels: In particular, it shows what is possible and not possible to do when fetching from a memory (see fetch location column) supposing all possible access protections are enabled.

Table 25. Summary of access protection level

| Fetch location | Read IFlash / Jump to IFlash | Read XRAM or external memory / Jump to XRAM or external memory | Read Flash registers | Write Flash registers |
|-------------------------------|------------------------------|--|----------------------|-----------------------|
| Fetching from IFlash | Yes / Yes | Yes / Yes | Yes | Yes |
| Fetching from IRAM | No / Yes | Yes / Yes | Yes | No |
| Fetching from XRAM | No / Yes | Yes / Yes | Yes | No |
| Fetching from external memory | No / Yes | Yes / Yes | Yes | No |

5.5.10 Write protection

The Flash modules have one level of Write Protections: Each sector can be Software Write Protected by programming at 0 the related bit WyPx in FNVWPIRL/H register.

5.5.11 Temporary unprotection

Bits WyPx of FNVWPIRL/H can be temporarily unprotected by executing the Set Protection operation and writing 1 into these bits.

Bit ACCP can be temporarily unprotected by executing the Set Protection operation and writing are executed from IFlash.

To restore the write access protection bits it is necessary to reset the microcontroller or to execute a Set Protection operation and write 0 into the desired bits.

In reality, when a temporary unprotection operation is executed, the corresponding volatile register is written to 1, while the non-volatile registers bits previously written to 0 (for a protection set operation), will continue to maintain the 0. For this reason, the user software must be in charge to track the current protection status (for instance using a specific RAM area), it is not possible to deduce it by reading the non-volatile register content (a temporary unprotection cannot be detected).

5.6 Write operation examples

In the following, examples for each kind of Flash write operation are presented.

The examples are showing the sequence of instructions needed to start an operation. Write operations should be followed by a status check (FER register).

Note: After a write operation has started, the Flash control registers are not accessible for a short time. The LOCK bit, bit 4 of FCR0L register, must be polled in order to know when the Flash control registers can be accessed again (LOCK = '1': no access to Flash control registers). Write operation on IBus registers is 16 bits wide.

Word program

Example: 32-bit Word Program of data 0xAAAAAAAA at address 0x025554

```
FCR0H |= 0x2000;      /*Set WPG in FCR0H*/
FARL  = 0x5554;      /*Load Add in FARL*/
FARH  = 0x0002;      /*Load Add in FARH*/
FDR0L = 0xAAAA;      /*Load Data in FDR0L*/
FDR0H = 0xAAAA;      /*Load Data in FDR0H*/
FCR0H |= 0x8000;      /*Operation start*/
```

Double word program

Example: Double Word Program (64-bit) of data 0x55AA55AA at address 0x035558 and data 0xAA55AA55 at address 0x03555C.

```
FCR0H |= 0x1000;      /*Set DWPG in FCR0H*/
FARL  = 0x5558;      /*Load Add in FARL*/
FARH  = 0x0003;      /*Load Add in FARH*/
FDR0L = 0x55AA;      /*Load Data in FDR0L*/
```

```

FDR0H   = 0x55AA;           /*Load Data in FDR0H*/
FDR1L   = 0xAA55;           /*Load Data in FDR1L*/
FDR1H   = 0xAA55;           /*Load Data in FDR1H*/
FCR0H   |= 0x8000;          /*Operation start*/

```

Double Word Program is always performed on the Double Word aligned on an even Word: bit ADD2 of FARL is ignored.

Sector erase

Example: Sector Erase of sectors B0F1 and B0F0 of Bank 0.

```

FCR0H   |= 0x0800;          /*Set SER in FCR0H*/
FCR1L   |= 0x0003;          /*Set B0F1, B0F0*/
FCR0H   |= 0x8000;          /*Operation start*/

```

Suspend and resume

Word Program, Double Word Program, and Sector Erase operations can be suspended in the following way:

```

FCR0H   |= 0x4000;          /*Set SUSP in FCR0H*/

```

Then the operation can be resumed in the following way:

```

FCR0H   |= 0x0800;          /*Set SER in FCR0H*/
FCR0H   |= 0x8000;          /*Operation resume*/

```

Before resuming a suspended Erase, FCR1H/FCR1L must be read to check if the Erase is already completed (FCR1H = FCR1L = 0x0000 if Erase is complete). Original setup of Select Operation bits in FCR0H/L must be restored before the operation resume, otherwise the operation is aborted and bit RESER of FER is set.

Set protection

Example 1: Enable Write Protection of sectors B0F3-0 of Bank 0.

```

FCR0H   |= 0x0100;          /*Set SPR in FCR0H*/
FARL    = 0xDFB4;           /*Load Add of register FNVWPIR in FARL*/
FARH    = 0x000E;           /*Load Add of register FNVWPIR in FARH*/
FDR0L   = 0xFFFF0;         /*Load Data in FDR0L*/
FDR0H   = 0xFFFFF;         /*Load Data in FDR0H*/
FCR0H   |= 0x8000;          /*Operation start*/

```

Example 2: Enable Access and Debug Protection.

```

FCR0H   |= 0x0100;          /*Set SPR in FCR0H*/
FARL    = 0xDFB8;           /*Load Add of register FNVAPR0 in FARL*/
FARH    = 0x000E;           /*Load Add of register FNVAPR0 in FARH*/
FDR0L   = 0xFFFC;          /*Load Data in FDR0L*/
FCR0H   |= 0x8000;          /*Operation start*/

```

Example 3: Disable in a permanent way Access and Debug Protection.

```

FCR0H   |= 0x0100;          /*Set SPR in FCR0H*/
FCR0H   |= 0x0100;          /*Set SPR in FCR0H*/
FARL    = 0xDFBC;           /*Load Add of register FNVAPR1L in FARL*/
FARH    = 0x000E;           /*Load Add of register FNVAPR1L in FARH*/

```

```
FDR0L      = 0xFFFE;      /*Load Data in FDR0L for clearing PDS0*/
FCR0H      |= 0x8000;     /*Operation start*/
```

Example 4: Enable again in a permanent way Access and Debug Protection, after having disabled them.

```
FCR0H|= 0x0100;         /*Set SPR in FCR0H*/
FARL      = 0xDFBC;     /*Load Add register FNVAPR1H in FARL*/
FARH      = 0x000E;     /*Load Add register FNVAPR1H in FARH*/
FDR0H     = 0xFFFE;     /*Load Data in FDR0H to clear PEN0*/
FCR0H|= 0x8000;         /*Operation start*/
```

Disable and re-enable of Access and Debug Protection in a permanent way (as shown by examples 3 and 4) can be done for a maximum of 16 times.

5.7 Write operation summary

In general, each write operation is started through a sequence of three steps:

1. The first instruction is used to select the desired operation by setting its corresponding selection bit in the Flash Control Register 0.
2. The second step is the definition of the Address and Data for programming or the sectors to erase.
3. The last instruction is used to start the write operation, by setting the start bit WMS in the FCR0. This last instruction must not be executed from Flash.

Once selected, but not yet started, one operation can be canceled by resetting the operation selection bit.

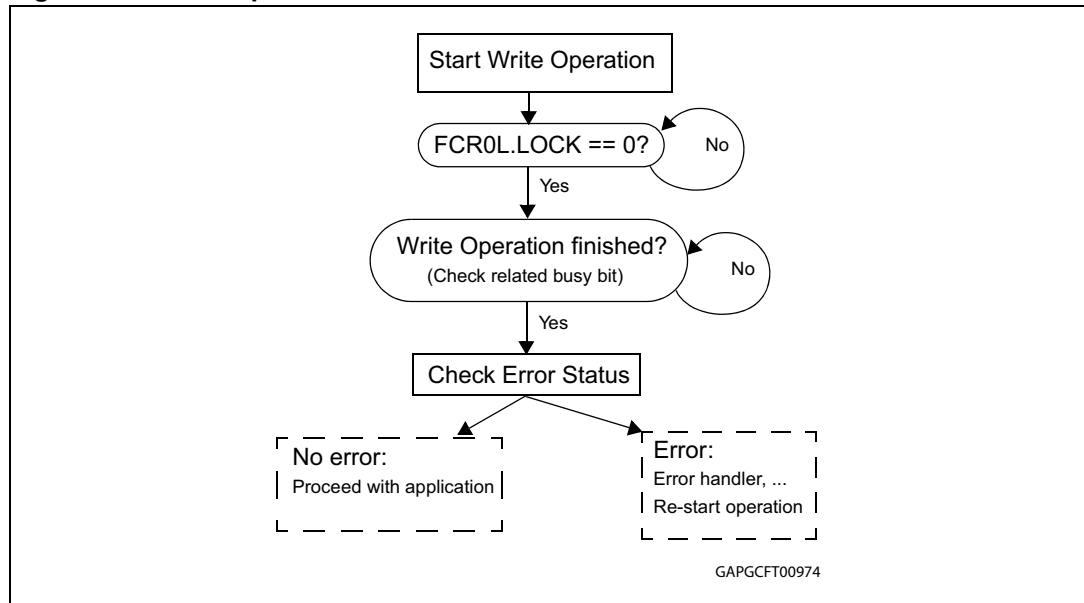
Available Flash Module Write Operations are summarized in the following [Table 26](#).

Table 26. Flash write operations

| Operation | Select bit | Address and data | Start bit |
|------------------------------|------------|---|-----------|
| Word program (32-bit) | WPG | FARL/FARH FDR0L/FDR0H | WMS |
| Double word program (64-bit) | DWPG | FARL/FARH FDR0L/FDR0H FDR1L/FDR1H | |
| Sector erase | SER | FCR1L/FCR1H | |
| Set protection | SPR | FDR0L/FDR0H | |
| Program/erase suspend | SUSP | None | None |

[Figure 7](#) shows the complete flow needed for a Write operation.

Figure 7. Write operation control flow



6 Bootstrap loader

The ST10F273M implements Boot capabilities in order to:

- Support bootstrap via UART or bootstrap via CAN for the standard bootstrap
- Support a Selective Bootstrap Loader, to manage the bootstrap sequence in a different way

6.1 Selection among user-code, standard or selective bootstrap

The boot modes are triggered with a special combination set on Port0L[5...4]. Those signals, as other configuration signals, are latched on the rising edge of $\overline{\text{RSTIN}}$ pin.

- Decoding of reset configuration (POL.5 = 1, POL.4 = 1) selects the normal mode (also called User mode) and selects the user Flash to be mapped from address 00'0000h.
- Decoding of reset configuration (POL.5 = 1, POL.4 = 0) selects ST10 standard bootstrap mode (Test-Flash is active and overlaps user Flash for code fetches from address 00'0000h; user Flash is active and available for read accesses).
- Decoding of reset configuration (POL.5 = 0, POL.4 = 1) activates additional verifications to select which bootstrap software to execute:
 - if the User mode signature in the User Flash is programmed correctly, then a software reset sequence is selected and the User code is executed;
 - if the User mode signature is not programmed correctly in the user Flash, then the User key location is read again. Its value determines which communication channel will be enabled for bootstrapping.

Table 27. ST10F273M boot mode selection

| P0.5 | P0.4 | ST10 decoding |
|------|------|---|
| 1 | 1 | User mode: User Flash mapped at 00'0000h |
| 1 | 0 | Standard Bootstrap Loader: User Flash mapped from 00'0000h, code fetches redirected to Test-Flash at 00'0000h |
| 0 | 1 | Selective Boot mode: User Flash mapped from 00'0000h, code fetches redirected to Test-Flash at 00'0000h (different sequence execution compared to Standard Bootstrap Loader) |
| 0 | 0 | Reserved |

6.2 Standard bootstrap loader

After entering the standard BSL mode and the respective initialization, the ST10F273M scans the RxD0 line and the CAN1_RxD line to receive either a valid dominant bit from the CAN interface or a start condition from the UART line.

Start condition on UART RxD: ST10F273M starts standard bootstrap loader. This bootstrap loader is identical to that of other ST10 devices (example: ST10F269, ST10F168).

Valid dominant bit on CAN1 RxD: ST10F273M start bootstrapping via CAN1.

Caution: As both UART_RxD and CAN1_RxD lines are polled to detect a start of communication, ensure a stable level on the unused channel by adding a pull-up resistor.

6.3 Alternate and selective boot mode (ABM and SBM)

6.3.1 Activation of the ABM and SBM

Alternate boot is activated with the combination '01' on Port0L[5..4] at the rising edge of $\overline{\text{RSTIN}}$.

6.3.2 User mode signature integrity check

The behavior of the Selective Boot mode is based on the computing of a signature between the content of two memory locations and a comparison with a reference signature. This requires that users who use Selective Boot have reserved and programmed the Flash memory locations.

6.3.3 Selective boot mode

When the user signature is not correct, instead of executing the Standard Bootstrap Loader (triggered by P0L.4 low at reset), additional check is made.

Depending on the value at the User key location, the following behavior occurs:

- A jump is performed to the Standard Bootstrap Loader
- Only UART is enabled for bootstrapping
- Only CAN1 is enabled for bootstrapping
- The device enters an infinite loop

7 Central processing unit (CPU)

The CPU includes a 4-stage instruction pipeline, a 16-bit arithmetic and logic unit (ALU) and dedicated SFRs. Additional hardware has been added for a separate multiply and divide unit, a bit-mask generator and a barrel shifter.

Most of the ST10F273M's instructions can be executed in one instruction cycle which requires 50ns at 40 MHz CPU clock. For example, shift and rotate instructions are processed in one instruction cycle independent of the number of bits to be shifted.

Multiple-cycle instructions have been optimized: branches are carried out in 2 cycles, 16 x 16-bit multiplication in 5 cycles and a 32-/16-bit division in 10 cycles.

The jump cache reduces the execution time of repeatedly performed jumps in a loop, from 2 cycles to 1 cycle.

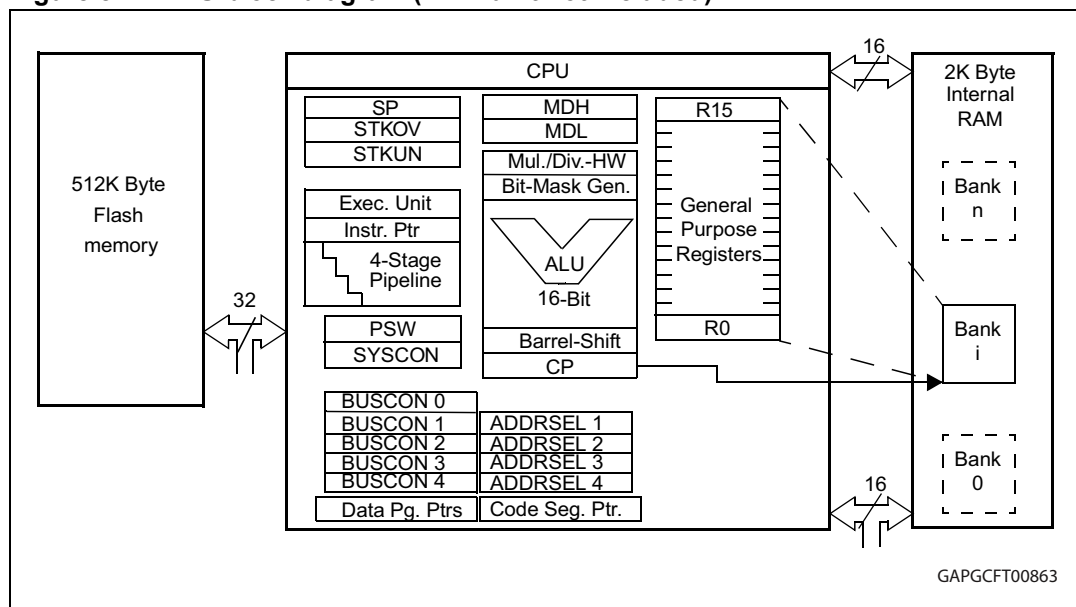
The CPU uses a bank of 16 word registers to run the current context. This bank of General Purpose Registers (GPR) is physically stored within the on-chip Internal RAM (IRAM) area. A Context Pointer (CP) register determines the base address of the active register bank to be accessed by the CPU.

The number of register banks is only restricted by the available Internal RAM space. For easy parameter passing, a register bank may overlap others.

A system stack of up to 2048 bytes is provided as a storage for temporary data. The system stack is allocated in the on-chip RAM area, and it is accessed by the CPU via the stack pointer (SP) register.

Two separate SFRs, STKOV and STKUN, are implicitly compared against the stack pointer value upon each stack access for the detection of a stack overflow or underflow.

Figure 8. CPU block diagram (MAC unit not included)



7.1 Multiplier-accumulator unit (MAC)

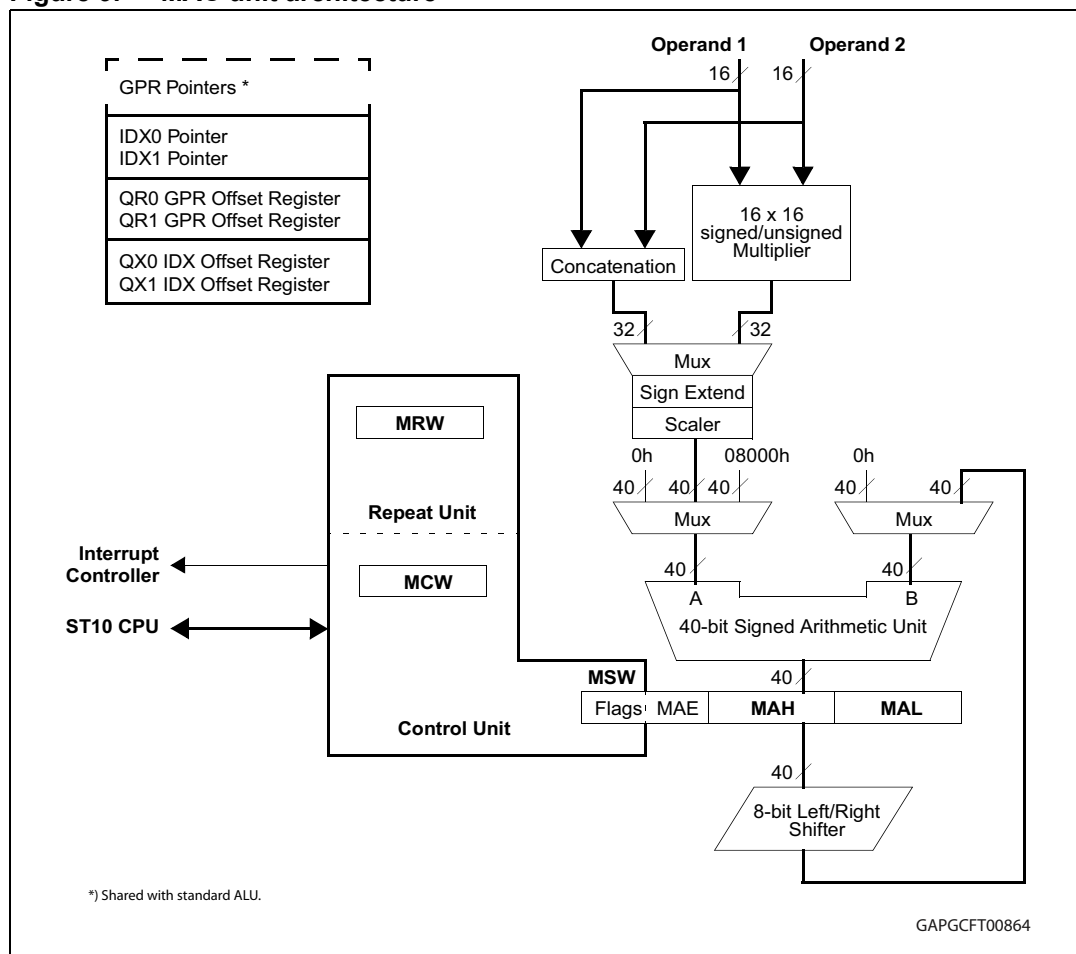
The MAC co-processor is a specialized co-processor added to the ST10 CPU Core in order to improve the performances of the ST10 Family in signal processing algorithms.

The standard ST10 CPU has been modified to include new addressing capabilities which enable the CPU to supply the new co-processor with up to 2 operands per instruction cycle.

This new co-processor (so-called MAC) contains a fast multiply-accumulate unit and a repeat unit.

The co-processor instructions extend the ST10 CPU instruction set with multiply, multiply-accumulate, 32-bit signed arithmetic operations.

Figure 9. MAC unit architecture



7.2 Instruction set summary

Table 28 lists the instructions of the ST10F273M. The detailed description of each instruction can be found in the *ST10 Family Programming Manual*.

Table 28. Standard instruction set summary

| Mnemonic | Description | Bytes |
|------------------|---|-------|
| ADD(B) | Add word (byte) operands | 2 / 4 |
| ADDC(B) | Add word (byte) operands with Carry | 2 / 4 |
| SUB(B) | Subtract word (byte) operands | 2 / 4 |
| SUBC(B) | Subtract word (byte) operands with Carry | 2 / 4 |
| MUL(U) | (Un)Signed multiply direct GPR by direct GPR (16-/16-bit) | 2 |
| DIV(U) | (Un)Signed divide register MDL by direct GPR (16-/16-bit) | 2 |
| DIVL(U) | (Un)Signed long divide reg. MD by direct GPR (32-/16-bit) | 2 |
| CPL(B) | Complement direct word (byte) GPR | 2 |
| NEG(B) | Negate direct word (byte) GPR | 2 |
| AND(B) | Bitwise AND, (word/byte operands) | 2 / 4 |
| OR(B) | Bitwise OR, (word/byte operands) | 2 / 4 |
| XOR(B) | Bitwise XOR, (word/byte operands) | 2 / 4 |
| BCLR | Clear direct bit | 2 |
| BSET | Set direct bit | 2 |
| BMOV(N) | Move (negated) direct bit to direct bit | 4 |
| BAND, BOR, BXOR | AND/OR/XOR direct bit with direct bit | 4 |
| BCMP | Compare direct bit to direct bit | 4 |
| BFLDH/L | Bitwise modify masked high/low byte of bit-addressable direct word memory with immediate data | 4 |
| CMP(B) | Compare word (byte) operands | 2 / 4 |
| CMPD1/2 | Compare word data to GPR and decrement GPR by 1/2 | 2 / 4 |
| CMP11/2 | Compare word data to GPR and increment GPR by 1/2 | 2 / 4 |
| PRIOR | Determine number of shift cycles to normalize direct word GPR and store result in direct word GPR | 2 |
| SHL / SHR | Shift left/right direct word GPR | 2 |
| ROL / ROR | Rotate left/right direct word GPR | 2 |
| ASHR | Arithmetic (sign bit) shift right direct word GPR | 2 |
| MOV(B) | Move word (byte) data | 2 / 4 |
| MOVBS | Move byte operand to word operand with sign extension | 2 / 4 |
| MOVBSZ | Move byte operand to word operand with zero extension | 2 / 4 |
| JMPA, JMPI, JMPR | Jump absolute/indirect/relative if condition is met | 4 |
| JMPS | Jump absolute to a code segment | 4 |

Table 28. Standard instruction set summary (continued)

| Mnemonic | Description | Bytes |
|------------------------|---|-------|
| J(N)B | Jump relative if direct bit is (not) set | 4 |
| JBC | Jump relative and clear bit if direct bit is set | 4 |
| JNBS | Jump relative and set bit if direct bit is not set | 4 |
| CALLA, CALLI, CALLR | Call absolute/indirect/relative subroutine if condition is met | 4 |
| CALLS | Call absolute subroutine in any code segment | 4 |
| PCALL | Push direct word register onto system stack and call absolute subroutine | 4 |
| TRAP | Call interrupt service routine via immediate trap number | 2 |
| PUSH, POP | Push/pop direct word register onto/from system stack | 2 |
| SCXT | Push direct word register onto system stack and update register with word operand | 4 |
| RET | Return from intra-segment subroutine | 2 |
| RETS | Return from inter-segment subroutine | 2 |
| RETP | Return from intra-segment subroutine and pop direct word register from system stack | 2 |
| RETI | Return from interrupt service subroutine | 2 |
| SRST | Software Reset | 4 |
| IDLE | Enter Idle mode | 4 |
| PWRDN | Enter Power-down mode (supposes $\overline{\text{NMI}}$ -pin being low) | 4 |
| SRVWDT | Service Watchdog Timer | 4 |
| DISWDT | Disable Watchdog Timer | 4 |
| EINIT | Signify End-of-Initialization on RSTOUT-pin | 4 |
| ATOMIC | Begin ATOMIC sequence | 2 |
| EXTR | Begin EXTended Register sequence | 2 |
| EXTP(R) | Begin EXTended Page (and Register) sequence | 2 / 4 |
| EXTS(R) | Begin EXTended Segment (and Register) sequence | 2 / 4 |
| NOP | Null operation | 2 |

7.3 MAC co-processor specific instructions

Table 29 lists the MAC instructions of the ST10F273M. The detailed description of each instruction can be found in the *ST10 Family Programming Manual*. Note that all MAC instructions are encoded on 4 bytes.

Table 29. MAC instruction set summary

| Mnemonic | Description |
|----------------------|--|
| CoABS | Absolute value of the accumulator |
| CoADD(2) | Addition |
| CoASHR(rnd) | Accumulator arithmetic shift right & optional round |
| CoCMP | Compare accumulator with operands |
| CoLOAD(-,2) | Load accumulator with operands |
| CoMAC(R,u,s,-,rnd) | (Un)signed/(Un)Signed Multiply-Accumulate & Optional Round |
| CoMACM(R)(u,s,-,rnd) | (Un)Signed/(Un)signed multiply-accumulate with parallel data move & optional round |
| CoMAX / CoMIN | maximum / minimum of operands and accumulator |
| CoMOV | Memory to memory move |
| CoMUL(u,s,-,rnd) | (Un)signed/(Un)signed multiply & optional round |
| CoNEG(rnd) | Negate accumulator & optional round |
| CoNOP | No-operation |
| CoRND | Round accumulator |
| CoSHL / CoSHR | Accumulator logical shift left / right |
| CoSTORE | Store a MAC unit register |
| CoSUB(2,R) | Subtraction |

8 External bus controller

All of the external memory accesses are performed by the on-chip external bus controller.

The EBC can be programmed to single chip mode when no external memory is required, or to one of four different external memory access modes:

- 16- / 18- / 20- / 24-bit addresses and 16-bit data, demultiplexed
- 16- / 18- / 20- / 24-bit addresses and 16-bit data, multiplexed
- 16- / 18- / 20- / 24-bit addresses and 8-bit data, multiplexed
- 16- / 18- / 20- / 24-bit addresses and 8-bit data, demultiplexed

In demultiplexed bus modes addresses are output on PORT1 and data is input / output on PORT0 or P0L, respectively. In the multiplexed bus modes both addresses and data use PORT0 for input / output.

Timing characteristics of the external bus interface (memory cycle time, memory tri-state time, length of ALE and read / write delay) are programmable giving the choice of a wide range of memories and external peripherals.

Up to four independent address windows may be defined (using register pairs ADDRSELx / BUSCONx) to access different resources and bus characteristics.

These address windows are arranged hierarchically where BUSCON4 overrides BUSCON3 and BUSCON2 overrides BUSCON1.

All accesses to locations not covered by these four address windows are controlled by BUSCON0. Up to five external \overline{CS} signals (four windows plus default) can be generated in order to save external glue logic. Access to very slow memories is supported by a 'Ready' function.

A \overline{HOLD} / \overline{HLDA} protocol is available for bus arbitration which shares external resources with other bus masters.

The bus arbitration is enabled by setting bit HLDEN in register PSW. After setting HLDEN once, pins P6.7...P6.5 (\overline{BREQ} , \overline{HLDA} , \overline{HOLD}) are automatically controlled by the EBC. In master mode (default after reset) the \overline{HLDA} pin is an output. By setting bit DP6.7 to '1' the slave mode is selected where pin \overline{HLDA} is switched to input. This directly connects the slave controller to another master controller without glue logic.

For applications which require less external memory space, the address space can be restricted to 1 Mbyte, 256 Kbytes or to 64 Kbytes. Port 4 outputs all eight address lines if an address space of 16 Mbytes is used, otherwise four, two or no address lines.

Chip select timing can be made programmable. By default (after reset), the \overline{CSx} lines change half a CPU clock cycle after the rising edge of ALE. With the CSCFG bit set in the SYSCON register the \overline{CSx} lines change with the rising edge of ALE.

The active level of the READY pin can be set by bit RDYPOL in the BUSCONx registers. When the READY function is enabled for a specific address window, each bus cycle within the window must be terminated with the active level defined by bit RDYPOL in the associated BUSCON register.

9 Interrupt system

The interrupt response time for internal program execution is from 125ns to 300ns at 40 MHz CPU clock.

The ST10F273M architecture supports several mechanisms for fast and flexible response to service requests that can be generated from various sources (internal or external) to the microcontroller. Any of these interrupt requests can be serviced by the Interrupt Controller or by the Peripheral Event Controller (PEC).

In contrast to a standard interrupt service where the current program execution is suspended and a branch to the interrupt vector table is performed, just one cycle is 'stolen' from the current CPU activity to perform a PEC service. A PEC service implies a single Byte or Word data transfer between any two memory locations with an additional increment of either the PEC source or destination pointer. An individual PEC transfer counter is implicitly decremented for each PEC service except when performing in the continuous transfer mode. When this counter reaches zero, a standard interrupt is performed to the corresponding source related vector location. PEC services are very well suited to perform the transmission or the reception of blocks of data. The ST10F273M has eight PEC channels, each of them offers such fast interrupt-driven data transfer capabilities.

An interrupt control register which contains an interrupt request flag, an interrupt enable flag and an interrupt priority bit-field is dedicated to each existing interrupt source. Thanks to its related register, each source can be programmed to one of sixteen interrupt priority levels. Once starting to be processed by the CPU, an interrupt service can only be interrupted by a higher prioritized service request. For the standard interrupt processing, each of the possible interrupt sources has a dedicated vector location.

Software interrupts are supported by means of the 'TRAP' instruction in combination with an individual trap (interrupt) number.

Fast external interrupt inputs are provided to service external interrupts with high precision requirements. These fast interrupt inputs feature programmable edge detection (rising edge, falling edge or both edges).

Fast external interrupts may also have interrupt sources selected from other peripherals; for example the CANx controller receive signals (CANx_RxD) and I²C serial clock signal can be used to interrupt the system.

[Table 30](#) shows all the available ST10F273M interrupt sources and the corresponding hardware-related interrupt flags, vectors, vector locations and trap (interrupt) numbers.

Table 30. Interrupt sources

| Source of interrupt or PEC service request | Request flag | Enable flag | Interrupt vector | Vector location | Trap number |
|--|--------------|-------------|------------------|-----------------|-------------|
| CAPCOM Register 0 | CC0IR | CC0IE | CC0INT | 00'0040h | 10h |
| CAPCOM Register 1 | CC1IR | CC1IE | CC1INT | 00'0044h | 11h |
| CAPCOM Register 2 | CC2IR | CC2IE | CC2INT | 00'0048h | 12h |
| CAPCOM Register 3 | CC3IR | CC3IE | CC3INT | 00'004Ch | 13h |
| CAPCOM Register 4 | CC4IR | CC4IE | CC4INT | 00'0050h | 14h |
| CAPCOM Register 5 | CC5IR | CC5IE | CC5INT | 00'0054h | 15h |

Table 30. Interrupt sources (continued)

| Source of interrupt or PEC service request | Request flag | Enable flag | Interrupt vector | Vector location | Trap number |
|--|--------------|-------------|------------------|-----------------|-------------|
| CAPCOM Register 6 | CC6IR | CC6IE | CC6INT | 00'0058h | 16h |
| CAPCOM Register 7 | CC7IR | CC7IE | CC7INT | 00'005Ch | 17h |
| CAPCOM Register 8 | CC8IR | CC8IE | CC8INT | 00'0060h | 18h |
| CAPCOM Register 9 | CC9IR | CC9IE | CC9INT | 00'0064h | 19h |
| CAPCOM Register 10 | CC10IR | CC10IE | CC10INT | 00'0068h | 1Ah |
| CAPCOM Register 11 | CC11IR | CC11IE | CC11INT | 00'006Ch | 1Bh |
| CAPCOM Register 12 | CC12IR | CC12IE | CC12INT | 00'0070h | 1Ch |
| CAPCOM Register 13 | CC13IR | CC13IE | CC13INT | 00'0074h | 1Dh |
| CAPCOM Register 14 | CC14IR | CC14IE | CC14INT | 00'0078h | 1Eh |
| CAPCOM Register 15 | CC15IR | CC15IE | CC15INT | 00'007Ch | 1Fh |
| CAPCOM Register 16 | CC16IR | CC16IE | CC16INT | 00'00C0h | 30h |
| CAPCOM Register 17 | CC17IR | CC17IE | CC17INT | 00'00C4h | 31h |
| CAPCOM Register 18 | CC18IR | CC18IE | CC18INT | 00'00C8h | 32h |
| CAPCOM Register 19 | CC19IR | CC19IE | CC19INT | 00'00CCh | 33h |
| CAPCOM Register 20 | CC20IR | CC20IE | CC20INT | 00'00D0h | 34h |
| CAPCOM Register 21 | CC21IR | CC21IE | CC21INT | 00'00D4h | 35h |
| CAPCOM Register 22 | CC22IR | CC22IE | CC22INT | 00'00D8h | 36h |
| CAPCOM Register 23 | CC23IR | CC23IE | CC23INT | 00'00DCh | 37h |
| CAPCOM Register 24 | CC24IR | CC24IE | CC24INT | 00'00E0h | 38h |
| CAPCOM Register 25 | CC25IR | CC25IE | CC25INT | 00'00E4h | 39h |
| CAPCOM Register 26 | CC26IR | CC26IE | CC26INT | 00'00E8h | 3Ah |
| CAPCOM Register 27 | CC27IR | CC27IE | CC27INT | 00'00ECh | 3Bh |
| CAPCOM Register 28 | CC28IR | CC28IE | CC28INT | 00'00F0h | 3Ch |
| CAPCOM Register 29 | CC29IR | CC29IE | CC29INT | 00'0110h | 44h |
| CAPCOM Register 30 | CC30IR | CC30IE | CC30INT | 00'0114h | 45h |
| CAPCOM Register 31 | CC31IR | CC31IE | CC31INT | 00'0118h | 46h |
| CAPCOM Timer 0 | T0IR | T0IE | T0INT | 00'0080h | 20h |
| CAPCOM Timer 1 | T1IR | T1IE | T1INT | 00'0084h | 21h |
| CAPCOM Timer 7 | T7IR | T7IE | T7INT | 00'00F4h | 3Dh |
| CAPCOM Timer 8 | T8IR | T8IE | T8INT | 00'00F8h | 3Eh |
| GPT1Timer 2 | T2IR | T2IE | T2INT | 00'0088h | 22h |
| GPT1 Timer 3 | T3IR | T3IE | T3INT | 00'008Ch | 23h |
| GPT1 Timer 4 | T4IR | T4IE | T4INT | 00'0090h | 24h |
| GPT2Timer 5 | T5IR | T5IE | T5INT | 00'0094h | 25h |

Table 30. Interrupt sources (continued)

| Source of interrupt or PEC service request | Request flag | Enable flag | Interrupt vector | Vector location | Trap number |
|--|--------------|-------------|------------------|-----------------|-------------|
| GPT2 Timer 6 | T6IR | T6IE | T6INT | 00'0098h | 26h |
| GPT2 CAPREL Register | CRIR | CRIE | CRINT | 00'009Ch | 27h |
| A/D Conversion Complete | ADCIR | ADCIE | ADCINT | 00'00A0h | 28h |
| A/D Overrun Error | ADEIR | ADEIE | ADEINT | 00'00A4h | 29h |
| ASC0 Transmit | S0TIR | S0TIE | S0TINT | 00'00A8h | 2Ah |
| ASC0 Transmit Buffer | S0TBIR | S0TBIE | S0TBINT | 00'011Ch | 47h |
| ASC0 Receive | S0RIR | S0RIE | S0RINT | 00'00ACh | 2Bh |
| ASC0 Error | S0EIR | S0EIE | S0EINT | 00'00B0h | 2Ch |
| SSC Transmit | SCTIR | SCTIE | SCTINT | 00'00B4h | 2Dh |
| SSC Receive | SCRIR | SCRIE | SCRINT | 00'00B8h | 2Eh |
| SSC Error | SCEIR | SCEIE | SCEINT | 00'00BCh | 2Fh |
| PWM Channel 0...3 | PWMIR | PWMIE | PWMINT | 00'00FCh | 3Fh |
| See Section 9.1 | XP0IR | XP0IE | XP0INT | 00'0100h | 40h |
| See Section 9.1 | XP1IR | XP1IE | XP1INT | 00'0104h | 41h |
| See Section 9.1 | XP2IR | XP2IE | XP2INT | 00'0108h | 42h |
| See Section 9.1 | XP3IR | XP3IE | XP3INT | 00'010Ch | 43h |

Hardware traps are exceptions or error conditions that arise during run-time. They cause immediate non-maskable system reaction similar to a standard interrupt service (branching to a dedicated vector table location).

The occurrence of a hardware trap is additionally signified by an individual bit in the trap flag register (TFR). A hardware trap will interrupt any other program execution except when another higher prioritized trap service is in progress. Hardware trap services cannot not be interrupted by a standard interrupt or by PEC interrupts.

9.1 X-Peripheral interrupt

The limited number of X-Bus interrupt lines of the present ST10 architecture, imposes some constraints on the implementation of the new functionality. In particular, the additional X-Peripherals SSC1, ASC1, I²C, PWM1 and RTC need some resources to implement interrupt and PEC transfer capabilities. For this reason, a multiplexed structure for the interrupt management is proposed. In the next [Figure 10](#), the principle is explained through a simple diagram, which shows the basic structure replicated for each of the four X-interrupt available vectors (XP0INT, XP1INT, XP2INT and XP3INT).

It is based on a set of 16-bit registers XIRxSEL (x = 0,1,2,3), divided in two portions each:

- Byte High XIRxSEL[15:8] Interrupt Enable bits
- Byte Low XIRxSEL[7:0] Interrupt Flag bits

When different sources submit an interrupt request, the enable bits (Byte High of XIRxSEL register) define a mask which controls which sources will be associated with the unique available vector. If more than one source is enabled to issue the request, the service routine will have to take care to identify the real event to be serviced. This can easily be done by checking the flag bits (Byte Low of XIRxSEL register). Note that the flag bits can also provide information about events which are not currently serviced by the interrupt controller (since masked through the enable bits), allowing an effective software management also in absence of the possibility to serve the related interrupt request: a periodic polling of the flag bits may be implemented inside the user application.

Figure 10. X-Interrupt basic structure

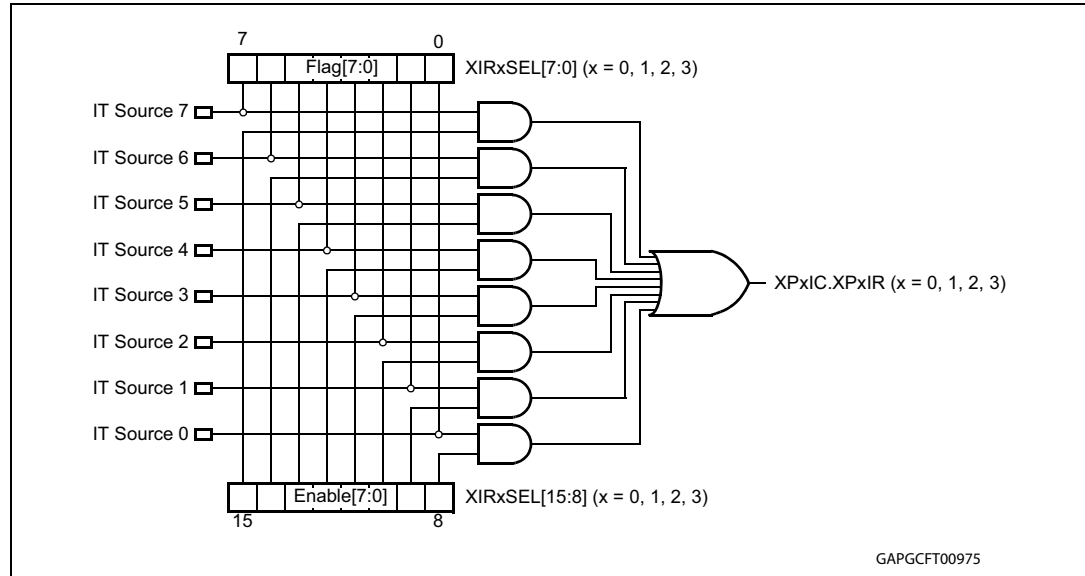


Table 31 summarizes the mapping of the different interrupt sources which shares the four X-interrupt vectors.

Table 31. X-Interrupt detailed mapping

| Interrupt source | XP0INT | XP1INT | XP2INT | XP3INT |
|----------------------|--------|--------|--------|--------|
| CAN1 Interrupt | x | | | x |
| CAN2 Interrupt | | x | | x |
| I2C Receive | x | x | x | |
| I2C Transmit | x | x | x | |
| I2C Error | | | | x |
| SSC1 Receive | x | x | x | |
| SSC1 Transmit | x | x | x | |
| SSC1 Error | | | | x |
| ASC1 Receive | x | x | x | |
| ASC1 Transmit | x | x | x | |
| ASC1 Transmit Buffer | x | x | x | |
| ASC1 Error | | | | x |

Table 31. X-Interrupt detailed mapping (continued)

| Interrupt source | XP0INT | XP1INT | XP2INT | XP3INT |
|--------------------|--------|--------|--------|--------|
| PLL Unlock / OWD | | | | x |
| PWM1 Channel 3...0 | | | x | x |

9.2 Exception and error traps list

[Table 32](#) shows all of the possible exceptions or error conditions that can arise during run-time.

Table 32. Trap priorities

| Exception condition | Trap flag | Trap vector | Vector location | Trap number | Trap priority ⁽¹⁾ |
|--|--|--|--|--|------------------------------|
| Reset Functions: Hardware Reset Software Reset Watchdog Timer Overflow | | RESET RESET RESET | 00'0000h 00'0000h 00'0000h | 00h 00h 00h | III III III |
| Class A Hardware Traps: Non-Maskable Interrupt Stack Overflow Stack Underflow | NMI STKOF STKUF | NMITRAP STOTRAP STUTRAP | 00'0008h 00'0010h 00'0018h | 02h 04h 06h | II II II |
| Class B Hardware Traps: Undefined Opcode MAC Interruption Protected Instruction Fault Illegal word Operand Access Illegal Instruction Access Illegal External Bus Access | UNDOPC MACTRP PRTFLT ILLOPA ILLINA ILLBUS | BTRAP BTRAP BTRAP BTRAP BTRAP BTRAP | 00'0028h 00'0028h 00'0028h 00'0028h 00'0028h 00'0028h | 0Ah 0Ah 0Ah 0Ah 0Ah 0Ah | I I I I I I |
| Reserved | | | [002Ch - 003Ch] | [0Bh - 0Fh] | |
| Software Traps TRAP Instruction | | | Any 0000h – 01FCh in steps of 4h | Any [00h - 7Fh] | Current CPU Priority |

- All the class B traps have the same trap number (and vector) and the same lower priority compared to the class A traps and to the resets.
 - Each class A trap has a dedicated trap number (and vector). They are prioritized in the second priority level.
 - The resets have the highest priority level and the same trap number.
 - The PSW.ILVL CPU priority is forced to the highest level (15) when these exceptions are serviced.

10 Capture / compare (CAPCOM) units

The ST10F273M has two 16-channel CAPCOM units which support generation and control of timing sequences on up to 32 channels with a maximum resolution of 200ns at 40 MHz CPU clock.

The CAPCOM units are typically used to handle high speed I/O tasks such as pulse and waveform generation, pulse width modulation (PMW), digital to analog (D/A) conversion, software timing, or time recording relative to external events.

Four 16-bit timers (T0/T1, T7/T8) with reload registers provide two independent time bases for the capture/compare register array.

The input clock for the timers is programmable to several prescaled values of the internal system clock, or may be derived from an overflow/underflow of timer T6 in module GPT2.

This provides a wide range of variation for the timer period and resolution and allows precise adjustments to application specific requirements. In addition, external count inputs for CAPCOM timers T0 and T7 allow event scheduling for the capture/compare registers relative to external events.

Each of the two capture/compare register arrays contain 16 dual purpose capture/compare registers, each of which may be individually allocated to either CAPCOM timer T0 or T1 (T7 or T8, respectively), and programmed for capture or compare functions. Each of the 32 registers has one associated port pin which serves as an input pin for triggering the capture function, or as an output pin to indicate the occurrence of a compare event.

When a capture/compare register has been selected for capture mode, the current contents of the allocated timer will be latched (captured) into the capture/compare register in response to an external event at the port pin which is associated with this register. In addition, a specific interrupt request for this capture/compare register is generated.

Either a positive, a negative, or both a positive and a negative external signal transition at the pin can be selected as the triggering event. The contents of all registers which have been selected for one of the five compare modes are continuously compared with the contents of the allocated timers.

When a match occurs between the timer value and the value in a capture / compare register, specific actions will be taken based on the selected compare mode.

The input frequencies f_{Tx} , for the timer input selector Tx, are determined as a function of the CPU clocks. The timer input frequencies, resolution and periods which result from the selected prescaler option in Tx1 when using a 40 MHz CPU clock are listed in [Table 34](#).

The numbers for the timer periods are based on a reload value of 0000h. Note that some numbers may be rounded off to three significant figures.

Table 33. Compare modes

| Compare modes | Function |
|---------------|---|
| Mode 0 | Interrupt-only compare mode; several compare interrupts per timer period are possible |
| Mode 1 | Pin toggles on each compare match; several compare events per timer period are possible |
| Mode 2 | Interrupt-only compare mode; only one compare interrupt per timer period is generated |

Table 33. Compare modes (continued)

| Compare modes | Function |
|----------------------|--|
| Mode 3 | Pin set '1' on match; pin reset '0' on compare time overflow; only one compare event per timer period is generated |
| Double Register mode | Two registers operate on one pin; pin toggles on each compare match; several compare events per timer period are possible. |

Table 34. CAPCOM timer input frequencies, resolutions and periods at 40 MHz

| f _{CPU} = 40 MHz | Timer input selection TxI | | | | | | | |
|--------------------------------|---------------------------|---------|----------|---------|-----------|------------|------------|----------|
| | 000b | 001b | 010b | 011b | 100b | 101b | 110b | 111b |
| Prescaler for f _{CPU} | 8 | 16 | 32 | 64 | 128 | 256 | 512 | 1024 |
| Input frequency | 5 MHz | 2.5 MHz | 1.25 MHz | 625 kHz | 312.5 kHz | 156.25 kHz | 78.125 kHz | 39.1 kHz |
| Resolution | 200ns | 400ns | 0.8µs | 1.6µs | 3.2µs | 6.4µs | 12.8µs | 25.6µs |
| Period | 13.1ms | 26.2ms | 52.4ms | 104.8ms | 209.7ms | 419.4ms | 838.9ms | 1.678s |

11 General purpose timer unit

The GPT unit is a flexible multifunctional timer/counter structure which is used for time related tasks such as event timing and counting, pulse width and duty cycle measurements, pulse generation, or pulse multiplication. The GPT unit contains five 16-bit timers organized into two separate modules GPT1 and GPT2. Each timer in each module may operate independently in several different modes, or may be concatenated with another timer of the same module.

11.1 GPT1

Each of the three timers T2, T3, T4 of the GPT1 module can be configured individually for one of four basic modes of operation: **timer, gated timer, counter mode and incremental interface mode.**

In timer mode, the input clock for a timer is derived from the CPU clock, divided by a programmable prescaler.

In counter mode, the timer is clocked in reference to external events.

Pulse width or duty cycle measurement is supported in gated timer mode where the operation of a timer is controlled by the 'gate' level on an external input pin. For these purposes, each timer has one associated port pin (TxIN) which serves as gate or clock input.

[Table 35](#) lists the timer input frequencies, resolution and periods for each prescaler option at 40 MHz CPU clock.

In Incremental Interface mode, the GPT1 timers (T2, T3, T4) can be directly connected to the incremental position sensor signals A and B by their respective inputs TxIN and TxEUD.

Direction and count signals are internally derived from these two input signals so that the contents of the respective timer Tx corresponds to the sensor position. The third position sensor signal TOP0 can be connected to an interrupt input.

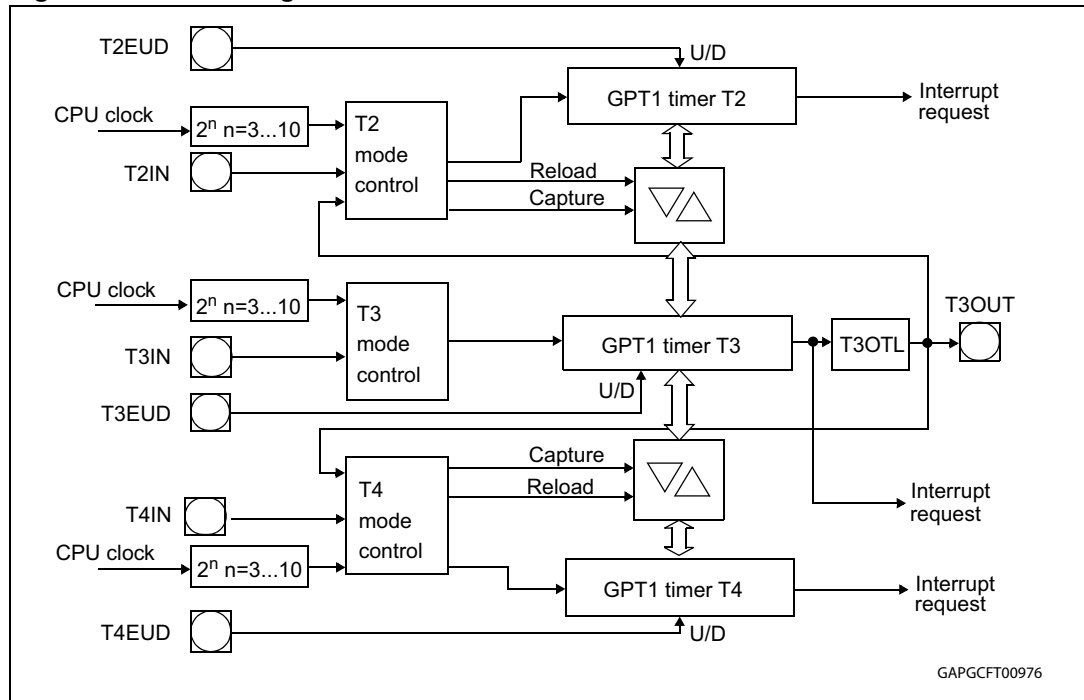
Timer T3 has output toggle latches (TxOTL) which changes state on each timer over flow / underflow. The state of this latch may be output on port pins (TxOUT) for time out monitoring of external hardware components, or may be used internally to clock timers T2 and T4 for high resolution of long duration measurements.

In addition to their basic operating modes, timers T2 and T4 may be configured as reload or capture registers for timer T3.

Table 35. GPT1 timer input frequencies, resolutions and periods at 40 MHz

| f _{CPU} = 40 MHz | Timer input selection T2I / T3I / T4I | | | | | | | |
|---------------------------|---------------------------------------|---------|----------|---------|-----------|------------|------------|----------|
| | 000b | 001b | 010b | 011b | 100b | 101b | 110b | 111b |
| Prescaler factor | 8 | 16 | 32 | 64 | 128 | 256 | 512 | 1024 |
| Input frequency | 5 MHz | 2.5 MHz | 1.25 MHz | 625 kHz | 312.5 kHz | 156.25 kHz | 78.125 kHz | 39.1 kHz |
| Resolution | 200ns | 400ns | 0.8µs | 1.6µs | 3.2µs | 6.4µs | 12.8µs | 25.6µs |
| Period maximum | 13.1ms | 26.2ms | 52.4ms | 104.8ms | 209.7ms | 419.4ms | 838.9ms | 1.678s |

Figure 11. Block diagram of GPT1



11.2 GPT2

The GPT2 module provides precise event control and time measurement. It includes two timers (T5, T6) and a capture/reload register (CAPREL). Both timers can be clocked with an input clock which is derived from the CPU clock via a programmable prescaler or with external signals. The count direction (up/down) for each timer is programmable by software or may additionally be altered dynamically by an external signal on a port pin (TxEUD). Concatenation of the timers is supported via the output toggle latch (T6OTL) of timer T6 which changes its state on each timer overflow/underflow.

The state of this latch may be used to clock timer T5, or it may be output on a port pin (T6OUT). The overflow / underflow of timer T6 can additionally be used to clock the CAPCOM timers T0 or T1, and to cause a reload from the CAPREL register. The CAPREL register may capture the contents of timer T5 based on an external signal transition on the corresponding port pin (CAPIN), and timer T5 may optionally be cleared after the capture procedure. This allows absolute time differences to be measured or pulse multiplication to be performed without software overhead.

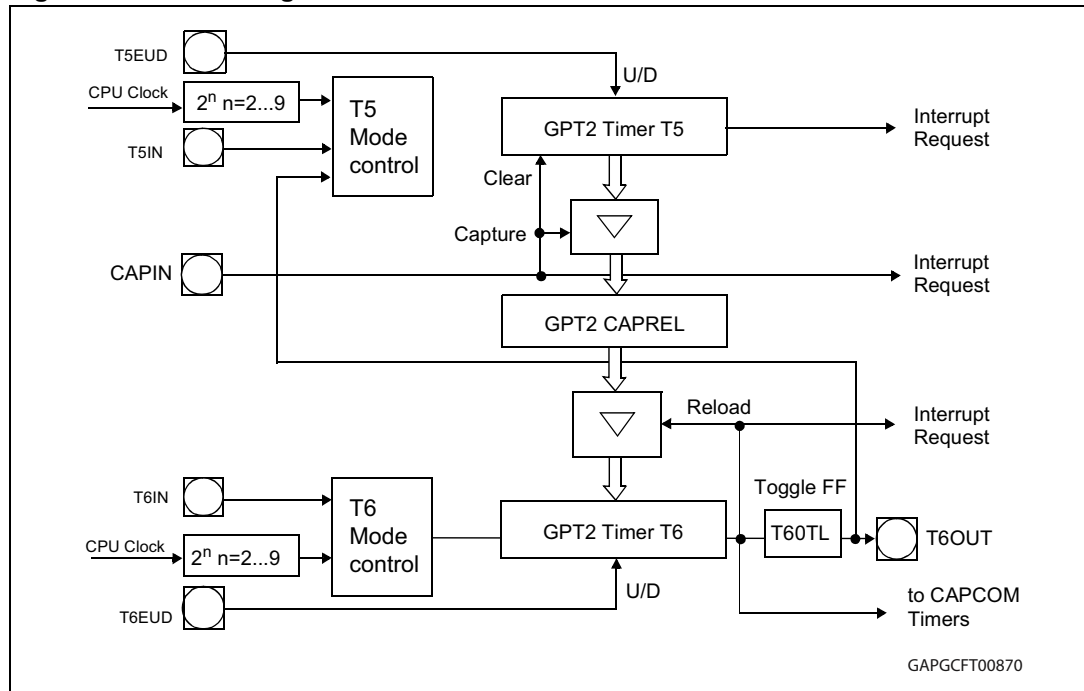
The capture trigger (timer T5 to CAPREL) may also be generated upon transitions of GPT1 timer T3 inputs T3IN and/or T3EUD. This is advantageous when T3 operates in Incremental Interface mode.

[Table 36](#) lists the timer input frequencies, resolution and periods for each prescaler option at 40 MHz CPU clock.

Table 36. GPT2 timer input frequencies, resolutions and periods at 40 MHz

| f _{CPU} = 40 MHz | Timer Input Selection T5I / T6I | | | | | | | |
|---------------------------|---------------------------------|--------|---------|----------|---------|-----------|------------|------------|
| | 000b | 001b | 010b | 011b | 100b | 101b | 110b | 111b |
| Prescaler factor | 4 | 8 | 16 | 32 | 64 | 128 | 256 | 512 |
| Input frequency | 10 MHz | 5 MHz | 2.5 MHz | 1.25 MHz | 625 kHz | 312.5 kHz | 156.25 kHz | 78.125 kHz |
| Resolution | 100ns | 200ns | 400ns | 0.8µs | 1.6µs | 3.2µs | 6.4µs | 12.8µs |
| Period maximum | 6.55ms | 13.1ms | 26.2ms | 52.4ms | 104.8ms | 209.7ms | 419.4ms | 838.9ms |

Figure 12. Block diagram of GPT2



12 PWM modules

Two pulse width modulation modules are available on ST10F273M: standard PWM0 and XBUS PWM1. They can generate up to four PWM output signals each, using edge-aligned or center-aligned PWM. In addition, the PWM modules can generate PWM burst signals and single shot outputs. [Table 37](#) shows the PWM frequencies for different resolutions. The level of the output signals is selectable and the PWM modules can generate interrupt requests.

Figure 13. Block diagram of PWM module

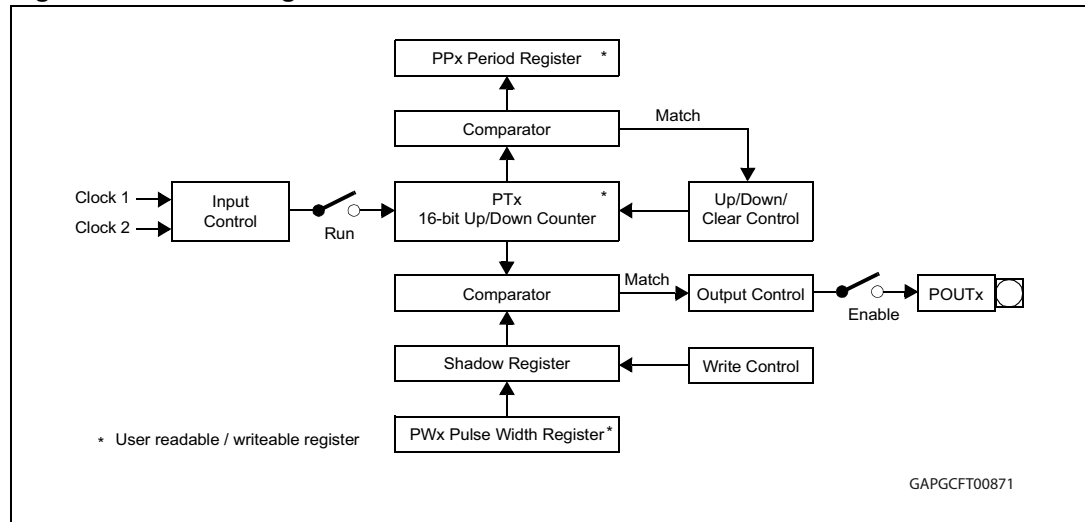


Table 37. PWM unit frequencies and resolutions at 40 MHz CPU clock

| Mode 0 | Resolution | 8-bit | 10-bit | 12-bit | 14-bit | 16-bit |
|--------------|------------|------------|-----------|----------|----------|----------|
| CPU Clock/1 | 25ns | 156.25 kHz | 39.1 kHz | 9.77 kHz | 2.44 Hz | 610 Hz |
| CPU Clock/64 | 1.6µs | 2.44 kHz | 610 Hz | 152.6 Hz | 38.15 Hz | 9.54 Hz |
| Mode 1 | Resolution | 8-bit | 10-bit | 12-bit | 14-bit | 16-bit |
| CPU Clock/1 | 25ns | 78.12 kHz | 19.53 kHz | 4.88 kHz | 1.22 kHz | 305.2 Hz |
| CPU Clock/64 | 1.6µs | 1.22 kHz | 305.17Hz | 76.29 Hz | 19.07 Hz | 4.77 Hz |

13 Parallel ports

13.1 Introduction

The ST10F273M MCU provides up to 111 I/O lines with programmable features. These capabilities permit this MCU to be adapted to a wide range of applications.

The ST10F273M I/O lines are organized in nine groups:

- Port 0 is a two time 8-bit port named P0L (low as less significant byte) and P0H (high as most significant byte)
- Port 1 is a two time 8-bit port named P1L and P1H
- Port 2 is a 16-bit port
- Port 3 is a 15-bit port (P3.14 line is not implemented)
- Port 4 is an 8-bit port
- Port 5 is a 16-bit port input only
- Port 6, Port 7 and Port 8 are 8-bit ports

These ports may be used as general purpose bidirectional input or output, software controlled with dedicated registers.

For example, the output drivers of six of the ports (2, 3, 4, 6, 7, 8) can be configured (bitwise) for push-pull or open drain operation using ODPx registers.

The input threshold levels are programmable (TTL/CMOS) for all the ports. The logic level of a pin is clocked into the input latch once per state time, regardless whether the port is configured for input or output. The threshold is selected with PICON and XPICON registers control bits.

A write operation to a port pin configured as an input causes the value to be written into the port output latch, while a read operation returns the latched state of the pin itself. A read-modify-write operation reads the value of the pin, modifies it, and writes it back to the output latch.

Writing to a pin configured as an output (DPx.y = '1') causes the output latch and the pin to have the written value, since the output buffer is enabled. Reading this pin returns the value of the output latch. A read-modify-write operation reads the value of the output latch, modifies it, and writes it back to the output latch, thus also modifying the level at the pin.

I/O lines support an alternate function which is detailed in the following description of each port.

13.2 I/O's special features

13.2.1 Open drain mode

Some of the I/O ports of ST10F273M support the open drain capability. This programmable feature may be used with an external pull-up resistor, in order to get an AND wired logical function.

This feature is implemented for ports P2, P3, P4, P6, P7 and P8 (see respective sections) and is controlled through the respective Open Drain Control Registers ODPx.

13.2.2 Input threshold control

The standard inputs of the ST10F273M determine the status of input signals according to TTL levels. In order to accept and recognize noisy signals, CMOS input thresholds can be selected instead of the standard TTL thresholds for all the pins. These CMOS thresholds are defined above the TTL thresholds and feature a higher hysteresis to prevent the inputs from toggling while the respective input signal level is near the thresholds.

The Port Input Control registers PICON and XPICON are used to select these thresholds for each byte of the indicated ports, this means the 8-bit ports P0L, P0H, P1L, P1H, P4, P7 and P8 are controlled by one bit each while ports P2, P3 and P5 are controlled by two bits each.

All options for individual direction and output mode control are available for each pin, independent of the selected input threshold.

13.3 Alternate port functions

Each port line has one associated programmable alternate input or output function.

- PORT0 and PORT1 may be used as address and data lines when accessing external memory. Additionally, PORT1 provides:
 - Input capture lines
 - 8 additional analog input channels to the A/D converter
- Port 2, Port 7 and Port 8 are associated with the capture inputs or compare outputs of the CAPCOM units and/or with the outputs of the PWM0 module, of the PWM1 module and of the ASC1.
Port 2 is also used for fast external interrupt inputs and for timer 7 input.
- Port 3 includes the alternate functions of timers, serial interfaces, the optional bus control signal \overline{BHE} and the system clock output (CLKOUT).
- Port 4 outputs the additional segment address bit A23...A16 in systems where more than 64 Kbytes of memory are to be access directly. In addition, CAN1, CAN2 and I²C lines are provided.
- Port 5 is used as analog input channels of the A/D converter or as timer control signals.
- Port 6 provides optional bus arbitration signals (\overline{BREQ} , \overline{HLDA} , \overline{HOLD}) and chip select signals and the SSC1 lines.

If the alternate output function of a pin is to be used, the direction of this pin must be programmed for output (DPx.y = '1'), except for some signals that are used directly after reset and are configured automatically. Otherwise the pin remains in the high-impedance state and is not effected by the alternate output function. The respective port latch should hold a '1', because its output is ANDed with the alternate output data (except for PWM output signals).

If the alternate input function of a pin is used, the direction of the pin must be programmed for input (DPx.y = '0') if an external device is driving the pin. The input direction is the default after reset. If no external device is connected to the pin, however, the direction for this pin can also be set to output. In this case, the pin reflects the state of the port output latch. Thus, the alternate input function reads the value stored in the port output latch. This can be used for testing purposes to allow a software trigger of an alternate input function by writing to the port output latch.

On most of the port lines, the user software is responsible for setting the proper direction when using an alternate input or output function of a pin.

This is done by setting or clearing the direction control bit DPx.y of the pin before enabling the alternate function.

There are port lines, however, where the direction of the port line is switched automatically.

For instance, in the multiplexed external bus modes of PORT0, the direction must be switched several times for an instruction fetch in order to output the addresses and to input the data.

Obviously, this cannot be done through instructions. In these cases, the direction of the port line is switched automatically by hardware if the alternate function of such a pin is enabled.

To determine the appropriate level of the port output latches, check how the alternate data output is combined with the respective port latch output.

There is one basic structure for all port lines with only an alternate input function. Port lines with only an alternate output function, however, have different structures due to the way the direction of the pin is switched and depending on whether the pin is accessible by the user software or not in the alternate function mode.

All port lines that are not used for these alternate functions may be used as general purpose I/O lines.

14 A/D converter

A 10-bit A/D converter with 24 multiplexed input channels and a sample and hold circuit is integrated on-chip. An automatic self-calibration adjusts the A/D converter module to process parameter variations at each reset event. The sample time (for loading the capacitors) and the conversion time is programmable and can be adjusted to the external circuitry.

The ST10F273M has 16 + 8 multiplexed input channels on Port 5 and Port 1 respectively. The selection between Port 5 and Port 1 is made via a bit in an XBus register. Refer to the User Manual for a detailed description.

A different accuracy is guaranteed (Total Unadjusted Error) on Port 5 and Port 1 analog channels (with higher restrictions when overload conditions occur); in particular, Port 5 channels are more accurate than the Port 1 channels. Refer to [Section 24: Electrical characteristics](#) for details.

The A/D converter input bandwidth is limited by the achievable accuracy: Supposing a maximum error of 0.5LSB (2mV) impacting the global TUE (TUE depends also on other causes), in worst case of temperature and process, the maximum frequency for a sine wave analog signal is around 7.5 kHz. Of course, to reduce the effect of the input signal variation on the accuracy down to 0.05LSB, the maximum input frequency of the sine wave must be reduced to 800 Hz.

If a static signal is applied during the sampling phase, a series resistance shall not be greater than 20k Ω (this taking into account eventual input leakage). It is suggested to not connect any capacitance on analog input pins, in order to reduce the effect of charge partitioning (and consequent voltage drop error) between the external and the internal capacitance: In case an RC filter is necessary, the external capacitance must be greater than 10nF to minimize the accuracy impact.

Overrun error detection / protection is controlled by the ADDAT register. Either an interrupt request is generated when the result of a previous conversion has not been read from the result register at the time the next conversion is complete, or the next conversion is suspended until the previous result has been read. For applications which require less than 16+8 analog input channels, the rning channel inputs can be used as digital input port pins.

The A/D converter of the ST10F273M supports different conversion modes:

- **Single channel single conversion:** The analog level of the selected channel is sampled once and converted. The result of the conversion is stored in the ADDAT register.
- **Single channel continuous conversion:** The analog level of the selected channel is repeatedly sampled and converted. The result of the conversion is stored in the ADDAT register.
- **Auto scan single conversion:** The analog level of the selected channels are sampled once and converted. After each conversion the result is stored in the ADDAT register. The data can be transferred to the RAM by interrupt software management or using the powerful Peripheral Event Controller (PEC) data transfer.
- **Auto scan continuous conversion:** The analog level of the selected channels are repeatedly sampled and converted. The result of the conversion is stored in the ADDAT

register. The data can be transferred to the RAM by interrupt software management or using the PEC data transfer.

- **Wait for ADDAT read mode:** When using continuous modes, in order to avoid to overwrite the result of the current conversion by the next one, the ADWR bit of ADCON control register must be activated. Then, until the ADDAT register is read, the new result is stored in a temporary buffer and the conversion is on hold.
- **Channel injection mode:** When using continuous modes, a selected channel can be converted in between without changing the current operating mode. The 10-bit data of the conversion are stored in ADRES field of ADDAT2. The current continuous mode remains active after the single conversion is completed.

A full calibration sequence is performed after a reset. This full calibration lasts up to 40630 CPU clock cycles. During this time, the busy flag ADBSY is set to indicate the operation. It compensates the capacitance mismatch, so the calibration procedure does not need any update during normal operation.

No conversion can be performed during this time: The bit ADBSY shall be polled to verify when the calibration is over, and the module is able to start a conversion.

15 Serial channels

Serial communication with other microcontrollers, microprocessors, terminals or external peripheral components is provided by up to four serial interfaces: two asynchronous / synchronous serial channels (ASC0 and ASC1) and two high-speed synchronous serial channel (SSC0 and SSC1). Dedicated baudrate generators set up all standard baudrates without the requirement of oscillator tuning. For transmission, reception and erroneous reception, separate interrupt vectors are provided for ASC0 and SSC0 serial channel. A more complex mechanism of interrupt sources multiplexing is implemented for ASC1 and SSC1 (XBUS mapped).

15.1 Asynchronous / synchronous serial interfaces

The asynchronous / synchronous serial interfaces (ASC0 and ASC1) provides serial communication between the ST10F273M and other microcontrollers, microprocessors or external peripherals.

15.2 ASCx in asynchronous mode

In asynchronous mode, 8- or 9-bit data transfer, parity generation and the number of stop bits can be selected. Parity framing and overrun error detection is provided to increase the reliability of data transfers. Transmission and reception of data is double-buffered. Full-duplex communication up to 1.25 Mbaud (at 40 MHz of f_{CPU}) is supported in this mode.

Table 38. ASC asynchronous baudrates by reload value and deviation errors

| S0BRS = '0', f_{CPU} = 40 MHz | | | S0BRS = '1', f_{CPU} = 40 MHz | | |
|---------------------------------|-----------------|--------------------|---------------------------------|-----------------|--------------------|
| Baudrate (baud) | Deviation error | Reload value (hex) | Baudrate (baud) | Deviation error | Reload value (hex) |
| 1 250 000 | 0.0% / 0.0% | 0000 / 0000 | 833 333 | 0.0% / 0.0% | 0000 / 0000 |
| 112 000 | +1.5% / -7.0% | 000A / 000B | 112 000 | +6.3% / -7.0% | 0006 / 0007 |
| 56 000 | +1.5% / -3.0% | 0015 / 0016 | 56 000 | +6.3% / -0.8% | 000D / 000E |
| 38 400 | +1.7% / -1.4% | 001F / 0020 | 38 400 | +3.3% / -1.4% | 0014 / 0015 |
| 19 200 | +0.2% / -1.4% | 0040 / 0041 | 19 200 | +0.9% / -1.4% | 002A / 002B |
| 9 600 | +0.2% / -0.6% | 0081 / 0082 | 9 600 | +0.9% / -0.2% | 0055 / 0056 |
| 4 800 | +0.2% / -0.2% | 0103 / 0104 | 4 800 | +0.4% / -0.2% | 00AC / 00AD |
| 2 400 | +0.2% / 0.0% | 0207 / 0208 | 2 400 | +0.1% / -0.2% | 015A / 015B |
| 1 200 | 0.1% / 0.0% | 0410 / 0411 | 1 200 | +0.1% / -0.1% | 02B5 / 02B6 |
| 600 | 0.0% / 0.0% | 0822 / 0823 | 600 | +0.1% / 0.0% | 056B / 056C |
| 300 | 0.0% / 0.0% | 1045 / 1046 | 300 | 0.0% / 0.0% | 0AD8 / 0AD9 |
| 153 | 0.0% / 0.0% | 1FE8 / 1FE9 | 102 | 0.0% / 0.0% | 1FE8 / 1FE9 |

Note: The deviation errors given in the [Table 38](#) are rounded off. To avoid deviation errors use a baudrate crystal (providing a multiple of the ASC0 sampling frequency).

15.3 ASCx in synchronous mode

In synchronous mode, data is transmitted or received synchronously to a shift clock which is generated by the ST10F273M. Half-duplex communication up to 5 Mbaud (at 40 MHz of f_{CPU}) is possible in this mode.

Table 39. ASC synchronous baudrates by reload value and deviation errors

| S0BRS = '0', f_{CPU} = 40 MHz | | | S0BRS = '1', f_{CPU} = 40 MHz | | |
|---------------------------------|-----------------|--------------------|---------------------------------|-----------------|--------------------|
| Baudrate (baud) | Deviation error | Reload value (hex) | Baudrate (baud) | Deviation error | Reload value (hex) |
| 5 000 000 | 0.0% / 0.0% | 0000 / 0000 | 3 333 333 | 0.0% / 0.0% | 0000 / 0000 |
| 112 000 | +1.5% / -0.8% | 002B / 002C | 112 000 | +2.6% / -0.8% | 001C / 001D |
| 56 000 | +0.3% / -0.8% | 0058 / 0059 | 56 000 | +0.9% / -0.8% | 003A / 003B |
| 38 400 | +0.2% / -0.6% | 0081 / 0082 | 38 400 | +0.9% / -0.2% | 0055 / 0056 |
| 19 200 | +0.2% / -0.2% | 0103 / 0104 | 19 200 | +0.4% / -0.2% | 00AC / 00AD |
| 9 600 | +0.2% / 0.0% | 0207 / 0208 | 9 600 | +0.1% / -0.2% | 015A / 015B |
| 4 800 | +0.1% / 0.0% | 0410 / 0411 | 4 800 | +0.1% / -0.1% | 02B5 / 02B6 |
| 2 400 | 0.0% / 0.0% | 0822 / 0823 | 2 400 | +0.1% / 0.0% | 056B / 056C |
| 1 200 | 0.0% / 0.0% | 1045 / 1046 | 1 200 | 0.0% / 0.0% | 0AD8 / 0AD9 |
| 900 | 0.0% / 0.0% | 15B2 / 15B3 | 600 | 0.0% / 0.0% | 15B2 / 15B3 |
| 612 | 0.0% / 0.0% | 1FE8 / 1FE9 | 407 | 0.0% / 0.0% | 1FFD / 1FFE |

Note: The deviation errors given in the are rounded off. To avoid deviation errors use a baudrate crystal (providing a multiple of the ASC0 sampling frequency).

15.4 High speed synchronous serial interfaces

The High-Speed Synchronous Serial Interfaces (SSC0 and SSC1) provides flexible high-speed serial communication between the ST10F273M and other microcontrollers, microprocessors or external peripherals.

The SSCx supports full-duplex and half-duplex synchronous communication. The serial clock signal can be generated by the SSCx itself (master mode) or be received from an external master (slave mode). Data width, shift direction, clock polarity and phase are programmable.

This allows communication with SPI-compatible devices. Transmission and reception of data is double-buffered. A 16-bit baudrate generator provides the SSCx with a separate serial clock signal. The serial channel SSCx has its own dedicated 16-bit baudrate generator with 16-bit reload capability, allowing baudrate generation independent from the timers.

[Table 40](#) lists some possible baudrates against the required reload values and the resulting bit times for the 40 MHz CPU clock. The maximum is limited to 8 Mbaud.

Table 40. SSC synchronous baudrate and reload values

| Baudrate for $f_{CPU} = 40$ MHz | Bit time | Reload value |
|---|-------------|--------------|
| Reserved | - | 0000h |
| Can be used only with $f_{CPU} = 32$ MHz (or lower) | - | 0001h |
| 6.6 Mbaud | 150ns | 0002h |
| 5 Mbaud | 200ns | 0003h |
| 2.5 Mbaud | 400ns | 0007h |
| 1 Mbaud | 1 μ s | 0013h |
| 100 Kbaud | 10 μ s | 00C7h |
| 10 Kbaud | 100 μ s | 07CFh |
| 1 Kbaud | 1ms | 4E1Fh |
| 306 baud | 3.26ms | FF4Eh |

16 I2C interface

The integrated I²C Bus Module handles the transmission and reception of frames over the two-line SDA/SCL in accordance with the I²C Bus specification. The I²C Module can operate in slave mode, in master mode or in multi-master mode. It can receive and transmit data using 7-bit or 10-bit addressing. Data can be transferred at speeds up to 400 Kbit/s (both Standard and Fast I²C bus modes are supported).

The module can generate three different types of interrupt:

- requests related to bus events, such as start or stop events, or arbitration lost
- requests related to data transmission
- requests related to data reception

These requests are issued to the interrupt controller by three different lines, and identified as Error, Transmit, and Receive interrupt lines.

When the I²C module is enabled by setting bit XI2CEN in XPERCON register, pins P4.4 and P4.7 (where SCL and SDA are respectively mapped as alternate functions) are automatically configured as bidirectional open-drain: the value of the external pull-up resistor depends on the application. P4, DP4 and ODP4 cannot influence the pin configuration.

When the I²C cell is disabled (clearing bit XI2CEN), P4.4 and P4.7 pins are standard I/O controlled by P4, DP4 and ODP4.

The speed of the I²C interface can be selected between Standard mode (0 to 100 kHz) and Fast I²C mode (100 to 400 kHz).

17 CAN modules

The two integrated CAN modules (CAN1 and CAN2) are identical and handle the completely autonomous transmission and reception of CAN frames according to the CAN specification V2.0 part B (active). It is based on the C-CAN specification.

Each on-chip CAN module can receive and transmit standard frames with 11-bit identifiers as well as extended frames with 29-bit identifiers.

Because of duplication of the CAN controllers, the following adjustments are to be considered:

- Same internal register addresses of both CAN controllers, but with base addresses differing in address bit A8; separate chip select for each CAN module. Refer to [Section 4: Memory organization on page 21](#).
- The CAN1 transmit line (CAN1_TxD) is the alternate function of the Port P4.6 pin and the receive line (CAN1_RxD) is the alternate function of the Port P4.5 pin.
- The CAN2 transmit line (CAN2_TxD) is the alternate function of the Port P4.7 pin and the receive line (CAN2_RxD) is the alternate function of the Port P4.4 pin.
- Interrupt request lines of the CAN1 and CAN2 modules are connected to the XBUS interrupt lines together with other X-Peripherals sharing the four vectors.
- The CAN modules must be selected with corresponding CANxEN bit of XPERCON register before the bit XPEN of SYSCON register is set.
- The reset default configuration is: CAN1 enabled, CAN2 disabled.

Note: If one or both CAN modules is used, Port 4 cannot be programmed to output all eight segment address lines. Thus, only four segment address lines can be used, reducing the external memory space to 5 Mbytes (1 Mbyte per \overline{CS} line).

17.1 Configuration support

It is possible that both CAN controllers are working on the same CAN bus, supporting together up to 64 message objects. In this configuration, both receive signals and both transmit signals are linked together when using the same CAN transceiver. This configuration is especially supported by providing open drain outputs for the CAN1_TxD and CAN2_TxD signals. The open drain function is controlled with the ODP4 register for port P4: in this way it is possible to connect together P4.4 with P4.5 (receive lines) and P4.6 with P4.7 (transmit lines configured to be configured as Open-Drain).

The user may also map internally both CAN modules on the same pins P4.5 and P4.6. In this way, P4.4 and P4.7 can be used either as general purpose I/O lines, or used for I²C interface. This is possible by setting bit CANPAR of the XMISC register. To access this register it is necessary to set bit XMISCEN of the XPERCON register and bit XPEN of the SYSCON register.

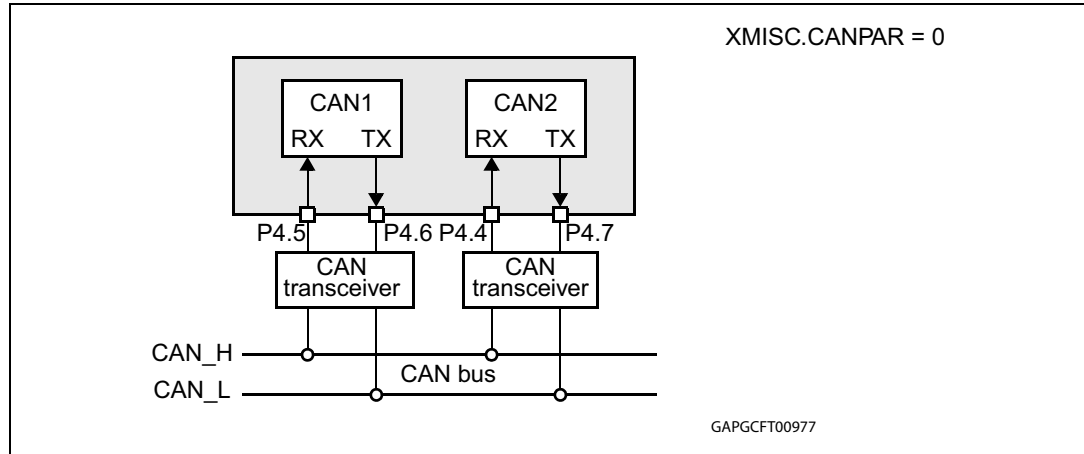
17.2 CAN bus configurations

Depending on the application, CAN bus configuration may be one single bus with a single or multiple interfaces or a multiple bus with a single or multiple interfaces. The ST10F273M can support both configurations.

17.2.1 Single CAN bus

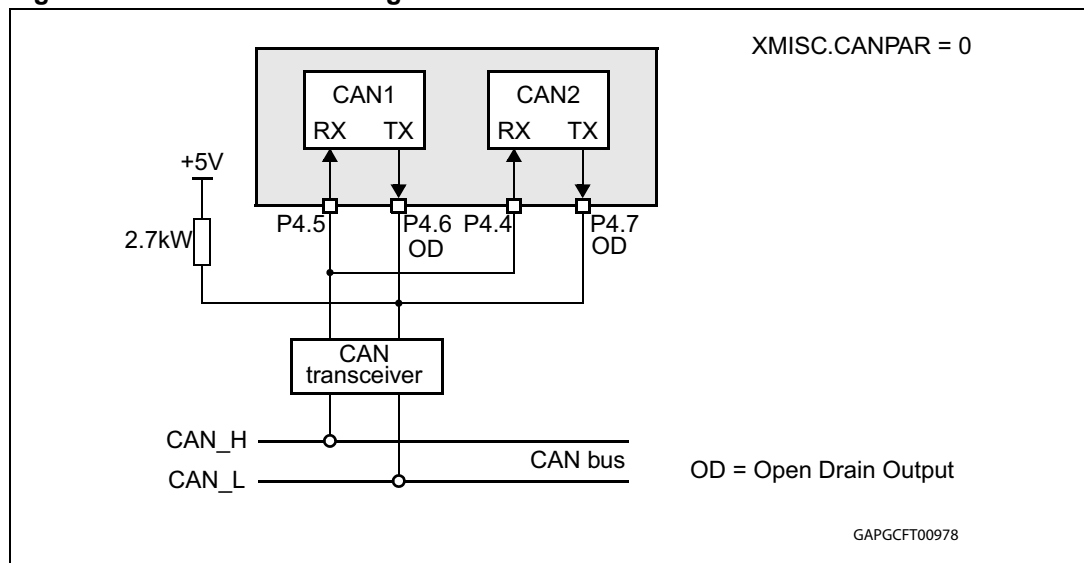
The single CAN bus multiple interfaces configuration may be implemented using two CAN transceivers as shown in [Figure 14](#).

Figure 14. Connection to single CAN bus via separate CAN transceivers



The ST10F273M also supports single CAN bus multiple (dual) interfaces using the open drain option of the CANx_TxD output as shown in [Figure 15](#). Thanks to the OR-Wired Connection, only one transceiver is required. In this case the design of the application must take in account the wire length and the noise environment.

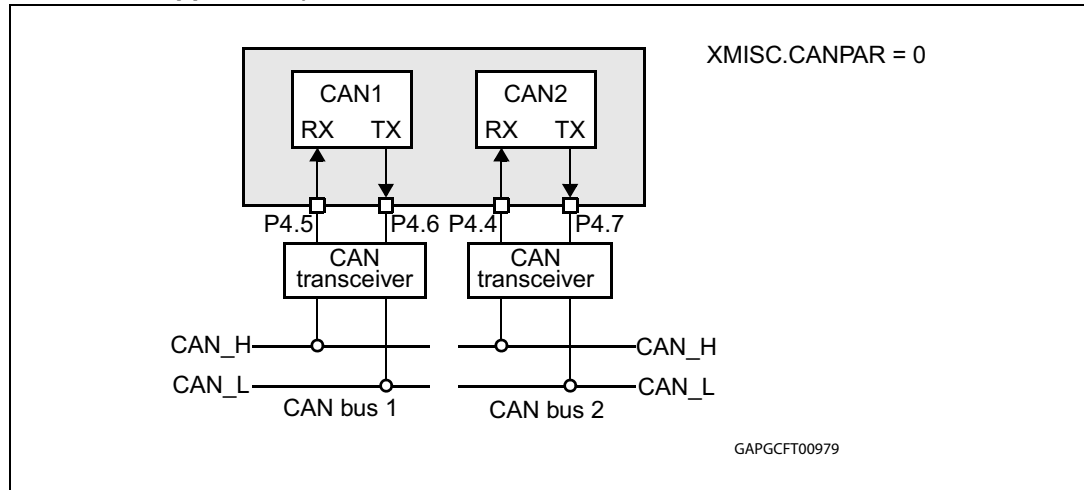
Figure 15. Connection to single CAN bus via common CAN transceivers



17.2.2 Multiple CAN bus

The ST10F273M provides two CAN interfaces to support such kind of bus configuration as shown in [Figure 16](#).

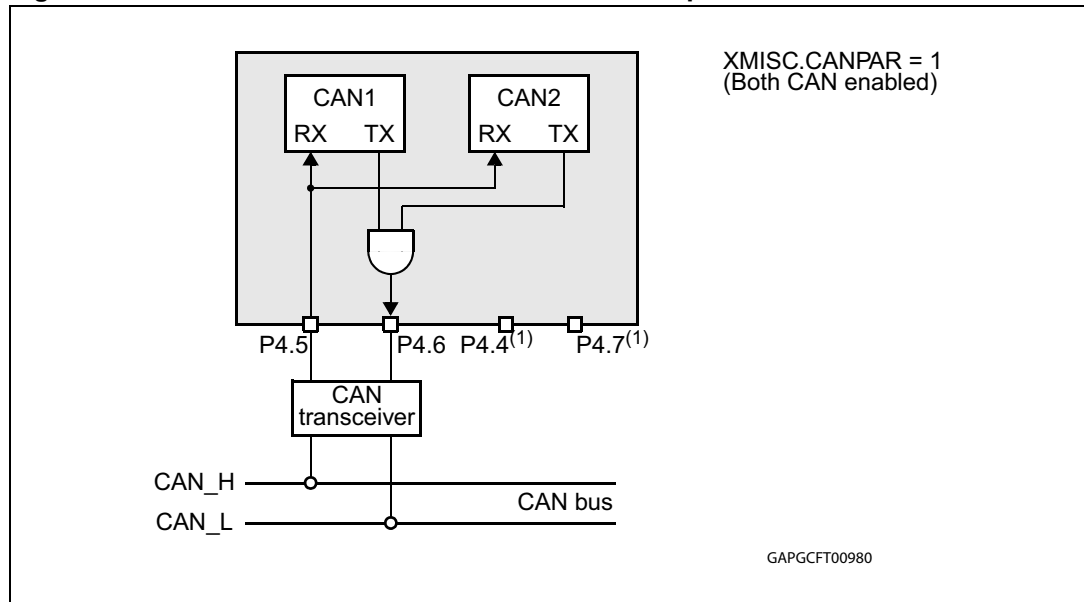
Figure 16. Connection to two different CAN buses (for example for gateway application)



17.2.3 Parallel mode

In addition to previous configurations, a parallel mode is supported. This is shown in [Figure 17](#).

Figure 17. Connection to one CAN bus with internal parallel mode enabled



1. P4.4 and P4.7 when not used as CAN functions can be used as general purpose I/O while they cannot be used as external bus address lines.

18 Real time clock

The Real Time Clock is an independent timer, in which the clock is derived directly from the clock oscillator on XTAL1 (main oscillator) input or XTAL3 input (32 kHz low-power oscillator) so that it can continue running even in Idle or Power-down modes (if so enabled). Registers access is implemented onto the XBUS. This module is designed with the following characteristics:

- generation of the current time and date for the system
- cyclic time based interrupt, on Port2 external interrupts every “RTC basic clock tick” and after n ‘RTC basic clock ticks’ (n is programmable) if enabled
- 58-bit timer for long term measurement
- capability to exit the ST10 chip from Power-down mode (if PWDCFG of SYSCON set) after a programmed delay

The real time clock is based on two main blocks of counters. The first block is a prescaler which generates a basic reference clock (for example, a 1 second period). This basic reference clock is provided by the 20-bit DIVIDER. This 20-bit counter is driven by an input clock derived from the on-chip CPU clock, predivided by a 1/64 fixed counter. This 20-bit counter is loaded at each basic reference clock period with the value of the 20-bit PRESCALER register. The value of the 20-bit RTCP register determines the period of the basic reference clock.

A timed interrupt request (RTCSI) may be sent on each basic reference clock period. The second block of the RTC is a 32-bit counter that may be initialized with the current system time. This counter is driven with the basic reference clock signal. In order to provide an alarm function the contents of the counter is compared with a 32-bit alarm register. The alarm register may be loaded with a reference date. An alarm interrupt request (RTCAI), may be generated when the value of the counter matches the alarm register.

The timed RTCSI and the alarm RTCAI interrupt requests can trigger a fast external interrupt via the EXISEL register of port 2 and wake up the ST10 chip when running power-down mode. Using the RTCOFF bit of the RTCCON register, the user may switch off the clock oscillator when entering the power-down mode.

The last function implemented in the RTC is to switch off the main on-chip oscillator and the 32 kHz on chip oscillator if the ST10 enters the Power-down mode, so that the chip can be fully switched off (if RTC is disabled).

At power-on, and after Reset phase, if the presence of a 32 kHz oscillation on XTAL3 / XTAL4 pins is detected, then the RTC counter is driven by this low frequency reference clock: when Power-down mode is entered, the RTC can either be stopped or left running, and in both the cases the main oscillator is turned off, reducing the power consumption of the device to the minimum required to keep on running the RTC counter and relative reference oscillator. This is also valid if Standby mode is entered (switching off the main supply V_{DD}), since both the RTC and the low power oscillator (32 kHz) are biased by the V_{STBY} . Vice versa, when at power on and after Reset, the 32 kHz is not present, the main oscillator drives the RTC counter, and since it is powered by the main power supply, it cannot be maintained running in Standby mode, while in Power-down mode the main oscillator is maintained running to provide the reference to the RTC module (if not disabled).

19 Watchdog timer

The Watchdog Timer is a fail-safe mechanism which prevents the microcontroller from malfunctioning for long periods of time.

The Watchdog Timer is always enabled after a reset of the chip and can only be disabled in the time interval until the EINIT (end of initialization) instruction has been executed.

Therefore, the chip start-up procedure is always monitored. The software must be designed to service the watchdog timer before it overflows. If, due to hardware or software related failures, the software fails to do so, the watchdog timer overflows and generates an internal hardware reset. It pulls the $\overline{\text{RSTOUT}}$ pin low in order to allow external hardware components to be reset.

Each of the different reset sources is indicated in the WDTCON register:

- Watchdog Timer Reset in case of an overflow
- Software Reset in case of execution of the SRST instruction
- Short, Long and Power-On Reset in case of hardware reset (and depending of reset pulse duration and RPD pin configuration)

The indicated bits are cleared with the EINIT instruction. The source of the reset can be identified during the initialization phase.

The Watchdog Timer is 16-bit, clocked with the system clock divided by 2 or 128. The high byte of the watchdog timer register can be set to a prespecified reload value (stored in WDTREL).

Each time it is serviced by the application software, the high byte of the watchdog timer is reloaded. For security, rewrite WDTCON each time before the watchdog timer is serviced

[Table 41](#) shows the watchdog time range for 40 MHz CPU clock.

Table 41. WDTREL reload value

| Reload value in WDTREL | Prescaler for $f_{\text{CPU}} = 40 \text{ MHz}$ | |
|------------------------|---|---------------------|
| | 2 (WDTIN = '0') | 128 (WDTIN = '1') |
| FFh | 12.8 μs | 819.2 μs |
| 00h | 3.277ms | 209.7ms |

20 System reset

System reset initializes the MCU in a predefined state. There are six ways to activate a reset state. The system start-up configuration is different for each case as shown in [Table 42](#).

Table 42. Reset event definition

| Reset source | Flag | RPD status | Conditions |
|----------------------------------|------|----------------|---|
| Power-on reset | PONR | Low | Power-on |
| Asynchronous hardware reset | LHWR | Low | $t_{\overline{\text{RSTIN}}} > ^{(1)}$ |
| Synchronous long hardware reset | | High | $t_{\overline{\text{RSTIN}}} > (1032 + 12)\text{TCL} + \max(4 \text{ TCL}, 500\text{ns})$ |
| Synchronous short hardware reset | SHWR | High | $t_{\overline{\text{RSTIN}}} > \max(4 \text{ TCL}, 500\text{ns})$ $t_{\overline{\text{RSTIN}}} \leq (1032 + 12)\text{TCL} + \max(4 \text{ TCL}, 500\text{ns})$ |
| Watchdog timer reset | WDTR | ⁽²⁾ | WDT overflow |
| Software reset | SWR | ⁽³⁾ | SRST instruction execution |

- $\overline{\text{RSTIN}}$ pulse should be longer than 500ns (Filter) and than settling time for configuration of Port0.
- See next [Section 20.1](#) for more details on minimum reset pulse duration
- The RPD status has no influence unless Bidirectional Reset is activated (bit `BDRSTEN` in `SYSCON`): RPD low inhibits the Bidirectional reset on SW and WDT reset events, that is $\overline{\text{RSTIN}}$ is not activated (refer to [Sections 20.4, 20.5 and 20.6](#)).

The figures in the upcoming sections [20.2](#), [20.3](#), [20.5](#) and [20.6](#) use the following terminology:

- **transparent** = level of the pin affects the internal reset logic
- **not transparent** = level of the pin does not affect internal logic

20.1 Input filter

On the $\overline{\text{RSTIN}}$ input pin an on-chip RC filter is implemented. It is sized to filter all spikes shorter than 50ns. On the other hand, a valid pulse longer than 500ns is required for the ST10 to recognize a reset command. In between 50ns and 500ns a pulse can either be filtered or recognized as valid, depending on the operating conditions and process variations.

For this reason all minimum durations mentioned in this chapter for the different kinds of reset events must be carefully evaluated, taking into account the above requirements.

In particular, for Short Hardware Reset, where only 4 TCL is specified as minimum input reset pulse duration, the operating frequency is a key factor.

Examples:

- For a CPU clock of 40 MHz, 4 TCL is 50ns, so it would be filtered. In this case the minimum becomes the one imposed by the filter (that is 500ns).
- For a CPU clock of 4 MHz, 4 TCL is 500ns. In this case the minimum from the formula is coherent with the limit imposed by the filter.

20.2 Asynchronous reset

An asynchronous reset is triggered when $\overline{\text{RSTIN}}$ pin is pulled low while RPD pin is at low level. Then the ST10F273M is immediately (after the input filter delay) forced in reset default state. It pulls low RSTOUT pin, it cancels pending internal hold states if any, it aborts all internal/external bus cycles, it switches buses (data, address and control signals) and I/O pin drivers to high-impedance, it pulls high Port0 pins.

Note: If an asynchronous reset occurs during a read or write phase in internal memories, the content of the memory itself could be corrupted: To avoid this, synchronous reset usage is strongly recommended.

Power-on reset

The asynchronous reset must be used during the power-on of the device. Depending on crystal or resonator frequency, the on-chip oscillator needs about 1ms to 10ms to stabilize (refer to [Section 24: Electrical characteristics](#)), with an already stable V_{DD} . The logic of the ST10F273M does not need a stabilized clock signal to detect an asynchronous reset, so it is suitable for power-on conditions. To ensure a proper reset sequence, the $\overline{\text{RSTIN}}$ pin and the RPD pin must be held at low level until the device clock signal is stabilized and the system configuration value on Port0 is settled.

At power-on it is important to respect some additional constraints introduced by the start-up phase of the different embedded modules.

In particular the on-chip voltage regulator needs at least 1ms to stabilize the internal 1.8V for the core logic: this time is computed from when the external reference (V_{DD}) becomes stable (inside specification range, that is at least 4.5V). This is a constraint for the application hardware (external voltage regulator): the $\overline{\text{RSTIN}}$ pin assertion shall be extended to guarantee the voltage regulator stabilization.

A second constraint is imposed by the embedded Flash. When booting from internal memory, starting from $\overline{\text{RSTIN}}$ releasing, it needs a maximum of 1ms for its initialization: before that, the internal reset (RST signal) is not released, so the CPU does not start code execution in internal memory.

Note: This is not true if external memory is used (pin $\overline{\text{EA}}$ held low during reset phase). In this case, once $\overline{\text{RSTIN}}$ pin is released, and after few CPU clock (Filter delay plus 3..8 TCL), the internal reset signal RST is released as well, so the code execution can start immediately after. Obviously, an eventual access to the data in internal Flash is forbidden before its initialization phase is completed: an eventual access during starting phase will return FFFFh (just at the beginning), while later 009Bh (an illegal opcode trap can be generated).

At power-on, the $\overline{\text{RSTIN}}$ pin shall be tied low for a minimum time that includes also the start-up time of the main oscillator ($t_{\text{STUP}} = 1\text{ms}$ for resonator, 10ms for crystal) and PLL synchronization time ($t_{\text{PSUP}} = 200\mu\text{s}$): this means that if the internal Flash is used, the $\overline{\text{RSTIN}}$ pin could be released before the main oscillator and PLL are stable to recover some time in the start-up phase (Flash initialization only needs stable V_{18} , but does not need stable system clock since an internal dedicated oscillator is used).

Warning: It is recommended to provide the external hardware with a current limitation circuitry. This is necessary to avoid permanent damage of the device during the power-on transient, when the capacitance on V_{18} pin is charged. For the on-chip voltage regulator functionality 10nF is sufficient:

In any case, a maximum of 100nF on V₁₈ pin should not generate problems of over-current (higher value is allowed if current is limited by the external hardware). External current limitation is nevertheless also recommended to avoid risks of damage in case of a temporary short between V₁₈ and ground: The internal 1.8V drivers are sized to drive currents of several tens of amps, so the current must be limited by the external hardware.

The limit of current is imposed by power dissipation considerations (refer to [Section 24: Electrical characteristics](#)).

In Figures 18 and 19 Asynchronous Power-on timing diagrams are shown, respectively with boot from internal or external memory, highlighting the reset phase extension introduced by the embedded IFlash module when selected.

Caution: Never power the device without keeping the RSTIN pin grounded: The device could enter into unpredictable states, risking also permanent damage.

Figure 18. Asynchronous power-on RESET ($\overline{EA} = 1$)

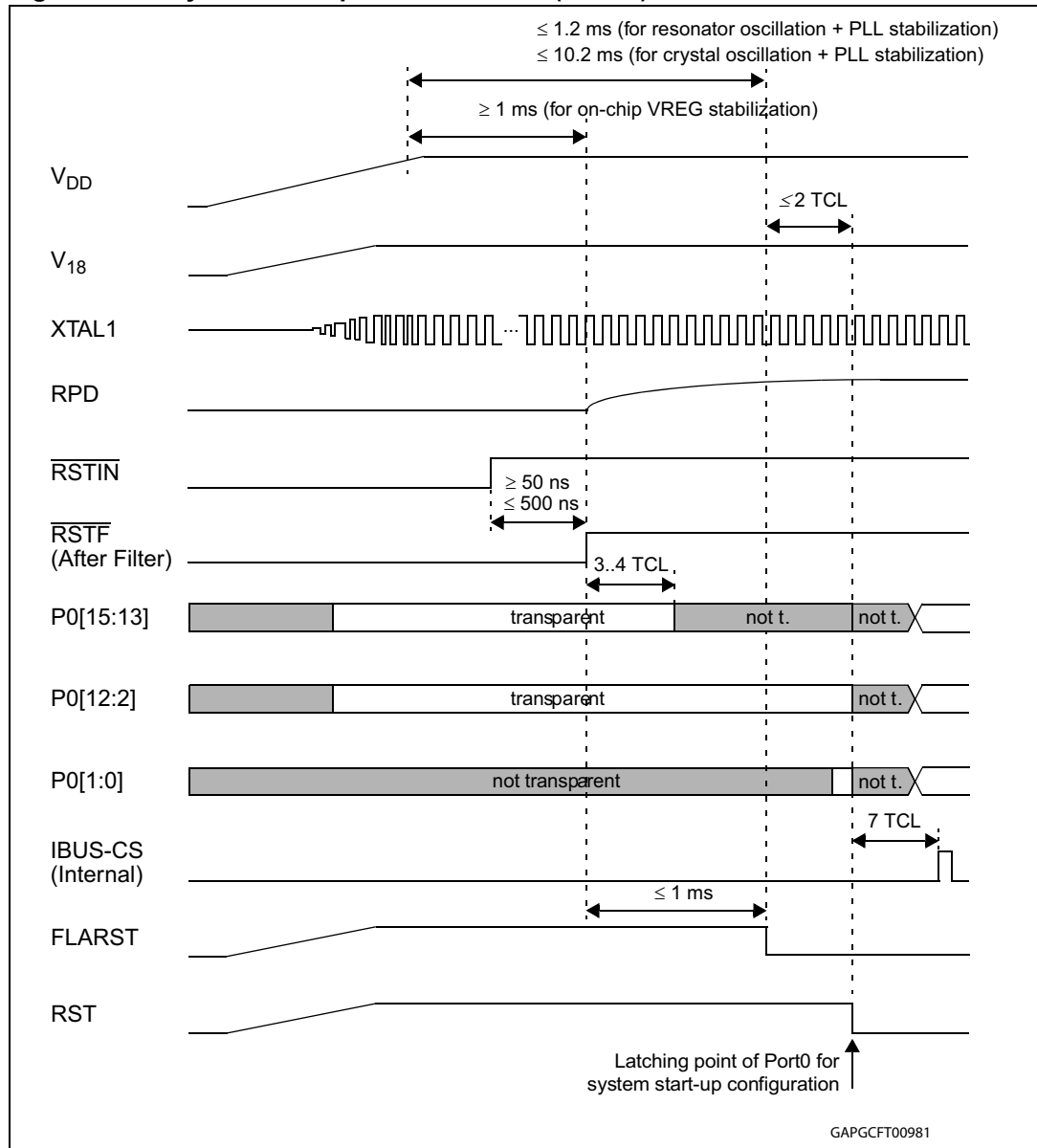
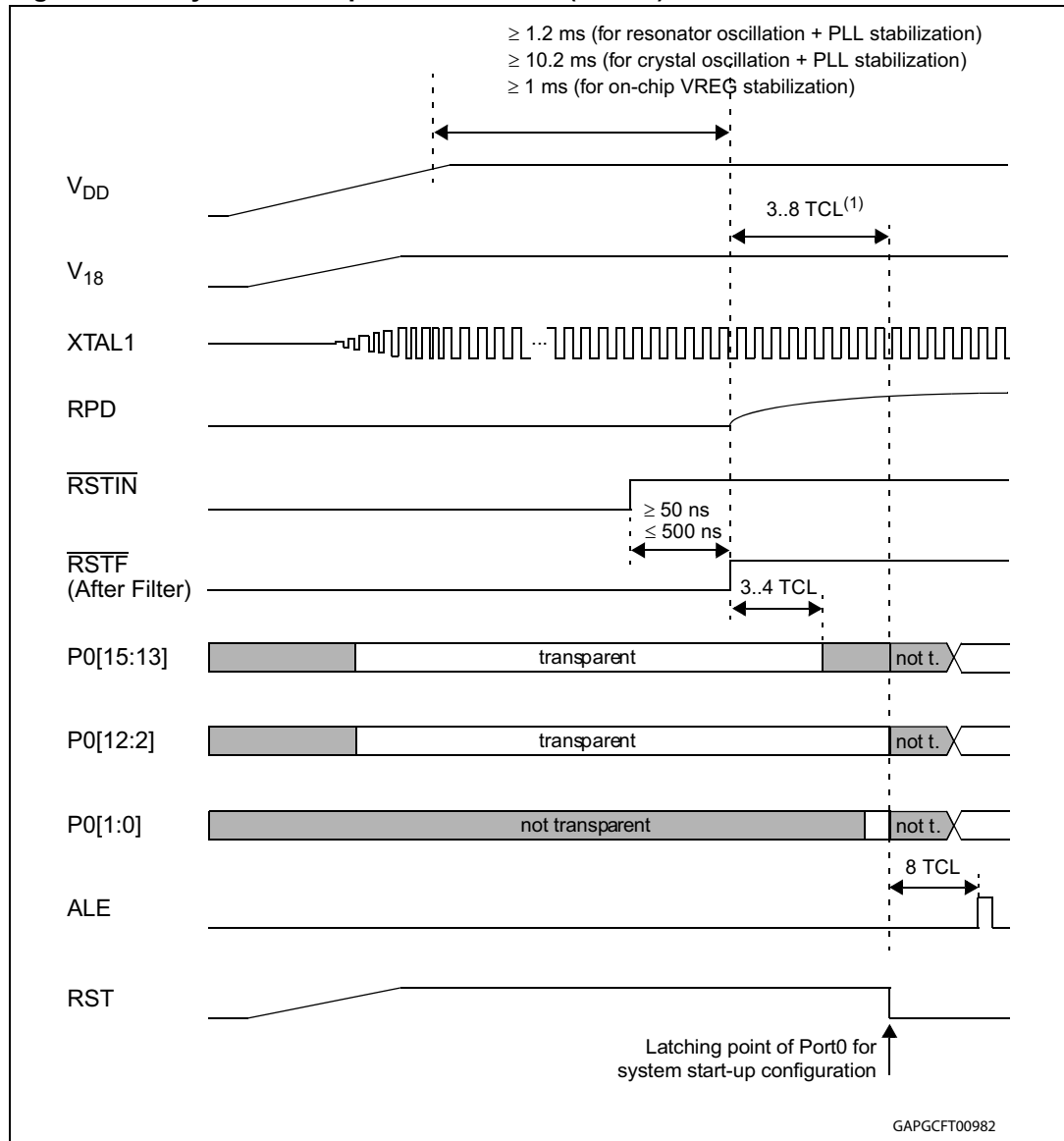


Figure 19. Asynchronous power-on RESET ($\overline{EA} = 0$)

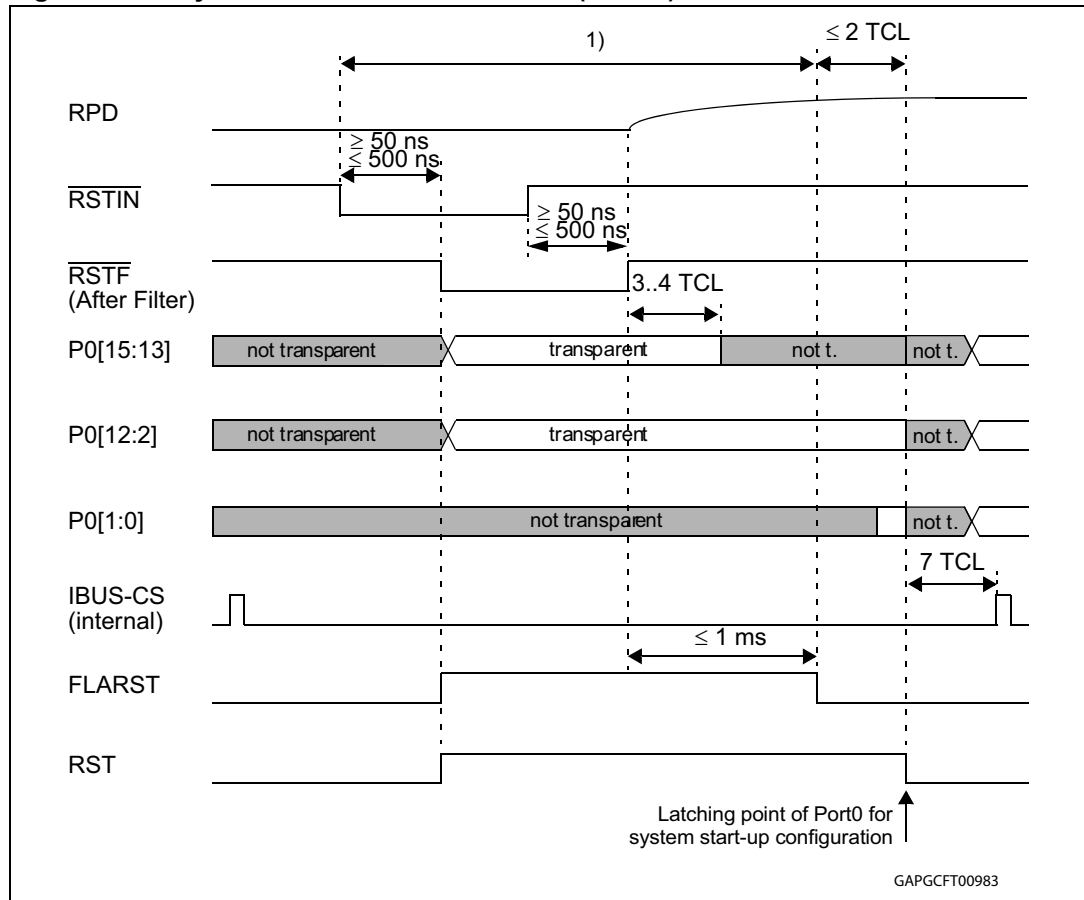


1. 3 to 8 TCL depending on clock source selection

Hardware reset

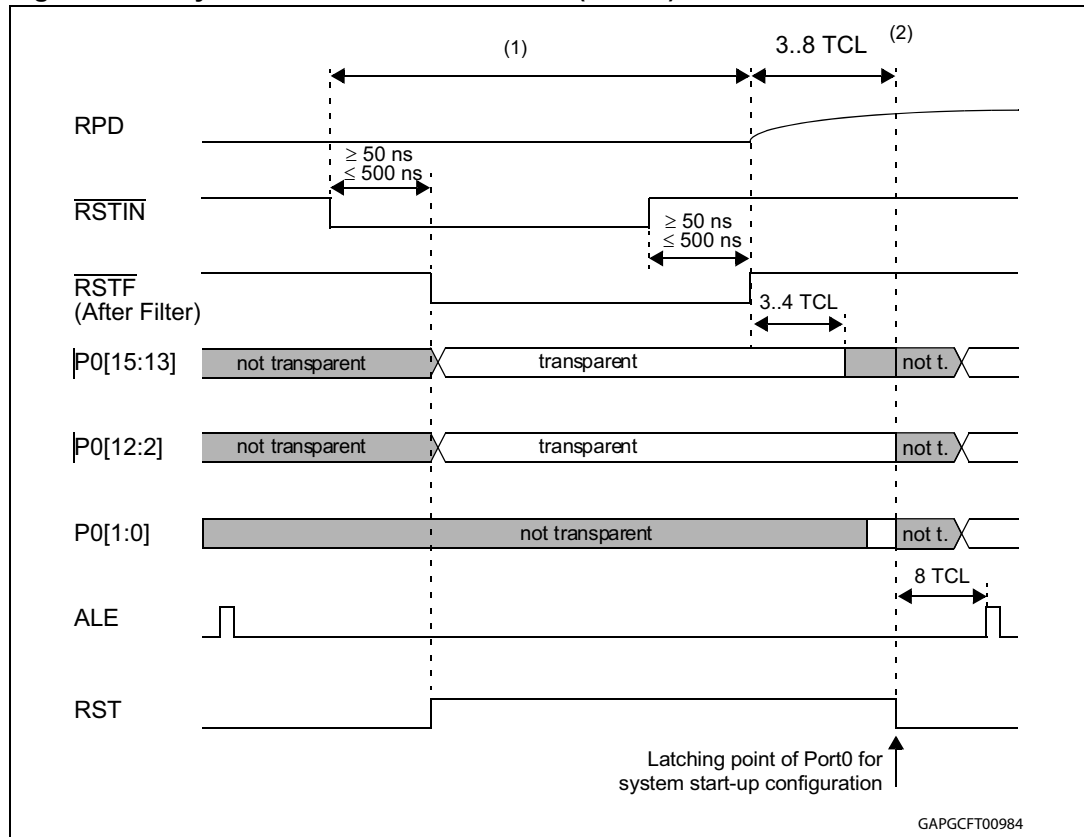
The asynchronous reset must be used to recover from catastrophic situations of the application. It may be triggered by the hardware of the application. Internal hardware logic and application circuitry are described in Reset circuitry chapter and Figures 31, 32 and 33. It occurs when \overline{RSTIN} is low and RPD is detected (or becomes) low as well.

Figure 20. Asynchronous hardware RESET ($\overline{EA} = 1$)



1. Longer than Port0 settling time + PLL synchronization (if needed, that is P0(15:13) changed). Longer than 500ns to take into account of Input Filter on RSTIN pin.

Figure 21. Asynchronous hardware RESET ($\overline{EA} = 0$)



1. Longer than Port0 settling time + PLL synchronization (if needed, that is P0(15:13) changed). Longer than 500ns to take into account of Input Filter on RSTIN pin.
2. 3 to 8 TCL depending on clock source selection.

Exit from asynchronous reset state

When the \overline{RSTIN} pin is pulled high, the device restarts: As already mentioned, if internal Flash is used, the restarting occurs after the embedded Flash initialization routine is completed. The system configuration is latched from Port0: ALE, \overline{RD} and $\overline{WR/WRL}$ pins are driven to their inactive level. The ST10F273M starts program execution from memory location 00'0000h in code segment 0. This starting location will typically point to the general initialization routine. The timings of asynchronous Hardware Reset sequence are summarized in [Figure 20](#) and [Figure 21](#).

20.3 Synchronous reset (warm reset)

A synchronous reset is triggered when \overline{RSTIN} pin is pulled low while RPD pin is at high level. In order to properly activate the internal reset logic of the device, the \overline{RSTIN} pin must be held low, at least, during 4 TCL (two periods of CPU clock): refer also to [Section 20.1](#) for details on minimum reset pulse duration. The I/O pins are set to high impedance and \overline{RSTOUT} pin is driven low. After \overline{RSTIN} level is detected, a short duration of a maximum of 12 TCL (six periods of CPU clock) elapses, during which pending internal hold states are cancelled and the current internal access cycle if any is completed. External bus cycle is aborted. The internal pull-down of \overline{RSTIN} pin is activated if bit BDRSTEN of SYSCON

register was previously set by software. Note that this bit is always cleared on power-on or after a reset sequence.

Short and long synchronous reset

Once the first maximum 16 TCL are elapsed (4+12TCL), the internal reset sequence starts. It is 1024 TCL cycles long: at the end of it, and after other 8TCL the level of $\overline{\text{RSTIN}}$ is sampled (after the filter, see $\overline{\text{RSTF}}$ in the drawings): if it is already at high level, only Short Reset is flagged (refer to [Chapter 19](#) for details on reset flags); if it is recognized still low, the Long reset is flagged as well. The major difference between Long and Short reset is that during the Long reset, also P0(15:13) become transparent, so it is possible to change the clock options.

Warning: In case of a short pulse on $\overline{\text{RSTIN}}$ pin, and when Bidirectional reset is enabled, the $\overline{\text{RSTIN}}$ pin is held low by the internal circuitry. At the end of the 1024 TCL cycles, the $\overline{\text{RSTIN}}$ pin is released, but due to the presence of the input analog filter the internal input reset signal ($\overline{\text{RSTF}}$ in the drawings) is released later (from 50 to 500ns). This delay is in parallel with the additional 8 TCL, at the end of which the internal input reset line ($\overline{\text{RSTF}}$) is sampled, to decide if the reset event is Short or Long. In particular:

- If 8 TCL > 500ns ($f_{\text{CPU}} < 8$ MHz), the reset event is always recognized as Short
- If 8 TCL < 500ns ($f_{\text{CPU}} > 8$ MHz), the reset event could be recognized either as Short or Long, depending on the real filter delay (between 50 and 500ns) and the CPU frequency ($\overline{\text{RSTF}}$ sampled High means Short reset, $\overline{\text{RSTF}}$ sampled Low means Long reset). Note that in case a Long Reset is recognized, once the 8 TCL are elapsed, the P0(15:13) pins becomes transparent, so the system clock can be reconfigured. The port returns not transparent 3-4TCL after the internal $\overline{\text{RSTF}}$ signal becomes high.

The same behavior just described, occurs also when unidirectional reset is selected and $\overline{\text{RSTIN}}$ pin is held low till the end of the internal sequence (exactly 1024TCL + max 16 TCL) and released exactly at that time.

Note: When running with CPU frequency lower than 40 MHz, the minimum valid reset pulse to be recognized by the CPU (4 TCL) could be longer than the minimum analog filter delay (50ns); so it might happen that a short reset pulse is not filtered by the analog input filter, but on the other hand it is not long enough to trigger a CPU reset (shorter than 4 TCL): this would generate a Flash reset but not a system reset. In this condition, the Flash answers always with FFFFh, which leads to an illegal opcode and consequently a trap event is generated.

Exit from synchronous reset state

The reset sequence is extended until $\overline{\text{RSTIN}}$ level becomes high. Besides, it is internally prolonged by the Flash initialization when $\overline{\text{EA}} = 1$ (internal memory selected). Then, the code execution restarts. The system configuration is latched from Port0, and ALE, $\overline{\text{RD}}$ and $\overline{\text{WR/WRL}}$ pins are driven to their inactive level. The ST10F273M starts program execution from memory location 00'0000h in code segment 0. This starting location will typically point to the general initialization routine. Timing of synchronous reset sequence are summarized in [Figure 22](#) and [Figure 23](#) where a Short Reset event is shown, with particular emphasis on the fact that it can degenerate into Long Reset: The two figures show the behavior when

booting from internal or external memory respectively. [Figure 24](#) and [Figure 25](#) report the timing of a typical synchronous Long Reset, again when booting from internal or external memory.

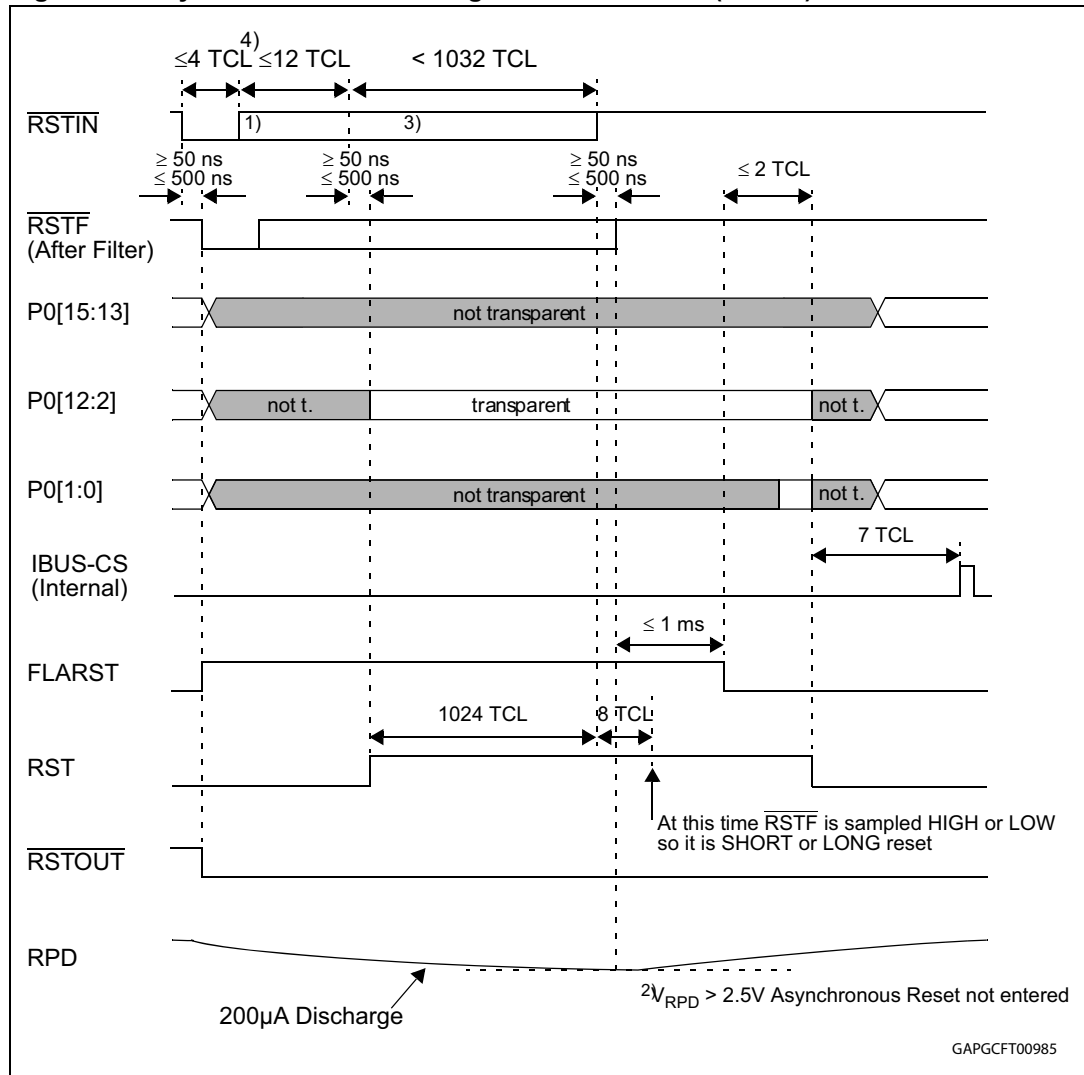
Synchronous reset and RPD pin

Whenever the $\overline{\text{RSTIN}}$ pin is pulled low (by external hardware or as a consequence of a Bidirectional reset), the RPD internal weak pull-down is activated. The external capacitance (if any) on RPD pin is slowly discharged through the internal weak pull-down. If the voltage level on RPD pin reaches the input low threshold (around 2.5V), the reset event becomes immediately asynchronous. In case of hardware reset (short or long) the situation goes immediately to the one illustrated in [Figure 20](#). There is no effect if RPD comes again above the input threshold: the asynchronous reset is completed coherently. To grant the normal completion of a synchronous reset, the value of the capacitance shall be big enough to maintain the voltage on RPD pin sufficient high along the duration of the internal reset sequence.

For a Software or Watchdog reset events, an active synchronous reset is completed regardless of the RPD status.

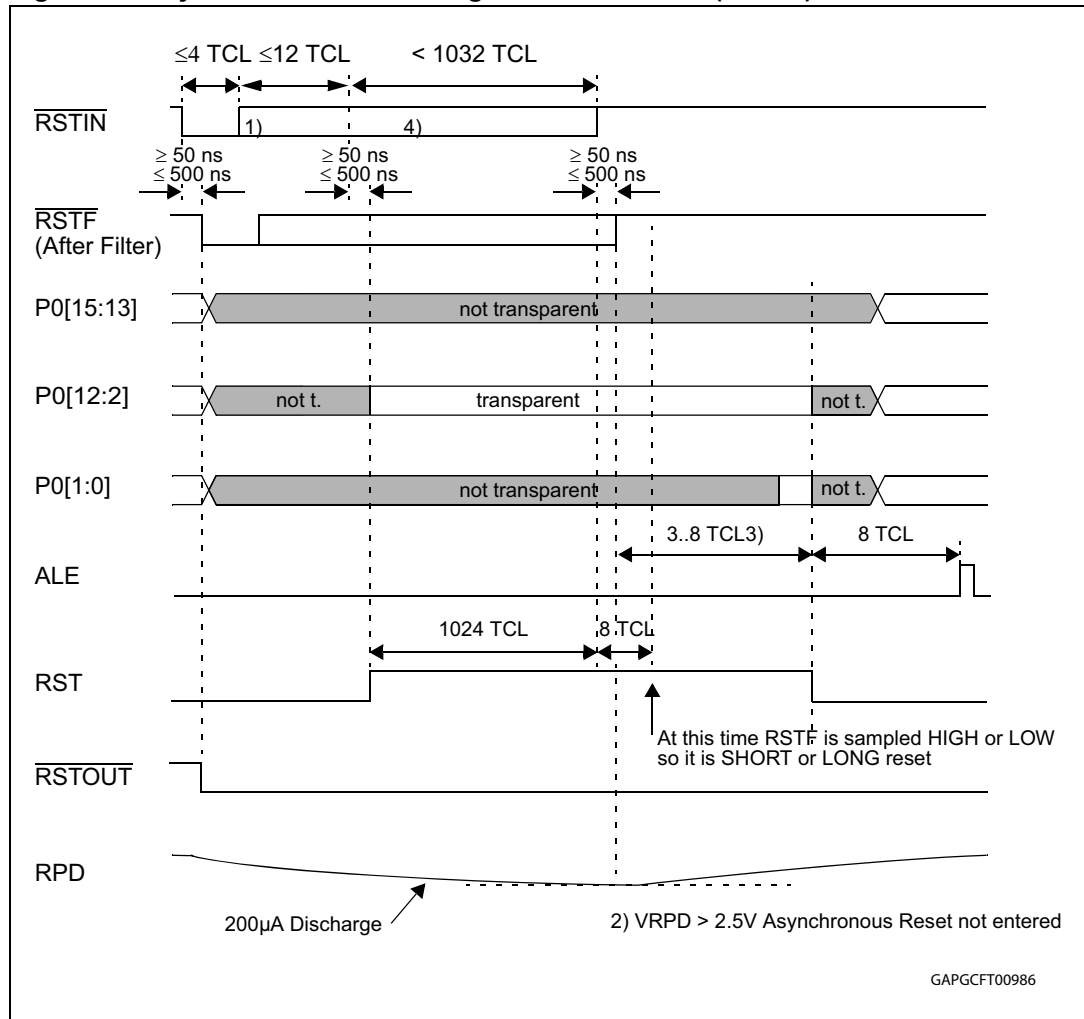
It is important to highlight that the signal that makes RPD status transparent under reset is the internal $\overline{\text{RSTF}}$ (after the noise filter).

Figure 22. Synchronous short / long hardware RESET ($\overline{EA} = 1$)



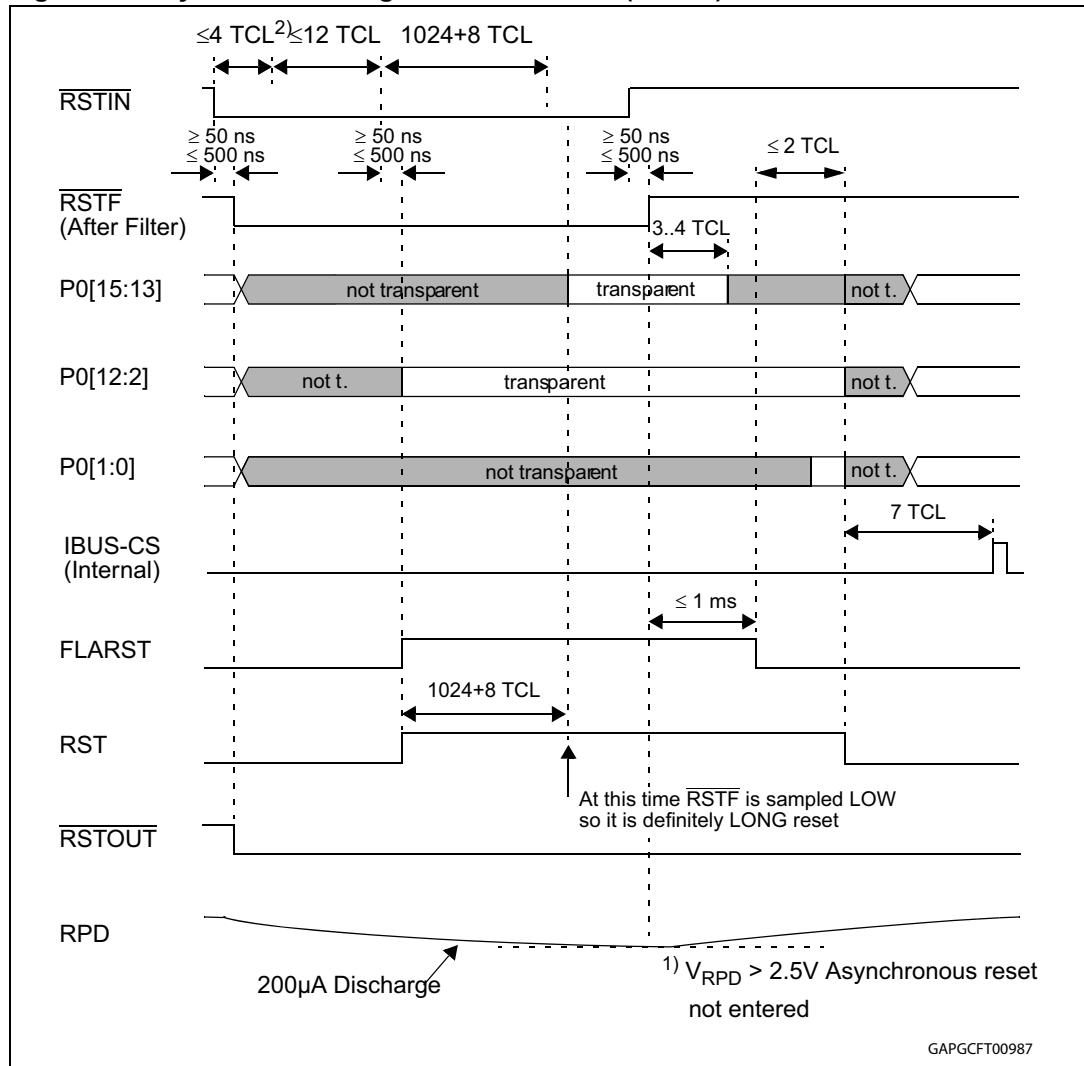
1. RSTIN assertion can be released there. Refer also to [Section 21.1](#) for details on minimum pulse duration.
2. If during the reset condition (RSTIN low), RPD voltage drops below the threshold voltage (about 2.5V for 5V operation), the asynchronous reset is then immediately entered.
3. RSTIN pin is pulled low if bit BDRSTEN (bit 3 of SYSCON register) was previously set by software. Bit BDRSTEN is cleared after reset.
4. Minimum RSTIN low pulse duration shall also be longer than 500ns to guarantee the pulse is not masked by the internal filter (refer to [Section 21.1](#)).

Figure 23. Synchronous short / long hardware RESET ($\overline{EA} = 0$)



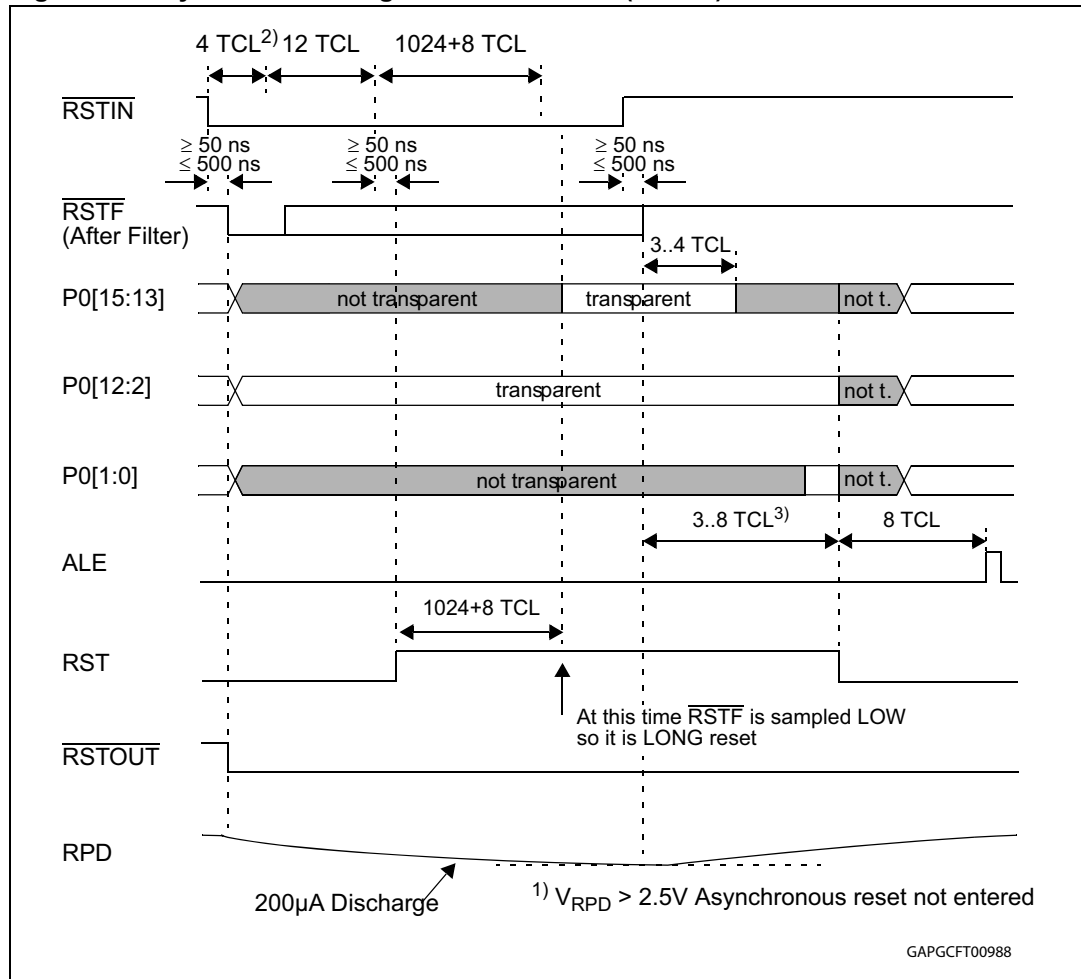
1. RSTIN assertion can be released there. Refer also to [Section 21.1](#) for details on minimum pulse duration.
2. If during the reset condition (RSTIN low), RPD voltage drops below the threshold voltage (about 2.5V for 5V operation), the asynchronous reset is then immediately entered.
3. 3 to 8 TCL depending on clock source selection.
4. RSTIN pin is pulled low if bit BDRSTEN (bit 3 of SYSCON register) was previously set by software. Bit BDRSTEN is cleared after reset.
5. Minimum RSTIN low pulse duration shall also be longer than 500ns to guarantee the pulse is not masked by the internal filter (refer to [Section 21.1](#)).

Figure 24. Synchronous long hardware RESET ($\overline{EA} = 1$)



1. If during the reset condition (\overline{RSTIN} low), RPD voltage drops below the threshold voltage (about 2.5V for 5V operation), the asynchronous reset is then immediately entered. Even if RPD returns above the threshold, the reset is definitely taken as asynchronous.
2. Minimum \overline{RSTIN} low pulse duration shall also be longer than 500ns to guarantee the pulse is not masked by the internal filter (refer to [Section 21.1](#)).

Figure 25. Synchronous long hardware RESET ($\overline{EA} = 0$)



1. If during the reset condition (\overline{RSTIN} low), RPD voltage drops below the threshold voltage (about 2.5V for 5V operation), the asynchronous reset is then immediately entered.
2. Minimum \overline{RSTIN} low pulse duration shall also be longer than 500ns to guarantee the pulse is not masked by the internal filter (refer to [Section 21.1](#)).
3. 3 to 8 TCL depending on clock source selection.

20.4 Software reset

A software reset sequence can be triggered at any time by the protected SRST (software reset) instruction. This instruction can be deliberately executed within a program, for example, to leave bootstrap loader mode, or on a hardware trap that reveals system failure.

On execution of the SRST instruction, the internal reset sequence is started. The microcontroller behavior is the same as for a synchronous short reset, except that only bits P0.12...P0.8 are latched at the end of the reset sequence, while previously latched, bits P0.7...P0.2 are cleared (that is written at '1').

A Software reset is always taken as synchronous: there is no influence on Software Reset behavior with RPD status. In case Bidirectional Reset is selected, a Software Reset event pulls \overline{RSTIN} pin low: this occurs only if RPD is high; if RPD is low, \overline{RSTIN} pin is not pulled low even though Bidirectional Reset is selected.

Refer to the next [Figure 26](#) and [Figure 27](#) for unidirectional SW reset timing, and to [Figure 28](#), [Figure 29](#) and [Figure 30](#) for bidirectional.

20.5 Watchdog timer reset

When the watchdog timer is not disabled during the initialization, or serviced regularly during program execution, it will overflow and trigger the reset sequence.

Unlike hardware and software resets, the watchdog reset completes a running external bus cycle if this bus cycle either does not use READY, or if READY is sampled active (low) after the programmed wait states.

When READY is sampled inactive (high) after the programmed wait states the running external bus cycle is aborted. Then the internal reset sequence is started.

Bit P0.12...P0.8 are latched at the end of the reset sequence and bit P0.7...P0.2 are cleared (that is written at '1').

A Watchdog reset is always taken as synchronous: there is no influence on Watchdog Reset behavior with RPD status. In case Bidirectional Reset is selected, a Watchdog Reset event pulls RSTIN pin low: this occurs only if RPD is high; if RPD is low, RSTIN pin is not pulled low even though Bidirectional Reset is selected.

Refer to the next [Figure 26](#) and [Figure 27](#) for unidirectional SW reset timing, and to [Figure 28](#), [Figure 29](#) and [Figure 30](#) for bidirectional.

Figure 26. SW / WDT unidirectional RESET ($\overline{EA} = 1$)

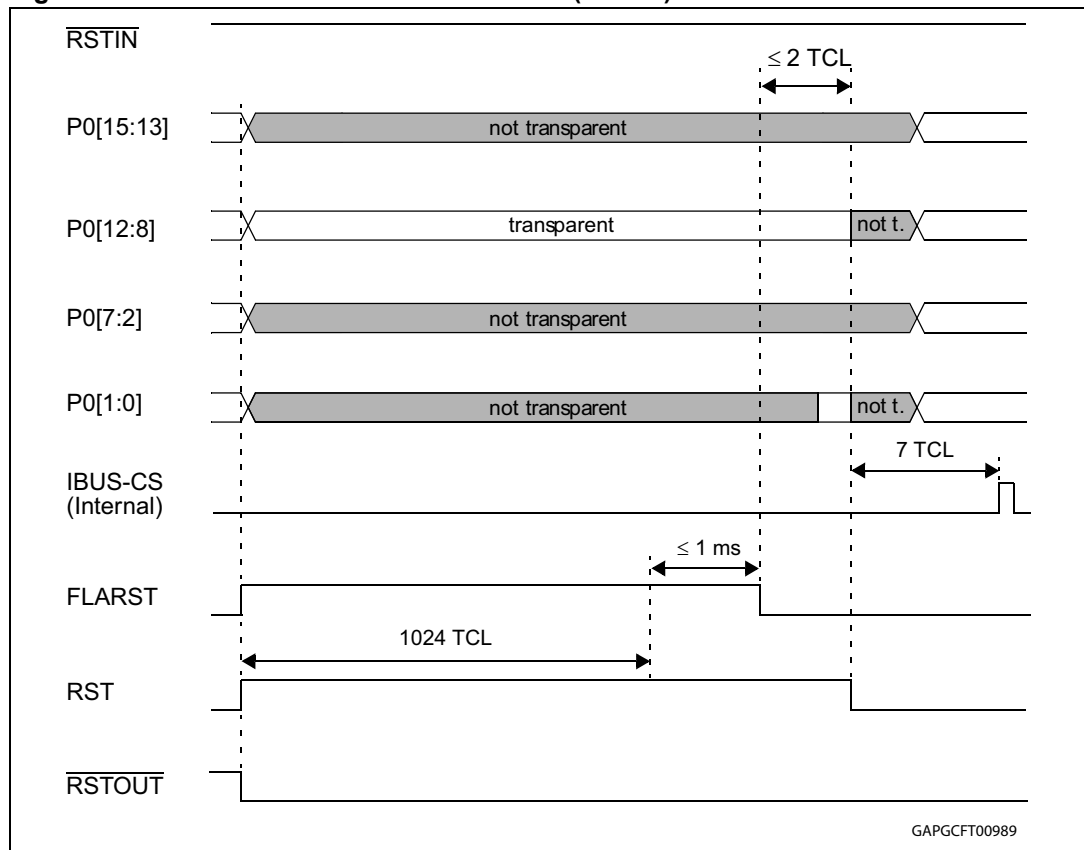
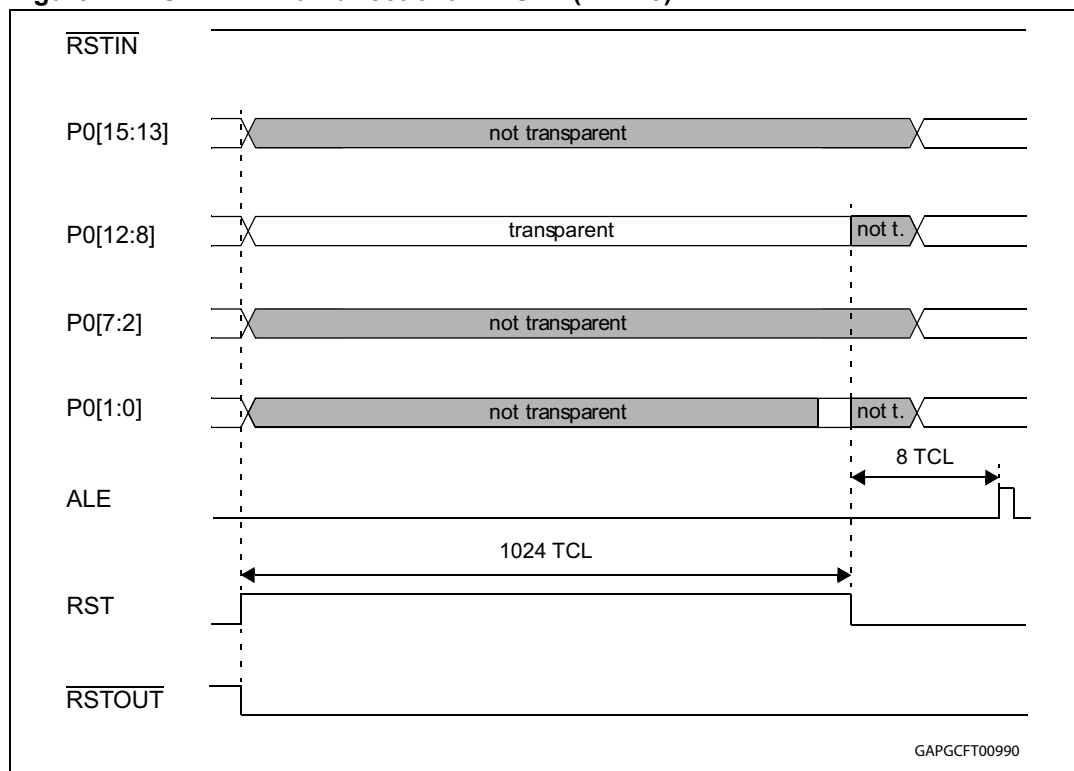


Figure 27. SW / WDT unidirectional RESET ($\overline{EA} = 0$)

20.6 Bidirectional reset

As shown in the previous sections, the \overline{RSTOUT} pin is driven active (low level) at the beginning of any reset sequence (synchronous/asynchronous hardware, software and watchdog timer resets). \overline{RSTOUT} pin stays active low beyond the end of the initialization routine, until the protected EINIT instruction (End of Initialization) is completed.

The Bidirectional Reset function is useful when external devices require a reset signal but cannot be connected to \overline{RSTOUT} pin, because \overline{RSTOUT} signal lasts during initialization. It is, for instance, the case of external memory running initialization routine before the execution of EINIT instruction.

Bidirectional reset function is enabled by setting bit 3 (BDRSTEN) in SYSCON register. It only can be enabled during the initialization routine, before EINIT instruction is completed.

When enabled, the open drain of the \overline{RSTIN} pin is activated, pulling down the reset signal, for the duration of the internal reset sequence (synchronous/asynchronous hardware, synchronous software and synchronous watchdog timer resets). At the end of the internal reset sequence the pull down is released and:

- After a Short Synchronous Bidirectional Hardware Reset, if \overline{RSTF} is sampled low eight TCL periods after the internal reset sequence completion (refer to [Figure 22](#) and [Figure 23](#)), the Short Reset becomes a Long Reset. On the contrary, if \overline{RSTF} is sampled high the device simply exits reset state.
- After a Software or Watchdog Bidirectional Reset, the device exits from reset. If \overline{RSTF} remains still low for at least four TCL periods (minimum time to recognize a Short Hardware reset) after the reset exiting (refer to [Figure 28](#) and [Figure 29](#)), the Software

or Watchdog Reset become a Short Hardware Reset. On the contrary, if \overline{RSTF} remains low for less than 4 TCL, the device simply exits reset state.

The Bidirectional reset is not effective in case RPD is held low, when a Software or Watchdog reset event occurs. On the contrary, if a Software or Watchdog Bidirectional reset event is active and RPD becomes low, the \overline{RSTIN} pin is immediately released, while the internal reset sequence is completed regardless of RPD status change (1024 TCL).

Note: The bidirectional reset function is disabled by any reset sequence (bit BDRSTEN of SYSCON is cleared). To be activated again it must be enabled during the initialization routine.

WDTCN flags

Similarly to what already highlighted in the previous section when discussing about Short reset and the degeneration into Long reset, similar situations may occur when Bidirectional reset is enabled. The presence of the internal filter on \overline{RSTIN} pin introduces a delay: when \overline{RSTIN} is released, the internal signal after the filter (see \overline{RSTF} in the drawings) is delayed, so it remains still active (low) for a while. It means that depending on the internal clock speed, a short reset may be recognized as a long reset: the WDTCN flags are set accordingly.

Besides, when either Software or Watchdog bidirectional reset events occur, again when the \overline{RSTIN} pin is released (at the end of the internal reset sequence), the \overline{RSTF} internal signal (after the filter) remains low for a while, and depending on the clock frequency it is recognized high or low: 8TCL after the completion of the internal sequence, the level of \overline{RSTF} signal is sampled, and if recognized still low a Hardware reset sequence starts, and WDTCN will flag this last event, masking the previous one (Software or Watchdog reset). Typically, a Short Hardware reset is recognized, unless the \overline{RSTIN} pin (and consequently internal signal \overline{RSTF}) is sufficiently held low by the external hardware to inject a Long Hardware reset. After this occurrence, the initialization routine is not able to recognize a Software or Watchdog bidirectional reset event, since a different source is flagged inside WDTCN register. This phenomenon does not occur when internal Flash is selected during reset ($\overline{EA} = 1$), since the initialization of the Flash itself extend the internal reset duration well beyond the filter delay.

The next [Figure 28](#), [Figure 29](#) and [Figure 30](#) summarize the timing for Software and Watchdog Timer Bidirectional reset events: In particular [Figure 30](#) shows the degeneration into Hardware reset.

Figure 28. SW / WDT bidirectional RESET ($\overline{EA} = 1$)

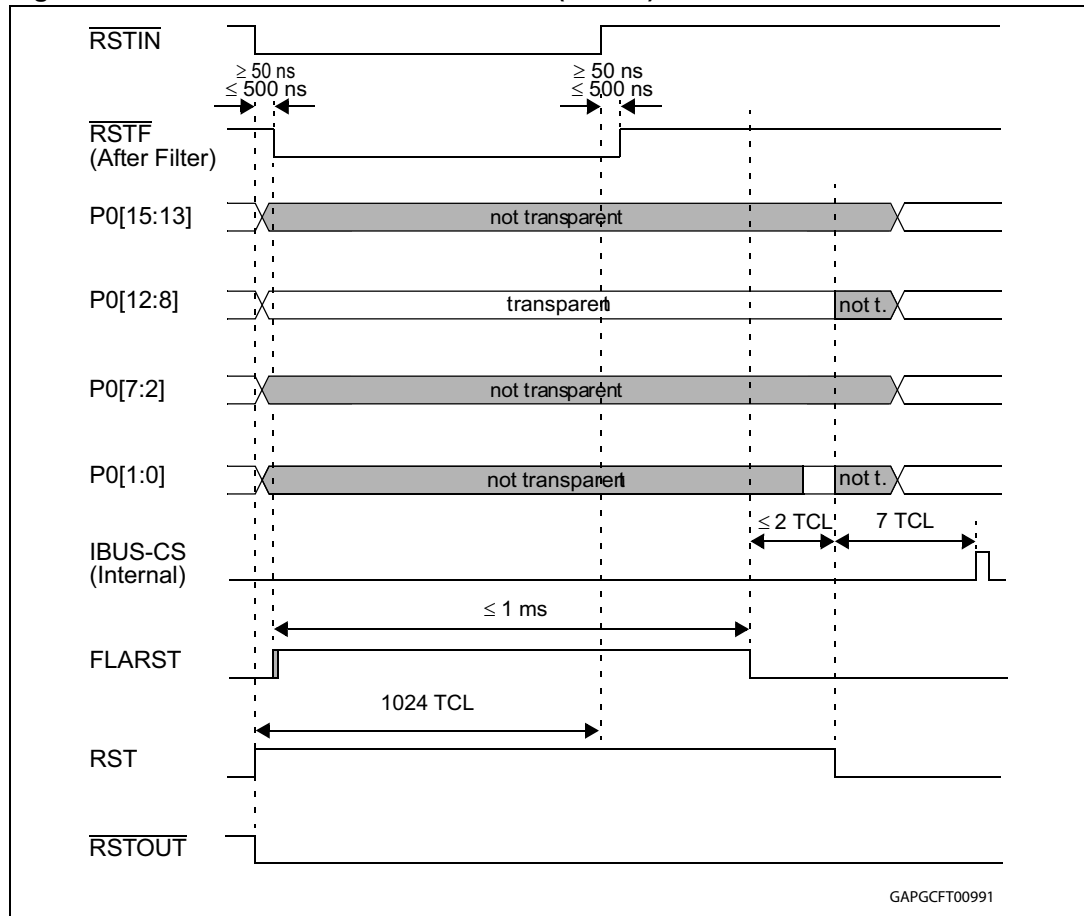


Figure 29. SW / WDT bidirectional RESET ($\overline{EA} = 0$)

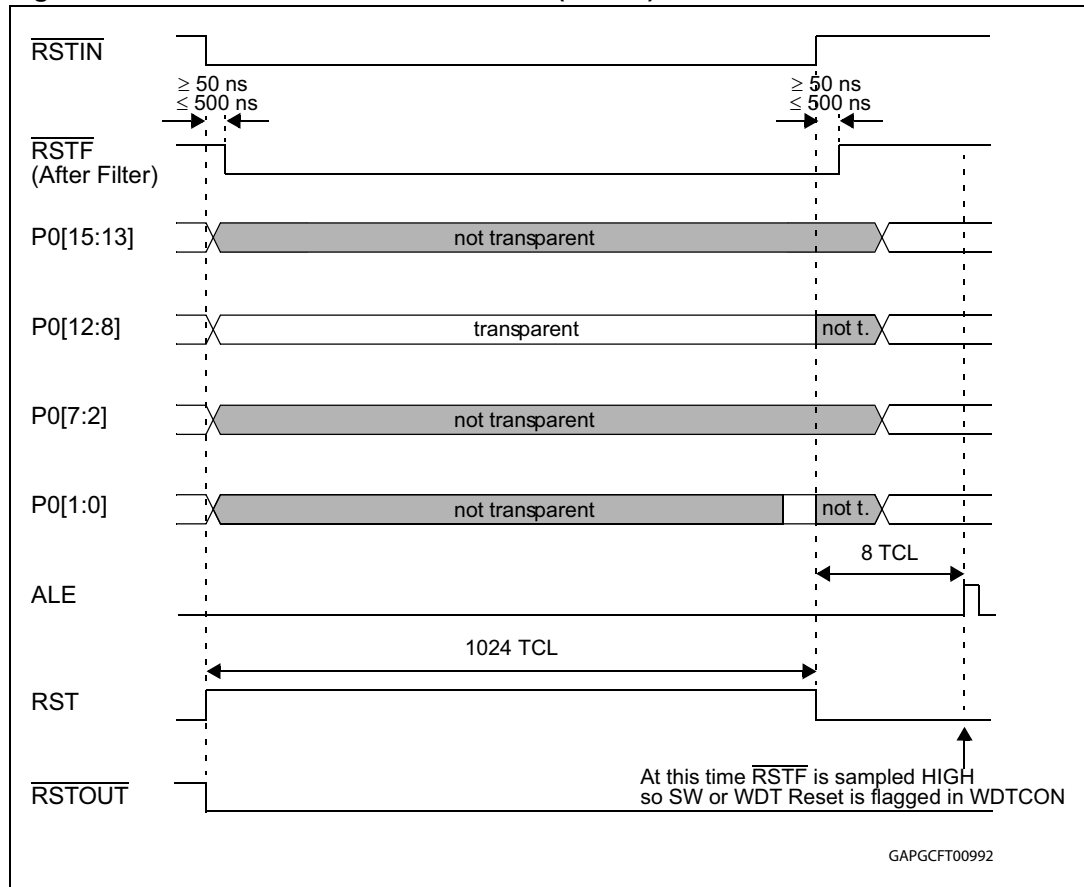
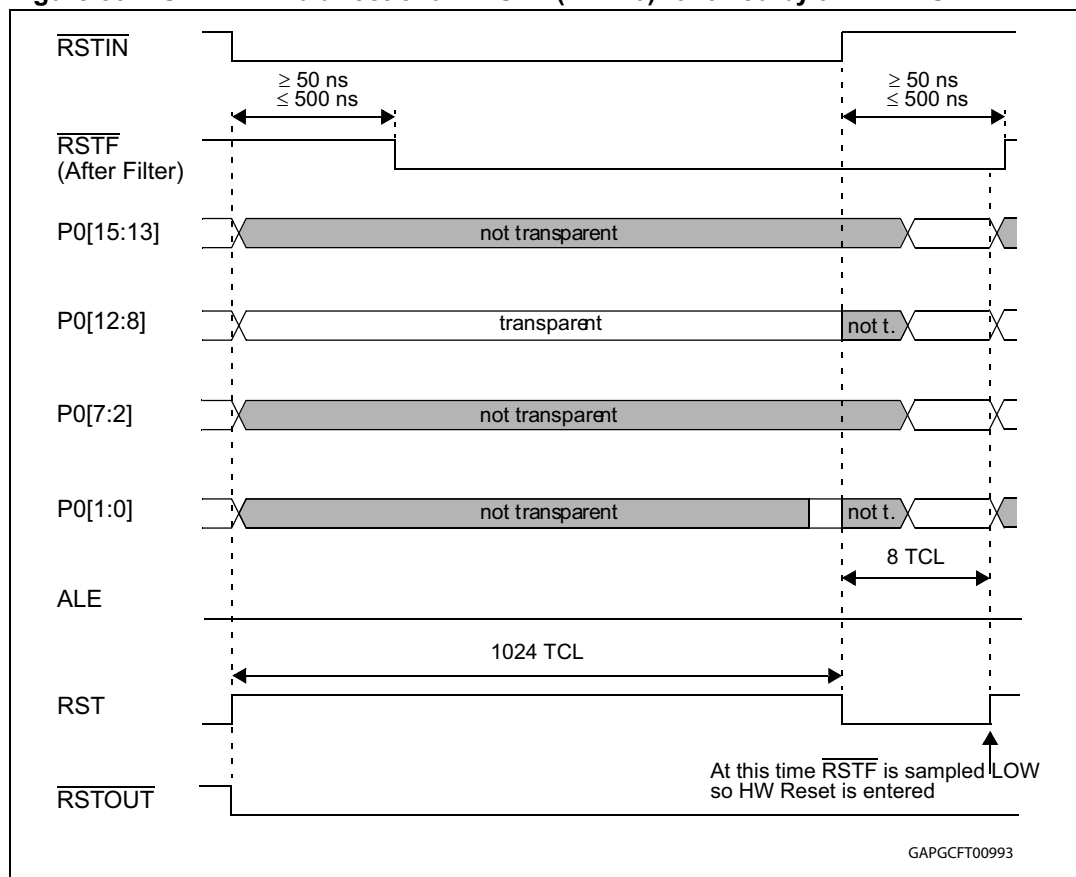


Figure 30. SW / WDT bidirectional RESET ($\overline{EA} = 0$) followed by a HW RESET



20.7 Reset circuitry

Internal reset circuitry is described in [Figure 33](#). The \overline{RSTIN} pin provides an internal pull-up resistor of 50kΩ to 250kΩ (The minimum reset time must be calculated using the lowest value).

It also provides a programmable (BDRSTEN bit of SYSCON register) pull-down to output internal reset state signal (synchronous reset, watchdog timer reset or software reset).

This bidirectional reset function is useful in applications where external devices require a reset signal but cannot be connected to \overline{RSTOUT} pin.

This is the case of an external memory running codes before EINIT (end of initialization) instruction is executed. \overline{RSTOUT} pin is pulled high only when EINIT is executed.

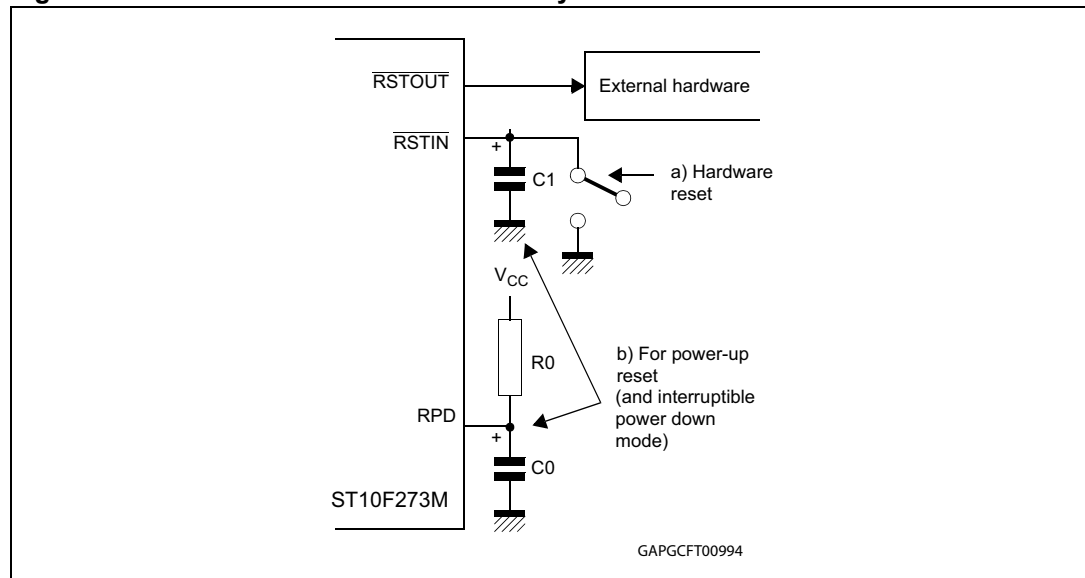
The RPD pin provides an internal weak pull-down resistor which discharges external capacitor at a typical rate of 200μA. If bit PWDCFG of SYSCON register is set, an internal pull-up resistor is activated at the end of the reset sequence. This pull-up will charge any capacitor connected on RPD pin.

The simplest way to reset the ST10F273M is to insert a capacitor C1 between \overline{RSTIN} pin and V_{SS} , and a capacitor between RPD pin and V_{SS} (C0) with a pull-up resistor R0 between RPD pin and V_{DD} . The input \overline{RSTIN} provides an internal pull-up device equalling a resistor of 50kΩ to 250kΩ (the minimum reset time must be determined by the lowest value). Select C1

that produce a sufficient discharge time to permit the internal or external oscillator and / or internal PLL and the on-chip voltage regulator to stabilize.

To ensure correct power-up reset with controlled supply current consumption, specially if clock signal requires a long period of time to stabilize, an asynchronous hardware reset is required during power-up. For this reason, it is recommended to connect the external R0-C0 circuit shown in [Figure 31](#) to the RPD pin. On power-up, the logical low level on RPD pin forces an asynchronous hardware reset when $\overline{\text{RSTIN}}$ is asserted low. The external pull-up R0 will then charge the capacitor C0. Note that an internal pull-down device on RPD pin is turned on when $\overline{\text{RSTIN}}$ pin is low, and causes the external capacitor (C0) to begin discharging at a typical rate of 100-200 μA . With this mechanism, after power-up reset, short low pulses applied on $\overline{\text{RSTIN}}$ produce synchronous hardware reset. If $\overline{\text{RSTIN}}$ is asserted longer than the time needed for C0 to be discharged by the internal pull-down device, then the device is forced in an asynchronous reset. This mechanism insures recovery from very catastrophic failure.

Figure 31. Minimum external reset circuitry



The minimum reset circuit of [Figure 31](#) is not adequate when the $\overline{\text{RSTIN}}$ pin is driven from the ST10F273M itself during software or watchdog triggered resets, because of the capacitor C1 that will keep the voltage on $\overline{\text{RSTIN}}$ pin above V_{IL} after the end of the internal reset sequence, and thus will trigger an asynchronous reset sequence.

[Figure 32](#) shows an example of a reset circuit. In this example, R1-C1 external circuit is only used to generate power-up or manual reset, and R0-C0 circuit on RPD is used for power-up reset and to exit from Power-down mode. Diode D1 creates a wired-OR gate connection to the reset pin and may be replaced by open-collector Schmitt trigger buffer. Diode D2 provides a faster cycle time for repetitive power-on resets.

R2 is an optional pull-up for faster recovery and correct biasing of TTL Open Collector drivers.

Figure 32. System reset circuit

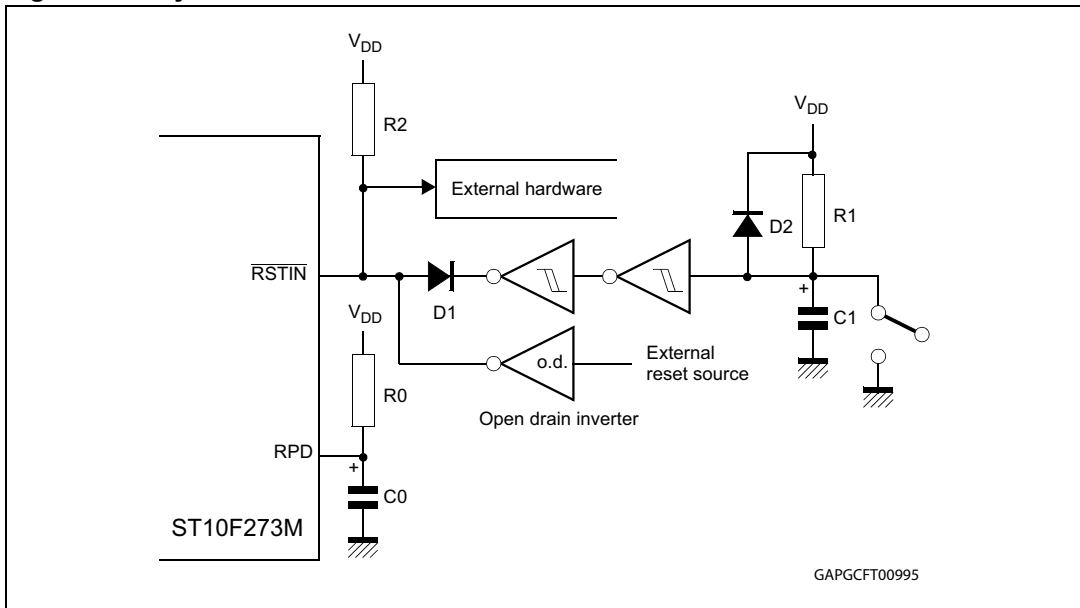
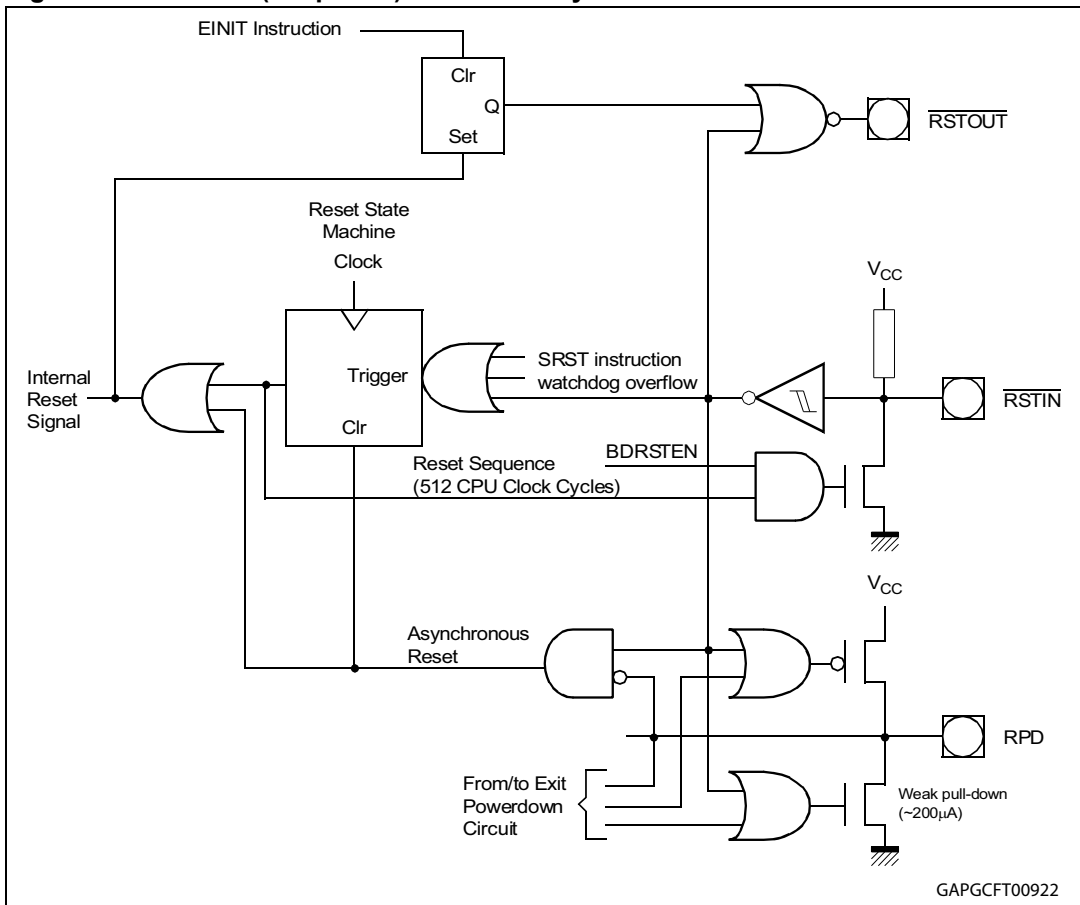


Figure 33. Internal (simplified) reset circuitry



20.8 Reset application examples

The next two timing diagrams (Figure 34 and Figure 35) provide additional examples of bidirectional internal reset events (Software and Watchdog) including in particular the external capacitances charge and discharge transients (refer also to Figure 32 for the external circuit scheme).

Figure 34. Example of software or watchdog bidirectional reset ($\overline{EA} = 1$)

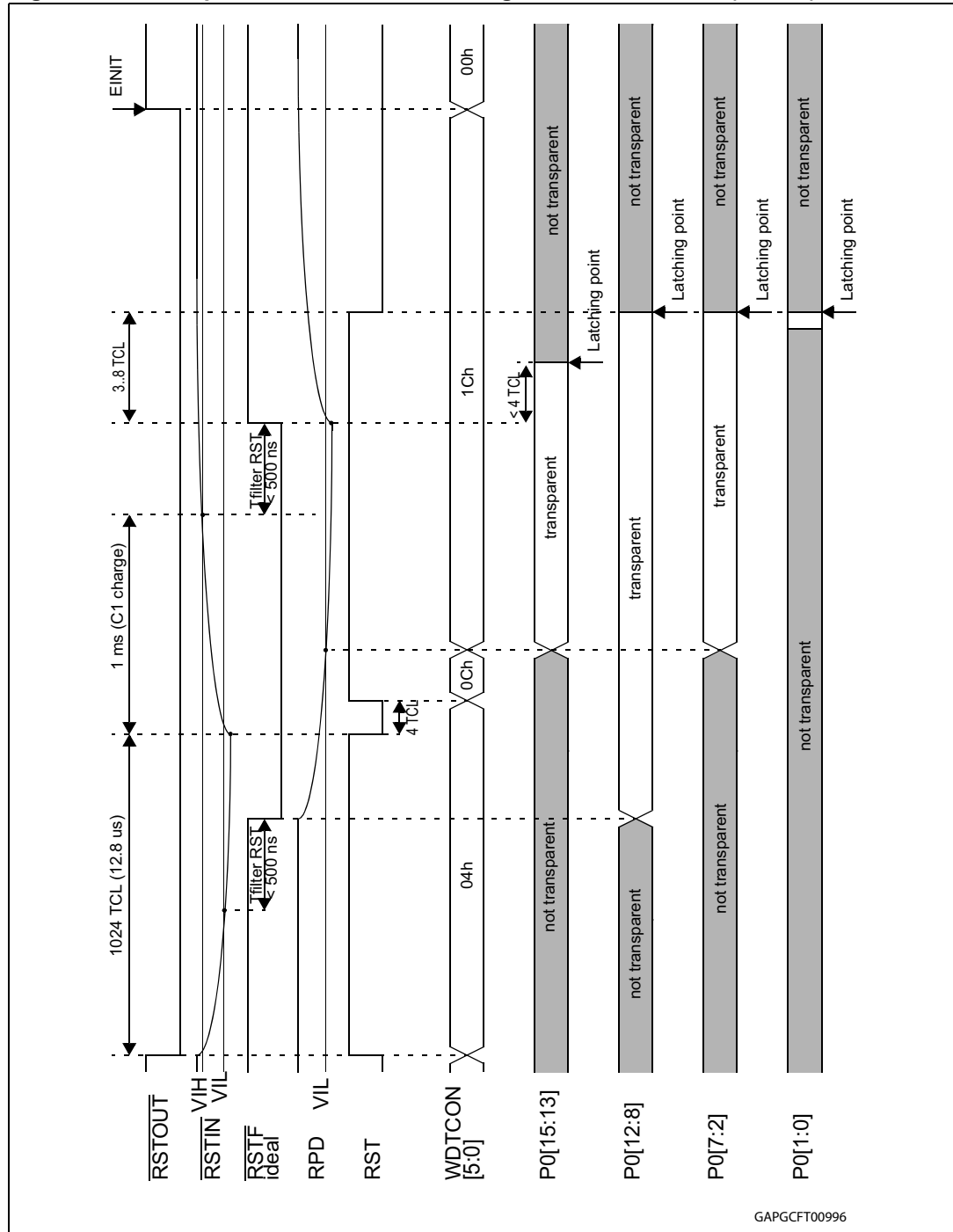
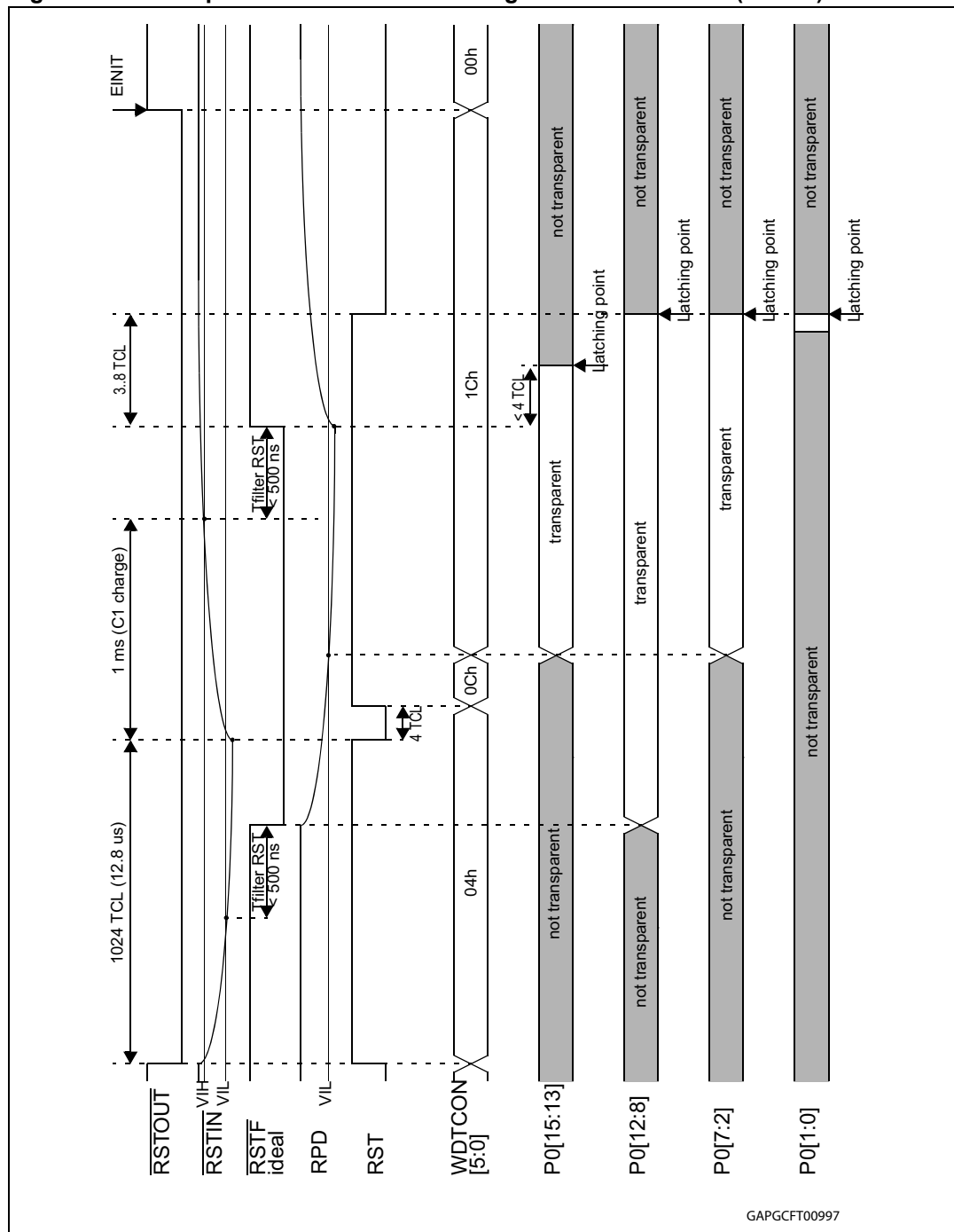


Figure 35. Example of software or watchdog bidirectional reset ($\overline{EA} = 0$)



20.9 Reset summary

The following table summarizes the different reset events.

Table 43. Reset event

| Event | RPD | EA | Bidir | Synch. Asynch. | RSTIN | | WDTCN flags | | | | |
|---|-----|----|-------|-------------------|---|--------------------------------------|-------------|------|------|-----|------|
| | | | | | Min | Max | PONR | LHWR | SHWR | SWR | WDTR |
| Power-on Reset | 0 | 0 | N | Asynch. | 1 ms (VREG) 1.2 ms (Reson. + PLL) 10.2 ms (Crystal + PLL) | - | 1 | 1 | 1 | 1 | 0 |
| | 0 | 1 | N | Asynch. | 1ms (VREG) | - | 1 | 1 | 1 | 1 | 0 |
| | 1 | x | x | | FORBIDDEN | | | | | | |
| | x | x | Y | | - | | | | | | |
| Hardware Reset (Asynchronous) | 0 | 0 | N | Asynch. | 500ns | - | 0 | 1 | 1 | 1 | 0 |
| | 0 | 1 | N | Asynch. | 500ns | - | 0 | 1 | 1 | 1 | 0 |
| | 0 | 0 | Y | Asynch. | 500ns | - | 0 | 1 | 1 | 1 | 0 |
| | 0 | 1 | Y | Asynch. | 500ns | - | 0 | 1 | 1 | 1 | 0 |
| Short Hardware Reset (Synchronous) ⁽¹⁾ | 1 | 0 | N | Synch. | max (4 TCL, 500ns) | 1032 + 12 TCL + max(4 TCL, 500ns) | 0 | 0 | 1 | 1 | 0 |
| | 1 | 1 | N | Synch. | max (4 TCL, 500ns) | 1032 + 12 TCL + max(4 TCL, 500ns) | 0 | 0 | 1 | 1 | 0 |
| | 1 | 0 | Y | Synch. | max (4 TCL, 500ns) | 1032 + 12 TCL + max(4 TCL, 500ns) | 0 | 0 | 1 | 1 | 0 |
| | | | | | Activated by internal logic for 1024 TCL | | | | | | |
| | 1 | 1 | Y | Synch. | max (4 TCL, 500ns) | 1032 + 12 TCL + max(4 TCL, 500ns) | 0 | 0 | 1 | 1 | 0 |
| | | | | | Activated by internal logic for 1024 TCL | | | | | | |
| Long Hardware Reset (Synchronous) | 1 | 0 | N | Synch. | 1032 + 12 TCL + max(4 TCL, 500ns) | - | 0 | 1 | 1 | 1 | 0 |
| | 1 | 1 | N | Synch. | 1032 + 12 TCL + max(4 TCL, 500ns) | - | 0 | 1 | 1 | 1 | 0 |
| | 1 | 0 | Y | Synch. | 1032 + 12 TCL + max(4 TCL, 500ns) | - | 0 | 1 | 1 | 1 | 0 |
| | | | | | Activated by internal logic only for 1024 TCL | | | | | | |
| | 1 | 1 | Y | Synch. | 1032 + 12 TCL + max(4 TCL, 500ns) | - | 0 | 1 | 1 | 1 | 0 |
| | | | | | Activated by internal logic only for 1024 TCL | | | | | | |

Table 43. Reset event (continued)

| Event | RPD | EA | Bidir | Synch. Asynch. | RSTIN | | WDTCN flags | | | | |
|-------------------------------|-----|----|-------|-------------------|--|-----|-------------|------|------|-----|------|
| | | | | | Min | Max | PONR | LHWR | SHWR | SWR | WDTR |
| Software Reset ⁽²⁾ | x | 0 | N | Synch. | Not activated | | 0 | 0 | 0 | 1 | 0 |
| | x | 0 | N | Synch. | Not activated | | 0 | 0 | 0 | 1 | 0 |
| | 0 | 1 | Y | Synch. | Not activated | | 0 | 0 | 0 | 1 | 0 |
| | 1 | 1 | Y | Synch. | Activated by internal logic for 1024 TCL | | 0 | 0 | 0 | 1 | 0 |
| Watchdog Reset ⁽²⁾ | x | 0 | N | Synch. | Not activated | | 0 | 0 | 0 | 1 | 1 |
| | x | 0 | N | Synch. | Not activated | | 0 | 0 | 0 | 1 | 1 |
| | 0 | 1 | Y | Synch. | Not activated | | 0 | 0 | 0 | 1 | 1 |
| | 1 | 1 | Y | Synch. | Activated by internal logic for 1024 TCL | | 0 | 0 | 0 | 1 | 1 |

1. It can degenerate into a Long Hardware Reset and consequently differently flagged (see [Section 20.3](#) for details).
2. When Bidirectional is active (and with RPD = 0), it can be followed by a Short Hardware Reset and consequently differently flagged (see [Section 20.6](#) for details).

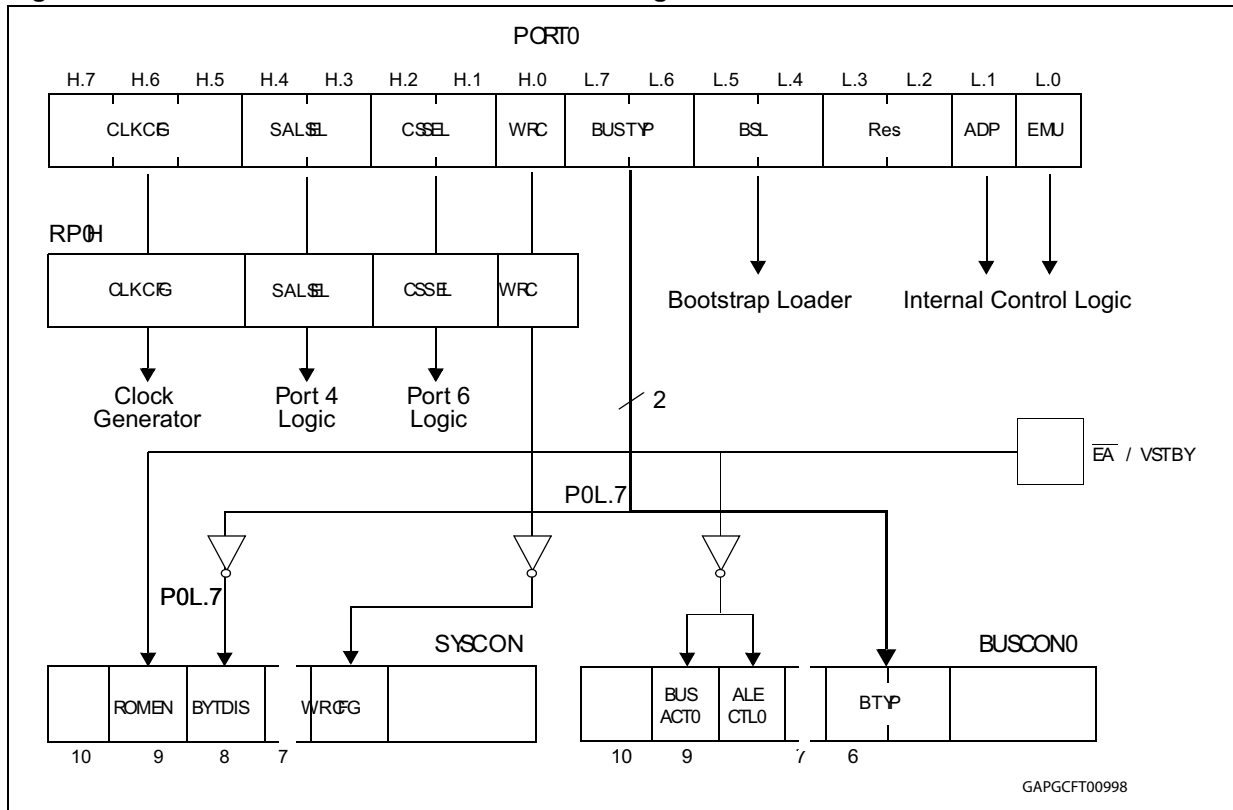
The start-up configurations and some system features are selected on reset sequences as described in [Table 44](#) and [Figure 36](#).

[Table 44](#) describes the system configuration latched on PORT0 in the six different reset modes. [Figure 36](#) summarizes the state of bits of PORT0 latched in RPOH, SYSCON, BUSCON0 registers.

Table 44. PORT0 latched configuration for the different reset events

| Sample event | PORT0 | | | | | | | | | | | | | | | |
|----------------------------------|---------------|-------|-------|-----------------------|-------|--------------|-------|------------------|----------|-------|----------|-------|----------|----------|------------|----------|
| | Clock options | | | Segment address lines | | Chip selects | | WR configuration | Bus type | | Reserved | BSL | Reserved | Reserved | Adapt mode | Emu mode |
| | P0H.7 | P0H.6 | P0H.5 | P0H.4 | P0H.3 | P0H.2 | P0H.1 | P0H.0 | P0L.7 | P0L.6 | P0L.5 | P0L.4 | P0L.3 | P0L.2 | P0L.1 | P0L.0 |
| Software Reset | - | - | - | X | X | X | X | X | X | X | - | - | - | - | - | - |
| Watchdog Reset | - | - | - | X | X | X | X | X | X | X | - | - | - | - | - | - |
| Synchronous Short Hardware Reset | - | - | - | X | X | X | X | X | X | X | X | X | X | X | X | X |
| Synchronous Long Hardware Reset | X | X | X | X | X | X | X | X | X | X | X | X | X | X | X | X |
| Asynchronous Hardware Reset | X | X | X | X | X | X | X | X | X | X | X | X | X | X | X | X |
| Asynchronous Power-On Reset | X | X | X | X | X | X | X | X | X | X | X | X | X | X | X | X |

Figure 36. PORT0 bits latched into the different registers after reset



21 Power reduction modes

Three different power reduction modes with different levels of power reduction have been implemented in the ST10F273M. In Idle mode only the CPU is stopped, while peripherals still operate. In Power-down mode both the CPU and peripherals are stopped. In Standby mode the main power supply (V_{DD}) can be turned off while a portion of the internal RAM remains powered via V_{STBY} dedicated power pin.

Idle and Power-down modes are software activated by a protected instruction and are terminated in different ways as described in the following sections.

Standby mode is entered by simply removing V_{DD} , holding the MCU under reset state.

Note: All external bus actions are completed before Idle or Power-down mode is entered. However, Idle or Power-down mode is **not** entered if *READY* is enabled, but has not been activated (driven low for negative polarity, or driven high for positive polarity) during the last bus access.

21.1 Idle mode

Idle mode is entered by running the IDLE protected instruction. The CPU operation is stopped and the peripherals still run.

Idle mode is terminated by any interrupt request. Whether or not the interrupt is serviced, the instruction following the IDLE instruction will be executed after the return from interrupt (RETI) instruction, and the CPU then resumes the normal program.

21.2 Power-down mode

Power-down mode starts by running the PWRDN protected instruction. The internal clock is stopped and all MCU parts including the watchdog timer are on hold. The only exception could be the Real Time Clock if programmed accordingly in conjunction with selecting one of the two oscillator circuits (either the main or the 32 kHz on-chip oscillator).

If the Real Time Clock module is used when the device is in Power-down mode, a reference clock is needed. In this case, two possible configurations may be selected by the user application according to the desired level of power reduction:

- A 32 kHz crystal is connected to the on-chip low-power oscillator (pins XTAL3 / XTAL4) and running. In this case the main oscillator is stopped when Power-down mode is entered, while the Real Time Clock continues counting using a 32 kHz clock signal as reference. The presence of a running low-power oscillator is detected after the Power-on: This clock is immediately assumed (if present, or as soon as it is detected) as reference for the Real Time Clock counter and it will be maintained indefinitely (unless specifically disabled via software).
- Only the main oscillator is running (XTAL1 / XTAL2 pins). In this case the main oscillator is not stopped when Power-down is entered, and the Real Time Clock continues counting using the main oscillator clock signal as reference.

There are two different operating Power-down modes: protected mode and interruptible mode.

Before entering Power-down mode (by executing the instruction PWRDN), bit VREGOFF in the XMISC register must be set.

Note: Leaving the main voltage regulator active during Power-down may lead to unexpected behavior (example: CPU wake-up) and power consumption higher than what is specified.

21.2.1 Protected power-down mode

This mode is selected when PWDCFG (bit 5) of SYSCON register is cleared. The Protected Power-down mode is only activated if the $\overline{\text{NMI}}$ pin is pulled low when executing PWRDN instruction (this means that the PWRD instruction belongs to the $\overline{\text{NMI}}$ software routine). This mode is only deactivated with an external hardware reset on $\overline{\text{RSTIN}}$ pin.

21.2.2 Interruptible power-down mode

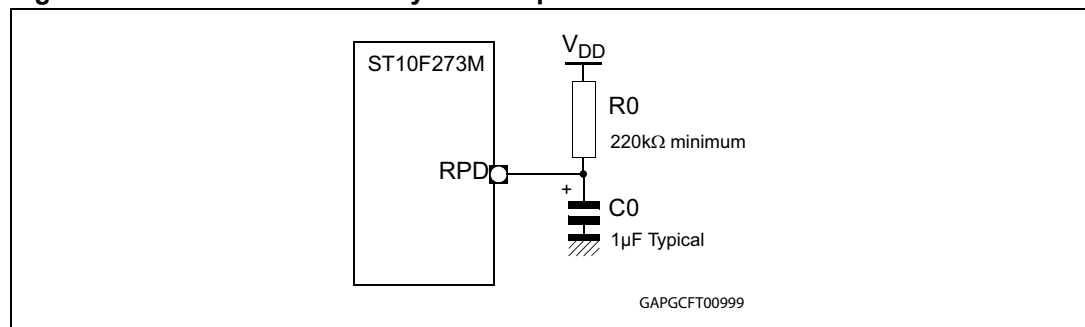
This mode is selected when PWDCFG (bit 5) of SYSCON register is set.

The Interruptible Power-down mode is only activated if all the enabled Fast External Interrupt pins are in their inactive level.

This mode is deactivated with an external reset applied to $\overline{\text{RSTIN}}$ pin or with an interrupt request applied to one of the Fast External Interrupt pins, or with an interrupt generated by the Real Time Clock, or with an interrupt generated by the activity on CAN's and I²C module interfaces. To allow the internal PLL and clock to stabilize, the $\overline{\text{RSTIN}}$ pin must be held low according the recommendations described in [Section 20: System reset on page 83](#).

An external RC circuit must be connected to RPD pin, as shown in the [Figure 37](#).

Figure 37. External RC circuitry on RPD pin



To exit Power-down mode with an external interrupt, an EXxIN (x = 7...0) pin has to be asserted for at least 40ns.

21.3 Standby mode

In Standby mode, it is possible to turn off the main V_{DD} provided that V_{STBY} is available through the dedicated pin of the ST10F273M.

To enter Standby mode it is mandatory to held the device under reset: once the device is under reset, the RAM is disabled (see XRAM2EN bit of XPERCON register), and its digital interface is frozen in order to avoid any kind of data corruption.

A dedicated embedded low-power voltage regulator is implemented to generate the internal low voltage supply (about 1.65V in Standby mode) to bias all those circuits that shall remain

active: the portion of XRAM (16 Kbytes for ST10F273M), the RTC counters and 32 kHz on-chip oscillator amplifier.

In normal running mode (that is, when main V_{DD} is on) the V_{STBY} pin can be tied to V_{SS} during reset to exercise the \overline{EA} functionality associated with the same pin: The voltage supply for the circuitries which are usually biased with V_{STBY} (see in particular the 32 kHz oscillator used in conjunction with Real Time Clock module), is granted by the active main V_{DD} .

It must be noted that Standby mode can generate problems associated with the usage of different power supplies in CMOS systems; particular attention must be paid when the ST10F273M I/O lines are interfaced with other external CMOS integrated circuits: If V_{DD} of ST10F273M becomes (for example, in Standby mode) lower than the output level forced by the I/O lines of these external integrated circuits, the ST10F273M could be directly powered through the inherent diode existing on ST10F273M output driver circuitry. The same is valid for ST10F273M interfaced to active/inactive communication buses during Standby mode: Current injection can be generated through the inherent diode.

Furthermore, the sequence of turning on/off of the different voltage could be critical for the system (not only for the ST10F273M device). The device Standby mode current (I_{STBY}) may vary while V_{DD} to V_{STBY} (and vice versa) transition occurs: Some current flows between V_{DD} and V_{STBY} pins. System noise on both V_{DD} and V_{STBY} can contribute to increase this phenomenon.

21.3.1 Entering standby mode

As already stated, to enter Standby mode the XRAM2EN bit in the XPERCON register must be cleared: This allows the RAM interface to be frozen immediately, avoiding any data corruption. As a consequence of a RESET event, the RAM power supply is switched to the internal low-voltage supply V_{18SB} (derived from V_{STBY} through the low-power voltage regulator). The RAM interface remains frozen until the bit XRAM2EN is set again by software initialization routine (at next exit from main V_{DD} power-on reset sequence).

Since V_{18} is falling down (as a consequence of V_{DD} turning off), it can happen that the XRAM2EN bit is no longer able to guarantee its content (logic "0"), being the XPERCON Register powered by internal V_{18} . This does not generate any problem, because the Standby mode switching dedicated circuit continues to confirm the RAM interface freezing, irrespective the XRAM2EN bit content; XRAM2EN bit status is considered again when internal V_{18} comes back over internal standby reference V_{18SB} .

If internal V_{18} becomes lower than internal standby reference (V_{18SB}) of about 0.3 to 0.45V with bit XRAM2EN set, the RAM Supply switching circuit is not active: in case of a temporary drop on internal V_{18} voltage versus internal V_{18SB} during normal code execution, no spurious Standby mode switching can occur (the RAM is not frozen and can still be accessed).

The ST10F273M Core module, generating the RAM control signals, is powered by internal V_{18} supply; during turning off transient these control signals follow the V_{18} , while RAM is switched to V_{18SB} internal reference. It could happen that a high level of RAM write strobe from ST10F273M Core (active low signal) is low enough to be recognized as a logic "0" by the RAM interface (due to V_{18} lower than V_{18SB}): The bus status could contain a valid address for the RAM and an unwanted data corruption could occur. For this reason, an extra interface, powered by the switched supply, is used to prevent the RAM from this kind of potential corruption mechanism.

Warning: During power-off phase, it is important that the external hardware maintains a stable ground level on RSTIN pin, without any glitch, in order to avoid spurious exiting from reset status with unstable power supply.

21.3.2 Exiting standby mode

After the system has entered the Standby mode, the procedure to exit this mode consists of a standard Power-on sequence, with the only difference that the RAM is already powered through V_{18SB} internal reference (derived from V_{STBY} pin external voltage).

It is recommended to held the device under RESET (\overline{RSTIN} pin forced low) until external V_{DD} voltage pin is stable. Even though, at the very beginning of the power-on phase, the device is maintained under reset by the internal low voltage detector circuit (implemented inside the main voltage regulator) till the internal V_{18} becomes higher than about 1.0V, there is no guaranty that the device stays under reset status if \overline{RSTIN} is at high level during power ramp up. So, it is important the external hardware is able to guarantee a stable ground level on \overline{RSTIN} along the power-on phase, without any temporary glitch.

The external hardware shall be responsible to drive low the \overline{RSTIN} pin until the V_{DD} is stable, even though the internal LVD is active.

Once the internal Reset signal goes low, the RAM (still frozen) power supply is switched to the main V_{18} .

At this time, everything becomes stable, and the execution of the initialization routines can start: XRAM2EN bit can be set, enabling the RAM.

21.3.3 Real time clock and standby mode

When Standby mode is entered (turning off the main supply V_{DD}), the Real Time Clock counting can be maintained running in case the on-chip 32 kHz oscillator is used to provide the reference to the counter. This is not possible if the main oscillator is used as reference for the counter: Being the main oscillator powered by V_{DD} , once this is switched off, the oscillator is stopped.

21.3.4 Power reduction modes summary

The different Power reduction modes are summarized in the following [Table 45](#).

Table 45. Power reduction modes summary

| Mode | V _{DD} | V _{STBY} | CPU | Peripherals | RTC | Main OSC | 32 kHz OSC | STBY XRAM | XRAM |
|------------|-----------------|-------------------|-----|-------------|-----|----------|------------|-----------|--------|
| Idle | on | on | off | on | off | run | off | biased | biased |
| | on | on | off | on | on | run | on | biased | biased |
| Power-down | on | on | off | off | off | off | off | biased | biased |
| | on | on | off | off | on | on | off | biased | biased |
| | on | on | off | off | on | off | on | biased | biased |
| Standby | off | on | off | off | off | off | off | biased | off |
| | off | on | off | off | on | off | on | biased | off |

22 Programmable output clock divider

A specific register mapped on the XBUS allows to choose the division factor on the CLKOUT signal (P3.15). This register is mapped on X-Miscellaneous memory address range.

When CLKOUT function is enabled by setting bit CLKEN of register SYSCON, by default the CPU clock is output on P3.15. Setting bit XMISCEN of register XPERCON and bit XPEN of register SYSCON, it is possible to program the clock prescaling factor: in this way on P3.15 a prescaled value of the CPU clock can be output.

When CLKOUT function is not enabled (bit CLKEN of register SYSCON cleared), P3.15 does not output any clock signal, even though XCLKOUTDIV register is programmed.

23 Register set

This section summarizes all registers implemented in the ST10F273M, ordered by name.

23.1 Special function registers

The following table lists all SFRs which are implemented in the ST10F273M in alphabetical order.

Bit-addressable SFRs are marked with the letter “b” in column “Name”.

SFRs within the **Extended SFR-Space** (ESFRs) are marked with the letter “E” in column “Physical Address”.

Table 46. List of special function registers

| Name | Physical address | 8-bit address | Description | Reset value |
|-----------|------------------|---------------|--|-------------|
| ADCIC b | FF98h | CCh | A/D converter end of conversion interrupt control register | --00h |
| ADCON b | FFA0h | D0h | A/D converter control register | 0000h |
| ADDAT | FEA0h | 50h | A/D converter result register | 0000h |
| ADDAT2 | F0A0h E | 50h | A/D converter 2 result register | 0000h |
| ADDRSEL1 | FE18h | 0Ch | Address select register 1 | 0000h |
| ADDRSEL2 | FE1Ah | 0Dh | Address select register 2 | 0000h |
| ADDRSEL3 | FE1Ch | 0Eh | Address select register 3 | 0000h |
| ADDRSEL4 | FE1Eh | 0Fh | Address select register 4 | 0000h |
| ADEIC b | FF9Ah | CDh | A/D converter overrun error interrupt control register | --00h |
| BUSCON0 b | FF0Ch | 86h | Bus configuration register 0 | 0xx0h |
| BUSCON1 b | FF14h | 8Ah | Bus configuration register 1 | 0000h |
| BUSCON2 b | FF16h | 8Bh | Bus configuration register 2 | 0000h |
| BUSCON3 b | FF18h | 8Ch | Bus configuration register 3 | 0000h |
| BUSCON4 b | FF1Ah | 8Dh | Bus configuration register 4 | 0000h |
| CAPREL | FE4Ah | 25h | GPT2 capture/reload register | 0000h |
| CC0 | FE80h | 40h | CAPCOM register 0 | 0000h |
| CC0IC b | FF78h | BCh | CAPCOM register 0 interrupt control register | --00h |
| CC1 | FE82h | 41h | CAPCOM register 1 | 0000h |
| CC1IC b | FF7Ah | BDh | CAPCOM register 1 interrupt control register | --00h |
| CC2 | FE84h | 42h | CAPCOM register 2 | 0000h |
| CC2IC b | FF7Ch | BEh | CAPCOM register 2 interrupt control register | --00h |
| CC3 | FE86h | 43h | CAPCOM register 3 | 0000h |
| CC3IC b | FF7Eh | BFh | CAPCOM register 3 interrupt control register | --00h |

Table 46. List of special function registers (continued)

| Name | Physical address | 8-bit address | Description | Reset value |
|--------|------------------|---------------|---|-------------|
| CC4 | FE88h | 44h | CAPCOM register 4 | 0000h |
| CC4IC | b FF80h | C0h | CAPCOM register 4 interrupt control register | --00h |
| CC5 | FE8Ah | 45h | CAPCOM register 5 | 0000h |
| CC5IC | b FF82h | C1h | CAPCOM register 5 interrupt control register | --00h |
| CC6 | FE8Ch | 46h | CAPCOM register 6 | 0000h |
| CC6IC | b FF84h | C2h | CAPCOM register 6 interrupt control register | --00h |
| CC7 | FE8Eh | 47h | CAPCOM register 7 | 0000h |
| CC7IC | b FF86h | C3h | CAPCOM register 7 interrupt control register | --00h |
| CC8 | FE90h | 48h | CAPCOM register 8 | 0000h |
| CC8IC | b FF88h | C4h | CAPCOM register 8 interrupt control register | --00h |
| CC9 | FE92h | 49h | CAPCOM register 9 | 0000h |
| CC9IC | b FF8Ah | C5h | CAPCOM register 9 interrupt control register | --00h |
| CC10 | FE94h | 4Ah | CAPCOM register 10 | 0000h |
| CC10IC | b FF8Ch | C6h | CAPCOM register 10 interrupt control register | --00h |
| CC11 | FE96h | 4Bh | CAPCOM register 11 | 0000h |
| CC11IC | b FF8Eh | C7h | CAPCOM register 11 interrupt control register | --00h |
| CC12 | FE98h | 4Ch | CAPCOM register 12 | 0000h |
| CC12IC | b FF90h | C8h | CAPCOM register 12 interrupt control register | --00h |
| CC13 | FE9Ah | 4Dh | CAPCOM register 13 | 0000h |
| CC13IC | b FF92h | C9h | CAPCOM register 13 interrupt control register | --00h |
| CC14 | FE9Ch | 4Eh | CAPCOM register 14 | 0000h |
| CC14IC | b FF94h | CAh | CAPCOM register 14 interrupt control register | --00h |
| CC15 | FE9Eh | 4Fh | CAPCOM register 15 | 0000h |
| CC15IC | b FF96h | CBh | CAPCOM register 15 interrupt control register | --00h |
| CC16 | FE60h | 30h | CAPCOM register 16 | 0000h |
| CC16IC | b F160h E | B0h | CAPCOM register 16 interrupt control register | --00h |
| CC17 | FE62h | 31h | CAPCOM register 17 | 0000h |
| CC17IC | b F162h E | B1h | CAPCOM register 17 interrupt control register | --00h |
| CC18 | FE64h | 32h | CAPCOM register 18 | 0000h |
| CC18IC | b F164h E | B2h | CAPCOM register 18 interrupt control register | --00h |
| CC19 | FE66h | 33h | CAPCOM register 19 | 0000h |
| CC19IC | b F166h E | B3h | CAPCOM register 19 interrupt control register | --00h |
| CC20 | FE68h | 34h | CAPCOM register 20 | 0000h |
| CC20IC | b F168h E | B4h | CAPCOM register 20 interrupt control register | --00h |

Table 46. List of special function registers (continued)

| Name | Physical address | 8-bit address | Description | Reset value |
|--------|------------------|---------------|---|-------------|
| CC4 | FE88h | 44h | CAPCOM register 4 | 0000h |
| CC4IC | b FF80h | C0h | CAPCOM register 4 interrupt control register | --00h |
| CC5 | FE8Ah | 45h | CAPCOM register 5 | 0000h |
| CC5IC | b FF82h | C1h | CAPCOM register 5 interrupt control register | --00h |
| CC6 | FE8Ch | 46h | CAPCOM register 6 | 0000h |
| CC6IC | b FF84h | C2h | CAPCOM register 6 interrupt control register | --00h |
| CC7 | FE8Eh | 47h | CAPCOM register 7 | 0000h |
| CC7IC | b FF86h | C3h | CAPCOM register 7 interrupt control register | --00h |
| CC8 | FE90h | 48h | CAPCOM register 8 | 0000h |
| CC8IC | b FF88h | C4h | CAPCOM register 8 interrupt control register | --00h |
| CC9 | FE92h | 49h | CAPCOM register 9 | 0000h |
| CC9IC | b FF8Ah | C5h | CAPCOM register 9 interrupt control register | --00h |
| CC10 | FE94h | 4Ah | CAPCOM register 10 | 0000h |
| CC10IC | b FF8Ch | C6h | CAPCOM register 10 interrupt control register | --00h |
| CC11 | FE96h | 4Bh | CAPCOM register 11 | 0000h |
| CC11IC | b FF8Eh | C7h | CAPCOM register 11 interrupt control register | --00h |
| CC12 | FE98h | 4Ch | CAPCOM register 12 | 0000h |
| CC12IC | b FF90h | C8h | CAPCOM register 12 interrupt control register | --00h |
| CC13 | FE9Ah | 4Dh | CAPCOM register 13 | 0000h |
| CC13IC | b FF92h | C9h | CAPCOM register 13 interrupt control register | --00h |
| CC14 | FE9Ch | 4Eh | CAPCOM register 14 | 0000h |
| CC14IC | b FF94h | CAh | CAPCOM register 14 interrupt control register | --00h |
| CC15 | FE9Eh | 4Fh | CAPCOM register 15 | 0000h |
| CC15IC | b FF96h | CBh | CAPCOM register 15 interrupt control register | --00h |
| CC16 | FE60h | 30h | CAPCOM register 16 | 0000h |
| CC16IC | b F160h E | B0h | CAPCOM register 16 interrupt control register | --00h |
| CC17 | FE62h | 31h | CAPCOM register 17 | 0000h |
| CC17IC | b F162h E | B1h | CAPCOM register 17 interrupt control register | --00h |
| CC18 | FE64h | 32h | CAPCOM register 18 | 0000h |
| CC18IC | b F164h E | B2h | CAPCOM register 18 interrupt control register | --00h |
| CC19 | FE66h | 33h | CAPCOM register 19 | 0000h |
| CC19IC | b F166h E | B3h | CAPCOM register 19 interrupt control register | --00h |
| CC20 | FE68h | 34h | CAPCOM register 20 | 0000h |
| CC20IC | b F168h E | B4h | CAPCOM register 20 interrupt control register | --00h |

Table 46. List of special function registers (continued)

| Name | Physical address | 8-bit address | Description | Reset value |
|--------|------------------|---------------|---|-------------|
| CC21 | FE6Ah | 35h | CAPCOM register 21 | 0000h |
| CC21IC | b F16Ah E | B5h | CAPCOM register 21 interrupt control register | --00h |
| CC22 | FE6Ch | 36h | CAPCOM register 22 | 0000h |
| CC22IC | b F16Ch E | B6h | CAPCOM register 22 interrupt control register | --00h |
| CC23 | FE6Eh | 37h | CAPCOM register 23 | 0000h |
| CC23IC | b F16Eh E | B7h | CAPCOM register 23 interrupt control register | --00h |
| CC24 | FE70h | 38h | CAPCOM register 24 | 0000h |
| CC24IC | b F170h E | B8h | CAPCOM register 24 interrupt control register | --00h |
| CC25 | FE72h | 39h | CAPCOM register 25 | 0000h |
| CC25IC | b F172h E | B9h | CAPCOM register 25 interrupt control register | --00h |
| CC26 | FE74h | 3Ah | CAPCOM register 26 | 0000h |
| CC26IC | b F174h E | BAh | CAPCOM register 26 interrupt control register | --00h |
| CC27 | FE76h | 3Bh | CAPCOM register 27 | 0000h |
| CC27IC | b F176h E | BBh | CAPCOM register 27 interrupt control register | --00h |
| CC28 | FE78h | 3Ch | CAPCOM register 28 | 0000h |
| CC28IC | b F178h E | BCh | CAPCOM register 28 interrupt control register | --00h |
| CC29 | FE7Ah | 3Dh | CAPCOM register 29 | 0000h |
| CC29IC | b F184h E | C2h | CAPCOM register 29 interrupt control register | --00h |
| CC30 | FE7Ch | 3Eh | CAPCOM register 30 | 0000h |
| CC30IC | b F18Ch E | C6h | CAPCOM register 30 interrupt control register | --00h |
| CC31 | FE7Eh | 3Fh | CAPCOM register 31 | 0000h |
| CC31IC | b F194h E | CAh | CAPCOM register 31 interrupt control register | --00h |
| CCM0 | b FF52h | A9h | CAPCOM Mode Control register 0 | 0000h |
| CCM1 | b FF54h | AAh | CAPCOM Mode Control register 1 | 0000h |
| CCM2 | b FF56h | ABh | CAPCOM Mode Control register 2 | 0000h |
| CCM3 | b FF58h | ACH | CAPCOM Mode Control register 3 | 0000h |
| CCM4 | b FF22h | 91h | CAPCOM Mode Control register 4 | 0000h |
| CCM5 | b FF24h | 92h | CAPCOM Mode Control register 5 | 0000h |
| CCM6 | b FF26h | 93h | CAPCOM Mode Control register 6 | 0000h |
| CCM7 | b FF28h | 94h | CAPCOM Mode Control register 7 | 0000h |
| CP | FE10h | 08h | CPU Context Pointer register | FC00h |
| CRIC | b FF6Ah | B5h | GPT2 CAPREL interrupt control register | --00h |
| CSP | FE08h | 04h | CPU Code Segment Pointer register (read only) | 0000h |
| DP0L | b F100h E | 80h | P0L direction control register | --00h |

Table 46. List of special function registers (continued)

| Name | Physical address | 8-bit address | Description | Reset value |
|---------|------------------|---------------|---|-------------|
| DP0H | b F102h E | 81h | P0h direction control register | --00h |
| DP1L | b F104h E | 82h | P1L direction control register | --00h |
| DP1H | b F106h E | 83h | P1h direction control register | --00h |
| DP2 | b FFC2h | E1h | Port 2 direction control register | 0000h |
| DP3 | b FFC6h | E3h | Port 3 direction control register | 0000h |
| DP4 | b FFCAh | E5h | Port 4 direction control register | --00h |
| DP6 | b FFCEh | E7h | Port 6 direction control register | --00h |
| DP7 | b FFD2h | E9h | Port 7 direction control register | --00h |
| DP8 | b FFD6h | EBh | Port 8 direction control register | --00h |
| DPP0 | FE00h | 00h | CPU data page pointer 0 register (10-bit) | 0000h |
| DPP1 | FE02h | 01h | CPU data page pointer 1 register (10-bit) | 0001h |
| DPP2 | FE04h | 02h | CPU data page pointer 2 register (10-bit) | 0002h |
| DPP3 | FE06h | 03h | CPU data page pointer 3 register (10-bit) | 0003h |
| EMUCON | FE0Ah | 05h | Emulation control register | --XXh |
| EXICON | b F1C0h E | E0h | External interrupt control register | 0000h |
| EXISEL | b F1DAh E | EDh | External interrupt source selection register | 0000h |
| IDCHIP | F07Ch E | 3Eh | Device identifier register (n is the device revision) | 111nh |
| IDMANUF | F07Eh E | 3Fh | Manufacturer identifier register | 0403h |
| IDMEM | F07Ah E | 3Dh | On-chip memory identifier register | 2080h |
| IDPROG | F078h E | 3Ch | Programming voltage identifier register | 0040h |
| IDX0 | b FF08h | 84h | MAC unit address pointer 0 | 0000h |
| IDX1 | b FF0Ah | 85h | MAC unit address pointer 1 | 0000h |
| MAH | FE5Eh | 2Fh | MAC unit accumulator - high word | 0000h |
| MAL | FE5Ch | 2Eh | MAC unit accumulator - low word | 0000h |
| MCW | b FFDCh | EEh | MAC unit control word | 0000h |
| MDC | b FF0Eh | 87h | CPU multiply divide control register | 0000h |
| MDH | FE0Ch | 06h | CPU multiply divide register – high word | 0000h |
| MDL | FE0Eh | 07h | CPU multiply divide register – low word | 0000h |
| MRW | b FFDAh | EDh | MAC unit repeat word | 0000h |
| MSW | b FFDEh | EFh | MAC unit status word | 0200h |
| ODP2 | b F1C2h E | E1h | Port 2 open drain control register | 0000h |
| ODP3 | b F1C6h E | E3h | Port 3 open drain control register | 0000h |
| ODP4 | b F1CAh E | E5h | Port 4 open drain control register | --00h |
| ODP6 | b F1CEh E | E7h | Port 6 open drain control register | --00h |

Table 46. List of special function registers (continued)

| Name | Physical address | 8-bit address | Description | Reset value |
|---------|------------------|---------------|---|-------------|
| ODP7 | b F1D2h E | E9h | Port 7 open drain control register | --00h |
| ODP8 | b F1D6h E | EBh | Port 8 open drain control register | --00h |
| ONES | b FF1Eh | 8Fh | Constant value 1's register (read only) | FFFFh |
| P0L | b FF00h | 80h | PORT0 low register (lower half of PORT0) | --00h |
| P0H | b FF02h | 81h | PORT0 high register (upper half of PORT0) | --00h |
| P1L | b FF04h | 82h | PORT1 low register (lower half of PORT1) | --00h |
| P1H | b FF06h | 83h | PORT1 high register (upper half of PORT1) | --00h |
| P2 | b FFC0h | E0h | Port 2 register | 0000h |
| P3 | b FFC4h | E2h | Port 3 register | 0000h |
| P4 | b FFC8h | E4h | Port 4 register (8-bit) | --00h |
| P5 | b FFA2h | D1h | Port 5 register (read only) | XXXXh |
| P6 | b FFCCh | E6h | Port 6 register (8-bit) | --00h |
| P7 | b FFD0h | E8h | Port 7 register (8-bit) | --00h |
| P8 | b FFD4h | EAh | Port 8 register (8-bit) | --00h |
| P5DIDIS | b FFA4h | D2h | Port 5 digital disable register | 0000h |
| PECC0 | FEC0h | 60h | PEC channel 0 control register | 0000h |
| PECC1 | FEC2h | 61h | PEC channel 1 control register | 0000h |
| PECC2 | FEC4h | 62h | PEC channel 2 control register | 0000h |
| PECC3 | FEC6h | 63h | PEC channel 3 control register | 0000h |
| PECC4 | FEC8h | 64h | PEC channel 4 control register | 0000h |
| PECC5 | FECAh | 65h | PEC channel 5 control register | 0000h |
| PECC6 | FECCh | 66h | PEC channel 6 control register | 0000h |
| PECC7 | FECEh | 67h | PEC channel 7 control register | 0000h |
| PICON | b F1C4h E | E2h | Port input threshold control register | --00h |
| PP0 | F038h E | 1Ch | PWM module period register 0 | 0000h |
| PP1 | F03Ah E | 1Dh | PWM module period register 1 | 0000h |
| PP2 | F03Ch E | 1Eh | PWM module period register 2 | 0000h |
| PP3 | F03Eh E | 1Fh | PWM module period register 3 | 0000h |
| PSW | b FF10h | 88h | CPU program status word | 0000h |
| PT0 | F030h E | 18h | PWM module up/down counter 0 | 0000h |
| PT1 | F032h E | 19h | PWM module up/down counter 1 | 0000h |
| PT2 | F034h E | 1Ah | PWM module up/down counter 2 | 0000h |
| PT3 | F036h E | 1Bh | PWM module up/down counter 3 | 0000h |
| PW0 | FE30h | 18h | PWM module pulse width register 0 | 0000h |

Table 46. List of special function registers (continued)

| Name | Physical address | 8-bit address | Description | Reset value |
|---------|------------------|---------------|---|----------------------|
| PW1 | FE32h | 19h | PWM module pulse width register 1 | 0000h |
| PW2 | FE34h | 1Ah | PWM module pulse width register 2 | 0000h |
| PW3 | FE36h | 1Bh | PWM module pulse width register 3 | 0000h |
| PWMCON0 | b FF30h | 98h | PWM module control register 0 | 0000h |
| PWMCON1 | b FF32h | 99h | PWM module control register 1 | 0000h |
| PWMIC | b F17Eh E | BFh | PWM module interrupt control register | --00h |
| QR0 | F004h E | 02h | MAC unit offset register r0 | 0000h |
| QR1 | F006h E | 03h | MAC unit offset register R1 | 0000h |
| QX0 | F000h E | 00h | MAC unit offset register X0 | 0000h |
| QX1 | F002h E | 01h | MAC unit offset register X1 | 0000h |
| RP0H | b F108h E | 84h | System start-up configuration register (read only) | --XXh |
| S0BG | FEB4h | 5Ah | Serial channel 0 baudrate generator reload register | 0000h |
| S0CON | b FFB0h | D8h | Serial channel 0 control register | 0000h |
| S0EIC | b FF70h | B8h | Serial channel 0 error interrupt control register | --00h |
| S0RBUF | FEB2h | 59h | Serial channel 0 receive buffer register (read only) | --XXh |
| S0RIC | b FF6Eh | B7h | Serial channel 0 receive interrupt control register | --00h |
| S0TBIC | b F19Ch E | CEh | Serial channel 0 transmit buffer interrupt control reg. | --00h |
| S0TBUF | FEB0h | 58h | Serial channel 0 transmit buffer register (write only) | 0000h |
| S0TIC | b FF6Ch | B6h | Serial channel 0 transmit interrupt control register | --00h |
| SP | FE12h | 09h | CPU system stack pointer register | FC00h |
| SSCBR | F0B4h E | 5Ah | SSC baudrate register | 0000h |
| SSCCON | b FFB2h | D9h | SSC control register | 0000h |
| SSCEIC | b FF76h | BBh | SSC error interrupt control register | --00h |
| SSCRB | F0B2h E | 59h | SSC receive buffer (read only) | XXXXh |
| SSCRIC | b FF74h | BAh | SSC receive interrupt control register | --00h |
| SSCTB | F0B0h E | 58h | SSC transmit buffer (write only) | 0000h |
| SSCTIC | b FF72h | B9h | SSC transmit interrupt control register | --00h |
| STKOV | FE14h | 0Ah | CPU stack overflow pointer register | FA00h |
| STKUN | FE16h | 0Bh | CPU stack underflow pointer register | FC00h |
| SYSCON | b FF12h | 89h | CPU system configuration register | 0xx0h ⁽¹⁾ |
| T0 | FE50h | 28h | CAPCOM timer 0 register | 0000h |
| T01CON | b FF50h | A8h | CAPCOM timer 0 and timer 1 control register | 0000h |
| T0IC | b FF9Ch | CEh | CAPCOM timer 0 interrupt control register | --00h |
| T0REL | FE54h | 2Ah | CAPCOM timer 0 reload register | 0000h |

Table 46. List of special function registers (continued)

| Name | Physical address | 8-bit address | Description | Reset value |
|--------|------------------|---------------|---|----------------------|
| T1 | FE52h | 29h | CAPCOM timer 1 register | 0000h |
| T1IC | b FF9Eh | CFh | CAPCOM timer 1 interrupt control register | --00h |
| T1REL | FE56h | 2Bh | CAPCOM timer 1 reload register | 0000h |
| T2 | FE40h | 20h | GPT1 timer 2 register | 0000h |
| T2CON | b FF40h | A0h | GPT1 timer 2 control register | 0000h |
| T2IC | b FF60h | B0h | GPT1 timer 2 interrupt control register | --00h |
| T3 | FE42h | 21h | GPT1 timer 3 register | 0000h |
| T3CON | b FF42h | A1h | GPT1 timer 3 control register | 0000h |
| T3IC | b FF62h | B1h | GPT1 timer 3 interrupt control register | --00h |
| T4 | FE44h | 22h | GPT1 timer 4 register | 0000h |
| T4CON | b FF44h | A2h | GPT1 timer 4 control register | 0000h |
| T4IC | b FF64h | B2h | GPT1 timer 4 interrupt control register | --00h |
| T5 | FE46h | 23h | GPT2 timer 5 register | 0000h |
| T5CON | b FF46h | A3h | GPT2 timer 5 control register | 0000h |
| T5IC | b FF66h | B3h | GPT2 timer 5 interrupt control register | --00h |
| T6 | FE48h | 24h | GPT2 timer 6 register | 0000h |
| T6CON | b FF48h | A4h | GPT2 timer 6 control register | 0000h |
| T6IC | b FF68h | B4h | GPT2 timer 6 interrupt control register | --00h |
| T7 | F050h E | 28h | CAPCOM timer 7 register | 0000h |
| T7CON | b FF20h | 90h | CAPCOM timer 7 and 8 control register | 0000h |
| T7IC | b F17Ah E | BDh | CAPCOM timer 7 interrupt control register | --00h |
| T7REL | F054h E | 2Ah | CAPCOM timer 7 reload register | 0000h |
| T8 | F052h E | 29h | CAPCOM timer 8 register | 0000h |
| T8IC | b F17Ch E | BEh | CAPCOM timer 8 interrupt control register | --00h |
| T8REL | F056h E | 2Bh | CAPCOM timer 8 reload register | 0000h |
| TFR | b FFACh | D6h | Trap Flag register | 0000h |
| WDT | FEAEh | 57h | Watchdog timer register (read only) | 0000h |
| WDTCON | b FFAEh | D7h | Watchdog timer control register | 00xxh ⁽²⁾ |
| XADRS3 | F01Ch E | 0Eh | XPER address select register 3 | 800Bh |
| XP0IC | b F186h E | C3h | See Section 9.1 | --00h ⁽³⁾ |
| XP1IC | b F18Eh E | C7h | See Section 9.1 | --00h ⁽³⁾ |
| XP2IC | b F196h E | CBh | See Section 9.1 | --00h ⁽³⁾ |
| XP3IC | b F19Eh E | CFh | See Section 9.1 | --00h ⁽³⁾ |

Table 46. List of special function registers (continued)

| Name | Physical address | 8-bit address | Description | Reset value |
|---------|------------------|---------------|---|-------------|
| XPERCON | b F024h E | 12h | XPER configuration register | --05h |
| ZEROS | b FF1Ch | 8Eh | Constant value 0's register (read only) | 0000h |

1. The system configuration is selected during reset. SYSCON reset value is 0000 0xx0 x000 0000b.
2. Reset value depends on different triggered reset event.
3. The XPnIC Interrupt Control Registers control interrupt requests from integrated X-Bus peripherals. Some software controlled interrupt requests may be generated by setting the XPnIR bits (of XPnIC register) of the unused X-Peripheral nodes.

23.2 X-registers

The following table lists in order of their names all X-Bus registers which are implemented in the ST10F273M. Even though they are also physically mapped on XBus memory space, the Flash control registers are listed in a separate section.

Note: The X-Registers are not bit-addressable.

Table 47. List of XBus registers

| Name | Physical address | Description | Reset value |
|------------|------------------|------------------------------|-------------|
| CAN1BRPER | EF0Ch | CAN1: BRP extension register | 0000h |
| CAN1BTR | EF06h | CAN1: Bit timing register | 2301h |
| CAN1CR | EF00h | CAN1: CAN control register | 0001h |
| CAN1EC | EF04h | CAN1: error counter | 0000h |
| CAN1IF1A1 | EF18h | CAN1: IF1 arbitration 1 | 0000h |
| CAN1IF1A2 | EF1Ah | CAN1: IF1 arbitration 2 | 0000h |
| CAN1IF1CM | EF12h | CAN1: IF1 command mask | 0000h |
| CAN1IF1CR | EF10h | CAN1: IF1 command request | 0001h |
| CAN1IF1DA1 | EF1Eh | CAN1: IF1 data A 1 | 0000h |
| CAN1IF1DA2 | EF20h | CAN1: IF1 data A 2 | 0000h |
| CAN1IF1DB1 | EF22h | CAN1: IF1 data B 1 | 0000h |
| CAN1IF1DB2 | EF24h | CAN1: IF1 data B 2 | 0000h |
| CAN1IF1M1 | EF14h | CAN1: IF1 mask 1 | FFFFh |
| CAN1IF1M2 | EF16h | CAN1: IF1 mask 2 | FFFFh |
| CAN1IF1MC | EF1Ch | CAN1: IF1 message control | 0000h |
| CAN1IF2A1 | EF48h | CAN1: IF2 arbitration 1 | 0000h |
| CAN1IF2A2 | EF4Ah | CAN1: IF2 arbitration 2 | 0000h |
| CAN1IF2CM | EF42h | CAN1: IF2 command mask | 0000h |
| CAN1IF2CR | EF40h | CAN1: IF2 command request | 0001h |
| CAN1IF2DA1 | EF4Eh | CAN1: IF2 data A 1 | 0000h |

Table 47. List of XBus registers (continued)

| Name | Physical address | Description | Reset value |
|------------|------------------|------------------------------|-------------|
| CAN1IF2DA2 | EF50h | CAN1: IF2 data A 2 | 0000h |
| CAN1IF2DB1 | EF52h | CAN1: IF2 data B 1 | 0000h |
| CAN1IF2DB2 | EF54h | CAN1: IF2 data B 2 | 0000h |
| CAN1IF2M1 | EF44h | CAN1: IF2 Mask 1 | FFFFh |
| CAN1IF2M2 | EF46h | CAN1: IF2 mask 2 | FFFFh |
| CAN1IF2MC | EF4Ch | CAN1: IF2 message control | 0000h |
| CAN1IP1 | EFA0h | CAN1: interrupt pending 1 | 0000h |
| CAN1IP2 | EFA2h | CAN1: interrupt pending 2 | 0000h |
| CAN1IR | EF08h | CAN1: interrupt register | 0000h |
| CAN1MV1 | EFB0h | CAN1: message valid 1 | 0000h |
| CAN1MV2 | EFB2h | CAN1: message valid 2 | 0000h |
| CAN1ND1 | EF90h | CAN1: new data 1 | 0000h |
| CAN1ND2 | EF92h | CAN1: new data 2 | 0000h |
| CAN1SR | EF02h | CAN1: status register | 0000h |
| CAN1TR | EF0Ah | CAN1: test register | 00x0h |
| CAN1TR1 | EF80h | CAN1: transmission request 1 | 0000h |
| CAN1TR2 | EF82h | CAN1: transmission request 2 | 0000h |
| CAN2BRPER | EE0Ch | CAN2: BRP extension register | 0000h |
| CAN2BTR | EE06h | CAN2: bit timing register | 2301h |
| CAN2CR | EE00h | CAN2: CAN control register | 0001h |
| CAN2EC | EE04h | CAN2: error counter | 0000h |
| CAN2IF1A1 | EE18h | CAN2: IF1 arbitration 1 | 0000h |
| CAN2IF1A2 | EE1Ah | CAN2: IF1 arbitration 2 | 0000h |
| CAN2IF1CM | EE12h | CAN2: IF1 command mask | 0000h |
| CAN2IF1CR | EE10h | CAN2: IF1 command request | 0001h |
| CAN2IF1DA1 | EE1Eh | CAN2: IF1 data A 1 | 0000h |
| CAN2IF1DA2 | EE20h | CAN2: IF1 data A 2 | 0000h |
| CAN2IF1DB1 | EE22h | CAN2: IF1 data B 1 | 0000h |
| CAN2IF1DB2 | EE24h | CAN2: IF1 data B 2 | 0000h |
| CAN2IF1M1 | EE14h | CAN2: IF1 mask 1 | FFFFh |
| CAN2IF1M2 | EE16h | CAN2: IF1 mask 2 | FFFFh |
| CAN2IF1MC | EE1Ch | CAN2: IF1 message control | 0000h |
| CAN2IF2A1 | EE48h | CAN2: IF2 arbitration 1 | 0000h |
| CAN2IF2A2 | EE4Ah | CAN2: IF2 arbitration 2 | 0000h |

Table 47. List of XBus registers (continued)

| Name | Physical address | Description | Reset value |
|------------|------------------|------------------------------------|-------------|
| CAN2IF2CM | EE42h | CAN2: IF2 command mask | 0000h |
| CAN2IF2CR | EE40h | CAN2: IF2 command request | 0001h |
| CAN2IF2DA1 | EE4Eh | CAN2: IF2 data A 1 | 0000h |
| CAN2IF2DA2 | EE50h | CAN2: IF2 data A 2 | 0000h |
| CAN2IF2DB1 | EE52h | CAN2: IF2 data B 1 | 0000h |
| CAN2IF2DB2 | EE54h | CAN2: IF2 data B 2 | 0000h |
| CAN2IF2M1 | EE44h | CAN2: IF2 mask 1 | FFFFh |
| CAN2IF2M2 | EE46h | CAN2: IF2 mask 2 | FFFFh |
| CAN2IF2MC | EE4Ch | CAN2: IF2 message control | 0000h |
| CAN2IP1 | EEA0h | CAN2: interrupt pending 1 | 0000h |
| CAN2IP2 | EEA2h | CAN2: interrupt pending 2 | 0000h |
| CAN2IR | EE08h | CAN2: interrupt register | 0000h |
| CAN2MV1 | EEB0h | CAN2: message valid 1 | 0000h |
| CAN2MV2 | EEB2h | CAN2: message valid 2 | 0000h |
| CAN2ND1 | EE90h | CAN2: new data 1 | 0000h |
| CAN2ND2 | EE92h | CAN2: new data 2 | 0000h |
| CAN2SR | EE02h | CAN2: status register | 0000h |
| CAN2TR | EE0Ah | CAN2: test register | 00x0h |
| CAN2TR1 | EE80h | CAN2: transmission request 1 | 0000h |
| CAN2TR2 | EE82h | CAN2: Transmission request 2 | 0000h |
| I2CCCR1 | EA06h | I2C clock control register 1 | 0000h |
| I2CCCR2 | EA0Eh | I2C clock control register 2 | 0000h |
| I2CCR | EA00h | I2C control register | 0000h |
| I2CDR | EA0Ch | I2C data register | 0000h |
| I2COAR1 | EA08h | I2C own address register 1 | 0000h |
| I2COAR2 | EA0Ah | I2C own address register 2 | 0000h |
| I2CSR1 | EA02h | I2C status register 1 | 0000h |
| I2CSR2 | EA04h | I2C status register 2 | 0000h |
| RTCAH | ED14h | RTC alarm register high byte | XXXXh |
| RTCAL | ED12h | RTC alarm register low byte | XXXXh |
| RTCCON | ED00H | RTC control register | 000Xh |
| RTCDH | ED0Ch | RTC divider counter high byte | XXXXh |
| RTCDL | ED0Ah | RTC divider counter low byte | XXXXh |
| RTCH | ED10h | RTC programmable counter high byte | XXXXh |

Table 47. List of XBus registers (continued)

| Name | Physical address | Description | Reset value |
|------------|------------------|---|-------------|
| RTCL | ED0Eh | RTC programmable counter low byte | XXXXh |
| RTCPH | ED08h | RTC prescaler register high byte | XXXXh |
| RTCPL | ED06h | RTC prescaler register low byte | XXXXh |
| XCLKOUTDIV | EB02h | CLKOUT divider control register | - - 00h |
| XEMU0 | EB76h | XBUS emulation register 0 (write only) | XXXXh |
| XEMU1 | EB78h | XBUS emulation register 1 (write only) | XXXXh |
| XEMU2 | EB7Ah | XBUS emulation register 2 (write only) | XXXXh |
| XEMU3 | EB7Ch | XBUS emulation register 3 (write only) | XXXXh |
| XIR0CLR | EB14h | X-Interrupt 0 clear register (write only) | 0000h |
| XIR0SEL | EB10h | X-Interrupt 0 selection register | 0000h |
| XIR0SET | EB12h | X-Interrupt 0 set register (write only) | 0000h |
| XIR1CLR | EB24h | X-Interrupt 1 clear register (write only) | 0000h |
| XIR1SEL | EB20h | X-Interrupt 1 selection register | 0000h |
| XIR1SET | EB22h | X-Interrupt 1 set register (write only) | 0000h |
| XIR2CLR | EB34h | X-Interrupt 2 clear register (write only) | 0000h |
| XIR2SEL | EB30h | X-Interrupt 2 selection register | 0000h |
| XIR2SET | EB32h | X-Interrupt 2 set register (write only) | 0000h |
| XIR3CLR | EB44h | X-Interrupt 3 clear selection register (write only) | 0000h |
| XIR3SEL | EB40h | X-Interrupt 3 selection register | 0000h |
| XIR3SET | EB42h | X-Interrupt 3 set selection register (write only) | 0000h |
| XMISC | EB46h | XBUS miscellaneous features register | 0000h |
| XP1DIDIS | EB36h | Port 1 digital disable register | 0000h |
| XPEREMU | EB7Eh | XPERCON copy for emulation (write only) | XXXXh |
| XPICON | EB26h | Extended port input threshold control register | - - 00h |
| XPOLAR | EC04h | XPWM module channel polarity register | 0000h |
| XPP0 | EC20h | XPWM module period register 0 | 0000h |
| XPP1 | EC22h | XPWM module period register 1 | 0000h |
| XPP2 | EC24h | XPWM module period register 2 | 0000h |
| XPP3 | EC26h | XPWM module period register 3 | 0000h |
| XPT0 | EC10h | XPWM module up/down counter 0 | 0000h |
| XPT1 | EC12h | XPWM module up/down counter 1 | 0000h |
| XPT2 | EC14h | XPWM module up/down counter 2 | 0000h |
| XPT3 | EC16h | XPWM module up/down counter 3 | 0000h |
| XPW0 | EC30h | XPWM module pulse width register 0 | 0000h |

Table 47. List of XBus registers (continued)

| Name | Physical address | Description | Reset value |
|-------------|------------------|---|-------------|
| XPW1 | EC32h | XPWM module pulse width register 1 | 0000h |
| XPW2 | EC34h | XPWM module pulse width register 2 | 0000h |
| XPW3 | EC36h | XPWM module pulse width register 3 | 0000h |
| XPWMCON0 | EC00h | XPWM module control register 0 | 0000h |
| XPWMCON0CLR | EC08h | XPWM module clear control reg. 0 (write only) | 0000h |
| XPWMCON0SET | EC06h | XPWM module set control register 0 (write only) | 0000h |
| XPWMCON1 | EC02h | XPWM module control register 1 | 0000h |
| XPWMCON1CLR | EC0Ch | XPWM module clear control reg. 0 (write only) | 0000h |
| XPWMCON1SET | EC0Ah | XPWM module set control register 0 (write only) | 0000h |
| XPWMPORT | EC80h | XPWM module port control register | 0000h |
| XS1BG | E906h | XASC baudrate generator reload register | 0000h |
| XS1CON | E900h | XASC control register | 0000h |
| XS1CONCLR | E904h | XASC clear control register (write only) | 0000h |
| XS1CONSET | E902h | XASC set control register (write only) | 0000h |
| XS1PORT | E980h | XASC port control register | 0000h |
| XS1RBUF | E90Ah | XASC receive buffer register | 0000h |
| XS1TBUF | E908h | XASC transmit buffer register | 0000h |
| XSSCBR | E80Ah | XSSC baudrate register | 0000h |
| XSSCCON | E800h | XSSC control register | 0000h |
| XSSCCONCLR | E804h | XSSC clear control register (write only) | 0000h |
| XSSCCONSET | E802h | XSSC set control register (write only) | 0000h |
| XSSCPORT | E880h | XSSC port control register | 0000h |
| XSSCRB | E808h | XSSC receive buffer | XXXXh |
| XSSCTB | E806h | XSSC transmit buffer | 0000h |

23.3 Flash registers ordered by name

The following table lists in the order of their names all Flash Control Registers which are implemented in the ST10F273M. These registers are physically mapped on the XBus.

Note: These registers are not bit-addressable.

Table 48. List of Flash control registers

| Name | Physical address | Description | Reset value |
|----------|------------------|---|-------------|
| FARH | 0x000E 0012 | Flash address register - high | 0000h |
| FARL | 0x000E 0010 | Flash address register - low | 0000h |
| FCR0H | 0x000E 0002 | Flash control register 0 - high | 0000h |
| FCR0L | 0x000E 0000 | Flash control register 0 - low | 0000h |
| FCR1H | 0x000E 0006 | Flash control register 1 - high | 0000h |
| FCR1L | 0x000E 0004 | Flash control register 1 - low | 0000h |
| FDR0H | 0x000E 000A | Flash data register 0 - high | FFFFh |
| FDR0L | 0x000E 0008 | Flash data register 0 - low | FFFFh |
| FDR1H | 0x000E 000E | Flash data register 1 - high | FFFFh |
| FDR1L | 0x000E 000C | Flash data register 1 - low | FFFFh |
| FER | 0x000E 0014 | Flash error register | 0000h |
| FNVAPR0 | 0x000E DFB8 | Flash non-volatile access protection reg.0 | ACFFh |
| FNVAPR1H | 0x000E DFBE | Flash non-volatile access protection reg.1 - high | FFFFh |
| FNVAPR1L | 0x000E DFBC | Flash non-volatile access protection reg.1 - low | FFFFh |
| FNWPIRH | 0x000E DFB6 | Flash non-volatile protection i register high | FFFFh |
| FNWPIRL | 0x000E DFB4 | Flash non-volatile protection i register low | FFFFh |

23.4 Identification registers

The ST10F273M has four Identification registers, mapped in ESFR space. These registers contain:

- A manufacturer identifier
- A chip identifier with its revision
- An internal Flash and size identifier
- Programming voltage description



Table 49. IDMANUF register description

| Bit | Name | Function |
|------|-------|---|
| 15:5 | MANUF | Manufacturer identifier 020h: STMicroelectronics manufacturer (JTAG worldwide normalization) |



Table 50. IDCHIP register description

| Bit | Name | Function |
|------|--------|--|
| 15:4 | IDCHIP | Device identifier 111h: ST10F273M identifier (273) |
| 3:0 | REVID | Device revision identifier Xh: According to revision number |

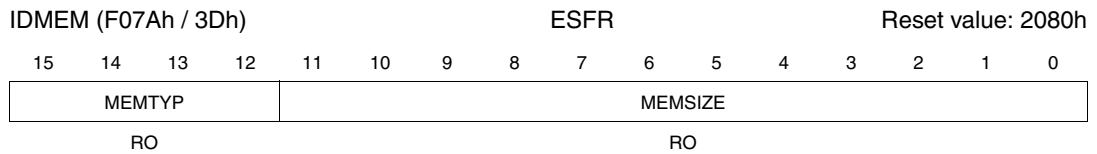


Table 51. IDMEM register description

| Bit | Name | Function |
|-------|---------|---|
| 15:12 | MEMSIZE | Internal memory size Internal memory size is 4 x (MEMSIZE) (in Kbyte) 080h for 512 Kbytes (ST10F273M) |
| 11:0 | MEMTYP | Internal memory type 0h: ROM-Less 1h: (M) ROM memory 2h: (S) Standard Flash memory (ST10F273M) 3h: (H) High performance Flash memory 4h...Fh: Reserved |

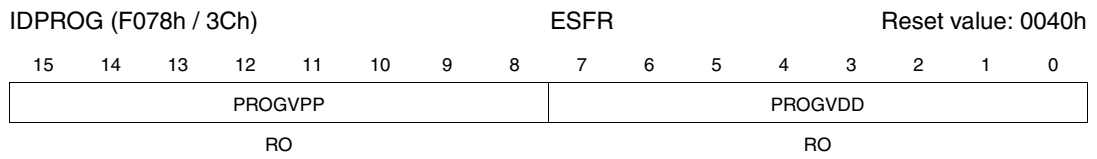


Table 52. IDPROG register description

| Bit | Name | Function |
|------|---------|--|
| 15:8 | PROGVPP | Programming V _{PP} voltage (no need of external V _{PP}) - 00h |
| 7:0 | PROGVDD | Programming V _{DD} voltage V _{DD} voltage when programming EPROM or Flash devices is calculated using the following formula: V _{DD} = 20 x [PROGVDD] / 256 (volts) - 40h for ST10F273M (5V). |

Note: All identification words are read-only registers.

24 Electrical characteristics

24.1 Absolute maximum ratings

Table 53. Absolute maximum ratings

| Symbol | Parameter | Values | Unit |
|------------|--|------------------------|------|
| V_{DD} | Voltage on V_{DD} pins with respect to ground (V_{SS}) | -0.5 to +6.5 | V |
| V_{STBY} | Voltage on V_{STBY} pin with respect to ground (V_{SS}) | -0.5 to +6.5 | |
| V_{AREF} | Voltage on V_{AREF} pins with respect to ground (V_{SS}) | -0.5 to $V_{DD} + 0.5$ | |
| V_{AGND} | Voltage on V_{AGND} pins with respect to ground (V_{SS}) | V_{SS} | |
| V_{IO} | Voltage on any pin with respect to ground (V_{SS}) | -0.5 to $V_{DD} + 0.5$ | |
| I_{OV} | Input current on any pin during overload condition | ± 10 | mA |
| I_{TOV} | Absolute sum of all input currents during overload condition | 75 | |
| T_{ST} | Storage temperature | -65 to +150 | °C |
| ESD | ESD susceptibility (Human Body Model) | 2000 | V |

Note: Stresses above those listed under “Absolute Maximum Ratings” may cause permanent damage to the device. This is a stress rating only and functional operation of the device at these or any other conditions above those indicated in the operational sections of this specification is not implied. Exposure to absolute maximum rating conditions for extended periods may affect device reliability. During overload conditions ($V_{IN} > V_{DD}$ or $V_{IN} < V_{SS}$) the voltage on pins with respect to ground (V_{SS}) must not exceed the values defined by the Absolute Maximum Ratings.

During power-on and power-off transients (including standby entering/exiting phases), the relationships between voltages applied to the device and the main V_{DD} shall be always respected. In particular power-on and power-off of V_{AREF} shall be coherent with V_{DD} transient, in order to avoid undesired current injection through the on-chip protection diodes.

24.2 Recommended operating conditions

Table 54. Recommended operating conditions

| Symbol | Parameter | Value | | Unit |
|-------------------|---|-------|-----------------------|------|
| | | Min | Max | |
| V _{DD} | Operating supply voltage | 4.5 | 5.5 | V |
| V _{STBY} | Operating standby supply voltage ⁽¹⁾ | | | |
| V _{AREF} | Operating analog reference voltage ⁽²⁾ | 0 | V _{DD} + 0.1 | |
| T _A | Ambient temperature under bias | -40 | +125 | °C |
| T _J | Junction temperature under bias | | +150 | |

1. The value of the V_{STBY} voltage is specified in the range of 4.5 to 5.5 Volt. Nevertheless, it is acceptable to exceed the upper limit (up to 6.0 Volt) for a maximum of 100 hours over the global 300000 hours, representing the lifetime of the device (about 30 years). On the other hand, it is possible to exceed the lower limit (down to 4.0 Volt) whenever RTC and 32 kHz on-chip oscillator amplifier are turned off (only Standby RAM powered through VSTBY pin in Standby mode). When V_{STBY} voltage is lower than main V_{DD}, the input section of V_{STBY}/EA pin can generate a spurious static consumption on V_{DD} power supply (in the range of tenth of μA).
2. For details on operating conditions concerning the usage of A/D converter refer to [Section 24.7](#).

24.3 Power considerations

The average chip-junction temperature, T_J, in degrees Celsius, may be calculated using the following equation:

Equation 1:

$$T_J = T_A + (P_D \times \Theta_{JA})$$

Where:

T_A is the Ambient Temperature in °C,

Θ_{JA} is the Package Junction-to-Ambient Thermal Resistance, in °C/W,

P_D is the sum of P_{INT} and P_{I/O} (P_D = P_{INT} + P_{I/O}),

P_{INT} is the product of I_{DD} and V_{DD}, expressed in Watt. This is the Chip Internal Power,

P_{I/O} represents the Power Dissipation on Input and Output Pins; User Determined.

Most of the time for the applications P_{I/O} < P_{INT} and may be neglected. On the other hand, P_{I/O} may be significant if the device is configured to drive continuously external modules and/or memories.

An approximate relationship between P_D and T_J (if P_{I/O} is neglected) is given by:

Equation 2:

$$P_D = K / (T_J + 273^\circ\text{C})$$

Therefore (solving equations 1 and 2):

Equation 3:

$$K = P_D \times (T_A + 273^\circ\text{C}) + \Theta_{JA} \times P_D^2$$

Where:

K is a constant for the particular part, which may be determined from [Equation 3](#) by measuring P_D (at equilibrium) for a known T_A . Using this value of **K**, the values of P_D and T_J may be obtained by solving [Equation 1](#) and [Equation 2](#) iteratively for any value of T_A .

Table 55. Thermal characteristics

| Symbol | Description | Value (typical) | Unit |
|---------------|--|-----------------|------|
| Θ_{JA} | Thermal Resistance Junction-Ambient | | |
| | PQFP 144 - 28 x 28 x 3.4 mm / 0.65 mm pitch | 30 | °C/W |
| | LQFP 144 - 20 x 20 mm / 0.5 mm pitch | 40 | |
| | LQFP 144 - 20 x 20 mm / 0.5 mm pitch on four-layer FR4 board (2 layers signals / 2 layers power) | 35 | |

Based on thermal characteristics of the package and with reference to the power consumption figures provided in the next tables and diagrams, the following product classification can be proposed. Anyhow, the exact power consumption of the device inside the application must be computed according to different working conditions, thermal profiles, real thermal resistance of the system (including printed circuit board or other substrata), I/O activity, and so on.

Table 56. Package characteristics

| Package | Ambient temperature range | CPU frequency range |
|----------|---------------------------|---------------------|
| PQFP 144 | -40 to +125°C | 1 to 40 MHz |
| LQFP 144 | | |

24.4 Parameter interpretation

The parameters listed in the following tables represent the characteristics of the ST10F273M and its demands on the system.

Where the ST10F273M logic provides signals with their respective timing characteristics, the symbol “**CC**” for Controller Characteristics, is included in the “Symbol” column. Where the external system must provide signals with their respective timing characteristics to the ST10F273M, the symbol “**SR**” for System Requirement, is included in the “Symbol” column.

24.5 DC characteristics

$V_{DD} = 5\text{ V} \pm 10\%$, $V_{SS} = 0\text{ V}$, $T_A = -40\text{ to }+125^\circ\text{C}$

Table 57. DC characteristics

| Symbol | Parameter | Test condition | Limit values | | Unit |
|---------------|---|---|-----------------------------------|--|------|
| | | | Min | Max | |
| V_{IL} SR | Input low voltage (TTL mode) (except \overline{RSTIN} , \overline{EA} , \overline{NMI} , RPD , $XTAL1$, \overline{READY}) | – | -0.3 | 0.8 | V |
| V_{ILS} SR | Input low voltage (CMOS mode) (except \overline{RSTIN} , \overline{EA} , \overline{NMI} , RPD , $XTAL1$, \overline{READY}) | – | -0.3 | $0.3 V_{DD}$ | V |
| V_{IL1} SR | Input low voltage \overline{RSTIN} , \overline{EA} , \overline{NMI} , RPD | – | -0.3 | $0.3 V_{DD}$ | V |
| V_{IL2} SR | Input low voltage $XTAL1$ (CMOS only) | Direct drive mode | -0.3 | $0.3 V_{DD}$ | V |
| V_{IL3} SR | Input low voltage \overline{READY} (TTL only) | – | -0.3 | 0.8 | V |
| V_{IH} SR | Input high voltage (TTL mode) (except \overline{RSTIN} , \overline{EA} , \overline{NMI} , RPD , $XTAL1$) | – | 2.0 | $V_{DD} + 0.3$ | V |
| V_{IHS} SR | Input high voltage (CMOS mode) (except \overline{RSTIN} , \overline{EA} , \overline{NMI} , RPD , $XTAL1$) | – | $0.7 V_{DD}$ | $V_{DD} + 0.3$ | V |
| V_{IH1} SR | Input high voltage \overline{RSTIN} , \overline{EA} , \overline{NMI} , RPD | – | $0.7 V_{DD}$ | $V_{DD} + 0.3$ | V |
| V_{IH2} SR | Input high voltage $XTAL1$ (CMOS only) | Direct drive mode | $0.7 V_{DD}$ | $V_{DD} + 0.3$ | V |
| V_{IH3} SR | Input high voltage \overline{READY} (TTL only) | – | 2.0 | $V_{DD} + 0.3$ | V |
| V_{HYS} CC | Input hysteresis (TTL mode) (except \overline{RSTIN} , \overline{EA} , \overline{NMI} , $XTAL1$, RPD) | (3) | 400 | 700 | mV |
| V_{HYSS} CC | Input hysteresis (CMOS mode) (except \overline{RSTIN} , \overline{EA} , \overline{NMI} , $XTAL1$, RPD) | (3) | 750 | 1400 | mV |
| V_{HYS1} CC | Input hysteresis \overline{RSTIN} , \overline{EA} , \overline{NMI} | (3) | 750 | 1400 | mV |
| V_{HYS2} CC | Input hysteresis $XTAL1$ | (3) | 0 | 50 | mV |
| V_{HYS3} CC | Input hysteresis \overline{READY} (TTL only) | (3) | 400 | 700 | mV |
| V_{HYS4} CC | Input hysteresis RPD | (3) | 500 | 1500 | mV |
| V_{OL} CC | Output low voltage ($P6[7:0]$, ALE , \overline{RD} , $\overline{WR/WRL}$, $\overline{BHE/WRH}$, $CLKOUT$, \overline{RSTIN} , \overline{RSTOUT}) | $I_{OL} = 8\text{mA}$ $I_{OL} = 1\text{mA}$ | – | 0.4 0.05 | V |
| V_{OL1} CC | Output low voltage ($P0[15:0]$, $P1[15:0]$, $P2[15:0]$, $P3[15,13:0]$, $P4[7:0]$, $P7[7:0]$, $P8[7:0]$) | $I_{OL1} = 4\text{mA}$ $I_{OL1} = 0.5\text{mA}$ | – | 0.4 0.05 | V |
| V_{OL2} CC | Output low voltage RPD | $I_{OL2} = 85\mu\text{A}$ $I_{OL2} = 80\mu\text{A}$ $I_{OL2} = 60\mu\text{A}$ | – | V_{DD} $0.5 V_{DD}$ $0.3 V_{DD}$ | V |
| V_{OH} CC | Output high voltage ($P6[7:0]$, ALE , \overline{RD} , $\overline{WR/WRL}$, $\overline{BHE/WRH}$, $CLKOUT$, \overline{RSTOUT}) | $I_{OH} = -8\text{mA}$ $I_{OH} = -1\text{mA}$ | $V_{DD} - 0.8$ $V_{DD} - 0.08$ | – | V |

Table 57. DC characteristics (continued)

| Symbol | Parameter | Test condition | Limit values | | Unit |
|---------------------------------|---|---|---|--------------------------------|------|
| | | | Min | Max | |
| V _{OH1} CC | Output high voltage ⁽¹⁾ (P0[15:0], P1[15:0], P2[15:0], P3[15,13:0], P4[7:0], P7[7:0], P8[7:0]) | I _{OH1} = -4mA I _{OH1} = -0.5mA | V _{DD} - 0.8 V _{DD} - 0.08 | - | V |
| V _{OH2} CC | Output high voltage RPD | I _{OH2} = -2mA I _{OH2} = -750μA I _{OH2} = -150μA | 0 0.3 V _{DD} 0.5 V _{DD} | - | V |
| I _{OZ1} CC | Input leakage current (P5[15:0]) ⁽²⁾ | - | - | ±0.2 | μA |
| I _{OZ2} CC | Input leakage current (all except P5[15:0], P2[0], RPD, P3[12], P3[15]) | - | - | ±0.5 | μA |
| I _{OZ3} CC | Input leakage current (P2[0]) ⁽³⁾ | - | - | +1.0 -0.5 | μA |
| I _{OZ4} CC | Input leakage current (RPD) | - | - | ±3.0 | μA |
| I _{OZ5} CC | Input leakage current (P3[12], P3[15]) | - | - | ±1.0 | μA |
| I _{OV1} SR | Overload current (all except P2[0]) | ⁽³⁾ (4) | - | ±5 | mA |
| I _{OV2} SR | Overload current (P2[0]) ⁽³⁾ | ⁽³⁾ (4) | - | +5 -1 | mA |
| R _{RST} CC | $\overline{\text{RSTIN}}$ pull-up resistor | 100 kΩ nominal | 50 | 250 | kΩ |
| I _{RWH} | Read/Write inactive current ⁽⁴⁾ (5) | V _{OUT} = 2.4V | - | -40 | μA |
| I _{RWL} | Read/Write active current ⁽⁴⁾ (7) | V _{OUT} = 0.4V | -500 | - | μA |
| I _{ALEL} | ALE inactive current ⁽⁴⁾ (5) | V _{OUT} = 0.4V | 20 | - | μA |
| I _{ALEH} | ALE active current ⁽⁴⁾ (7) | V _{OUT} = 2.4V | - | 300 | μA |
| I _{P6H} | Port 6 inactive current (P6[4:0]) ⁽⁴⁾ (5) | V _{OUT} = 2.4V | - | -40 | μA |
| I _{P6L} | Port 6 active current (P6[4:0]) ⁽⁴⁾ (6) | V _{OUT} = 0.4V | -500 | - | μA |
| I _{P0H} ⁽⁵⁾ | PORT0 configuration current ⁽⁴⁾ | V _{IN} = 2.0V | - | -10 | μA |
| I _{P0L} ⁽⁶⁾ | | V _{IN} = 0.8V | -100 | - | μA |
| C _{IO} CC | Pin capacitance (digital inputs / outputs) | ⁽³⁾ (5) | - | 10 | pF |
| I _{CC1} | Run mode power supply current ⁽⁷⁾ (execution from internal RAM) | - | - | 20 + 2 f _{CPU} | mA |
| I _{CC2} | Run mode power supply current ⁽⁸⁾ (9) (execution from internal Flash) | - | - | 20 + 1.8 f _{CPU} | mA |
| I _{ID} | Idle mode supply current ⁽¹⁰⁾ | - | - | 20 + 0.6 f _{CP U} | mA |
| I _{PD1} | Power down supply current ⁽¹¹⁾ (RTC off, oscillators off, main voltage regulator off) | T _A = 25°C | - | 150 | μA |
| I _{PD2} | Power down supply current ⁽¹¹⁾ (12) (RTC on, main oscillator on, main voltage regulator off) | T _A = 25°C | - | 8 | mA |

Table 57. DC characteristics (continued)

| Symbol | Parameter | Test condition | Limit values | | Unit |
|-----------|--|--|--------------|-----|---------------|
| | | | Min | Max | |
| I_{PD3} | Power down supply current ⁽¹¹⁾ (RTC on, 32 kHz oscillator on, main voltage regulator off) | $T_A = 25^\circ\text{C}$ | – | 200 | μA |
| I_{SB1} | Standby supply current ⁽¹³⁾ (RTC off, oscillators off, V_{DD} off, V_{STBY} on) | $V_{STBY} = 5.5\text{ V}$ $T_A = T_J = 25^\circ\text{C}$ | – | 250 | μA |
| | | $V_{STBY} = 5.5\text{ V}$ $T_A = T_J = 125^\circ\text{C}$ | – | 500 | μA |
| I_{SB2} | Standby supply current ⁽¹³⁾ (RTC on, 32 kHz oscillator on, main V_{DD} off, V_{STBY} on) | $V_{STBY} = 5.5\text{ V}$ $T_A = T_J = 25^\circ\text{C}$ | – | 250 | μA |
| | | $V_{STBY} = 5.5\text{ V}$ $T_A = T_J = 125^\circ\text{C}$ | – | 500 | μA |
| I_{SB3} | Standby supply current ⁽⁸⁾⁽¹³⁾ (V_{DD} transient condition) | – | – | 2.5 | mA |

- This specification is not valid for outputs which are switched to open drain mode. In this case the respective output will float and the voltage is imposed by the external circuitry.
- Port 5 leakage values are granted for not selected A/D converter channel. One channels is always selected (by default, after reset, P5.0 is selected). For the selected channel the leakage value is similar to that of other port pins.
- Consult your vendor to know which version of the on-chip oscillator amplifier is enabled (Low-Power or Wide-Swing). The leakage of P2.0 is higher than other pins due to the additional logic (pass gates active only in specific test modes) implemented on input path. Pay attention to not stress P2.0 input pin with negative overload beyond the specified limits: failures in Flash reading may occur (sense amplifier perturbation). Refer to next [Figure 38](#) for a scheme of the input circuitry.
- This specification is only valid during Reset, or during Hold- or Adapt-mode. Port 6 pins are only affected, if they are used for CS output and the open drain function is not enabled.
- The maximum current may be drawn while the respective signal line remains inactive.
- The minimum current must be drawn in order to drive the respective signal line active.
- The power supply current is a function of the operating frequency (f_{CPU} is expressed in MHz). This dependency is illustrated in the [Figure 39](#) below. This parameter is tested at V_{DDmax} and at maximum CPU clock frequency with all outputs disconnected and all inputs at V_{IL} or V_{IH} , RSTIN pin at V_{IH1min} . **This implies that I/O current is not considered.** The device is doing the following:
 Fetching code from IRAM and XRAM1, accessing in read and write to both XRAM modules
 Watchdog Timer is enabled and regularly serviced
 RTC is running with main oscillator clock as reference, generating a tick interrupts every 192 clock cycles
 Four channels of XPWM are running (waves period: 2, 2.5, 3 and 4 CPU clock cycles): no output toggling
 Five General Purpose Timers are running in timer mode with prescaler equal to 8 (T2, T3, T4, T5, T6)
 ADC is in **Auto Scan Continuous Conversion mode** on all 16 channels of Port5
 All interrupts generated by XPWM, RTC, Timers and ADC are not serviced
- Not 100% tested, guaranteed by design characterization.
- The power supply current is a function of the operating frequency (f_{CPU} is expressed in MHz). This dependency is illustrated in the [Figure 39](#) below. This parameter is tested at V_{DDmax} and at maximum CPU clock frequency with all outputs disconnected and all inputs at V_{IL} or V_{IH} , RSTIN pin at V_{IH1min} . **This implies that I/O current is not considered.** The device is doing the following:
 Fetching code from all sectors of IFlash, accessing in read (few fetches) and write to XRAM
 Watchdog Timer is enabled and regularly serviced
 RTC is running with main oscillator clock as reference, generating a tick interrupts every 192 clock cycles
 Four channels of XPWM are running (waves period: 2, 2.5, 3 and 4 CPU clock cycles): no output toggling
 Five General Purpose Timers are running in timer mode with prescaler equal to 8 (T2, T3, T4, T5, T6)
 ADC is in **Auto Scan Continuous Conversion mode** on all 16 channels of Port5
 All interrupts generated by XPWM, RTC, Timers and ADC are not serviced
- The Idle mode supply current is a function of the operating frequency (f_{CPU} is expressed in MHz). This dependency is illustrated in the [Figure 38](#) below. These parameters are tested and at maximum CPU clock with all outputs disconnected and all inputs at V_{IL} or V_{IH} , RSTIN pin at V_{IH1min} .

11. This parameter is tested including leakage currents. All inputs (including pins configured as inputs) at 0 V to 0.1 V or at $V_{DD} - 0.1$ V to V_{DD} , $V_{AREF} = 0$ V, all outputs (including pins configured as outputs) disconnected. Besides, the Main Voltage Regulator is assumed off: in case it is not, additional 1mA shall be assumed. The value for this parameter shall be considered as "Target Value" to be confirmed by silicon characterization.
12. Overload conditions occur if the standard operating conditions are exceeded, that is, the voltage on any pin exceeds the specified range (that is, $V_{OV} > V_{DD} + 0.3$ V or $V_{OV} < -0.3$ V). The absolute sum of input overload currents on all port pins may not exceed 50mA. The supply voltage must remain within the specified limits.
13. This parameter is tested including leakage currents. All inputs (including pins configured as inputs) at 0 V to 0.1 V or at $V_{DD} - 0.1$ V to V_{DD} , $V_{AREF} = 0$ V, all outputs (including pins configured as outputs) disconnected. Besides, the Main Voltage Regulator is assumed off: in case it is not, additional 1mA shall be assumed. The value for this parameter shall be considered as "Target Value" to be confirmed by silicon characterization.

Figure 38. Port2 test mode structure

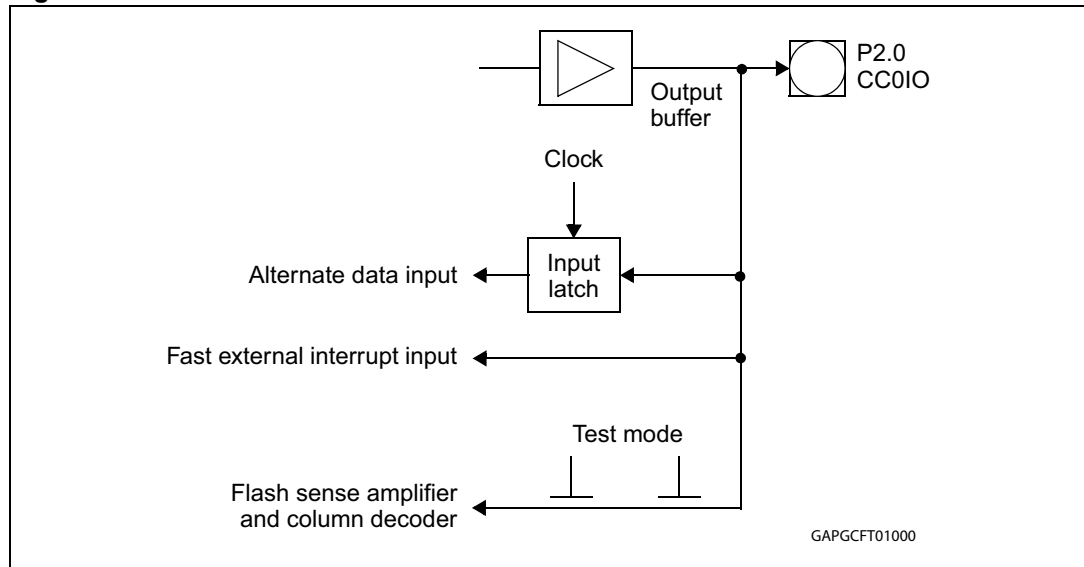
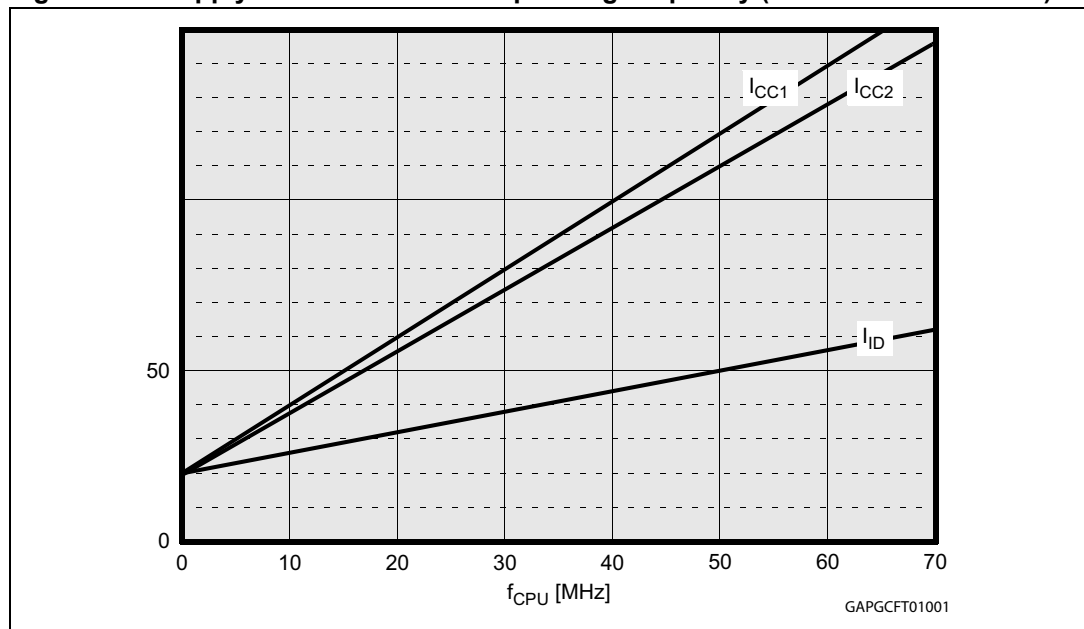


Figure 39. Supply current versus the operating frequency (RUN and IDLE modes)



24.6 Flash characteristics

$V_{DD} = 5V \pm 10\%$, $V_{SS} = 0V$

Table 58. Flash characteristics

| Parameter | Typical | Maximum | | Unit | Notes |
|---|--------------------------|---------------------------|--------------|---------------|------------------------------------|
| | $T_A = 25^\circ\text{C}$ | $T_A = 125^\circ\text{C}$ | | | |
| | 0 cycles ⁽¹⁾ | 0 cycles ⁽¹⁾ | 100k cycles | | |
| Word program (32-bit) ⁽²⁾ | 35 | 80 | 290 | μs | – |
| Double word program (64-bit) ⁽²⁾ | 60 | 150 | 570 | μs | – |
| Bank 0 program (512K) (double word program) | 3.9 | 9.9 | 37.3 | s | – |
| Sector erase (8K) | 0.6 0.5 | 0.9 0.8 | 1.0 0.9 | s | not preprogrammed preprogrammed |
| Sector erase (32K) | 1.1 0.8 | 2.0 1.8 | 2.7 2.5 | s | not preprogrammed preprogrammed |
| Sector erase (64K) | 1.7 1.3 | 3.7 3.3 | 5.1 4.7 | s | not preprogrammed preprogrammed |
| Bank 0 erase (512K) ⁽³⁾ | 11.2 8.0 | 27.2 23.9 | 38.4 35.1 | s | not preprogrammed preprogrammed |
| Recovery from power-down (t_{PD}) | - | 40 | 40 | μs | ⁽⁴⁾ |
| Program suspend latency ⁽⁴⁾ | - | 10 | 10 | μs | |
| Erase suspend latency ⁽⁴⁾ | - | 30 | 30 | μs | |
| Erase suspend request rate ⁽⁴⁾ | 20 | 20 | 20 | ms | Minimum delay between 2 requests |
| Set protection ⁽⁴⁾ | 40 | 170 | 170 | μs | |

1. The figures are given after about 100 cycles due to testing routines (0 cycles at the final customer).
2. Word and Double Word Programming times are provided as average values derived from a full sector programming time: The absolute value of a Word or Double Word Programming time could be longer than the average value.
3. Bank Erase is obtained through a multiple Sector Erase operation (setting bits related to all sectors of the Bank). As ST10F273M implements only one bank, the Bank Erase operation is equivalent to Module and Chip Erase operations.
4. Not 100% tested, guaranteed by Design Characterization

Table 59. Flash data retention characteristics

| Number of program / erase cycles ($-40^{\circ}\text{C} \leq T_A \leq 125^{\circ}\text{C}$) | Data retention time (average ambient temperature 60°C) | |
|---|--|---|
| | 256 Kbyte (code store) | 64 Kbyte (EEPROM emulation) ⁽¹⁾ |
| 0 - 100 | > 20 years | > 20 years |
| 1000 | - | > 20 years |
| 10000 | - | 10 years |
| 100000 | - | 1 year |

1. Two 64 Kbyte Flash Sectors may be typically used to emulate up to 4, 8 or 16 Kbytes of EEPROM. Therefore, in case of an emulation of a 16 Kbyte EEPROM, 100,000 Flash Program / Erase cycles are equivalent to 800,000 EEPROM Program/Erase cycles.
For an efficient use of the Read While Write feature and/or EEPROM Emulation, please refer to the dedicated application note *EEPROM Emulation with ST10F2xx* (AN2061). Contact your local field service, local sales person or STMicroelectronics representative to obtain a copy of such a guideline document.

24.7 A/D converter characteristics

$$V_{DD} = 5V \pm 10\%, V_{SS} = 0V, T_A = -40 \text{ to } +125^{\circ}\text{C}, 4.5V \leq V_{AREF} \leq V_{DD}, \\ V_{SS} \leq V_{AGND} \leq V_{SS} + 0.2V$$

Table 60. A/D converter characteristics

| Symbol | Parameter | Test condition | Limit values | | Unit |
|---------------|--|--|----------------------|----------------------|---------------|
| | | | Min | Max | |
| V_{AREF} SR | Analog reference voltage ⁽¹⁾ | | 4.5 | V_{DD} | V |
| V_{AGND} SR | Analog ground voltage | | V_{SS} | $V_{SS} + 0.2$ | V |
| V_{AIN} SR | Analog input voltage ⁽²⁾ | | V_{AGND} | V_{AREF} | V |
| I_{AREF} CC | Reference supply current | Running mode ⁽³⁾ | - | 5 | mA |
| | | Power down mode | - | 1 | μA |
| t_S CC | Sample time | (4) | 1 | - | μs |
| t_C CC | Conversion time | (5) | 3 | - | μs |
| DNL | Differential non linearity ⁽⁶⁾ | No overload | -1 | +1 | LSB |
| INL | Integral non linearity ⁽⁶⁾ | No overload | -1.5 | +1.5 | LSB |
| OFS | Offset error ⁽⁶⁾ | No overload | -1.5 | +1.5 | LSB |
| TUE | Total unadjusted error ⁽⁶⁾ | Port5 Port1 - No overload ⁽³⁾ Port1 - Overload ⁽³⁾ | -2.0 -5.0 -7.0 | +2.0 +5.0 +7.0 | LSB |
| K | Coupling factor between inputs ⁽³⁾⁽⁷⁾ | On both Port5 and Port1 | - | 10^{-6} | - |
| C_{P1} CC | Input pin capacitance ⁽³⁾⁽⁸⁾ | | - | 3 | pF |
| C_{P2} CC | | Port5 Port1 | - | 4 6 | pF |

Table 60. A/D converter characteristics (continued)

| Symbol | Parameter | Test condition | Limit values | | Unit |
|-----------------|-----------|--|--------------|------|------|
| | | | Min | Max | |
| C _S | CC | Sampling capacitance ⁽³⁾⁽⁸⁾ | – | 3.5 | pF |
| R _{SW} | CC | Analog switch resistance ⁽³⁾⁽⁸⁾ | Port5 | 600 | Ω |
| | | | Port1 | 1600 | |
| R _{AD} | CC | | – | 1300 | Ω |

- V_{AREF} can be tied to ground when A/D converter is not in use: An extra consumption (around 200µA) on main V_{DD} is added due to internal analog circuitry not completely turned off. Therefore, it is suggested to maintain the V_{AREF} at V_{DD} level even when not in use, and eventually switch off the A/D converter circuitry by setting bit ADOFF in ADCON register.
- V_{AIN} may exceed V_{AGND} or V_{AREF} up to the absolute maximum ratings. However, the conversion result in these cases will be 0x000H or 0x3FFH, respectively.
- Not 100% tested, guaranteed by design characterization.
- During the sample time the input capacitance C_{AIN} can be charged/discharged by the external source. The internal resistance of the analog source must allow the capacitance to reach its final voltage level within t_S. After the end of the sample time t_S, changes of the analog input voltage have no effect on the conversion result.
Values for the sample clock t_S depends on programming and can be taken from [Table 61: A/D converter programming](#).
- This parameter includes the sample time t_S, the time for determining the digital result and the time to load the result register with the conversion result. Values for the conversion clock t_{CC} depend on programming and can be taken from next [Table 61](#).
- DNL, INL, OFS and TUE are tested at V_{AREF} = 5.0 V, V_{AGND} = 0V, V_{DD} = 5.0 V. It is guaranteed by design characterization for all other voltages within the defined voltage range.
'LSB' has a value of V_{AREF}/1024.
For Port5 channels, the specified TUE (± 2LSB) is guaranteed also with an overload condition (see I_{OV} specification) occurring on maximum 2 not selected analog input pins of Port5 and if the absolute sum of input overload currents on all Port5 analog input pins does not exceed 10 mA.
For Port1 channels, the specified TUE is guaranteed when no overload condition is applied to Port1 pins: When an overload condition occurs on maximum 2 not selected analog input pins of Port1 and the input positive overload current on all analog input pins does not exceed 10 mA (either dynamic or static injection), the specified TUE is degraded (± 7LSB). To achieve the same accuracy, the negative injection current on Port1 pins must not exceed -1mA in case of both dynamic and static injection.
- The coupling factor is measured on a channel while an overload condition occurs on the adjacent not selected channels with the overload current within the different specified ranges (for both positive and negative injection current).
- Refer to scheme in [Figure 41](#).

24.7.1 Conversion timing control

When a conversion is started, first the capacitances of the converter are loaded via the respective analog input pin to the current analog input voltage. The time to load the capacitances is referred to as sample time. Next the sampled voltage is converted to a digital value several successive steps, which correspond to the 10-bit resolution of the ADC. During these steps the internal capacitances are repeatedly charged and discharged via the V_{AREF} pin.

The current that has to be drawn from the sources for sampling and changing charges depends on the time that each respective step takes, because the capacitors must reach their final voltage level within the given time, at least with a certain approximation. The maximum current, however, that a source can deliver, depends on its internal resistance.

The time that the two different actions (sampling, and converting) take during conversion can be programmed within a certain range in the ST10F273M relative to the CPU clock. The absolute time that is consumed by the different conversion steps therefore is independent

from the general speed of the controller. This allows adjusting the A/D converter of the ST10F273M to the properties of the system:

Fast conversion can be achieved by programming the respective times to their absolute possible minimum. This is preferable for scanning high frequency signals. The internal resistance of analog source and analog supply must be sufficiently low, however.

High internal resistance can be achieved by programming the respective times to a higher value, or the possible maximum. This is preferable when using analog sources and supply with a high internal resistance in order to keep the current as low as possible. The conversion rate in this case may be considerably lower, however.

The conversion times are programmed via the upper four bits of register ADCON. Bit fields ADCTC and ADSTC are used to define the basic conversion time and in particular the partition between sample phase and comparison phases. The table below lists the possible combinations. The timings refer to the unit TCL, where $f_{CPU} = 1/2TCL$. A complete conversion time includes the conversion itself, the sample time and the time required to transfer the digital value to the result register.

Table 61. A/D converter programming

| ADCTC | ADSTC | Sample | Comparison | Extra | Total conversion |
|-------|-------|------------|------------|-----------|------------------|
| 00 | 00 | TCL * 120 | TCL * 240 | TCL * 28 | TCL * 388 |
| 00 | 01 | TCL * 140 | TCL * 280 | TCL * 16 | TCL * 436 |
| 00 | 10 | TCL * 200 | TCL * 280 | TCL * 52 | TCL * 532 |
| 00 | 11 | TCL * 400 | TCL * 280 | TCL * 44 | TCL * 724 |
| 11 | 00 | TCL * 240 | TCL * 480 | TCL * 52 | TCL * 772 |
| 11 | 01 | TCL * 280 | TCL * 560 | TCL * 28 | TCL * 868 |
| 11 | 10 | TCL * 400 | TCL * 560 | TCL * 100 | TCL * 1060 |
| 11 | 11 | TCL * 800 | TCL * 560 | TCL * 52 | TCL * 1444 |
| 10 | 00 | TCL * 480 | TCL * 960 | TCL * 100 | TCL * 1540 |
| 10 | 01 | TCL * 560 | TCL * 1120 | TCL * 52 | TCL * 1732 |
| 10 | 10 | TCL * 800 | TCL * 1120 | TCL * 196 | TCL * 2116 |
| 10 | 11 | TCL * 1600 | TCL * 1120 | TCL * 164 | TCL * 2884 |

Note: The total conversion time is compatible with the formula valid for ST10F269, while the meaning of the bit fields ADCTC and ADSTC is no longer compatible: the minimum conversion time is 388 TCL, which at 40 MHz CPU frequency corresponds to 4.85µs (see ST10F269).

24.7.2 A/D conversion accuracy

The A/D converter compares the analog voltage sampled on the selected analog input channel to its analog reference voltage (V_{AREF}) and converts it into 10-bit digital data. The

absolute accuracy of the A/D conversion is the deviation between the input analog value and the output digital value. It includes the following errors:

- Offset error (OFS)
- Gain error (GE)
- Quantization error
- Non-linearity error (Differential and Integral)

These four error quantities are explained below using [Figure 40](#).

Offset error

Offset error is the deviation between actual and ideal A/D conversion characteristics when the digital output value changes from the minimum (zero voltage) 00 to 01 ([Figure 40](#), see OFS).

Gain error

Gain error is the deviation between the actual and ideal A/D conversion characteristics when the digital output value changes from the 3FEh to the maximum 3FFh once offset error is subtracted. Gain error combined with offset error represents the so-called full-scale error ([Figure 40](#), OFS + GE).

Quantization error

Quantization error is the intrinsic error of the A/D converter and is expressed as 1/2 LSB.

Non-linearity error

Non-linearity error is the deviation between actual and the best-fitting A/D conversion characteristics (see [Figure 40](#)):

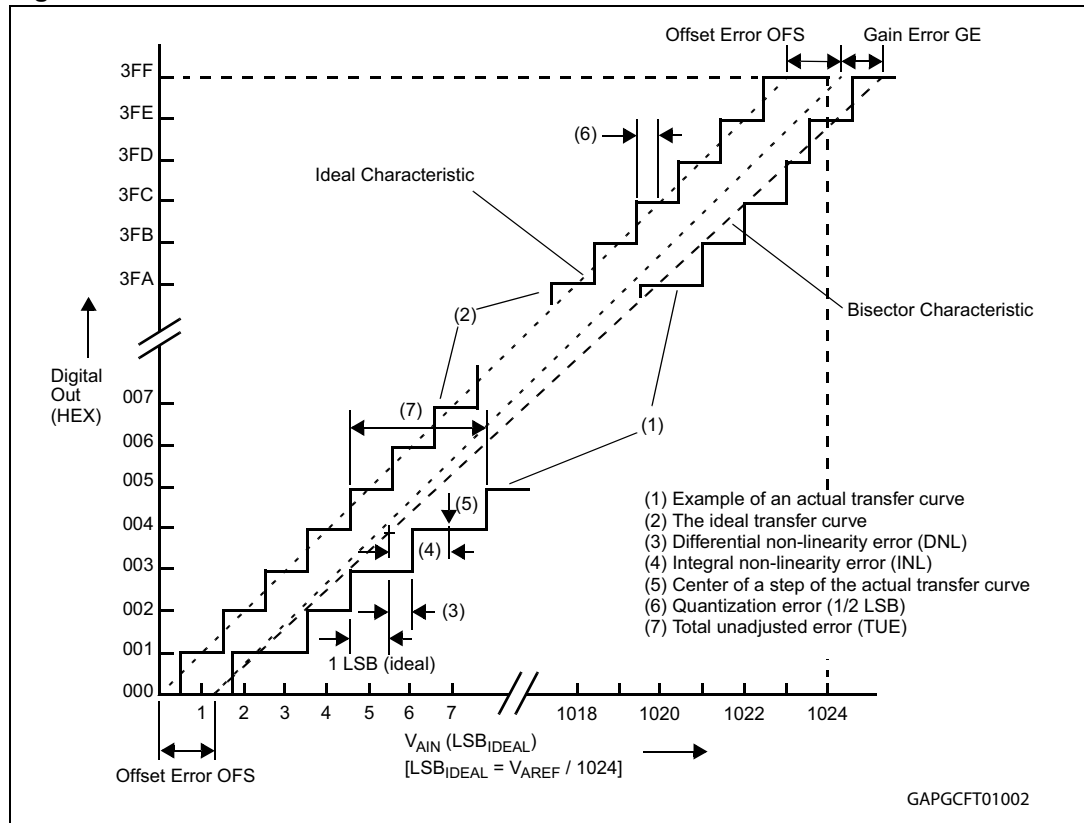
- Differential non-linearity error is the actual step dimension versus the ideal one ($1 \text{ LSB}_{\text{IDEAL}}$).
- Integral non-linearity error is the distance between the center of the actual step and the center of the bisector line, in the actual characteristics. Note that for integral non-linearity error, the effect of offset, gain and quantization errors is not included.

Note: Bisector characteristic is obtained drawing a line from 1/2 LSB before the first step of the real characteristic, and 1/2 LSB after the last step again of the real characteristic.

24.7.3 Total unadjusted error

The total unadjusted error specifies the maximum deviation from the ideal characteristic: The number provided in the datasheet represents the maximum error with respect to the entire characteristic. It is a combination of the offset, gain and integral linearity errors. The different errors may compensate each other depending on the relative sign of the offset and gain errors. Refer to [Figure 40](#), see TUE.

Figure 40. A/D conversion characteristics



24.7.4 Analog reference pins

The accuracy of the A/D converter depends on the accuracy of its analog reference: A noise in the reference results in at least that much error in a conversion. A low pass filter on the A/D converter reference source (supplied through pins V_{AREF} and V_{AGND}) is recommended in order to clean the signal, minimizing the noise. A simple capacitive bypass may be sufficient in most cases; in presence of high RF noise energy, inductors or ferrite beads may be necessary.

In this architecture, V_{AREF} and V_{AGND} pins also represent the power supply of the analog circuitry of the A/D converter: There is an effective DC current requirement from the reference voltage by the internal resistor string in the R-C DAC array and by the rest of the analog circuitry.

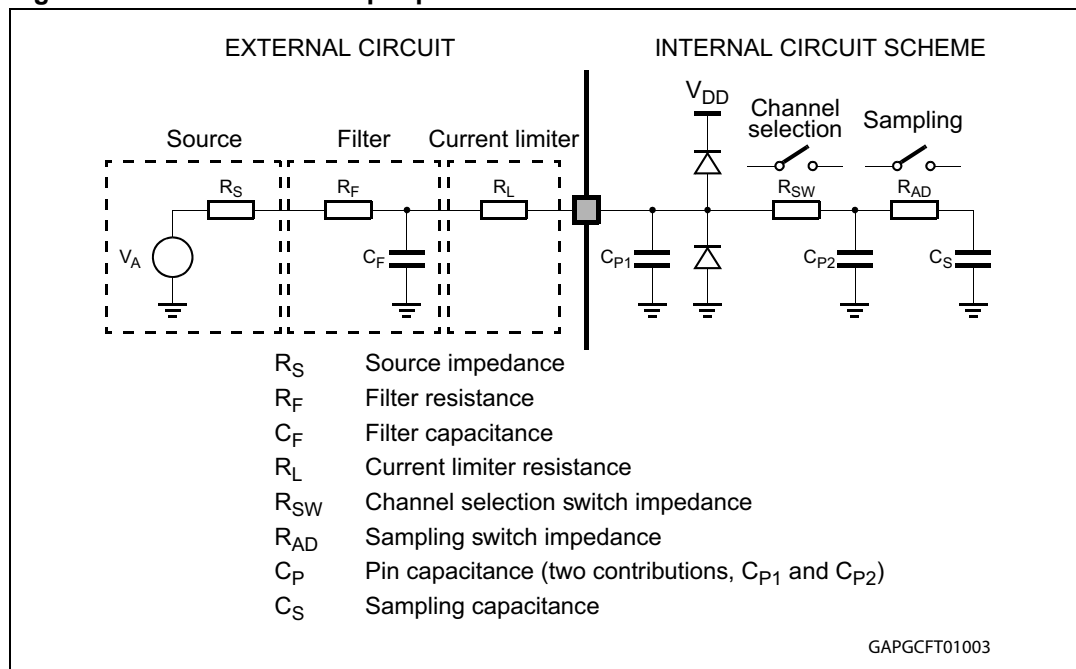
An external resistance on V_{AREF} could introduce error under certain conditions: For this reason, series resistance is not advisable, and more in general any series devices in the filter network should be designed to minimize the DC resistance.

Analog input pins

To improve the accuracy of the A/D converter, it is necessary that analog input pins have low AC impedance. Placing a capacitor with good high frequency characteristics at the input pin of the device can be effective: The capacitor should be as large as possible, ideally infinite. This capacitor contributes to attenuating the noise present on the input pin; moreover, it sources charge during the sampling phase, when the analog signal source is a high-impedance source.

A real filter can typically be obtained by using a series resistance with a capacitor on the input pin (simple RC Filter). The RC filtering may be limited according to the value of source impedance of the transducer or circuit supplying the analog signal to be measured. The filter at the input pins must be designed taking into account the dynamic characteristics of the input signal (bandwidth).

Figure 41. A/D converter input pins scheme



Input leakage and external circuit

The series resistor utilized to limit the current to a pin (see R_L in [Figure 41](#)), in combination with a large source impedance, can lead to a degradation of A/D converter accuracy when input leakage is present.

Data about maximum input leakage current at each pin is provided in the datasheet ([Electrical characteristics](#) section). Input leakage is greatest at high operating temperatures and in general decreases by one half for each 10°C decrease in temperature.

Considering that, for a 10-bit A/D converter one count is about 5mV (assuming $V_{AREF} = 5V$), an input leakage of 100nA acting through an $R_L = 50k\Omega$ of external resistance leads to an error of exactly one count (5mV); if the resistance were 100kΩ, the error would become two counts.

Eventual additional leakage due to external clamping diodes must also be taken into account in computing the total leakage affecting the A/D converter measurements. Another contribution to the total leakage is represented by the charge-sharing effects with the sampling capacitance: C_S being substantially a switched capacitance, with a frequency equal to the conversion rate of a single channel (maximum when fixed channel continuous conversion mode is selected), it can be seen as a resistive path to ground. For instance, assuming a conversion rate of 250 kHz, with C_S equal to 4pF, a resistance of 1MΩ is obtained ($R_{EQ} = 1 / f_C C_S$, where f_C represents the conversion rate at the considered channel). To minimize the error induced by the voltage partitioning between this resistance

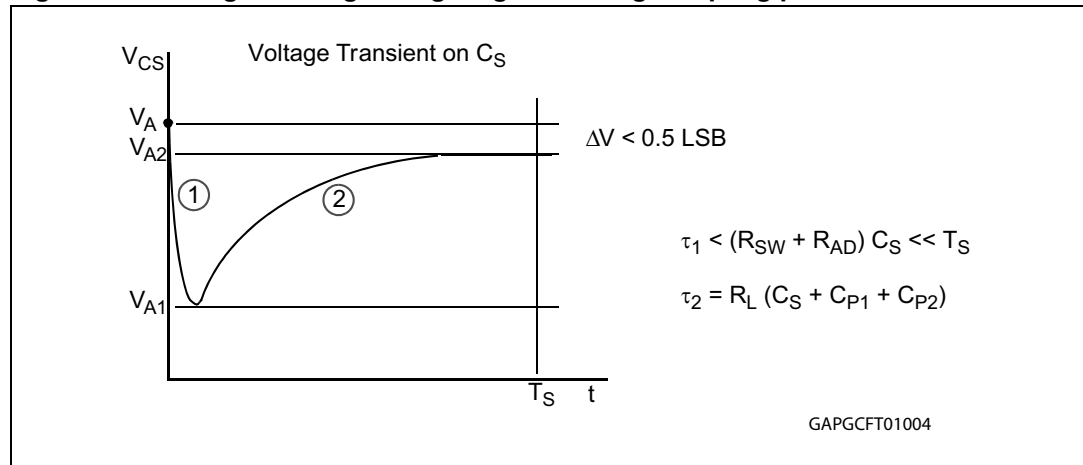
(sampled voltage on C_S) and the sum of $R_S + R_F + R_L + R_{SW} + R_{AD}$, the external circuit must be designed to respect the following relation:

$$V_A \cdot \frac{R_S + R_F + R_L + R_{SW} + R_{AD}}{R_{EQ}} < \frac{1}{2} \text{LSB}$$

The formula above provides constraints for external network design, in particular on a resistive path.

A second aspect involving the capacitance network must be considered. Assuming the three capacitances C_F , C_{P1} and C_{P2} initially charged at the source voltage V_A (refer to the equivalent circuit reported in [Figure 41](#)), when the sampling phase is started (A/D switch close), a charge-sharing phenomena is installed.

Figure 42. Charge-sharing timing diagram during sampling phase



In particular two different transient periods can be distinguished (see [Figure 42](#)):

- A first and quick charge transfer from the internal capacitance C_{P1} and C_{P2} to the sampling capacitance C_S occurs (C_S is supposed initially completely discharged): considering a worst case (since the time constant in reality would be faster) in which C_{P2} is reported in parallel to C_{P1} (call $C_P = C_{P1} + C_{P2}$), the two capacitances C_P and C_S are in series, and the time constant is:

$$\tau_1 = (R_{SW} + R_{AD}) \cdot \frac{C_P \cdot C_S}{C_P + C_S}$$

- This relation can again be simplified considering only C_S as an additional worst condition. In reality, the transient is faster, but the A/D converter circuitry has been designed to be robust also in the very worst case: the sampling time T_S is always much longer than the internal time constant:

$$\tau_1 < (R_{SW} + R_{AD}) \cdot C_S \ll T_S$$

- The charge of C_{P1} and C_{P2} is redistributed also on C_S , determining a new value of the voltage V_{A1} on the capacitance according to the following equation:

$$V_{A1} \cdot (C_S + C_{P1} + C_{P2}) = V_A \cdot (C_{P1} + C_{P2})$$

- A second charge transfer involves also C_F (that is typically bigger than the on-chip capacitance) through the resistance R_L : again considering the worst case in which C_{P2} and C_S were in parallel to C_{P1} (since the time constant in reality would be faster), the time constant is:

$$\tau_2 < R_L \cdot (C_S + C_{P1} + C_{P2})$$

- In this case, the time constant depends on the external circuit: in particular imposing that the transient is completed well before the end of sampling time T_S , a constraint on R_L sizing is obtained:

$$10 \cdot \tau_2 = 10 \cdot R_L \cdot (C_S + C_{P1} + C_{P2}) \leq T_S$$

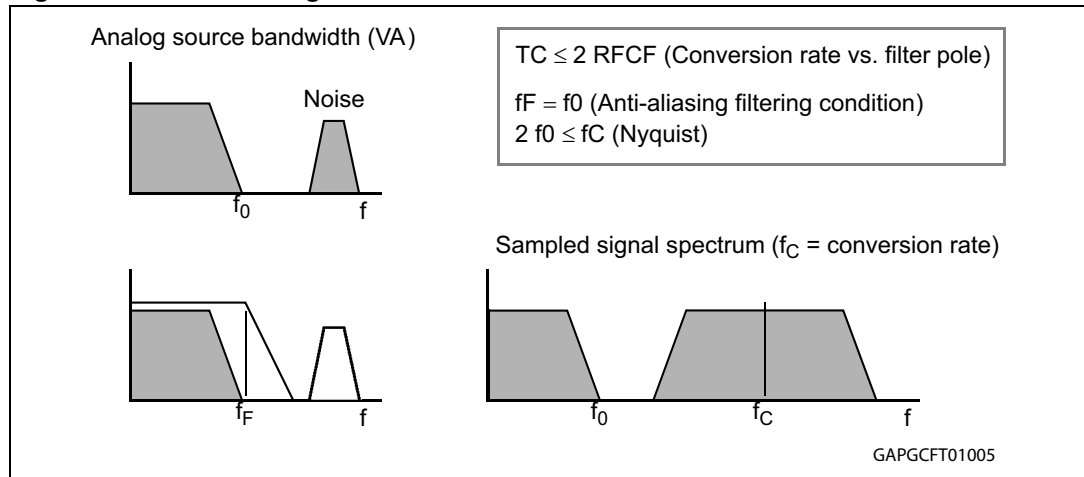
- Of course, R_L shall be sized also according to the current limitation constraints, in combination with R_S (source impedance) and R_F (filter resistance). C_F being definitively bigger than C_{P1} , C_{P2} and C_S , the final voltage V_{A2} (at the end of the charge transfer transient) will then be much higher than V_{A1} . The following equation must be respected (charge balance assuming now C_S already charged at V_{A1}):

$$V_{A2}(C_S + C_{P1} + C_{P2} + C_F) = V_A \cdot C_F + V_{A1}(C_{P1} + C_{P2} + C_S)$$

The two transients above are not influenced by the voltage source that, due to the presence of the $R_F C_F$ filter, is not able to provide the extra charge to compensate the voltage drop on C_S with respect to the ideal source V_A ; the time constant $R_F C_F$ of the filter is very high with respect to the sampling time (T_S). The filter is typically designed to act as anti-aliasing (see [Figure 43](#)).

Calling f_0 the bandwidth of the source signal (and as a consequence the cut-off frequency of the anti-aliasing filter, f_F), according to Nyquist theorem the conversion rate f_C must be at least $2f_0$; it means that the constant time of the filter is greater than or at least equal to twice the conversion period (T_C). Again the conversion period T_C is longer than the sampling time T_S , which is just a portion of it, even when fixed channel continuous conversion mode is selected (fastest conversion rate at a specific channel): In conclusion it is evident that the time constant of the filter $R_F C_F$ is definitively much higher than the sampling time T_S , so the charge level on C_S cannot be modified by the analog signal source during the time in which the sampling switch is closed.

Figure 43. Anti-aliasing filter and conversion rate



The considerations above lead to impose new constraints to the external circuit, to reduce the accuracy error due to the voltage drop on C_S ; from the two charge balance equations above, it is simple to derive the following relation between the ideal and real sampled voltage on C_S :

$$\frac{V_A}{V_{A2}} = \frac{C_{P1} + C_{P2} + C_F}{C_{P1} + C_{P2} + C_F + C_S}$$

From this formula, in the worst case (when V_A is maximum, that is, for instance 5V), assuming to accept a maximum error of half a count (~2.44mV), a constraint is immediately obvious on C_F value:

$$C_F > 2048 C_S$$

In the next section an example of how to design the external network is provided, assuming some reasonable values for the internal parameters and making a hypothesis on the characteristics of the analog signal to be sampled.

Example of external network sizing

The following hypotheses are formulated in order to proceed in designing the external network on A/D converter input pins:

- Analog Signal Source Bandwidth (f_0): 10 kHz
- Conversion Rate (f_C): 25 kHz
- Sampling Time (T_S): 1 μ s
- Pin Input Capacitance (C_{P1}): 5 pF
- Pin Input Routing Capacitance (C_{P2}): 1 pF
- Sampling Capacitance (C_S): 4 pF
- Maximum Input Current Injection (I_{INJ}): 3 mA
- Maximum Analog Source Voltage (V_{AM}): 12 V
- Analog Source Impedance (R_S): 100 Ω
- Channel Switch Resistance (R_{SW}): 500 Ω
- Sampling Switch Resistance (R_{AD}): 200 Ω

1. Supposing to design the filter with the pole exactly at the maximum frequency of the signal, the time constant of the filter is:

$$R_C C_F = \frac{1}{2\pi f_0} = 15.9 \mu\text{s}$$

2. Using the relation between C_F and C_S and taking some margin (4000 instead of 2048), it is possible to define C_F :

$$C_F = 4000 C_S = 16 \text{ nF}$$

3. As a consequence of step 1 and 2, RC can be chosen:

$$R_F = \frac{1}{2\pi f_0 C_F} = 995 \Omega \cong 1 \text{ k}\Omega$$

4. Considering the current injection limitation and supposing that the source can go up to 12V, the total series resistance can be defined as:

$$R_S + R_F + R_L = \frac{V_{AM}}{I_{INJ}} = 4 \text{ k}\Omega$$

from which is now simple to define the value of R_L :

$$R_L = \frac{V_{AM}}{I_{INJ}} - R_F - R_S = 2.9 \text{ k}\Omega$$

5. Now the three elements of the external circuit R_F , C_F and R_L are defined. Some conditions discussed in the previous paragraphs have been used to size the component, the other must now be verified. The relation which allows minimization of

the accuracy error introduced by the switched capacitance equivalent resistance is in this case:

$$R_{EQ} = \frac{1}{f_C C_S} = 10M\Omega$$

So the error due to the voltage partitioning between the real resistive path and C_S is less than half a count (considering the worst case when $V_A = 5V$):

$$V_A \cdot \frac{R_S + R_F + R_L + R_{SW} + R_{AD}}{R_{EQ}} = 2.35mV < \frac{1}{2}LSB$$

The other condition to be verified is if the time constants of the transients are really and significantly shorter than the sampling period duration T_S :

$$\tau_1 = (R_{SW} + R_{AD}) \cdot C_S = 2.8ns \quad T_S = 1\mu s$$

$$10 \tau_2 = 10 R_L (C_S + C_{P1} + C_{P2}) = 290ns \quad T_S = 1\mu s$$

For the complete set of parameters characterizing the ST10F273M A/D converter equivalent circuit, refer to [Section 24.7: A/D converter characteristics on page 139](#).

24.8 AC characteristics

24.8.1 Test waveforms

Figure 44. Input/output waveforms

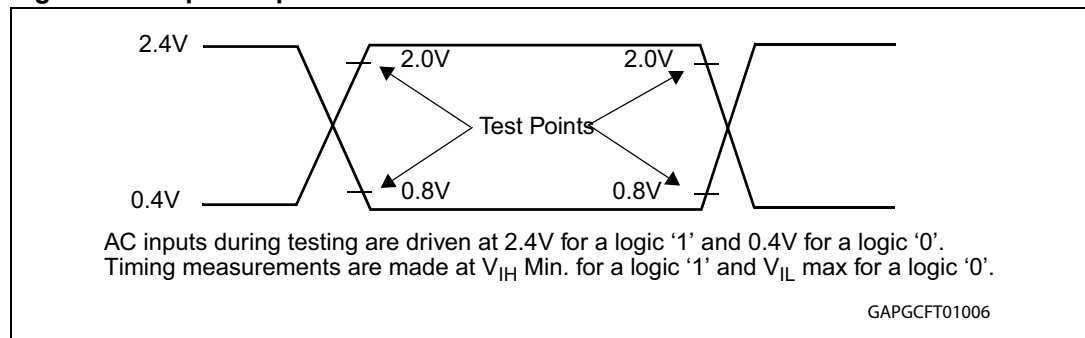
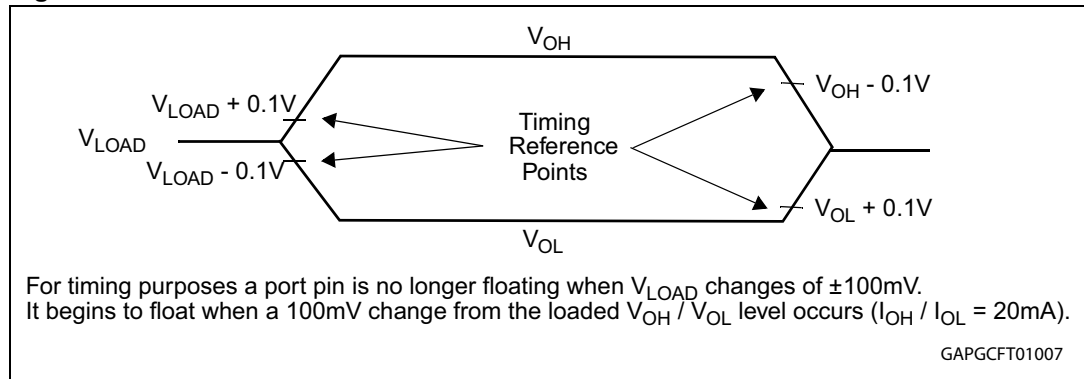


Figure 45. Float waveform



24.8.2 Definition of internal timing

The internal operation of the ST10F273M is controlled by the internal CPU clock f_{CPU} . Both edges of the CPU clock can trigger internal (for example pipeline) or external (for example bus cycles) operations.

The specification of the external timing (AC Characteristics) therefore depends on the time between two consecutive edges of the CPU clock, called "TCL".

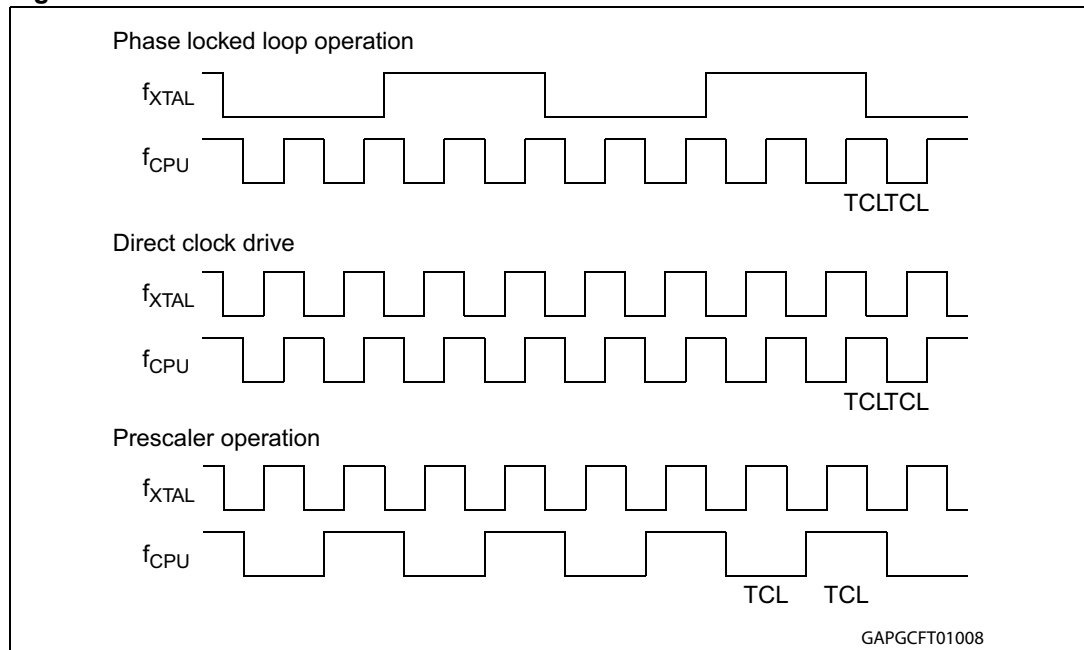
The CPU clock signal can be generated by different mechanisms. The duration of TCL and its variation (and also the derived external timing) depends on the mechanism used to generate f_{CPU} .

This influence must be regarded when calculating the timings for the ST10F273M.

The example for PLL operation shown in [Figure 46](#) refers to a PLL factor of 4.

The mechanism used to generate the CPU clock is selected during reset by the logic levels on pins P0.15-13 (P0H.7-5).

Figure 46. Generation mechanisms for the CPU clock



24.8.3 Clock generation modes

The next [Table 62](#) associates the combinations of these three bits with the respective clock generation mode.

Table 62. On-chip clock generator selections

| P0.15-13 (P0H.7-5) | CPU frequency $f_{CPU} = f_{XTAL} \times F$ | External clock input range ⁽¹⁾⁽²⁾ | Notes |
|-----------------------|--|--|--|
| | | Main OSC (MHz) | |
| 1 1 1 | $f_{XTAL} \times 4$ | 4 to 8 | Default configuration |
| 1 1 0 | $f_{XTAL} \times 3$ | 5.3 to 10.6 | |
| 1 0 1 | $f_{XTAL} \times 8$ | 4 to 5 | |
| 1 0 0 | $f_{XTAL} \times 5$ | 6.4 to 8 | |
| 0 1 1 | $f_{XTAL} \times 1$ | 1 to 40 | Direct drive (oscillator bypassed) ⁽³⁾ |
| 0 1 0 | $f_{XTAL} \times 10$ | 4 | |
| 0 0 1 | $f_{XTAL} / 2$ | 4 to 12 | CPU clock via prescaler ⁽²⁾ |
| 0 0 0 | - | - | Reserved |

1. The external clock input range refers to a CPU clock range of 1...40 MHz. Moreover, the PLL usage is limited to 4 to 12 MHz input frequency range. All configurations need a crystal (or ceramic resonator) to generate the CPU clock through the internal oscillator amplifier (apart from Direct Drive): vice versa, the clock can be forced through an external clock source only in Direct Drive mode (on-chip oscillator amplifier disabled, so no crystal or resonator can be used).
2. The limits on input frequency are 4 to 12 MHz since the usage of the internal oscillator amplifier is required. Also when the PLL is not used and the CPU clock corresponds to $f_{XTAL}/2$, an external crystal or resonator shall be used: it is not possible to force any clock through an external clock source.
3. The maximum depends on the duty cycle of the external clock signal: When 40 MHz is used, 50% duty cycle shall be granted (low phase = high phase = 12.5ns); when 20 MHz is selected, a 25% duty cycle can be accepted (minimum phase, high or low, again equal to 12.5ns).

24.8.4 Prescaler operation

When pins P0.15-13 (P0H.7-5) equal '001' during reset, the CPU clock is derived from the internal oscillator (input clock signal) by a 2:1 prescaler.

The frequency of f_{CPU} is half the frequency of f_{XTAL} and the high and low time of f_{CPU} (that is, the duration of an individual TCL) is defined by the period of the input clock f_{XTAL} .

The timings listed in the AC Characteristics that refer to TCL therefore can be calculated using the period of f_{XTAL} for any TCL.

Note that if the bit OWDDIS in SYSCON register is cleared, the PLL runs on its free-running frequency and delivers the clock signal for the Oscillator Watchdog. If bit OWDDIS is set, then the PLL is switched off.

24.8.5 Direct drive

When pins P0.15-13 (P0H.7-5) equal '011' during reset the on-chip phase locked loop is disabled, the on-chip oscillator amplifier is bypassed and the CPU clock is directly driven by the input clock signal on XTAL1 pin.

The frequency of CPU clock (f_{CPU}) directly follows the frequency of f_{XTAL} so the high and low time of f_{CPU} (that is, the duration of an individual TCL) is defined by the duty cycle of the input clock f_{XTAL} .

Therefore, the timings given in this chapter refer to the minimum TCL. This minimum value can be calculated by the following formula:

$$\begin{aligned} \text{TCL}_{\text{min}} &= 1/f_{\text{XTAL}} \times \text{DC}_{\text{min}} \\ \text{DC} &= \text{duty cycle} \end{aligned}$$

For two consecutive TCLs, the deviation caused by the duty cycle of f_{XTAL} is compensated, so the duration of 2TCL is always $1/f_{\text{XTAL}}$.

The minimum value TCL_{min} has to be used only once for timings that require an odd number of TCLs (1,3,...). Timings that require an even number of TCLs (2,4,...) may use the formula:

$$2\text{TCL} = 1/f_{\text{XTAL}}$$

The address float timings in Multiplexed bus mode (t_{11} and t_{45}) use the maximum duration of TCL ($\text{TCL}_{\text{max}} = 1/f_{\text{XTAL}} \times \text{DC}_{\text{max}}$) instead of TCL_{min} .

Similarly to what happens for Prescaler Operation, if the bit OWDDIS in SYSCON register is cleared, the PLL runs on its free-running frequency and delivers the clock signal for the Oscillator Watchdog. If bit OWDDIS is set, then the PLL is switched off.

24.8.6 Oscillator watchdog (OWD)

An on-chip watchdog oscillator is implemented in the ST10F273M. This feature is used for safety operation with external crystal oscillator (available only when using direct drive mode with or without prescaler, so the PLL is not used to generate the CPU clock multiplying the frequency of the external crystal oscillator). This watchdog oscillator operates as following.

The reset default configuration enables the watchdog oscillator. It can be disabled by setting the OWDDIS (bit 4) of SYSCON register.

When the OWD is enabled, the PLL runs at its free-running frequency, and it increments the watchdog counter. On each transition of external clock, the watchdog counter is cleared. If an external clock failure occurs, then the watchdog counter overflows (after 16 PLL clock cycles).

The CPU clock signal will be switched to the PLL free-running clock signal, and the oscillator watchdog Interrupt Request is flagged. The CPU clock will not switch back to the external clock even if a valid external clock exists on XTAL1 pin. Only a hardware reset (or bidirectional Software / Watchdog reset) can switch the CPU clock source back to direct clock input.

When the OWD is disabled, the CPU clock is always the external oscillator clock (in Direct Drive or Prescaler Operation) and the PLL is switched off to decrease consumption supply current.

24.8.7 Phase locked loop (PLL)

For all other combinations of pins P0.15-13 (P0H.7-5) during reset the on-chip phase locked loop is enabled and it provides the CPU clock (see [Table 62](#)). The PLL multiplies the input frequency by the factor F which is selected via the combination of pins P0.15-13 ($f_{\text{CPU}} =$

$f_{XTAL} \times F$). With every F 'th transition of f_{XTAL} the PLL circuit synchronizes the CPU clock to the input clock. This synchronization is done smoothly, so the CPU clock frequency does not change abruptly.

Due to this adaptation to the input clock the frequency of f_{CPU} is constantly adjusted so it is locked to f_{XTAL} . The slight variation causes a jitter of f_{CPU} which also effects the duration of individual TCLs.

The timings listed in the AC Characteristics that refer to TCLs therefore must be calculated using the minimum TCL that is possible under the respective circumstances.

The real minimum value for TCL depends on the jitter of the PLL. The PLL tunes f_{CPU} to keep it locked on f_{XTAL} . The relative deviation of TCL is the maximum when it is referred to one TCL period.

This is especially important for bus cycles using wait states and for example, such as for the operation of timers or serial interfaces. For all slower operations and longer periods (for example, such as pulse train generation or measurement, or lower baudrates) the deviation caused by the PLL jitter is negligible. Refer to the next [Section 24.8.9: PLL jitter](#) for more details.

24.8.8 Voltage controlled oscillator

The ST10F273M implements a PLL which combines different levels of frequency dividers with a Voltage Controlled Oscillator (VCO) working as frequency multiplier. [Table 63 on page 153](#) gives a detailed summary of the internal settings and VCO frequency.

Table 63. Internal PLL divider mechanism

| P0.15-13 (P0H.7-5) | XTAL frequency | Input prescaler | PLL | | Output prescaler | CPU frequency $f_{CPU} = f_{XTAL} \times F$ |
|-----------------------|-----------------|--------------------|----------------|-----------|---------------------|--|
| | | | Multiply by | Divide by | | |
| 1 1 1 | 4 to 8 MHz | $f_{XTAL} / 4$ | 64 | 4 | - | $f_{XTAL} \times 4$ |
| 1 1 0 | 5.3 to 10.6 MHz | | 48 | | | $f_{XTAL} \times 3$ |
| 1 0 1 | 4 to 5 MHz | | 64 | 2 | | $f_{XTAL} \times 8$ |
| 1 0 0 | 6.4 to 8 MHz | | 40 | | | $f_{XTAL} \times 5$ |
| 0 1 1 | 1 to 40 MHz | - | PLL bypassed | | - | $f_{XTAL} \times 1$ |
| 0 1 0 | 4 MHz | $f_{XTAL} / 2$ | 40 | 2 | - | $f_{XTAL} \times 10$ |
| 0 0 1 | 4 to 12 MHz | - | PLL bypassed | | $f_{PLL} / 2$ | $f_{XTAL} / 2$ |
| 0 0 0 | Reserved | | | | | |

Note: The PLL input frequency range is limited to 1 to 3.5 MHz, while the VCO oscillation range is 64 to 128 MHz. The CPU clock frequency range when PLL is used is 16 to 40 MHz.

Example 1

- $f_{XTAL} = 4 \text{ MHz}$
- $P0(15:13) = '110'$ (multiplication by 3)
- PLL Input Frequency = 1 MHz
- VCO frequency = 48 MHz: **NOT VALID**, must be 64 to 128 MHz
- $f_{CPU} = \text{NOT VALID}$

Example 2

- $f_{XTAL} = 8 \text{ MHz}$
- $P0(15:13) = '100'$ (multiplication by 5)
- PLL Input Frequency = 2 MHz
- VCO frequency = 80 MHz
- PLL Output Frequency = 40 MHz (VCO frequency divided by 2)
- $f_{CPU} = 40 \text{ MHz}$ (no effect of Output Prescaler)

24.8.9 PLL jitter

The following terminology is hereafter defined:

- **Self referred single period jitter**
Also called "Period Jitter", it can be defined as the difference of the T_{max} and T_{min} , where T_{max} is maximum time period of the PLL output clock and T_{min} is the minimum time period of the PLL output clock.
- **Self referred long term jitter**
Also called "N period jitter", it can be defined as the difference of T_{max} and T_{min} , where T_{max} is the maximum time difference between $N + 1$ clock rising edges and T_{min} is the minimum time difference between $N + 1$ clock rising edges. Here N should be kept sufficiently large to have the long term jitter. For $N = 1$, this becomes the single period jitter.

Jitter at the PLL output can be due to the following reasons:

- Jitter in the input clock
- Noise in the PLL loop

Jitter in the input clock

PLL acts like a low pass filter for any jitter in the input clock. Input Clock jitter with the frequencies within the PLL loop bandwidth is passed to the PLL output and higher frequency jitter (frequency > PLL bandwidth) is attenuated @20dB/decade.

Noise in the PLL loop

This contribution again can be caused by the following sources:

- Device noise of the circuit in the PLL
- Noise in supply and substrate.

Device noise of the circuit in the PLL

The long term jitter is inversely proportional to the bandwidth of the PLL: the wider is the loop bandwidth, the lower is the jitter due to noise in the loop. Besides, the long term jitter is practically independent on the multiplication factor.

The most noise sensitive circuit in the PLL circuit is definitively the VCO (Voltage Controlled Oscillator). There are two main sources of noise: thermal (random noise, frequency independent so practically white noise) and flicker (low frequency noise, $1/f$). For the frequency characteristics of the VCO circuitry, the effect of the thermal noise results in a $1/f^2$ region in the output noise spectrum, while the flicker noise in a $1/f^3$. Assuming a noiseless PLL input and supposing that the VCO is dominated by its $1/f^2$ noise, the R.M.S. value of the accumulated jitter is *proportional to the square root of N*, where N is the number of clock periods within the considered time interval.

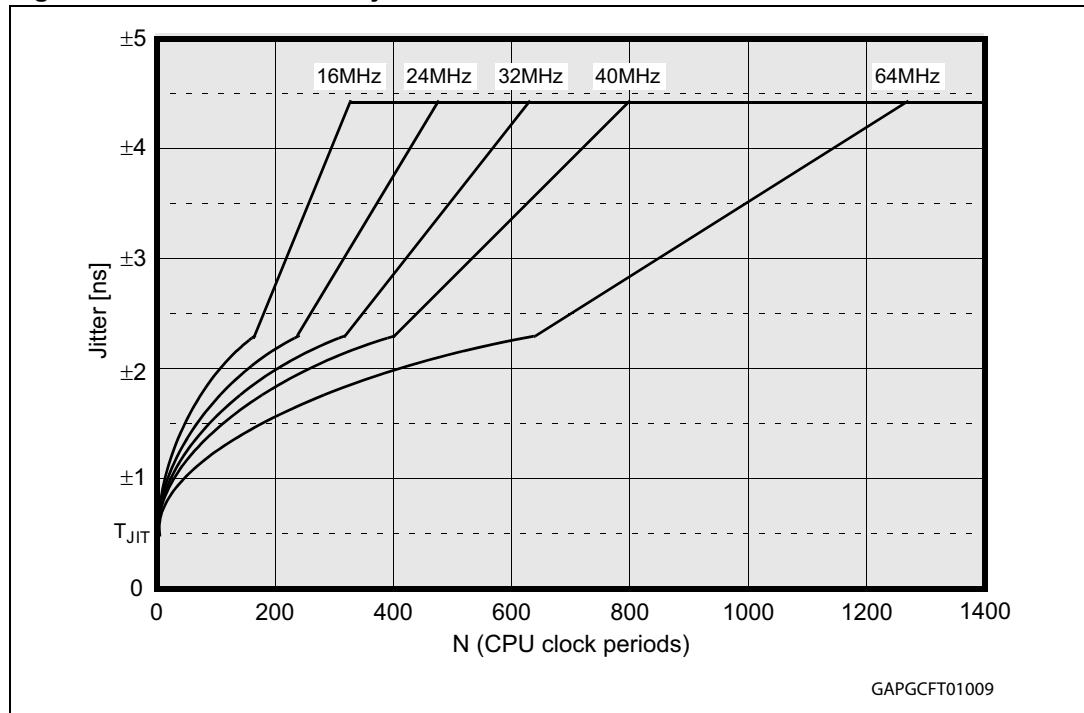
On the contrary, assuming again a noiseless PLL input and supposing that the VCO is dominated by its $1/f^3$ noise, the R.M.S. value of the accumulated jitter is *proportional to N*, where N is the number of clock periods within the considered time interval.

The jitter in the PLL loop can be modeled as dominated by the $1/f^2$ noise for N smaller than a certain value depending on the PLL output frequency and on the bandwidth characteristics of loop. Above this first value, the jitter becomes dominated by the $1/f^3$ noise component. Lastly, for N greater than a second value of N, a saturation effect is evident, so the jitter does not grow anymore when considering a longer time interval (jitter stable increasing the number of clock periods N). The PLL loop acts as a high pass filter for any noise in the loop, with cutoff frequency equal to the bandwidth of the PLL. The saturation value corresponds to what has been called self referred long term jitter of the PLL. In [Figure 47](#) the maximum jitter trend versus the number of clock periods N (for some typical CPU frequencies) is reported: the curves represent the very worst case, computed taking into account all corners of temperature, power supply and process variations: the real jitter is always measured well below the given worst case values.

Noise in supply and substrate

Digital supply noise adds deterministic components to the PLL output jitter, independent on multiplication factor. Its effects is strongly reduced thanks to particular care used in the physical implementation and integration of the PLL module inside the device. Anyhow, the contribution of the digital noise to the global jitter is widely taken into account in the curves provided in [Figure 47](#).

Figure 47. ST10F273M PLL jitter



24.8.10 PLL lock / unlock

During normal operation, if the PLL gets unlocked for any reason, an interrupt request to the CPU is generated, and the reference clock (oscillator) is automatically disconnected from the PLL input: in this way, the PLL goes into free-running mode, providing the system with a backup clock signal (free running frequency f_{free}). This feature allows to recover from a crystal failure occurrence without risking to go into an undefined configuration: The system is provided with a clock allowing the execution of the PLL unlock interrupt routine in a safe mode.

The path between reference clock and PLL input can be restored only by a hardware reset, or by a bidirectional software or watchdog reset event that forces the \overline{RSTIN} pin low.

Note: The external RC circuit on \overline{RSTIN} pin shall be properly sized in order to extend the duration of the low pulse to grant the PLL gets locked before the level at \overline{RSTIN} pin is recognized high: bidirectional reset internally drives \overline{RSTIN} pin low for just 1024 TCL (definitively not sufficient to get the PLL locked starting from free-running mode).

Table 64. PLL characteristics ($V_{DD} = 5V \pm 10\%$, $V_{SS} = 0V$, $T_A = -40^\circ C$ to $+125^\circ C$)

| Symbol | Parameter | Conditions | Value | | Unit |
|------------|---|--|-------|------|---------|
| | | | Min | Max | |
| T_{PSUP} | PLL start-up time ⁽¹⁾ | Stable V_{DD} and reference clock | – | 300 | μs |
| T_{LOCK} | PLL lock-in time | Stable V_{DD} and reference clock, starting from free-running mode | – | 250 | |
| T_{JIT} | Single period jitter ⁽¹⁾ (cycle to cycle = 2 TCL) | 6 sigma time period variation (peak to peak) | -500 | +500 | ps |
| F_{free} | PLL free running frequency | Multiplication factors: 3, 4 | 250 | 2000 | kHz |
| | | Multiplication factors: 5, 8, 10 | 500 | 4000 | |

1. Not 100% tested, guaranteed by design characterization.

24.8.11 Main oscillator specifications

$V_{DD} = 5V \pm 10\%$, $V_{SS} = 0V$, $T_A = -40$ to $+125^\circ C$

Table 65. Main oscillator characteristics

| Symbol | Parameter | Conditions | Value | | | Unit |
|------------|--|-----------------------------|-------|---------------------|-----|------|
| | | | Min | Typ | Max | |
| g_m | Oscillator transconductance | – | 8 | 17 | 35 | mA/V |
| V_{OSC} | Oscillation amplitude ⁽¹⁾ | Peak to peak | – | $V_{DD} - 0.4$ | – | V |
| V_{AV} | Oscillation voltage level ⁽¹⁾ | Sine wave middle | | $V_{DD} / 2 - 0.25$ | – | |
| t_{STUP} | Oscillator start-up time ⁽¹⁾ | Stable V_{DD} - crystal | | 3 | 4 | ms |
| | | Stable V_{DD} - resonator | 2 | 3 | | |

1. Not 100% tested, guaranteed by design characterization.

Figure 48. Crystal oscillator and resonator connection diagram

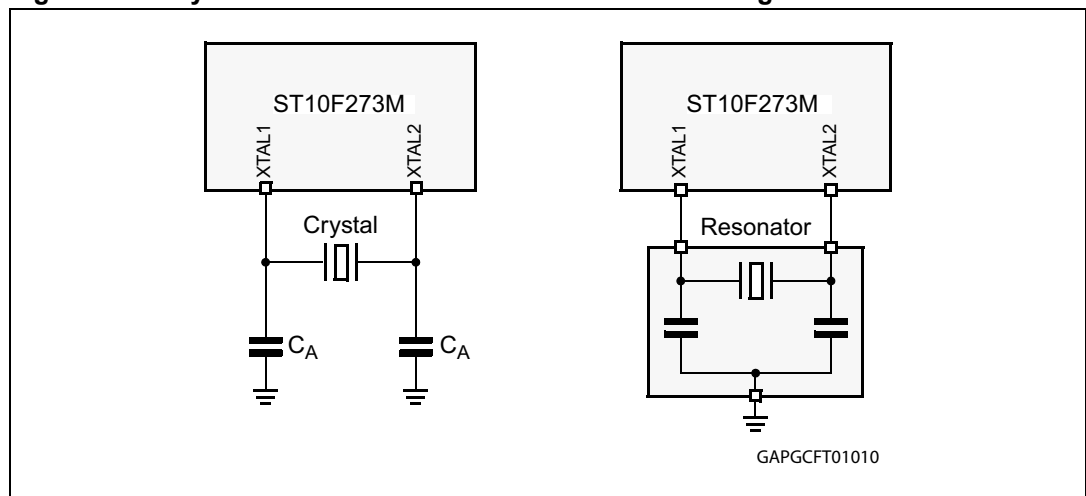


Table 66. Main oscillator negative resistance (module)

| $C_A =$ | 12pF | 15pF | 18pF | 22pF | 27pF | 33pF | 39pF | 47pF |
|---------|-------|-------|-------|-------|-------|--------|--------|--------|
| 4 MHz | 460 Ω | 550 Ω | 675 Ω | 800 Ω | 840 Ω | 1000 Ω | 1180 Ω | 1200 Ω |
| 8 MHz | 380 Ω | 460 Ω | 540 Ω | 640 Ω | 580 Ω | - | - | - |
| 12 MHz | 370 Ω | 420 Ω | 360 Ω | - | - | - | - | - |

The given values of C_A do not include the stray capacitance of the package and of the printed circuit board: the negative resistance values are calculated assuming additional 5pF to the values in the table. The crystal shunt capacitance (C_0), the package and the stray capacitance between XTAL1 and XTAL2 pins is globally assumed equal to 4pF.

The external resistance between XTAL1 and XTAL2 is not necessary, since already present on the silicon.

24.8.12 32 kHz oscillator specifications

$V_{DD} = 5V \pm 10\%$, $V_{SS} = 0V$, $T_A = -40$ to $+125^\circ C$

Table 67. 32 kHz oscillator characteristics

| Symbol | Parameter | Conditions | Value | | | Unit |
|--------------|--|------------------|-------|-----|-----|-----------|
| | | | Min | Typ | Max | |
| g_{m32} | Oscillator transconductance ⁽¹⁾ | Start-up | 20 | 31 | 50 | $\mu A/V$ |
| | | Normal run | 8 | 17 | 30 | |
| V_{OSC32} | Oscillation amplitude ⁽²⁾ | Peak to peak | 0.5 | 1.0 | 2.4 | V |
| V_{AV32} | Oscillation voltage level ⁽²⁾ | Sine wave middle | 0.7 | 0.9 | 1.2 | |
| t_{STUP32} | Oscillator start-up time ⁽²⁾ | Stable V_{DD} | - | 1 | 5 | s |

1. At power-on a high current biasing is applied for faster oscillation start-up. Once the oscillation is started, the current biasing is reduced to lower the power consumption of the system.

2. Not 100% tested, guaranteed by design characterization.

Figure 49. 32 kHz crystal oscillator connection diagram

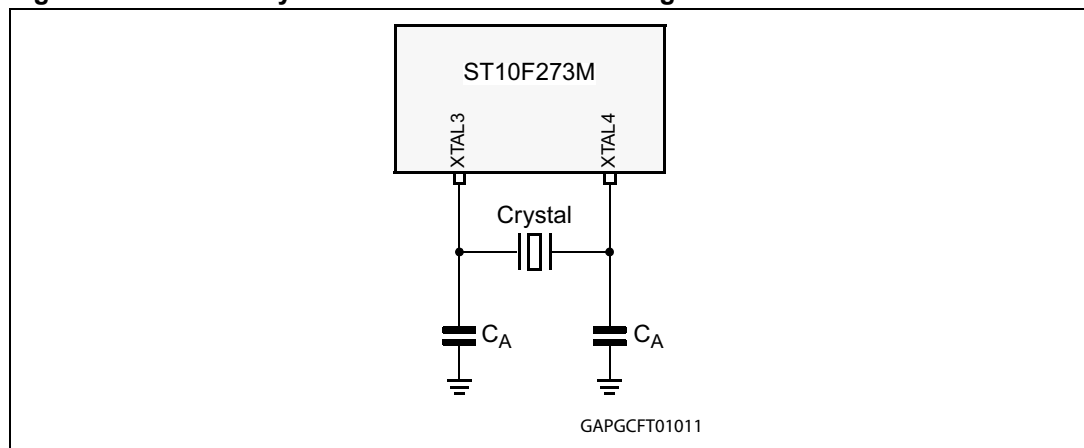


Table 68. Minimum values of negative resistance (module) for 32 kHz oscillator

| Frequency | C _A = 6pF | C _A = 12pF | C _A = 15pF | C _A = 18pF | C _A = 22pF | C _A = 27pF | C _A = 33pF |
|-----------|----------------------|-----------------------|-----------------------|-----------------------|-----------------------|-----------------------|-----------------------|
| 32 kHz | - | - | - | - | 150 kΩ | 120 kΩ | 90 kΩ |

The given values of C_A do not include the stray capacitance of the package and of the printed circuit board: The negative resistance values are calculated assuming additional 5pF to the values in the table. The crystal shunt capacitance (C₀) and the package capacitance between XTAL3 and XTAL4 pins is globally assumed equal to 4pF. The external resistance between XTAL3 and XTAL4 is not necessary, since already present on the silicon.

Warning: Direct driving on XTAL3 pin is not supported. Always use a 32 kHz crystal oscillator.

24.8.13 External clock drive XTAL1

When Direct Drive configuration is selected during reset, it is possible to drive the CPU clock directly from the XTAL1 pin, without particular restrictions on the maximum frequency, since the on-chip oscillator amplifier is bypassed. The speed limit is imposed by internal logic that targets a maximum CPU frequency of 40 MHz.

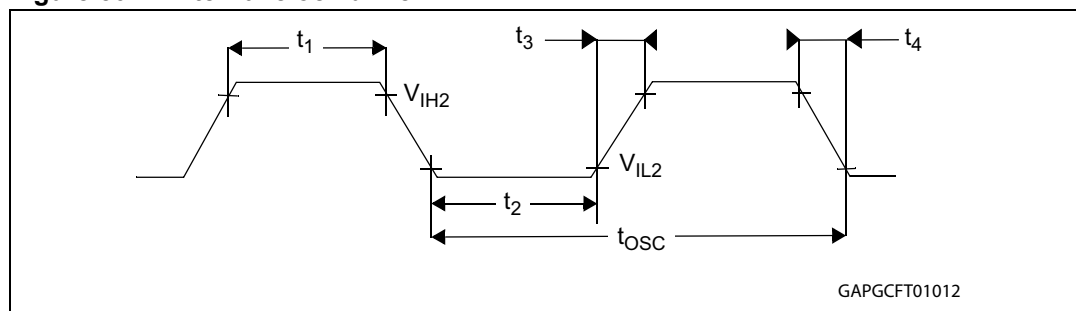
In all other clock configurations (Direct Drive with Prescaler or PLL usage) the on-chip oscillator amplifier is not bypassed, so it determines the input clock speed limit. Then, when the on-chip oscillator is enabled it is forbidden to use any external clock source different from crystal or ceramic resonator.

Table 69. External clock drive XTAL1 timing

| Parameter | Symbol | | Direct drive f _{CPU} = f _{XTAL} | | Direct drive with prescaler f _{CPU} = f _{XTAL} / 2 | | PLL usage f _{CPU} = f _{XTAL} x F | | Unit |
|--------------------------------|------------------|----|--|-----|--|-----|---|-----|------|
| | | | Min | Max | Min | Max | Min | Max | |
| XTAL1 period ⁽¹⁾⁽²⁾ | t _{OSC} | SR | 25 | – | 10 | 250 | 100 | 250 | ns |
| High time ⁽³⁾ | t ₁ | SR | 6 | – | 3 | – | 6 | – | |
| Low time ⁽³⁾ | t ₂ | SR | 6 | – | 3 | – | 6 | – | |
| Rise time ⁽³⁾ | t ₃ | SR | – | 2 | – | 2 | – | 2 | |
| Fall time ⁽³⁾ | t ₄ | SR | – | 2 | – | 2 | – | 2 | |

1. The minimum value for the XTAL1 signal period shall be considered as the theoretical minimum. The real minimum value depends on the duty cycle of the input clock signal.
2. 4 to 12 MHz is the input frequency range when using an external clock source. 40 MHz can be applied with an external clock source only when Direct Drive mode is selected: in this case, the oscillator amplifier is bypassed so it does not limit the input frequency.
3. The input clock signal must reach the defined levels V_{IL2} and V_{IH2}.

Figure 50. External clock drive XTAL1



Note: When Direct Drive is selected, an external clock source can be used to drive XTAL1. The maximum frequency of the external clock source depends on the duty cycle: when 40 MHz is used, 50% duty cycle shall be granted (low phase = high phase = 12.5ns); when for instance 20 MHz is used, a 25% duty cycle can be accepted (minimum phase, high or low, again equal to 12.5ns).

24.8.14 Memory cycle variables

The tables below use three variables which are derived from the BUSCONx registers and represent the special characteristics of the programmed memory cycle. The following table describes how these variables are to be computed.

Table 70. Memory cycle variables

| Description | Symbol | Values |
|-------------------------------|--------|-----------------------------|
| ALE Extension | t_A | $TCL \times [ALECTL]$ |
| Memory Cycle Time wait states | t_C | $2TCL \times (15 - [MCTC])$ |
| Memory Tri-stateTime | t_F | $2TCL \times (1 - [MTTC])$ |

24.8.15 External memory bus timing

The following sections present the External Memory Bus timings. The given values are computed for a maximum CPU clock of 40 MHz.

Note: All external memory bus timings and SSC timings reported in the following tables are based on design characterization and not fully tested in production.

24.8.16 Multiplexed bus

$V_{DD} = 5V \pm 10\%$, $V_{SS} = 0V$, $T_A = -40$ to $+125^\circ C$, $CL = 50pF$,
 ALE cycle time = $6 TCL + 2t_A + t_C + t_F$ (75ns at 40 MHz CPU clock without wait states)

Table 71. Multiplexed bus timings

| Symbol | Parameter | $f_{CPU} = 40\text{ MHz}$ $TCL = 12.5\text{ ns}$ | | Variable CPU clock $1/2\ TCL = 1$ to 40 MHz | | Unit |
|----------|----------------------|---|-----|---|-----|------|
| | | Min | Max | Min | Max | |
| t_5 CC | ALE high time | $4 + t_A$ | – | $TCL - 8.5 + t_A$ | – | ns |
| t_6 CC | Address setup to ALE | $1.5 + t_A$ | – | $TCL - 11 + t_A$ | – | ns |

Table 71. Multiplexed bus timings (continued)

| Symbol | Parameter | $f_{\text{CPU}} = 40 \text{ MHz}$ TCL = 12.5ns | | Variable CPU clock 1/2 TCL = 1 to 40 MHz | | Unit |
|--------------------|--|---|---|---|--|------|
| | | Min | Max | Min | Max | |
| t ₇ CC | Address hold after ALE | 4 + t _A | – | TCL - 8.5 + t _A | – | ns |
| t ₈ CC | ALE falling edge to $\overline{\text{RD}}$, $\overline{\text{WR}}$ (with RW-delay) | 4 + t _A | – | TCL - 8.5 + t _A | – | ns |
| t ₉ CC | ALE falling edge to $\overline{\text{RD}}$, $\overline{\text{WR}}$ (no RW-delay) | -8.5 + t _A | – | -8.5 + t _A | – | ns |
| t ₁₀ CC | Address float after $\overline{\text{RD}}$, $\overline{\text{WR}}$ (with RW-delay) | – | 6 | – | 6 | ns |
| t ₁₁ CC | Address float after $\overline{\text{RD}}$, $\overline{\text{WR}}$ (no RW-delay) | – | 18.5 | – | TCL + 6 | ns |
| t ₁₂ CC | $\overline{\text{RD}}$, $\overline{\text{WR}}$ low time (with RW-delay) | 15.5 + t _C | – | 2TCL - 9.5 + t _C | – | ns |
| t ₁₃ CC | $\overline{\text{RD}}$, $\overline{\text{WR}}$ low time (no RW-delay) | 28 + t _C | – | 3TCL - 9.5 + t _C | – | ns |
| t ₁₄ SR | $\overline{\text{RD}}$ to valid data in (with RW-delay) | – | 6 + t _C | – | 2TCL - 19 + t _C | ns |
| t ₁₅ SR | $\overline{\text{RD}}$ to valid data in (no RW-delay) | – | 18.5 + t _C | – | 3TCL - 19 + t _C | ns |
| t ₁₆ SR | ALE low to valid data in | – | 17.5 + t _A + t _C | – | 3TCL - 20 + t _A + t _C | ns |
| t ₁₇ SR | Address/Unlatched $\overline{\text{CS}}$ to valid data in | – | 20 + 2t _A + t _C | – | 4TCL - 30 + 2t _A + t _C | ns |
| t ₁₈ SR | Data hold after $\overline{\text{RD}}$ rising edge | 0 | – | 0 | – | ns |
| t ₁₉ SR | Data float after $\overline{\text{RD}}$ | – | 16.5 + t _F | – | 2TCL - 8.5 + t _F | ns |
| t ₂₂ CC | Data valid to $\overline{\text{WR}}$ | 10 + t _C | – | 2TCL - 15 + t _C | – | ns |
| t ₂₃ CC | Data hold after $\overline{\text{WR}}$ | 4 + t _F | – | 2TCL - 8.5 + t _F | – | ns |
| t ₂₅ CC | ALE rising edge after $\overline{\text{RD}}$, $\overline{\text{WR}}$ | 15 + t _F | – | 2TCL - 10 + t _F | – | ns |
| t ₂₇ CC | Address/unlatched $\overline{\text{CS}}$ hold after $\overline{\text{RD}}$, $\overline{\text{WR}}$ | 10 + t _F | – | 2TCL - 15 + t _F | – | ns |
| t ₃₈ CC | ALE falling edge to latched $\overline{\text{CS}}$ | -4 - t _A | 10 - t _A | -4 - t _A | 10 - t _A | ns |
| t ₃₉ SR | Latched $\overline{\text{CS}}$ low to valid data in | – | 16.5 + t _C + 2t _A | – | 3TCL - 21 + t _C + 2t _A | ns |
| t ₄₀ CC | Latched $\overline{\text{CS}}$ hold after $\overline{\text{RD}}$, $\overline{\text{WR}}$ | 27 + t _F | – | 3TCL - 10.5 + t _F | – | ns |
| t ₄₂ CC | ALE fall. edge to $\overline{\text{RdCS}}$, $\overline{\text{WrCS}}$ (with RW delay) | 7 + t _A | – | TCL - 5.5 + t _A | – | ns |
| t ₄₃ CC | ALE fall. edge to $\overline{\text{RdCS}}$, $\overline{\text{WrCS}}$ (no RW delay) | -5.5 + t _A | – | -5.5 + t _A | – | ns |
| t ₄₄ CC | Address float after $\overline{\text{RdCS}}$, $\overline{\text{WrCS}}$ (with RW delay) | – | 1.5 | – | 1.5 | ns |

Table 71. Multiplexed bus timings (continued)

| Symbol | Parameter | $f_{\text{CPU}} = 40 \text{ MHz}$ TCL = 12.5ns | | Variable CPU clock 1/2 TCL = 1 to 40 MHz | | Unit |
|--------------------|--|---|-----------------------|---|-----------------------------|------|
| | | Min | Max | Min | Max | |
| t ₄₅ CC | Address float after $\overline{\text{RdCS}}$, $\overline{\text{WrCS}}$ (no RW delay) | – | 14 | – | TCL + 1.5 | ns |
| t ₄₆ SR | $\overline{\text{RdCS}}$ to Valid Data in (with RW delay) | – | 4 + t _C | – | 2TCL - 21 + t _C | ns |
| t ₄₇ SR | $\overline{\text{RdCS}}$ to Valid Data in (no RW delay) | – | 16.5 + t _C | – | 3TCL - 21 + t _C | ns |
| t ₄₈ CC | $\overline{\text{RdCS}}$, $\overline{\text{WrCS}}$ Low Time (with RW delay) | 15.5 + t _C | – | 2TCL - 9.5 + t _C | – | ns |
| t ₄₉ CC | $\overline{\text{RdCS}}$, $\overline{\text{WrCS}}$ Low Time (no RW delay) | 28 + t _C | – | 3TCL - 9.5 + t _C | – | ns |
| t ₅₀ CC | Data valid to $\overline{\text{WrCS}}$ | 10 + t _C | – | 2TCL - 15 + t _C | – | ns |
| t ₅₁ SR | Data hold after $\overline{\text{RdCS}}$ | 0 | – | 0 | – | ns |
| t ₅₂ SR | Data float after $\overline{\text{RdCS}}$ | – | 16.5 + t _F | – | 2TCL - 8.5 + t _F | ns |
| t ₅₄ CC | Address hold after $\overline{\text{RdCS}}$, $\overline{\text{WrCS}}$ | 6 + t _F | – | 2TCL - 19 + t _F | – | ns |
| t ₅₆ CC | Data hold after $\overline{\text{WrCS}}$ | 6 + t _F | – | 2TCL - 19 + t _F | – | ns |

Figure 51. External memory cycle: multiplexed bus, with/ without read/ write delay, normal ALE

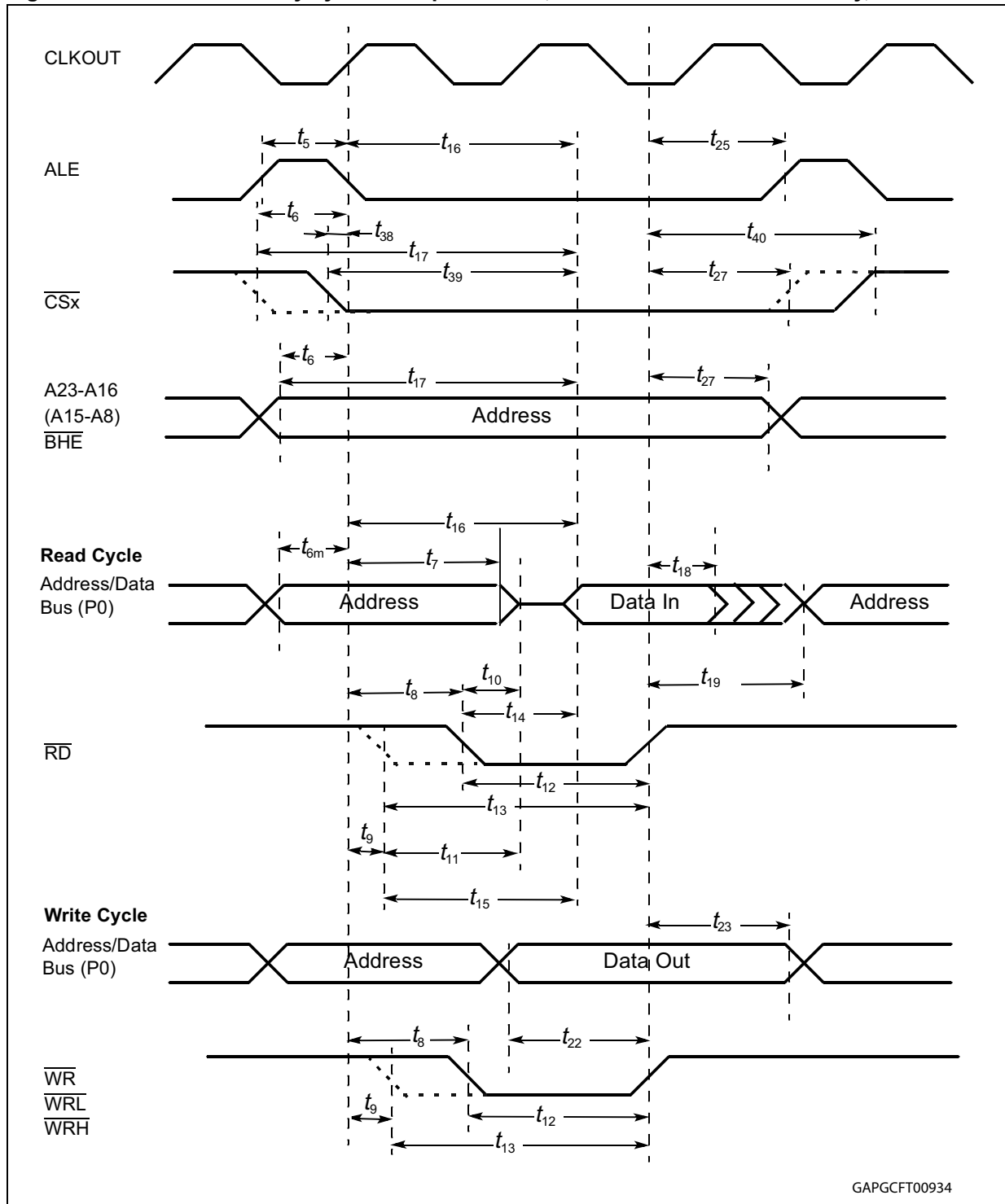
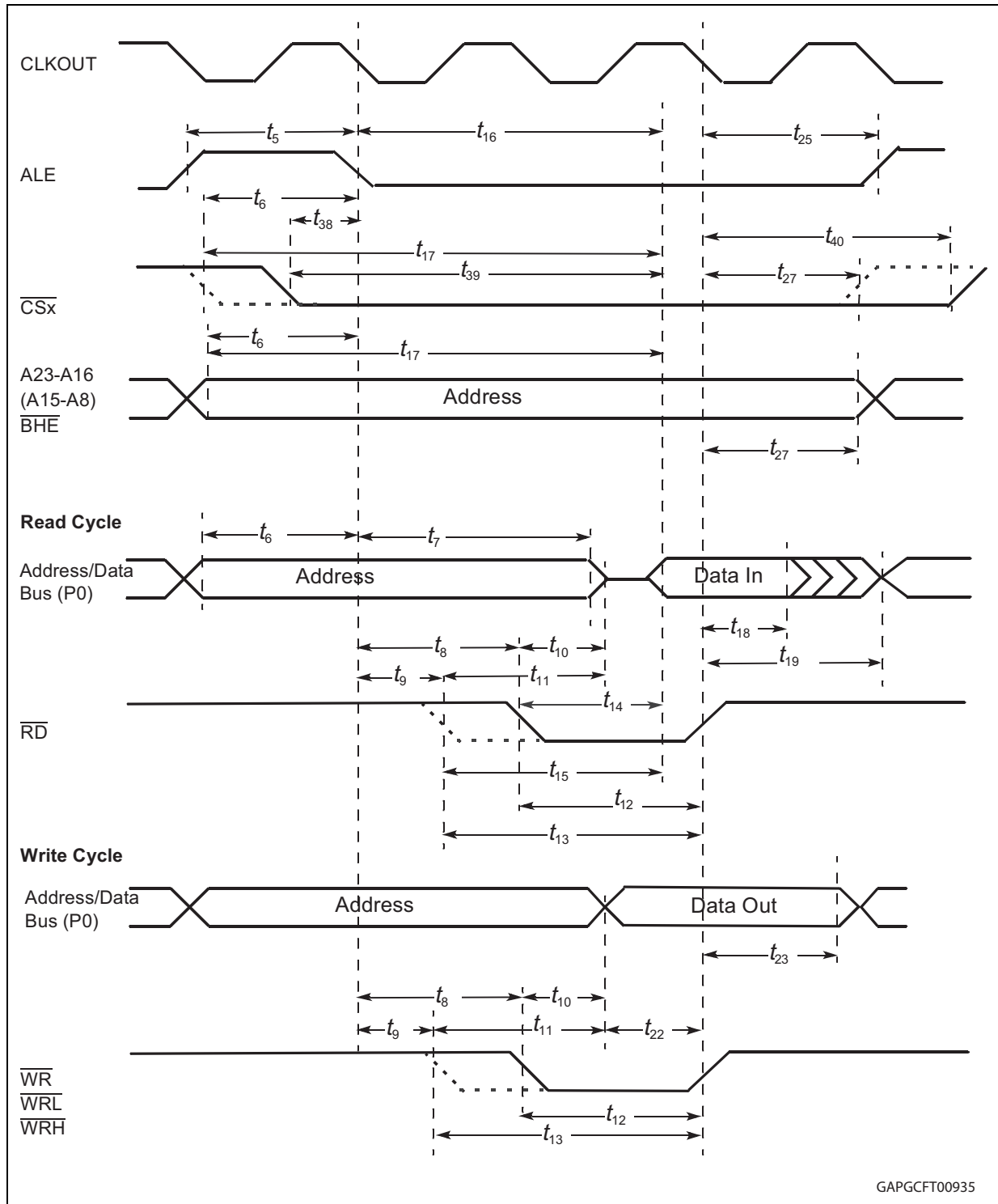


Figure 52. External memory cycle: multiplexed bus, with/ without read/ write delay, extended ALE



GAPGCF00935

Figure 53. External memory cycle: multiplexed bus, with/ without read/ write delay, normal ALE, read/ write chip select

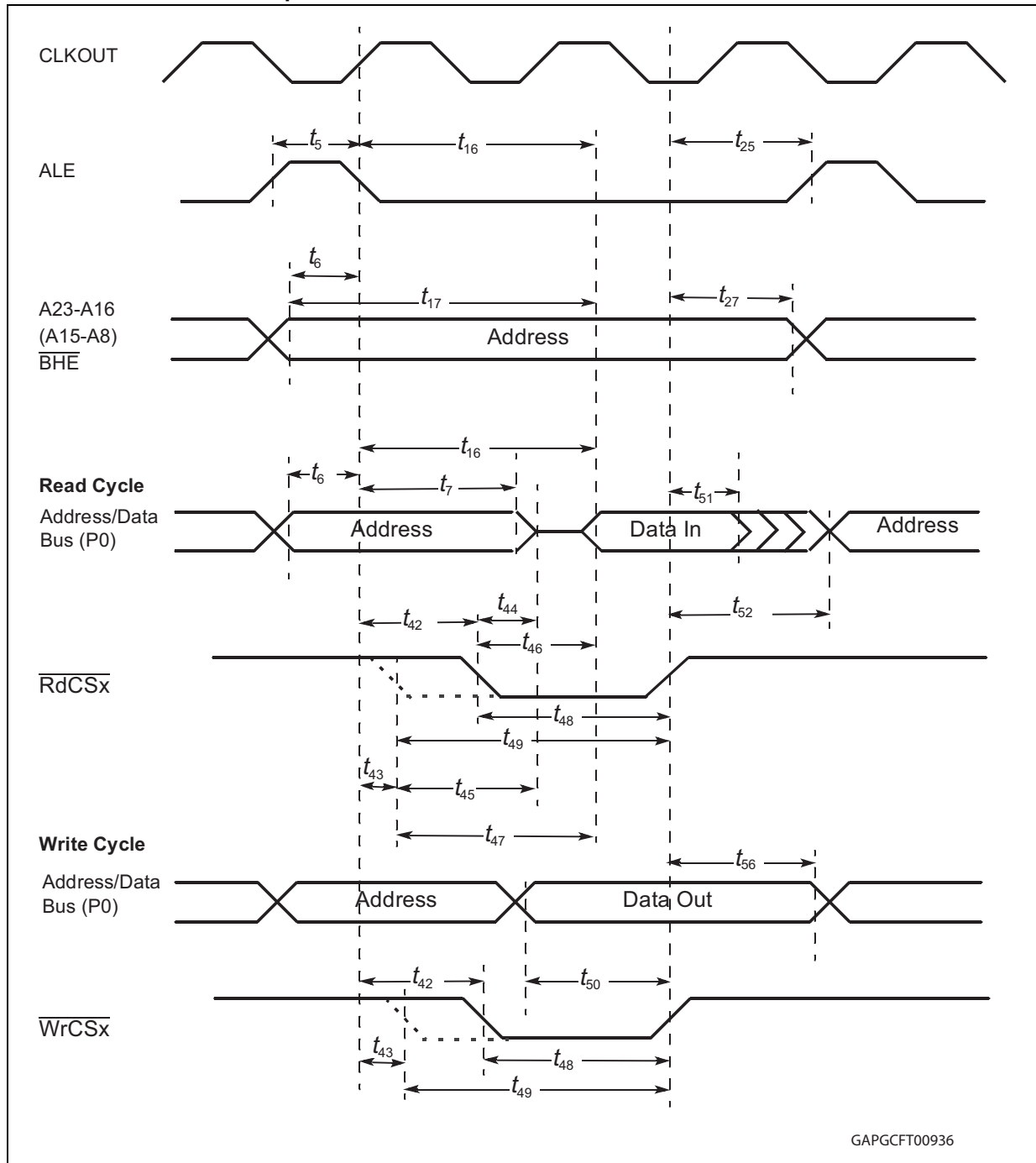
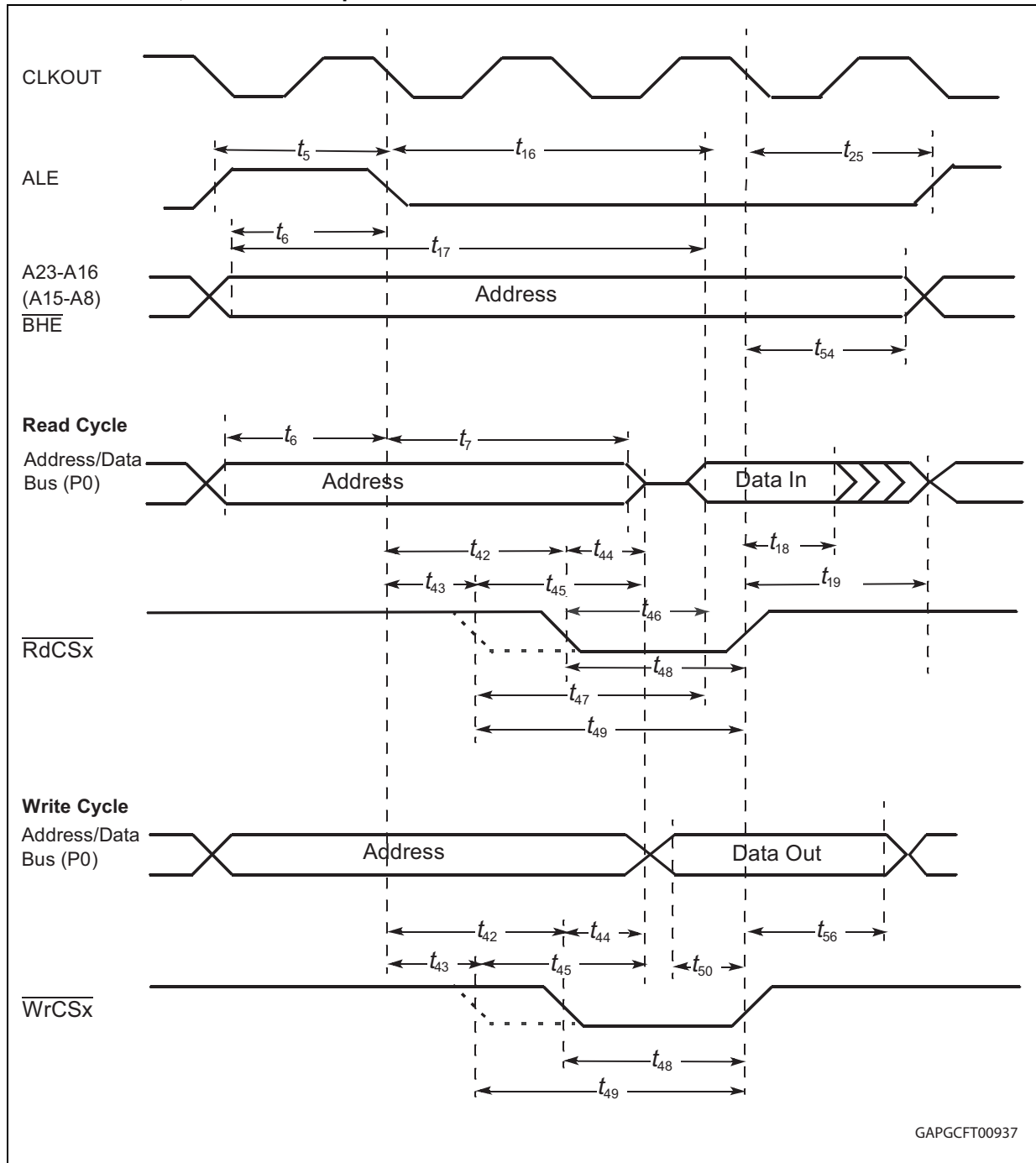


Figure 54. External memory cycle: multiplexed bus, with/ without read/ write delay, extended ALE, read/ write chip select



24.8.17 Demultiplexed bus

$V_{DD} = 5V \pm 10\%$, $V_{SS} = 0V$, $T_A = -40$ to $+125^\circ\text{C}$, $CL = 50\text{pF}$,
 ALE cycle time = $4 \text{ TCL} + 2t_A + t_C + t_F$ (50ns at 40 MHz CPU clock without wait states).

Table 72. Demultiplexed bus timings

| Symbol | Parameter | $f_{\text{CPU}} = 40 \text{ MHz}$ TCL = 12.5ns | | Variable CPU Clock 1/2 TCL = 1 to 40 MHz | | Unit |
|--------------|--|---|--------------------|---|----------------------------------|------|
| | | Min | Max | Min | Max | |
| t_5 CC | ALE high time | $4 + t_A$ | – | $\text{TCL} - 8.5 + t_A$ | – | ns |
| t_6 CC | Address setup to ALE | $1.5 + t_A$ | – | $\text{TCL} - 11 + t_A$ | – | ns |
| t_{80} CC | Address/Unlatched $\overline{\text{CS}}$ setup to $\overline{\text{RD}}$, $\overline{\text{WR}}$ (with RW-delay) | $12.5 + 2t_A$ | – | $2\text{TCL} - 12.5 + 2t_A$ | – | ns |
| t_{81} CC | Address/Unlatched $\overline{\text{CS}}$ setup to $\overline{\text{RD}}$, $\overline{\text{WR}}$ (no RW-delay) | $0.5 + 2t_A$ | – | $\text{TCL} - 12 + 2t_A$ | – | ns |
| t_{12} CC | $\overline{\text{RD}}$, $\overline{\text{WR}}$ low time (with RW-delay) | $15.5 + t_C$ | – | $2\text{TCL} - 9.5 + t_C$ | – | ns |
| t_{13} CC | $\overline{\text{RD}}$, $\overline{\text{WR}}$ low time (no RW-delay) | $28 + t_C$ | – | $3\text{TCL} - 9.5 + t_C$ | – | ns |
| t_{14} SR | $\overline{\text{RD}}$ to valid data in (with RW-delay) | – | $6 + t_C$ | – | $2\text{TCL} - 19 + t_C$ | ns |
| t_{15} SR | $\overline{\text{RD}}$ to valid data in (no RW-delay) | – | $18.5 + t_C$ | – | $3\text{TCL} - 19 + t_C$ | ns |
| t_{16} SR | ALE low to valid data in | – | $17.5 + t_A + t_C$ | – | $3\text{TCL} - 20 + t_A + t_C$ | ns |
| t_{17} SR | Address/Unlatched $\overline{\text{CS}}$ to valid data in | – | $20 + 2t_A + t_C$ | – | $4\text{TCL} - 30 + 2t_A + t_C$ | ns |
| t_{18} SR | Data hold after $\overline{\text{RD}}$ rising edge | 0 | – | 0 | – | ns |
| t_{20} SR | Data float after $\overline{\text{RD}}$ rising edge (with RW-delay) ⁽¹⁾ | – | $16.5 + t_F$ | – | $2\text{TCL} - 8.5 + t_F + 2t_A$ | ns |
| t_{21} SR | Data float after $\overline{\text{RD}}$ rising edge (no RW-delay) ⁽¹⁾ | – | $4 + t_F$ | – | $\text{TCL} - 8.5 + t_F + 2t_A$ | ns |
| t_{22} CC | Data valid to $\overline{\text{WR}}$ | $10 + t_C$ | – | $2\text{TCL} - 15 + t_C$ | – | ns |
| t_{24} CC | Data hold after $\overline{\text{WR}}$ | $4 + t_F$ | – | $\text{TCL} - 8.5 + t_F$ | – | ns |
| t_{26} CC | ALE rising edge after $\overline{\text{RD}}$, $\overline{\text{WR}}$ | $-10 + t_F$ | – | $-10 + t_F$ | – | ns |
| t_{28} CC | Address/Unlatched $\overline{\text{CS}}$ hold after $\overline{\text{RD}}$, $\overline{\text{WR}}$ ⁽²⁾ | $0 + t_F$ | – | $0 + t_F$ | – | ns |
| t_{28h} CC | Address/Unlatched $\overline{\text{CS}}$ hold after $\overline{\text{WR}}$ | $-5 + t_F$ | – | $-5 + t_F$ | – | ns |
| t_{38} CC | ALE falling edge to Latched $\overline{\text{CS}}$ | $-4 - t_A$ | $6 - t_A$ | $-4 - t_A$ | $6 - t_A$ | ns |

Table 72. Demultiplexed bus timings (continued)

| Symbol | Parameter | f _{CPU} = 40 MHz TCL = 12.5ns | | Variable CPU Clock 1/2 TCL = 1 to 40 MHz | | Unit |
|--------------------|--|---|---|---|--|------|
| | | Min | Max | Min | Max | |
| t ₃₉ SR | Latched \overline{CS} low to Valid Data in | – | 16.5 + t _C + 2t _A | – | 3TCL - 21 + t _C + 2t _A | ns |
| t ₄₁ CC | Latched \overline{CS} hold after \overline{RD} , \overline{WR} | 2 + t _F | – | TCL - 10.5 + t _F | – | ns |
| t ₈₂ CC | Address setup to \overline{RdCS} , \overline{WrCS} (with RW-delay) | 14 + 2t _A | – | 2TCL - 11 + 2t _A | – | ns |
| t ₈₃ CC | Address setup to \overline{RdCS} , \overline{WrCS} (no RW-delay) | 2 + 2t _A | – | TCL - 10.5 + 2t _A | – | ns |
| t ₄₆ SR | \overline{RdCS} to Valid Data in (with RW-delay) | – | 4 + t _C | – | 2TCL - 21 + t _C | ns |
| t ₄₇ SR | \overline{RdCS} to Valid Data in (no RW-delay) | – | 16.5 + t _C | – | 3TCL - 21 + t _C | ns |
| t ₄₈ CC | \overline{RdCS} , \overline{WrCS} Low Time (with RW-delay) | 15.5 + t _C | – | 2TCL - 9.5 + t _C | – | ns |
| t ₄₉ CC | \overline{RdCS} , \overline{WrCS} Low Time (no RW-delay) | 28 + t _C | – | 3TCL - 9.5 + t _C | – | ns |
| t ₅₀ CC | Data valid to \overline{WrCS} | 10 + t _C | – | 2TCL - 15 + t _C | – | ns |
| t ₅₁ SR | Data hold after \overline{RdCS} | 0 | – | 0 | – | ns |
| t ₅₃ SR | Data float after \overline{RdCS} (with RW-delay) | – | 16.5 + t _F | – | 2TCL - 8.5 + t _F | ns |
| t ₆₈ SR | Data float after \overline{RdCS} (no RW-delay) | – | 4 + t _F | – | TCL - 8.5 + t _F | ns |
| t ₅₅ CC | Address hold after \overline{RdCS} , \overline{WrCS} | -8.5 + t _F | – | -8.5 + t _F | – | ns |
| t ₅₇ CC | Data hold after \overline{WrCS} | 2 + t _F | – | TCL - 10.5 + t _F | – | ns |

1. RW-delay and t_A refer to the next following bus cycle
2. Read data are latched with the same clock edge that triggers the address change and the rising \overline{RD} edge. Therefore address changes before the end of RD have no impact on read cycles.

Figure 55. External memory cycle: demultiplexed bus, with/ without read/ write delay, normal ALE

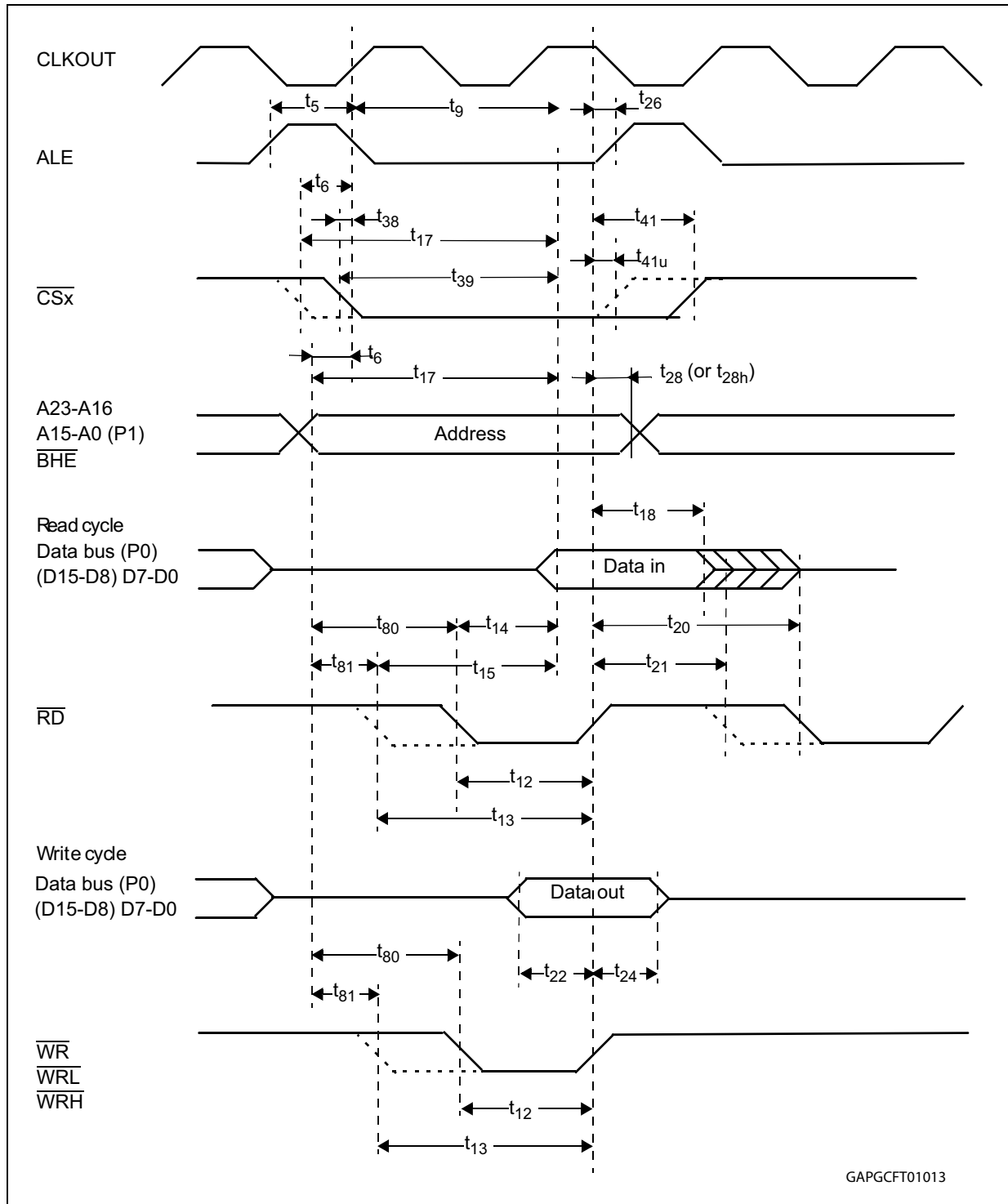


Figure 56. External memory cycle: demultiplexed bus, with/ without read/ write delay, extended ALE

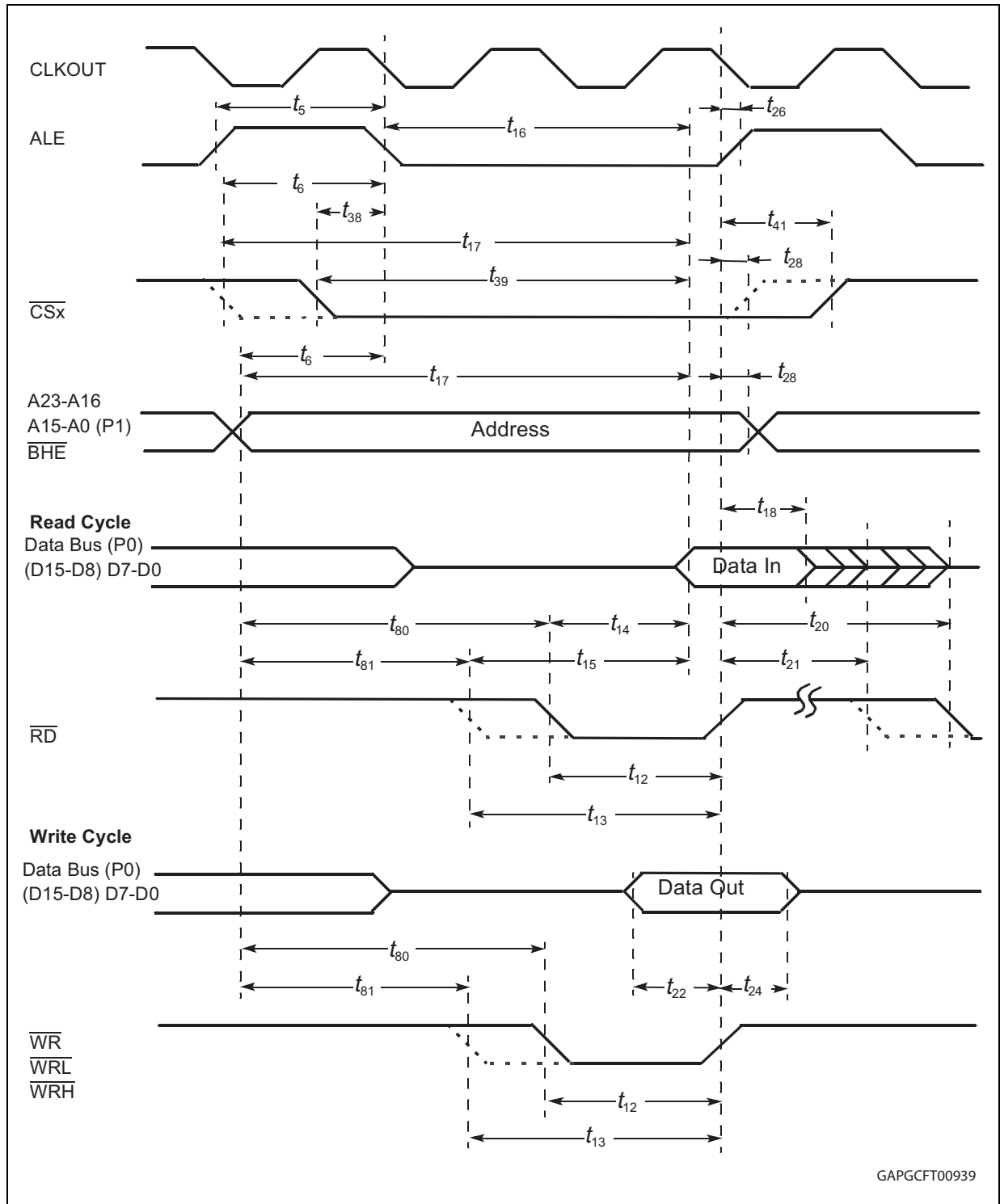


Figure 57. External memory cycle: demultiplexed bus, with/ without read/ write delay, normal ALE, read/ write chip select

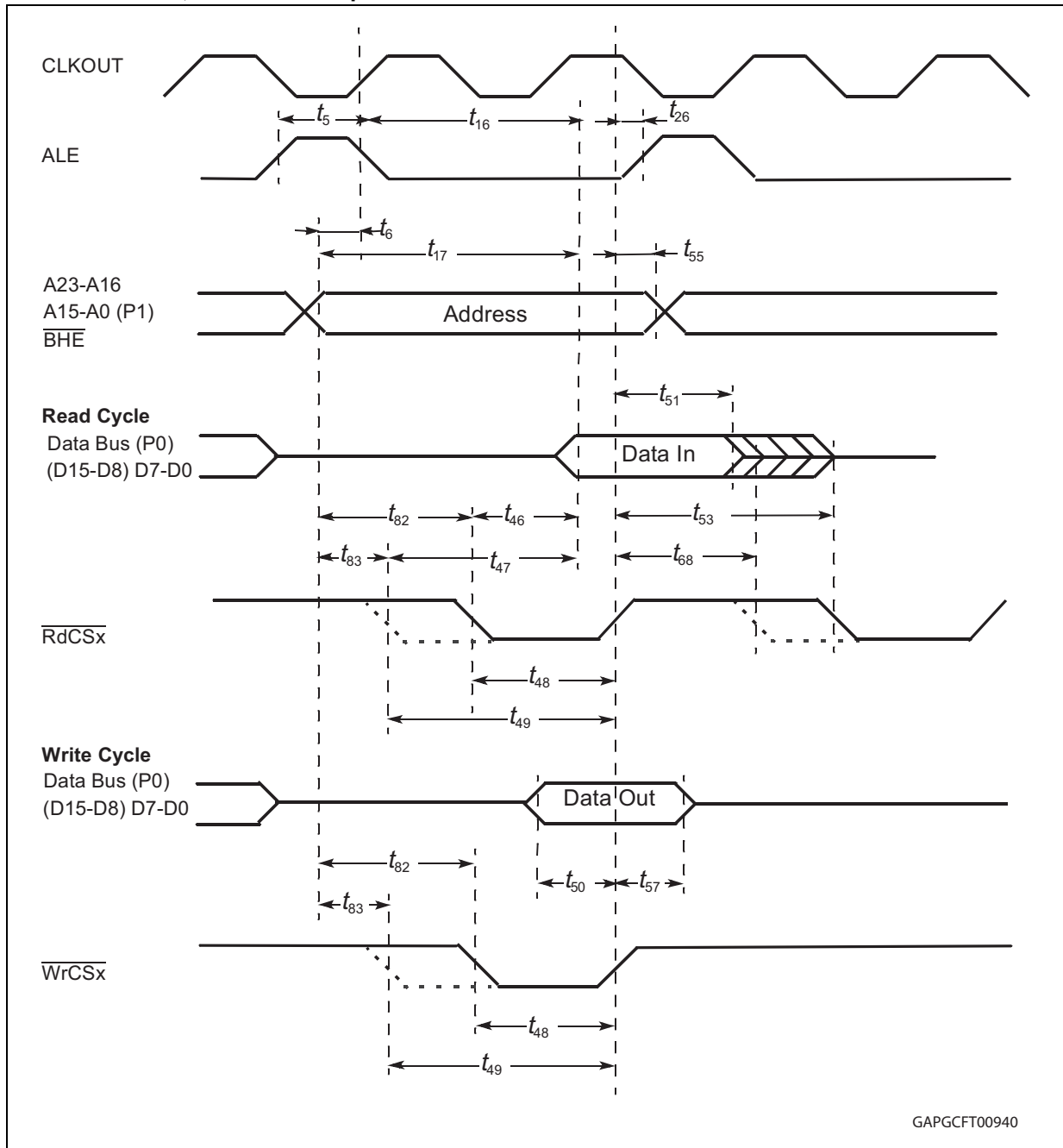
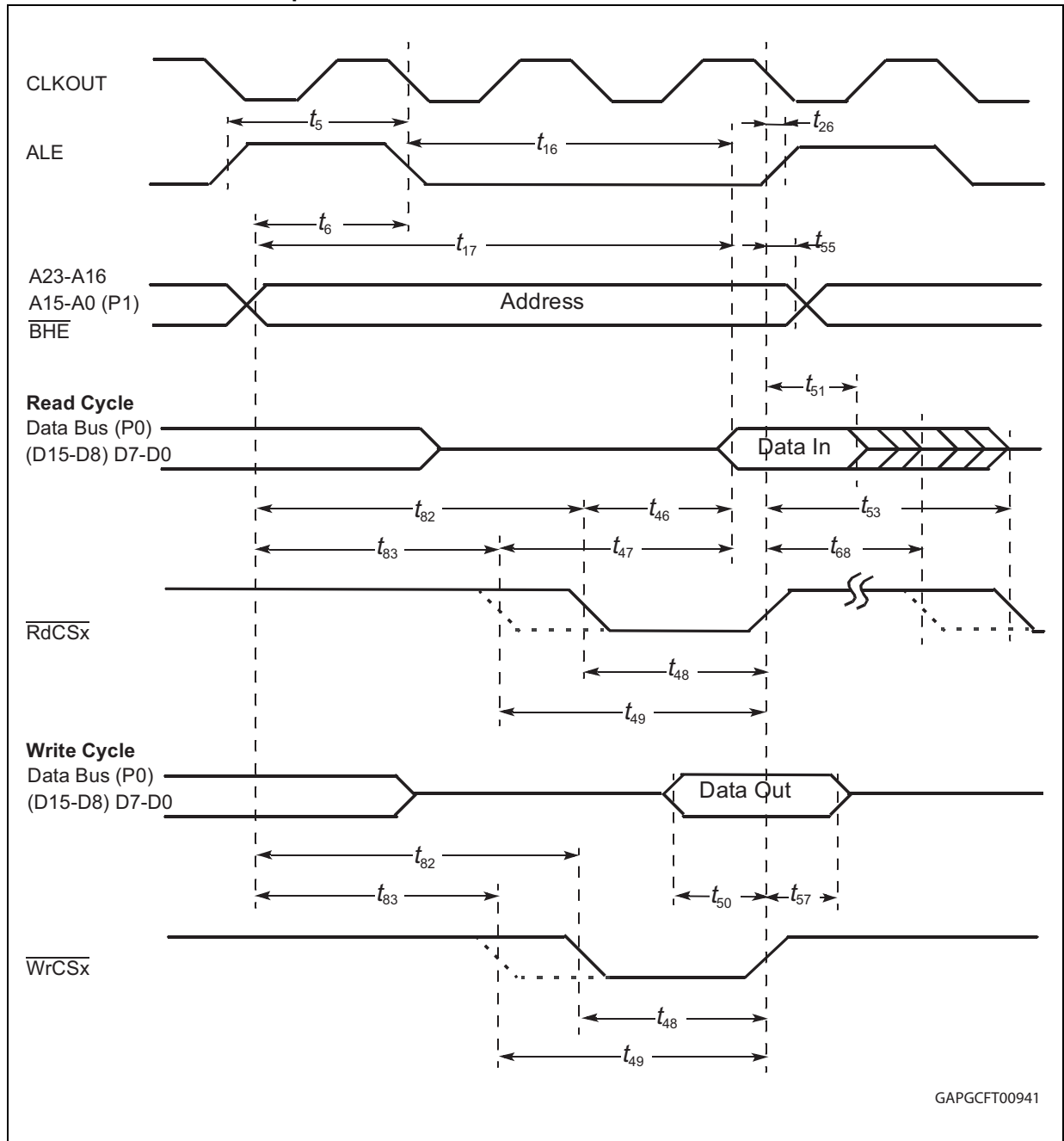


Figure 58. External memory cycle: demultiplexed bus, without read/ write delay, extended ALE, read/ write chip select



24.8.18 CLKOUT and $\overline{\text{READY}}$

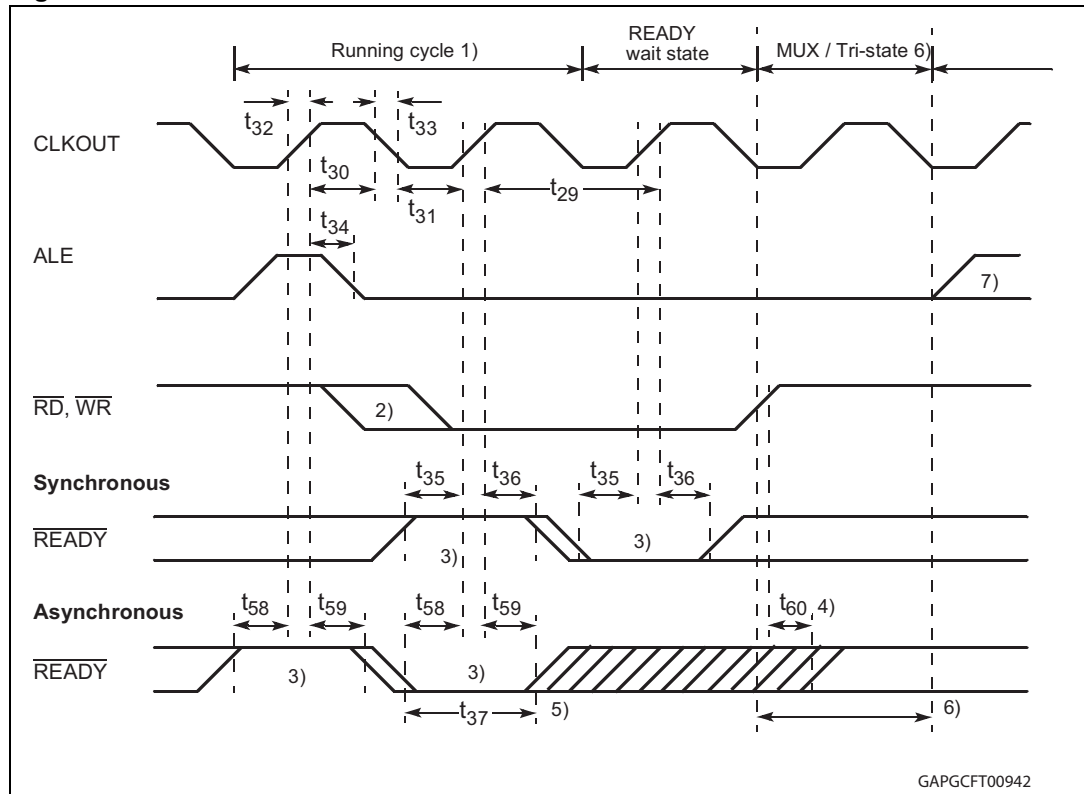
$V_{DD} = 5V \pm 10\%$, $V_{SS} = 0V$, $T_A = -40$ to $+125^\circ\text{C}$, $CL = 50\text{pF}$

Table 73. CLKOUT and $\overline{\text{READY}}$ timings

| Symbol | Parameter | $f_{\text{CPU}} = 40 \text{ MHz}$ $\text{TCL} = 12.5\text{ns}$ | | Variable CPU clock $1/2 \text{ TCL} = 1 \text{ to } 40 \text{ MHz}$ | | Unit |
|-------------|---|---|--------------------|--|--------------------|------|
| | | Min | Max | Min | Max | |
| t_{29} CC | CLKOUT cycle time | 25 | 25 | 2TCL | 2TCL | ns |
| t_{30} CC | CLKOUT high time | 9 | – | TCL – 3.5 | – | |
| t_{31} CC | CLKOUT low time | 10 | – | TCL – 2.5 | – | |
| t_{32} CC | CLKOUT rise time | – | 4 | – | 4 | |
| t_{33} CC | CLKOUT fall time | – | 4 | – | 4 | |
| t_{34} CC | CLKOUT rising edge to ALE falling edge | $-2 + t_A$ | $8 + t_A$ | $-2 + t_A$ | $8 + t_A$ | |
| t_{35} SR | Synchronous $\overline{\text{READY}}$ setup time to CLKOUT | 17 | – | 17 | – | |
| t_{36} SR | Synchronous $\overline{\text{READY}}$ hold time after CLKOUT | 2 | – | 2 | – | |
| t_{37} SR | Asynchronous $\overline{\text{READY}}$ low time | 35 | – | 2TCL + 10 | – | |
| t_{58} SR | Asynchronous $\overline{\text{READY}}$ setup time ⁽¹⁾ | 17 | – | 17 | – | |
| t_{59} SR | Asynchronous $\overline{\text{READY}}$ hold time ⁽¹⁾ | 2 | – | 2 | – | |
| t_{60} SR | Async. $\overline{\text{READY}}$ hold time after RD, WR high (Demultiplexed bus) ⁽²⁾ | 0 | $2t_A + t_C + t_F$ | 0 | $2t_A + t_C + t_F$ | |

1. These timings are given for characterization purposes only, in order to assure recognition at a specific clock edge.
2. Demultiplexed bus is the worst case. For multiplexed bus 2TCL are to be added to the maximum values. This adds even more time for deactivating $\overline{\text{READY}}$. $2t_A$ and t_C refer to the next following bus cycle, t_F refers to the current bus cycle.

Figure 59. CLKOUT and $\overline{\text{READY}}$



1. Cycle as programmed, including MCTC wait states (Example shows 0 MCTC WS).
2. The leading edge of the respective command depends on RW-delay.
3. $\overline{\text{READY}}$ sampled HIGH at this sampling point generates a $\overline{\text{READY}}$ controlled wait state, $\overline{\text{READY}}$ sampled LOW at this sampling point terminates the currently running bus cycle.
4. $\overline{\text{READY}}$ may be deactivated in response to the trailing (rising) edge of the corresponding command ($\overline{\text{RD}}$ or $\overline{\text{WR}}$).
5. If the Asynchronous $\overline{\text{READY}}$ signal does not fulfill the indicated setup and hold times with respect to CLKOUT (for example, because CLKOUT is not enabled), it must fulfill t_{37} in order to be safely synchronized. This is guaranteed, if $\overline{\text{READY}}$ is removed in response to the command (see Note 4).
6. Multiplexed bus modes have a MUX wait state added after a bus cycle, and an additional MTTC wait state may be inserted here.
For a multiplexed bus with MTTC wait state this delay is two CLKOUT cycles, for a demultiplexed bus without MTTC wait state this delay is zero.
7. The next external bus cycle may start here.

24.8.19 External bus arbitration

$V_{DD} = 5V \pm 10\%$, $V_{SS} = 0V$, $T_A = -40$ to $+125^\circ\text{C}$, $C_L = 50\text{pF}$

Table 74. External bus arbitration timings

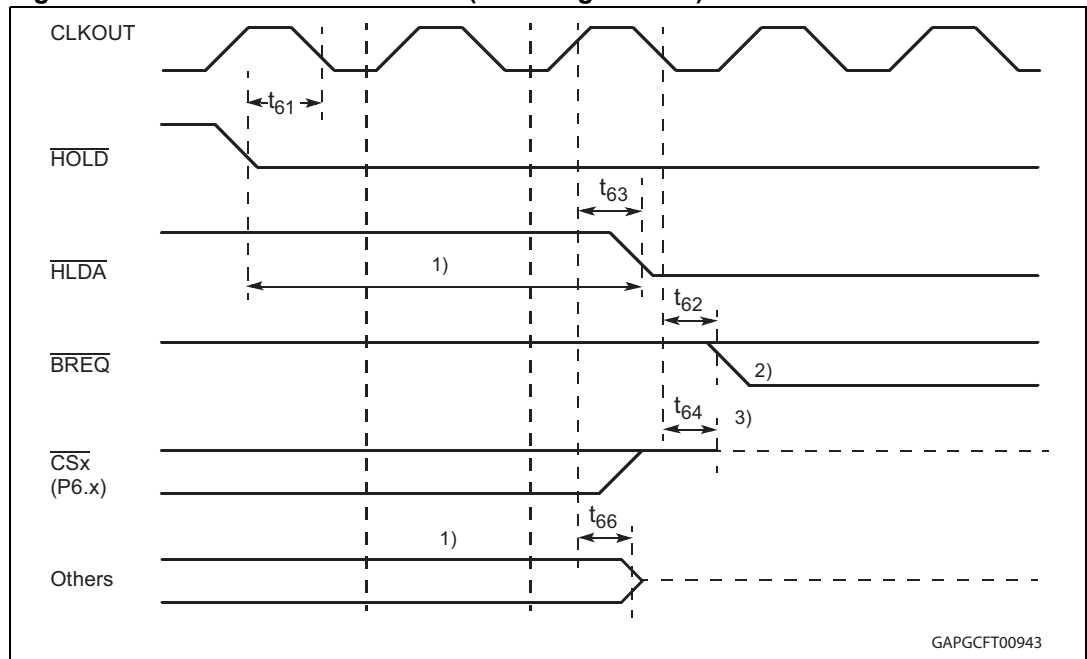
| Symbol | Parameter | $f_{\text{CPU}} = 40 \text{ MHz}$ $\text{TCL} = 12.5\text{ns}$ | | Variable CPU clock 1/2 TCL = 1 to 40 MHz | | Unit |
|-------------|--|---|------|---|------|------|
| | | Min | Max | Min | Max | |
| t_{61} SR | HOLD input setup time to CLKOUT | 18.5 | – | 18.5 | – | ns |
| t_{62} CC | CLKOUT to HLDA high or BREQ low delay | – | 12.5 | – | 12.5 | ns |

Table 74. External bus arbitration timings (continued)

| Symbol | Parameter | $f_{CPU} = 40\text{ MHz}$ $TCL = 12.5\text{ ns}$ | | Variable CPU clock $1/2\text{ TCL} = 1\text{ to }40\text{ MHz}$ | | Unit |
|-------------|---|---|------|--|------|------|
| | | Min | Max | Min | Max | |
| t_{63} CC | CLKOUT to \overline{HLDA} low or \overline{BREQ} high delay | - | 12.5 | - | 12.5 | ns |
| t_{64} CC | \overline{CSx} release ⁽¹⁾ | - | 20 | - | 20 | ns |
| t_{65} CC | \overline{CSx} drive | -4 | 15 | -4 | 15 | ns |
| t_{66} CC | Other signals release ⁽¹⁾ | - | 20 | - | 20 | ns |
| t_{67} CC | Other signals drive | -4 | 15 | -4 | 15 | ns |

1. Partially tested, guaranteed by design characterization

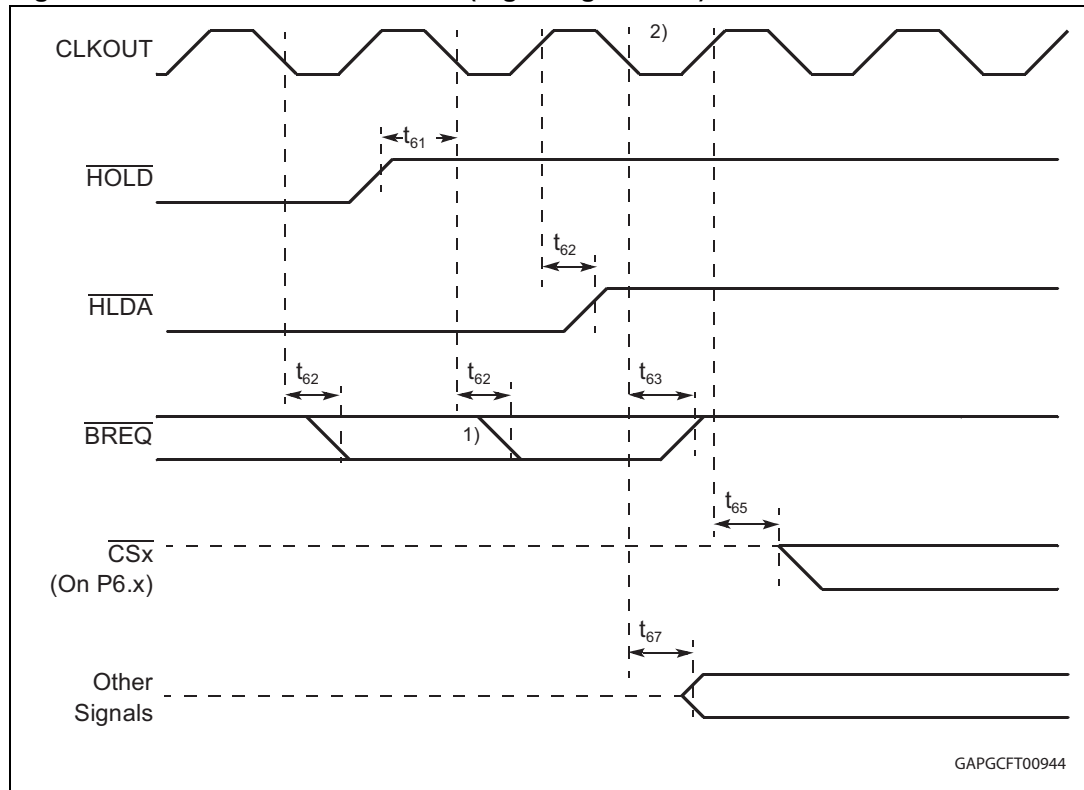
Figure 60. External bus arbitration (releasing the bus)



GAPGCF00943

1. The ST10F273M will complete the currently running bus cycle before granting bus access.
2. This is the first possibility for \overline{BREQ} to become active.
3. The \overline{CS} outputs will be resistive high (pull-up) after t_{64} .

Figure 61. External bus arbitration (regaining the bus)



1. This is the last chance for \overline{BREQ} to trigger the indicated regain-sequence. Even if \overline{BREQ} is activated earlier, the regain-sequence is initiated by HOLD going high. Please note that HOLD may also be deactivated without the ST10F273M requesting the bus.
2. The next ST10F273M driven bus cycle may start here.

24.8.20 High-speed synchronous serial interface (SSC) timing

Master mode

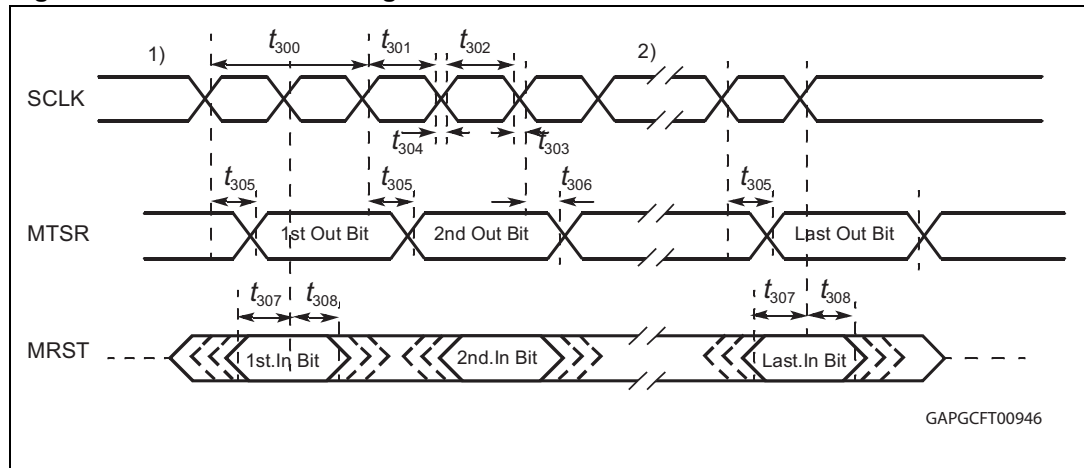
$V_{DD} = 5V \pm 10\%$, $V_{SS} = 0V$, $T_A = -40$ to $+125^\circ C$, $C_L = 50pF$

Table 75. SSC master mode timings

| Symbol | Parameter | Max. baudrate 6.6Mbaud ⁽¹⁾ @ $f_{CPU} = 40$ MHz ($\langle SSCBR \rangle = 0002h$) | | Variable baudrate ($\langle SSCBR \rangle = 0001h - FFFFh$) | | Unit | |
|------------|-----------|--|------|--|--------------------|------------|----|
| | | Min | Max | Min | Max | | |
| t_{300} | CC | SSC clock cycle time ⁽²⁾ | 150 | 150 | 8TCL | 262144 TCL | ns |
| t_{301} | CC | SSC clock high time | 63 | – | $t_{300} / 2 - 12$ | – | |
| t_{302} | CC | SSC clock low time | 63 | – | $t_{300} / 2 - 12$ | – | |
| t_{303} | CC | SSC clock rise time | – | 10 | – | 10 | |
| t_{304} | CC | SSC clock fall time | – | 10 | – | 10 | |
| t_{305} | CC | Write data valid after shift edge | – | 15 | – | 15 | |
| t_{306} | CC | Write data hold after shift edge ⁽³⁾ | -2 | – | -2 | – | |
| t_{307p} | SR | Read data setup time before latch edge, phase error detection on (SSCPEN = 1) | 37.5 | – | $2TCL + 12.5$ | – | |
| t_{308p} | SR | Read data hold time after latch edge, phase error detection on (SSCPEN = 1) | 50 | – | 4TCL | – | |
| t_{307} | SR | Read data setup time before latch edge, phase error detection off (SSCPEN = 0) | 25 | – | 2TCL | – | |
| t_{308} | SR | Read data hold time after latch edge, phase error detection off (SSCPEN = 0) | 0 | – | 0 | – | |

- When 40 MHz CPU clock is used the maximum baudrate cannot be higher than 6.6Mbaud ($\langle SSCBR \rangle = '2h'$) due to the limited granularity of $\langle SSCBR \rangle$. Value '1h' for $\langle SSCBR \rangle$ can be used only with CPU clock equal to (or lower than) 32 MHz.
- Formula for SSC Clock Cycle time: $t_{300} = 4 \text{ TCL} \times (\langle SSCBR \rangle + 1)$ Where $\langle SSCBR \rangle$ represents the content of the SSC Baudrate register, taken as unsigned 16-bit integer. Minimum limit allowed for t_{300} is 125ns (corresponding to 6.6Mbaud)
- Partially tested, guaranteed by design characterization

Figure 62. SSC master timing



1. The phase and polarity of shift and latch edge of SCLK is programmable. This figure uses the leading clock edge as shift edge (drawn in bold), with latch on trailing edge (SSCPH = 0b), Idle clock line is low, leading clock edge is low-to-high transition (SSCPO = 0b).
2. The bit timing is repeated for all bits to be transmitted or received.

Slave mode

V_{DD} = 5V ±10%, V_{SS} = 0V, T_A = -40 to +125°C, C_L = 50pF

Table 76. SSC slave mode timings

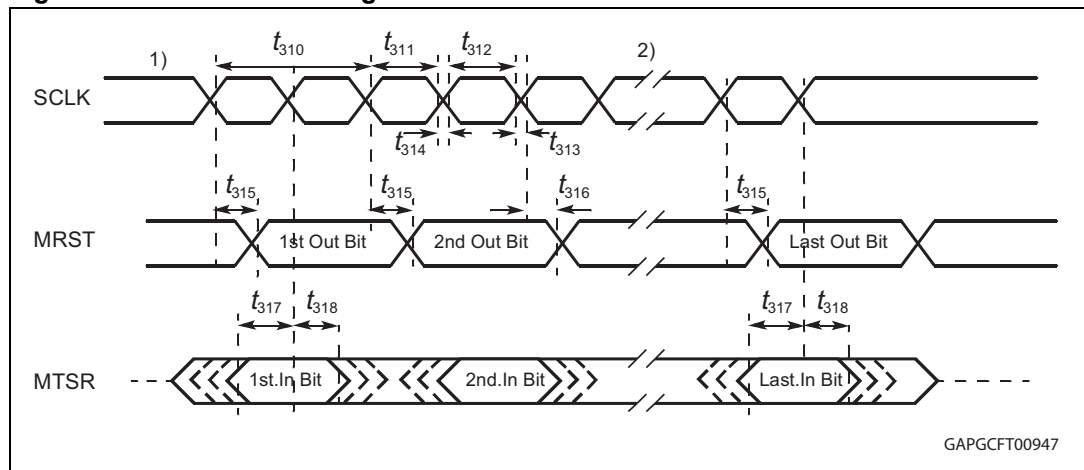
| Symbol | Parameter | Max. baudrate 6.6 Mbaud ⁽¹⁾ @ f _{CPU} = 40 MHz (<SSCBR> = 0002h) | | Variable baudrate (<SSCBR> = 0001h - FFFFh) | | Unit |
|-------------------|--|--|-----|--|------------|------|
| | | Min | Max | Min | Max | |
| t ₃₁₀ | SR SSC clock cycle time ⁽²⁾ | 150 | 150 | 8TCL | 262144 TCL | ns |
| t ₃₁₁ | SR SSC clock high time | 63 | – | t ₃₁₀ / 2 – 12 | – | ns |
| t ₃₁₂ | SR SSC clock low time | 63 | – | t ₃₁₀ / 2 – 12 | – | ns |
| t ₃₁₃ | SR SSC clock rise time | – | 10 | – | 10 | ns |
| t ₃₁₄ | SR SSC clock fall time | – | 10 | – | 10 | ns |
| t ₃₁₅ | CC Write data valid after shift edge | – | 55 | – | 2TCL + 30 | ns |
| t ₃₁₆ | CC Write data hold after shift edge | 0 | – | 0 | – | ns |
| t _{317p} | SR Read data setup time before latch edge, phase error detection on (SSCPEN = 1) | 62 | – | 4TCL + 12 | – | ns |
| t _{318p} | SR Read data hold time after latch edge, phase error detection on (SSCPEN = 1) | 87 | – | 6TCL + 12 | – | ns |

Table 76. SSC slave mode timings (continued)

| Symbol | Parameter | Max. baudrate 6.6 Mbaud ⁽¹⁾ @ f _{CPU} = 40 MHz (<SSCBR> = 0002h) | | Variable baudrate (<SSCBR> = 0001h - FFFFh) | | Unit |
|------------------|--|--|-----|--|-----|------|
| | | Min | Max | Min | Max | |
| t ₃₁₇ | SR Read data setup time before latch edge, phase error detection off (SSCPEN = 0) | 6 | – | 6 | – | ns |
| t ₃₁₈ | SR Read data hold time after latch edge, phase error detection off (SSCPEN = 0) | 31 | – | 2TCL + 6 | – | ns |

- When 40 MHz CPU clock is used the maximum baudrate cannot be higher than 6.6Mbaud (<SSCBR> = '2h') due to the limited granularity of <SSCBR>. Value '1h' for <SSCBR> may be used only with CPU clock lower than 32 MHz (after checking that resulting timings are suitable for the master).
- Formula for SSC Clock Cycle time: t₃₁₀ = 4 TCL * (<SSCBR> + 1)
Where <SSCBR> represents the content of the SSC Baudrate register, taken as unsigned 16-bit integer.
Minimum limit allowed for t₃₁₀ is 150ns (corresponding to 6.6Mbaud).

Figure 63. SSC slave timing



- The phase and polarity of shift and latch edge of SCLK is programmable. This figure uses the leading clock edge as shift edge (drawn in bold), with latch on trailing edge (SSCPH = 0b). Idle clock line is low, leading clock edge is low-to-high transition (SSCPO = 0b).
- The bit timing is repeated for all bits to be transmitted or received.

25 Package information

25.1 ECOPACK®

In order to meet environmental requirements, ST offers these devices in different grades of ECOPACK® packages, depending on their level of environmental compliance. ECOPACK® specifications, grade definitions and product status are available at: www.st.com.

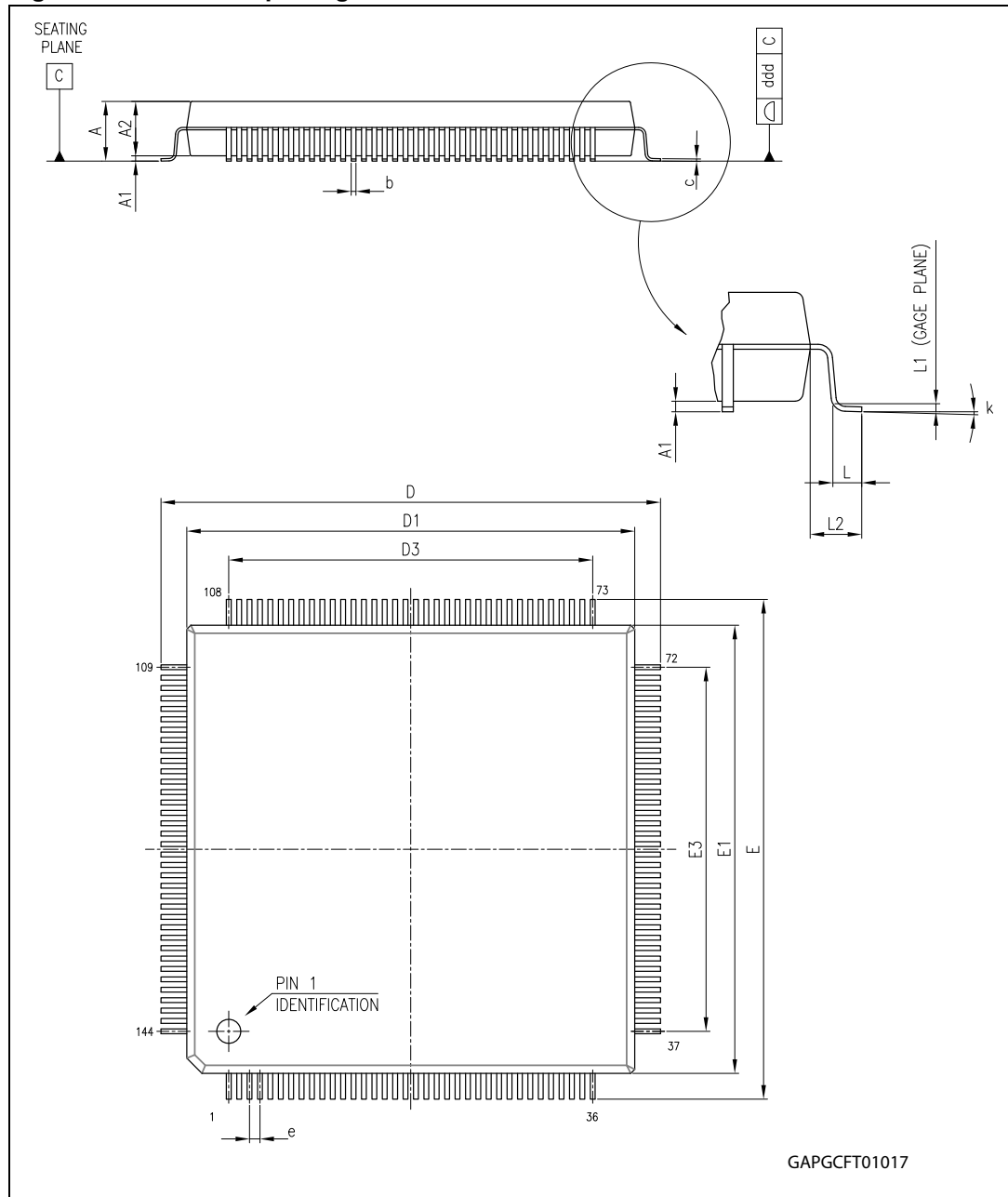
ECOPACK® is an ST trademark.

25.2 PQFP144 mechanical data

Table 77. PQFP144 mechanical data

| Dim | mm | | |
|-----|-------|-------|-------|
| | Min. | Typ. | Max. |
| A | | | 4.10 |
| A1 | 0.25 | | 0.50 |
| A2 | 3.20 | 3.40 | 3.60 |
| b | 0.29 | | 0.45 |
| c | 0.11 | | 0.23 |
| D | 30.95 | 31.20 | 31.45 |
| D1 | 27.80 | 28.00 | 28.20 |
| D3 | | 22.75 | |
| E | 30.95 | 31.20 | 31.45 |
| E1 | 27.80 | 28.00 | 28.20 |
| E3 | | 22.75 | |
| e | | 0.65 | |
| L | 0.73 | 0.88 | 1.03 |
| L1 | | 0.25 | |
| L2 | | 1.60 | |
| k | 0° | | 7° |
| ddd | | | 0.10 |

Figure 64. PQFP144 package dimensions

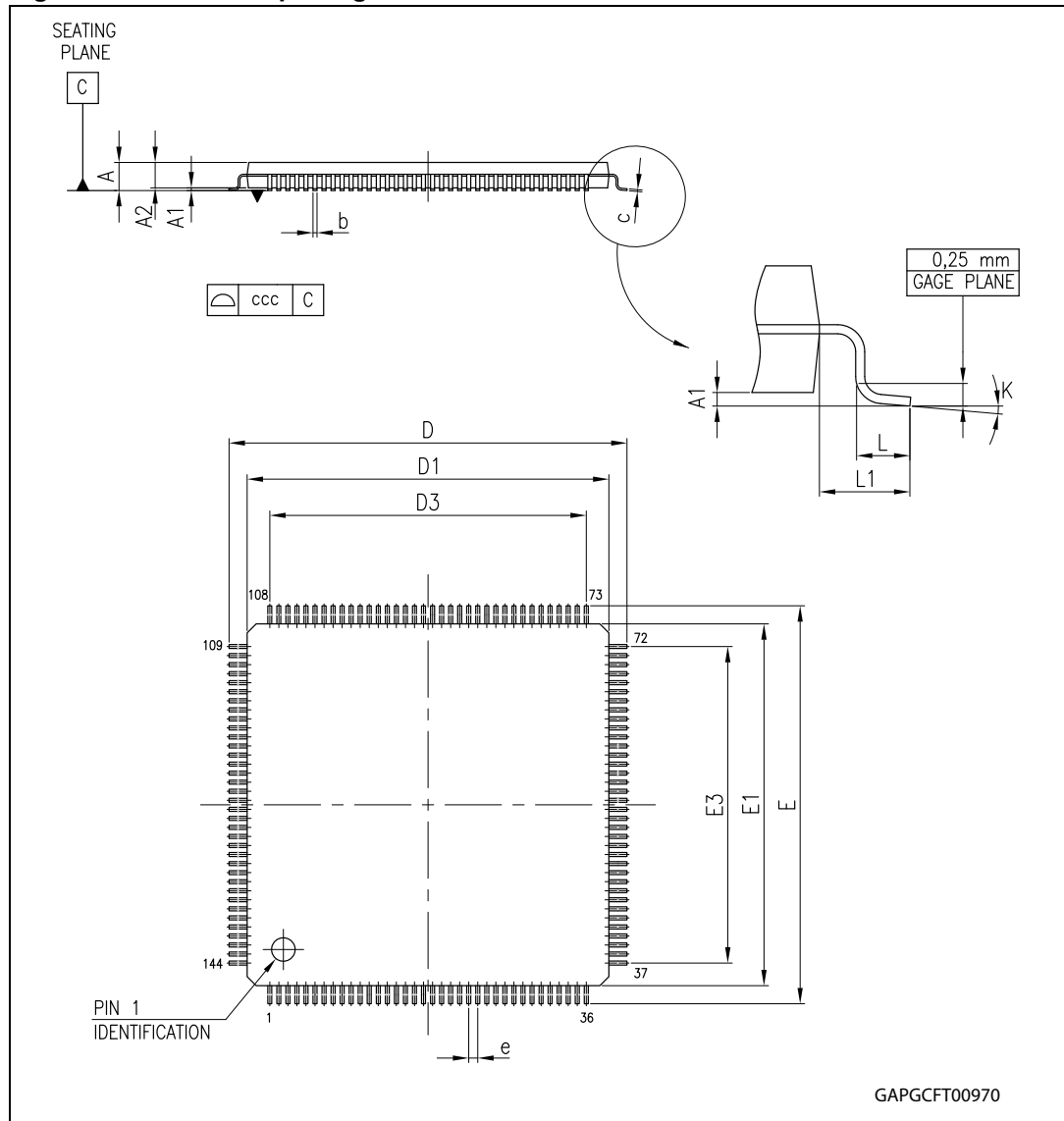


25.3 LQFP144 mechanical data

Table 78. LQFP144 mechanical data

| Dim | mm | | |
|-----|-------|-------|-------|
| | Min. | Typ. | Max. |
| A | | | 1.60 |
| A1 | 0.05 | | 0.15 |
| A2 | 1.35 | 1.40 | 1.45 |
| b | 0.17 | 0.22 | 0.27 |
| c | 0.09 | | 0.20 |
| D | 21.80 | 22.00 | 22.20 |
| D1 | 19.80 | 20.00 | 20.20 |
| D3 | | 17.50 | |
| E | 21.80 | 22.00 | 22.20 |
| E1 | 19.80 | 20.00 | 20.20 |
| E3 | | 17.50 | |
| e | | 0.50 | |
| L | 0.45 | 0.60 | 0.75 |
| L1 | | 1.00 | |
| k | 0 | 3.5 | 7 |
| ccc | | | 0.8 |

Figure 65. LQFP144 package dimensions



26 Ordering information

Table 79. Order codes

| Order code | Package | Packing | Temperature range | CPU frequency range |
|-----------------|---------|---------------|-------------------|---------------------|
| ST10F273MR-4Q3 | PQFP144 | Tray | -40 to +125°C | 1 to 40 MHz |
| ST10F273MR-4QR3 | | Tape and reel | | |
| ST10F273MR-4T3 | LQFP144 | Tray | | |
| ST10F273MR-4TX3 | | Tape and reel | | |

27 Revision history

Table 80. Document revision history

| Date | Revision | Changes |
|-------------|----------|---|
| 03-May-2007 | 1 | Initial release |
| 02-Jul-2007 | 2 | <p>Changed document status from Preliminary Data to Datasheet</p> <p>Section 4: Memory organization on page 21:</p> <ul style="list-style-type: none"> - changed size of B0TF from 8 to 4Kbytes - removed 'Flash Temporary Unprotection' from X-Miscellaneous features <p>Table 2: Summary of IFlash address range on page 21: Changed size of B0TF from 8 to 4Kbytes</p> <p>Figure 6: Flash structure on page 27: Changed Test-Flash size from 8 to 4Kbytes</p> <p>Table 5: Flash module sectorization (write operations, or ROMS1 = '1') on page 29: Changed B0TF address and size (8 to 4Kbytes)</p> <p>Section 14: A/D converter on page 72: Replaced '40.630 CPU clock cycles' with '40630 CPU clock cycles' in end of section</p> <p>Section 21.1: Idle mode on page 109: Made minor text changes</p> <p>Section 21.2: Power-down mode on page 109: Made minor text changes</p> <p>Table 57: DC characteristics on page 134:</p> <ul style="list-style-type: none"> - changed max value and unit for I_{PD1} from 1mA to 150μA - changed max value and unit for I_{PD3} from 1.1mA to 200μA - changed test conditions and max values for I_{SB2} - changed footnote link for symbol I_{P0H} - changed footnote link for symbol I_{P0L} <p>Table 58: Flash characteristics on page 138:</p> <ul style="list-style-type: none"> - modified Bank 0 program parameter and values - removed Bank 1 program parameter and values - modified Bank 0 erase parameter and values - removed Bank 1 erase parameter and values <p>Section 24.7.4: Analog reference pins on page 143: Minor text editing changes</p> <p>Table 62: On-chip clock generator selections on page 151:</p> <ul style="list-style-type: none"> - changed external clock input range for $f_{XTAL \times 5}$ - changed external clock input range for $f_{XTAL \times 1}$ - replaced 'CPU clock range of 1...60 MHz' with 'CPU clock range of 1...40 MHz' in footnote 1 <p>Added Section 25.1: ECOPACK® on page 180 and updated content</p> <p>Added Section 26.2: Mechanical data and package dimensions on page 174</p> |
| 20-Aug-2012 | 3 | <p>Updated Table 17: FARH register description</p> <p>Updated Chapter 25: Package information</p> <p>Updated Table 79: Order codes</p> |
| 17-Sep-2013 | 4 | Updated Disclaimer |

Please Read Carefully:

Information in this document is provided solely in connection with ST products. STMicroelectronics NV and its subsidiaries ("ST") reserve the right to make changes, corrections, modifications or improvements, to this document, and the products and services described herein at any time, without notice.

All ST products are sold pursuant to ST's terms and conditions of sale.

Purchasers are solely responsible for the choice, selection and use of the ST products and services described herein, and ST assumes no liability whatsoever relating to the choice, selection or use of the ST products and services described herein.

No license, express or implied, by estoppel or otherwise, to any intellectual property rights is granted under this document. If any part of this document refers to any third party products or services it shall not be deemed a license grant by ST for the use of such third party products or services, or any intellectual property contained therein or considered as a warranty covering the use in any manner whatsoever of such third party products or services or any intellectual property contained therein.

UNLESS OTHERWISE SET FORTH IN ST'S TERMS AND CONDITIONS OF SALE ST DISCLAIMS ANY EXPRESS OR IMPLIED WARRANTY WITH RESPECT TO THE USE AND/OR SALE OF ST PRODUCTS INCLUDING WITHOUT LIMITATION IMPLIED WARRANTIES OF MERCHANTABILITY, FITNESS FOR A PARTICULAR PURPOSE (AND THEIR EQUIVALENTS UNDER THE LAWS OF ANY JURISDICTION), OR INFRINGEMENT OF ANY PATENT, COPYRIGHT OR OTHER INTELLECTUAL PROPERTY RIGHT.

ST PRODUCTS ARE NOT DESIGNED OR AUTHORIZED FOR USE IN: (A) SAFETY CRITICAL APPLICATIONS SUCH AS LIFE SUPPORTING, ACTIVE IMPLANTED DEVICES OR SYSTEMS WITH PRODUCT FUNCTIONAL SAFETY REQUIREMENTS; (B) AERONAUTIC APPLICATIONS; (C) AUTOMOTIVE APPLICATIONS OR ENVIRONMENTS, AND/OR (D) AEROSPACE APPLICATIONS OR ENVIRONMENTS. WHERE ST PRODUCTS ARE NOT DESIGNED FOR SUCH USE, THE PURCHASER SHALL USE PRODUCTS AT PURCHASER'S SOLE RISK, EVEN IF ST HAS BEEN INFORMED IN WRITING OF SUCH USAGE, UNLESS A PRODUCT IS EXPRESSLY DESIGNATED BY ST AS BEING INTENDED FOR "AUTOMOTIVE, AUTOMOTIVE SAFETY OR MEDICAL" INDUSTRY DOMAINS ACCORDING TO ST PRODUCT DESIGN SPECIFICATIONS. PRODUCTS FORMALLY ESCC, QML OR JAN QUALIFIED ARE DEEMED SUITABLE FOR USE IN AEROSPACE BY THE CORRESPONDING GOVERNMENTAL AGENCY.

Resale of ST products with provisions different from the statements and/or technical features set forth in this document shall immediately void any warranty granted by ST for the ST product or service described herein and shall not create or extend in any manner whatsoever, any liability of ST.

ST and the ST logo are trademarks or registered trademarks of ST in various countries.

Information in this document supersedes and replaces all information previously supplied.

The ST logo is a registered trademark of STMicroelectronics. All other names are the property of their respective owners.

© 2013 STMicroelectronics - All rights reserved

STMicroelectronics group of companies

Australia - Belgium - Brazil - Canada - China - Czech Republic - Finland - France - Germany - Hong Kong - India - Israel - Italy - Japan - Malaysia - Malta - Morocco - Philippines - Singapore - Spain - Sweden - Switzerland - United Kingdom - United States of America

www.st.com