

ST1151A

Version : A.03
Issue Date : 2003/03/18
File Name : ST1151A_A03.doc
Total Pages: 6

Low-saturation, Low-voltage
1.5 Channel Bi-directional Motor Driver

www.DataSheet4U.com



SILICON TOUCH TECHNOLOGY INC.
新竹市科學園區展業一路九號四樓之三
9-4F-3 Prosperity Road I Science-Based Industrial Park
Hsinchu, Taiwan 300, R.O.C.
Tel : 886-3-5645656 Fax : 886-3-5645626

ST1151A

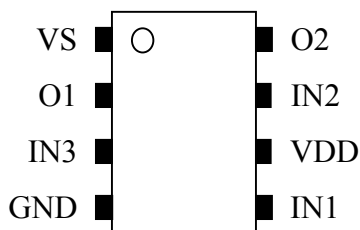
Low-saturation, Low-voltage 1.5 Channel Bi-directional Motor Driver

General Specifications

The device is a 1.5-channel low-saturation bi-directional motor driver IC. The design is optimal for motor applications, such as cameras, printers, FDDs, or other portable devices with forward, reverse, brake and stand-by function.

Features and Benefits

- Low voltage operation ($V_{DD\ Min} = V_{S\ Min} = 1.5V$)
- Low saturation voltage (Upper transistor + low transistor residual voltage; 0.4V typ. at 300mA , $V_{DD} = V_S = 3V$)
- Low input current
- Brake function
- High output sinking and driving capability
- Thin, highly reliable package (SOP-8)

Pin Assignment

Pin NO.	Pin Name	Description
1	VS	Power supply pin for output driver
2	O1	Output sinking / driving pin
3	IN3	Input pin 3 that determines driving mode
4	GND	Ground pin
5	IN1	Input pin 1 that determines driving mode
6	VDD	Power supply pin for controller.
7	IN2	Input pin 2 that determines driving mode
8	O2	Output sinking / driving pin

Absolute Maximum Ratings (Unless otherwise noted, $T_A = 25^\circ\text{C}$)

Characteristic	Symbol	Rating	Unit
Supply Voltage	V_{DD}	5.5	V
	V_S	5.5	V
Input Voltage	V_{IN}	$V_{DD}+0.4$	V
I_O Peak Current	I_{OPeak}	2	A
I_{ODC} Current	I_{ODC}	0.75	A
Power Dissipation	P_D	680	mW
Operating Temperature Range	T_{OPR}	-40 ~ 125	$^\circ\text{C}$
Storage Temperature Range	T_{STG}	-65 ~ 150	$^\circ\text{C}$

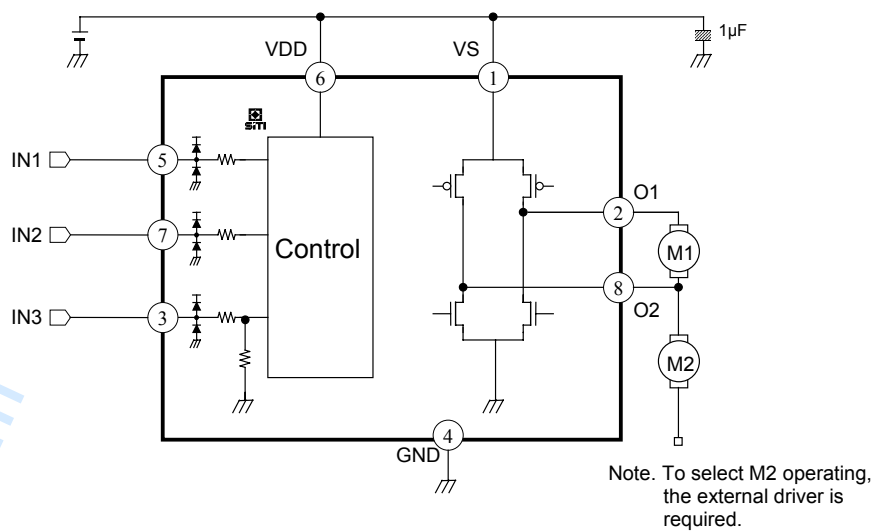
Electrical Characteristic

(Unless otherwise noted, $T_A = 25^\circ\text{C}$ & $V_{DD} = V_S = 3V$)

Characteristic	Sym.	Condition	Limit			Unit
			Min.	Typ.	Max.	
Supply Voltage	V_{DD}		1.5	3	5.5	V
	V_S		1.5	3	5.5	V
Supply Current ($I_{DD} + I_S$)	I_{DD0}	$V_{IN1, IN2, IN3} = 0V$		0.5	10	μA
	I_{DD1}	$V_{IN1, IN2, IN3} = 3V$		1	10	μA
IN1 / IN2 / IN3 Input Terminal ($T_J = 25^\circ\text{C}$)						
Input Voltage "H"	V_{IH}	-	$0.8 \cdot V_{DD}$	-	$V_{DD} + 0.4$	V
Input Voltage "L"	V_{IL}	-	-0.4	-	$0.2 \cdot V_{DD}$	V
Input Current "H"	I_{IH}	$V_{IN} = V_{DD}$	-	-	± 5	μA
Input Current "L"	I_{IL}	$V_{IN} = 0V$	-	-	± 5	μA
O1 / O2 Output Terminal ($T_J = 25^\circ\text{C}$)						
Output Voltage (upper + lower)	V_{OUT1}	$I_{OUT} = 200\text{ mA}$	-	0.3	0.45	V
	V_{OUT2}	$I_{OUT} = 300\text{ mA}$	-	0.5	0.7	V
	V_{OUT3}	$I_{OUT} = 600\text{ mA}$	-	0.9	1.0	V
Output Sustaining Voltage	$V_{O(SUS)}$	$I_{OUT} = 400\text{ mA}$	-	-	V_S	V

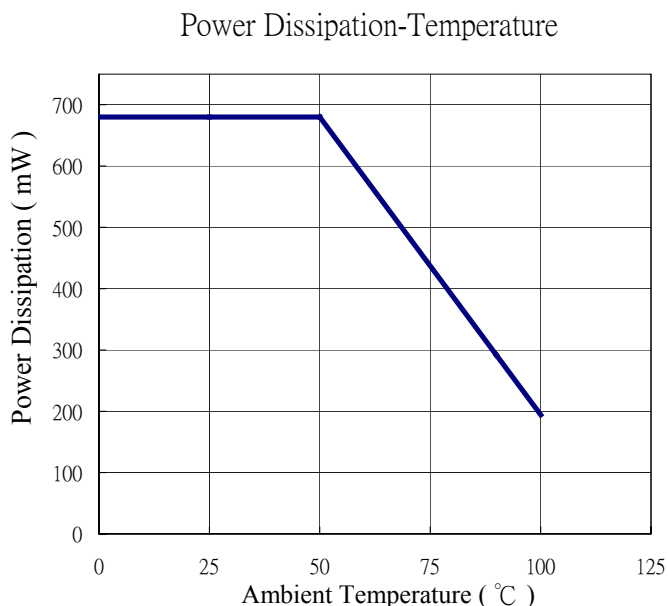
Truth Table

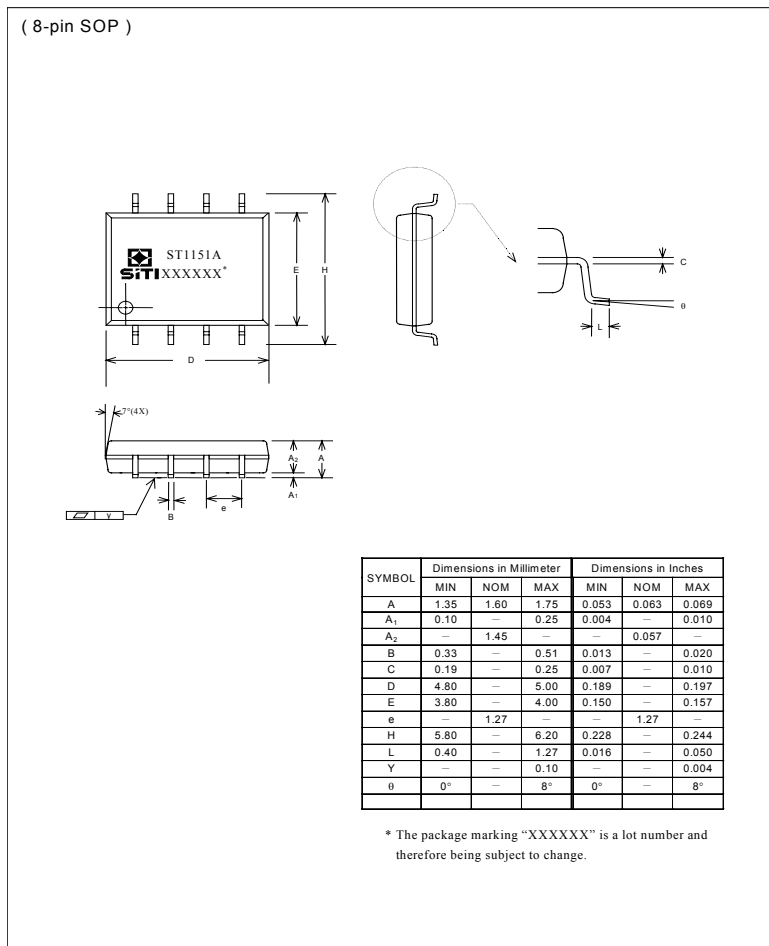
Input Signal			Output Driver		Mode
IN1	IN2	IN3	O1	O2	
H	L	L	H	L	M1Forward
L	H	L	L	H	M1Reverse
H	H	L	H	H	M1Brake
L	L	L	OFF	OFF	Standby
H	L	H	OFF	H	M2 Operation
L	H	H	OFF	L	M2 Operation
H	H	H	OFF	H	M2 Operation

Block Diagram & Application Circuit

Application Notes

- In multiple power supply application, the voltage of VDD pin must larger than or equal to the voltage of VS pin.
- The power dissipated by the IC varies widely with the supply voltage, the output current, and loading. It is important to ensure the application does not exceed the allowable power dissipation of the IC package. The recommended motor driver power dissipation versus temperature is depicted as follows:



Package Specifications (SOP-8)

The products listed herein are designed for ordinary electronic applications, such as electrical appliances, audio-visual equipment, communications devices and so on. Hence, it is advisable that the devices should not be used in medical instruments, surgical implants, aerospace machinery, nuclear power control systems, disaster/crime-prevention equipment and the like. Misusing those products may directly or indirectly endanger human life, or cause injury and property loss.

Silicon Touch Technology, Inc. will not take any responsibilities regarding the misuse of the products mentioned above. Anyone who purchases any products described herein with the above-mentioned intention or with such misused applications should accept full responsibility and indemnify. Silicon Touch Technology, Inc. and its distributors and all their officers and employees shall defend jointly and severally against any and all claims and litigation and all damages, cost and expenses associated with such intention and manipulation.