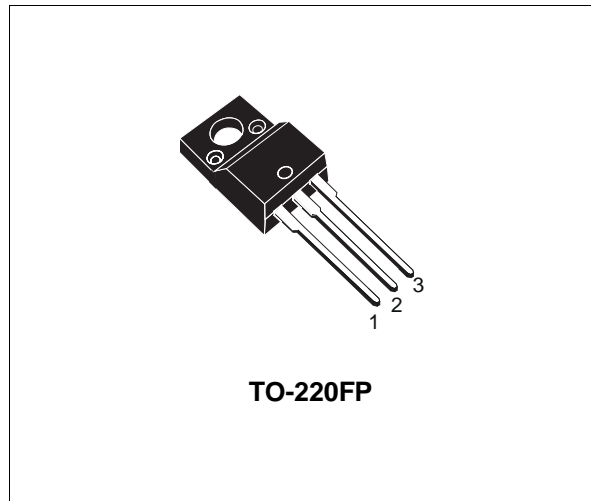




# ST13007DFP

## HIGH VOLTAGE FAST-SWITCHING NPN POWER TRANSISTOR

- IMPROVED SPECIFICATION:
  - LOWER LEAKAGE CURRENT
  - TIGHTER GAIN RANGE
  - DC CURRENT GAIN PRESELECTION
  - TIGHTER STORAGE TIME RANGE
- HIGH VOLTAGE CAPABILITY
- INTEGRATED FREE-WHEELING DIODE
- LOW SPREAD OF DYNAMIC PARAMETERS
- MINIMUM LOT-TO-LOT SPREAD FOR RELIABLE OPERATION
- VERY HIGH SWITCHING SPEED
- FULLY CHARACTERIZED AT 125 °C
- LARGE RBSOA
- FULLY INSULATED PACKAGE (U.L. COMPLIANT) FOR EASY MOUNTING

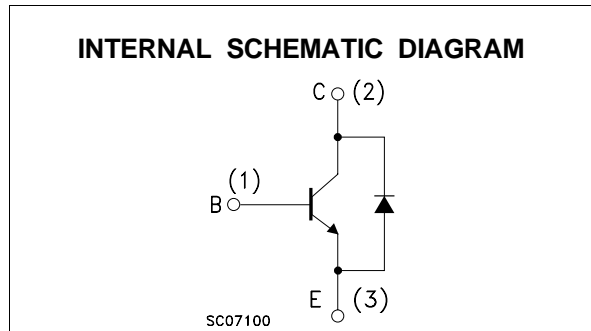


### APPLICATIONS

- UP TO 120W ELECTRONIC TRANSFORMERS FOR HALOGEN LAMPS
- SWITCH MODE POWER SUPPLIES

### DESCRIPTION

The device is manufactured using high voltage Multi Epitaxial Planar technology for high switching speeds and high voltage capability. It uses a Cellular Emitter structure to enhance switching speeds.



### ABSOLUTE MAXIMUM RATINGS

Symbol	Parameter	Value	Unit
$V_{CEV}$	Collector-Emitter Voltage ( $V_{BE} = -1.5V$ )	700	V
$V_{CEO}$	Collector-Emitter Voltage ( $I_B = 0$ )	400	V
$V_{EBO}$	Emitter-Base Voltage ( $I_C = 0$ )	9	V
$I_C$	Collector Current	8	A
$I_{CM}$	Collector Peak Current	16	A
$I_B$	Base Current	4	A
$I_{BM}$	Base Peak Current	8	A
$P_{tot}$	Total Dissipation at $T_c \leq 25\text{ °C}$	36	W
$V_{isol}$	Insulation Withstand Voltage (RMS) from All Three Leads to External Heatsink	1500	V
$T_{stg}$	Storage Temperature	-65 to 150	°C
$T_j$	Max. Operating Junction Temperature	150	°C

**THERMAL DATA**

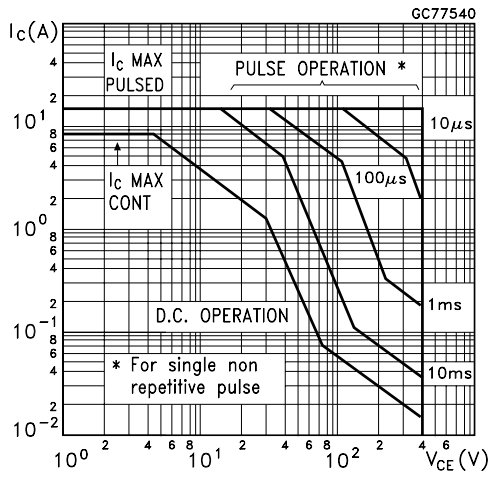
R <sub>thj-case</sub>	Thermal Resistance Junction-case	Max	3.47	°C/W
R <sub>thj-amb</sub>	Thermal Resistance Junction-ambient	Max	62.5	°C/W

**ELECTRICAL CHARACTERISTICS** (T<sub>case</sub> = 25 °C unless otherwise specified)

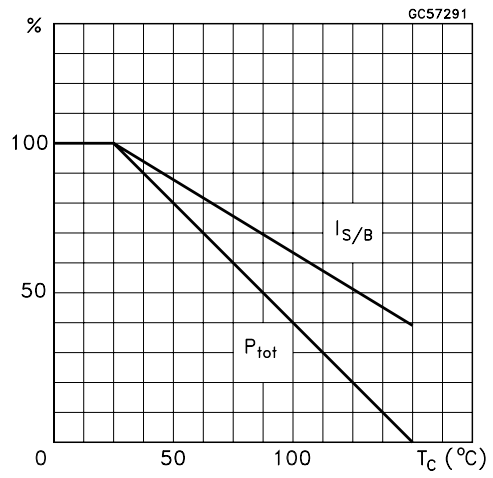
Symbol	Parameter	Test Conditions	Min.	Typ.	Max.	Unit
I <sub>CEs</sub>	Collector Cut-off Current (V <sub>BE</sub> = 0)	V <sub>CE</sub> = 700 V V <sub>CE</sub> = 700 V      T <sub>c</sub> = 100 °C			10 0.5	μA mA
I <sub>CEO</sub>	Collector Cut-off Current (I <sub>B</sub> = 0)	V <sub>CE</sub> = 400 V			100	μA
I <sub>EBO</sub>	Emitter Cut-off Current (I <sub>C</sub> = 0)	V <sub>EB</sub> = 9 V			100	μA
V <sub>CEO(sus)*</sub>	Collector-Emitter Sustaining Voltage (I <sub>B</sub> = 0)	I <sub>C</sub> = 10 mA	400			V
V <sub>CE(sat)*</sub>	Collector-Emitter Saturation Voltage	I <sub>C</sub> = 2 A      I <sub>B</sub> = 0.4 A I <sub>C</sub> = 5 A      I <sub>B</sub> = 1 A I <sub>C</sub> = 8 A      I <sub>B</sub> = 2 A I <sub>C</sub> = 5 A      I <sub>B</sub> = 1 A      T <sub>c</sub> = 100 °C			0.8 1.5 2 3	V V V V
V <sub>BE(sat)*</sub>	Base-Emitter Saturation Voltage	I <sub>C</sub> = 2 A      I <sub>B</sub> = 0.4 A I <sub>C</sub> = 5 A      I <sub>B</sub> = 1 A I <sub>C</sub> = 5 A      I <sub>B</sub> = 1 A      T <sub>c</sub> = 100 °C			1.2 1.6 1.5	V V V
h <sub>FE*</sub>	DC Current Gain	I <sub>C</sub> = 2 A      V <sub>CE</sub> = 5 V I <sub>C</sub> = 5 A      V <sub>CE</sub> = 5 V	18 8		40 25	
V <sub>f</sub>	Diode Forward Voltage	I <sub>C</sub> = 3 A			2.5	V
t <sub>s</sub> t <sub>f</sub>	INDUCTIVE LOAD Storage Time Fall Time	I <sub>C</sub> = 5 A      V <sub>CL</sub> = 250 V R <sub>BB</sub> = 0Ω I <sub>B1</sub> = 1 A      V <sub>BE(off)</sub> = -5 V L = 200 μH      (see figure 1)		1.7 90	2.3 150	μs ns
t <sub>s</sub> t <sub>f</sub>	INDUCTIVE LOAD Storage Time Fall Time	I <sub>C</sub> = 5 A      V <sub>CL</sub> = 250 V R <sub>BB</sub> = 0Ω I <sub>B1</sub> = 1 A      V <sub>BE(off)</sub> = -5 V L = 200 μH      T <sub>C</sub> = 125 °C (see figure 1)		2.2 150		μs ns

\* Pulsed: Pulse duration = 300 μs, duty cycle 2 %.

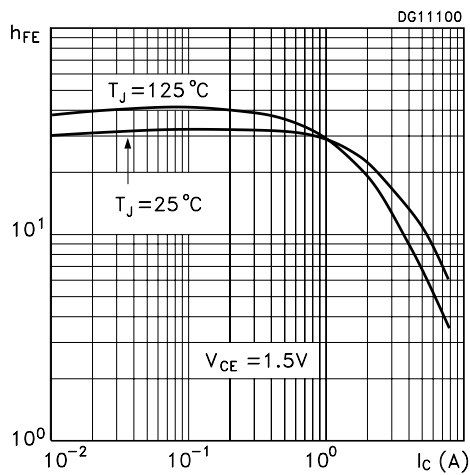
Safe Operating Area



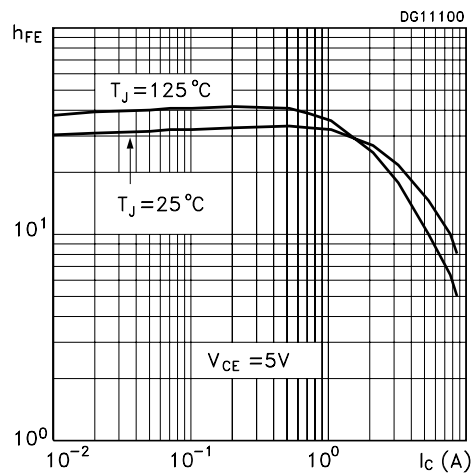
Derating Curve



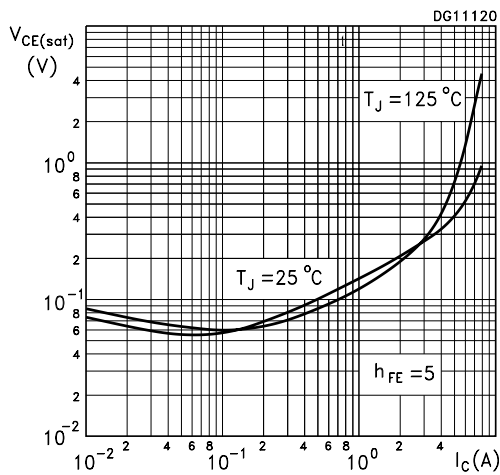
DC Current Gain



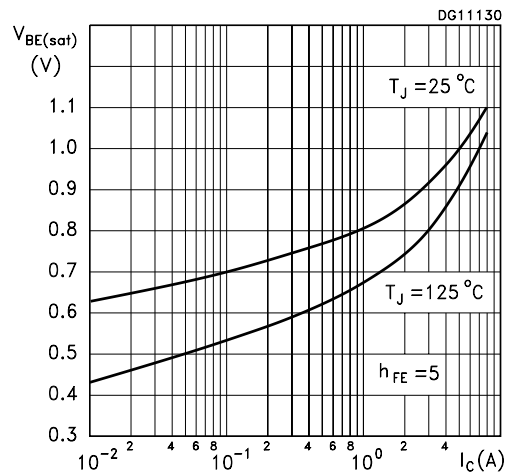
DC Current Gain



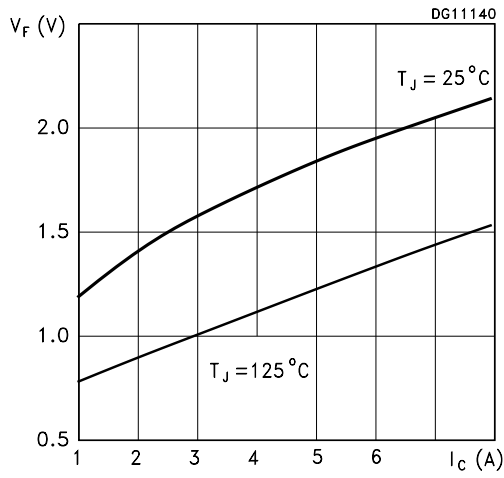
Collector Emitter Saturation Voltage



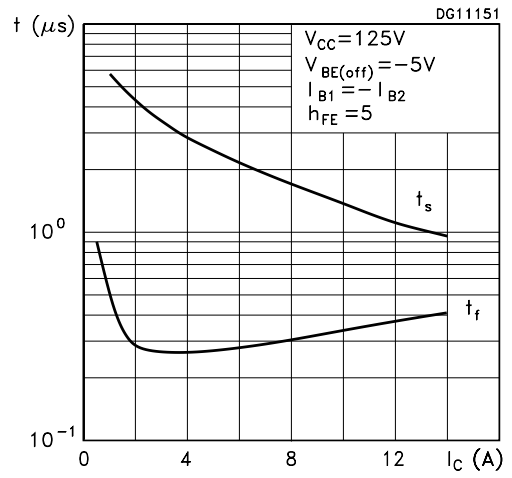
Base Emitter Saturation Voltage



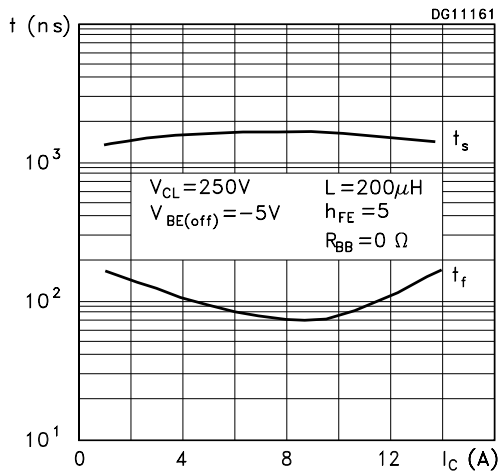
Diode Forward Voltage



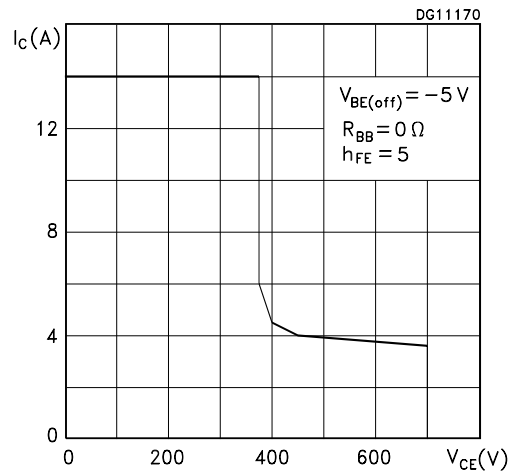
Switching Time Resistive Load



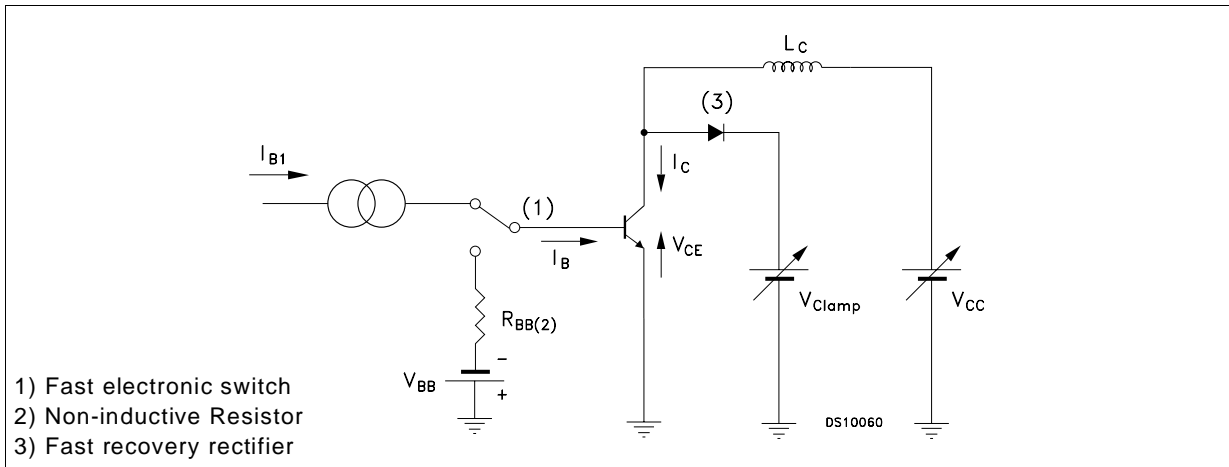
Switching Time Inductive Load



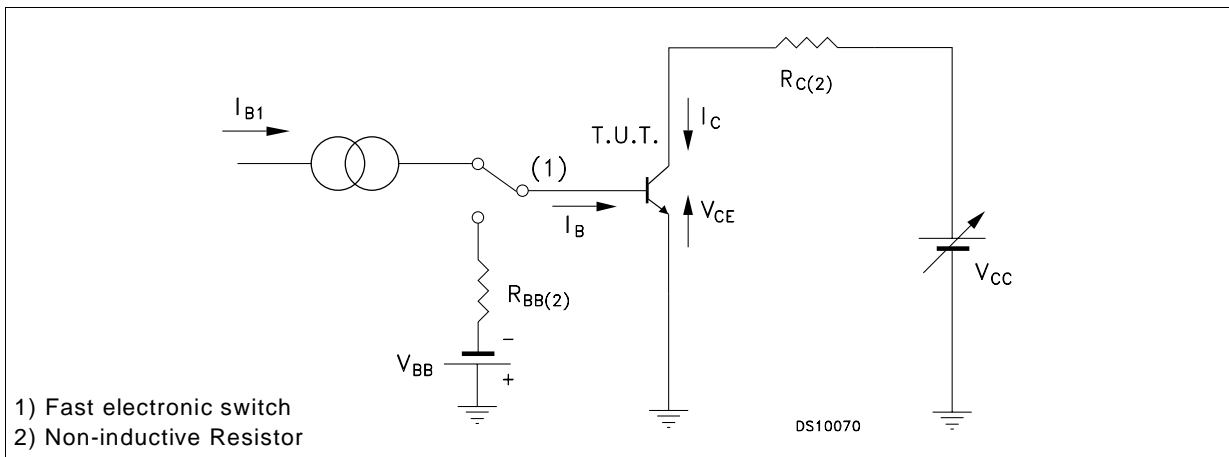
Reverse Biased SOA



**Figure 1: Inductive Load Switching Test Circuit.**

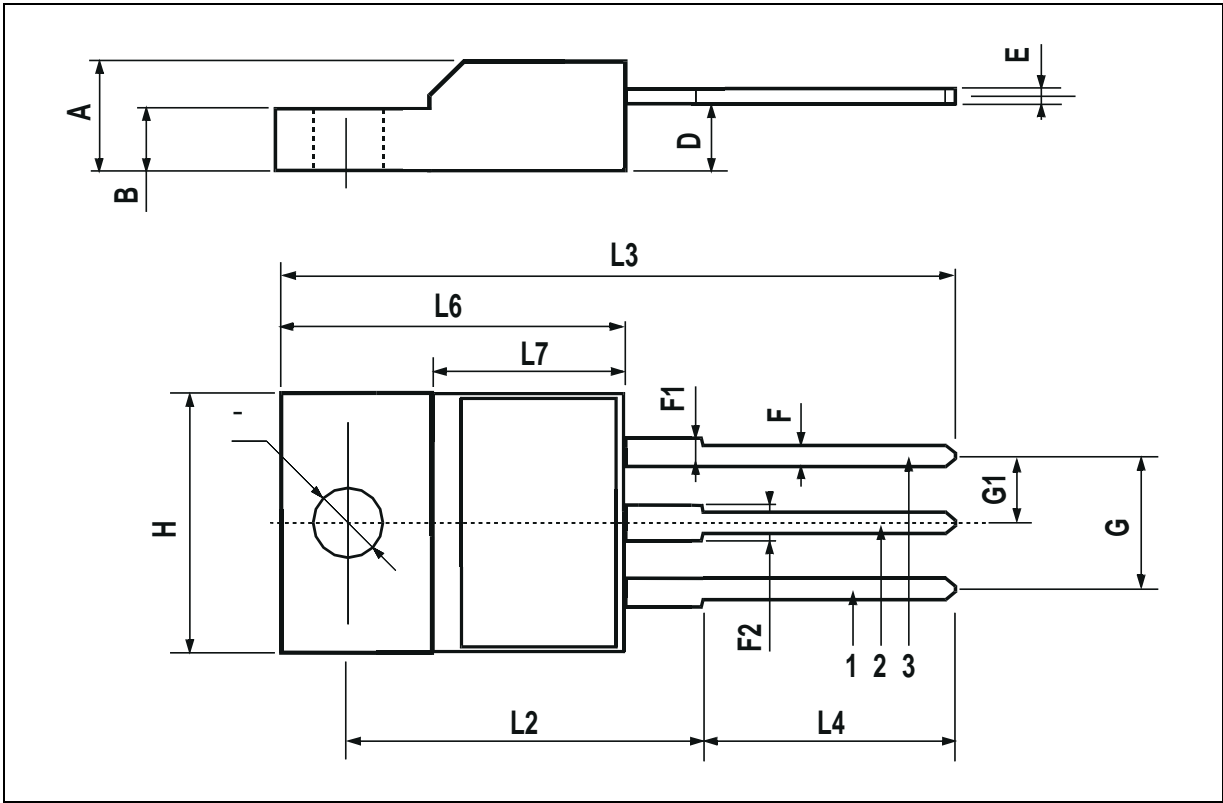


**Figure 2: Resistive Load Switching Test Circuit.**



**TO-220FP MECHANICAL DATA**

DIM.	mm			inch		
	MIN.	TYP.	MAX.	MIN.	TYP.	MAX.
A	4.4		4.6	0.173		0.181
B	2.5		2.7	0.098		0.106
D	2.5		2.75	0.098		0.108
E	0.45		0.7	0.017		0.027
F	0.75		1	0.030		0.039
F1	1.15		1.7	0.045		0.067
F2	1.15		1.7	0.045		0.067
G	4.95		5.2	0.195		0.204
G1	2.4		2.7	0.094		0.106
H	10		10.4	0.393		0.409
L2		16			0.630	
L3	28.6		30.6	1.126		1.204
L4	9.8		10.6	0.385		0.417
L6	15.9		16.4	0.626		0.645
L7	9		9.3	0.354		0.366
Ø	3		3.2	0.118		0.126



Information furnished is believed to be accurate and reliable. However, STMicroelectronics assumes no responsibility for the consequences of use of such information nor for any infringement of patents or other rights of third parties which may result from its use. No license is granted by implication or otherwise under any patent or patent rights of STMicroelectronics. Specification mentioned in this publication are subject to change without notice. This publication supersedes and replaces all information previously supplied. STMicroelectronics products are not authorized for use as critical components in life support devices or systems without express written approval of STMicroelectronics.

The ST logo is a trademark of STMicroelectronics

© 2003 STMicroelectronics – Printed in Italy – All Rights Reserved

STMicroelectronics GROUP OF COMPANIES

Australia - Brazil - Canada - China - Finland - France - Germany - Hong Kong - India - Israel - Italy - Japan - Malaysia - Malta - Morocco - Singapore - Spain - Sweden - Switzerland - United Kingdom - United States.

<http://www.st.com>