



# MODEL: ST3151A03-1

Ver. 1.1

Date: 31.Oct.2011

| Customer's Approval |      | CSOT                         |      |
|---------------------|------|------------------------------|------|
| Signature           | Date | Approved By Product Director | Date |
|                     |      | Name:                        |      |
|                     |      | Signature:                   |      |
|                     |      | Reviewed By PM Manager       | Date |
|                     |      | Name:                        |      |
|                     |      | Signature:                   |      |
|                     |      | Reviewed By Project Leader   | Date |
|                     |      | Name:                        |      |
|                     |      | Signature:                   |      |
|                     |      | Reviewed By PM               | Date |
|                     |      | Name:                        |      |
|                     |      | Signature:                   |      |
|                     |      |                              |      |

## Contents

|  |    |
|--|----|
| Revision History .....   | 3  |
| 1. General Description .....   | 4  |
| 1.1 Product Features .....   | 4  |
| 1.2 Overview.....  | 4  |
| 1.3 General Information.....   | 4  |
| 2. Electrical Specification .....  | 5  |
| 2.1 Electrical Characteristics .....   | 5  |
| 2.1.1 Open cell Power Consumption ( $T_A = 25 \pm 2 \text{ }^\circ\text{C}$ )..... | 5  |
| 2.1.2 LVDS Characteristics.....  | 6  |
| 3. Input Terminal Pin Assignment .....   | 7  |
| 3.1 Interface pin assignment .....   | 7  |
| 3.2 Block Diagram of Interface .....   | 8  |
| 3.3 LVDS Interface .....   | 8  |
| 3.3.1 VESA Format (SELLVDS = L or Open) .....                                      | 8  |
| 3.3.2 JEIDA Format (SELLVDS = H).....  | 9  |
| 4. Interface Timing.....   | 10 |
| 4.1 Timing Table (DE Only Mode).....   | 10 |
| 4.2 Power On/Off Sequence .....  | 11 |
| 5. Optical Characteristics.....  | 12 |
| 5.1 Measurement Conditions .....   | 12 |
| 5.2 Optical Specifications.....  | 13 |
| 6. Mechanical Characteristics.....   | 16 |
| 6.1 Mechanical Specification.....  | 16 |
| 6.2 Packing.....   | 17 |
| 6.2.1 Packing Specifications.....  | 17 |
| 6.2.2 Packing Method.....  | 17 |
| 7. Definition of Labels.....   | 18 |
| 7.1 Open Cell Label.....   | 18 |
| 7.2 Carton Label .....   | 18 |
| 7.3 Pallet Label .....   | 19 |
| 8. Precautions.....  | 20 |
| 8.1 Assembly and Handling Precautions .....  | 20 |
| 8.2 Safety Precautions.....  | 20 |

## Revision History

| Version  | Date        | Page (New) | Section | Description                                 | Revision by |
|----------|-------------|------------|---------|---|-------------|
| Ver. 1.1 | 31.Oct.2011 | 20         | All     | Preliminary Specification was First Issued. | Alex Jin    |

CSOT  
Confidential

## 1. General Description

### 1.1 Product Features

- **HD Resolution (1366 x 768)**
- **Very High Contrast Ratio: 3000:1**
- **Fast Response Time**
- **Ultra Wide Viewing Angle: 178° (H)/178° (V) (CR ≥ 10)**
- **DE (Data Enable) Mode**
- **LVDS (Low Voltage Differential Signaling) Interface**

### 1.2 Overview

ST3151A03-1 is a diagonal 31.5" color active matrix LCD Open cell with 1ch-LVDS interface. This Open cell is a transmissive type display operating in the normally black mode. It supports 1366 x 768 HD resolution and can display up to 16.7M colors (8-bit). Each pixel is divided into Red, Green and Blue sub-pixels which are arranged in vertical stripe. There is no backlight built-in.

This open cell dedicates for LCD TV products and provides excellent performance which includes high transparency, ultra wide viewing angle and high color depth.

### 1.3 General Information

| Item                       | Specification  | Unit  | Note  |
|----------------------------|--|-------|---|
| Active Area                | 697.6845 (H) x 392.2560 (V)  | mm    |   |
| Cell Size                  | 714.835(H) x 410.570 (V) x 1.900 (D)                                 | mm    |   |
| Weight                     | 1.2  | kg    | Max.  |
| Driving Scheme             | a-Si TFT Active Matrix   | -     |   |
| Number of Pixels           | 1366 x 768   | pixel |   |
| Pixel Pitch (Sub Pixel)    | 0.17025 (H) x 0.51075 (V)  | mm    |   |
| Pixel Arrangement          | RGB Vertical Stripe  | -     |   |
| Display Colors             | 16.7 M   | color | 8-bit   |
| Display Mode               | Transmissive Mode, Normally Black                                    | -     |   |
| Glass thickness (Array/CF) | 0.7/0.7  | mm    |   |
| Color Chromaticity         | R=0.635, 0.330<br>G=0.310, 0.625<br>B=0.153, 0.044<br>W=0.280, 0.290 |       | Typical value measured at CSOT's module: MT3151A03-1) |
| Contrast Ratio             | 3000:1(Typ.)   |       |   |
| Cell Transmittance         | 5.73%(Typ.)  | %     |   |
| View Angle(CR>10)          | +89/-89(H),+89/-89(V) (Typ.)   |       |   |
| Polarizer(CF side)         | Anti-glare, Haze 12%, Hard Coating (3H)                              |       |   |
| Polarizer(TFT side)        | Haze 12%, Hard Coating (3H)  |       |   |

## 2. Electrical Specification

### 2.1 Electrical Characteristics

#### 2.1.1 Open cell Power Consumption (TA = 25 ± 2 °C)

| Parameter            | Symbol            | Value           |      |      | Unit | Note |     |
|----------------------|-------------------|-----------------|------|------|------|------|-----|
|                      |                   | Min.            | Typ. | Max. |      |      |     |
| Power Supply Voltage | V <sub>CC</sub>   | 10.8            | 12.0 | 13.2 | V    | (1)  |     |
| Rush Current         | I <sub>RUSH</sub> | -               | -    | 3    | A    | (2)  |     |
| Power Supply Current | White Pattern     | I <sub>CC</sub> | -    | 0.3  | 0.39 | A    | (3) |
|                      | Horizontal Stripe | I <sub>CC</sub> | -    | 0.35 | 0.45 | A    |     |
|                      | Black Pattern     | I <sub>CC</sub> | -    | 0.2  | 0.26 | A    |     |

Note:

- (1) The ripple voltage should be controlled less than 10% of V<sub>CC</sub>.  
 (2) Measurement condition: V<sub>CC</sub> rising time = 470 μs.

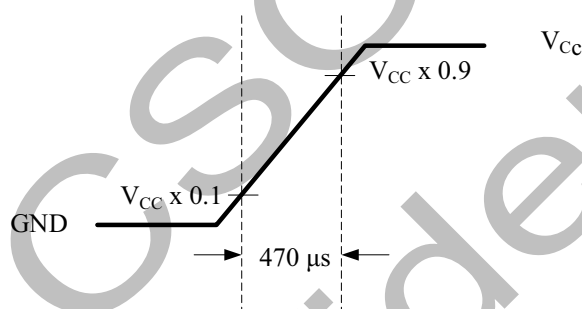
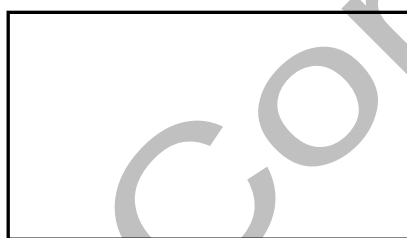


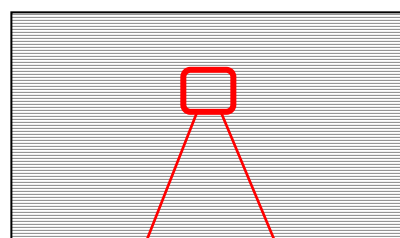
Fig. 2.1 V<sub>CC</sub> rising time condition

- (3) Measurement condition: V<sub>CC</sub> = 12 V, Ta = 25 ± 2 °C, F = 60 Hz. The test patterns are shown as below.

A. White Pattern



B. Horizontal Pattern



C. Black Pattern

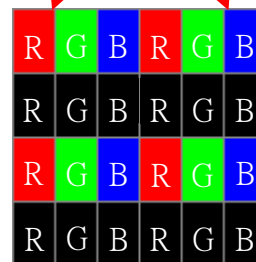


Fig. 2.2 Test patterns

### 2.1.2 LVDS Characteristics

| Parameter      |   | Symbol     | Value |      |       | Unit | Note |
|----------------|---|------------|-------|------|-------|------|------|
|                |   |            | Min.  | Typ. | Max.  |      |      |
| LVDS Interface | Differential Input High Threshold Voltage | $V_{TH}$   | + 100 | -    | -     | mV   | (1)  |
|                | Differential Input Low Threshold Voltage  | $V_{TL}$   | -     | -    | - 100 | mV   |      |
|                | Common Input Voltage                      | $V_{CM}$   | 1.0   | 1.2  | 1.4   | V    |      |
|                | Differential Input Voltage                | $ V_{ID} $ | 200   | -    | 600   | mV   |      |
|                | Terminating Resistor                      | $R_T$      | -     | 100  | -     | ohm  |      |
| CMOS Interface | Input High Threshold Voltage              | $V_{IH}$   | 2.7   | -    | 3.3   | V    |      |
|                | Input Low Threshold Voltage               | $V_{IL}$   | 0.0   | -    | 0.6   | V    |      |

Note:

(1) The LVDS input signal has been defined as follows:

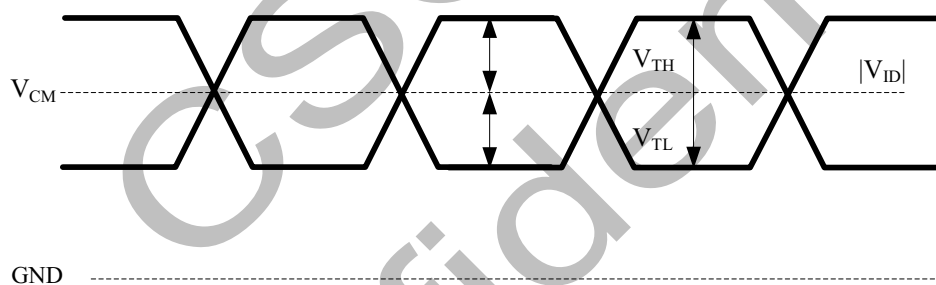


Fig. 2.3 LVDS input signal

### 3. Input Terminal Pin Assignment

#### 3.1 Interface pin assignment

CN1: 300B30-0000RA-M4 (STARCONN) or equivalent (see Note (1))

| Pin No. | Symbol          | Description                       | Note |
|---------|-----------------|-----------------------------------|------|
| 1       | V <sub>CC</sub> | Power Supply ,+ 12 V DC Regulated |      |
| 2       | V <sub>CC</sub> | Power Supply ,+ 12 V DC Regulated |      |
| 3       | V <sub>CC</sub> | Power Supply ,+ 12 V DC Regulated |      |
| 4       | V <sub>CC</sub> | Power Supply ,+ 12 V DC Regulated |      |
| 5       | GND             | Ground                            |      |
| 6       | GND             | Ground                            |      |
| 7       | GND             | Ground                            |      |
| 8       | GND             | Ground                            |      |
| 9       | LVDS SEL        | LVDS Data Format Selection        | (2)  |
| 10      | NC              | For CSOT Users Only               |      |
| 11      | GND             | Ground                            |      |
| 12      | LV1N0           | 1st Channel LVDS Data Input (0-)  |      |
| 13      | LV1P0           | 1st Channel LVDS Data Input (0+)  |      |
| 14      | GND             | Ground                            |      |
| 15      | LV1N1           | 1st Channel LVDS Data Input (1-)  |      |
| 16      | LV1P1           | 1st Channel LVDS Data Input (1+)  |      |
| 17      | GND             | Ground                            |      |
| 18      | LV1N2           | 1st Channel LVDS Data Input (2-)  |      |
| 19      | LV1P2           | 1st Channel LVDS Data Input (2+)  |      |
| 20      | GND             | Ground                            |      |
| 21      | LVCK1N          | 1st Channel LVDS Clock Input (-)  |      |
| 22      | LVCK1P          | 1st Channel LVDS Clock Input (+)  |      |
| 23      | GND             | Ground                            |      |
| 24      | LV1N3           | 1st Channel LVDS Data Input (3-)  |      |
| 25      | LV1P3           | 1st Channel LVDS Data Input (3+)  |      |
| 26      | GND             | Ground                            |      |
| 27      | WP_VCM          | For CSOT Users Only               | (3)  |
| 28      | SDA_VCM         | For CSOT Users Only               | (3)  |
| 29      | SCL_VCM         | For CSOT Users Only               | (3)  |
| 30      | GND             | Ground                            |      |

Note:

(1) The direction of pin assignment is shown as below:

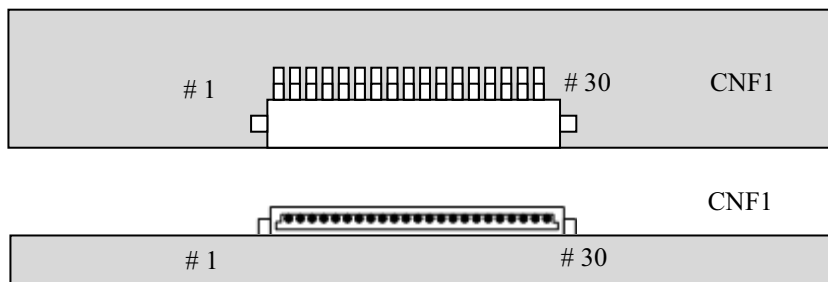
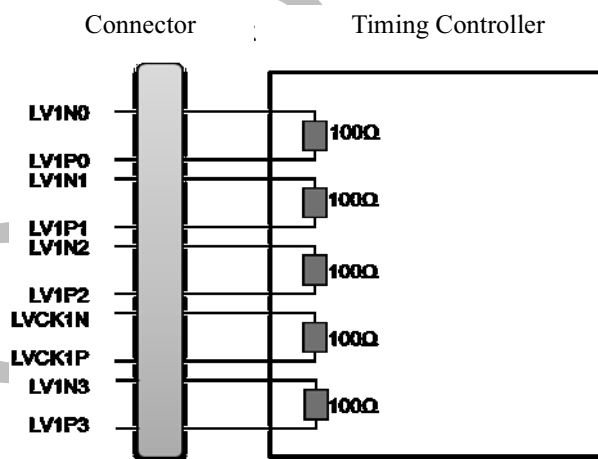


Fig. 3.1 LVDS direction sketch map

(2) High: connect to +3.3 V → JEIDA format; Low: connect to GND or Open → VESA format.

(3) For CSOT internal only, please let it open.

### 3.2 Block Diagram of Interface



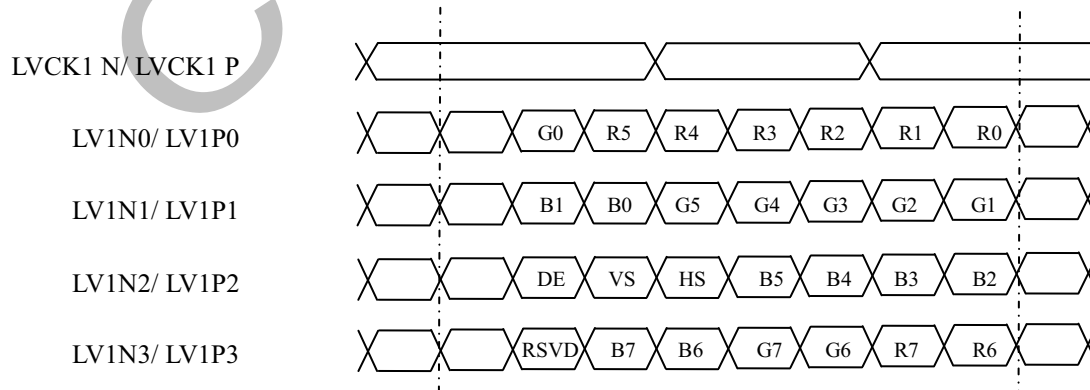
Attention:

(1) This LCD Open cell uses a 100 ohms ( $\Omega$ ) resistor between positive and negative lines of each receiver input.

(2) LVDS cable impedance shall be 50 ohms per signal line or about 100 ohms per twist-pair line respectively.

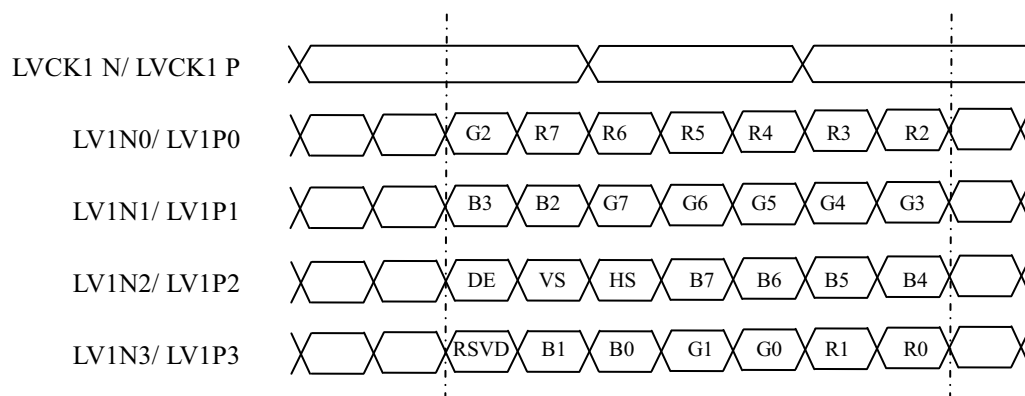
### 3.3 LVDS Interface

#### 3.3.1 VESA Format (SELLVDS = L or Open)



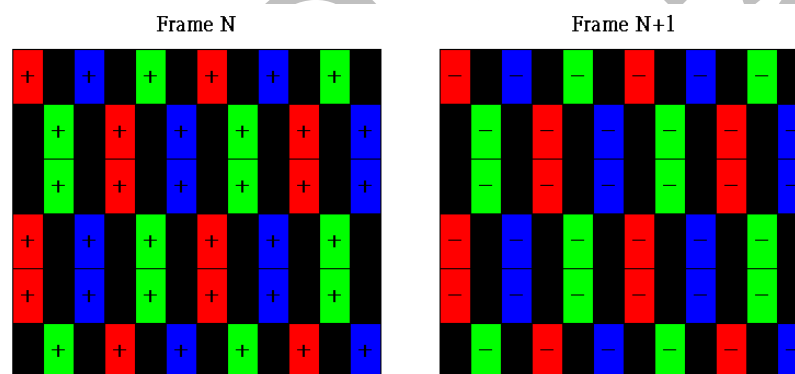


### 3.3.2 JEIDA Format (SELLVDS = H)



### 3.4 Pattern FOR Vcom Adjustment

2 line-inversion pattern ( 2n+1)



## 4. Interface Timing

### 4.1 Timing Table (DE Only Mode)

| Signal          | Item               | Symbol                           | Min. | Typ. | Max. | Unit      | Note                    |
|-----------------|--------------------|----------------------------------|------|------|------|-----------|-------------------------|
| LVDS Clock      | Frequency          | $F_{clk}$<br>( $= 1 / T_{clk}$ ) | 50.0 | 75.4 | 85.0 | MHz       |                         |
| Vertical Term   | Frame Rate         | F                                | 57   | 60   | 63   | Hz        |                         |
|                 | Vertical Frequency | $F_v$                            | 47.1 | 48   | 60.9 | KHz       |                         |
|                 | Total              | $T_v$                            | 784  | 806  | 1015 | $T_h$     | $T_v = T_{vd} + T_{vb}$ |
|                 | Display            | $T_{vd}$                         | 768  |      |      | $T_h$     |                         |
|                 | Blank              | $T_{vb}$                         | 16   | 38   | 247  | $T_h$     |                         |
| Horizontal Term | Total              | $T_h$                            | 1460 | 1560 | 2000 | $T_{clk}$ | $T_h = T_{hd} + T_{hb}$ |
|                 | Display            | $T_{hd}$                         | 1366 |      |      | $T_{clk}$ |                         |
|                 | Blank              | $T_{hb}$                         | 94   | 194  | 634  | $T_{clk}$ |                         |

Attention:

(1) The TFT LCD Open cell is operated in DE only mode, H sync and V sync input signal have no effect on normal operation.

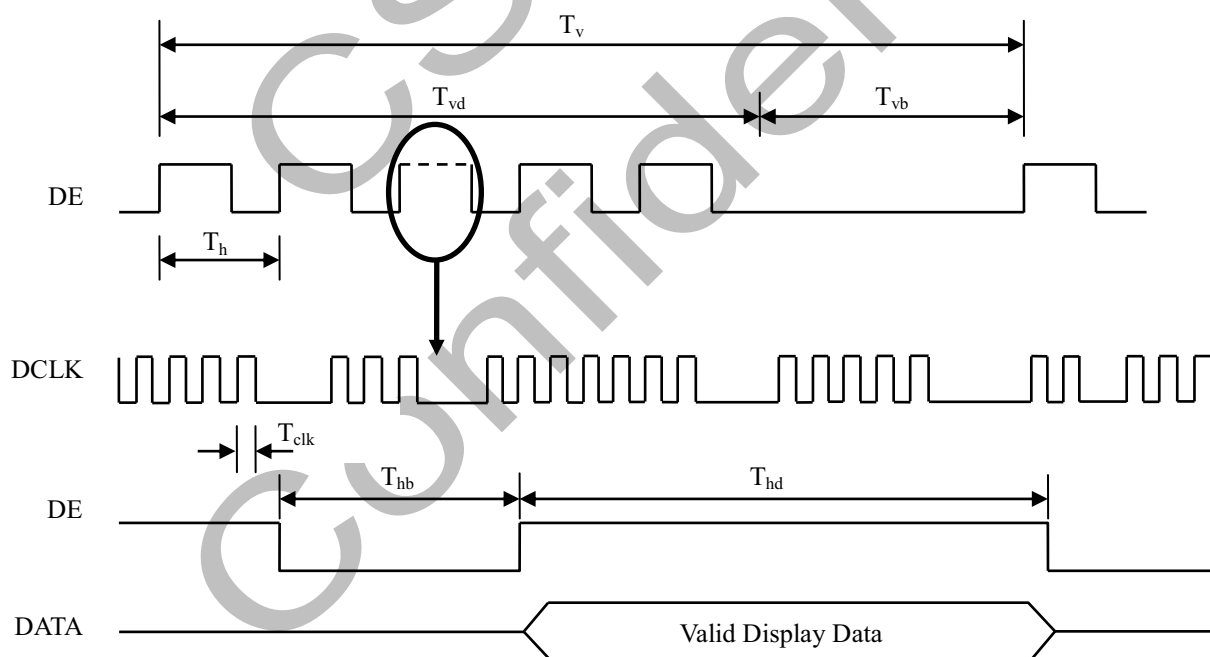


Fig. 4.1 Interface signal timing diagram

## 4.2 Power On/Off Sequence

To prevent a latch-up or DC operation of the Open cell, the power on/off sequence should be as the diagram below.

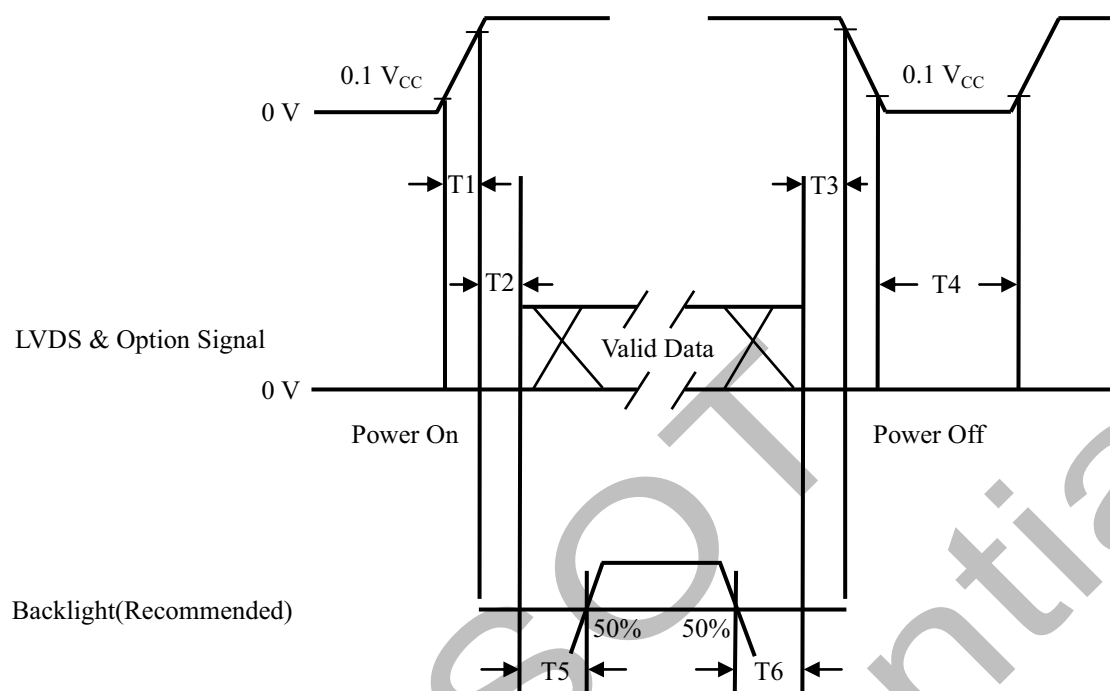


Fig. 4.2 Power On/Off

| Parameter | Values |      |      | Unit |
|-----------|--------|------|------|------|
|           | Min.   | Typ. | Max. |      |
| T1        | 0.5    | -    | 10   | ms   |
| T2        | 0      | -    | 50   | ms   |
| T3        | 0      | -    | 50   | ms   |
| T4        | 1000   | -    | -    | ms   |
| T5        | 500    | -    | -    | ms   |
| T6        | 100    | -    | -    | ms   |

### Attention:

- (1) The supply voltage of the external system for the open cell input should follow the definition of  $V_{CC}$ .
- (2) When the customer's backlight turns on before the LCD operation or the LCD turns off before the backlight turns off, the display may momentarily become abnormal screen.
- (3) In case that  $V_{CC}$  is in off level, please keep the level of input signals on the low or high impedance. If  $T2 < 0$ , that may cause electrical overstress.
- (4) T4 should be measured after the module has been fully discharged between power off and on period.
- (5) Interface signal shall not be kept at high impedance when the power is on.

## 5. Optical Characteristics

### 5.1 Measurement Conditions

The table below is the test condition of optical measurement.

| Item                  | Symbol  | Value       | Unit               |
|-----------------------|---|-------------|--------------------|
| Ambient Temperature   | $T_A$   | $25 \pm 2$  | $^{\circ}\text{C}$ |
| Ambient Humidity      | $H_A$   | $50 \pm 10$ | % RH               |
| Supply Voltage        | $V_{CC}$  | 12          | V                  |
| Driving Signal        | Refer to the typical value in Chapter 2: Electrical Specification |             |                    |
| Vertical Refresh Rate | $F_R$   | 60          | Hz                 |

To avoid abrupt temperature change during optical measurement, it's suggested to warm up the LCD module more than 45 minutes after lighting the backlight and in the windless environment.

To measure the LCD cell, it is suggested to set up the standard measurement system as Fig. 5.1. The measuring area  $S$  should contain at least 500 pixels of the LCD cell as illustrated in Fig.5.2 ( $A$  means the area allocated to one pixel). In this model, for example, the minimum measuring distance  $Z$  is 370 mm when  $\theta$  is 2 degree. Hence, 500 mm is the typical measuring distance. This measuring condition is referred to 301-2H of VESA FPDM 2.0 about viewing distance, angle, and angular field of view definition.

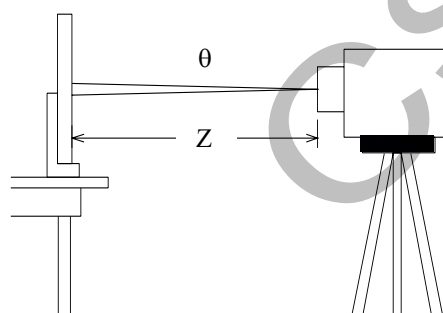


Fig. 5.1 The standard set-up system of measurement

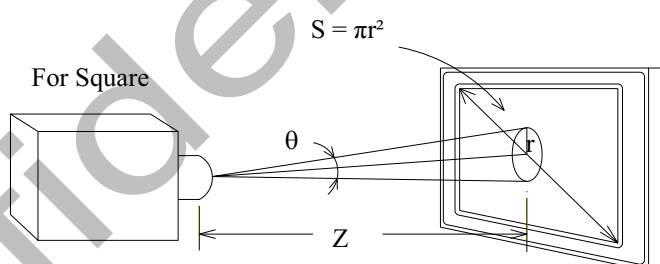


Fig. 5.2 The area  $S$  contains at least 500 pixels to be measured

$$N = \frac{S}{A} \geq 500\text{pixels}$$

$N$  means the actual number of the pixels in the area  $S$ .

## 5.2 Optical Specifications

The table below of optical characteristics is measured by MINOLTA CS2000, MINOLTA CA310, ELDIM OPTI Scope-SA and ELDIM EZ Contrast in dark room.

| Item                               |            | Symbol        | Condition  | Min.           | Typ.           | Max.   | Unit | Note    |
|------------------------------------|------------|---------------|--|----------------|----------------|--------|------|---------|
| Static Contrast Ratio              |            | CR            | $\theta_H = 0^\circ, \theta_V = 0^\circ$<br>Normal direction at<br>center point with<br>CSOT Module :<br>MT3151A03-1 | -              | 3000           | -      | -    | (1) (2) |
| Response Time                      |            | $T_L$         |  | -              | 6.5            | -      | ms   | (3)     |
| Center Transmittance               |            | $T\%$         |  | -              | 5.73           |        | %    | (2) (4) |
| Color<br>Chromaticity<br>(CIE1931) | Red        | $R_X$         |  | Typ.<br>- 0.03 | Typ.<br>+ 0.03 | 0.635  | -    | (2) (5) |
|                                    |            | $R_Y$         |  |                |                | 0.330  | -    |         |
|                                    | Green      | $G_X$         |  |                |                | 0.310  | -    |         |
|                                    |            | $G_Y$         |  |                |                | 0.625  | -    |         |
|                                    | Blue       | $B_X$         |  |                |                | 0.153  | -    |         |
|                                    |            | $B_Y$         |  |                |                | 0.044  | -    |         |
|                                    | White      | $W_X$         |  |                |                | 0.280  | -    |         |
|                                    |            | $W_Y$         | 0.290  |                |                | -      |      |         |
| Color Gamut                        |            | CG            | 68   | 72             | -              | % NTSC |      |         |
| Viewing Angle                      | Horizontal | $\theta_{H+}$ | -  | 89             | -              | Deg.   | (6)  |         |
|                                    |            | $\theta_{H-}$ | -  | 89             | -              |        |      |         |
|                                    | Vertical   | $\theta_{V+}$ | -  | 89             | -              |        |      |         |
|                                    |            | $\theta_{V-}$ | -  | 89             | -              |        |      |         |

Note:

(1) Definition of static contrast ratio (CR):

It's necessary to switch off all the dynamic and dimming function when measuring the static contrast ratio.

$$\text{Static Contrast Ratio (CR)} = \frac{\text{CR-W}}{\text{CR-D}}$$

CR-W is the luminance measured by LMD (light-measuring device) at the center point of the LCD module with full-screen displaying white. The standard setup of measurement is illustrated in Fig. 5.3; CR-D is the luminance measured by LMD at the center point of the LCD module with full-screen displaying black. The LMD in this item is CS2000.

(2) The LMD in the item could be a spectroradiometer such as (KONICA MINOLTA) CS2000, CS1000(TOPCON), SR-UL2 or the same level spectroradiometer. Other display color analyzer (KONICA MINOLTA) CA210, CA310 or (TOPCON) BM-7 could be involved after being calibrated with a spectroradiometer on each stage of a product.

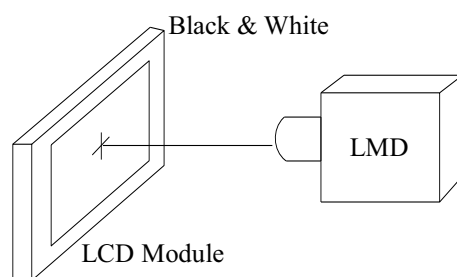
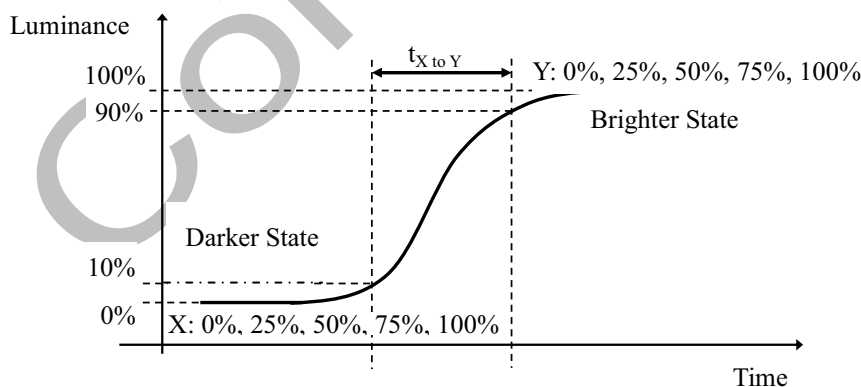


Fig. 5.3 The standard setup of CR measurement

(3) Response time  $T_L$  is defined as the average transition time in the response time matrix. The table below is the response time matrix in which each element  $t_{X \text{ to } Y}$  is the transition time from luminance ratio  $X$  to  $Y$ .  $X$  and  $Y$  are two different luminance ratios among 0%, 25%, 50%, 75%, and 100% luminance. The transition time  $t_{X \text{ to } Y}$  is defined as the time taken from 10% to 90% of the luminance difference between  $X$  and  $Y$  ( $X < Y$ ) as illustrated in Fig.6.4. When  $X > Y$ , the definition of  $t_{X \text{ to } Y}$  is the time taken from 90% to 10% of the luminance difference between  $X$  and  $Y$ . The response time is optimized on refresh rate  $F_r = 60\text{Hz}$ .

| Measured Transition Time         |      | Luminance Ratio of Previous Frame |                              |                              |                              |                              |
|----------------------------------|------|-----------------------------------|------------------------------|------------------------------|------------------------------|------------------------------|
|                                  |      | 0%                                | 25%                          | 50%                          | 75%                          | 100%                         |
| Luminance Ratio of Current Frame | 0%   |                                   | $t_{25\% \text{ to } 0\%}$   | $t_{50\% \text{ to } 0\%}$   | $t_{75\% \text{ to } 0\%}$   | $t_{100\% \text{ to } 0\%}$  |
|                                  | 25%  | $t_{0\% \text{ to } 25\%}$        |                              | $t_{50\% \text{ to } 25\%}$  | $t_{75\% \text{ to } 25\%}$  | $t_{100\% \text{ to } 25\%}$ |
|                                  | 50%  | $t_{0\% \text{ to } 50\%}$        | $t_{25\% \text{ to } 50\%}$  |                              | $t_{75\% \text{ to } 50\%}$  | $t_{100\% \text{ to } 50\%}$ |
|                                  | 75%  | $t_{0\% \text{ to } 75\%}$        | $t_{25\% \text{ to } 75\%}$  | $t_{50\% \text{ to } 75\%}$  |                              | $t_{100\% \text{ to } 75\%}$ |
|                                  | 100% | $t_{0\% \text{ to } 100\%}$       | $t_{25\% \text{ to } 100\%}$ | $t_{50\% \text{ to } 100\%}$ | $t_{75\% \text{ to } 100\%}$ |                              |

$t_{X \text{ to } Y}$  means the transition time from luminance ratio  $X$  to  $Y$ .

Fig. 5.4 The definition of  $t_{X \text{ to } Y}$ 

All the transition time is measured at the center point of the LCD module by ELDIM OPTI Scope-SA.

## (4) Definition of center Transmittance (T%):

The transmittance is measured with full white pattern (Gray 255)

$$\text{Static Contrast Ratio (CR)} = \frac{\text{Luminance of LCD module}}{\text{Luminance of Backlight}}$$

## (5) Definition of color chromaticity:

Each chromaticity coordinates (x, y) are measured in CIE1931 color space when full-screen displaying primary color R, G, B and white. The color gamut is defined as the fraction in percent of the area of the triangle bounded by R, G, B coordinates and the area is defined by NTSC 1953 color standard in the CIE color space. Chromaticity coordinates are measured by CS2000 and the standard setup of measurement is shown in Fig. 5.7.

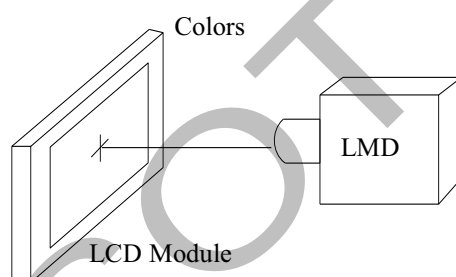


Fig. 5.5 The standard setup of color chromaticity measurement

(6) Definition of viewing angle coordinate system ( $\theta_H$ ,  $\theta_V$ ):

The contrast ratio is measured at the center point of the LCD module. The viewing angles are defined at the angle that the contrast ratio is larger than 10 at four directions relative to the perpendicular direction of the LCD module (two vertical angles: up  $\theta_{V+}$  and down  $\theta_{V-}$ ; and two horizontal angles: right  $\theta_{H+}$  and left  $\theta_{H-}$ ) as illustrated in Fig. 5.8. The contrast ratio is measured by ELDIM EZ Contrast.

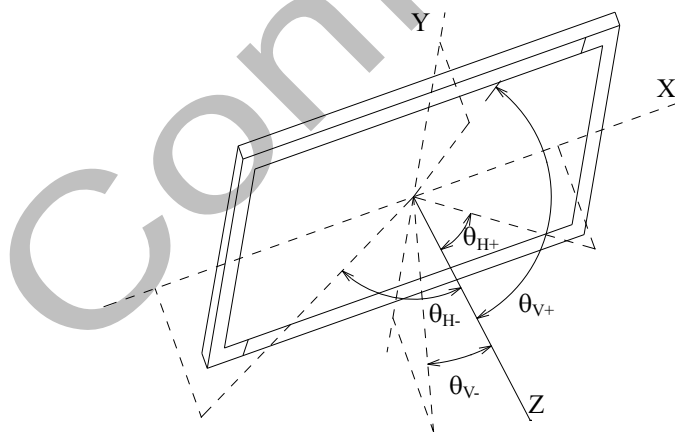
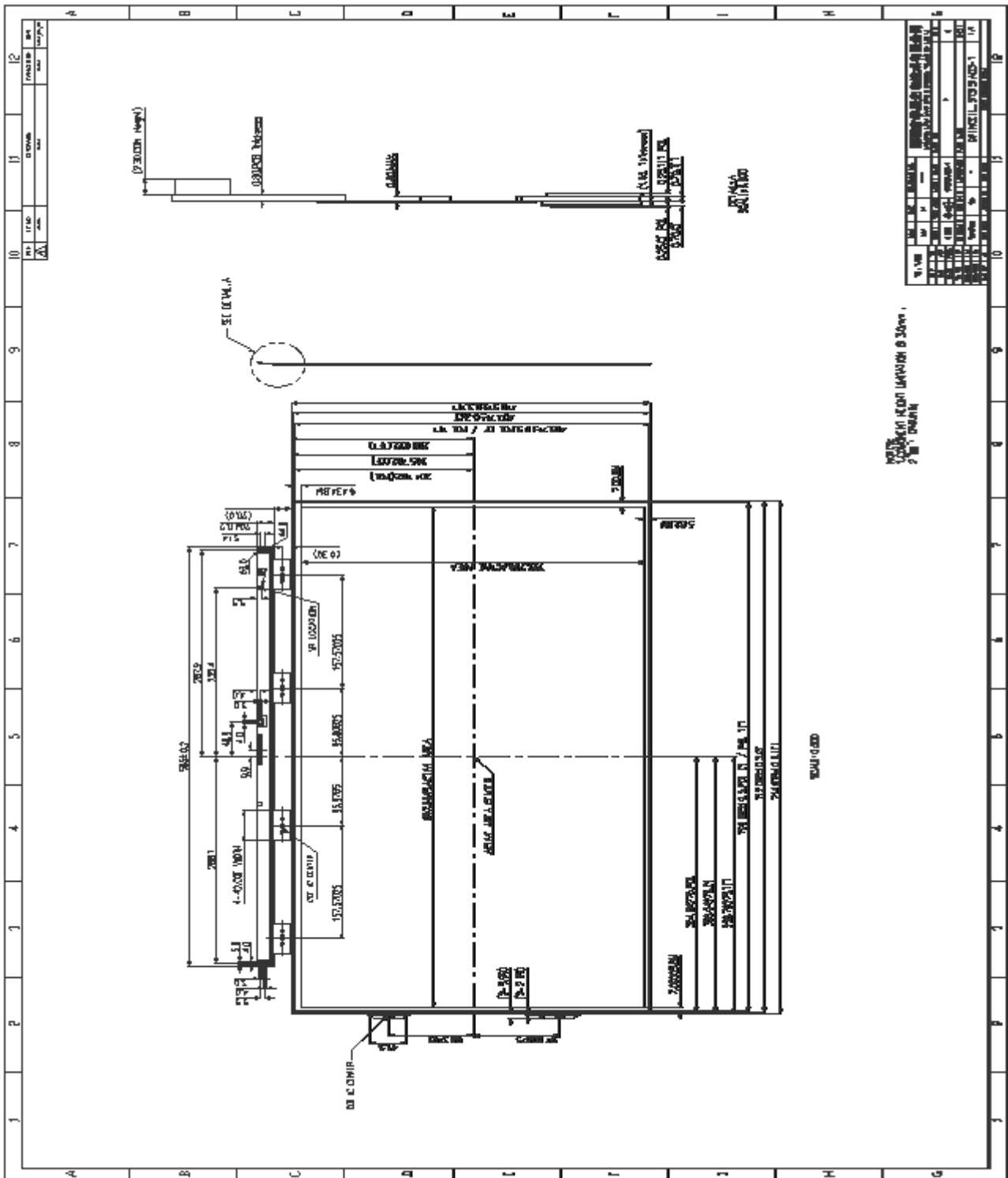


Fig. 5.6 Viewing angle coordination system

## 6. Mechanical Characteristics

### 6.1 Mechanical Specification



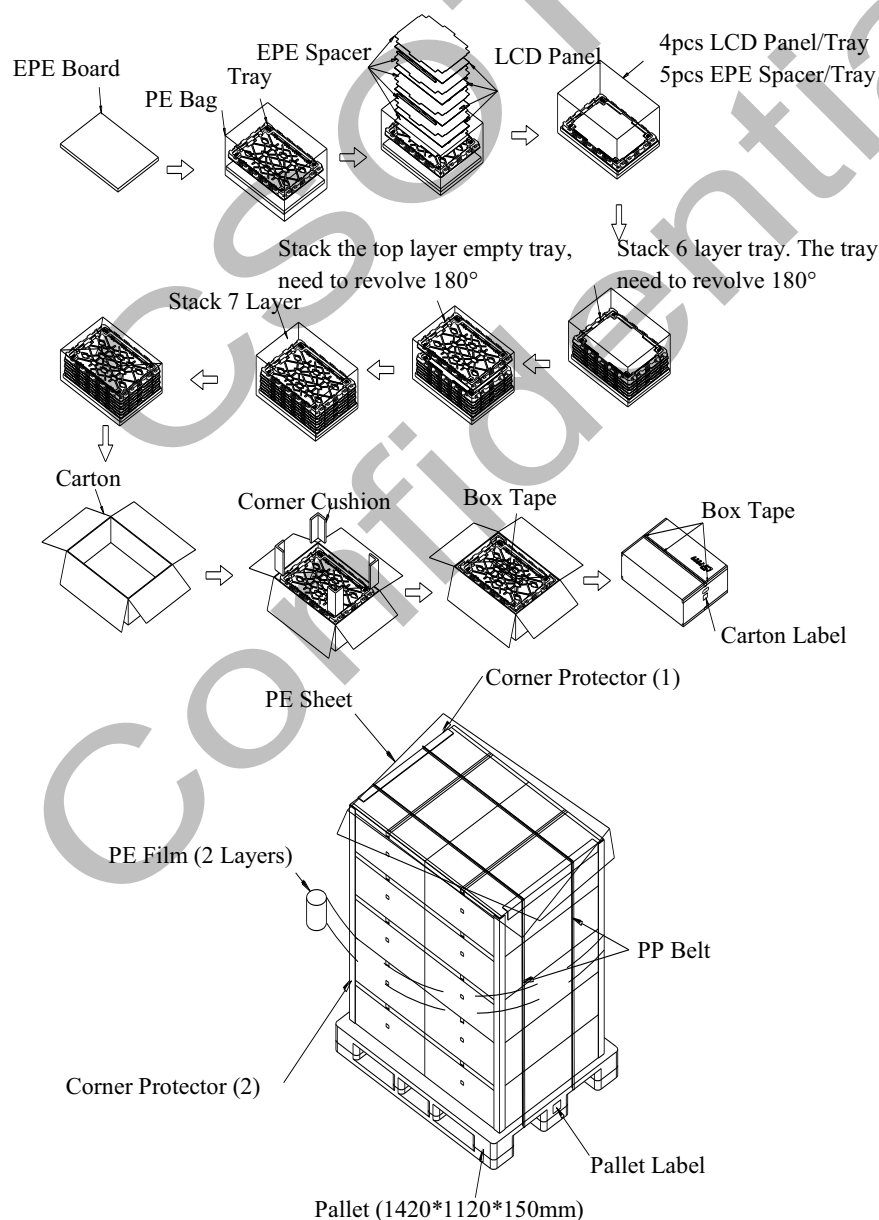


## 6.2 Packing

### 6.2.1 Packing Specifications

| Item                 | Specification     |   |  |
|----------------------|-------------------|---|--|
|                      | Quantity          | Dimension (mm)                          | Weight (kg)  |
| Packing Box          | 24 pcs / box      | 923.00 (L) x 663.00 (W) x 252.00 (H)    | Net Weight: 28.20 (Max.)<br>Gross Weight: 40.00 (Max.) |
| Pallet               | 1                 | 1420.00 (L) x 1120.00 (W) x 150.00 (H)  | Net Weight: 33   |
| Stack Layer          | 5                 |   |  |
| Boxes per Pallet     | 10 boxes / pallet |   |  |
| Pallet after Packing | 240 pcs / pallet  | 1420.00 (L) x 1120.00 (W) x 1413.00 (H) | Gross Weight: 434                                      |

### 6.2.2 Packing Method



## 7. Definition of Labels

### 7.1 Open Cell Label

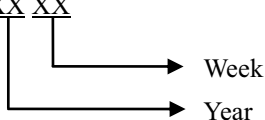


For RoHS compatible products, CSOT will add RoHS for identification.

Model Name: ST3151A03-1

Ver.X.X: Version, for example: 0.1, 0.2, ... , 1.1, 1.2, ..., 2.1, 2.2, ...

WC (Week Code): XX XX



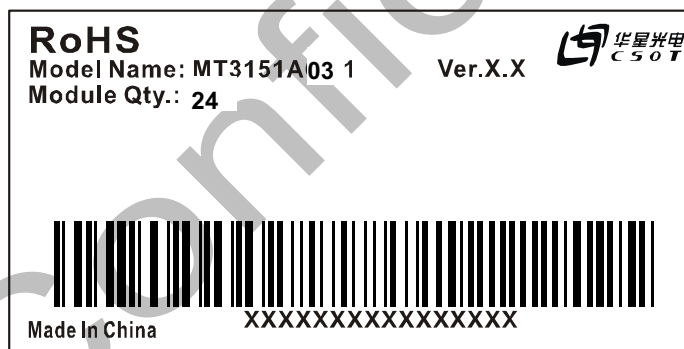
Year: 2010 = 10, 2011 = 11 ... 2020 = 20, 2021 = 21...

Week: 01, 02, 03 ...

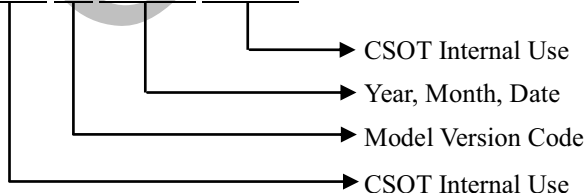
Serial Number: XXXXXXXXXXXXXX XXXXXXXXXX



### 7.2 Carton Label



Serial Number: XXXX XX XXXXXX XXXXXX



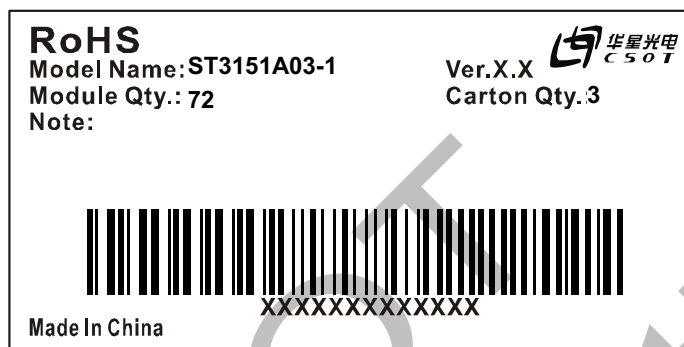
**Manufactured Date:**

Year: 2010 = 10, 2011 = 11...2020 = 20, 2021 = 21...

Month: 1~9, A~C, for Jan. ~ Dec.

Date: 01~31, for 1st to 31st

Model Version Code: Version of product, for example: 01, 02, 11, 12...

**7.3 Pallet Label**

Serial Number: XXX XX XXX XXXXX

- CSOT Internal Use
- Year, Month
- Model Version Code
- CSOT Internal Use

## 8. Precautions

### 8.1 Assembly and Handling Precautions

- (1) Do not apply rough force such as bending or twisting to the open cell during assembly.
- (2) It is recommended to assemble or install a open cell into the user's system in clean working areas. The dust and oil may cause electrical short or damage the polarizer.
- (3) Do not apply pressure or impulse to the open cell to prevent the damage to the open cell.
- (4) Always follow the correct power-on sequence. This can prevent the damage and latch-up to the LSI chips.
- (5) Do not plug in or pull out the interface connector while the open cell is in operation.
- (6) Use soft dry cloth without chemicals for cleaning because the surface of polarizer is very soft and easily be scratched.
- (7) Moisture can easily penetrate into the open cell and may cause the damage during operation.
- (8) High temperature or humidity may deteriorate the performance of the open cell. Please store open cell in the specified storage conditions.
- (9) When ambient temperature is lower than 10 °C, the display quality might be deteriorated. For example, the response time will become slow.

### 8.2 Safety Precautions

- (1) If the liquid crystal material leaks from the panel, it should be kept away from the eyes or mouth. In case of contact with hands, skin or clothes, it has to be washed away thoroughly with soap.
- (2) After the Open cell end of life, it is not harmful in case of normal operation and storage.