



L.O.U.I.S - LOW COST USB ISDN SOLUTION

PRODUCT PREVIEW

HARDWARE FEATURES

S/T ISDN Interface

- SUPPORTS OSI LEVEL 1 IN CONFORMANCE WITH UIT-T I.430 FOR BASIC ACCESS AT S AND T INTERFACES (ETSI 300012/ANSI T1.605)
- LINE INTERFACE TRANSFORMER DIRECT DRIVE
- FULL-DUPLEX TRANSMISSION AT 192KBps ON SEPARATE TRANSMIT AND RECEIVE TWISTED PAIRS USING ALTERNATE MARK INVERSION (AMI) LINE CODING
- 2 B CHANNELS AT 64KBps EACH PLUS 1 D CHANNEL AT 16KBps
- ALL I.430 WIRING CONFIGURATIONS SUPPORTED INCLUDING PASSIVE BUS FOR TE'S DISTRIBUTED POINT TO POINT AND POINT TO MULTIPOINT
- MULTIFRAME SUPPORT
- ANALOG PART: INCLUDED WITH ADAPTIVE DETECTION THRESHOLD AND EQUALIZER

USB Interface

- USB 1.0 SPECIFICATION FULL COMPLIANCE, 1.1 SPECIFICATION COMPATIBILITY (1.1 POWER MANAGEMENT COMPLIANCE), 12 MBps FULL SPEED
- ON-CHIP USB TRANSCEIVER WITH DIGITAL PLL
- 6 ISOCHRONOUS ENDPOINTS FOR B1, B2, D CHANNELS DATA INTERRUPT ENDPOINT FOR I430
- ISDN PROTOCOL AND DATA CONTROL ENDPOINT FOR USB STANDARD PLUS VENDOR SPECIFIC REQUEST

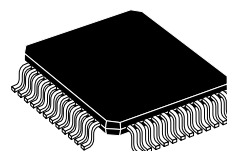
- COMMUNICATION DEVICE CLASS AND VENDOR REQUESTS
- BUS OR SELF POWERED APPLICATION (PIN PROGRAMMABLE)
- ONNOW POWER MANAGEMENT (D0,D2,D3) SUSPEND MODE COMPLIANCE
- PIN PROGRAMMABLE HIGH/LOW POWER USB DEVICE REGISTRATION, WAKE-UP CAPABILITY, USB DEVICE IDENTIFICATION

GENERAL

- USB hot plug and play interface.
- Control access and interrupt handling provided through the USB interface.
- All FIFOS and FIFOS management needed included for USB/ISDN data processing.
- Internal PLL to generate the USB 48MHz clock from a 15.36MHz crystal.
- Internal regulator for 3.3V generation from USB bus 5V.
- 48 pin TQFP package.
- 0.35 micron HCMOS 6 process.

DESCRIPTION

ST5481 combines ISDN link access and an USB interface to allow a very simple USB/ISDN modem design with all ISDN protocols and upper applications processed into the HOST PC.



TQFP48

ORDERING NUMBER:
ST5481 TQF7

1 - GENERAL PURPOSE

The ST5481 is a single chip ISDN -BRI with USB Interface low cost controller. The purpose is a low cost ISDN modem for applications like INTERNET ACCES and FAX capabilities when the PC is ON (full operating mode). The bonus is to offer an easy and lowcost access to INTERNET at a rate of 128kbits/sec. EASY access due to plug and play features via USB bus and lowcost due to host processing concept and remote powering via USB bus features.

2 - MAIN FUNCTIONS

The device controls the S0 ISDN basic rate access (ITU normalization I430) and manages the B1, B2, D channels through the USB bus. B1, B2, D channels data flow is regulated through FIFO memories of respectively 32, 32, 16 bytes in each direction. On D, B1, B2 channels, all upper protocols than basic HDLC framing protocol are host processed from upper-datalink protocol (I440 normalization), network protocol up to

applications drivers. Link Activation, deactivation protocols (I430) is managed by the device. But the full handling of the command and indicate primitives is done by the host processor accessing to dedicated registers. Call setup signalling frames through D channel are managed by the host processor.

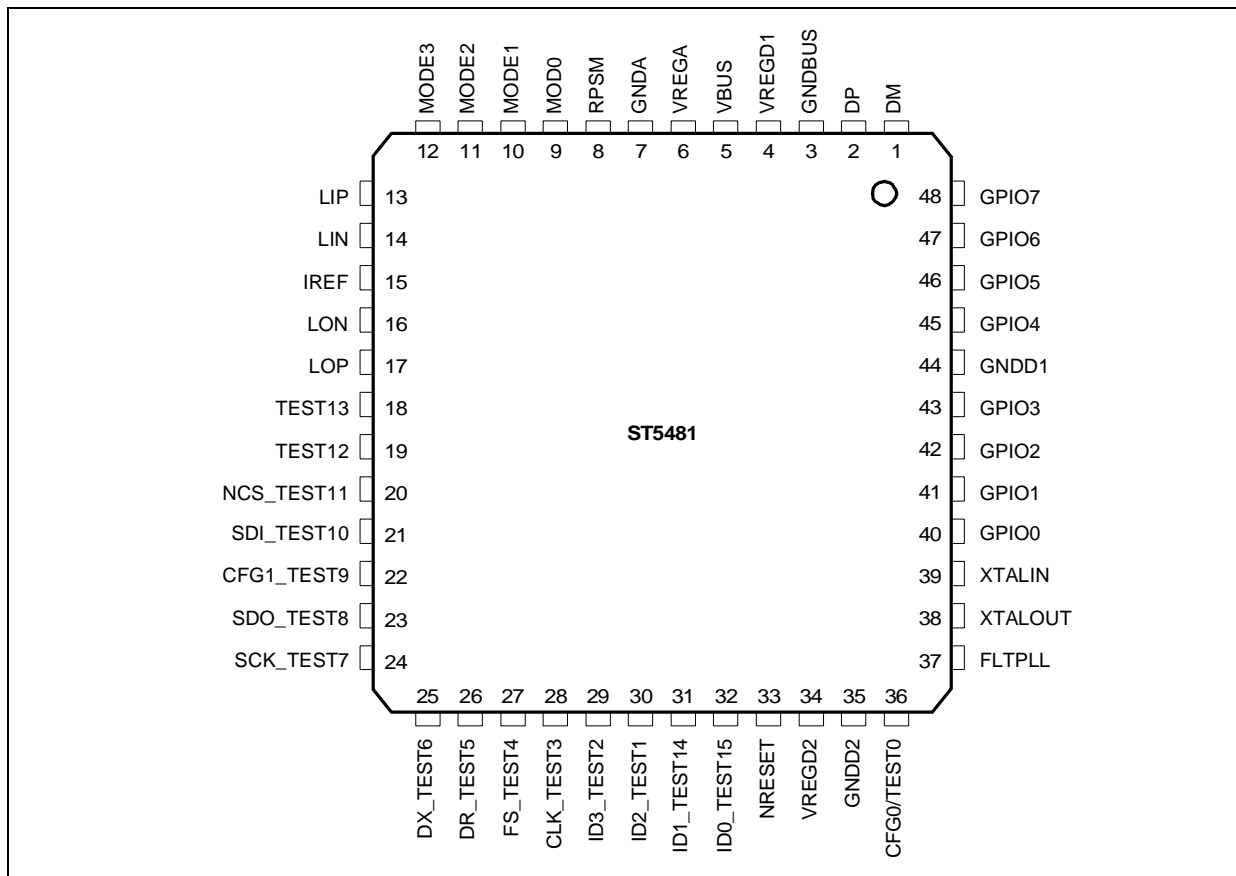
Internal regulators can be enabled to feed the device (and external devices) via the GNDBUS, VBUS USB powering lines. They convert the USB 5 volts to 3.3 volts.

The device respects the USB release 1.0 power management recommendations. When entered in suspend mode on USB side the device drop into a low power mode. An internal oscillator and a PLL provide from an external 15.36MHz crystal a 48MHz clock for USB data rate recovering and 15.36MHz clock for S interface.

The device offers one operating mode called CLOSED mode plus several test modes. In CLOSED MODE the device presents the USB interface, the S interface and 8 GPIO pins.

3 - PIN-OUT

Figure 1 : Pin-out Synoptic



3.1 - Pin List

Pin	Name	Type	Function
1	DM	I/O	Negative USB differential data line
2	DP	I/O	Positive USB differential data line
3	GNDBUS	I	USB remote ground
4	VREGD1	I/O	Digital input/ output regulated supply, is an input when RPSM is tied to a logic zero value
5	VBUS	I	USB remote positive supply 5 volts.
6	VREGA	I/O	3.3V input/ output analog regulated supply, is an input when RPSM is tied to a logic zero value
7	GND A	I	Analog ground
8	RPSM	I	REMOTE POWER SUPPLY MODE: when tied to a logic zero value the device is self powered
9	MODE0	I	Static configuration pin. Used for working modes and test modes programming
10	MODE1	I	Static configuration pin. Used for working modes and test modes programming
11	MODE2	I	Static configuration pin. Used for working modes and test modes programming
12	MODE3	I	Static configuration pin. Used for working modes and test modes programming
13	LIP	In analog	Receive AMI signal differential positive inputs from the S line
14	LIN	In analog	Receive AMI signal differential negative input from the S line
15	IREF	In analog	External current reference (connected to an external resistor)
16	LON	Out analog	Transmit AMI signal differential negative output to the S line
17	LOP	Out analog	Transmit AMI signal differential positive output to the S line
18	TEST13	Out analog	Analog test pin: AOPTTEST1
19	TEST12	Out analog	Analog test pin: AOPTTEST2
20	TEST11	I/O	Test pin
21	TEST10	I/O	Test pin
22	TEST9	I/O	Test pin
23	TEST8	I/O	Test pin
24	TEST7	I/O	Test pin
25	TEST6	I/O	Test pin
26	TEST5	I/O	Test pin
27	TEST4	I/O	Test pin
28	TEST3	I/O	Test pin
29	ID3_TEST2	I/O	Either ID product bit 2 for USB descriptor either test pin
30	ID2_TEST1	I/O	Either ID product bit 3 for USB descriptor either test pin
31	ID1_TEST14	I	Either ID product bit 1 for USB descriptor either test pin
32	ID0_TEST15	I	Either ID product bit 0 for USB descriptor either test pin
33	NRESET	I	Initialisation input pin, zero active.
34	VREGD2	I	Digital input supply, must be connected to VREGD1

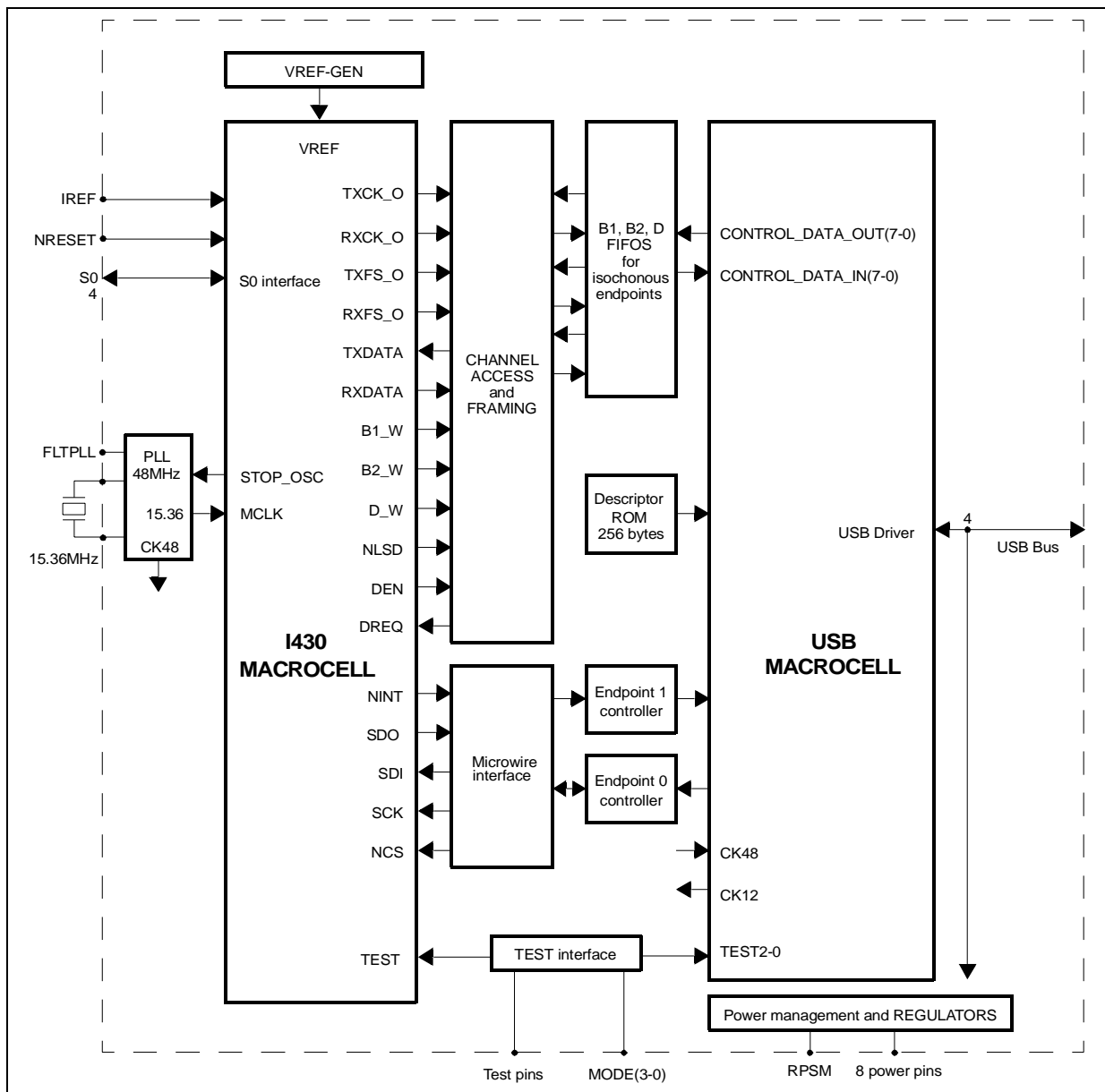
Pin	Name	Type	Function
35	GNDD2	I	Digital ground
36	CFG0_TEST0	I/O	CFG0 input for configuration when closed or open mode else test9
37	FLTPLL	In analog	Used to adjust the internal PLL filter
38	XTALOUT	O	Tied to 15.36MHz external crystal
39	XTALIN	I	Tied to 15.36MHz external crystal
40	GPIO0	I/O	General purpose input-output pin 2mA
41	GPIO1	I/O	General purpose input-output pin 2mA
42	GPIO2	I/O	General purpose input-output pin 2mA
43	GPIO3	I/O	General purpose input-output pin 2mA
44	GNDD1	I	Digital ground
45	GPIO4	I/O	General purpose input-output pin 4mA
46	GPIO5	I/O	General purpose input-output pin 4mA
47	GPIO6	I/O	General purpose input-output pin 4mA
48	GPIO7	I/O	General purpose input-output pin 4mA

3.2 - PLL

An internal oscillator provides a 15.36MHz clock for S interface from an external 15.36MHz crystal. From this clock, the analog block PLL provides a 48MHz clock for USB data rate recovering.

4 - SYNOPTIC

Figure 2 : Global Synoptic



5 - ISDN ACCESS

The device is directly connected to the ISDN line at S0 interface point.

4 pins are dedicated to this access:

LIP, LIN: receive AMI differential signals inputs connected to the appropriate transformer LOP, LON: transmit AMI differential signals outputs connected to the appropriate transformer.

The S interface access sub-function is clock-fed by a 15.36MHz clock signal from the on-chip oscillator.

I431 recommendation protocols are fully implemented.

The activation / deactivation command management is done by the device.

5.1 - ISDN S Interface Synoptic

See Figure 3.

6 - USB ACCESS

The device is directly connected to the USB bus.

4 pins are dedicated to this access:

DP, DM for data exchange. VBUS, GNDBUS as power lines.

The data transfer rate is 12 Mbits. The clock is extracted from the differential lines DP, DM by a digital PLL from a 48MHz internal clock. This 48MHz clock is created from the 15.36MHz clock.

The USB protocol is fully implemented following the 1.0 USB specification.

6.1 - USB Normalization

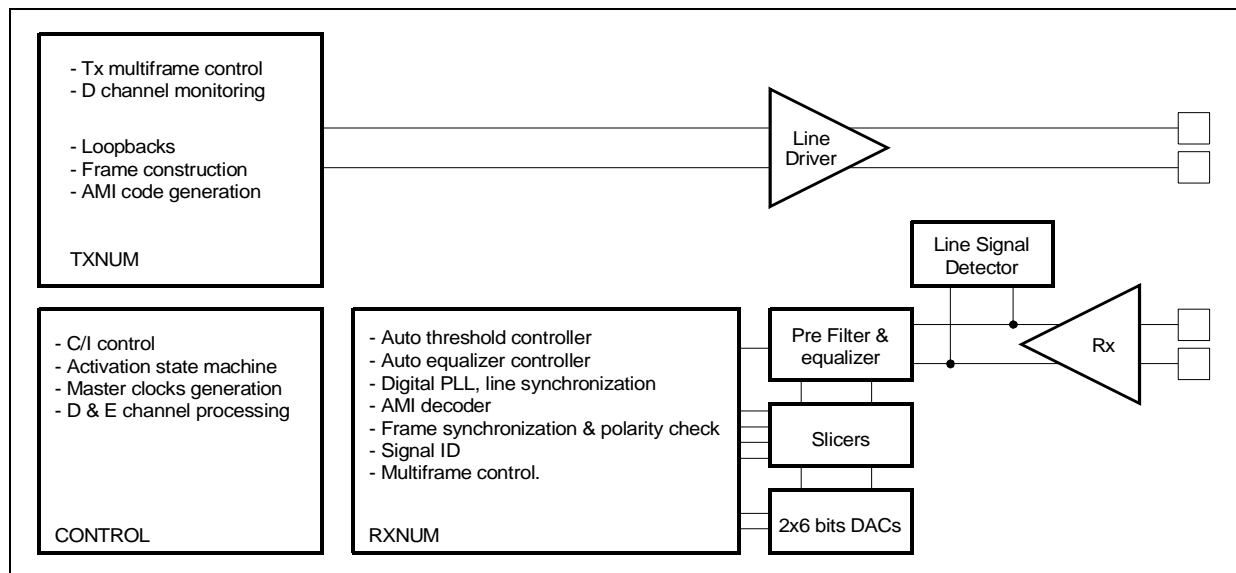
This specification refers to USB normalization documents:

- Universal Serial Bus Specification revision 1.0
- Universal Serial Bus Common Class Specification revision 1.0
- ST5481 belongs to the VENDOR SPECIFIC DEVICE CLASS and to a vendor specific subclass defined as ISDN MODEM DEVICE SUBCLASS.

It presents ONE INTERFACE belonging to the VENDOR SPECIFIC INTERFACE CLASS and a vendor specific interface subclass defined as ISDN SOFT MODEM INTERFACE SUBCLASS.

It satisfies to a vendor specific control protocol called ISDN SOFT MODEM PROTOCOL.

Figure 3 : S-Interface Block Diagram



7 - POWER MANAGEMENT

The device can be supplied by the USB bus power lines VBUS (5 volts) and GNDBUS (ground). This is enabled when RPSM (remote power supply mode) is at logic one. Then on-chip regulators bring 3.3 volts to internal analog and digital blocks. When RPSM is high, a supply is brought to external devices through pins GNDD1, VREGD1, GNDD2, VREGD2, GNDA, VREGA.

Figure 4 : Bus-Powered Mode (RPSM=1)

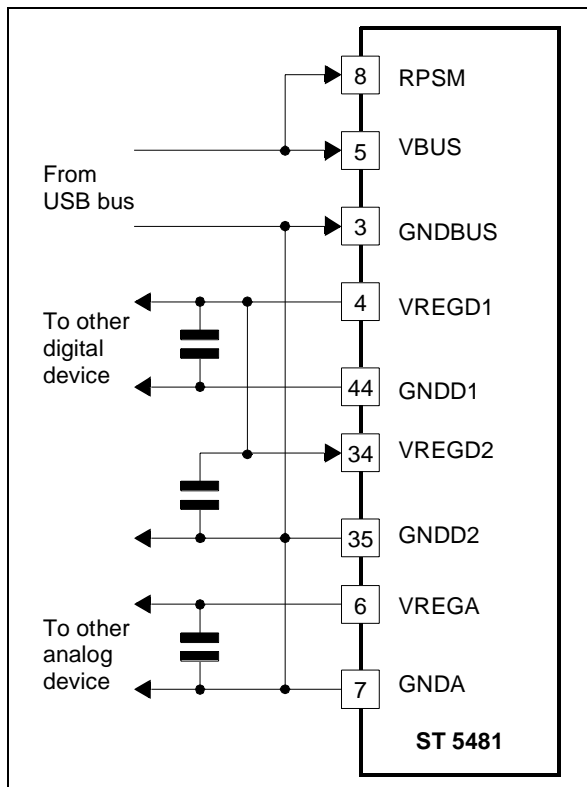
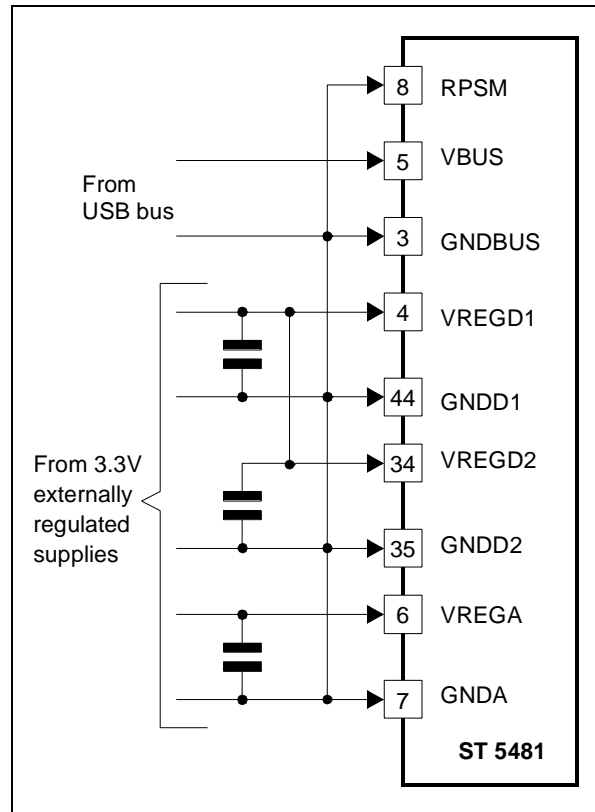


Figure 5 : Self Powered Mode (RPSM=0)



The power budgeting is done by the host when initializing the pipe:

The needed information (maximum power consumption) is adjusted through pins CFG0, CFG1 and "as well as RPSM for "remote wake up ability" information.

The following mechanism is used to do "a get description device".

The host gets back the configuration of the device either a low power device, either a high power device (max power parameter higher than 100mA). Being a high power device allows to set on a wake up ability because looking for a line signal detection consume more than 500uA allowed for a low power device when in a suspend state.

To adjust the maximum power consumption parameter into the configuration descriptor, the logical values present on pins CFG0, CFG1, RPSM are used (see Table 1).

At power on, the digital regulator is immediately ON and after 100µs the analog regulator is authorized to feed the internal oscillator.

- Initialization and clocks management.
- A HARDWARE PIN RESET is done through pin NRESET (active low).

- A delay of 4.5ms is introduced before distributing the clocks to the internal functions.
- A USB HARDWARE RESET is done through DP, DM pins. This reset affects the USB interface, resetting the USB core state machines. It does not affect the application (S interface, registers, fifos).

A USB SOFTWARE RESET is done through USB bmRequest SET_DEFAULT. It brings the S interface, application registers, application state machines and fifos pointers to default state.

When the device goes out of SUSPEND_CLOCK state, a delay of 4.5ms is introduced before distributing the clocks to the internal functions.

When the device enters into a suspend mode due to inactivity on USB bus, the oscillator is stopped in order to save power except if FCONF(3) is equal to 1.

Table 1 : Maximum Power Current and Wake up Ability Coding

Max Power Current	High/Low Power	Wake Up Ability	CFG1	CFG0	RPSM	Bm Attributes ROM add 27	Max Power ROM add 28
100 mA	LO	NO	0	0	1	80	32
150 mA	HI	NO	0	1	1	80	96
150 mA	HI	YES	1	0	1	A0	96
250 mA	HI	YES	1	1	1	A0	F9
100 mA	LO	NO	0	0	0	C0	32
150 mA	HI	NO	0	1	0	C0	96
150 mA	HI	YES	1	0	0	E0	96
250 mA	HI	YES	1	1	0	E0	F9

8 - DEVICE STATES

The device complies with USB rev 1.1 power management requirements.

It complies with I430 power management requirements.

Due to inactivity on the USB bus for more than 3 ms, the device may enter into the SUSPEND mode even if Reset signalling is not done yet.

The ST5481 recovers activity within the 15ms of the resume signalling issued by the host or hub.

If wake up is enabled and occurs, the ST5481 recovers activity within the 15ms when it initiates the resume (K state) and about the same time the host or hub initiates a Reset (SEO for 10 ms).

Wake up ability concerns wake up of the USB bus (resume event when the bus is in a suspend state) from the S line through a line signal detection done by the S interface.

Interface S states and relationship with Device versus USB States.

M1: QUIET mode (initial mode if CFG1 = 0).

It means that S interface cannot be activated neither by the host nor by a detection of signal on line. This signal detection is disabled. The 15MHz oscillator is not addressed to MACRO-S

M2: ACTIVE Mode.

When the device is in S6,S7,S8,S9 states from USB point of view, the S interface may be in this state, then it can be deactivated by a PDN primitive (from host) or a hardware power down which is generated by a suspend event on USB bus

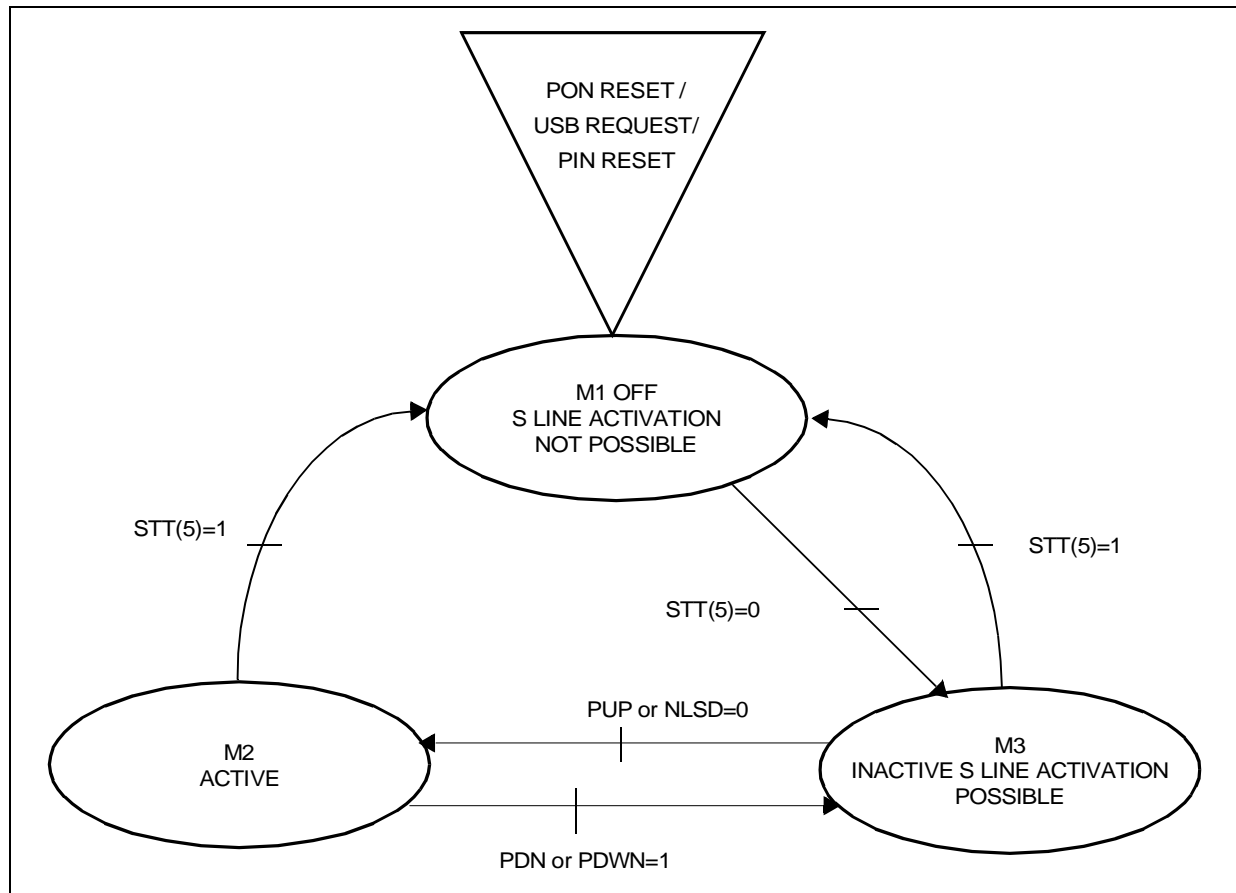
M3: INACTIVE Mode (initial mode if CFG1 = 1).

The line signal detection is enabled. Then it can be activated (go to state ACTIVE) by a line signal detection.

When USB is suspended, The S interface will really be in the active mode once a resume signalling has been done on USB bus after the NLSD signal became active.

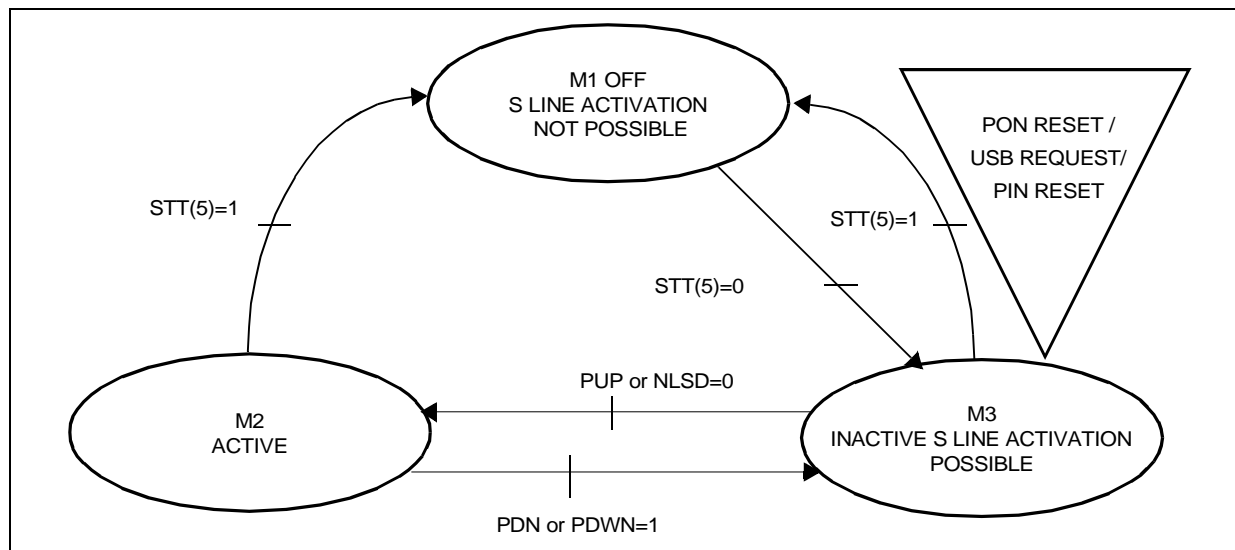
When USB is configured, a transition from this mode to ACTIVE mode is obtained with a PUP primitive (from host).

Figure 6 : S Interface States - CFG1=0



If Pin CFG1 is 1, when reset (PON,USB,PIN) is active the initial state is INACTIVE.

Figure 7 : S Interface States - CFG1=1



9 - ENDPOINTS CONFIGURATION AND DEDICATION

These endpoints are organized as one interface (interface 0), one configuration (configuration 1).

The interface being composed of four alternate settings. Hereafter in the document RX data direction is from S line to PC and is considered as IN by USB protocol.

The endpoints are:

- 4 isochronous endpoints for B1 and B2 channels (fifo 32 bytes in each direction)
- EP3 input endpoint for B1 channel IN(RX) on S line
 - associated to IN(RX) fifo 32 bytes
- EP2 output endpoint for B1 channel OUT(TX) on S line
 - associated to OUT(TX) fifo 32 bytes
- EP5 input endpoint for B2 channel IN(RX) on S line
 - associated to IN(RX) fifo 32 bytes
- EP4 output endpoint for B2 channel OUT(TX) on S line
 - associated to OUT(TX) fifo 32 bytes
- 2 isochronous endpoints for D channels (fifo 16 bytes in each direction)
- EP7 input endpoint for D channel IN(RX) on S line
 - associated to IN(RX) fifo 16 bytes
- EP6 output endpoint for D channel OUT(TX) on S line
 - associated to OUT(TX) fifo 16 bytes

- 1 control endpoint means management of USB standards, Communication Device Class (CDC) standards (unused), and vendor requests (S interface application dedicated):

- EP0
 - internal configuration and control registers
 - D, B1, B2 channels transmit commands
 - CI primitives to be transmitted
- 1 interrupt endpoint used for vendor interrupts
- EP1
 - channels reception or transmission indications
 - CI primitives in receive direction
 - D, B1, B2 channel reception indications
 - S line status
 - GPIO input changes

The alternate settings are:

- Alternate setting 0: EP0, EP1.
 - initialisation configuration
- Alternate setting 1: EP0, EP1, EP2, EP3, P6, EP7
 - connection 64Kbits through B1 channel
- Alternate setting 2: EP0, EP1, EP4, EP5, EP6, EP7
 - connection 64Kbits through B2 channel
- Alternate setting 3: EP0, EP1, EP2, EP3, EP4, EP5, EP6, EP7
 - connection 128Kbps (144Kbits/sec) through B1 + B2 + (data into D) channels

USB Descriptors

During the USB request GET_DESCRIPTOR, the device returns these values from an internal 256 byte ROM.

Table 2 : Device Descriptor

ROM addr	Offset	Field	Size	Value	Description
08	0	bLengh	1	12h	Size of this descriptor in bytes
09	1	bDescriptorType	1	01h	Device Descriptor type
0A	2	bcdUSB	2	0101h	USB spec release number 1.1
0C	4	bDeviceClass	1	FFh	Vendor Specific Class code
0D	5	bDeviceSubClass	1	01h	Vendor specific ISDN MODEM subclass
0E	6	bDeviceProtocol	1	01h	Vendor specific ISDN SOFT MODEM control protocol
0F	7	bMaxPacketSize0	1	08h	Max packet size for EP0
10	8	idVendor	2	0483h	ST id vendor
12	10	idProduct	2	481xh	Application id product ¹
14	12	bcdDevice	2	01xxh	Device release ²
16	14	iManufacturer	1	00h	No specific manufacturer registered
17	15	iProduct	1	01h	product id String descriptor index 1
18	16	iSerialNumber	1	00h	No specific serial number registered
19	17	bNumConfigurations	1	01h	Number of possible configurations

Notes 1. This word represents the hardware-software association. The value is programmable through 4 of the 16 bits. the lower bits values are defined by pins ID3 to ID0.

2. This word represents the silicon hardware. The lower 8-bit value is defined at metal layer. The other 8 bits are written into the ROM at diffusion layer.

Table 3 : Interface 0 as 0 Descriptor

ROM addr	Offset	Field	Size	Value	Description
20	0	bLengh	1	09h	Size of this descriptor in bytes
21	1	bDescriptorType	1	02h	Configuration Descriptor type
22	2	wTotalLengh	2	00CFh	Total length of data byte returned for this configuration
24	4	bNumInterface	1	01h	number of interfaces supported by this configuration
25	5	bConfigurationValue	1	01h	value used to select this conf.
26	6	iConfiguration	1	00h	No specific string descriptor for this configuration
27	7	bmAttributes	1	XXh	Self powered and remote wake-up abilities programmable ¹
28	8	MaxPower	1	XXh	max consumption programmable ¹

Note 1. Theses words are defined by a transcoding of the pins CFG0, CFG1, RPSM : see power management section for coding of these pins.

10 - ELECTRICAL SPECIFICATIONS

Unless otherwise stated, electrical characteristics are specified over the operating range.
Typical values are given for VBUS = +5V, VregA = 3.3V, VregD1 = VregD2 = 3.3V, Tamb = 25°C

10.1 - Absolute Maximum Rating

Table 4 : Absolute maximum ratings

Symbol	Parameter	Value	Unit
VBUS	5V Power Supply Voltage	5.5V	V
VREGD1	3.3V Power Supply Voltage ¹	-0.3V to 3.6V	V
VREGD2	3.3V Power Supply Voltage ¹	-0.3V to 3.6V	V
VREGA	3.3V Power Supply Voltage ¹	-0.3V to 3.6V	V
V _{IA}	Analog Input Voltage ²	-0.3 to V _{REGA} + 0.3V	V
V _{ID}	Digital Input Voltage	-0.3 to V _{REGDX} + 0.3V	V
V _{ID}	Digital Input Voltage on RPSM	-0.5 to VBUS + 0.3V	V
T _{oper}	Operating Temperature	0, +70	°C
T _{stg}	Storage Temperature	-55, +125 °C	°C

Notes GNDA = GNDD1 = GNDD2 = GNDBUS = 0V

Warning : Operation beyond these limits may result in permanent damage to the device. Normal operation is not guaranteed at these extremes.

1. In Remote Power Supply Mode (RPSM=0)

2. For the ISDN S side access "LOP,LON,LIP,LIN" pins the voltage level can temporary exceed the maximum rating due to the phone line conditions. To prevent any damage to the circuit, an external protection circuit must be implemented according to the application schematics.

10.2 - Nominal DC Characteristics

(Ta = 0 to 70°C unless otherwise specified)

Table 5 : Nominal DC characteristics

Symbol	Parameter	Minimum	Typical	Maximum	Unit
VBUS	Supply voltage	4	5	5.25	V
I _{vdd}	Supply Current (RPSM=1)		TBD	TBD	mA
I _{vdds}	Supply Current in Suspended Mode (RPSM=1)			TBD	mA
VREGA	Analog regulated OUTPUT power supply (RPSM=1) Analog regulated INPUT power supply (RPSM=0)	3.3-5%	3.3	3.3+5%	V
VREGD1	Digital regulated OUTPUT power supply (RPSM=1) Digital regulated INPUT power supply (RPSM=0)	3.3-5%	3.3	3.3+5%	V
VREGD2	Digital regulated INPUT power supply ¹	3.3-5%	3.3	3.3+5%	V
I _{vregA}	Analog regulated OUTPUT current (RPSM=1) Analog regulated INPUT current (RPSM=0)		TBD	40	mA
I _{vregD1}	Digital regulated OUTPUT current (RPSM=1) Digital regulated INPUT current (RPSM=0)		TBD	40	mA
I _{vregD2}	Digital regulated INPUT current ¹			TBD	mA
P _{DLP}	Low Power mode (Suspended mode)		TBD		mW
P _D	Operating Power		TBD		mW

Note 1. VREGD2 is always an analog power input, to be connected to VREGD1

A 2.2 μ F decoupling polarized capacitor (tantal or chemical) is necessary as between VREGA and GNDA.

A 1 μ F decoupling polarized capacitor (tantal or chemical) is necessary as between VREGD1 and GNDD1.

A 1 μ F decoupling polarized capacitor (tantal or chemical) is necessary as between VREGD2 and GNDD2.

Table 6 : Digital Pins (except GPIO4 to GPIO7,XTALin, XTALout, RPSM, NRESET)

Symbol	Parameter	Minimum	Typical	Maximum	Unit
V _{IL}	Low level input voltage			0.2V _{RegD1}	V
V _{IH}	High level input voltage	0.8V _{RegD1}			V
V _{OL}	Low level input voltage (I _{load} = 2mA)			0.4	V
V _{OH}	High Level Output Voltage (I _{load} = -2mA)	0.85V _{RegD1}			V
I _{LEAK}	Input Leakage Current			1	μ A
I _{OL}	Low level input Current (0<V _{ol} <V _{olmax})	-2			mA
I _{OH}	High Level Output Current (V _{ohmin} <V _{of} <V _{regD1})			2	mA
V _{HYST}	Schmitt Trigger Hysteresis	0.8			V
C _{IN}	Input Capacitance		3		pF

Table 7 : GPIO4, GPIO5, GPIO6, GPIO7.

Symbol	Parameter	Minimum	Typical	Maximum	Unit
V _{IL}	Low level input voltage			0.2V _{RegD1}	V
V _{IH}	High level input voltage	0.8V _{RegD1}			V
V _{OL}	Low level input voltage (I _{load} = 2mA)			0.4	V
V _{OH}	High Level Output Voltage (I _{load} = -2mA)	0.85V _{RegD1}			V
I _{LEAK}	Input Leakage Current			1	μ A
I _{OL}	Low level input Current (0<V _{ol} <V _{olmax})	-4			mA
I _{OH}	High Level Output Current (V _{ohmin} <V _{of} <V _{regD1})			4	mA
V _{HYST}	Schmitt Trigger Hysteresis	0.8			V
C _{IN}	Input Capacitance		3		pF

Table 8 : RPSM, NRESET.(5 volt inputs compatible)

Symbol	Parameter	Minimum	Typical	Maximum	Unit
V _{IL}	Low level input voltage			0.3V _{BUS}	V
V _{IH}	High level input voltage	0.7V _{BUS}			V
V _{HYST}	Schmitt Trigger Hysteresis	1	1.3		V

Note A 10ms time constant will be used (ex: 470 nF, 20 Ω) to generate an adequate pulse on NRESET pin.

Table 9 : Crystal Oscillator (XTALin, XTALout)

Symbol	Parameter	Minimum	Typical	Maximum	Unit
V _{IL}	Low level input voltage			0.2V _{RegD1}	V
V _{IH}	High level input voltage	0.8V _{RegD1}			V
I _L	Low level input Current	-TBD			uA
I _H	High Level Output Current			TBD	uA
ESR	Electrical Serial Resistor			25	Ω
CO	Shunt capacitance			7	pF

Note Manufacturer example: Ref MMD A20BA1- 15.36MHz

Table 10 : 48MHz Internal PLL

Symbol	Parameter	Minimum	Typical	Maximum	Unit
JITTER	Jitter peak-peak Magnitude		0.35	5	ns
Lock Time	High level input voltage		60	100	us

10.3 - Universal Serial Bus Interface

See Chapter 7 of USB rev1.0 for complete Electrical Specification

Table 11 : USB Nominal DC Characteristics (DP, DM)

Symbol	Parameter	Minimum	Typical	Maximum	Unit
V _{DI}	Differential Input Sensitivity [(DP)-(DM)]	0.2			V
V _{CM}	Differential Common Mode Range	0.8		2.5	V
V _{SE}	Single Ended Receiver Threshold	0.8		2	V
V _{OH}	High Level output Static voltage (RL of 15KΩ to GND)	2.5		3.6	V
V _{OL}	Low level input Static voltage (RL of 1.5KΩ to 3.6V)			0.3	V
I _{LO}	Hi-Z State Data Line Leakage Current (0v <V _{in} <3,3V)			± 10	uA
C _{in}	Transceiver Capacitance (Pin to GND)			20	pF
R _D	Driver Output Resistance (steady state drive)	TBD		TBD	kΩ

See Chapter 7 of USB rev1.0 for complete Electrical Specification.

Note Excludes external resistor. In order to comply with USB Specification 1.0, external series resistors of 27Ω ±1% each on DP and DM are recommended.

AC Characteristics (DP, DM)

See Chapter 7.3.2 of USB rev1.0 for complete Electrical Specification.

10.4 - Line Side Isdn S Interface

Table 12 : ISDN Interface Electrical Characteristics: $R_{IREF} = 120k\Omega$

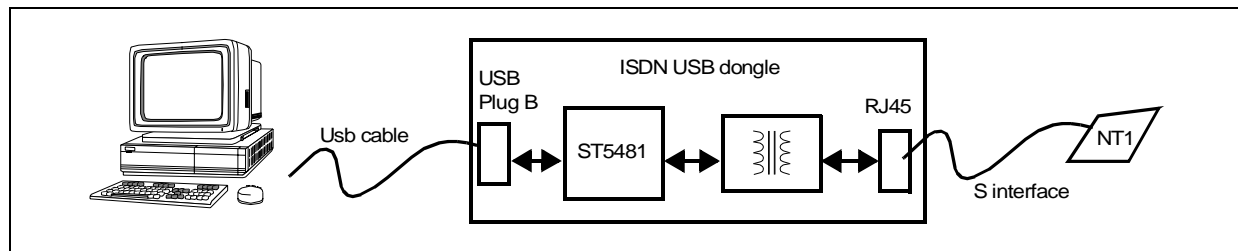
Symbol	Parameter	Minimum	Typical	Maximum	Unit
I_{TX}	TX Line Driver current with 70Ω between LOP / LON [70 (total)= 50 (load) + 2×7 (serial) + 2×3 (serial)]	14.25	15	15.75	mA
I_{TX}	TX Line Driver current with 420Ω between LOP / LON [420 (total)= 400 (load) + 2×7 (serial) + 2×3 (serial)]			3	mA
I_{TX}	TX Line Driver current with 25.6Ω between LOP / LON [25.6 (total)= 5.6 (load) + 2×7 (serial) + 2×3 (serial)]			26	mA
Z_{OTX}	Transmit Output impedance during pulse. (20Ω is obtained as total min value with serial resistors: [20 (total)= Z_{OTX} + 7 (serial) + 7 (serial)])	6			$k\Omega$
Z_{TX}	Impedance when inactive, between LOP / LON	2.5			$k\Omega$
Z_{INRX}	Receive Input impedance between LIP / LIN	2.5			$k\Omega$

Note UIT-TI430, ETSI 300012, ANSI T1.605 standards compliance.

11 - APPLICATION SYNOPTIC

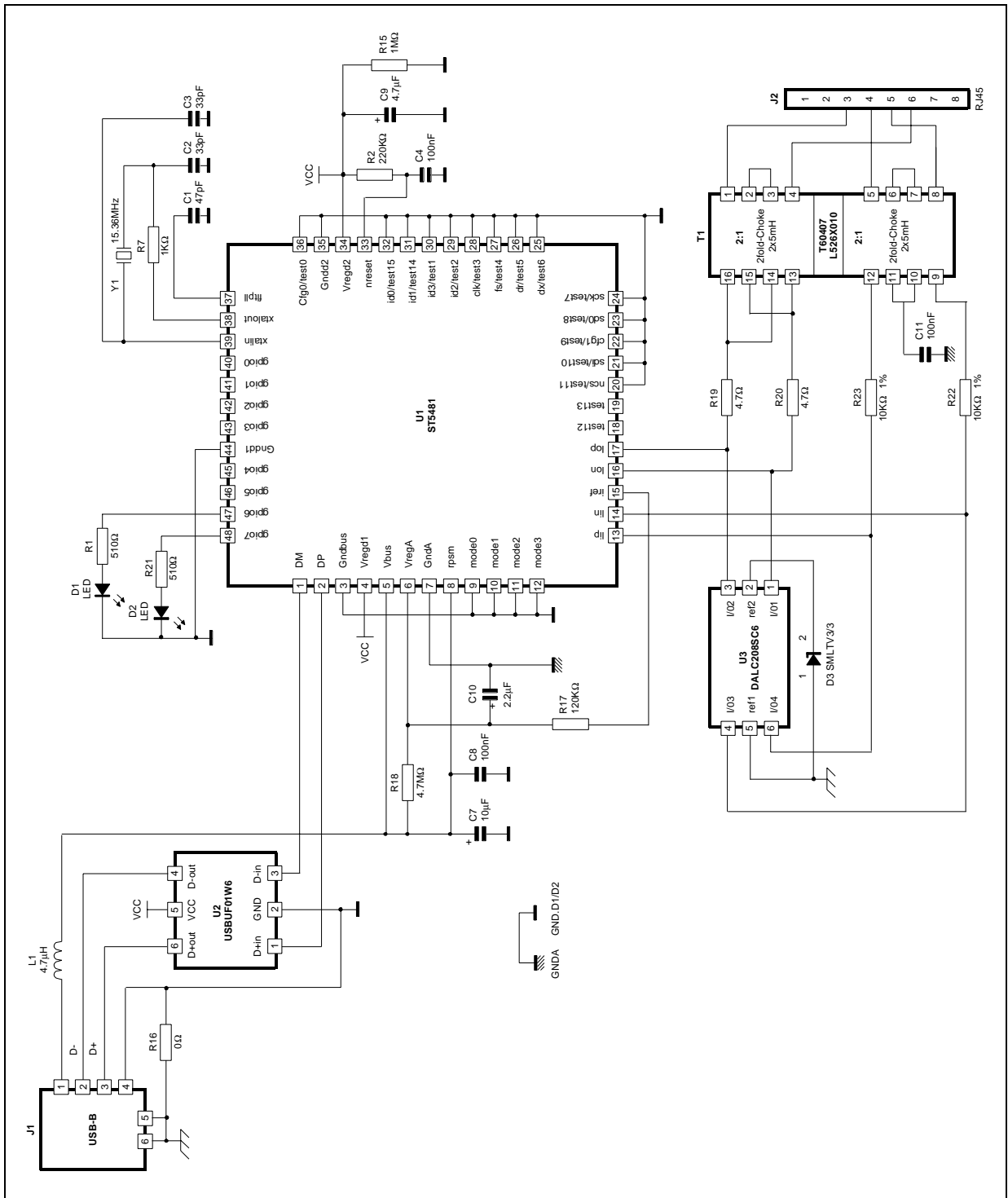
11.1 - Global Environment

Figure 8 : Synoptic



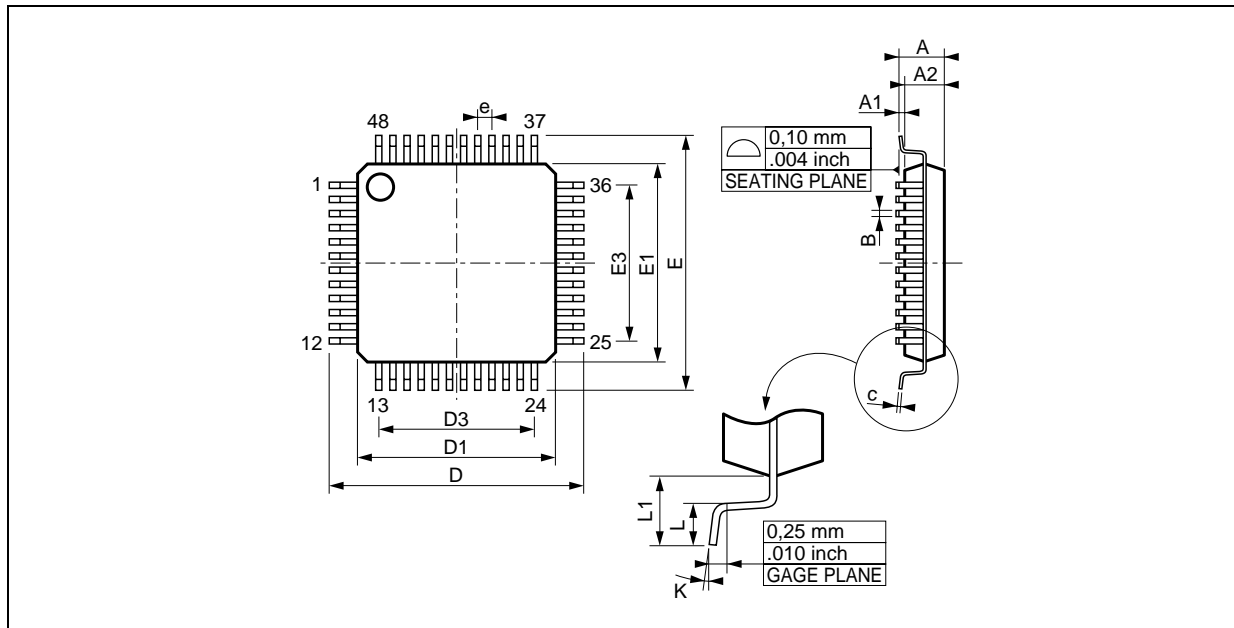
11.2 - Application Schematic

Figure 9 : Schematic



TQFP48 PACKAGE MECHANICAL DATA

Figure 10 : 48 Pins - Full Plastic



Dimension	Millimeter			Inch		
	Minimum	Typical	Maximum	Minimum	Typical	Maximum
A			1.60			0.063
A1	0.05		0.15	0.002		0.006
A2	1.35	1.40	1.45	0.053	0.055	0.057
B	0.17	0.22	0.27	0.007	0.009	0.011
C	0.09		0.20	0.004		0.008
D		9.00			0.354	
D1		7.00			0.276	
D3		5.50			0.216	
e		0.50			0.0197	
E		9.00			0.354	
E1		7.00			0.276	
E3		5.50			0.216	
L	0.45	0.60	0.75	0.018	0.024	0.030
L1		1.00			0.039	
K	0° (minimum), 7° (maximum)					

Information furnished is believed to be accurate and reliable. However, STMicroelectronics assumes no responsibility for the consequences of use of such information nor for any infringement of patents or other rights of third parties which may result from its use. No license is granted by implication or otherwise under any patent or patent rights of STMicroelectronics. Specifications mentioned in this publication are subject to change without notice. This publication supersedes and replaces all information previously supplied. STMicroelectronics products are not authorized for use as critical components in life support devices or systems without express written approval of STMicroelectronics.

**The ST logo is a registered trademark of STMicroelectronics
© 2000 STMicroelectronics - All Rights Reserved**

STMicroelectronics GROUP OF COMPANIES
Australia - Brazil - China - Finland - France - Germany - Hong Kong - India - Italy - Japan - Malaysia - Malta - Morocco
Singapore - Spain - Sweden - Switzerland - United Kingdom - U.S.A.

<http://www.st.com>

ST5481.REF