



# Sitronix

## ST7713

### 262K Color Single-Chip TFT Controller/Driver

#### 1. Introduction

The ST7713 is a single-chip controller/driver for 262K-color, graphic type TFT-LCD. It consists of 396 source line and 132 gate line driving circuits. This chip is capable of connecting directly to an external microprocessor, and accepts Serial Peripheral Interface (SPI), 8-bits/9-bits/16-bits/18-bits parallel interface. Display data can be stored in the on-chip display data RAM of 132 x 132 x 18 bits. It can perform display data RAM read/write operation with no external operation clock to minimize power consumption. In addition, because of the integrated power supply circuits necessary to drive liquid crystal, it is possible to make a display system with fewer components.

#### 2. Features

- ◆ Single chip TFT-LCD controller/driver with display data RAM
- ◆ Display resolution: 132 (H) x RGB x 132 (V)
- ◆ Display data RAM (frame memory): 132 x 132x 18-bits = 313,632 bits
- ◆ Output:
  - 396 ch source outputs (132RGB)
  - 132 ch gate outputs
  - Common electrode output
- ◆ Display mode (color mode)
  - Full color mode (idle mode off): 262K-colors
  - Reduce color mode (idle mode on): 8-colors (1-bit for individual R, G, B color depth)
- ◆ Display resolution
  - 132 x 132 display with 132 x 18-bits x 132 display RAM
- ◆ Supported LC type option
  - Transflective (TR) LC type (When LCM1,LCM0 = "00")
  - Transmissive (TM) LC type (When LCM1,LCM0 = "01")
  - Low voltage (LV) LC type (When LCM1,LCM0 = "10")
  - MVA LC type (When LCM1, LCM0 = "11")
- ◆ Supported data format on display host interface
  - 12-bits/pixel: RGB= (444) using the 384k-bits frame memory and LUT
  - 16-bits/pixel: RGB= (565) using the 384k-bits frame memory and LUT
  - 18-bits/pixel: RGB= (666) using the 384k-bits frame memory
- ◆ Supported MCU Interface
  - 3-line serial interface
  - 4-line serial interface
  - 8-bits, 9-bits, 16-bits, 18-bits interface with 8080-series MCU
  - 8-bits, 9-bits, 16-bits, 18-bits interface with 6800-series MCU
  - 6-bits, 16-bits, 18-bits RGB interface with graphic controller
- ◆ Display features
  - Area scrolling
  - Partial display mode
  - Software programmable color depth mode
- ◆ Build-in circuit
  - DC/DC converter
  - Adjustable VCOM generation
  - Non-volatile (NV) memory to store initial register setting
  - Oscillator for display clock generation
  - Timing controller
  - Support transflective, transmissive, low voltage, MVA type LC
  - Factory default value (contrast, module ID, module version, etc) are stored in NV memory
  - Line inversion, frame inversion
- ◆ NV Memory
  - 7-bits for ID2
  - 8-bits for ID3
  - 7-bits for VCOM adjustment

www.DataSheet4U.com

## ST7713

---

- ◆ Supply voltage range
  - Analog supply voltage range for VDD to AGND: 2.5V to 3.3V
  - I/O supply voltage range for VDDI to DGND: 1.6V to 3.3V
- ◆ Output voltage level
  - Source output voltage range (GVDD to AGND): 3.3V to 5.0V
  - Power supply range for driver circuit (AVDD to AGND): 4.95V to 6.0V
  - Output range of HIGH level of VCOM (VCOMH to AGND): 2.5V to 5.0V
  - Output range of LOW level of VCOM (VCOML to AGND): -2.5V to 0.0V
  - Output range of HIGH level of gate driver (VGH to AGND): +9.4V to 16.2V
  - Output range of LOW level of gate driver (VGL to AGND): -13.5V to -7.0V
- ◆ Lower power consumption, suitable for battery operated systems
  - CMOS compatible inputs
  - Optimized layout for COG assembly
  - Operate temperature range: -30°C to +70°C



## 4. Pad Center Coordinates

PAD No.	PIN Name	X	Y	PAD No.	PIN Name	X	Y
1	PADA3	6424	239	41	G92	5544	239
2	DUMMY	6402	108	42	G90	5522	108
3	PADB3	6380	239	43	G88	5500	239
4	DUMMY	6358	108	44	G86	5478	108
5	DUMMY	6336	239	45	G84	5456	239
6	TEST	6314	108	46	G82	5434	108
7	TEST	6292	239	47	G80	5412	239
8	TEST	6270	108	48	G78	5390	108
9	TEST	6248	239	49	G76	5368	239
10	TEST	6226	108	50	G74	5346	108
11	TEST	6204	239	51	G72	5324	239
12	TEST	6182	108	52	G70	5302	108
13	TEST	6160	239	53	G68	5280	239
14	TEST	6138	108	54	G66	5258	108
15	TEST	6116	239	55	G64	5236	239
16	TEST	6094	108	56	G62	5214	108
17	TEST	6072	239	57	G60	5192	239
18	TEST	6050	108	58	G58	5170	108
19	TEST	6028	239	59	G56	5148	239
20	TEST	6006	108	60	G54	5126	108
21	G132	5984	239	61	G52	5104	239
22	G130	5962	108	62	G50	5082	108
23	G128	5940	239	63	G48	5060	239
24	G126	5918	108	64	G46	5038	108
25	G124	5896	239	65	G44	5016	239
26	G122	5874	108	66	G42	4994	108
27	G120	5852	239	67	G40	4972	239
28	G118	5830	108	68	G38	4950	108
29	G116	5808	239	69	G36	4928	239
30	G114	5786	108	70	G34	4906	108
31	G112	5764	239	71	G32	4884	239
32	G110	5742	108	72	G30	4862	108
33	G108	5720	239	73	G28	4840	239
34	G106	5698	108	74	G26	4818	108
35	G104	5676	239	75	G24	4796	239
36	G102	5654	108	76	G22	4774	108
37	G100	5632	239	77	G20	4752	239
38	G98	5610	108	78	G18	4730	108
39	G96	5588	239	79	G16	4708	239
40	G94	5566	108	80	G14	4686	108

# ST7713

PAD No.	PIN Name	X	Y	PAD No.	PIN Name	X	Y
81	G12	4664	239	121	S368	3784	239
82	G10	4642	108	122	S367	3762	108
83	G8	4620	239	123	S366	3740	239
84	G6	4598	108	124	S365	3718	108
85	G4	4576	239	125	S364	3696	239
86	G2	4554	108	126	S363	3674	108
87	DUMMY	4532	239	127	S362	3652	239
88	DUMMY	4510	108	128	S361	3630	108
89	DUMMY	4488	239	129	S360	3608	239
90	DUMMY	4466	108	130	S359	3586	108
91	DUMMY	4444	239	131	S358	3564	239
92	DUMMY	4422	108	132	S357	3542	108
93	S396	4400	239	133	S356	3520	239
94	S395	4378	108	134	S355	3498	108
95	S394	4356	239	135	S354	3476	239
96	S393	4334	108	136	S353	3454	108
97	S392	4312	239	137	S352	3432	239
98	S391	4290	108	138	S351	3410	108
99	S390	4268	239	139	S350	3388	239
100	S389	4246	108	140	S349	3366	108
101	S388	4224	239	141	S348	3344	239
102	S387	4202	108	142	S347	3322	108
103	S386	4180	239	143	S346	3300	239
104	S385	4158	108	144	S345	3278	108
105	S384	4136	239	145	S344	3256	239
106	S383	4114	108	146	S343	3234	108
107	S382	4092	239	147	S342	3212	239
108	S381	4070	108	148	S341	3190	108
109	S380	4048	239	149	S340	3168	239
110	S379	4026	108	150	S339	3146	108
111	S378	4004	239	151	S338	3124	239
112	S377	3982	108	152	S337	3102	108
113	S376	3960	239	153	S336	3080	239
114	S375	3938	108	154	S335	3058	108
115	S374	3916	239	155	S334	3036	239
116	S373	3894	108	156	S333	3014	108
117	S372	3872	239	157	S332	2992	239
118	S371	3850	108	158	S331	2970	108
119	S370	3828	239	159	S330	2948	239
120	S369	3806	108	160	S329	2926	108

www.DataSheet4U.com

# ST7713

PAD No.	PIN Name	X	Y	PAD No.	PIN Name	X	Y
161	S328	2904	239	201	S288	2024	239
162	S327	2882	108	202	S287	2002	108
163	S326	2860	239	203	S286	1980	239
164	S325	2838	108	204	S285	1958	108
165	S324	2816	239	205	S284	1936	239
166	S323	2794	108	206	S283	1914	108
167	S322	2772	239	207	S282	1892	239
168	S321	2750	108	208	S281	1870	108
169	S320	2728	239	209	S280	1848	239
170	S319	2706	108	210	S279	1826	108
171	S318	2684	239	211	S278	1804	239
172	S317	2662	108	212	S277	1782	108
173	S316	2640	239	213	S276	1760	239
174	S315	2618	108	214	S275	1738	108
175	S314	2596	239	215	S274	1716	239
176	S313	2574	108	216	S273	1694	108
177	S312	2552	239	217	S272	1672	239
178	S311	2530	108	218	S271	1650	108
179	S310	2508	239	219	S270	1628	239
180	S309	2486	108	220	S269	1606	108
181	S308	2464	239	221	S268	1584	239
182	S307	2442	108	222	S267	1562	108
183	S306	2420	239	223	S266	1540	239
184	S305	2398	108	224	S265	1518	108
185	S304	2376	239	225	S264	1496	239
186	S303	2354	108	226	S263	1474	108
187	S302	2332	239	227	S262	1452	239
188	S301	2310	108	228	S261	1430	108
189	S300	2288	239	229	S260	1408	239
190	S299	2266	108	230	S259	1386	108
191	S298	2244	239	231	S258	1364	239
192	S297	2222	108	232	S257	1342	108
193	S296	2200	239	233	S256	1320	239
194	S295	2178	108	234	S255	1298	108
195	S294	2156	239	235	S254	1276	239
196	S293	2134	108	236	S253	1254	108
197	S292	2112	239	237	S252	1232	239
198	S291	2090	108	238	S251	1210	108
199	S290	2068	239	239	S250	1188	239
200	S289	2046	108	240	S249	1166	108

www.DataSheet4U.com

# ST7713

PAD No.	PIN Name	X	Y	PAD No.	PIN Name	X	Y
241	S248	1144	239	281	S208	264	239
242	S247	1122	108	282	S207	242	108
243	S246	1100	239	283	S206	220	239
244	S245	1078	108	284	S205	198	108
245	S244	1056	239	285	S204	176	239
246	S243	1034	108	286	S203	154	108
247	S242	1012	239	287	S202	132	239
248	S241	990	108	288	S201	110	108
249	S240	968	239	289	S200	88	239
250	S239	946	108	290	S199	66	108
251	S238	924	239	291	DUMMY	44	239
252	S237	902	108	292	DUMMY	22	108
253	S236	880	239	293	DUMMY	0	239
254	S235	858	108	294	DUMMY	-22	108
255	S234	836	239	295	DUMMY	-44	239
256	S233	814	108	296	S198	-66	108
257	S232	792	239	297	S197	-88	239
258	S231	770	108	298	S196	-110	108
259	S230	748	239	299	S195	-132	239
260	S229	726	108	300	S194	-154	108
261	S228	704	239	301	S193	-176	239
262	S227	682	108	302	S192	-198	108
263	S226	660	239	303	S191	-220	239
264	S225	638	108	304	S190	-242	108
265	S224	616	239	305	S189	-264	239
266	S223	594	108	306	S188	-286	108
267	S222	572	239	307	S187	-308	239
268	S221	550	108	308	S186	-330	108
269	S220	528	239	309	S185	-352	239
270	S219	506	108	310	S184	-374	108
271	S218	484	239	311	S183	-396	239
272	S217	462	108	312	S182	-418	108
273	S216	440	239	313	S181	-440	239
274	S215	418	108	314	S180	-462	108
275	S214	396	239	315	S179	-484	239
276	S213	374	108	316	S178	-506	108
277	S212	352	239	317	S177	-528	239
278	S211	330	108	318	S176	-550	108
279	S210	308	239	319	S175	-572	239
280	S209	286	108	320	S174	-594	108

www.DataSheet4U.com

# ST7713

PAD No.	PIN Name	X	Y	PAD No.	PIN Name	X	Y
321	S173	-616	239	361	S133	-1496	239
322	S172	-638	108	362	S132	-1518	108
323	S171	-660	239	363	S131	-1540	239
324	S170	-682	108	364	S130	-1562	108
325	S169	-704	239	365	S129	-1584	239
326	S168	-726	108	366	S128	-1606	108
327	S167	-748	239	367	S127	-1628	239
328	S166	-770	108	368	S126	-1650	108
329	S165	-792	239	369	S125	-1672	239
330	S164	-814	108	370	S124	-1694	108
331	S163	-836	239	371	S123	-1716	239
332	S162	-858	108	372	S122	-1738	108
333	S161	-880	239	373	S121	-1760	239
334	S160	-902	108	374	S120	-1782	108
335	S159	-924	239	375	S119	-1804	239
336	S158	-946	108	376	S118	-1826	108
337	S157	-968	239	377	S117	-1848	239
338	S156	-990	108	378	S116	-1870	108
339	S155	-1012	239	379	S115	-1892	239
340	S154	-1034	108	380	S114	-1914	108
341	S153	-1056	239	381	S113	-1936	239
342	S152	-1078	108	382	S112	-1958	108
343	S151	-1100	239	383	S111	-1980	239
344	S150	-1122	108	384	S110	-2002	108
345	S149	-1144	239	385	S109	-2024	239
346	S148	-1166	108	386	S108	-2046	108
347	S147	-1188	239	387	S107	-2068	239
348	S146	-1210	108	388	S106	-2090	108
349	S145	-1232	239	389	S105	-2112	239
350	S144	-1254	108	390	S104	-2134	108
351	S143	-1276	239	391	S103	-2156	239
352	S142	-1298	108	392	S102	-2178	108
353	S141	-1320	239	393	S101	-2200	239
354	S140	-1342	108	394	S100	-2222	108
355	S139	-1364	239	395	S99	-2244	239
356	S138	-1386	108	396	S98	-2266	108
357	S137	-1408	239	397	S97	-2288	239
358	S136	-1430	108	398	S96	-2310	108
359	S135	-1452	239	399	S95	-2332	239
360	S134	-1474	108	400	S94	-2354	108

www.DataSheet4U.com



# ST7713

PAD No.	PIN Name	X	Y	PAD No.	PIN Name	X	Y
401	S93	-2376	239	441	S53	-3256	239
402	S92	-2398	108	442	S52	-3278	108
403	S91	-2420	239	443	S51	-3300	239
404	S90	-2442	108	444	S50	-3322	108
405	S89	-2464	239	445	S49	-3344	239
406	S88	-2486	108	446	S48	-3366	108
407	S87	-2508	239	447	S47	-3388	239
408	S86	-2530	108	448	S46	-3410	108
409	S85	-2552	239	449	S45	-3432	239
410	S84	-2574	108	450	S44	-3454	108
411	S83	-2596	239	451	S43	-3476	239
412	S82	-2618	108	452	S42	-3498	108
413	S81	-2640	239	453	S41	-3520	239
414	S80	-2662	108	454	S40	-3542	108
415	S79	-2684	239	455	S39	-3564	239
416	S78	-2706	108	456	S38	-3586	108
417	S77	-2728	239	457	S37	-3608	239
418	S76	-2750	108	458	S36	-3630	108
419	S75	-2772	239	459	S35	-3652	239
420	S74	-2794	108	460	S34	-3674	108
421	S73	-2816	239	461	S33	-3696	239
422	S72	-2838	108	462	S32	-3718	108
423	S71	-2860	239	463	S31	-3740	239
424	S70	-2882	108	464	S30	-3762	108
425	S69	-2904	239	465	S29	-3784	239
426	S68	-2926	108	466	S28	-3806	108
427	S67	-2948	239	467	S27	-3828	239
428	S66	-2970	108	468	S26	-3850	108
429	S65	-2992	239	469	S25	-3872	239
430	S64	-3014	108	470	S24	-3894	108
431	S63	-3036	239	471	S23	-3916	239
432	S62	-3058	108	472	S22	-3938	108
433	S61	-3080	239	473	S21	-3960	239
434	S60	-3102	108	474	S20	-3982	108
435	S59	-3124	239	475	S19	-4004	239
436	S58	-3146	108	476	S18	-4026	108
437	S57	-3168	239	477	S17	-4048	239
438	S56	-3190	108	478	S16	-4070	108
439	S55	-3212	239	479	S15	-4092	239
440	S54	-3234	108	480	S14	-4114	108

www.DataSheet4U.com

# ST7713

PAD No.	PIN Name	X	Y	PAD No.	PIN Name	X	Y
481	S13	-4136	239	521	G43	-5016	239
482	S12	-4158	108	522	G45	-5038	108
483	S11	-4180	239	523	G47	-5060	239
484	S10	-4202	108	524	G49	-5082	108
485	S9	-4224	239	525	G51	-5104	239
486	S8	-4246	108	526	G53	-5126	108
487	S7	-4268	239	527	G55	-5148	239
488	S6	-4290	108	528	G57	-5170	108
489	S5	-4312	239	529	G59	-5192	239
490	S4	-4334	108	530	G61	-5214	108
491	S3	-4356	239	531	G63	-5236	239
492	S2	-4378	108	532	G65	-5258	108
493	S1	-4400	239	533	G67	-5280	239
494	DUMMY	-4422	108	534	G69	-5302	108
495	DUMMY	-4444	239	535	G71	-5324	239
496	DUMMY	-4466	108	536	G73	-5346	108
497	DUMMY	-4488	239	537	G75	-5368	239
498	DUMMY	-4510	108	538	G77	-5390	108
499	DUMMY	-4532	239	539	G79	-5412	239
500	G1	-4554	108	540	G81	-5434	108
501	G3	-4576	239	541	G83	-5456	239
502	G5	-4598	108	542	G85	-5478	108
503	G7	-4620	239	543	G87	-5500	239
504	G9	-4642	108	544	G89	-5522	108
505	G11	-4664	239	545	G91	-5544	239
506	G13	-4686	108	546	G93	-5566	108
507	G15	-4708	239	547	G95	-5588	239
508	G17	-4730	108	548	G97	-5610	108
509	G19	-4752	239	549	G99	-5632	239
510	G21	-4774	108	550	G101	-5654	108
511	G23	-4796	239	551	G103	-5676	239
512	G25	-4818	108	552	G105	-5698	108
513	G27	-4840	239	553	G107	-5720	239
514	G29	-4862	108	554	G109	-5742	108
515	G31	-4884	239	555	G111	-5764	239
516	G33	-4906	108	556	G113	-5786	108
517	G35	-4928	239	557	G115	-5808	239
518	G37	-4950	108	558	G117	-5830	108
519	G39	-4972	239	559	G119	-5852	239
520	G41	-4994	108	560	G121	-5874	108

www.DataSheet4U.com

PAD No.	PIN Name	X	Y	PAD No.	PIN Name	X	Y
561	G123	-5896	239	601	RCM[1]	-5280	-239
562	G125	-5918	108	602	DGND0	-5200	-239
563	G127	-5940	239	603	SRGB	-5120	-239
564	G129	-5962	108	604	VDDIO	-5040	-239
565	G131	-5984	239	605	SMX	-4960	-239
566	TEST	-6006	108	606	DGND0	-4880	-239
567	TEST	-6028	239	607	SMY	-4800	-239
568	TEST	-6050	108	608	VDDIO	-4720	-239
569	TEST	-6072	239	609	IDM	-4640	-239
570	TEST	-6094	108	610	DGND0	-4560	-239
571	TEST	-6116	239	611	REV	-4480	-239
572	TEST	-6138	108	612	VDDIO	-4400	-239
573	TEST	-6160	239	613	RL	-4320	-239
574	TEST	-6182	108	614	DGND0	-4240	-239
575	TEST	-6204	239	615	TB	-4160	-239
576	TEST	-6226	108	616	VDDIO	-4080	-239
577	TEST	-6248	239	617	SHUT	-4000	-239
578	TEST	-6270	108	618	DGND0	-3920	-239
579	TEST	-6292	239	619	TPI[4]	-3840	-239
580	TEST	-6314	108	620	TPI[3]	-3760	-239
581	DUMMY	-6336	239	621	LCM[0]	-3680	-239
582	DUMMY	-6358	108	622	VDDIO	-3600	-239
583	PADA4	-6380	239	623	LCM[1]	-3520	-239
584	DUMMY	-6402	108	624	DGND0	-3440	-239
585	PADB4	-6424	239	625	D[17]	-3360	-239
586	PADA1	-6464	-239	626	D[16]	-3280	-239
587	PADB1	-6400	-239	627	D[15]	-3200	-239
588	PADA0	-6320	-239	628	D[14]	-3120	-239
589	EXTC	-6240	-239	629	D[13]	-3040	-239
590	DGND0	-6160	-239	630	D[12]	-2960	-239
591	IM[0]	-6080	-239	631	D[11]	-2880	-239
592	VDDIO	-6000	-239	632	D[10]	-2800	-239
593	IM[1]	-5920	-239	633	D[9]	-2720	-239
594	DGND0	-5840	-239	634	D[8]	-2640	-239
595	IM[2]	-5760	-239	635	DGND0	-2560	-239
596	VDDIO	-5680	-239	636	TESEL	-2480	-239
597	P68	-5600	-239	637	D[7]	-2400	-239
598	DGND0	-5520	-239	638	D[6]	-2320	-239
599	RCM[0]	-5440	-239	639	D[5]	-2240	-239
600	VDDIO	-5360	-239	640	D[4]	-2160	-239

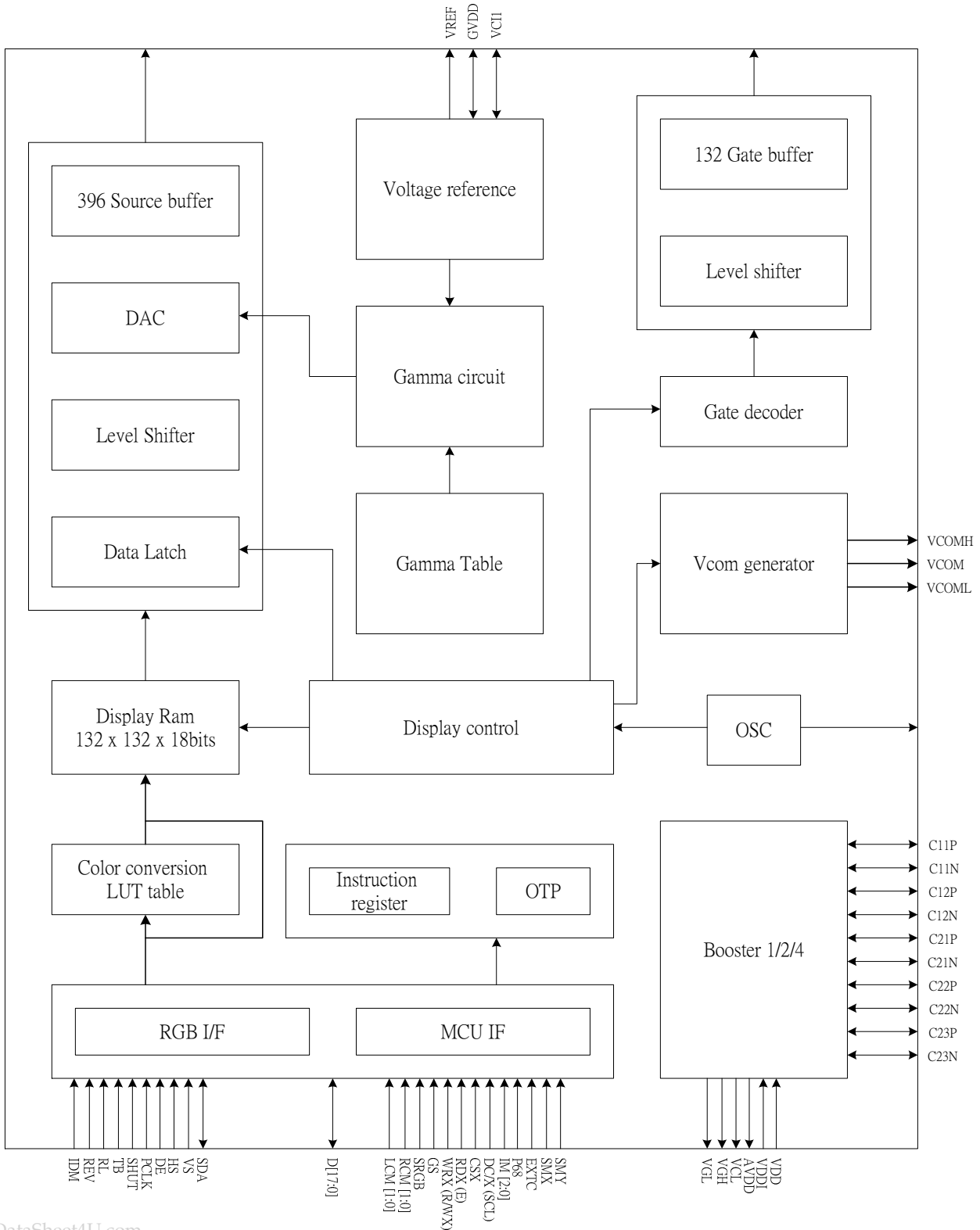
PAD No.	PIN Name	X	Y	PAD No.	PIN Name	X	Y
641	D[3]	-2080	-239	681	VDDI	960	-239
642	D[2]	-2000	-239	682	VDDI	1024	-239
643	D[1]	-1920	-239	683	VCC	1104	-239
644	D[0] (SDA)	-1840	-239	684	VCC	1168	-239
645	TPO[8]	-1760	-239	685	VCC	1232	-239
646	TPO[7]	-1680	-239	686	VCI1	1312	-239
647	TPO[6]	-1600	-239	687	VCI1	1376	-239
648	TPO[5]	-1520	-239	688	VCI1	1440	-239
649	TPO[4]	-1440	-239	689	AGND	1520	-239
650	OSC	-1360	-239	690	AGND	1584	-239
651	TE	-1280	-239	691	AGND	1648	-239
652	CSX	-1200	-239	692	AGND	1712	-239
653	RDX (E)	-1120	-239	693	AGND	1776	-239
654	WRX (D/CX)	-1040	-239	694	AGND	1840	-239
655	SDA	-960	-239	695	VDD	1920	-239
656	GS	-880	-239	696	VDD	1984	-239
657	4WSPI	-800	-239	697	VDD	2048	-239
658	RESX	-720	-239	698	VDD	2112	-239
659	DGND	-640	-239	699	VDD	2176	-239
660	D/CX(SCL)	-560	-239	700	VREF	2256	-239
661	DGND	-480	-239	701	VREF	2320	-239
662	PCLK	-400	-239	702	VREF	2384	-239
663	DGND	-320	-239	703	TPI[1]	2464	-239
664	DE	-240	-239	704	TPI[2]	2544	-239
665	HS	-160	-239	705	AVDD	2624	-239
666	VS	-80	-239	706	AVDD	2688	-239
667	TPO[3]	0	-239	707	AVDD	2752	-239
668	TPO[2]	80	-239	708	AVDD_O	2816	-239
669	TPO[1]	160	-239	709	AVDD_O	2880	-239
670	DGND	240	-239	710	GVDD	2960	-239
671	DGND	304	-239	711	GVDD	3024	-239
672	DGND	368	-239	712	GVDD	3088	-239
673	DGND	432	-239	713	C11P	3168	-239
674	DGND	496	-239	714	C11P	3232	-239
675	DGND	560	-239	715	C11P	3296	-239
676	DGND	624	-239	716	C11N	3376	-239
677	VDDI	704	-239	717	C11N	3440	-239
678	VDDI	768	-239	718	C11N	3504	-239
679	VDDI	832	-239	719	C12P	3584	-239
680	VDDI	896	-239	720	C12P	3648	-239

# ST7713

PAD No.	PIN Name	X	Y	PAD No.	PIN Name	X	Y
721	C12P	3712	-239				
722	C12N	3792	-239				
723	C12N	3856	-239				
724	C12N	3920	-239				
725	AGND	4000	-239				
726	AGND	4064	-239				
727	AGND	4128	-239				
728	VCL	4208	-239				
729	VCL	4272	-239				
730	VCL_O	4336	-239				
731	C21P	4416	-239				
732	C21P	4480	-239				
733	C21N	4560	-239				
734	C21N	4624	-239				
735	C22P	4704	-239				
736	C22P	4768	-239				
737	C22N	4848	-239				
738	C22N	4912	-239				
739	C23P	4992	-239				
740	C23P	5056	-239				
741	C23N	5136	-239				
742	C23N	5200	-239				
743	VGL	5280	-239				
744	VGL	5344	-239				
745	VGL	5408	-239				
746	VGH_O	5488	-239				
747	VGH	5552	-239				
748	VGH	5616	-239				
749	VCOMH	5696	-239				
750	VCOMH	5760	-239				
751	VCOMH	5824	-239				
752	VCOML	5904	-239				
753	VCOML	5968	-239				
754	VCOML	6032	-239				
755	PADB0	6112	-239				
756	VCOM	6192	-239				
757	VCOM	6256	-239				
758	VCOM	6320	-239				
759	PADA2	6400	-239				
760	PADB2	6464	-239				

www.DataSheet4U.com

5. Block diagram



## 6. Pin description

### 6.1 Power supply pin

Name	I/O	Description	Count	Connect pin
VDD	I	Power supply for analog, digital system and booster circuit.	5	VDD
VDDI	I	Power supply for I/O system.	6	VDDI
AGND	I	System ground for analog system and booster circuit.	9	GND
DGND	I	System ground for I/O system and digital system.	10	GND

### 6.2 Interface logic pin

Name	I/O	Description	Count	Connect pin
P68	I	-8080/6800 MCU interface mode select. -P68='1', select 6800 MCU parallel interface. -P68='0', select 8080 MCU parallel interface. -If not used, please fix this pin at VDDI or DGND level.	1	DGND/VDDI
IM0-IM2	I	-Selection for MCU parallel interface or serial interface. -If not used, please fix this pin at VDDI or DGND level.	3	DGND/VDDI
4WSPI	I	-When in serial interface, this pin can be used to choose 3-line or 4-line SPI. -If not used, please fix this pin at DGND level.	1	DGND/VDDI
RESX	I	-This signal will reset the device and it must be applied to properly initialize the chip. -Signal is active low.	1	MCU
CSX	I	-Chip selection pin -Low enable.	1	MCU
D/CX (SCL)	I	-Display data/command selection pin in MCU interface. -D/CX='1': display data or parameter. -D/CX='0': command data. -In serial interface, this is used as SCL. -If not used, please fix this pin at VDDI or DGND level.	1	MCU
RDX (E)	I	-Read enable in 8080 MCU parallel interface. -Read/write operation enable pin in 6800 MCU parallel interface. -If not used, please fix this pin at VDDI or DGND level.	1	MCU
WRX (D/CX)	I	-Write enable in MCU parallel interface. -In 4-line serial interface, this pin is used as D/CX (data/ command selection). -If not used, please fix this pin at VDDI or DGND level.	1	MCU
SDA	I	-When RCM1, RCM0='1X' (RGB interface), this pin is used as serial input/output pin. -When RCM1, RCM0='0X' (MCU interface), this pin is not used and please connect to VDDI or DGND level. The serial input/output pin in MCU interface mode is D0.	1	MCU DGND/VDDI
OSC	O	-Monitoring pin of internal oscillator clock and is turned ON/OFF by S/W command. -When this pin is inactive (function OFF), this pin is DGND level. -If not used, please open this pin.	1	-
D[17:0]	I/O	-When RCM="1" (RGB interface), D[17:0] are used as RGB interface data bus. -When RCM="0" (MCU interface), D[17:0] are used as MCU parallel interface data bus. -D0 is the serial input/output signal in serial interface mode. -In serial interface, D[17:1] are not used and should be connected to VDDI or DGND.	18	MCU
TE	O	-Tearing effect output pin to synchronies MCU to frame rate, activated by S/W command. -If not used, please open this pin.	1	MCU
PCLK	I	-Pixel clock signal in RGB interface mode. -If not used, please fix this pin at VDDI or DGND level.	1	RGB interface
VS	I	-Vertical sync. signal in RGB interface mode. -If not used, please fix this pin at VDDI or DGND level.	1	RGB interface
HS	I	-Horizontal sync. signal in RGB interface mode. -If not used, please fix this pin at VDDI or DGND level.	1	RGB interface
DE	I	-Data enable signal in RGB interface mode. -If not used, please fix this pin at VDDI or DGND level.	1	RGB interface

Note1. When in parallel mode, no use data pin must be connected to "1" or "0".

Note2. When CSX="1", there is no influence to the parallel and serial interface.

## 6.3 Mode selection pin

Name	I/O	Description	Count	Connect pin		
EXTC	I	-To use extended command set, please connect this pin to VDDI. -During normal operation, please open this pin (internal $R_{pull-down}=2M\Omega$ ).	1	VDDI/DGND		
		<b>EXTC</b> <b>Enable/disable modification of extend command</b>				
		0                      Only use default command set				
		1                      Use extended command set				
GS	I	-Gamma curve selection pin.	1	VDDI/DGND		
		<b>GS</b> <b>Selection of gamma curve</b>				
		0                      GC0=1.0, GC1=2.5, GC2=2.2, GC3=1.8				
		1                      GC0=2.2, GC1=1.8, GC2=2.5, GC3=1.0				
IDM	I	-Normal mode and idle mode selection pin.	1	VDDI/DGND		
		<b>IDM</b> <b>Enable/disable idle mode</b>				
		0                      Normal display (can be changed to Idle mode by S/W)				
		1                      Idle mode enable				
LCM1, LCM0	I	-Liquid crystal (LC) type selection pins.	2	VDDI/DGND		
		<b>LCM[1:0]</b> <b>Selection of LC type</b>				
		00      0                      TR (transflective) type LC				
		01      1                      TM (transmissive) type LC				
		10      2                      LV (low voltage) type LC				
		11      3                      MVA (multi-domain vertical alignment) type LC				
RCM1, RCM0	I	-RGB or MCU interface mode selection pins.	2	VDDI/DGND		
		<b>RCM[1:0]</b> <b>Selection of MCU or RGB interface</b>				
		00      0                      MCU Interface				
		01      1                      MCU Interface				
		10      2                      RGB Interface (1)				
		11      3                      RGB Interface (2)				
SRGB	I	-RGB arrangement selection pin for color filter design.	1	VDDI/DGND		
		<b>SRGB</b> <b>RGB arrangement</b>				
		0                      S1, S2, S3 filter order = 'R', 'G', 'B'				
		1                      S1, S2, S3 filter order = 'B', 'G', 'R'				
SMX	I	-Scanning direction of source output selection pin.	1	VDDI/DGND		
		<b>SMX</b> <b>Scanning direction of source output</b>				
		0                      S1 -> S396				
		1                      S396 -> S1				
SMY	I	-Scanning direction of gate output selection pin.	1	VDDI/DGND		
		<b>SMY</b> <b>Scanning direction of gate output</b>				
		0                      G1 -> G132				
		1                      G132 -> G1				
REV	I	-Polarity of source output selection pin.	1	VDDI/DGND		
		<b>REV</b> <b>Command</b> <b>Polarity of source output</b>				
		0			INVON(21h)	Data reverse
					INVOFF(20h)	Data not reverse
		1			INVON(21h)	Data not reverse
					INVOFF(20h)	Data reverse
SHUT	I	-Display On/Off control pin in RGB2 Interface -Only used in RGB2 mode. If not used, please fix this pin at VDDI or DGND.	1	VDDI/DGND		
		<b>SHUT</b> <b>Display On/Off</b>				
		0                      Display On				
		1                      Display Off				
RL	I	-Scanning direction of source output selection pin in RGB interface.	1	VDDI/DGND		
		<b>RL</b> <b>SMX</b> <b>Scanning direction of source output</b>				
		0      0                      S1 -> S396				
		0      1                      S396 -> S1				
		1      0                      S396 -> S1				
		1      1                      S1 -> S396				



TB	I	-Scanning direction of gate output selection pin in RGB interface.			1	VDDI/DGND
		TB	SMY	Scanning direction of gate output		
		0	0	G1 -> G132		
		0	1	G132 -> G1		
		1	0	G132 -> G1		
1	1	G1 -> G132				
TESEL	I/O	-Input mode: Please fix this pin at VDDI or DGND level. -Output mode: If this pin neither fix on panel internally nor FPC, it must be changed to output mode. (refer to the application note)			1	VDDI/DGND

## 6.4 Driver output pin

Name	I/O	Description	Count	Connect pin
S1 to S396	O	- Source driver output pins.	396	-
G1 to G132	O	- Gate driver output pins.	132	-
VCI1	I/O	- A reference voltage for step-up circuit 1. - Connect a capacitor for stabilization.	3	Capacitor
AVDD	I	- Power input pin for analog circuits. - In normal usage, connect it to AVDDO.	3	AVDDO
AVDDO	O	- Output of step-up circuit 1 - Connect a capacitor for stabilization.	2	Capacitor
VCL	I	- Power input pin for VCOM circuit. - In normal usage, connect it to VCLO.	2	VCLO
VCLO	O	- A power output pin of step-up circuit 4. - When VCOML is higher than AGND, VCLO=AGND. - Connect a capacitor for stabilization.	1	Capacitor
VGH	I	- Power input pin for gate driver circuit. - In normal usage, connect it to VGHO.	2	VGHO
VGHO	O	- Positive output pin of the step-up circuit 2. - Connect a capacitor for stabilization.	1	Capacitor
VGL	I	- Power input pin for gate driver circuit. - Negative output of the step-up circuit 2 is connected inside the driver. - Connect a capacitor for stabilization.	3	VGLO
VREF	O	- A reference voltage for power system. - Connect a capacitor for stabilization.	3	Capacitor
GVDD	O	- A power output of grayscale voltage generator. - Connect a capacitor for stabilization. - When internal GVDD generator is not used, connect an external power supply (AVDD-0.5V) to this pin.	3	Capacitor
VCOMH	O	- Positive voltage output of VCOM. - Connect a capacitor for stabilization.	3	Capacitor
VCOML	O	- Negative voltage output of VCOM. - Connect a capacitor for stabilization.	3	Capacitor
VCOM	O	- A power supply for the TFT-LCD common electrode.	3	Common electrode
C11P, C11N, C12P, C12N	O	- Capacitor connecting pins for step-up circuit 1 (for AVDDO)	12	Step-up Capacitor
C21P, C21N, C22P, C22N, C23P, C23N	O	- Capacitor connecting pins for step-up circuit 2 and 4 (for VGHO, VGLO, VCLO)	12	Step-up Capacitor
VDDIO	O	-VDDI voltage output level for monitoring.	8	-
DGND0	O	-DGND voltage output level for monitoring.	10	-
VCC	O	-Monitoring pin of internal digital reference voltage. -Connect a capacitor for stabilization.	3	Capacitor

# ST7713

## 6.5 Test pin

Name	I/O	Description	Count	Connect pin
PADA0 PADB0	I	-These test pins is for display glass break detection. -If not used, please open these pins.	2	Open
PADA1 PADB1 PADA2 PADB2 PADA3 PADB3 PADA4 PADB4	I	-These test pins is for chip attachment detection. -If not used, please open these pins.	8	Open
TPI[4]	I	-This pin must pull high.	1	-
TPI[3]	I	-This pin must pull low.	1	-
TPI[2]~[1]	I	-Please open these pins.	2	Open
TPO[8]~[1]	O	-Please open these pins.	8	Open
Dummy	-	-These pins are dummy (have no function inside). -Can allow signal traces pass through these pads on TFT glass.	23	Open

## 7. Driver electrical characteristics

### 7.1 Absolute operation range

Item	Symbol	Rating	Unit
Supply voltage	VDD	- 0.3 ~ +4.6	V
Supply voltage (Logic)	VDDI	- 0.3 ~ +4.6	V
Supply voltage (Digital)	VCC	-0.3 ~ +4.6	V
Driver supply voltage	VGH-VGL	-0.3 ~ +30.0	V
Logic input voltage range	V <sub>IN</sub>	0.3 ~ VDDI + 0.3	V
Logic output voltage range	V <sub>O</sub>	0.3 ~ VDDI + 0.3	V
Operating temperature range	T <sub>OPR</sub>	-40 ~ +85	°C
Storage temperature range	T <sub>STG</sub>	-55 ~ +125	°C

Note: If one of the above items is exceeded its maximum limitation momentarily, the quality of the product may be degraded. Absolute maximum limitation, therefore, specify the values exceeding which the product may be physically damaged. Be sure to use the product within the recommend range.

### 7.2 DC characteristic

Parameter	Symbol	Condition	Specification			Unit	Related Pins
			Min	TYP	Max		
<b>Power &amp; operation voltage</b>							
System voltage	VDD	Operating voltage	2.5	2.8	3.3	V	
Interface operation voltage	VDDI	I/O supply voltage	1.6	1.8/2.8	3.3	V	
Digital operating voltage	VCC	Digital supply voltage	1.4		2.0	V	
Gate driver high voltage	VGH		9.41		16.17	V	
Gate driver low voltage	VGL		-13.48		-7.06	V	
Gate driver supply voltage		VGH-VGL	16.47		29.65	V	
<b>Input / Output</b>							
Logic-high input voltage	V <sub>IH</sub>		0.7VDDI		VDDI	V	Note 1
Logic-low input voltage	V <sub>IL</sub>		VSS		0.3VDDI	V	Note 1
Logic-high output voltage	V <sub>OH</sub>	I <sub>OH</sub> = -1.0mA	0.8VDDI		VDDI	V	Note 1
Logic-low output voltage	V <sub>OL</sub>	I <sub>OL</sub> = +1.0mA	VSS		0.2VDDI	V	Note 1
Logic-high input current	I <sub>IH</sub>	V <sub>IN</sub> = VDDI			1	uA	Note 1
Logic-low input current	I <sub>IL</sub>	V <sub>IN</sub> = VSS	-1			uA	Note 1
Input leakage current	I <sub>IL</sub>	I <sub>OH</sub> = -1.0mA	-0.1		+0.1	uA	Note 1
<b>VCOM voltage</b>							
VCOM high voltage	VCOMH	C <sub>com</sub> =12nF	2.5		5.0	V	
VCOM low voltage	VCOML	C <sub>com</sub> =12nF	-2.5		0.0	V	
VCOM amplitude	VCOMAC	VCOMH-VCOML	4.0		6.0	V	
<b>Source driver</b>							
Source output range	V <sub>sout</sub>		0.1		AVDD-0.1	V	
Gamma reference voltage	GVDD		3.0		5.0	V	
Source output settling time	T <sub>r</sub>	Below with 99% precision		30		us	Note 2
Output deviation voltage (Source output channel)	V <sub>dev</sub>	S <sub>out</sub> >=4.2V, S <sub>out</sub> <=0.8V			20	mV	Note 2
		4.2V > S <sub>out</sub> > 0.8V			15	mV	
Output offset voltage	V <sub>OFFSET</sub>				35	mV	Note 3
<b>Step-up circuit</b>							
Internal reference voltage	V <sub>REF</sub>		0		1	%	
1st step-up (VDDx2) voltage	AVDD		4.95 <sup>*4</sup>		6.0 <sup>*5</sup>	V	
1st step-up (VDDx2) drop voltage	VDDx2,dorp	I AVDD = 1.0mA (with panel loading)			5%	%	
Linear range	V <sub>Linear</sub>		0.2		AVDD-0.2	V	

www. Note 1: VDDI=1.6 to 3.3V, VDD=2.5 to 3.3V, AGND=DGND=0V, T<sub>A</sub>=-30 to 70 °C

Note 2, Source channel loading= 10pF/channel, Gate channel loading=50pF/channel.

Note 3, The Max. value is between measured point of source output and gamma setting value.

Note 4, VDD=2.6V or VCI1=2.6V

Note 5, VDD=3.0V or VCI1=3.0V

## 7.3 Power consumption

Operation mode	Inversion mode	Image	Current consumption			
			Typical		Maximum	
			IDDI (uA)	IDD (mA)	IDDI (uA)	IDD (mA)
-Normal mode	One Line	Note 1	1	1.3		
	One Line	Note 2	1	1.1		
-Partial + Idle mode (40 lines)	One Line	Note 3	1	0.4		
-Sleep-in mode	N/A	N/A	1	0.0004		

*Notes:*

- 1. All pixels black.*
- 2. Grayscale from top to bottom.*
- 3. Black & white checker board 4 by 4.*

## 8. Timing chart

### 8.1 Parallel interface characteristics: 18, 16, 9 or 8-bits bus (8080-series MCU interface)

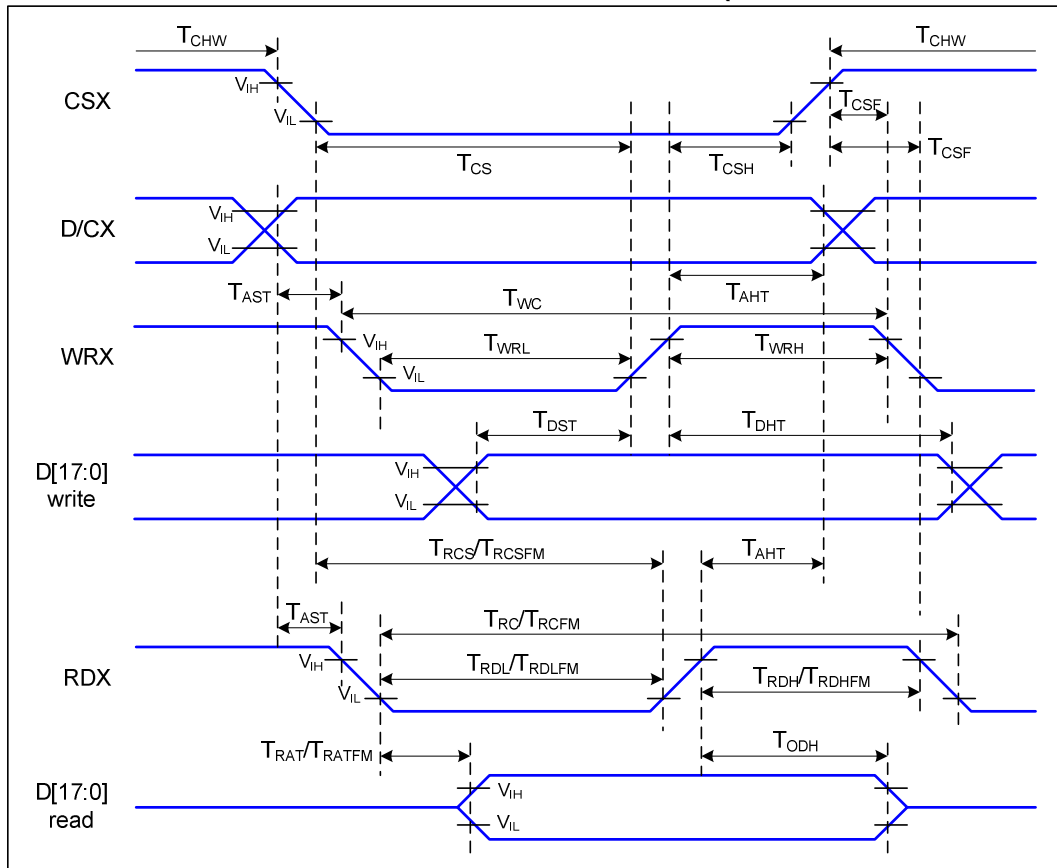


Fig. 8.1.1 Parallel interface timing characteristics (8080-series MCU interface)

Signal	Symbol	Parameter	Min	Max	Unit	Description
D/CX	$T_{AST}$	Address setup time	5		ns	-
	$T_{AHT}$	Address hold time (Write/Read)	10		ns	
CSX	$T_{CHW}$	Chip select "H" pulse width	0		ns	-(3-transfer for one pixel)
	$T_{CS}$	Chip select setup time (Write)	20		ns	
	$T_{RCS}$	Chip select setup time (Read ID)	20		ns	
	$T_{RCSFM}$	Chip select setup time (Read FM)	20		ns	
	$T_{CSF}$	Chip select wait time (Write/Read)	10		ns	
	$T_{CSH}$	Chip select hold time	20		ns	
WRX	$T_{WC}$	Write cycle	66		ns	
	$T_{WRH}$	Control pulse "H" duration	25		ns	
	$T_{WRL}$	Control pulse "L" duration	15		ns	
RDX (ID)	$T_{RC}$	Read cycle (ID)	160		ns	When read ID data
	$T_{RDH}$	Control pulse "H" duration (ID)	90		ns	
	$T_{RDLM}$	Control pulse "L" duration (ID)	45		ns	
RDX (FM)	$T_{RCFM}$	Read cycle (FM)	169		ns	When read from frame memory
	$T_{RDHF}$	Control pulse "H" duration (FM)	90		ns	
	$T_{RDLF}$	Control pulse "L" duration (FM)	45		ns	
D[17:0]	$T_{DST}$	Data setup time	15		ns	For maximum $C_L=30pF$ For minimum $C_L=8pF$
	$T_{DHT}$	Data hold time	15		ns	
	$T_{RAT}$	Read access time (ID)		40	ns	
	$T_{RATFM}$	Read access time (FM)		340	ns	
	$T_{ODH}$	Output disable time	20	80	ns	

Note 1:  $V_{DD1}=1.6$  to  $3.3V$ ,  $V_{DD}=2.5$  to  $3.3V$ ,  $AGND=DGND=0V$ ,  $T_a=-30$  to  $70$  °C

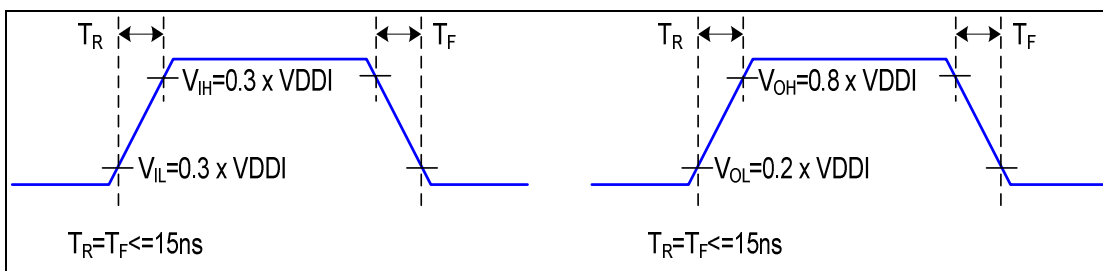


Fig. 8.1.2 Rising and falling timing for input and output signal

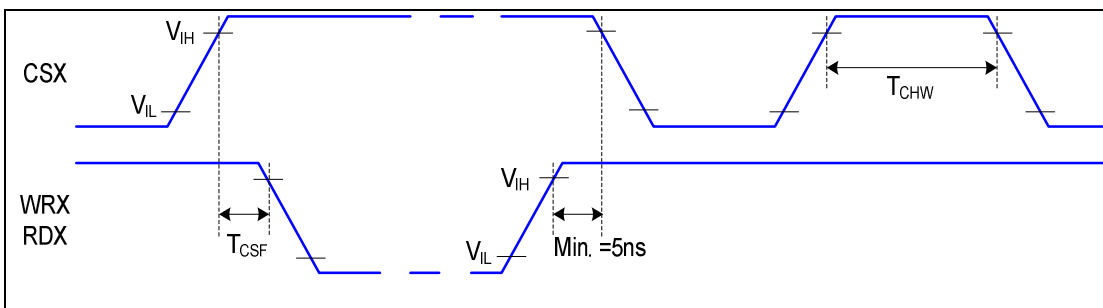


Fig.8.1.3 Chip selection (CSX) timing

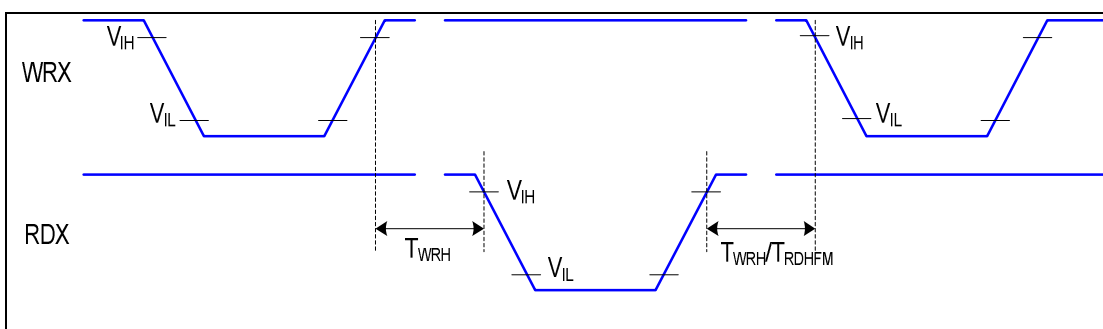


Fig. 8.1.4 Write-to-read and read-to-write timing

NOTE: The rising time and falling time ( $T_r$ ,  $T_f$ ) of input signal are specified at 15 ns or less. Logic high and low levels are specified as 30% and 70% of VDDI for Input signals.

8.2 Parallel interface characteristics: 18, 16, 9 or 8-bits bus (6800-series MCU interface)

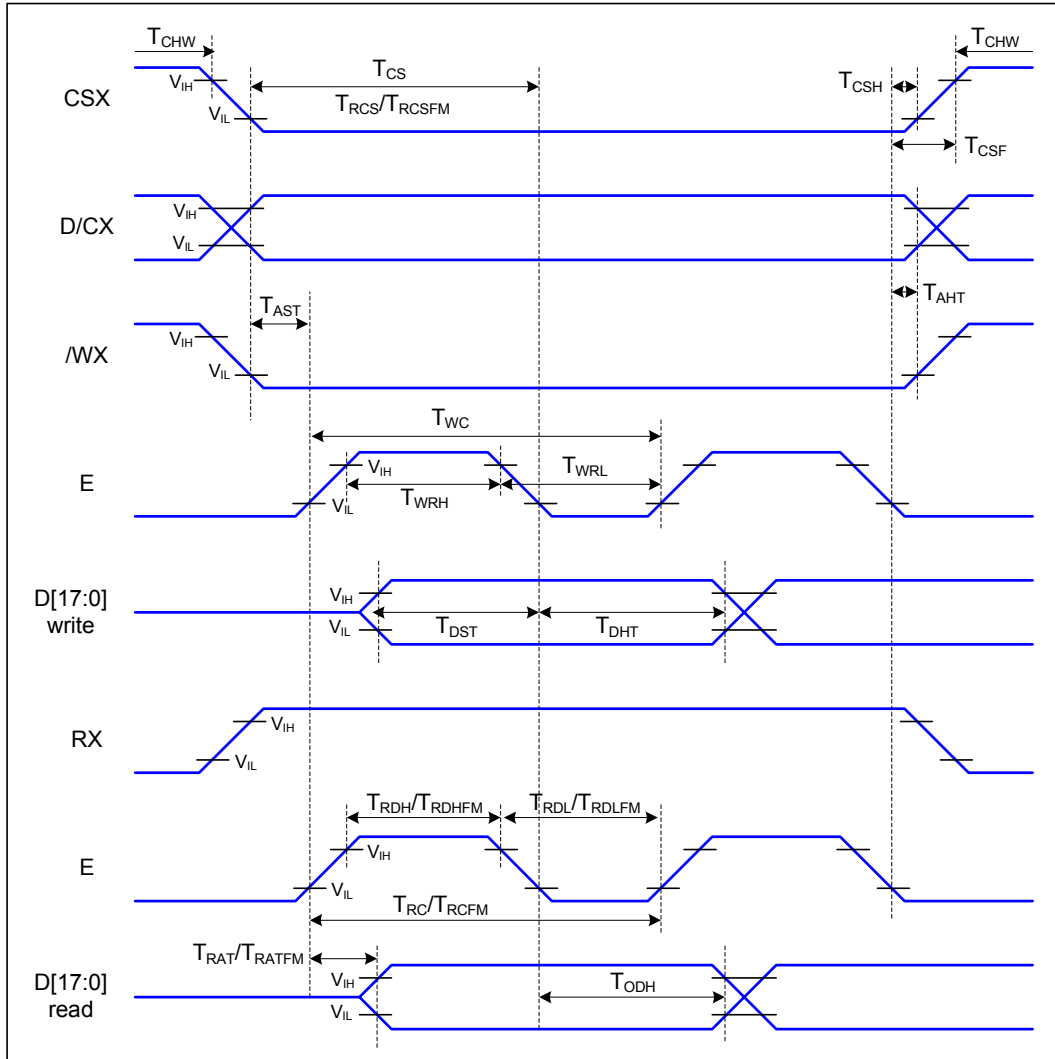


Fig. 8.2.1 Parallel interface timing characteristics (6800-series MCU interface)

Signal	Symbol	Parameter	Min	Max	Unit	Description
D/CX	T <sub>AST</sub>	Address setup time	5		ns	-
	T <sub>AHT</sub>	Address hold time (Write/Read)	10		ns	
CSX	T <sub>CHW</sub>	Chip select "H" pulse width	0		ns	-
	T <sub>CS</sub>	Chip select setup time (Write)	20		ns	
	T <sub>RCS</sub>	Chip select setup time (Read ID)	20		ns	
	T <sub>RCSFM</sub>	Chip select setup time (Read FM)	20		ns	
	T <sub>CSF</sub>	Chip select wait time (Write/Read)	5		ns	
	T <sub>CSH</sub>	Chip select hold time	20		ns	
WRX	T <sub>WC</sub>	Write cycle	66		ns	-
	T <sub>WRH</sub>	Control pulse "H" duration	25		ns	
	T <sub>WRL</sub>	Control pulse "L" duration	15		ns	
RDX (ID)	T <sub>RC</sub>	Read cycle (ID)	160		ns	When read ID data
	T <sub>RDH</sub>	Control pulse "H" duration (ID)	90		ns	
	T <sub>RDL</sub>	Control pulse "L" duration (ID)	45		ns	
RDX (FM)	T <sub>RCFM</sub>	Read cycle (FM)	160		ns	When read from frame memory
	T <sub>RDHFM</sub>	Control pulse "H" duration (FM)	90		ns	
	T <sub>RDLFM</sub>	Control pulse "L" duration (FM)	45		ns	
D[17:0]	T <sub>DST</sub>	Data setup time	15		ns	For maximum CL=30pF For minimum CL=8pF
	T <sub>DHT</sub>	Data hold time	15		ns	
	T <sub>RAT</sub>	Read access time (ID)		40	ns	
	T <sub>RATFM</sub>	Read access time (FM)		340	ns	
	T <sub>ODH</sub>	Output disable time	20	80	ns	

Note 1: VDDI=1.6 to 3.3V, VDD=2.5 to 3.3V, AGND=DGND=0V, Ta=-30 to 70°C

Note 2: The rising time and falling time (Tr, Tf) of input signal are specified at 15 ns or less. Logic high and low levels are specified as 30% and 70% of VDDI for Input signals.

## 8.3 Serial interface characteristics (3-line serial)

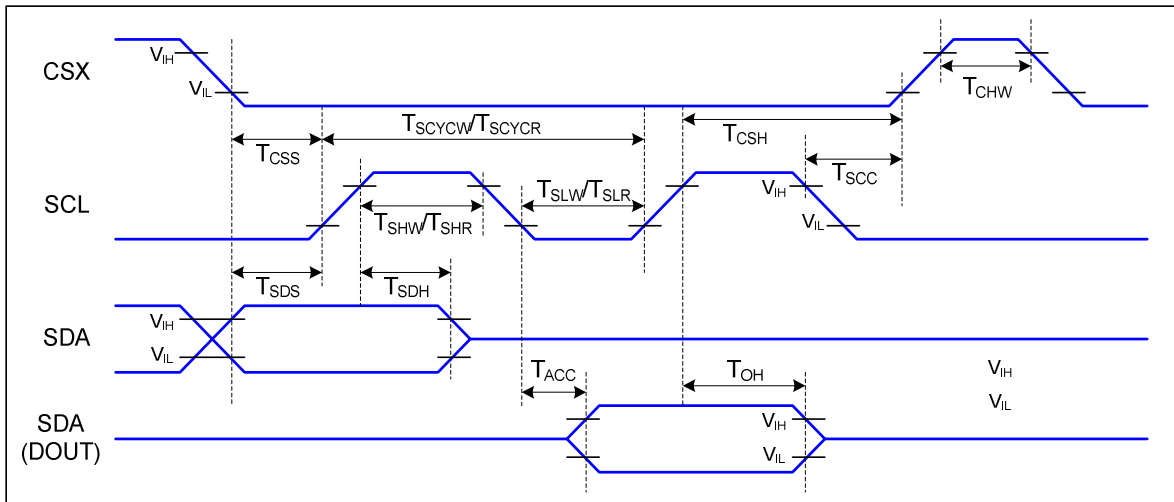


Fig. 8.3.1 3-line serial interface timing

Signal	Symbol	Parameter	Min	Max	Unit	Description
CSX	T <sub>CSS</sub>	Chip select setup time	45		ns	
	T <sub>CSH</sub>	Chip select hold time	45		ns	
	T <sub>CSS</sub>	Chip select setup time	12		ns	
	T <sub>SCC</sub>	Chip select hold time	20		ns	
	T <sub>CHW</sub>	Chip select "H" pulse width	0		ns	
SCL	T <sub>SCYCW</sub>	Serial clock cycle (Write)	66		ns	
	T <sub>SHW</sub>	SCL "H" pulse width (Write)	15		ns	
	T <sub>SLW</sub>	SCL "L" pulse width (Write)	15		ns	
	T <sub>SCYCR</sub>	Serial clock cycle (Read)	150		ns	
	T <sub>SHR</sub>	SCL "H" pulse width (Read)	60		ns	
	T <sub>SLR</sub>	SCL "L" pulse width (Read)	60		ns	
SDA (DIN) (DOUT)	T <sub>SDS</sub>	Data setup time	10		ns	For maximum CL=30pF For minimum CL=8pF
	T <sub>SDH</sub>	Data hold time	10		ns	
	T <sub>ACC</sub>	Access time	10	40	ns	
	T <sub>OH</sub>	Output disable time		40	ns	

Table 8.3: 3-line Serial Interface Characteristics

Note 1: V<sub>DDI</sub>=1.6 to 3.3V, V<sub>DD</sub>=2.5 to 3.3V, AGND=DGND=0V, T<sub>a</sub>=-30 to 70°C

Note 2: The rising time and falling time (T<sub>r</sub>, T<sub>f</sub>) of input signal are specified at 15 ns or less. Logic high and low levels are specified as 30% and 70% of V<sub>DDI</sub> for Input signals.



## 8.4 Serial interface characteristics (4-line serial)

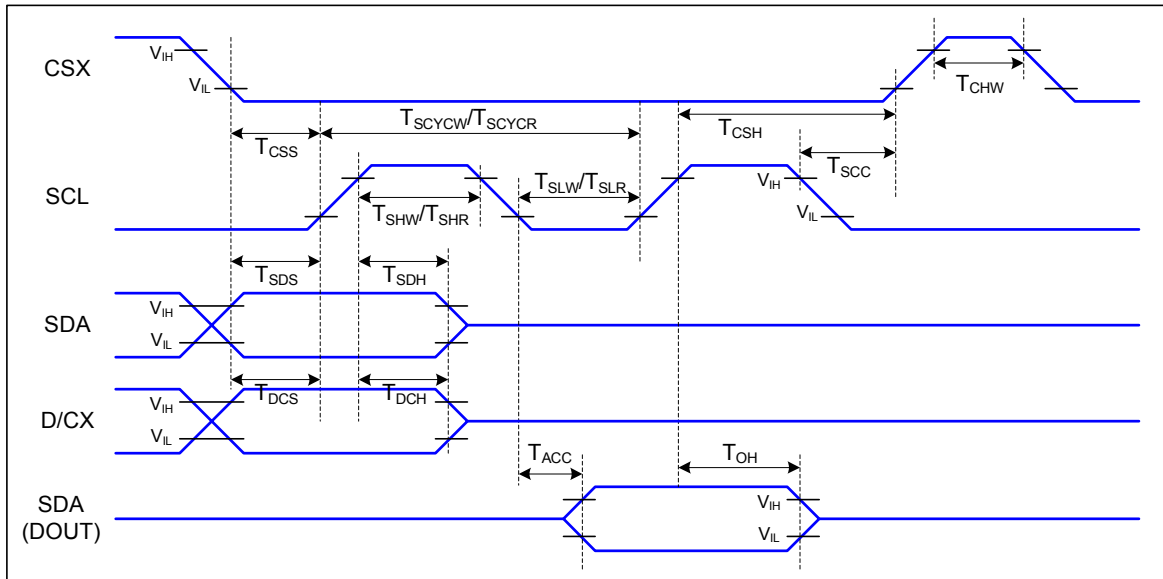


Fig. 8.4.1 4-line serial interface timing

Signal	Symbol	Parameter	MIN	MAX	Unit	Description
CSX	T <sub>CSS</sub>	Chip select setup time (write)	45		ns	
	T <sub>CSH</sub>	Chip select hold time (write)	45		ns	
	T <sub>CSS</sub>	Chip select setup time (read)	12		ns	
	T <sub>SCC</sub>	Chip select hold time (read)	20		ns	
	T <sub>CHW</sub>	Chip select "H" pulse width	0		ns	
SCL	T <sub>SCYCW</sub>	Serial clock cycle (Write)	66		ns	-write command & data ram
	T <sub>SHW</sub>	SCL "H" pulse width (Write)	15		ns	
	T <sub>SLW</sub>	SCL "L" pulse width (Write)	15		ns	
	T <sub>SCYCR</sub>	Serial clock cycle (Read)	150		ns	-read command & data ram
	T <sub>SHR</sub>	SCL "H" pulse width (Read)	60		ns	
	T <sub>SLR</sub>	SCL "L" pulse width (Read)	60		ns	
D/CX	T <sub>DCS</sub>	D/CX setup time	10		Ns	
	T <sub>DCH</sub>	D/CX hold time	10		ns	
SDA (DIN) (DOUT)	T <sub>SDS</sub>	Data setup time	10		ns	
	T <sub>SDH</sub>	Data hold time	10		ns	
	T <sub>ACC</sub>	Access time	10	40	ns	For maximum CL=30pF
	T <sub>OH</sub>	Output disable time		40	ns	For minimum CL=8pF

Table 8.4: 4-line Serial Interface Characteristics

Note 1: VDDI=1.6 to 3.3V, VDD=2.5 to 3.3V, AGND=DGND=0V, Ta=-30 to 70 °C

Note 2: The rising time and falling time (Tr, Tf) of input signal are specified at 15 ns or less. Logic high and low levels are specified as 30% and 70% of VDDI for Input signals.

## 9. Function description

### 9.1 Interface type selection

The selection of given interfaces are done by setting P68, IM2, IM1, and IM0 pins as shown in following table.

Table 9.1.1 Selection of MCU interface

P68	IM2	IM1	IM0	Interface	Read back selection
-	0	-	-	3-line serial interface	Via the read instruction
0	1	0	0	8080 MCU 8-bit parallel	RDX strobe (8-bit read data and 8-bit read parameter)
0	1	0	1	8080 MCU 16-bit parallel	RDX strobe (16-bit read data and 8-bit read parameter)
0	1	1	0	8080 MCU 9-bit parallel	RDX strobe (9-bit read data and 8-bit read parameter)
0	1	1	1	8080 MCU 18-bit parallel	RDX strobe (18-bit read data and 8-bit read parameter)
-	0	-	-	3-line serial interface	Via the read instruction
1	1	0	0	6800 MCU 8-bit parallel	E strobe (8-bit read data and 8-bit read parameter)
1	1	0	1	6800 MCU 16-bit parallel	E strobe (16-bit read data and 8-bit read parameter)
1	1	1	0	6800 MCU 9-bit parallel	E strobe (9-bit read data and 8-bit read parameter)
1	1	1	1	6800 MCU 18-bit parallel	E strobe (18-bit read data and 8-bit read parameter)

Table 9.1.2 Pin connection according to various MCU interface

P68	IM2	IM1	IM0	Interface	RDX	WRX	D/CX	Read back selection
-	0	-	-	3-line serial interface	Note1	Note1	SCL	D[17:1]: unused, D0: SDA
0	1	0	0	8080 8-bit parallel	RDX	WRX	D/CX	D[17:8]: unused, D7-D0: 8-bit data
0	1	0	1	8080 16-bit parallel	RDX	WRX	D/CX	D[17:16]: unused, D15-D0: 16-bit data
0	1	1	0	8080 9-bit parallel	RDX	WRX	D/CX	D[17:9]: unused, D8-D0: 9-bit data
0	1	1	1	8080 18-bit parallel	RDX	WRX	D/CX	D17-D0: 18-bit data
-	0	-	-	3-line serial interface	Note1	D/CX	SCL	D[17:1]: unused, D0: SDA
1	1	0	0	6800 8-bit parallel	E	WRX	RS	D[17:8]: unused, D7-D0: 8-bit data
1	1	0	1	6800 16-bit parallel	E	WRX	RS	D[17:16]: unused, D15-D0: 16-bit data
1	1	1	0	6800 9-bit parallel	E	WRX	RS	D[17:9]: unused, D8-D0: 9-bit data
1	1	1	1	6800 18-bit parallel	E	WRX	RS	D17-D0: 18-bit data

Note 1. Unused pins can be open, or connected to DGND or VDDI.

### 9.2 8080-series MCU parallel interface (P68='0')

The MCU can use one of following interfaces: 11-lines with 8-data parallel interface, 12-lines with 9-data parallel interface, 19-line with 16-data parallel interface or 21-lines with 18-data parallel interface. The chip-select CSX (active low) enables/disables the parallel interface. RESX (active low) is an external reset signal. WRX is the parallel data write enable, RDX is the parallel data read enable and D[17:0] is parallel data bus.

The LCD driver reads the data at the rising edge of WRX signal. The D/CX is the data/command flag. When D/CX='1', D[17:0] bits is either display data or command parameter. When D/C='0', D[17:0] bits is command.

The 6800-series bi-directional interface can be used for communication between the micro controller and LCD driver. The selection of this interface is done when P68 pin is in low state (DGND). Interface bus width can be selected with IM2, IM1 and IM0. The interface functions of 8080-series parallel interface are given in following table.

Table 9.2.1 The function of 8080-series parallel interface

P68	IM2	IM1	IM0	Interface	D/CX	RDX	WRX	Read back selection
0	1	0	0	8-bit parallel	0	1	↑	Write 8-bit command (D7 to D0)
					1	1	↑	Write 8-bit display data or 8-bit parameter (D7 to D0)
					1	↑	1	Read 8-bit display data (D7 to D0)
					1	↑	1	Read 8-bit parameter or status (D7 to D0)
0	1	0	1	16-bit parallel	0	1	↑	Write 8-bit command (D7 to D0)
					1	1	↑	Write 16-bit display data or 8-bit parameter (D15 to D0)
					1	↑	1	Read 16-bit display data (D15 to D0)
					1	↑	1	Read 8-bit parameter or status (D7 to D0)
0	1	1	0	9-bit parallel	0	1	↑	Write 8-bit command (D7 to D0)
					1	1	↑	Write 9-bit display data or 8-bit parameter (D8 to D0)
					1	↑	1	Read 9-bit display data (D8 to D0)
					1	↑	1	Read 8-bit parameter or status (D7 to D0)
0	1	1	1	18-bit parallel	0	1	↑	Write 8-bit command (D7 to D0)
					1	1	↑	Write 18-bit display data or 8-bit parameter (D17 to D0)
					1	↑	1	Read 18-bit display data (D17 to D0)
					1	↑	1	Read 8-bit parameter or status (D7 to D0)

Note: applied for command code: DAh, DBh, DCh, 04h, 09h, 0Ah, 0Bh, 0Ch, 0Dh, 0Eh, 0Fh

## 9.2.1 Write cycle sequence

The write cycle means that the host writes information (command or/and data) to the display via the interface. Each write cycle (WRX high-low-high sequence) consists of 3 control signals (D/CX, RDX, WRX) and data signals (D[17:0]). D/CX bit is a control signal, which tells if the data is a command or a data. The data signals are the command if the control signal is low (=0) and vice versa it is data (=1').

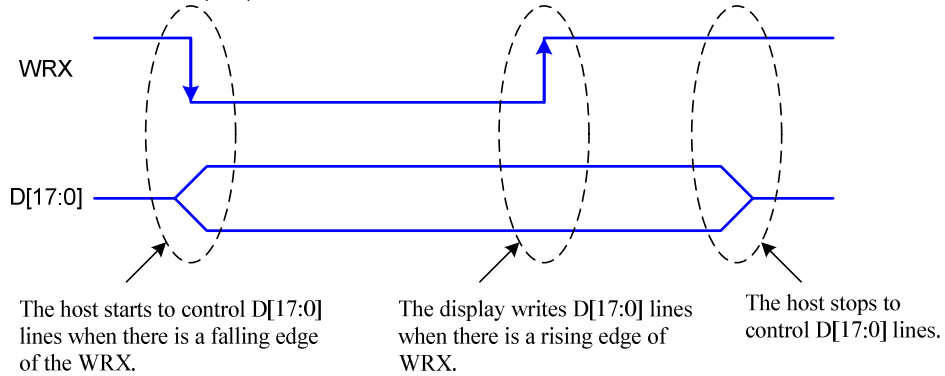


Fig. 9.2.1 8080-series WRX protocol

Note: WRX is an unsynchronized signal (It can be stopped).

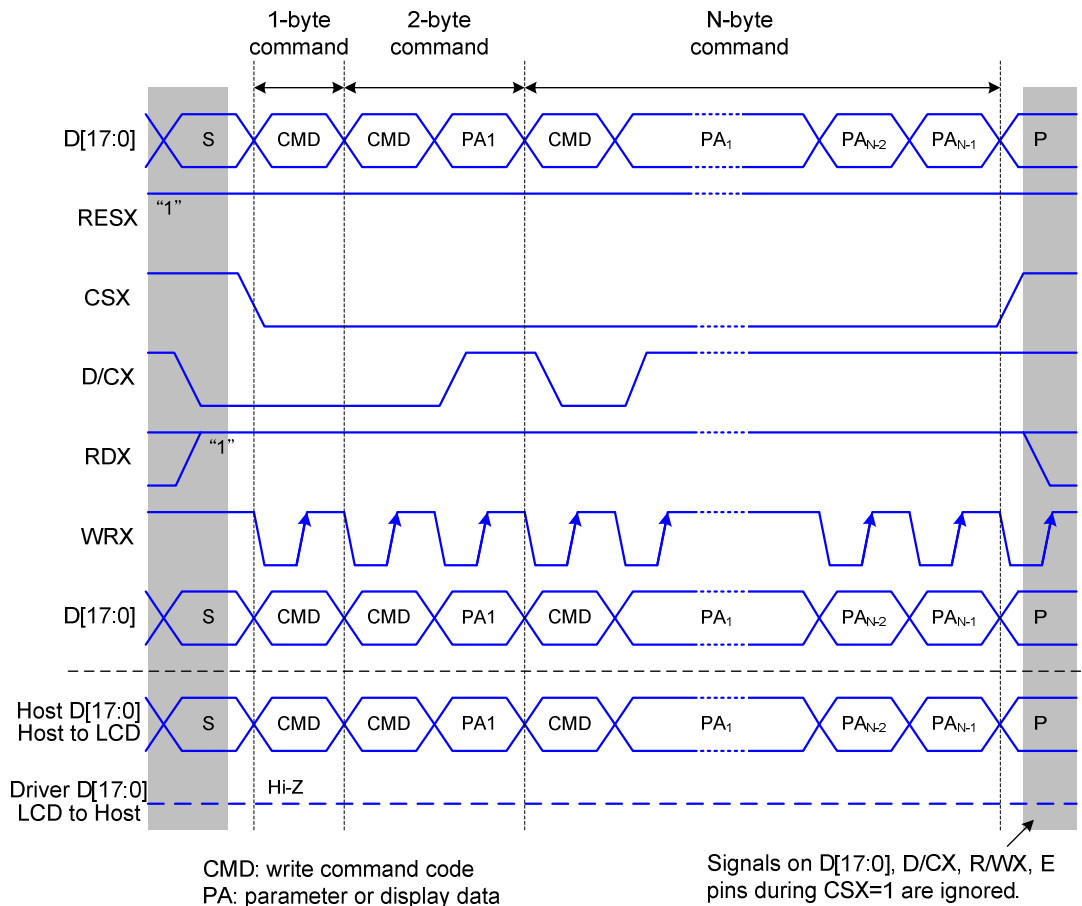


Fig. 9.2.2 8080-series parallel bus protocol, write to register or display RAM

## 9.2.2 Read cycle sequence

The read cycle (RDX high-low-high sequence) means that the host reads information from LCD driver via interface. The driver sends data (D[17:0]) to the host when there is a falling edge of RDX and the host reads data when there is a rising edge of RDX.

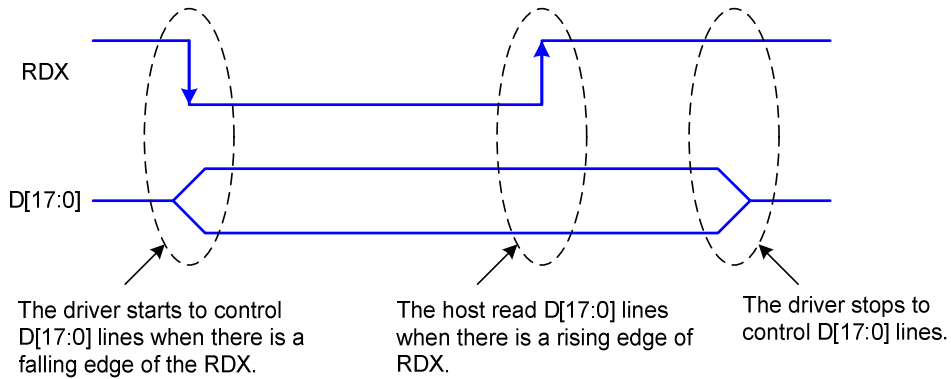


Fig. 9.2.3 8080-series RDX protocol

Note: RDX is an unsynchronized signal (It can be stopped).

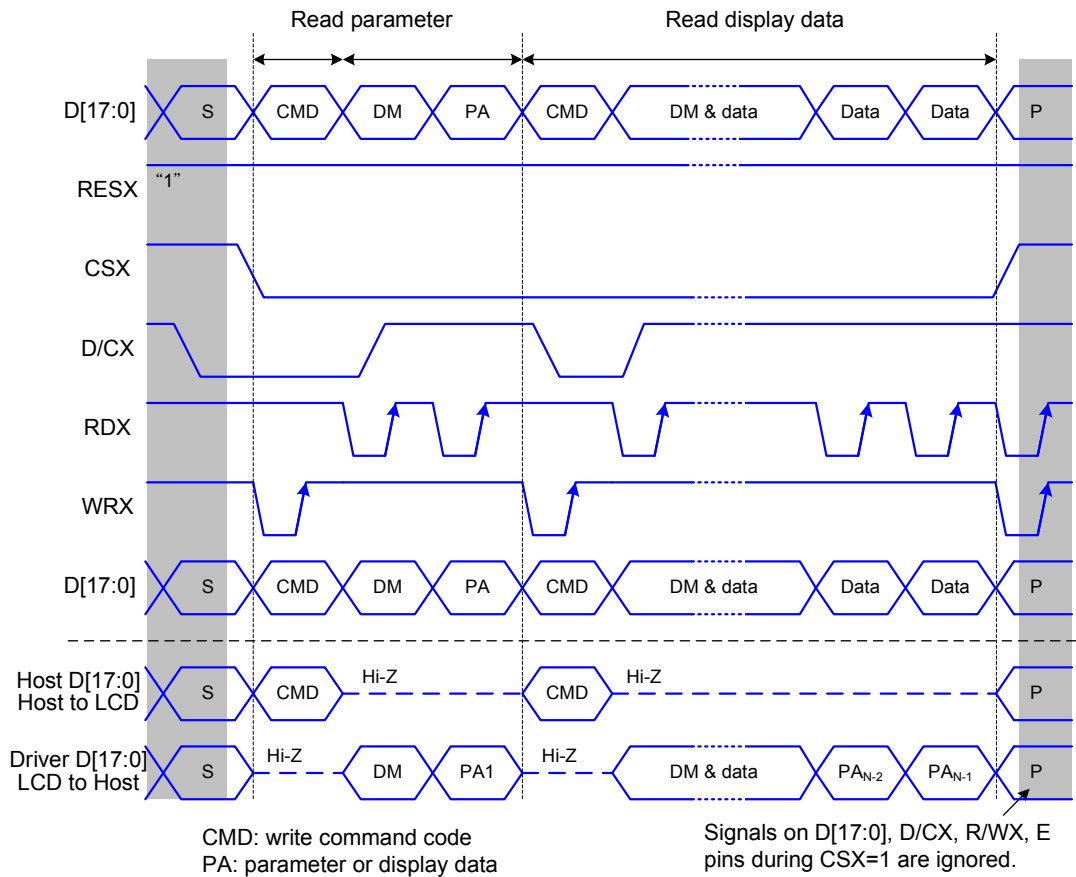


Fig. 9.2.4 8080-series parallel bus protocol, read data from register or display RAM

## 9.3 6800-Series Parallel Interface (P68='1')

The MCU uses one of following interface: 11-lines with 8-data parallel interface, 12-lines with 9-data parallel interface, 19-lines with 16-data parallel interface, or 21-lines with 18-data parallel interface. The chip-select CSX(active low) enables and disables the parallel interface. RESX (active low) is an external reset signal. The R/WX is the Read/Write flag and D[17:0] is parallel data bus.

The LCD driver reads the data at the falling edge of E signal when R/WX= '1' and Writes the data at the falling of the E signal when R/WX='0'. The D/CX is the data/command flag. When D/CX='1', D[17:0] bits are display RAM data or command parameters. When D/C= '0', D[17:0] bits are commands.

The 6800-series bi-directional interface can be used for communication between the micro controller and LCD driver. The selection of this interface is done when P68 pin is high state (VDDI). Interface bus width can be selected with IM2, IM1 and IM0.

The interface functions of 6800-series parallel interface are given in Table 9.3.1.

Table 9.3.1 The function of 6800-series parallel interface

P68	IM2	IM1	IM0	Interface	D/CX	R/WX	E	Function
1	1	0	0	8-bit Parallel	0	0	↓	Write 8-bit command (D7 to D0)
					1	0	↓	Write 8-bit display data or 8-bit parameter (D7 to D0)
					1	1	↓	Read 8-bit Display data (D7 to D0)
					1	1	↓	Read 8-bit parameter or status (D7 to D0)
1	1	0	1	16-bit Parallel	0	0	↓	Write 8-bit command (D7 to D0)
					1	0	↓	Write 16-bit display data or 8-bit parameter (D15 to D0)
					1	1	↓	Read 16-bit Display data (D15 to D0)
					1	1	↓	Read 8-bit parameter or status (D7 to D0)
1	1	1	0	9-bit Parallel	0	0	↓	Write 8-bit command (D7 to D0)
					1	0	↓	Write 9-bit display data or 8-bit parameter (D8 to D0)
					1	1	↓	Read 9-bit Display data (D8 to D0)
					1	1	↓	Read 8-bit parameter or status (D7 to D0)
1	1	1	1	18-bit Parallel	0	0	↓	Write 8-bit command (D7 to D0)
					1	0	↓	Write 18-bit display data or 8-bit parameter (D17 to D0)
					1	1	↓	Read 18-bit Display data (D17 to D0)
					1	1	↓	Read 8-bit parameter or status (D7 to D0)

Note: applied for command code: DAh, DBh, DCh, 04h, 09h, 0Ah, 0Bh, 0Ch, 0Dh, 0Eh, 0Fh.

### 9.3.1 Write cycle sequence

The write cycle means that the host writes information (command or/and data) to the display via the interface. Each write cycle (E low-high-low sequence) consists of 3 control signals (D/CX, E, R/WX) and data signals (D[17:0]). D/CX bit is a control signal, which tells if the data is a command or a data. The data signals are the command if the control signal is low (= '0') and vice versa it is data (= '1').

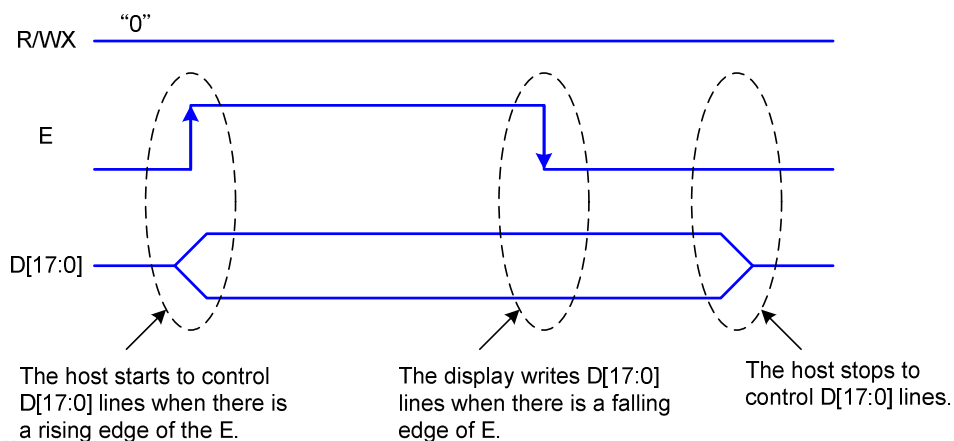
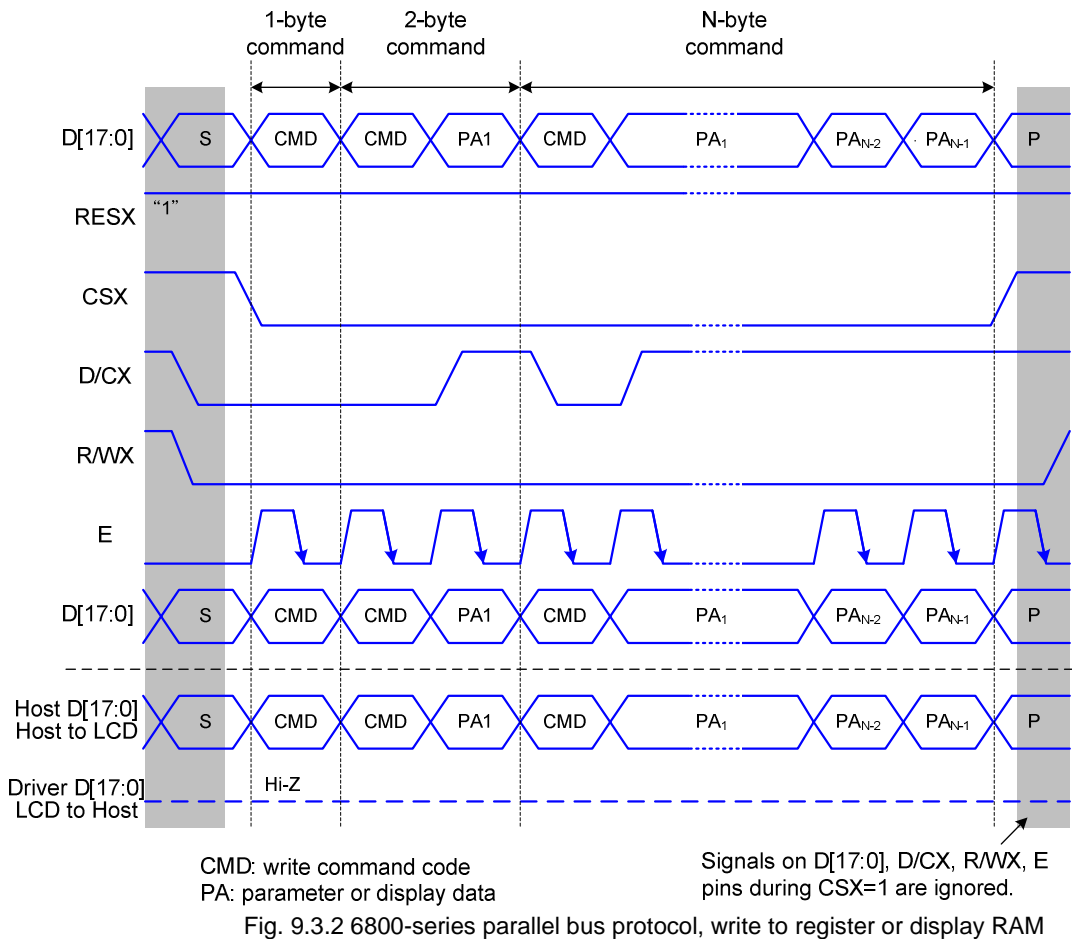


Fig. 9.3.1 6800-Series Write Protocol

Note: E is an unsynchronized signal (It can be stopped)



9.3.2 Read cycle sequence

The read cycle (E low-high-low sequence) means that the host reads information from LCD driver via interface. The driver sends data (D[17:0]) to the host when there is a rising edge of E and the host reads data when there is a falling edge of E.

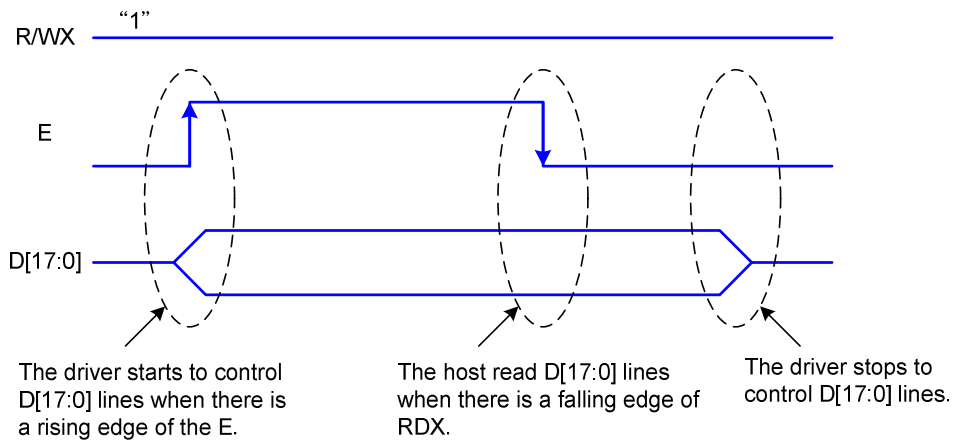


Fig. 9.3.3 6800-series read protocol

Note: E is an unsynchronized signal (It can be stopped)

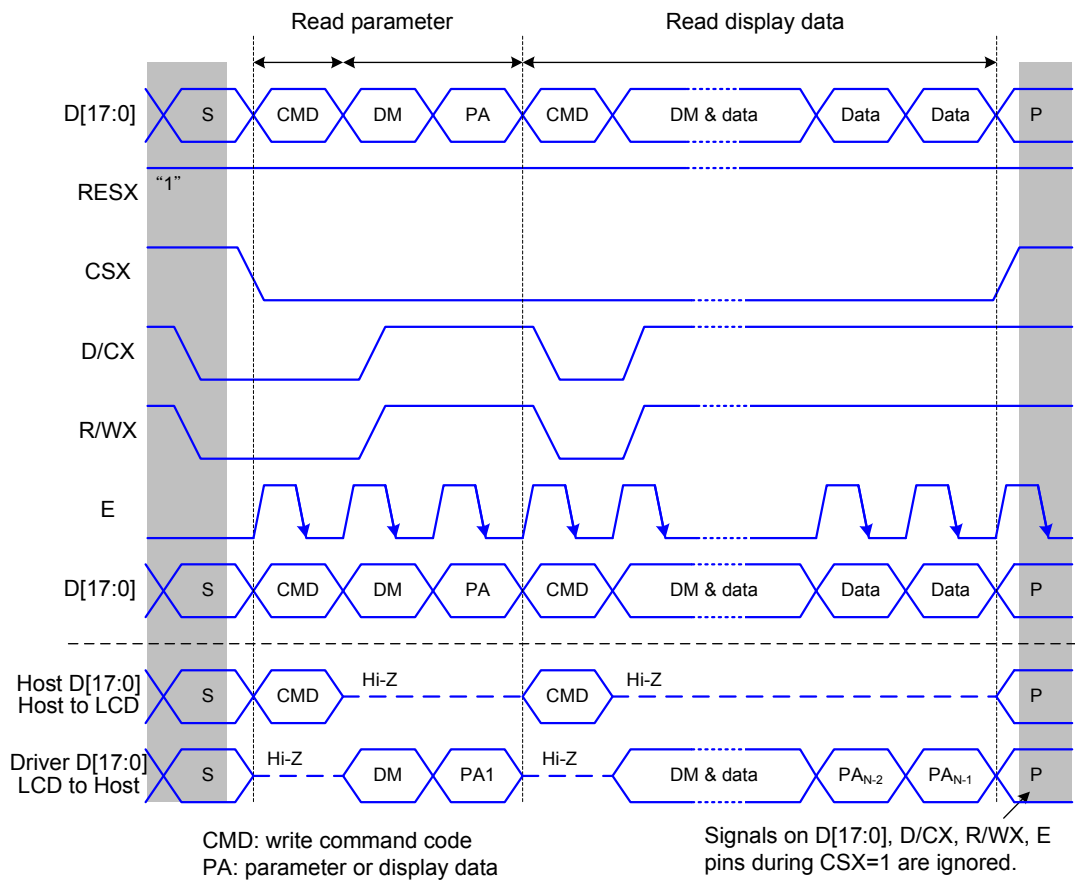


Fig. 9.3.4 6800-series parallel bus protocol, read data form register or display RAM

## 9.4 Serial interface

The selection of this interface is done by IM2. See the Table 9.4.1.

Table 9.4.1 Selection of serial interface

IM2	4WSPI	Interface	Read back selection
0	0	3-line serial interface	Via the read instruction (8-bit, 24-bit and 32-bit read parameter)
0	1	4-line serial interface	Via the read instruction (8-bit, 24-bit and 32-bit read parameter)

The serial interface is either 3-lines/9-bits or 4-lines/8-bits bi-directional interface for communication between the micro controller and the LCD driver. The 3-lines serial interface use: CSX (chip enable), SCL (serial clock) and SDA (serial data input/output), and the 4-lines serial interface use: CSX (chip enable), D/CX (data/ command flag), SCL (serial clock) and SDA (serial data input/output). Serial clock (SCL) is used for interface with MCU only, so it can be stopped when no communication is necessary.

### 9.4.1 Command Write Mode

The write mode of the interface means the micro controller writes commands and data to the LCD driver. 3-lines serial data packet contains a control bit D/CX and a transmission byte. In 4-lines serial interface, data packet contains just transmission byte and control bit D/CX is transferred by the D/CX pin. If D/CX is "low", the transmission byte is interpreted as a command byte. If D/CX is "high", the transmission byte is stored in the display data RAM (memory write command), or command register as parameter.

Any instruction can be sent in any order to the driver. The MSB is transmitted first. The serial interface is initialized when CSX is high. In this state, SCL clock pulse or SDA data have no effect. A falling edge on CSX enables the serial interface and indicates the start of data transmission.

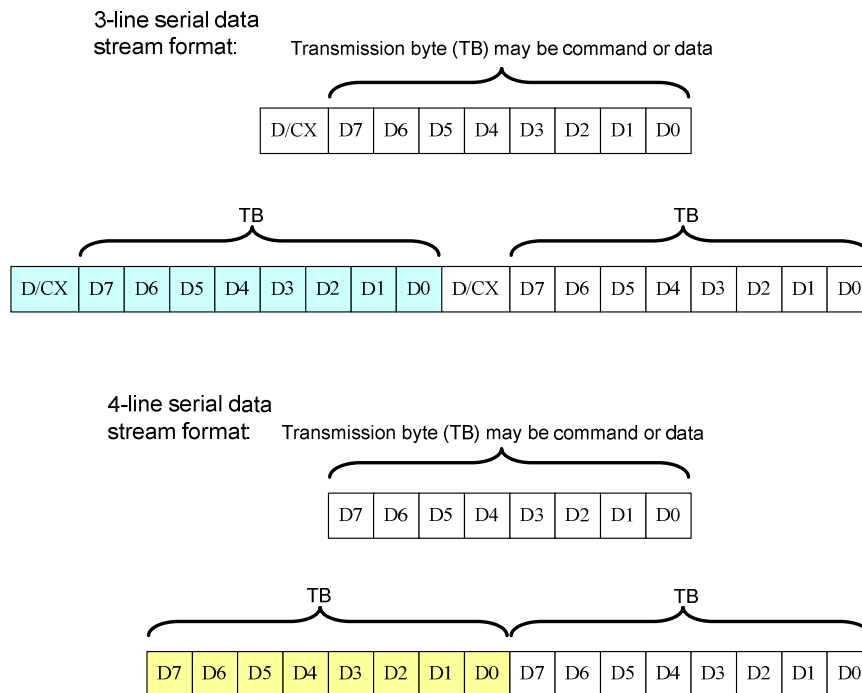


Fig. 9.4.1 Serial interface data stream format

When CSX is "high", SCL clock is ignored. During the high period of CSX the serial interface is initialized. At the falling edge of CSX, SCL can be high or low (see Fig 9.4.2). SDA is sampled at the rising edge of SCL. D/CX indicates whether the byte is command (D/CX='0') or parameter/RAM data (D/CX='1'). D/CX is sampled when first rising edge of SCL (3-lines serial interface) or 8th rising edge of SCL (4-lines serial interface). If CSX stays low after the last bit of command/data byte, the serial interface expects the D/CX bit (3-lines serial interface) or D7 (4-lines serial interface) of the next byte at the next rising edge of SCL.



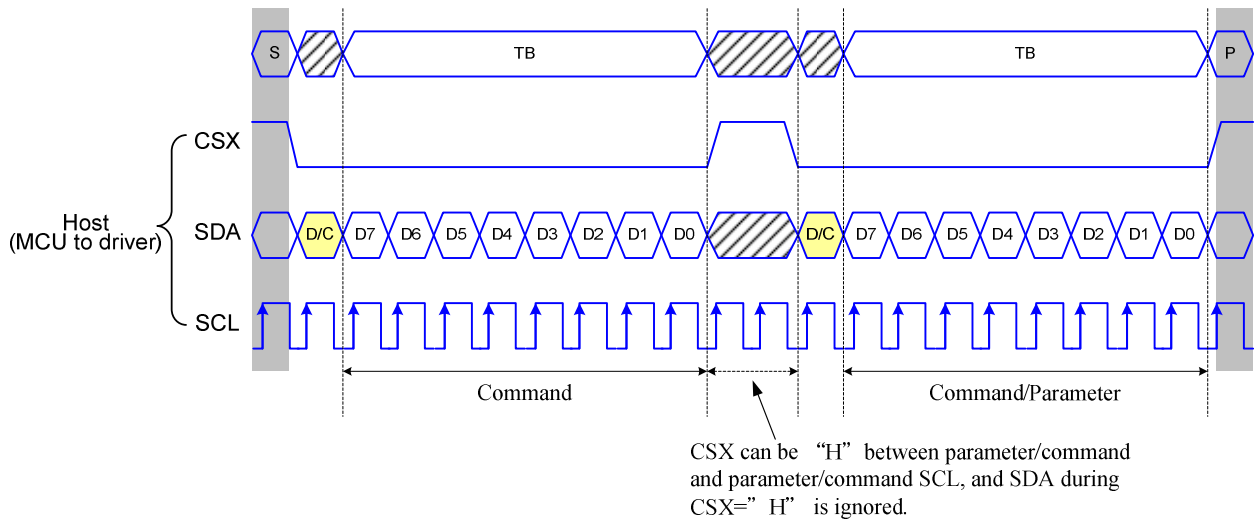


Fig. 9.4.2 3-line serial interface write protocol (write to register with control bit in transmission)

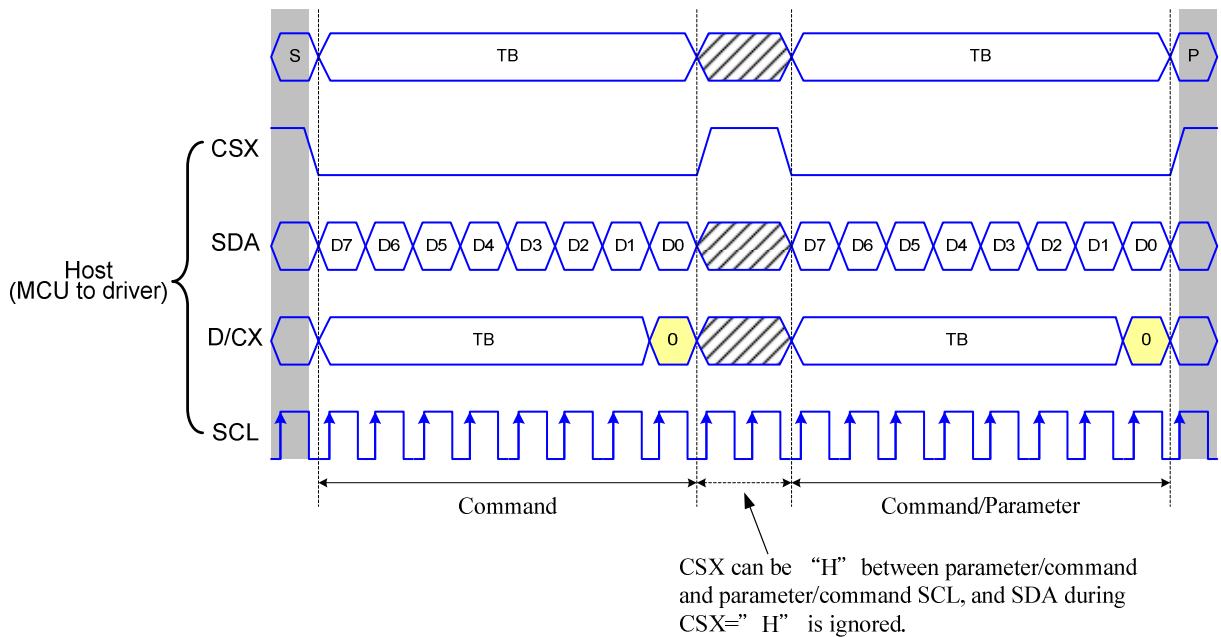


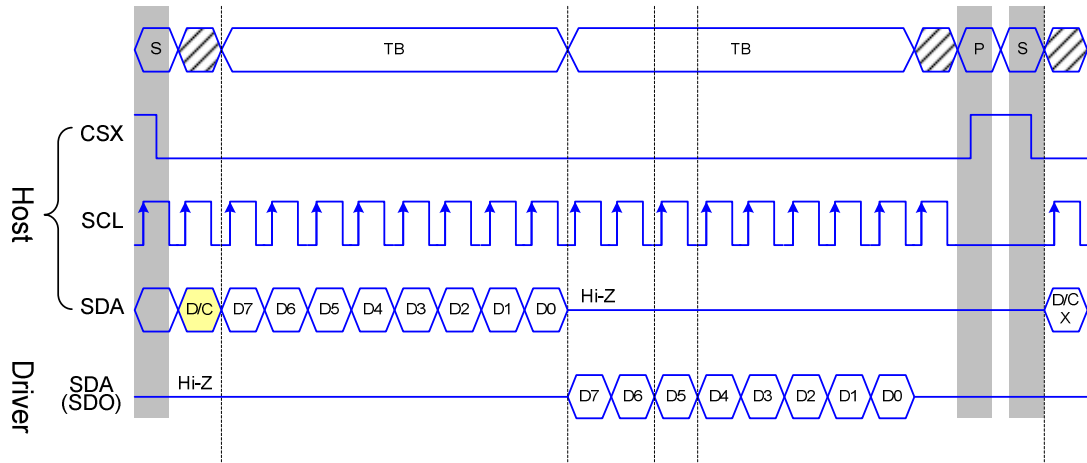
Fig. 9.4.3 4-line serial interface write protocol (write to register with control bit in transmission)

### 9.4.2 Read Functions

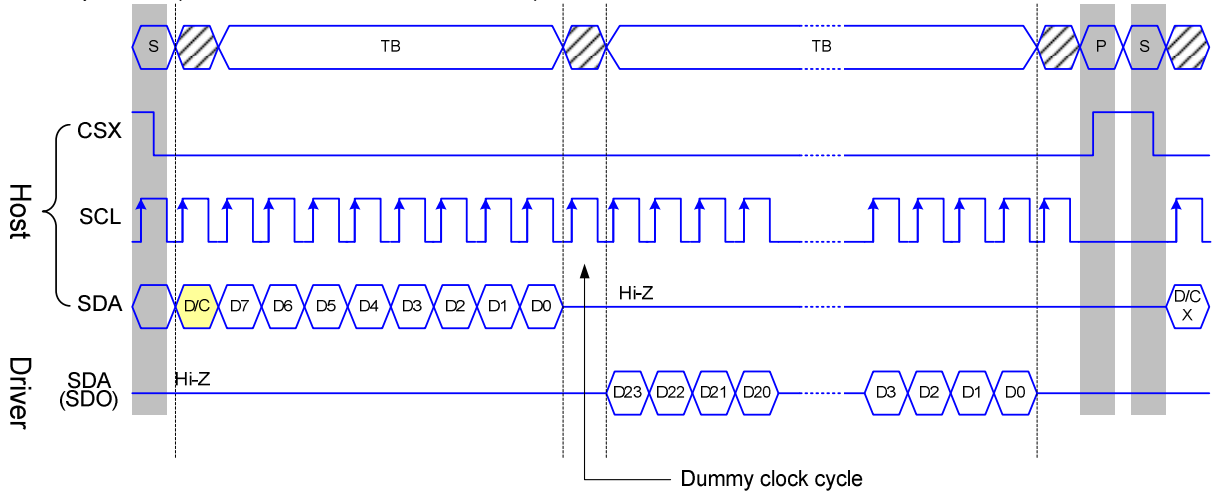
The read mode of the interface means that the micro controller reads register value from the driver. To achieve read function, the micro controller first has to send a command (read ID or register command) and then the following byte is transmitted in the opposite direction. After that CSX is required to go to high before a new command is send (see the below figure). The driver samples the SDA (input data) at rising edge of SCL, but shifts SDA (output data) at the falling edge of SCL. Thus the micro controller is supported to read at the rising edge of SCL.

After the read status command has been sent, the SDA line must be set to tri-state no later than at the falling edge of SCL of the last bit.

3-line serial protocol (for RDID1/RDID2/RDID3/0Ah/0Bh/0Ch/0Dh/0Eh/0Fh command: 8-bit read):



3-line serial protocol (for RDDID command: 24-bit read)



3-line Serial Protocol (for RDDST command: 32-bit read)

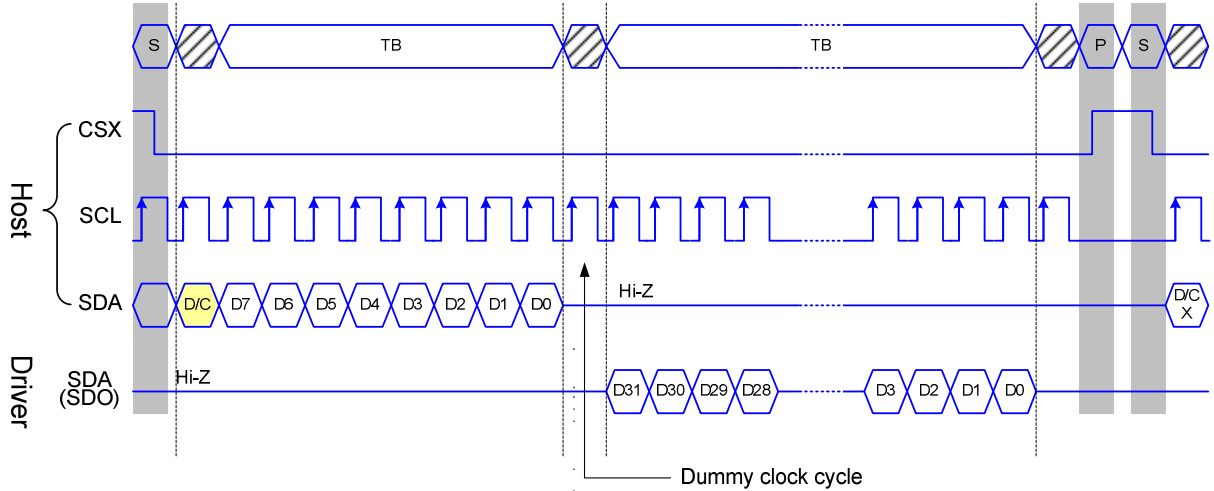
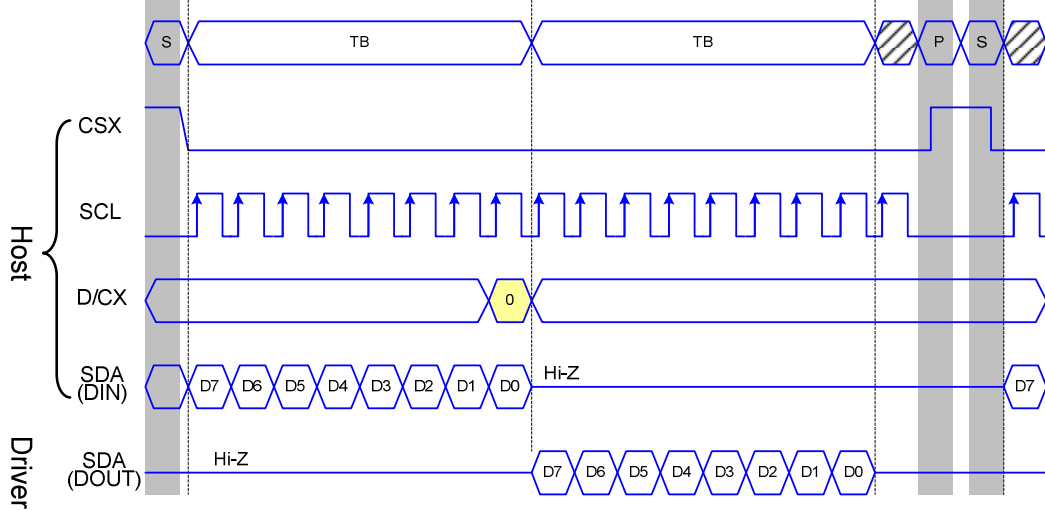
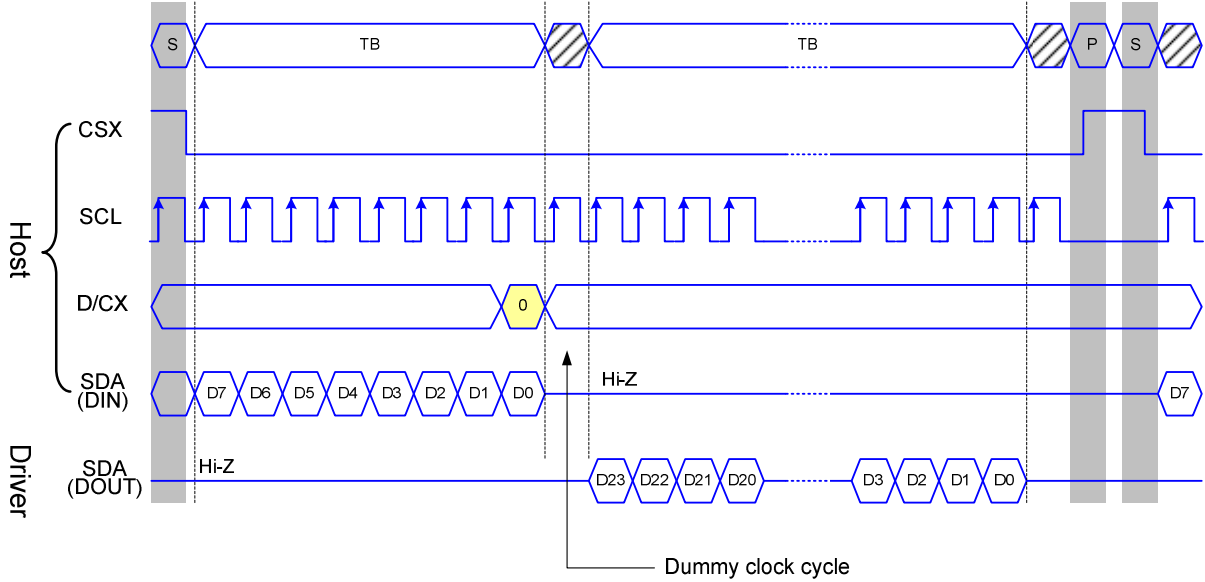


Fig. 9.4.4 3-line serial interface read protocol

4-line serial protocol (for RDID1/RDID2/RDID3/0Ah/0Bh/0Ch/0Dh/0Eh/0Fh command: 8-bit read):



4-line serial protocol (for RDDID command: 24-bit read)



4-line Serial Protocol (for RDDST command: 32-bit read)

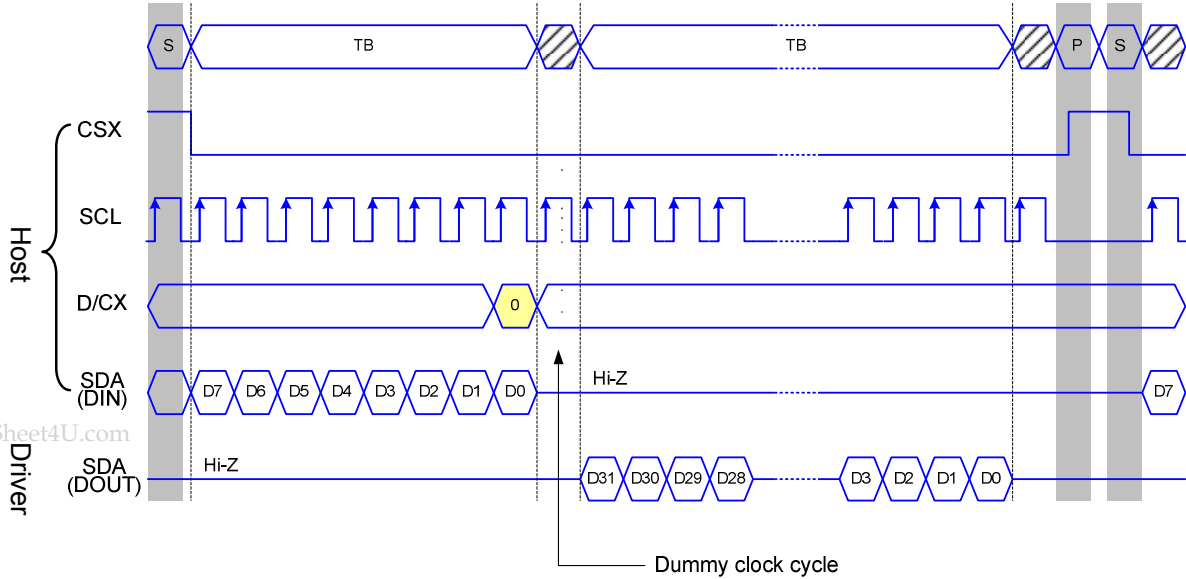


Fig. 9.4.5 4-line serial interface read protocol

9.5 Data Transfer Break and Recovery

If there is a break in data transmission by RESX pulse, while transferring a command or frame memory data or multiple parameter command data, before Bit D0 of the byte has been completed, then driver will reject the previous bits and have reset the interface such that it will be ready to receive command data again when the chip select line (CSX) is next activated after RESX have been HIGH state. See the following example

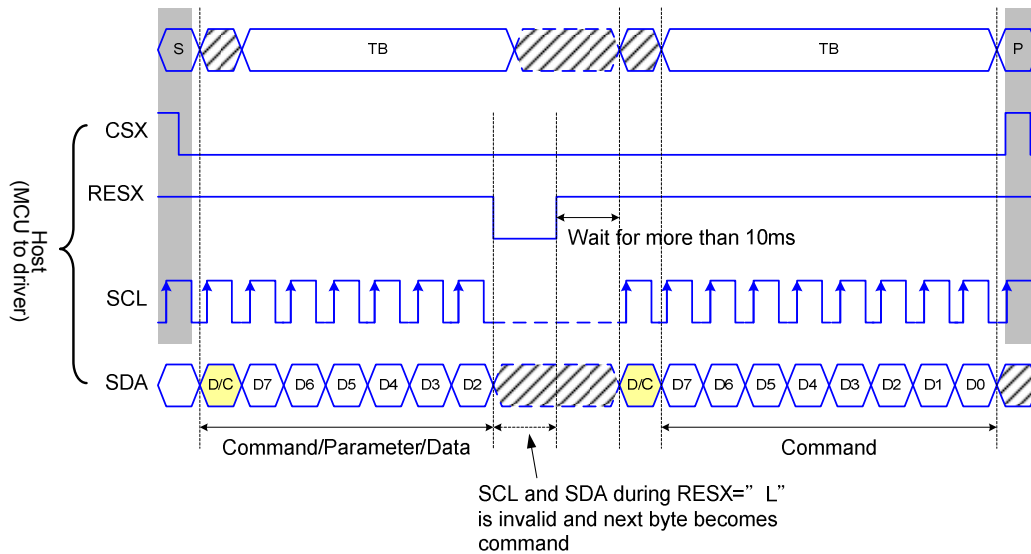


Fig. 9.5.1 Serial bus protocol, write mode - interrupted by RESX

If there is a break in data transmission by CSX pulse, while transferring a command or frame memory data or multiple parameter command data, before Bit D0 of the byte has been completed, then driver will reject the previous bits and have reset the interface such that it will be ready to receive the same byte re-transmitted when the chip select line (CSX) is next activated. See the following example

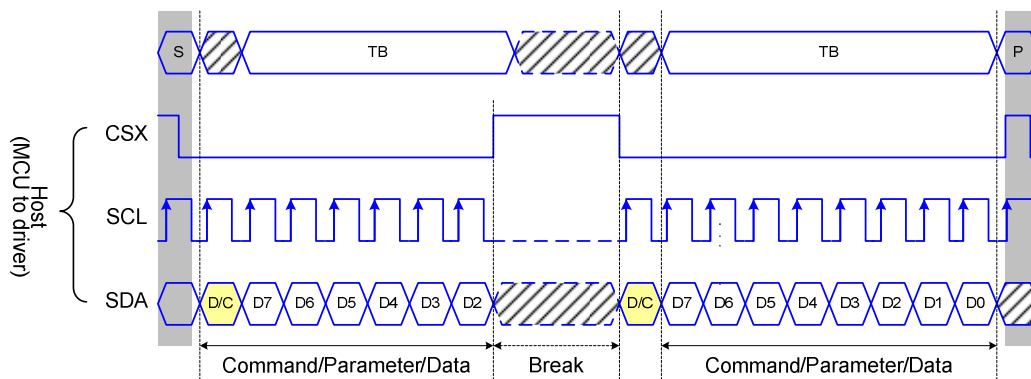


Fig. 9.5.2 Serial bus protocol, write mode - interrupted by CSX

If 1, 2 or more parameter commands are being sent and a break occurs while sending any parameter before the last one and if the host then sends a new command rather than re-transmitting the parameter that was interrupted, then the parameters that were successfully sent are stored and the parameter where the break occurred is rejected. The interface is ready to receive next byte as shown below.

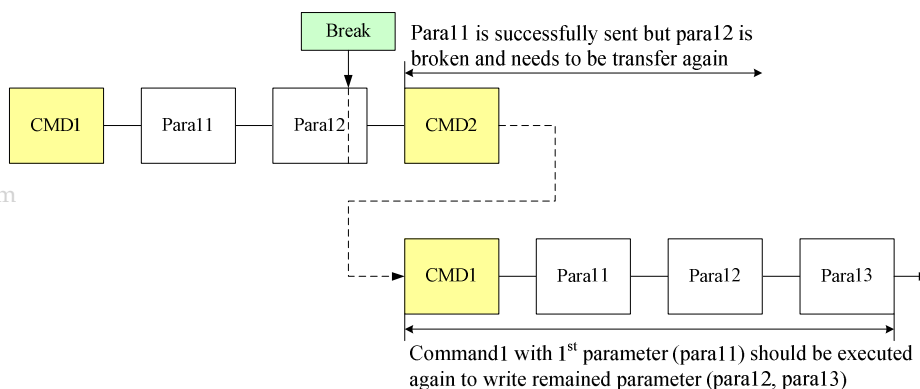


Fig.9.5.3 Write interrupts recovery (serial interface)

If a 2 or more parameter commands are being sent and a break occurs by the other command before the last one is sent, then the parameters that were successfully sent are stored and the other parameter of that command remains previous value.

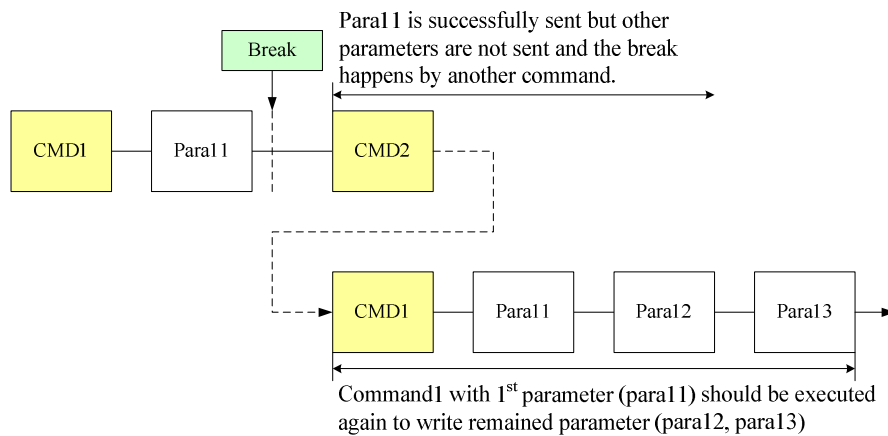


Fig. 9.5.4 Write interrupts recovery (both serial and parallel Interface)

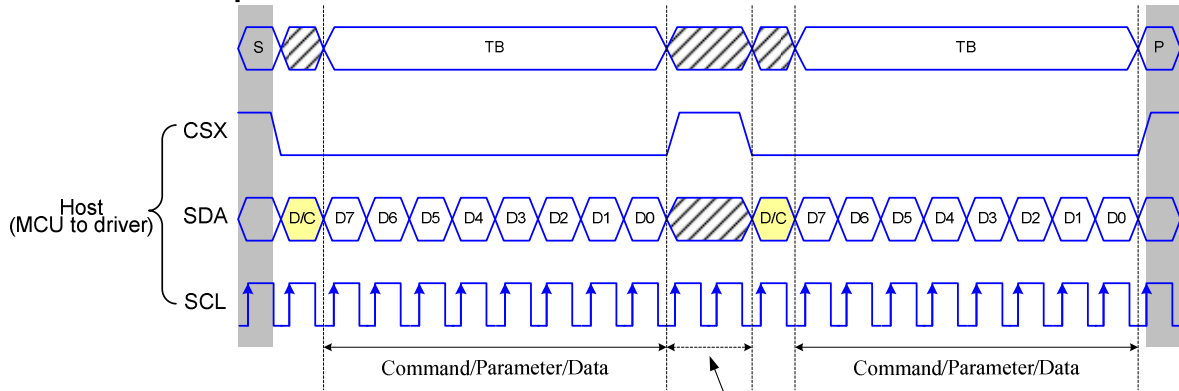
## 9.6 Data transfer pause

It will be possible when transferring a command, frame memory data or multiple parameter data to invoke a pause in the data transmission. If the chip select line is released after a whole byte of a frame memory data or multiple parameter data has been completed, then driver will wait and continue the frame memory data or parameter data transmission from the point where it was paused. If the chip select Line is released after a whole byte of a command has been completed, then the display module will receive either the command's parameters (if appropriate) or a new command when the chip select line is next enabled as shown below.

This applies to the following 4 conditions:

- 1) Command-Pause-Command
- 2) Command-Pause-Parameter
- 3) Parameter-Pause-Command
- 4) Parameter-Pause-Parameter

### 9.6.1 Serial interface pause



SCL and SDA during CSX=" H" is invalid.

Fig. 9.6.1 Serial interface pause protocol (pause by CSX)

### 9.6.2 Parallel interface pause

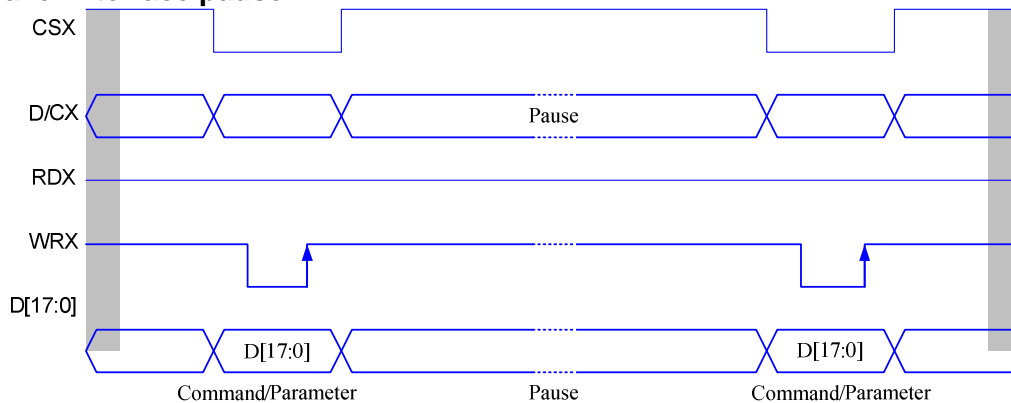


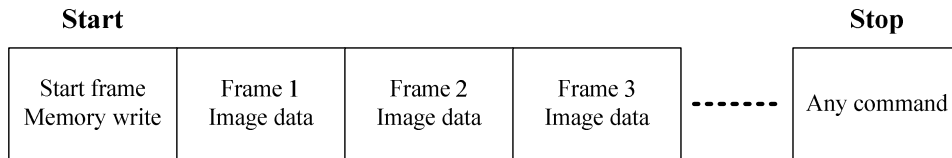
Fig. 9.6.2 Parallel bus pause protocol (paused by CSX)

## 9.7 Data Transfer Modes

The module has three kinds color modes for transferring data to the display RAM. These are 12-bits color per pixel, 16-bits color per pixel and 18-bits color per pixel. The data format is described for each interface. Data can be downloaded to the frame memory by 2 methods.

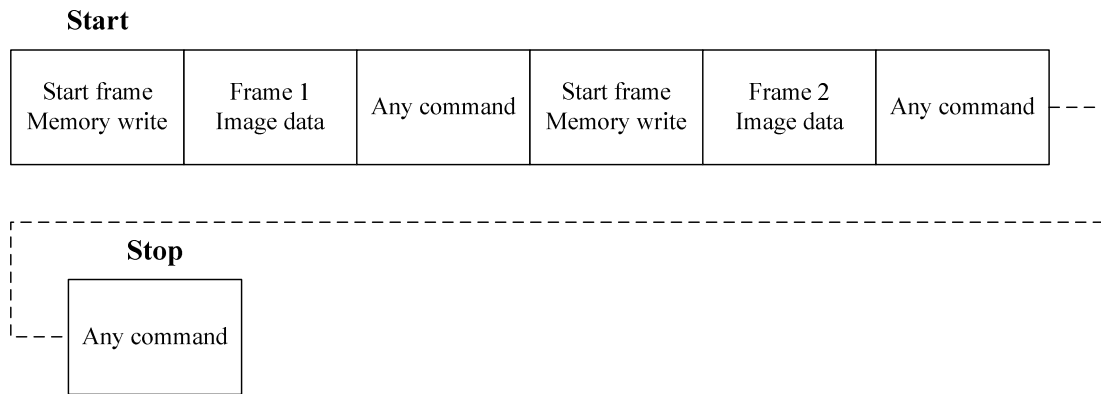
### 9.7.1 Method 1

The Image data is sent to the frame memory in successive frame writes, each time the frame memory is filled, the frame memory pointer is reset to the start point and the next frame is written.



### 9.7.2 Method 2

Image data is sent and at the end of each frame memory download, a command is sent to stop frame memory write. Then start memory write command is sent, and a new frame is downloaded.



*Note:*

- 1) These apply to all data transfer Color modes on both serial and parallel interfaces.
- 2) The frame memory can contain both odd and even number of pixels for both methods. Only complete pixel data will be stored in the frame memory.

## 9.8 Data Color Coding

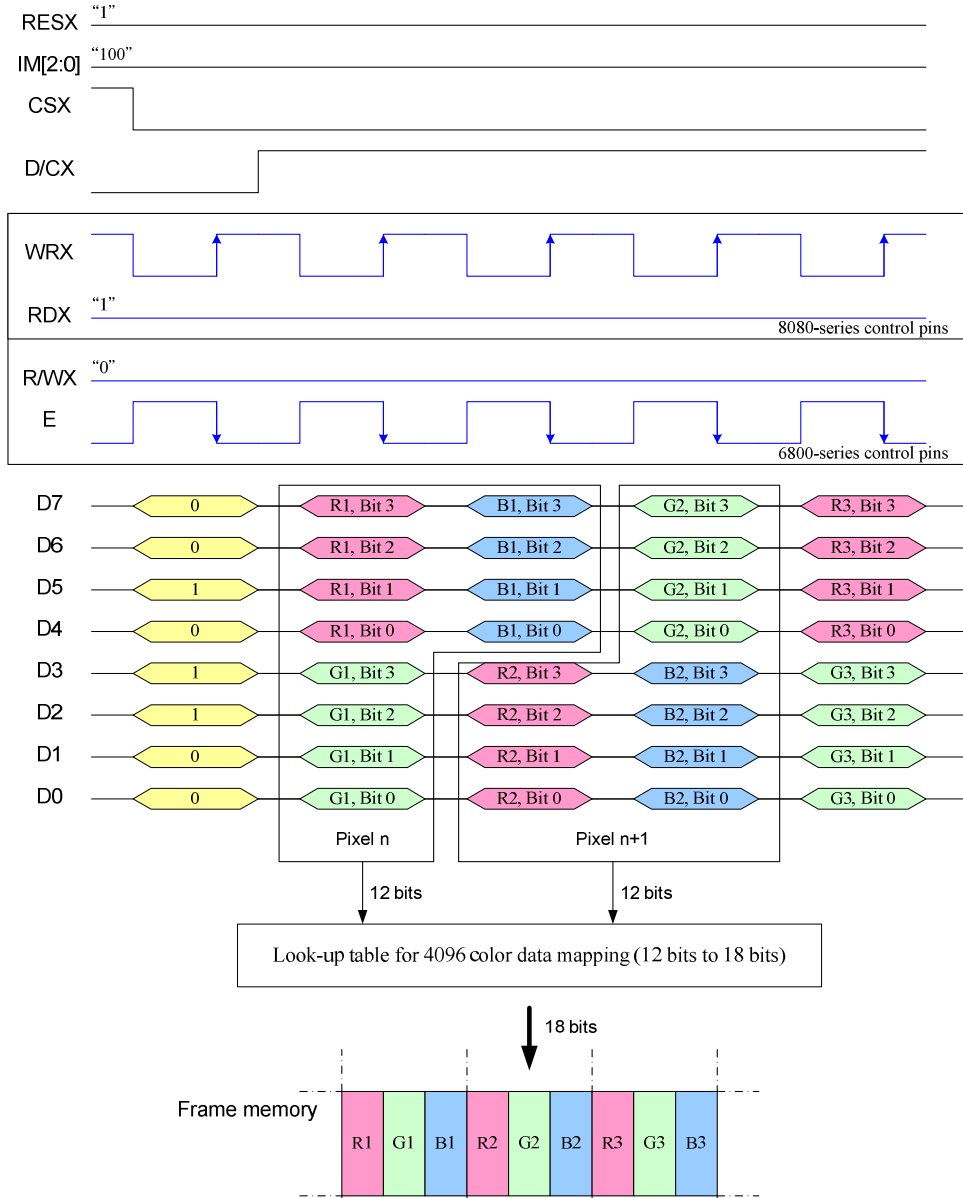
### 9.8.1 8-bit Parallel Interface (IM2, IM1, IM0= "100")

Different display data formats are available for three Colors depth supported by listed below.

- 4k Colors, RGB 4,4,4-bit input,
- 65k Colors, RGB 5,6,5-bit input,
- 262k Colors, RGB 6,6,6-bit input,

#### 9.8.1.1 8-bit data bus for 12-bit/pixel (RGB 4-4-4-bit input), 4K-Colors, 3AH= "03h"

There are 2 pixels (6 sub-pixels) per 3-bytes.



Note 1. The data order is as follows, MSB=D7, LSB=D0 and picture data is MSB=Bit 3, LSB=Bit 0 for Red, Green and Blue data.

Note 2. 3-time transfer is used to transmit 1 pixel data with the 12-bit color depth information.

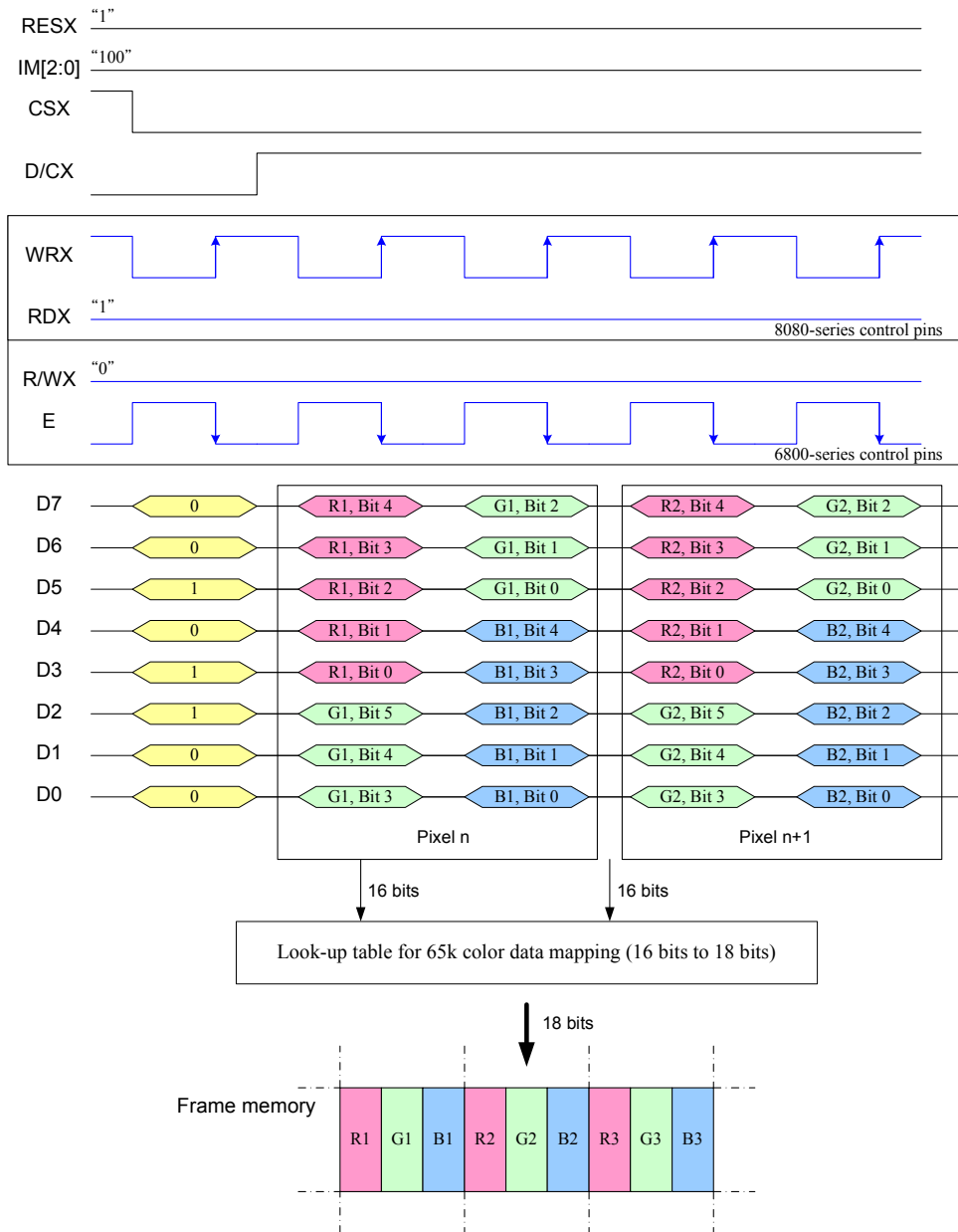
Note 3. '-' = Don't care - Can be set to '0' or '1'



# ST7713

## 9.8.1.2 8-bit data bus for 16-bit/pixel (RGB 5-6-5-bit input), 65K-Colors, 3AH= "05h"

There is 1 pixel (3 sub-pixels) per 2-bytes.



Note 1. The data order is as follows, MSB=D7, LSB=D0 and picture data is MSB=Bit 5, LSB=Bit 0 for Green and MSB=Bit 4, LSB=Bit 0 for Red and Blue data.

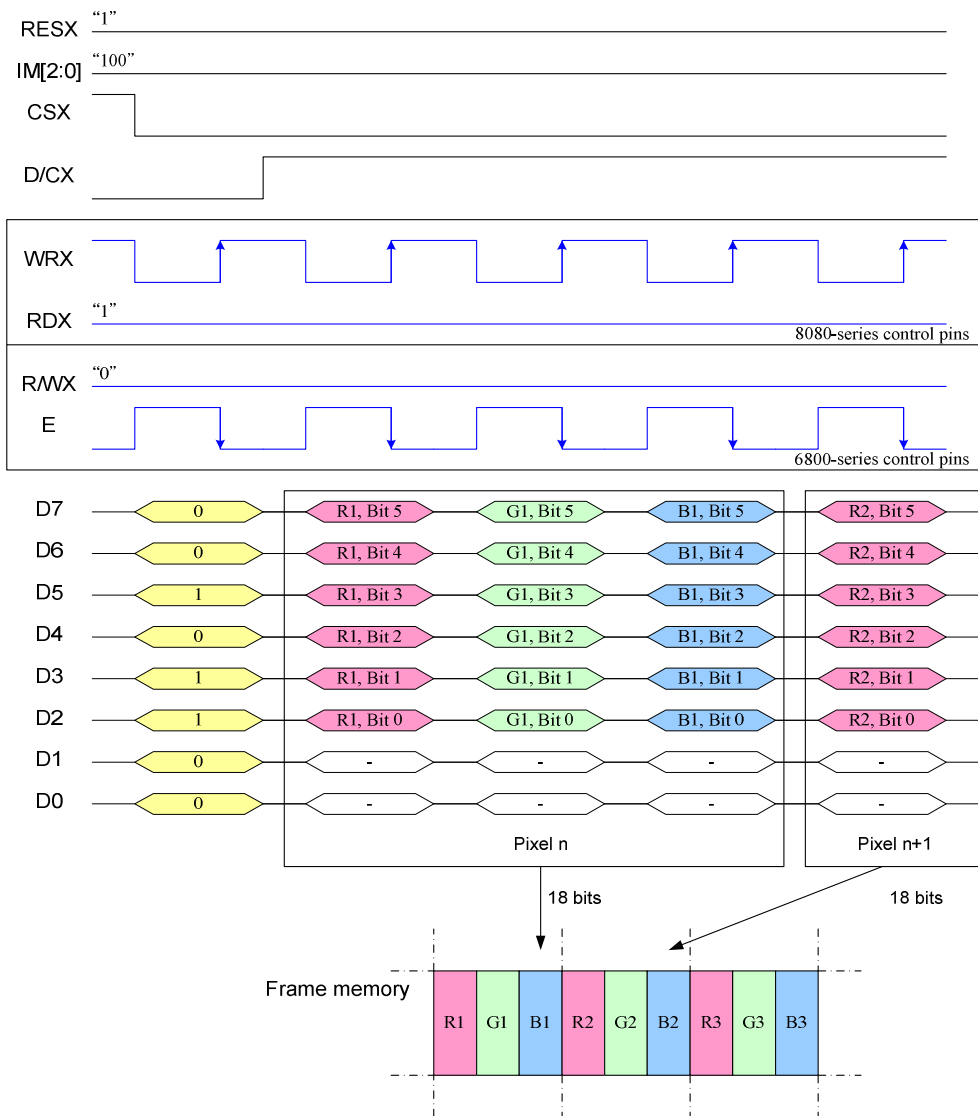
Note 2. 2-times transfer is used to transmit 1 pixel data with the 16-bit color depth information.

Note 3. '-' = Don't care - Can be set to '0' or '1'

# ST7713

## 9.8.1.3 8-bit data bus for 18-bit/pixel (RGB 6-6-6-bit input), 262K-Colors, 3AH= "06h"

There is 1 pixel (3 sub-pixels) per 3-bytes.



Note 1. The data order is as follows, MSB=D7, LSB=D0 and picture data is MSB=Bit 5, LSB=Bit 0 for Red, Green and Blue data.

Note 2. 3-times transfer is used to transmit 1 pixel data with the 18-bit color depth information.

Note 3. '-' = Don't care - Can be set to '0' or '1'

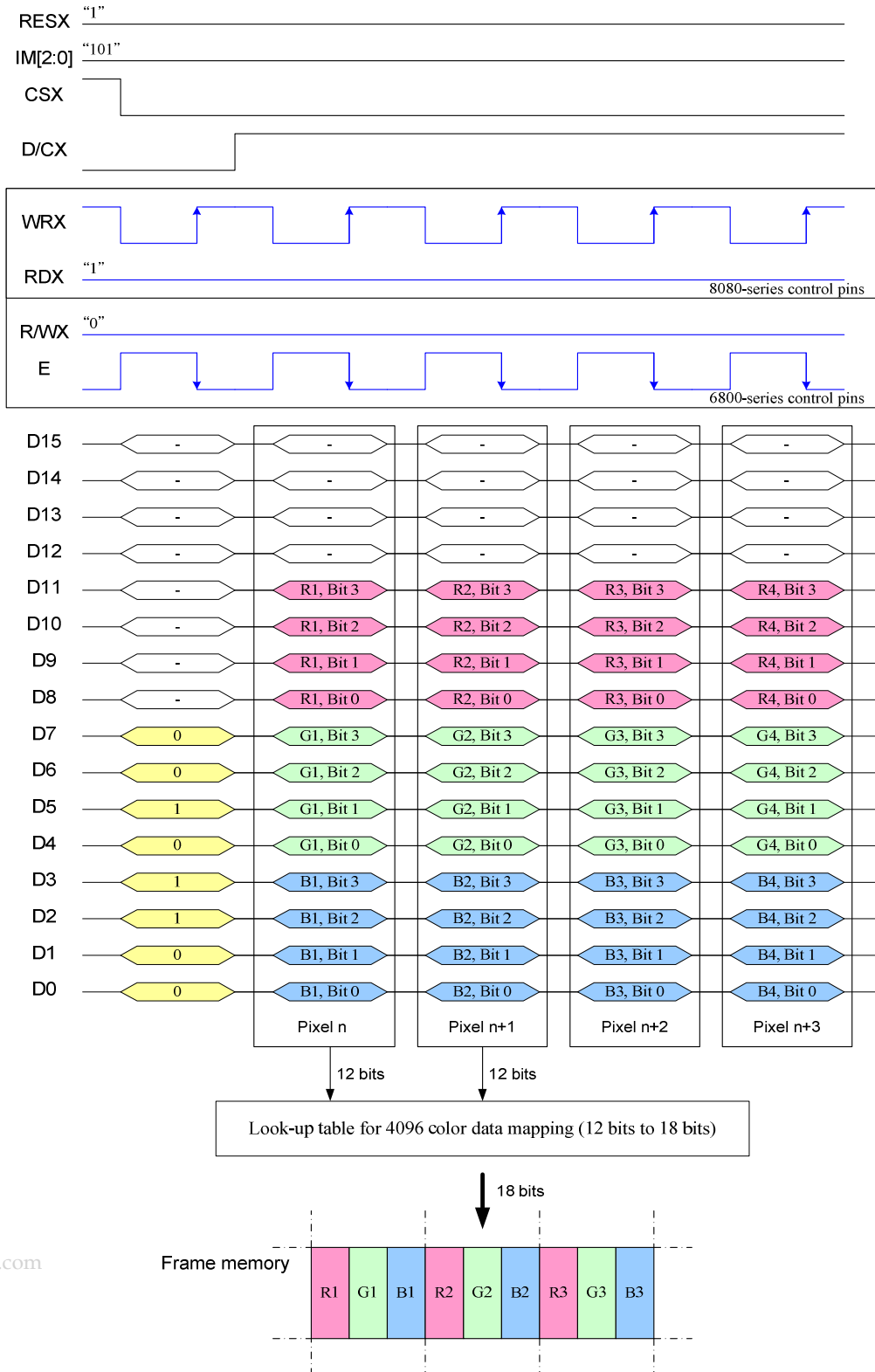
## 9.8.2 16-Bit Parallel Interface (IM2,IM1, IM0= "101")

Different display data formats are available for three colors depth supported by listed below.

- 4k colors, RGB 4,4,4-bit input
- 65k colors, RGB 5,6,5-bit input
- 262k colors, RGB 6,6,6-bit input

### 9.8.2.1 16-bit data bus for 12-bit/pixel (RGB 4-4-4-bit input), 4K-Colors, 3AH= "03h"

There is 1 pixel (3 sub-pixels) per 1 bytes, 12-bit/pixel.

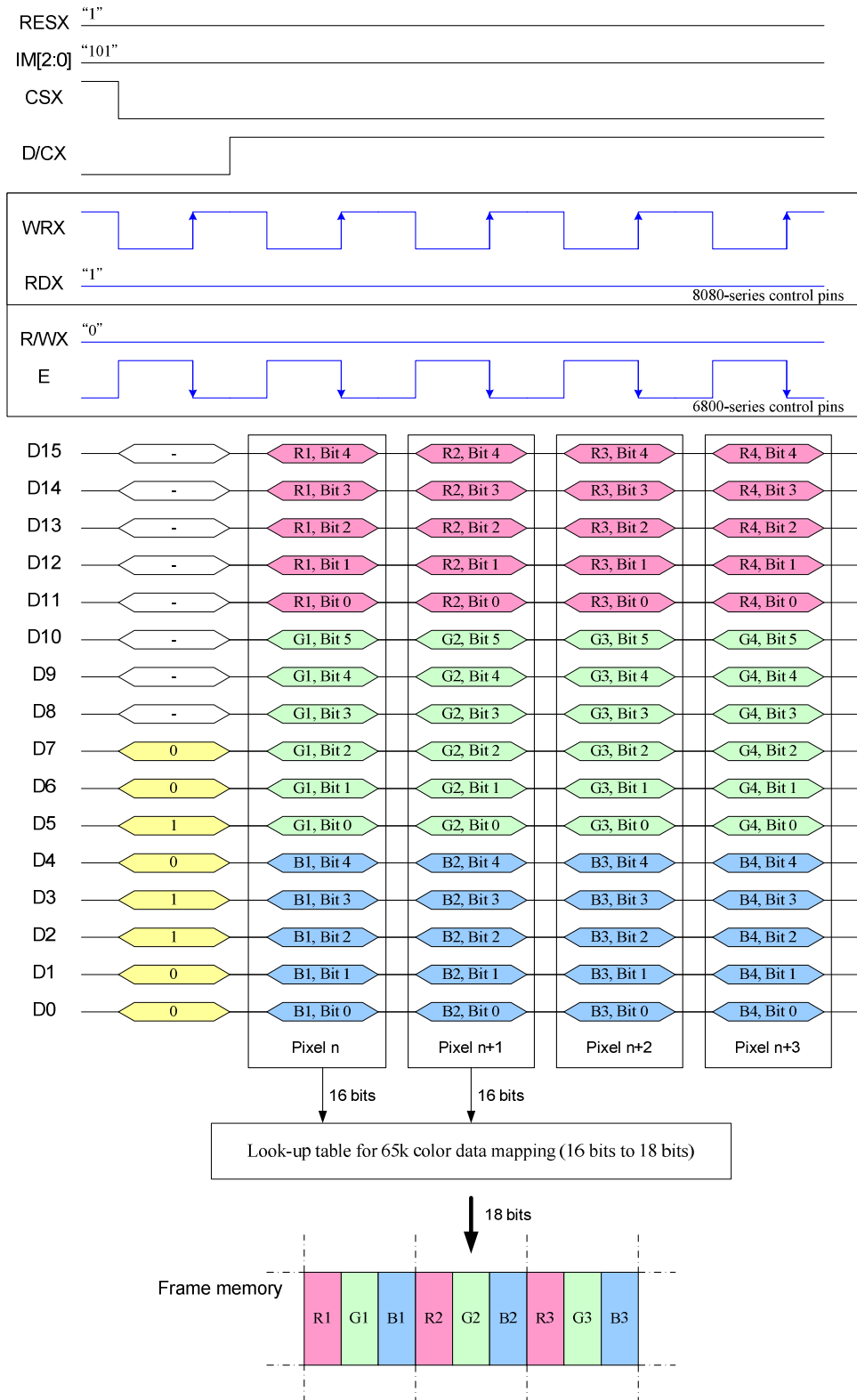


Note1. The data order is as follows, MSB=D11, LSB=D0 and picture data is MSB=Bit 3, LSB=Bit 0 for Red, Green and Blue data.

Note 2. 1-times transfer (D11 to D0) is used to transmit 1 pixel data with the 12-bit color depth information.

## 9.8.2.2 16-bit data bus for 16-bit/pixel (RGB 5-6-5-bit input), 65K-Colors, 3AH= "05h"

There is 1 pixel (3 sub-pixels) per 1 bytes, 16-bit/pixel.



*Note 1. The data order is as follows, MSB=D15, LSB=D0 and picture data is MSB=Bit 5, LSB=Bit 0 for Green, and MSB=Bit 4, LSB=Bit 0 for Red and Blue data.*

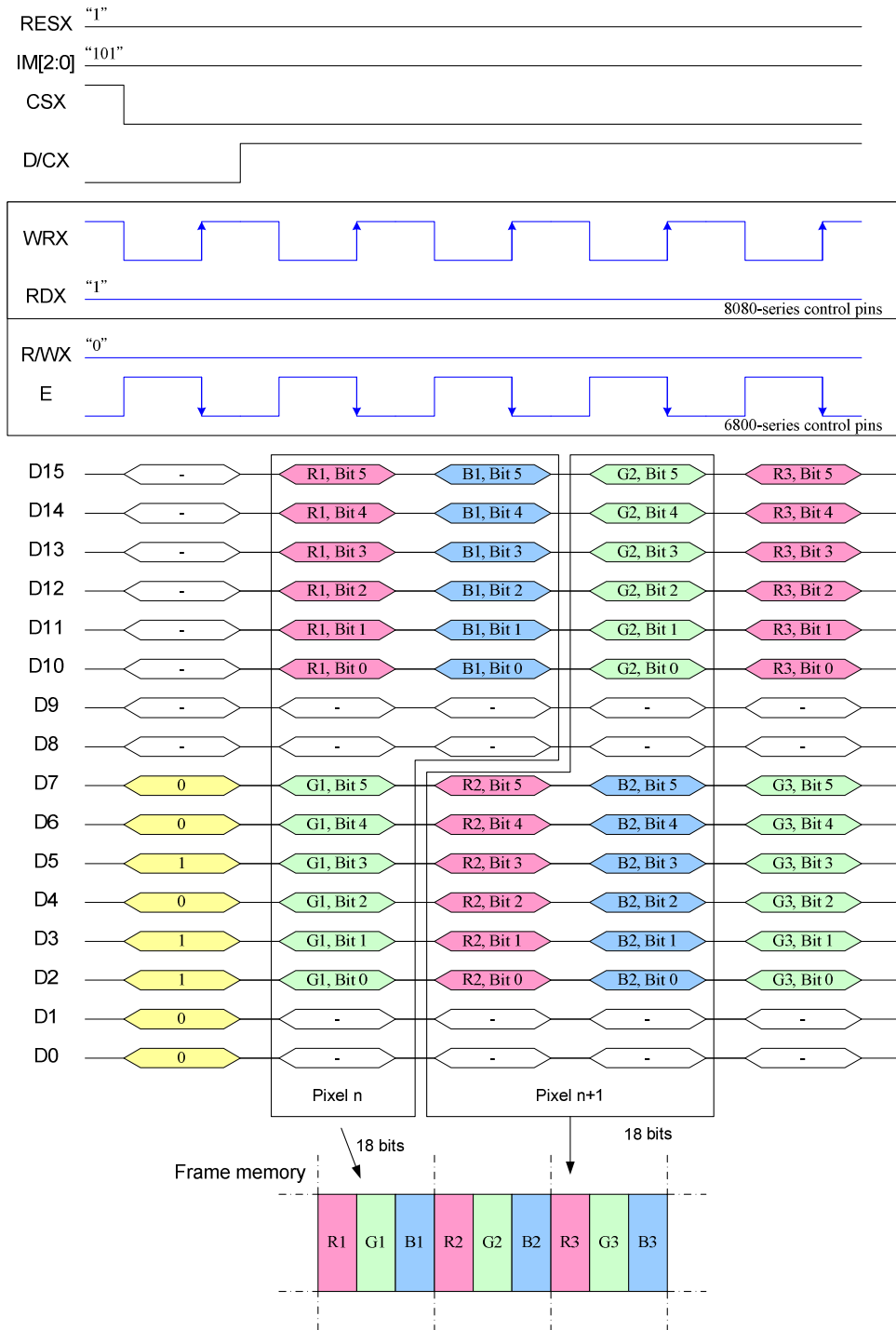
*Note 2. 1-times transfer (D15 to D0) is used to transmit 1 pixel data with the 16-bit color depth information.*

*Note 3. '-' = Don't care - Can be set to '0' or '1'*

# ST7713

## 9.8.2.3 16-bit data bus for 18-bit/pixel (RGB 6-6-6-bit input), 262K-Colors, 3AH= "06h"

There are 2 pixel (6 sub-pixels) per 3 bytes, 18-bit/pixel.



Note 1. The data order is as follows, MSB=D15, LSB=D0 and picture data is MSB=Bits 5, LSB=Bit 0 for Red, Green and Blue data.

Note 2. 3-times transfer is used to transmit 1 pixel data with the 18-bit color depth information.

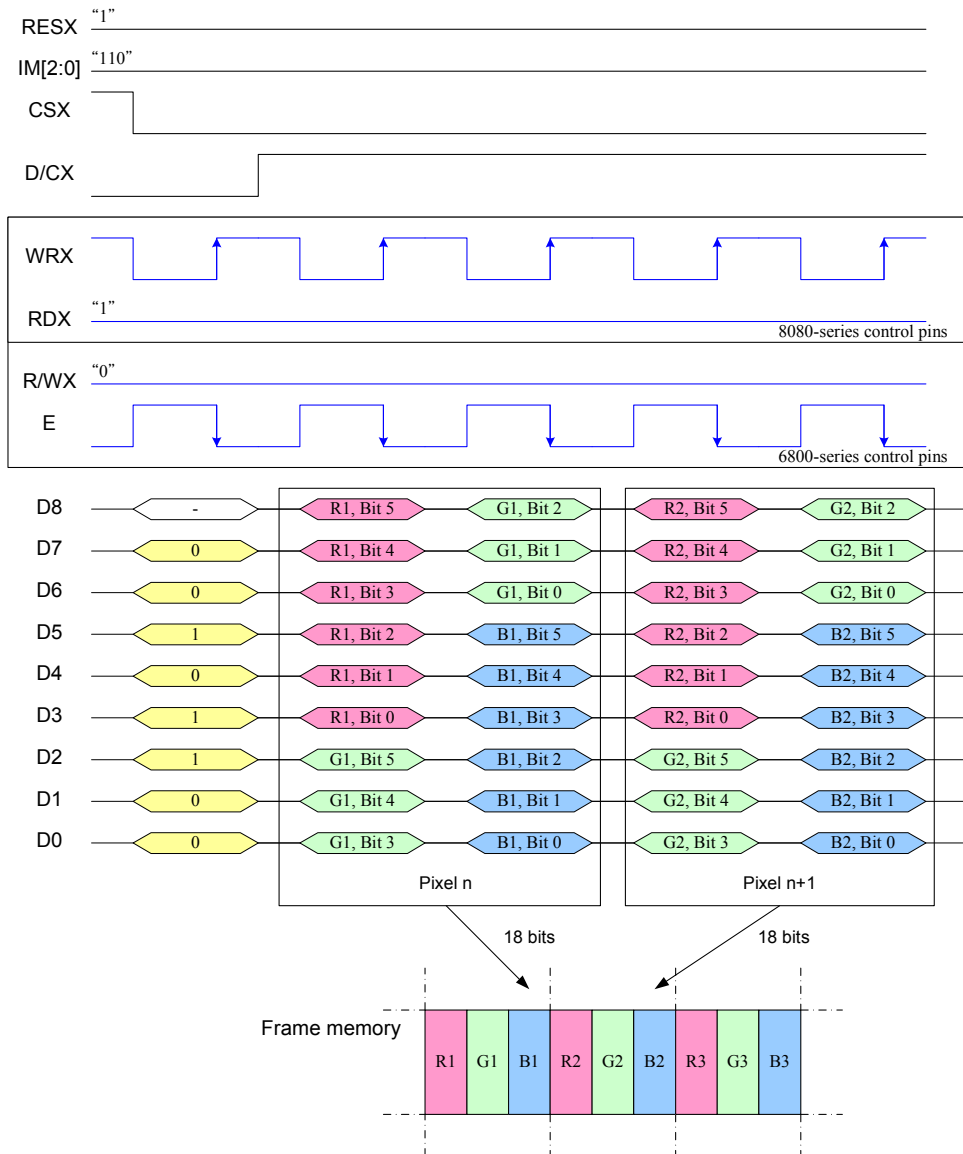
Note 3. '-' = Don't care - Can be set to '0' or '1'

## 9.8.3 9-Bit Parallel Interface (IM2, IM1, IM0="110")

Different display data formats are available for three colors depth supported by listed below.  
 - 262k colors, RGB 6,6,6-bit input

### 9.8.3.1 Write 9-bit data for RGB 6-6-6-bit input (262k-color)

There are 1 pixel (6 sub-pixels) per 3 bytes, 18-bit/pixel.



Note 1. The data order is as follows, MSB=D8, LSB=D0 and picture data is MSB=Bit 5, LSB=Bit 0 for Red, Green and Blue data.

Note 2. 3-times transfer is used to transmit 1 pixel data with the 18-bit color depth information.

Note 3. '-' = Don't care - Can be set to '0' or '1'

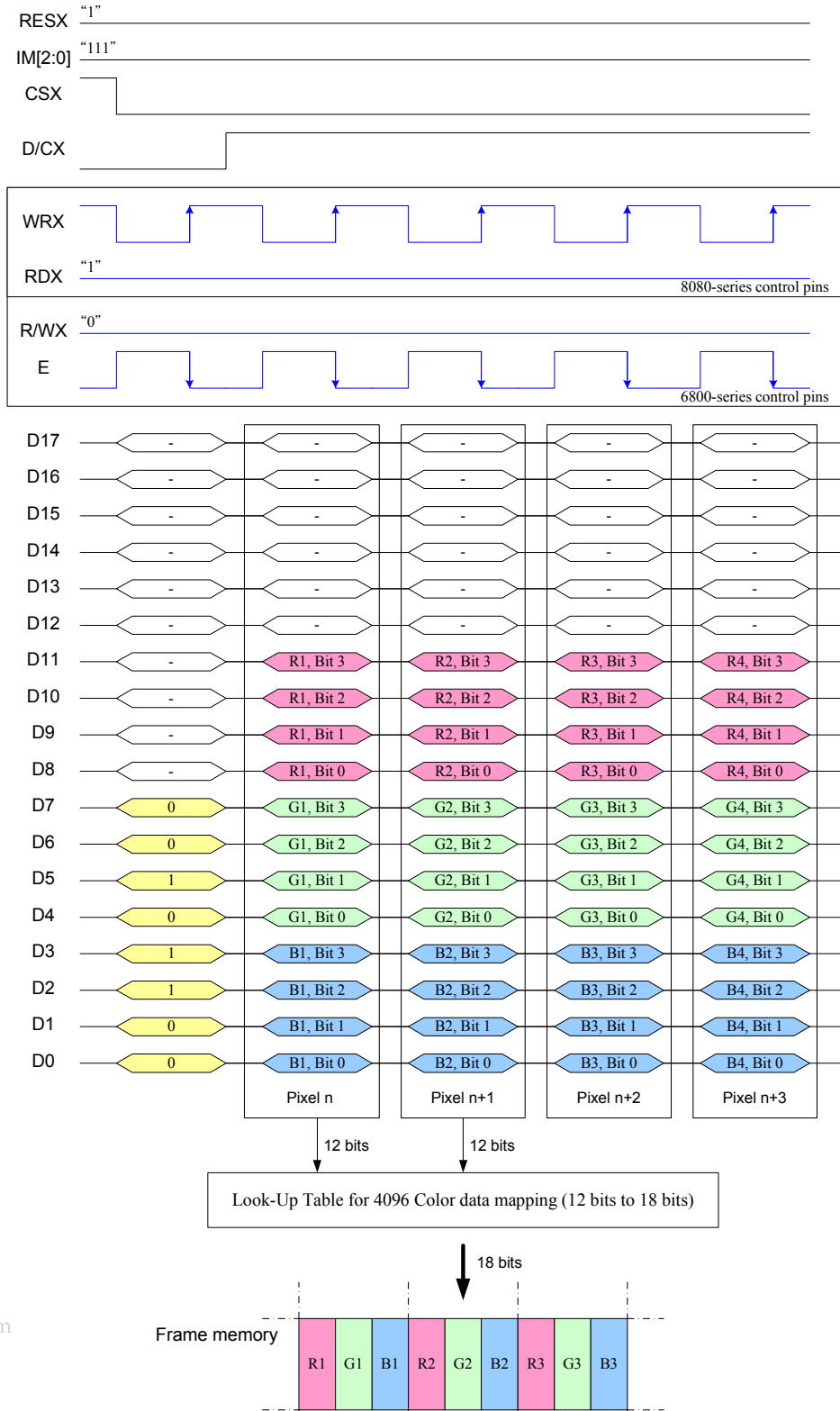
## 9.8.4 18-Bit Parallel Interface (IM2, IM1, IM0="111")

Different display data formats are available for three colors depth supported by listed below.

- 4k colors, RGB 4,4,4-bit input
- 65k colors, RGB 5,6,5-bit input
- 262k colors, RGB 6,6,6-bit input.

### 9.8.4.1 18-bit data bus for 12-bit/pixel (RGB 4-4-4-bit input), 4K-Colors, 3AH="03h"

There are 1 pixel (3 sub-pixels) per 1 byte, 12-bit/pixel.

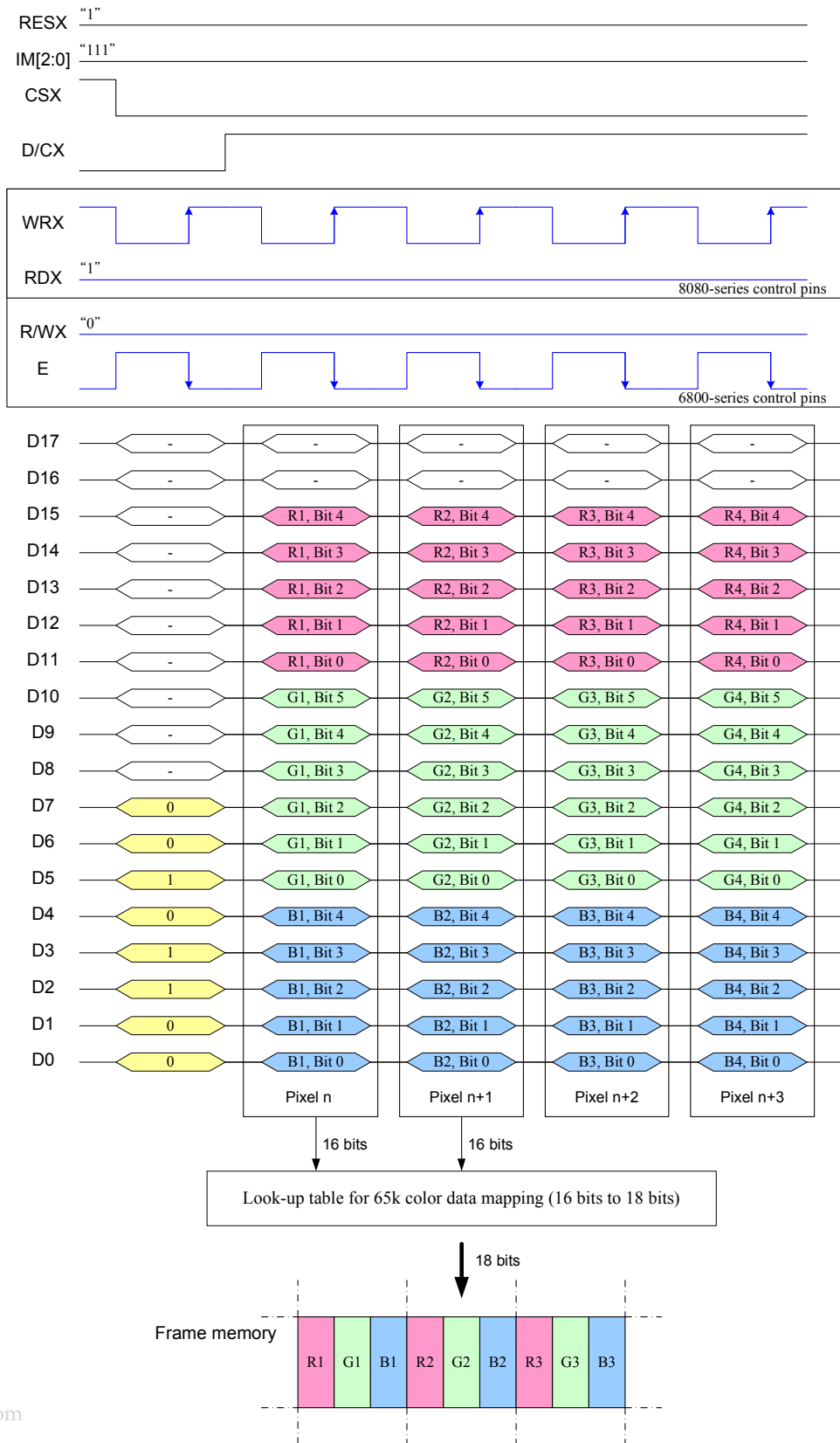


Note 1. The data order is as follows, MSB=D11, LSB=D0 and picture data is MSB=Bit 3, LSB=Bit 0 for Red, Green and Blue data.

Note 2. 1-times transfer is used to transmit 1 pixel data with the 12-bit color depth information.

## 9.8.4.2 18-bit data bus for 16-bit/pixel (RGB 5-6-5-bit input), 65K-Colors, 3AH="05h"

There are 1 pixel (3 sub-pixels) per 1 byte, 16-bit/pixel.



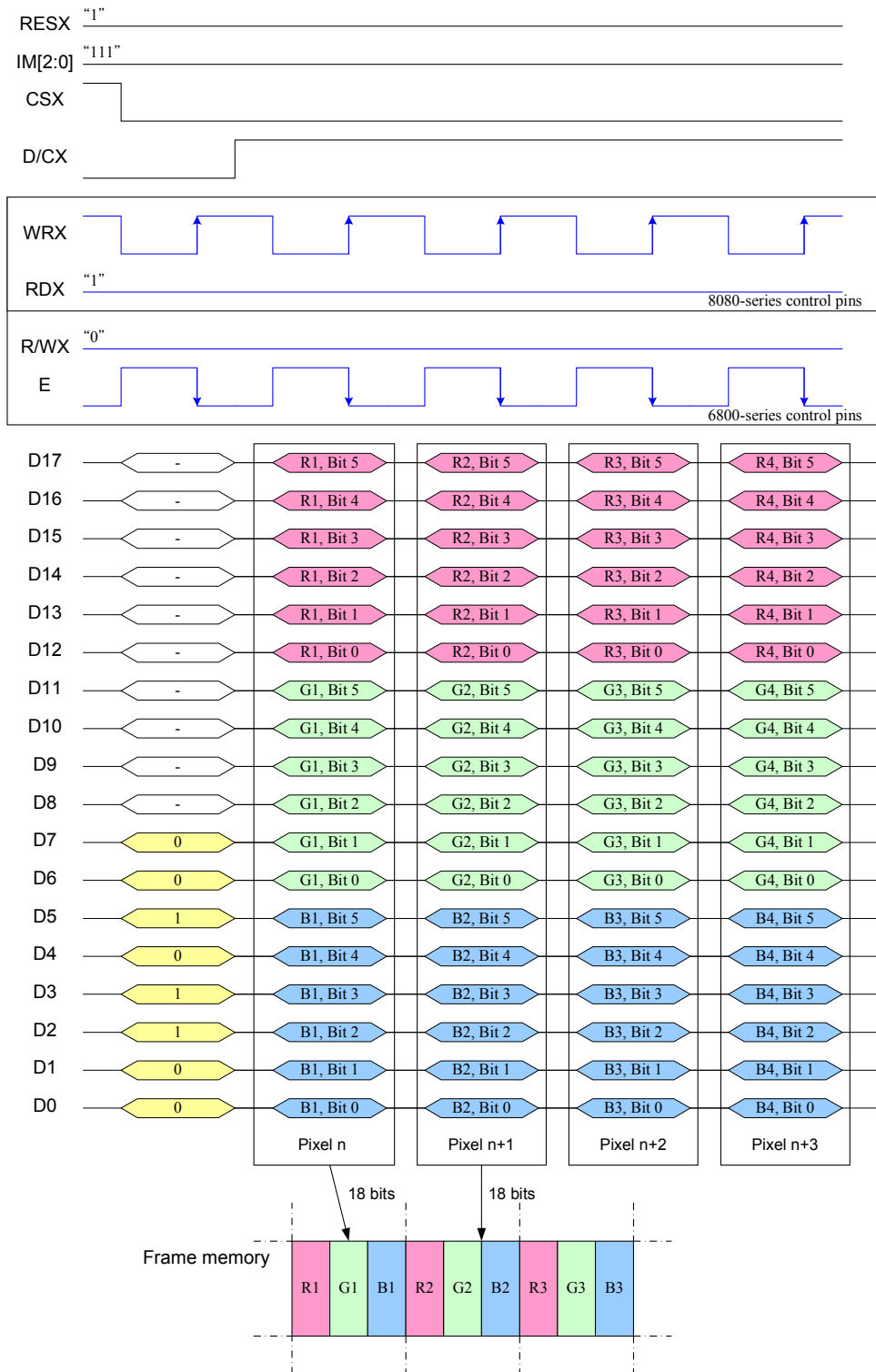
Note 1. The data order is as follows, MSB=D15, LSB=D0 and picture data is MSB=Bit 5, LSB=Bit 0 for Green, and MSB=Bit 4, LSB=Bit 0 for Red and Blue data.

Note 2. 1-times transfer is used to transmit 1 pixel data with the 16-bit color depth information.



## 9.8.4.3 18-bit data bus for 18-bit/pixel (RGB 6-6-6-bit input), 262K-Colors, 3AH="06h"

There are 1 pixel (3 sub-pixels) per 1 bytes, 18-bit/pixel.



Note1. The data order is as follows, MSB=D17, LSB=D0 and picture data is MSB=Bit 5, LSB=Bit 0 for Read, Green and Blue data.

Note 2. 1-times transfer (D17o D0) is used to transmit 1 pixel data with the 18-bit color depth information.

## 9.8.5 3-line serial Interface

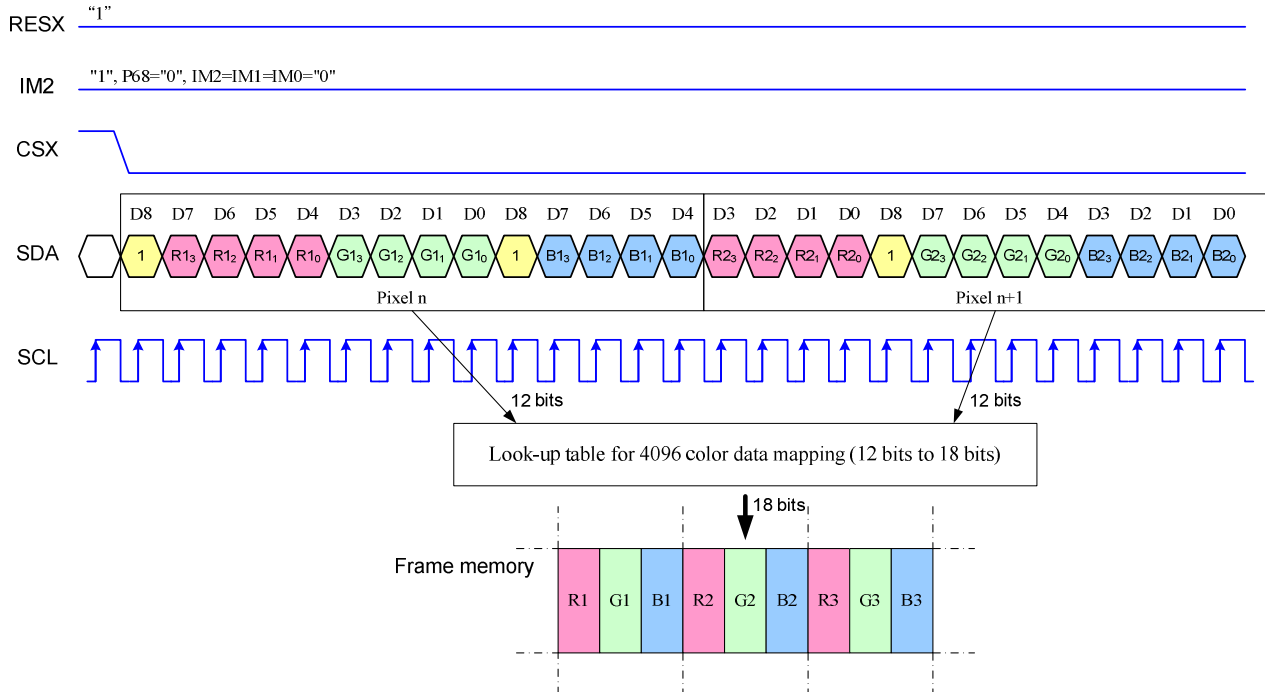
Different display data formats are available for three colors depth supported by the LCM listed below.

4k colors, RGB 4-4-4-bit input

65k colors, RGB 5-6-5-bit input

262k colors, RGB 6-6-6-bit input

### 9.8.5.1 Write data for 12-bit/pixel (RGB 4-4-4-bit input), 4K-Colors, 3AH="03h"

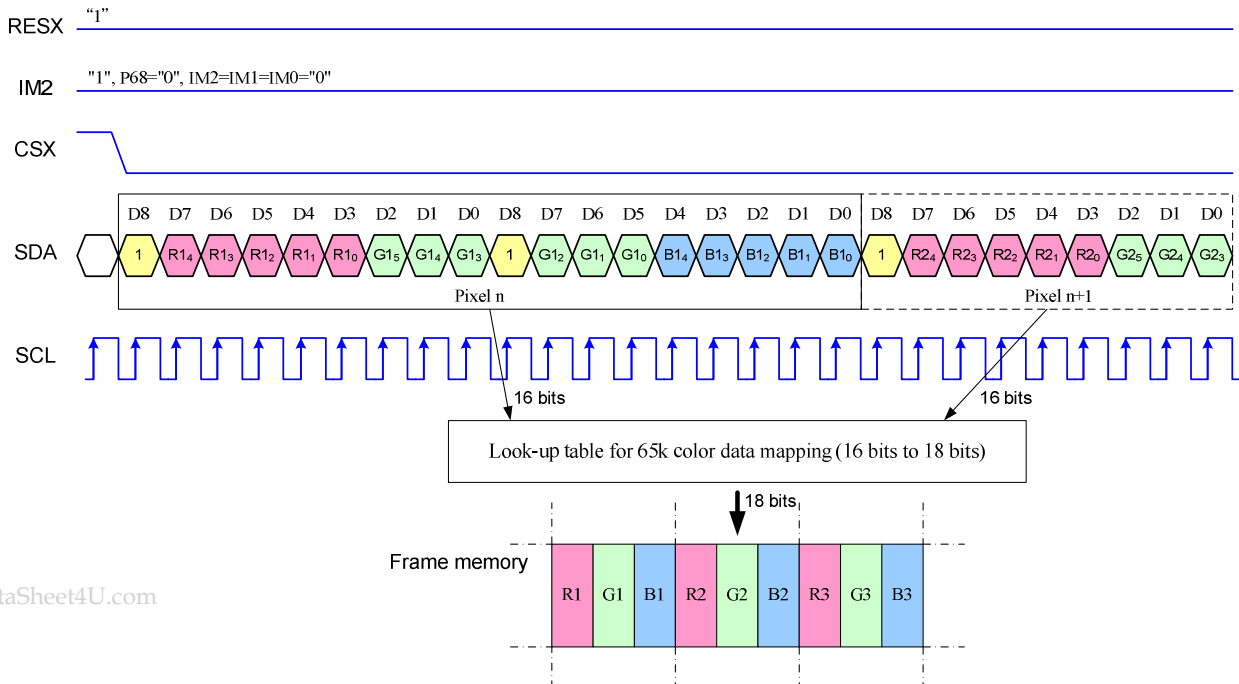


Note 1. pixel data with the 12-bit color depth information

Note 2. The most significant bits are: Rx3, Gx3 and Bx3

Note 3. The least significant bits are: Rx0, Gx0 and Bx0

### 9.8.5.2 Write data for 16-bit/pixel (RGB 5-6-5-bit input), 65K-Colors, 3AH="05h"



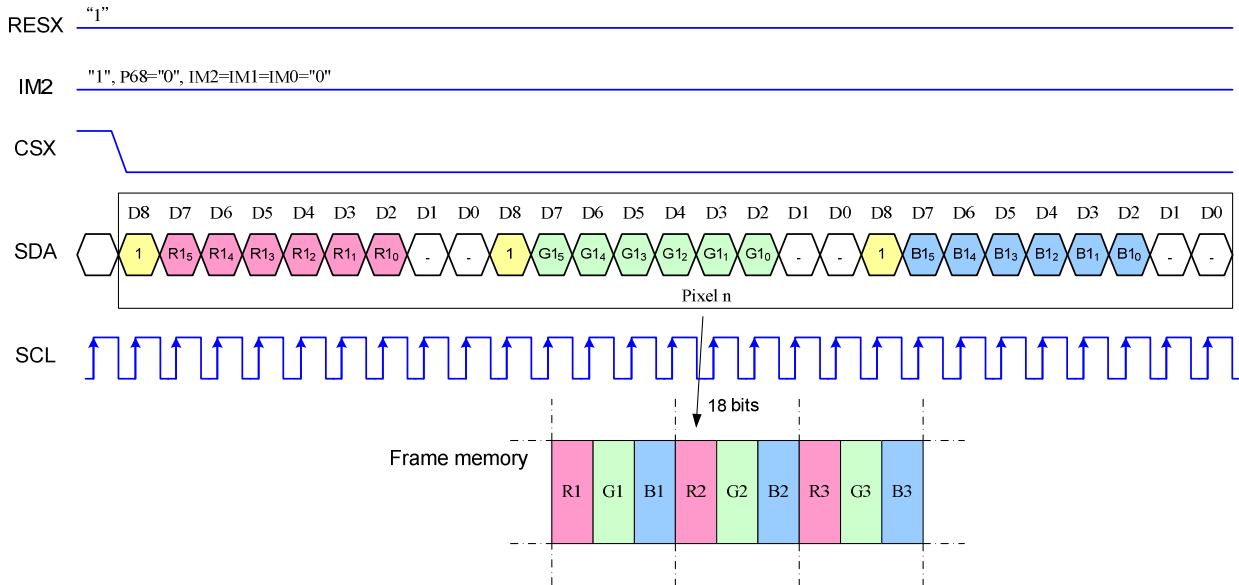
www.DataSheet4U.com

Note 1. pixel data with the 16-bit color depth information

Note 2. The most significant bits are: Rx4, Gx5 and Bx4

Note 3. The least significant bits are: Rx0, Gx0 and Bx0

## 9.8.5.3 Write data for 18-bit/pixel (RGB 6-6-6-bit input), 262K-Colors, 3AH="06h"



Note 1. pixel data with the 18-bit color depth information

Note 2. The most significant bits are: Rx5, Gx5 and Bx5

Note 3. The least significant bits are: Rx0, Gx0 and Bx0

## 9.8.6 4-line serial Interface

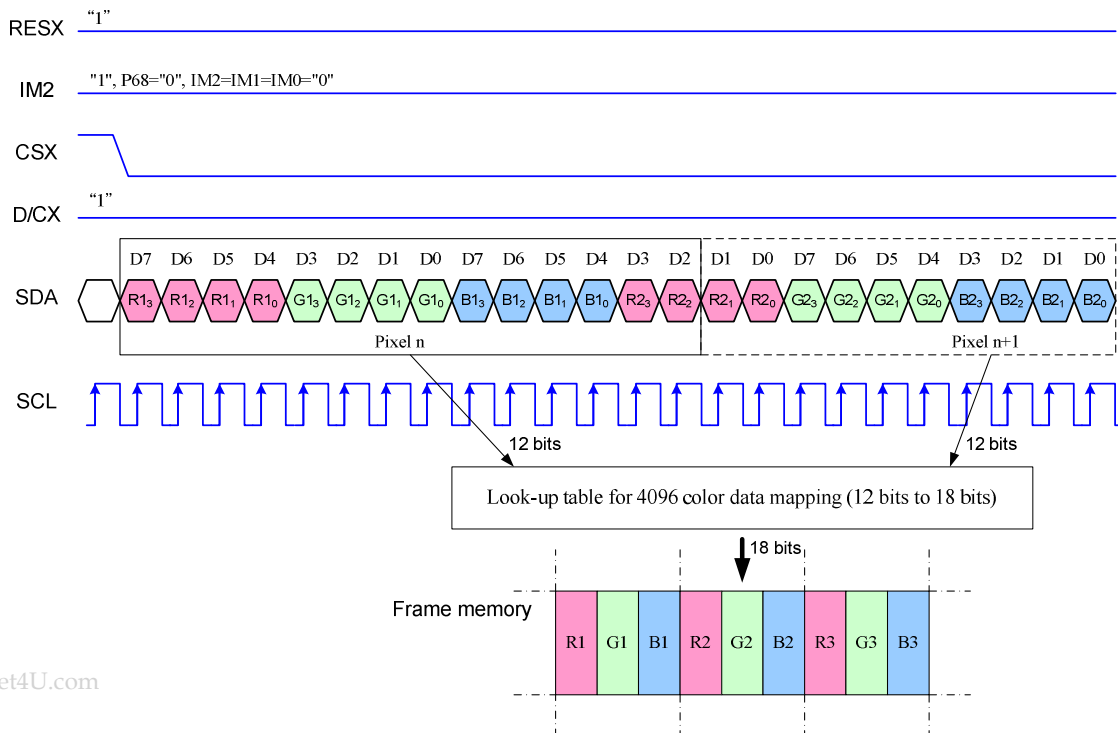
Different display data formats are available for three colors depth supported by the LCM listed below.

4k colors, RGB 4-4-4-bit input

65k colors, RGB 5-6-5-bit input

262k colors, RGB 6-6-6-bit input

### 9.8.6.1 Write data for 12-bit/pixel (RGB 4-4-4-bit input), 4K-Colors, 3AH="03h"

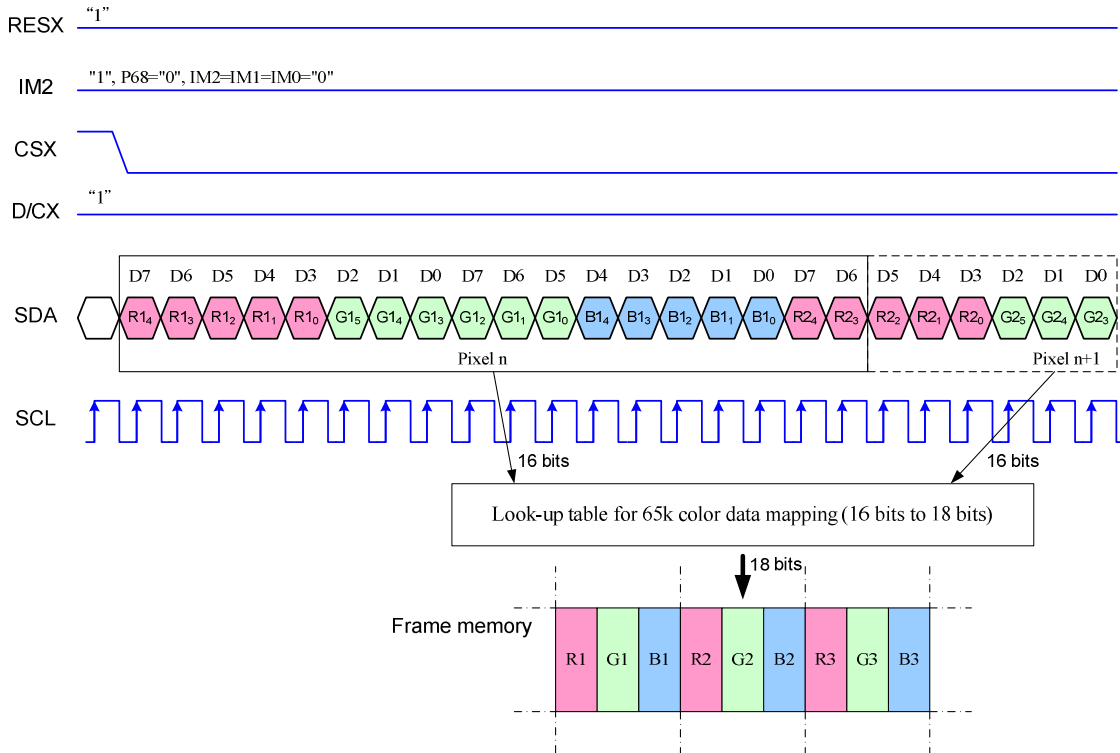


Note 1. pixel data with the 12-bit color depth information

Note 2. The most significant bits are: Rx3, Gx3 and Bx3

Note 3. The least significant bits are: Rx0, Gx0 and Bx0

## 9.8.6.2 Write data for 16-bit/pixel (RGB 5-6-5-bit input), 65K-Colors, 3AH="05h"

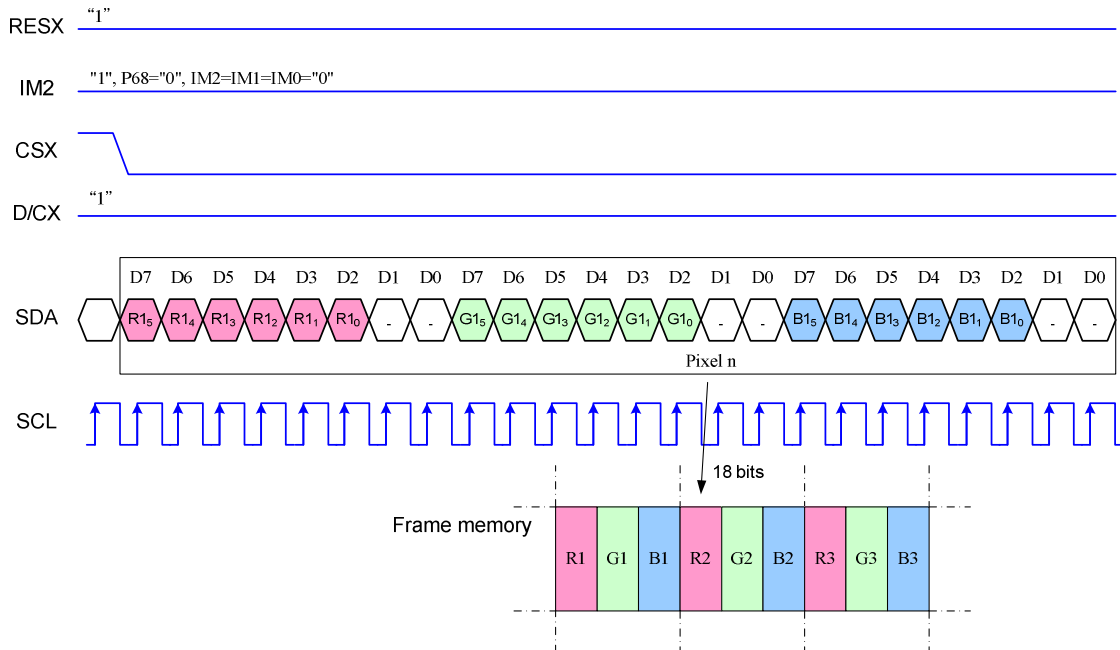


Note 1. pixel data with the 16-bit color depth information

Note 2. The most significant bits are: Rx4, Gx5 and Bx4

Note 3. The least significant bits are: Rx0, Gx0 and Bx0

## 9.8.6.3 Write data for 18-bit/pixel (RGB 6-6-6-bit input), 262K-Colors, 3AH="06h"



Note 1. pixel data with the 18-bit color depth information

Note 2. The most significant bits are: Rx5, Gx5 and Bx5

Note 3. The least significant bits are: Rx0, Gx0 and Bx0

## 9.9 RGB interface

### 9.9.1 General Description

The module uses 6, 16 and 18-bit parallel RGB interface which includes: VS, HS, DE, PCLK, D[17:0]. The interface is activated after Power-On sequence (See section Power-On/Off Sequence)

Pixel clock (PCLK) is running all the time without stopping and it is used to enter VS, HS, DE and D[17:0] states at the rising edge of the PCLK. The PCLK cannot be used as continues internal clock for other functions of the display module e.g. Sleep-In mode etc.

Vertical synchronization (VS) is used to tell the driver when a new frame of the display is beginning. This is negative ('0', low) active and its state is read by the driver at the rising edge of the PCLK signal.

Horizontal synchronization (HS) is used to tell the driver when a new line of the frame is beginning. This is negative ('0', low) active and its state is read by the driver at the rising edge of the PCLK signal.

Data Enable (DE) is used to tell the driver when the RGB information will be transferred to the driver. This is a positive ('1', high) active and its state is read by the driver at the rising edge of the PCLK signal.

D[17:0] (18-bit: R5-R0, G5-G0 and B5-B0; 16-bit: R4-R0, G5-G0 and B4-B0) are used to tell what is the information of the image that is transferred on the display (When DE='1' and at the rising edge of PCLK). D[17:0] can be '0' (low) or '1' (high). These lines are read by the driver at the rising edge of the PCLK signal.

The PCLK cycle is described in the following figure.

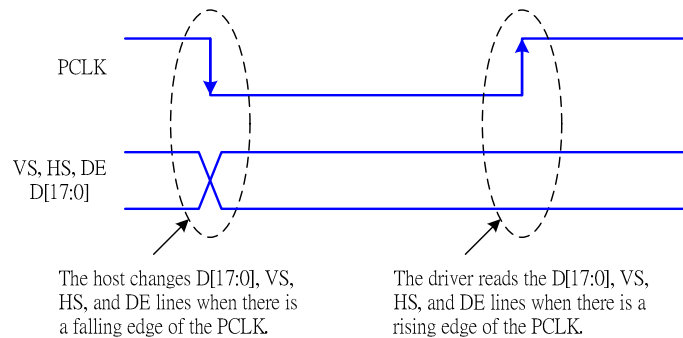


Fig. 9.9.1 PCLK cycle

*Note: PCLK is an unsynchronized signal (It can be stopped).*

## 9.9.2 General timing diagram

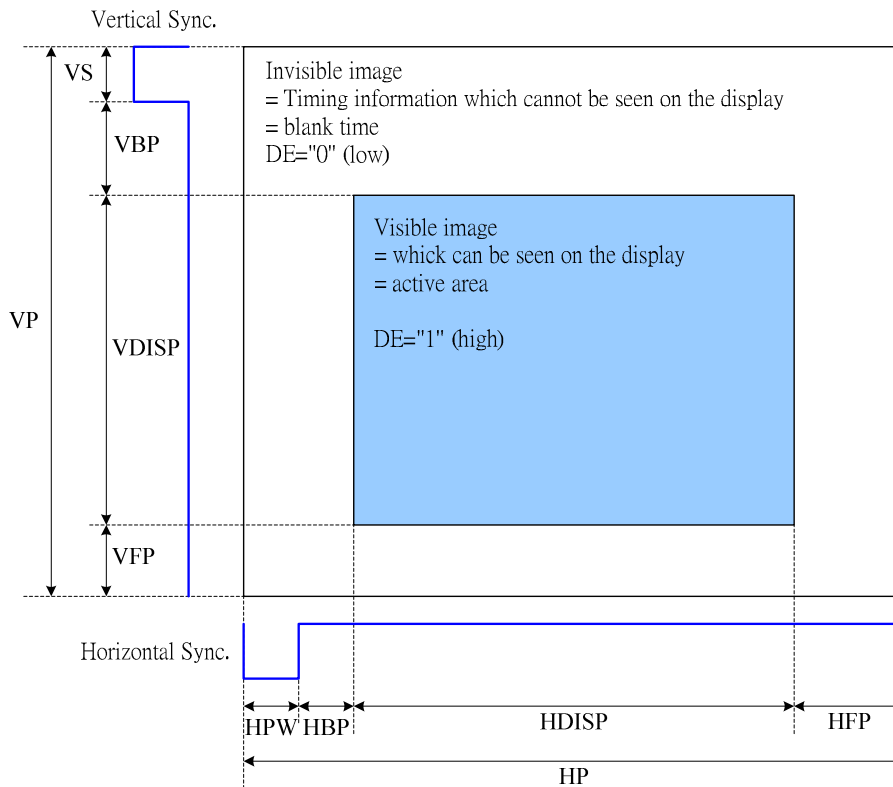


Fig. 9.9.2 RGB general timing diagram

The image information must be correct on the display, when the timings conforms the spec of the RGB interface.

However, the image information can be incorrect on the display temporarily when timing is out of spec. The correct image information must be displayed automatically (by the display module) in the next frame period as the timing recovers from out of spec to within spec.

## 9.9.3 Updating order on display active area (normal display mode On + sleep out)

There are different kinds of updating orders for the display. These updating orders are controlled by H/W (SMX, SMY) and S/W (MX, MY, MV) bits.

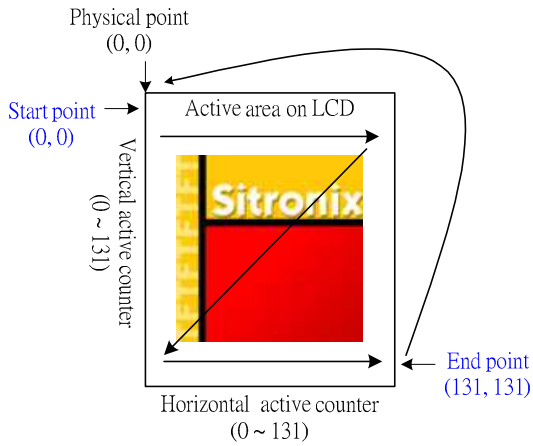


Fig. 9.9.3 Updating order when MADCTL's MX="0" and MY="0"

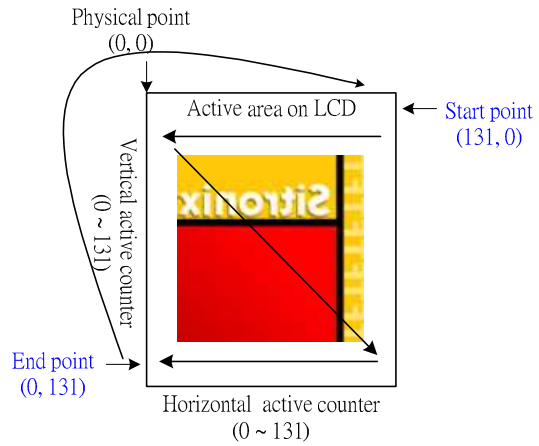


Fig. 9.9.4 Updating order when MADCTL's MX="1" and MY="0"

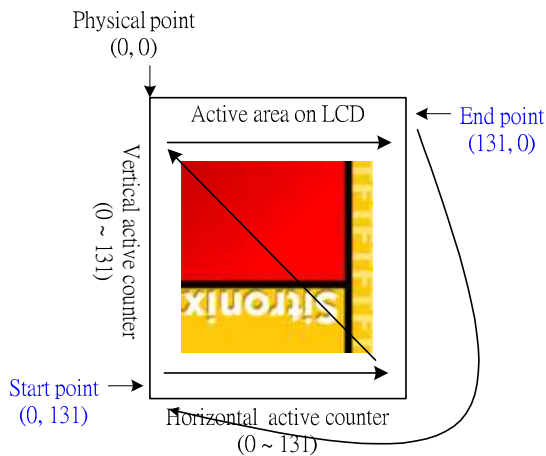


Fig. 9.9.5 Updating order when MADCTL's MX="0" and MY="1"

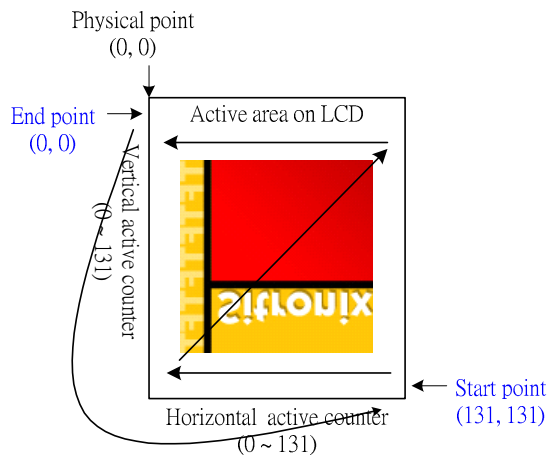


Fig. 9.9.6 Updating order when MADCTL's MX="1" and MY="1"

Table 9.9.1 Rules for updating order

Condition	Horizontal Counter	Vertical Counter
An active VS signal is received	Return to 0	Return to 0
Signal pixel information of the active area is received	Increment by 1	No change
An active HS signal between two active area lines	Return to 0	Increment by 1
The horizontal counter is larger than 239 and the vertical counter is larger than 319	Return to 0	Return to 0

Note 1. Pixel order is RGB on the display.

Note 2. Data streaming direction from the host to the display is described in the following figure.

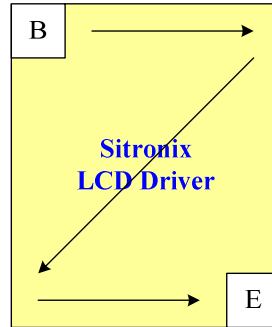


Fig. 9.9.3 Data streaming order for RGB interface

### 9.9.4 RGB Interface Bus Width set

All 4-kinds of bus width can be available in RGB interface mode (selected by COLMOD (3Ah) command for 6-bit, 16-bit and 18-bit data width)

VIPF[3:0]	D17	D16	D15	D14	D13	D12	D11	D10	D9	D8	D7	D6	D5	D4	D3	D2	D1	D0	Bus width
0101	R4	R3	R2	R1	R0	x	G5	G4	G3	G2	G1	G0	B4	B3	B2	B1	B0	x	16-bit data
0110	R5	R4	R3	R2	R1	R0	G5	G4	G3	G2	G1	G0	B5	B4	B3	B2	B1	B0	18-bit data
1110	x	x	x	x	x	x	x	x	x	x	x	x	R5	R4	R3	R2	R1	R0	6-bit data
	x	x	x	x	x	x	x	x	x	x	x	x	G5	G4	G3	G2	G1	G0	
	x	x	x	x	x	x	x	x	x	x	x	x	B5	B4	B3	B2	B1	B0	

Note 1: When VIPF[3:0]="1110", 6-bit data width of 3-times transfer is used to transmit 1 pixel data with the 18-bit color depth information.

Note 2: Only VIPF[3:0]= "0101", "0110" and "1110" are valid on RGB I/F, Others are invalid.

Note 3: 'x' Don't care, but need to set VDDI or DGND level.

### 9.9.5 RGB Interface Mode Set

Table 9.9.5.1 RGB Interface Mode Setting

RGB I/F Mode	PCLK	DE	VS	HS	Video Data bus D[17:0]	Register for Blanking Porch setting	Reference clock for Display
RGB Mode 1	Used	Used	Used	Used	Used	Not Used	Internal Oscillator
RGB Mode 2	Used	Used	Used	Used	Used	Used	Internal Oscillator

There are 2-kinds of RGB mode which is selected by RCM1 & RCM0 hardware pins.

**In RGB Mode 1** (RCM1, RCM0 = "10"), writing data to frame memory is done by PCLK and data bus (D[17:0]), when DE is in high state. The external synchronization signals (PCLK, VS and HS) are used for internal display signals. So, controller (host) must always transfer PCLK, VS, HS and DE signals to driver.

**In RGB Mode 2** (RCM1, RCM0 = "11"), blanking porch setting of VS and HS signals are defined by RGBBPCTR (B5h) command. DE pin is used for data making. When DE pin is high, valid data is directly stored to frame memory. In the contrast, if DE pin is low the data of frame memory will keep same status.



## 9.9.6 RGB Interface Timing Diagram

### 9.9.6.1 General Timings for RGB I/F

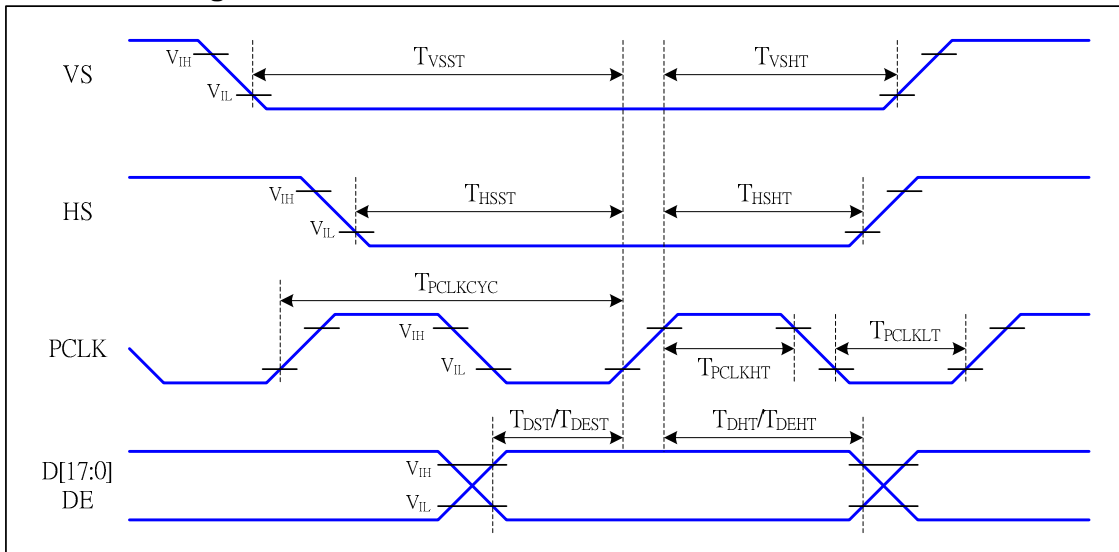


Fig. 9.9.6 General timing of RGB interface

Table 9.9.6.1 General Timing for RGB I/F

Item	Symbol	Condition	Specification			Unit
			Min	Type.	Max	
Pixel low pulse width	$T_{PCLKLT}$		15			
Pixel high pulse width	$T_{PCLKHT}$		15			
Vertical Sync. set-up time	$T_{VSST}$		15			ns
Vertical Sync. hold time	$T_{VSHT}$		15			ns
Horizontal Sync. set-up time	$T_{HSST}$		15			ns
Horizontal Sync. hold time	$T_{HSHT}$		15			ns
Data Enable set-up time	$T_{DEST}$		15			
Data Enable hold time	$T_{DEHT}$		15			
Data set-up time	$T_{DST}$		15			
Data hold time	$T_{DHT}$		15			

Note 1:  $V_{DDI}=1.6$  to  $3.3V$ ,  $V_{DD}=2.5$  to  $3.3V$ ,  $AGND=DGND=0V$ ,  $T_a=-30$  to  $70^\circ C$  (to  $+85^\circ C$  no damage)

Note 2: The input signal rise time and fall time ( $t_r$ ,  $t_f$ ) is specified at 15 ns or less.

Note 3: Data lines can be set to "High" or "Low" during blanking time – Don't care.

Note 4: Logic high and low levels are specified as 30% and 70% of  $V_{DDI}$  for Input signals.

Note 5: HP is multiples of eight PCLK.

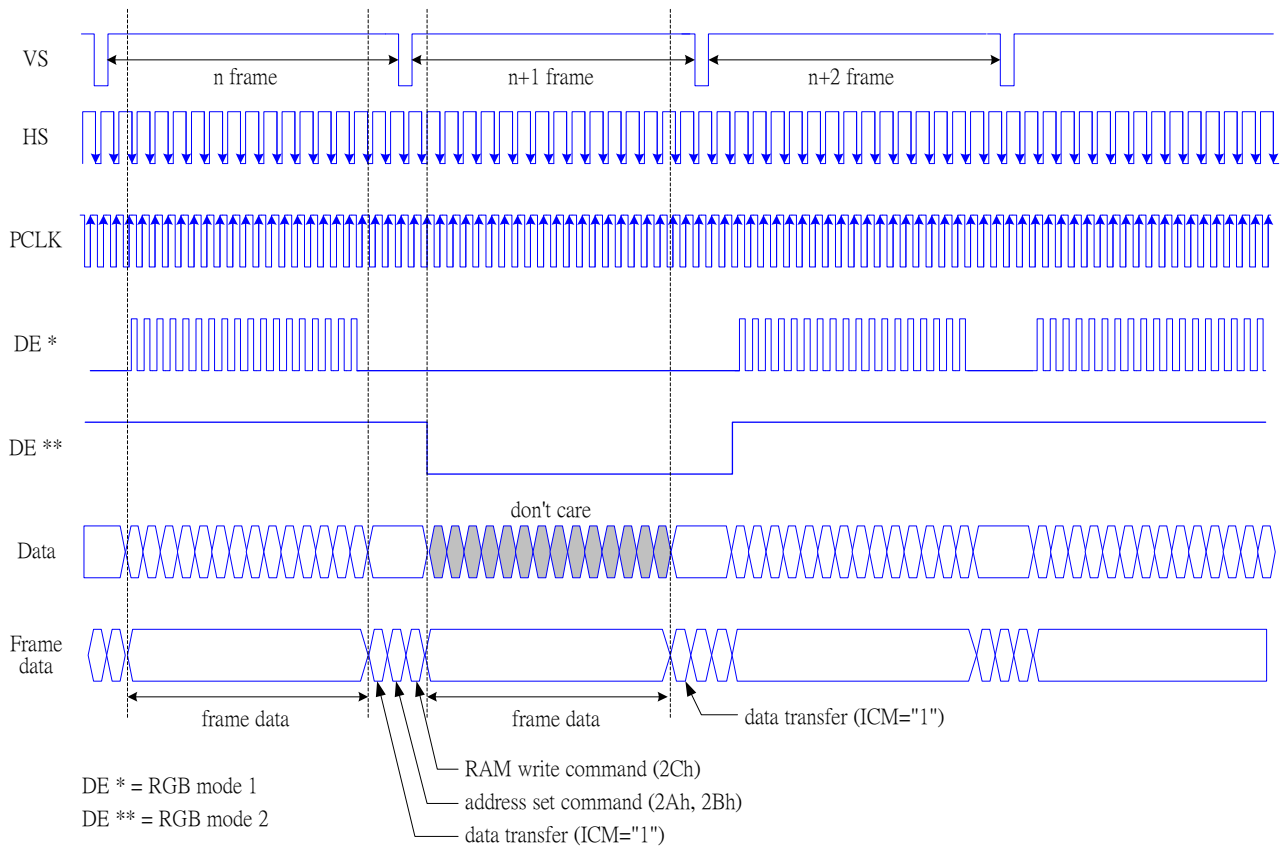


Fig. 9.9.7 RAM access via SPI interface in RGB mode

Note: DP='0', EP='0', HSP='0' and VSP='0' of RGBCTR (B0h) command.

## 9.9.6.2 RGB Interface Mode 1 Timing Diagram

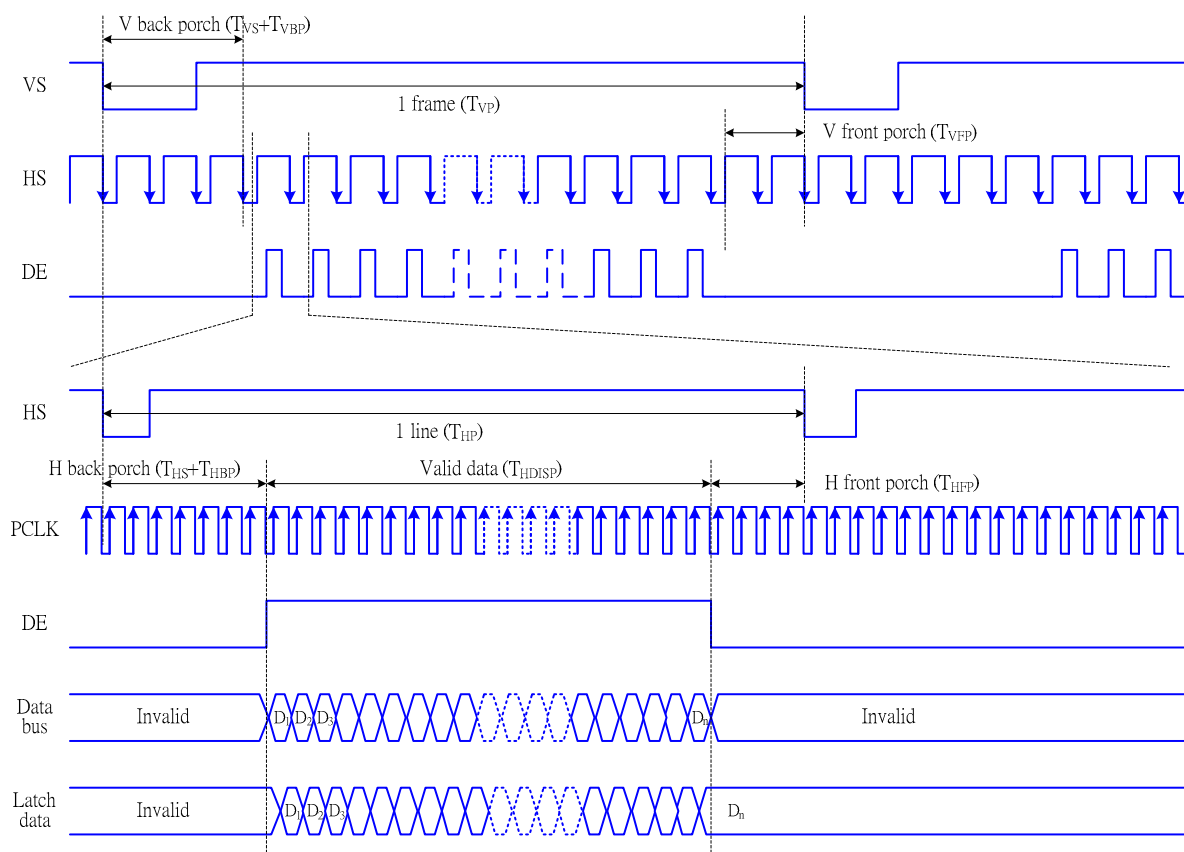
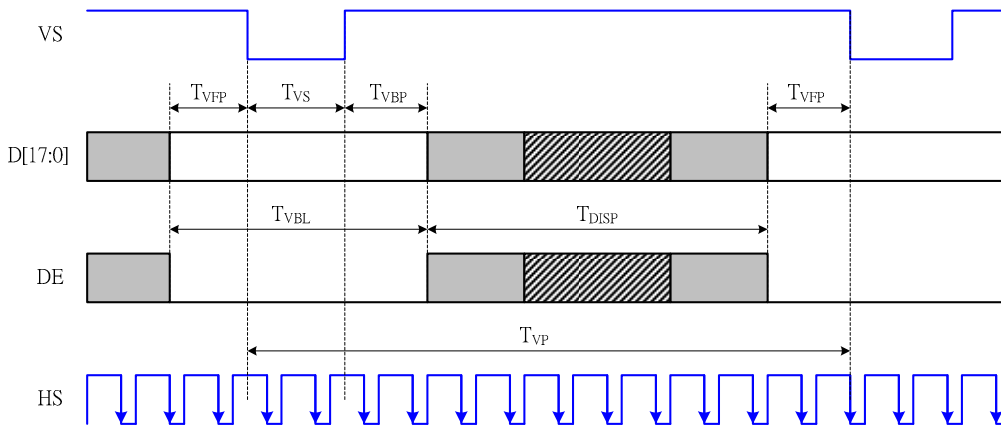


Fig. 9.9.8 RGB mode 1 timing diagram

Note:  $DP=0$ ,  $EP=0$ ,  $HSP=0$  and  $VSP=0$  of RGBCTR (B0h) command.

Vertical timing for RGB I/F



Horizontal timing for RGB I/F

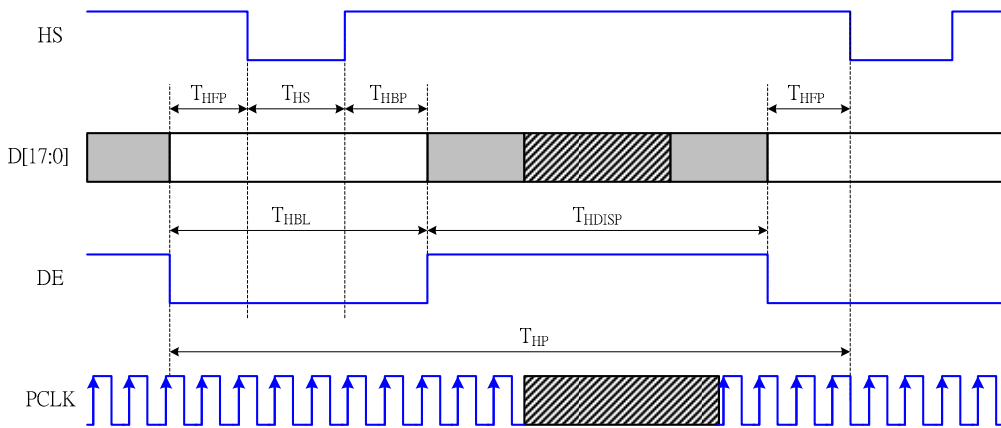


Fig. 9.9.9 Vertical and horizontal timing of RGB interface

Table 9.9.6.2 Vertical and Horizontal Timing for RGB I/F

Item	Symbol	Condition	Specification			Unit
			Min	Type.	Max	
<b>Vertical Timing</b>						
Vertical cycle period	$T_{VP}$		134		140	HS
Vertical low pulse width	$T_{VS}$		2		4	HS
Vertical front porch	$T_{VFP}$		2		4	HS
Vertical back porch	$T_{VBP}$		2		4	HS
Vertical data start line		$T_{VS} + T_{VBP}$	4		8	HS
Vertical blanking period	$T_{VBL}$	$T_{VS} + T_{VBP} + T_{VFP}$	6		12	HS
Vertical active area	$T_{VDISP}$			130		HS
Vertical refresh rate	$T_{VRR}$	Frame rate	61.75	65	68.25	Hz
<b>Horizontal Timing</b>						
Horizontal cycle period	$T_{HP}$		152		745	PCLK
Horizontal low pulse width	$T_{HS}$		2		256	PCLK
Horizontal front porch	$T_{HFP}$		2		256	PCLK
Horizontal back porch	$T_{HBP}$		2		256	PCLK
Horizontal data start point		$T_{HS} + T_{HBP}$	30		766	PCLK
Horizontal blanking period	$T_{HBL}$		32		768	PCLK
Horizontal active area	$T_{HDISP}$			120		PCLK
Pixel clock cycle	$T_{PCLKCYC}$		100		718	ns
	$f_{PCLKCYC}$		1.4		10	MHz

Note 1.  $VDDI=1.6$  to  $3.3V$ ,  $VDD=2.5$  to  $3.3V$ ,  $AGND=DGND=0V$ ,  $T_a=-30$  to  $70^\circ C$

Note 2. HP is multiples of eight PCLK.

9.9.6.3 RGB Interface Mode 2 Timing Diagram

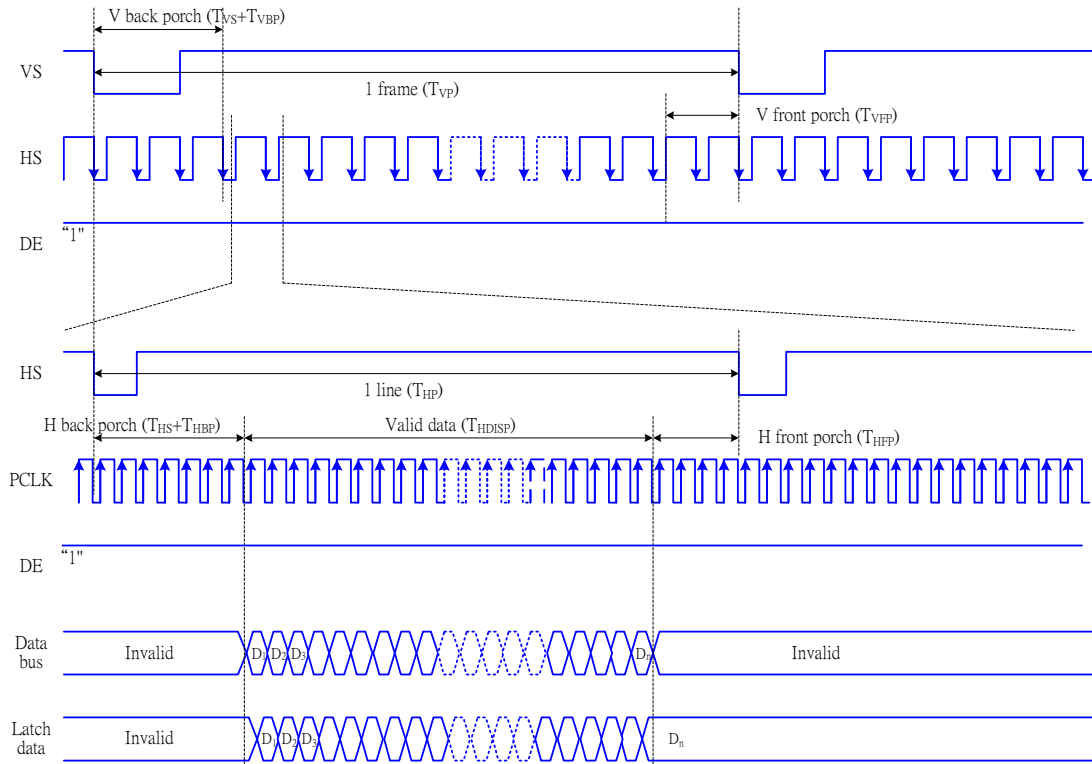


Fig. 9.9.10 RGB mode 2 timing diagram

Vertical timing for RGB I/F

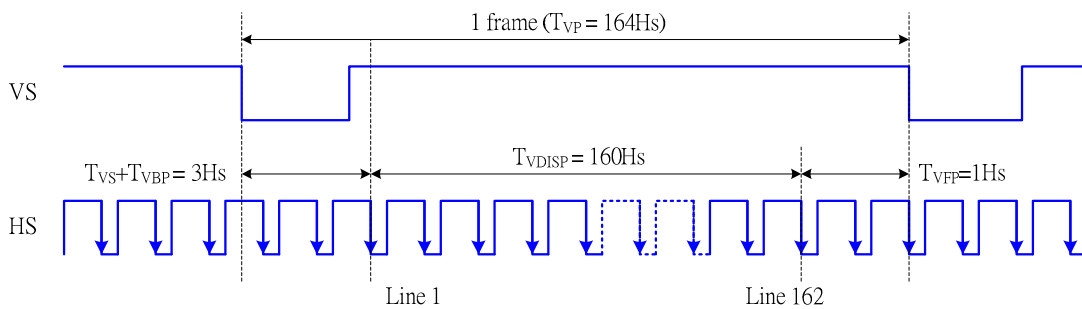


Fig. 9.9.11 RGB mode 2 vertical timing diagram

Note:  $DP='0'$ ,  $EP='0'$ ,  $HSP='0'$  and  $VSP='0'$  of RGBCTR (B0h) command.

Horizontal timing for RGB I/F

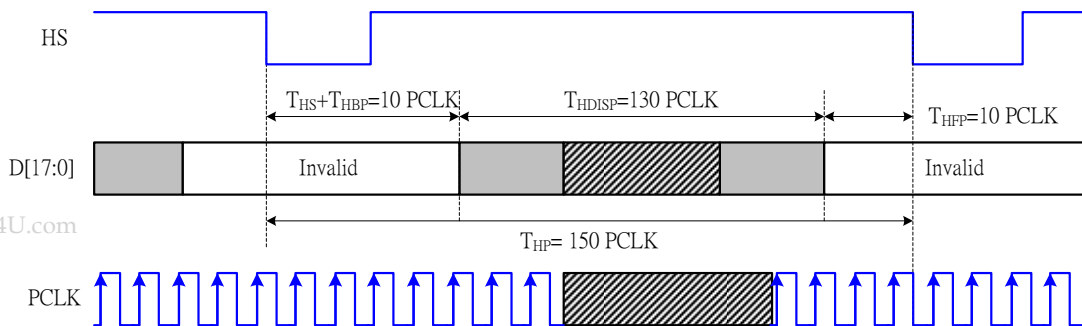


Fig. 9.9.12 RGB mode 2

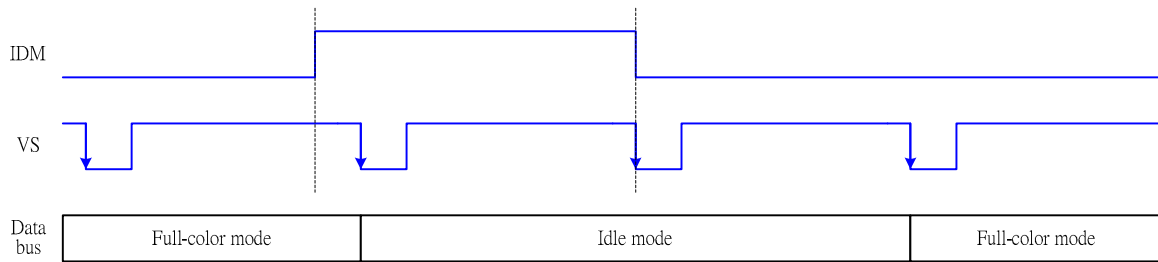
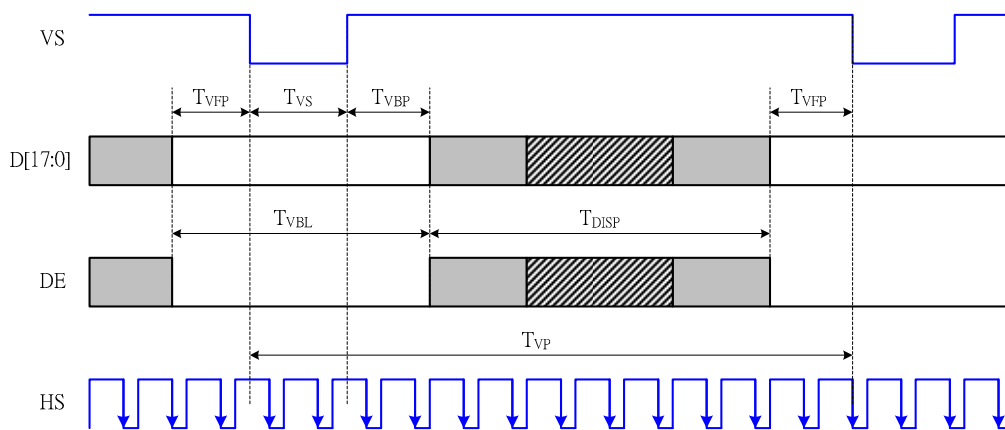


Fig. 9.9.13 RGB mode 2 idle mode timing diagram

Note:  $DP=0'$ ,  $EP=0'$ ,  $HSP=0'$  and  $VSP=0'$  of RGBCTR (B0h) command.

Vertical timing for RGB I/F



Horizontal timing for RGB I/F

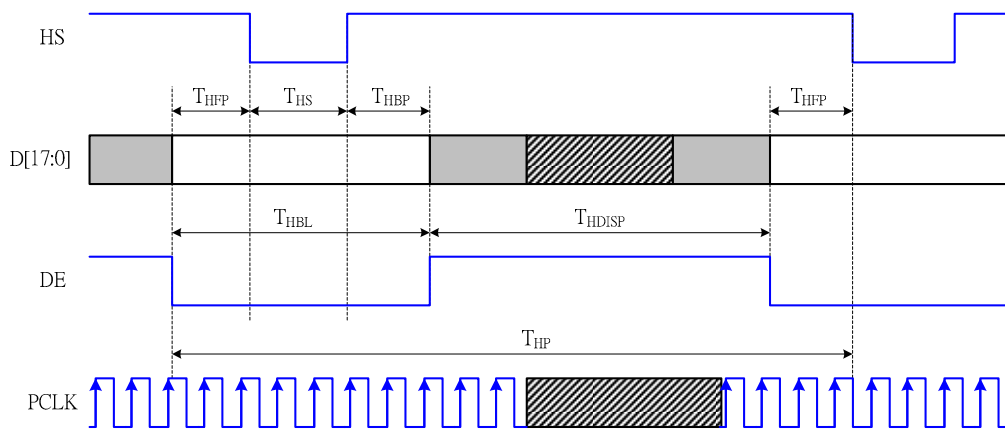


Fig. 9.9.14 Vertical and Horizontal in RGB interface

# ST7713

Table 9.9.6.3 Vertical and Horizontal Timing for RGB I/F

Item	Symbol	Condition	Specification			Unit
			Min	Type.	Max	
<b>Vertical Timing</b>						
Vertical cycle period	$T_{VP}$		131	132		HS
Vertical low pulse width	$T_{VS}$		1		4	HS
Vertical front porch	$T_{VFP}$		1	1	1023	HS
Vertical back porch	$T_{VBP}$		1		1023	HS
Vertical data start line		$T_{VS} + T_{VBP}$	2	3	1023	HS
Vertical blanking period	$T_{VBL}$	$T_{VS} + T_{VBP} + T_{VFP}$	3	4	1023	HS
Vertical active area	$T_{VDISP}$			130		HS
Vertical refresh rate	TVRR	Frame rate	61.75	65	68.25	Hz
<b>Horizontal Timing</b>						
Horizontal cycle period	$T_{HP}$		131		511	PCLK
Horizontal low pulse width	$T_{HS}$		1		63	PCLK
Horizontal front porch	$T_{HFP}$		1		63	PCLK
Horizontal back porch	$T_{HBP}$		1		63	PCLK
Horizontal data start point		$T_{HS} + T_{HBP}$	1	10	63	PCLK
Horizontal blanking period	$T_{HBL}$		3	20	256	PCLK
Horizontal active area	$T_{HDISP}$			130		PCLK
Pixel clock cycle	$T_{PCLKCYC}$		100	788	896	ns
	$f_{PCLKCYC}$		1.12	1.27	10	MHz

Note 1. VDDI=1.6 to 3.3V, VDD=2.5 to 3.3V, AGND=DGND=0V, Ta=-30 to 70°C

Note 2. Data lines can be set to "High" or "Low" during blanking time – Don't care.

Note 3. HP is multiples of eight PCLK.

## 9.9.6.4 Power On Sequence on RGB Mode 2

The Driver operates power up and display ON by VDD, VDDI, SHUT, VS, HS, DE, PCLK on RGB mode 2 as show as following figure.

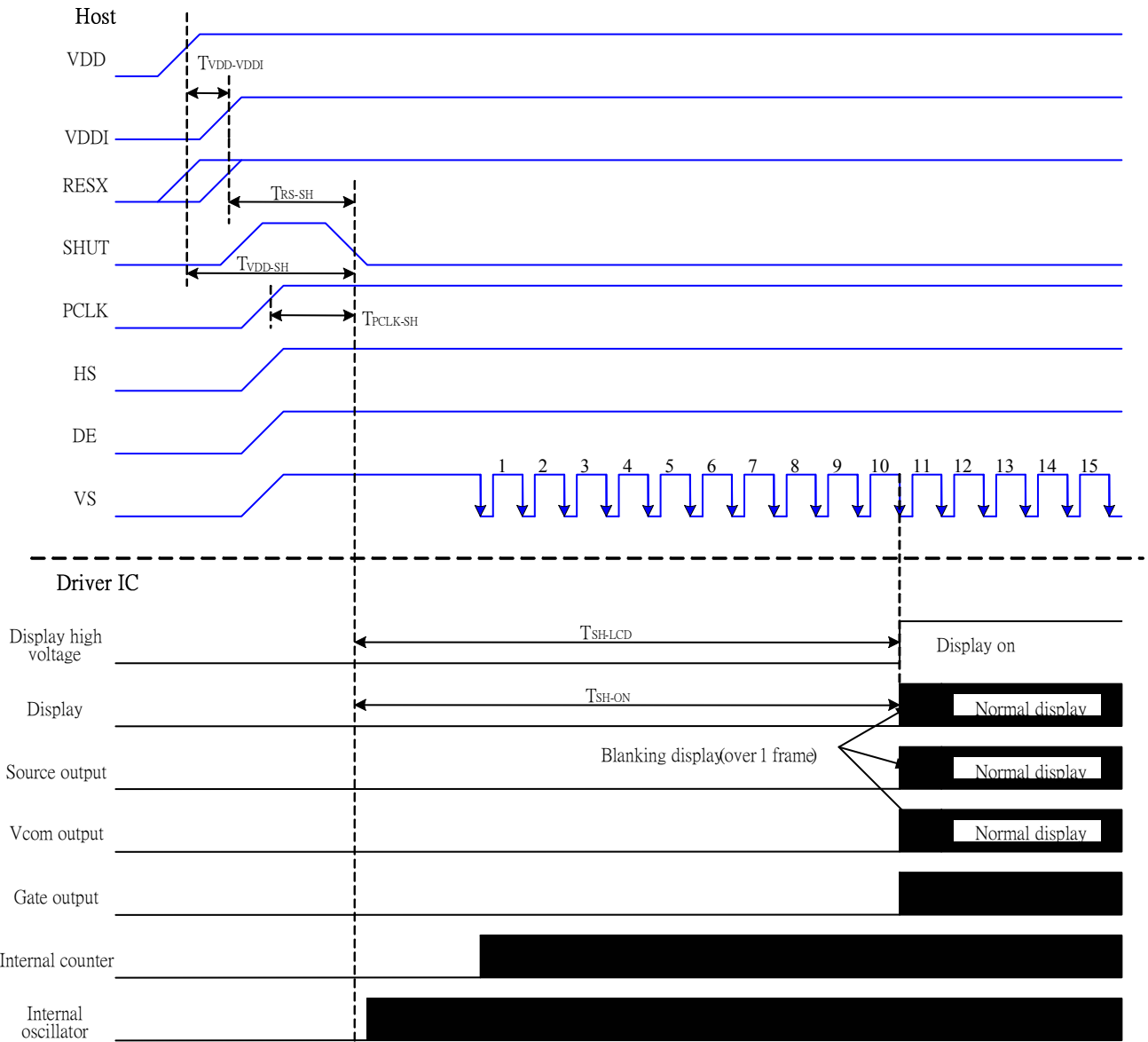


Fig. 9.9.15 Power-ON sequence in RGB mode 2

Table 9.9.6.4 Power ON AC Characteristics

Characteristics	Symbol	Min	Typ	Max	Unit	Remark
VDD On to VDDI On	TVDD-VDDI	0			ns	Note1
VDDI/VDD on to falling edge of SHUT	TVDD-SH	1			ms	
RESX to falling of SHUT	TRS-SH	10			us	
Signals input to falling edge of SHUT *	TCLK-SH	1			PCLK	Note2
Falling edge of SHUT to LCD power ON	TSH-LCD			120	ms	
Falling edge of SHUT to Display start	TSH-ON		10		VS	

Note 1: TVDDI-VDD can be  $\leq 0ns$ ,  $>0ns$ . In any case, VDDI and VDD power up sequence should not have any impact on the driver / display functionalities / performance.

Note 2: Signals mean VS, HS, DE and PCLK signal.

Note 3: DP='0', EP='0', HSP='0' and VSP='0' of RGBCTR (B0h) command.



## 9.9.6.5 Power OFF Sequence on RGB Mode 2

The Driver operates power off and display OFF by VDD, VDDI, SHUT, VS, HS and DE on RGB mode 2 as show as following figure.

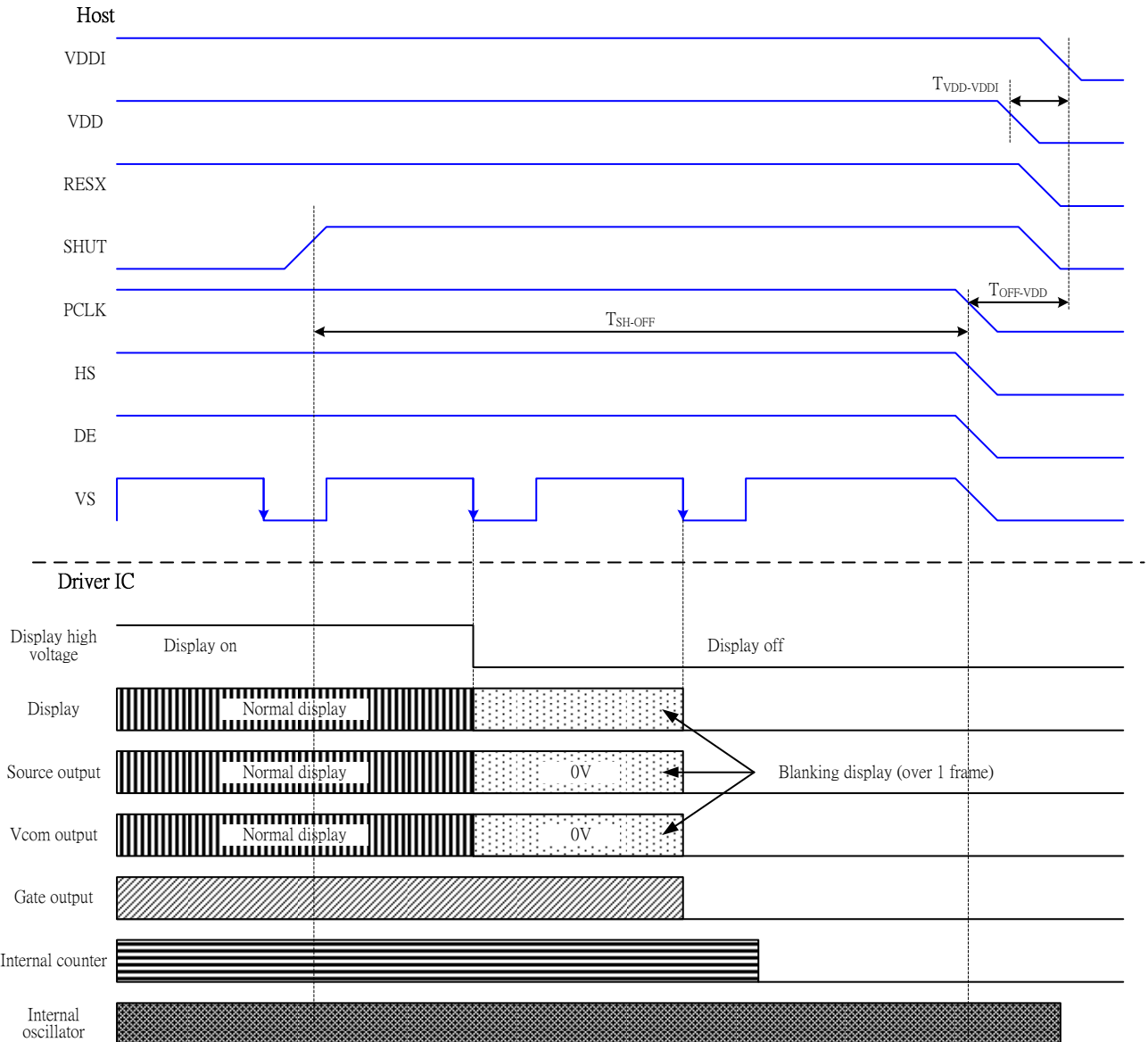


Fig. 9.9.16 Power-OFF sequence in RGB mode 2

Table 9.9.6.5 Power OFF AC Characteristics

Characteristics	Symbol	Min	Typ	Max	Unit	Remark
VDDI On to VDD On	TVDDI-VDD	0			ns	Note1
Signals input to VDDI/VDD off	TSH-OFF	1			us	Note2
Rising edge of SHUT to Display off	TSH-OFF	2			VS	

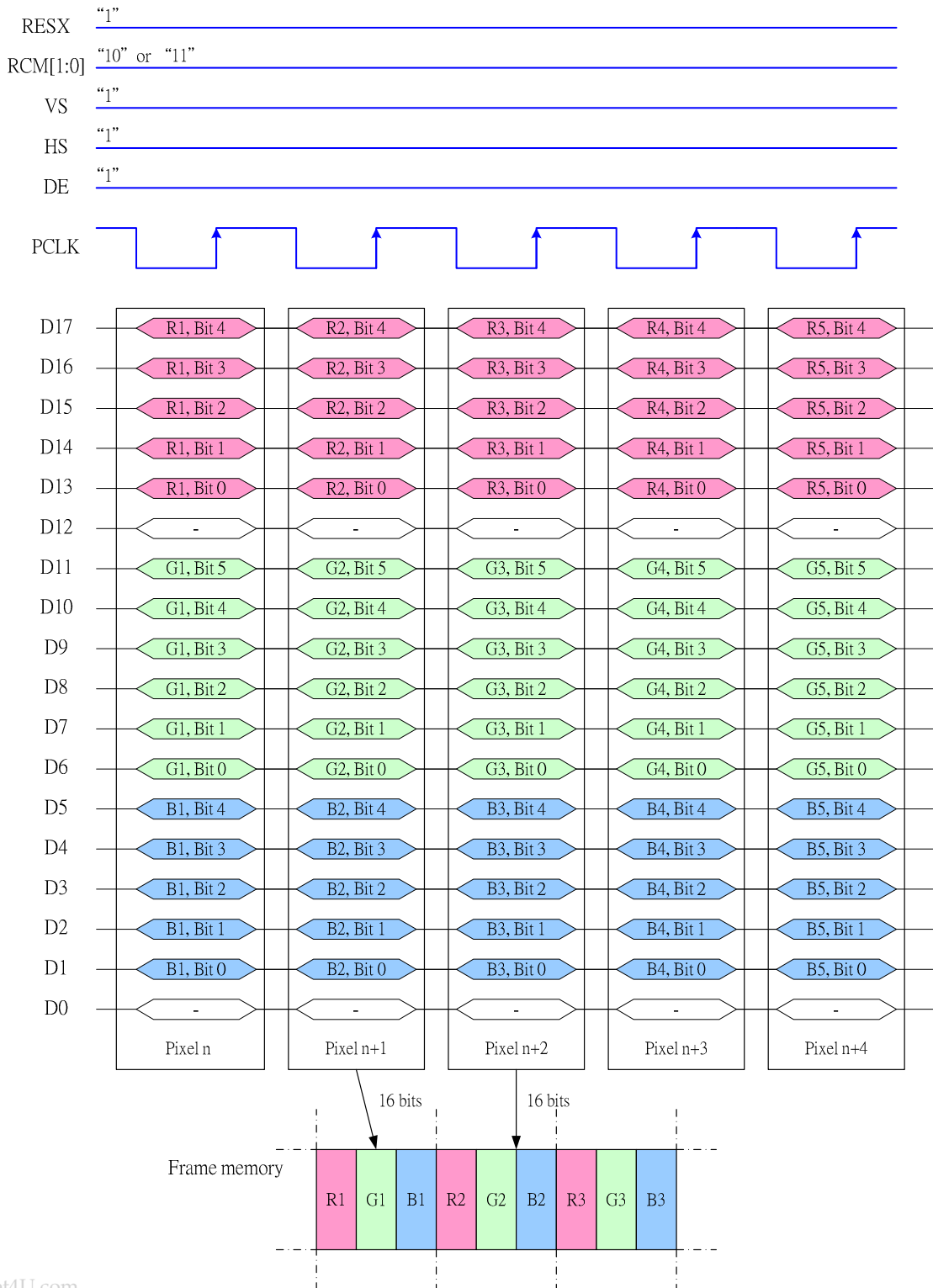
Note 1: TVDDI-VDD can be  $\leq 0ns$ ,  $> 0ns$ . In any case, VDDI and VDD power up sequence should not have any impact on the driver / display functionalities / performance.

Note 2: Signals mean VS, HS, DE and PCLK signal.

Note 3: DP='0', EP='0', HSP='0' and VSP='0' of RGBCTR (B0h) command.

## 9.9.7 RGB Data Color Coding

### 9.9.7.1 16-bit/pixel Color Order on the RGB Interface

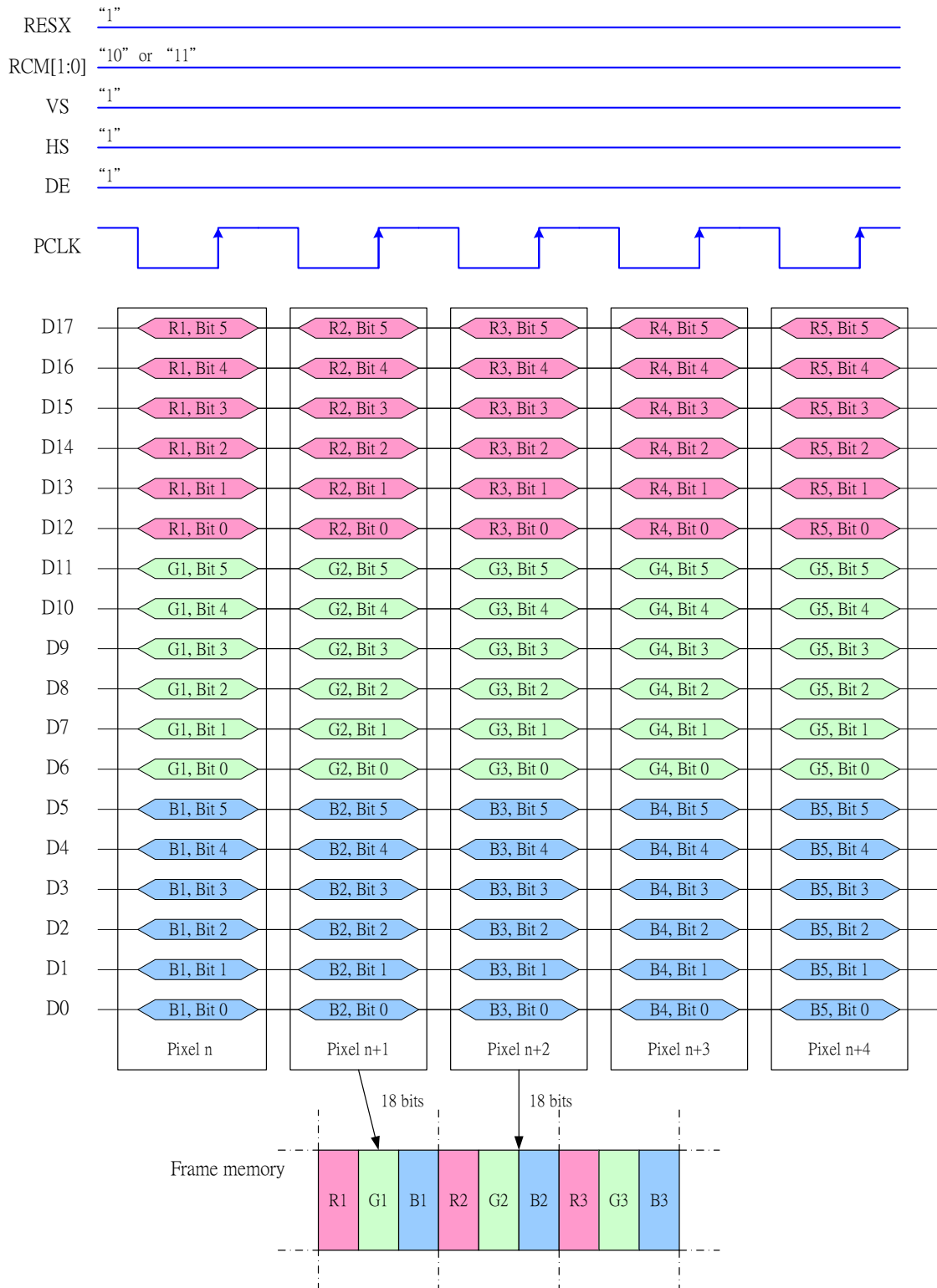


www.DataSheet4U.com

Note 1: The data order is as follows, MSB=D17, LSB=D0 and picture data is MSB=Bit5, LSB=Bit0 for Green data and MSB=Bit4, LSB=Bit0 for Red and Blue data.

Note 2: '-' Don't care, but need set to VDDI or DGND level.

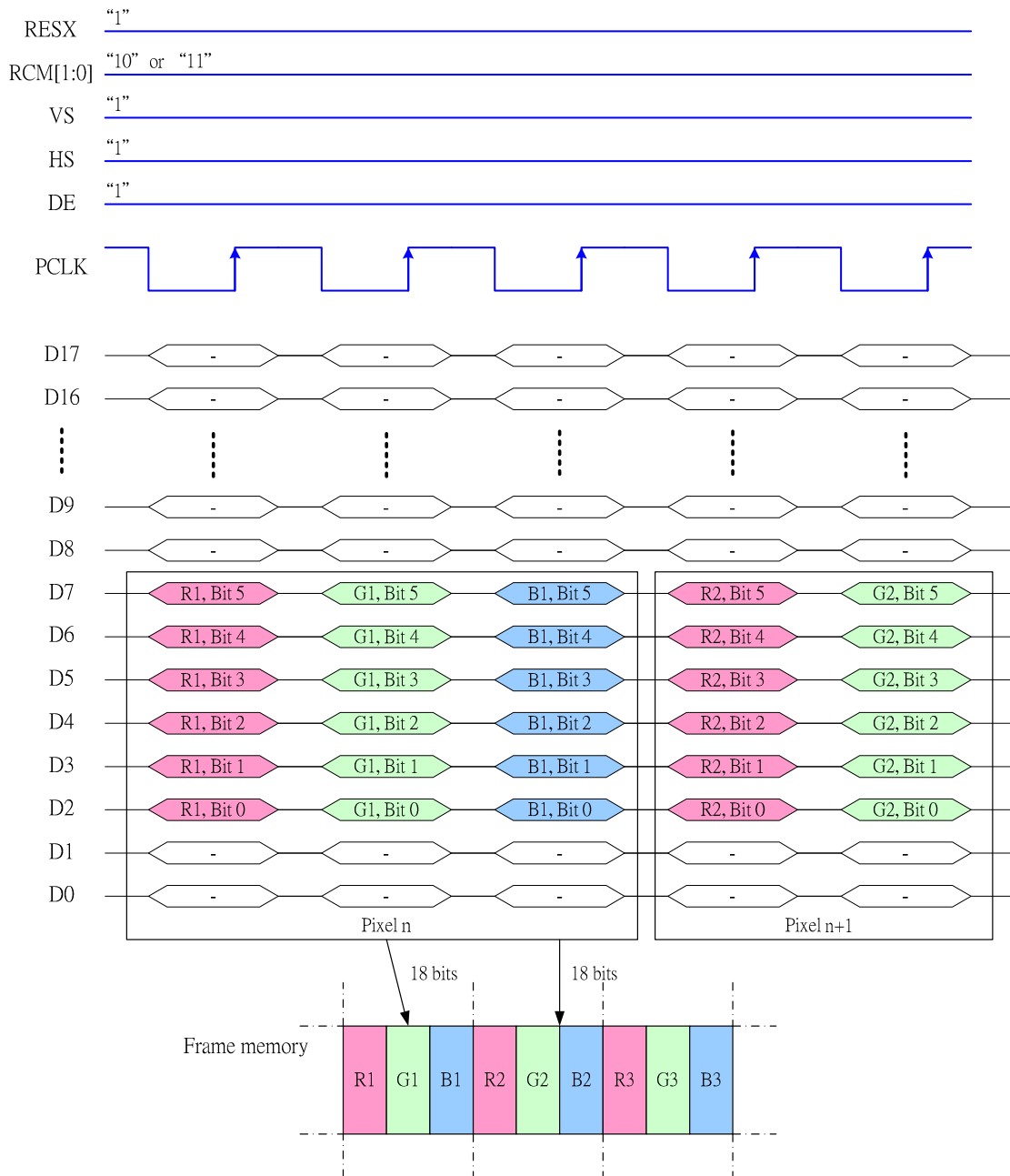
## 9.9.7.2 18-bit/pixel Color Order on the RGB Interface



Note 1: The data order is as follows, MSB=D17, LSB=D0 and picture data is MSB=Bit5, LSB=Bit0 for Red, Green and Blue data.

Note 2: '-' Don't care, but need set to VDDI or DGND level.

## 9.9.7.3 6-bit/pixel Color Order on the RGB Interface



Note 1: The data order is as follows, MSB=D17, LSB=D0 and picture data is MSB=Bit5, LSB=Bit0 for Red, Green and Blue data.

Note 2: '-' Don't care, but need set to VDDI or DGND level.

## 9.10 Display Data RAM

### 9.10.1 Configuration

The display module has an integrated 132x132x18-bit graphic type static RAM. This 384,912-bit memory allows to store on-chip a 132RGBx132image with an 18-bpp resolution (262K-color).

There will be no abnormal visible effect on the display when there is a simultaneous Panel Read and Interface Read or Write to the same location of the Frame Memory.

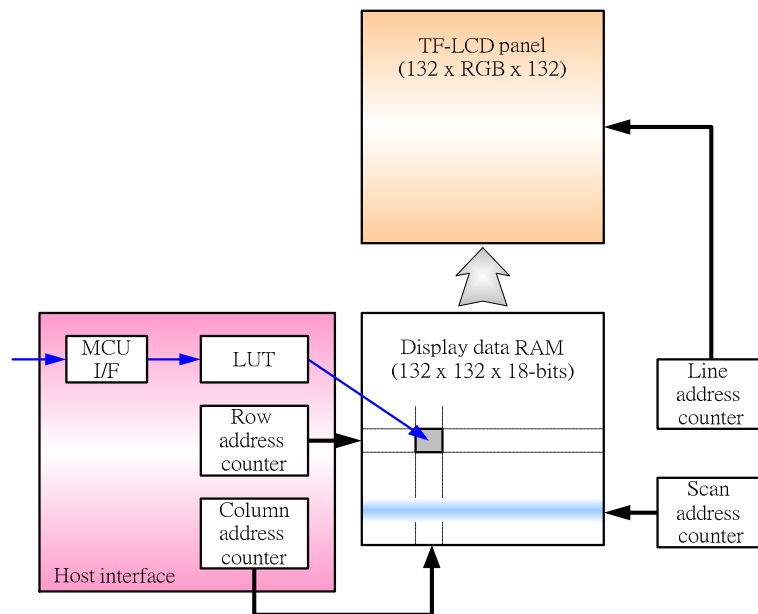


Fig. 9.10.1 Display data RAM organization

# ST7713

## 9.10.2 Memory to Display Address Mapping

### 9.10.2.1 When using 132RGB x 132 resolution (SMX=SMY=SRGB='0')

Gate Out	Source Out	S1	S2	S3	S4	S5	S6	-----	S391	S392	S393	S394	S395	S396	SA		
	RA	RGB=↑		RGB=↑		RGB=↑		RGB Order	RGB=↑		RGB=↑		RGB=↑		ML='0'	ML='1'	
	MY='0'	RGB=↓		RGB=↓		RGB=↓			RGB=↓		RGB=↓		RGB=↓				
	MY='1'	RGB=↓		RGB=↓		RGB=↓			RGB=↓		RGB=↓		RGB=↓				
2	0	131	R0	G0	B0	R1	G1	B1	-----	R130	G130	B130	R131	G131	B131	0	131
3	1	130							-----							1	130
4	2	129							-----							2	129
5	3	128							-----							3	128
6	4	127							-----							4	127
7	5	126							-----							5	126
8	6	125							-----							6	125
9	7	124							-----							7	124
124	124	7							-----							124	7
125	125	6							-----							125	6
126	126	5							-----							126	5
127	127	4							-----							127	4
128	128	3							-----							128	3
129	129	2							-----							129	2
130	130	1							-----							130	1
131	131	0							-----							131	0
CA	MX='0'	0		1		-----		128		129							
	MX='1'	129		128		-----		1		0							

**Note**

RA = Row Address,

CA = Column Address

SA = Scan Address

MX = Mirror X-axis (Column address direction parameter), D6 parameter of MADCTL command

MY = Mirror Y-axis (Row address direction parameter), D7 parameter of MADCTL command

MX = Scan direction parameter, D4 parameter of MADCTL command

RGB = Red, Green and Blue pixel position change, D3 parameter of MADCTL command

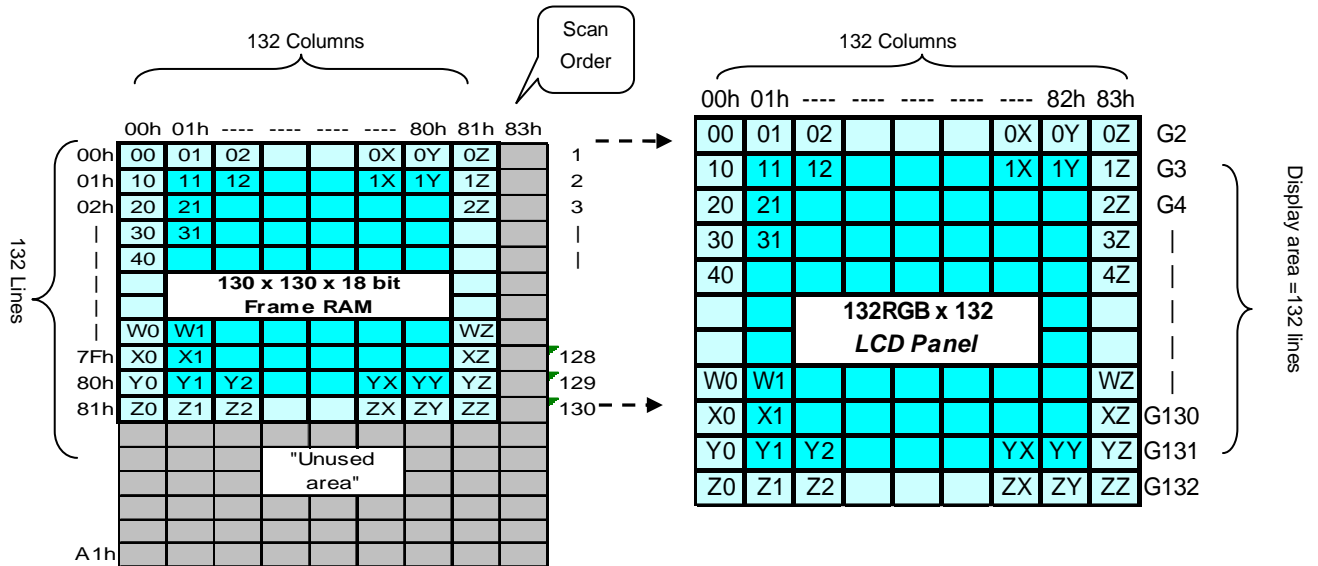
## 9.10.3 Normal Display On or Partial Mode On, Vertical Scroll Off

### 9.10.3.1 When using 132RGB x 132 resolution

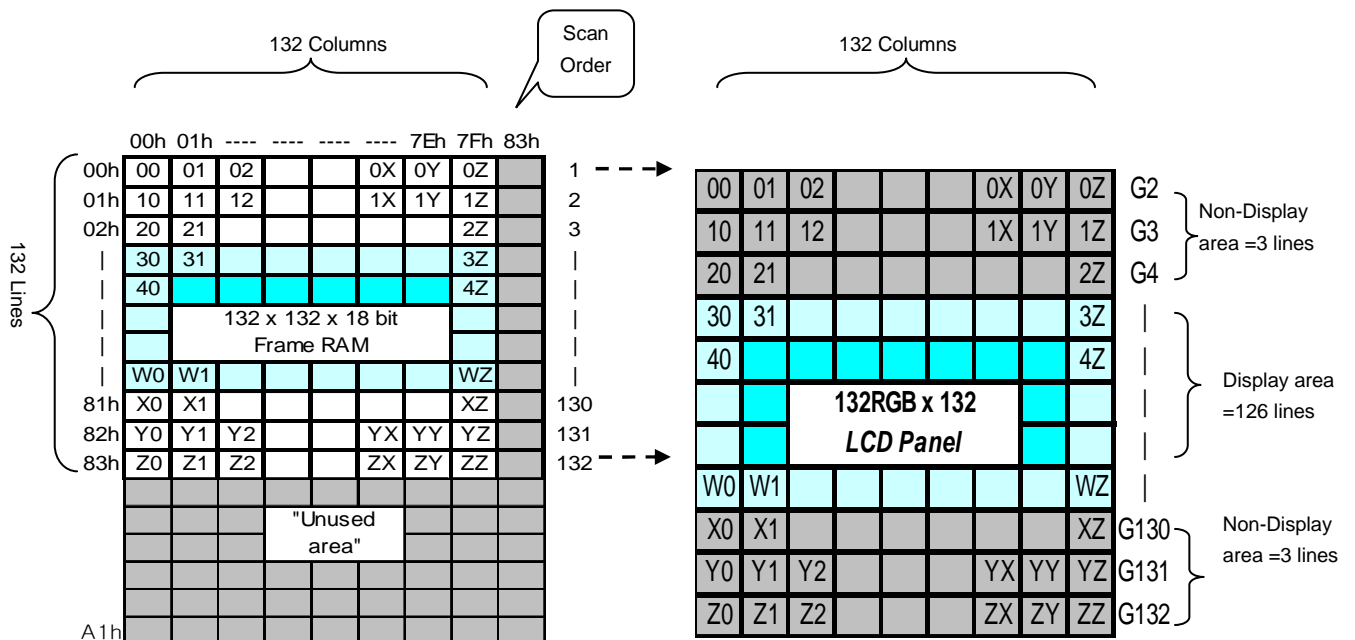
In this mode, contents of the frame memory within an area where column pointer is 00h to 83h and page pointer is 000h to 083h is displayed.

To display a dot on leftmost top corner, store the dot data at (column pointer, row pointer) = (0, 0).

1). Example for Normal Display On (MX=MY=ML='0', SMX=SMY='0')



2). Example for Partial Display On (PSL[7:0]=03h, PEL[7:0]=7Eh, MX=MV=ML='0', SMX=SMY='0')



## 9.10.4 Vertical Scroll Mode

There is vertical scrolling, which are determined by the commands "Vertical Scrolling Definition" (33h) and Vertical Scrolling Start Address" (37h).

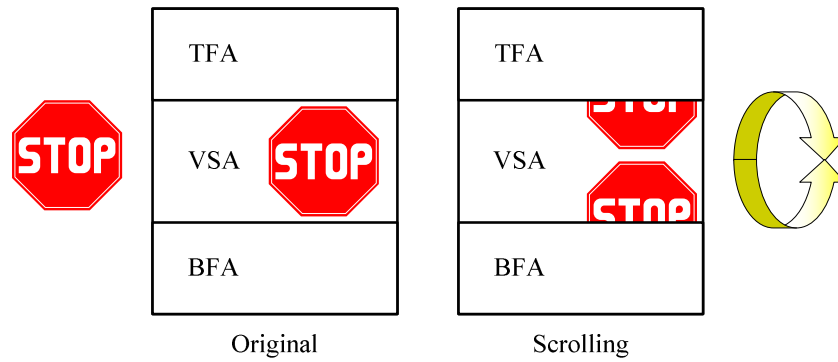


Fig. 9.10.2 Difference between Scrolling and original

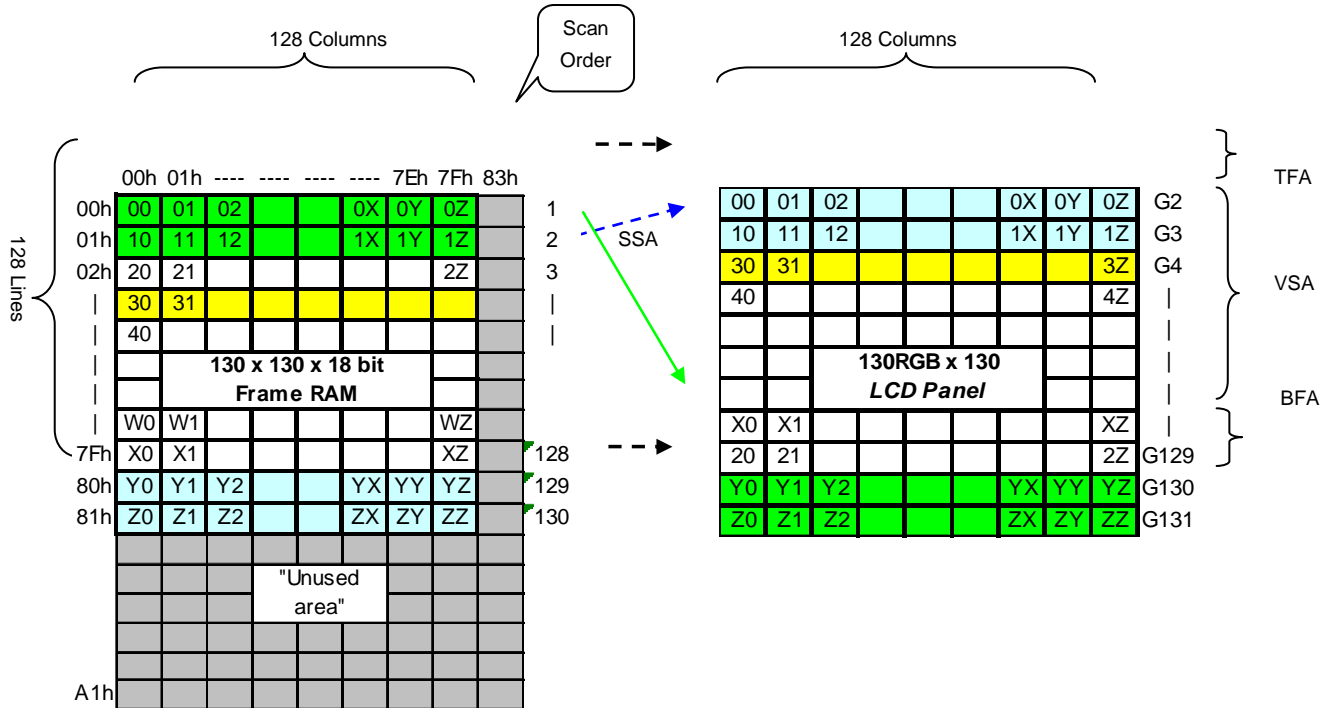


# ST7713

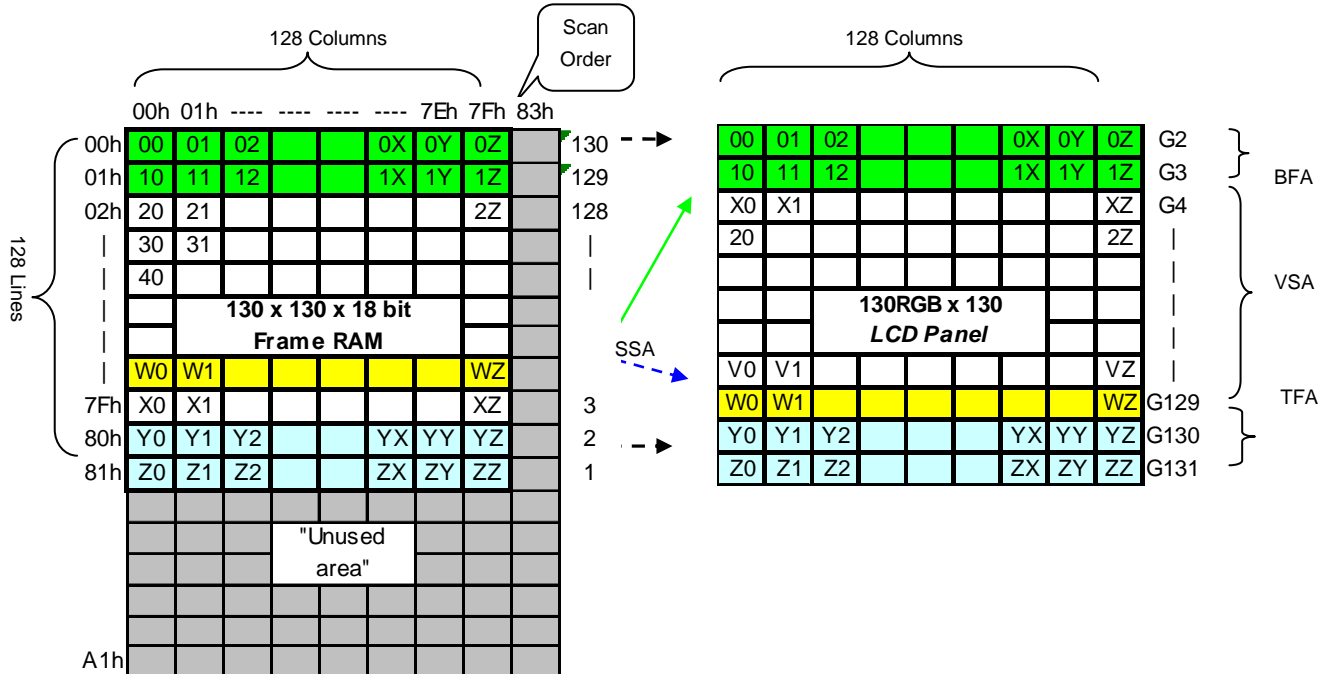
## 9.10.4.1 When using 132RGB x 132 resolution

When Vertical Scrolling Definition Parameters (TFA+VSA+BFA)=132. In this case, scrolling is applied as shown below.

### 1). Example for TFA =2, VSA=123, BFA=2, SSA=3, ML=0: Scrolling



### 2). Example for TFA =2, VSA=123, BFA=2, SSA=3, ML=1: Scrolling: TFA and BFT are exchanged



## 9.10.5 Vertical Scroll Example

### 9.10.5.1 Vertical Scroll Example

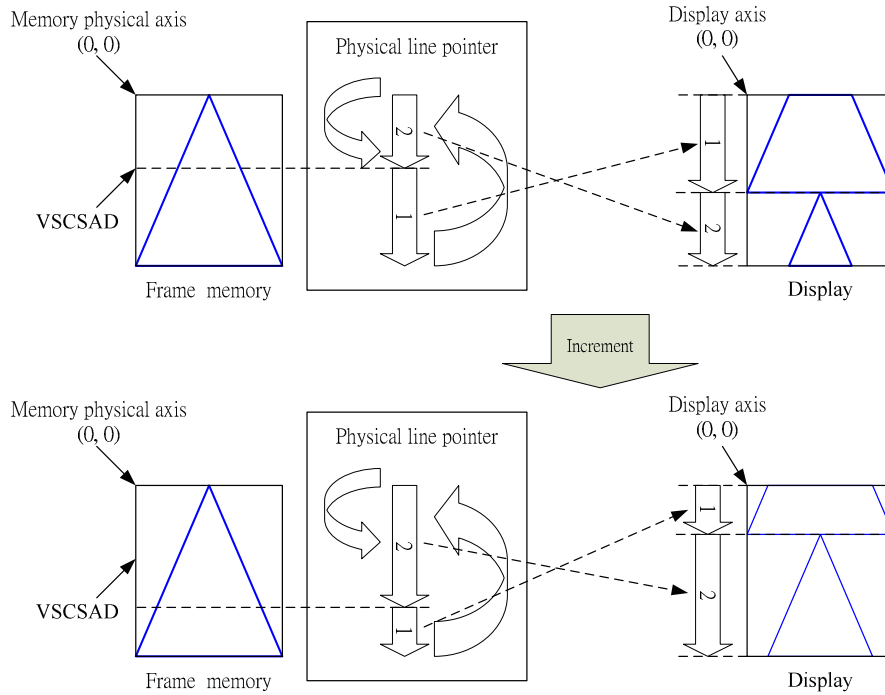
There are 2 types of vertical scrolling, which are determined by the commands "Vertical Scrolling Definition" (33h) and "Vertical Scrolling Start Address" (37h).

#### Case 1: TFA + VSA + BFA≠132

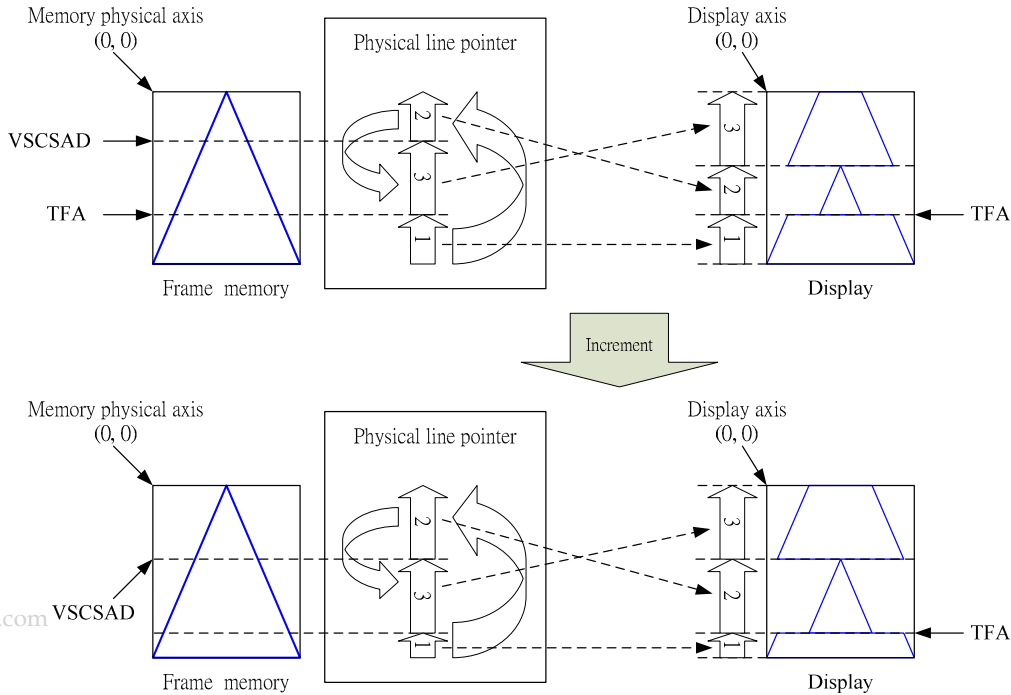
N/A. Do not set TFA + VSA + BFA≠132. In that case, unexpected picture will be shown.

#### Case 2: TFA + VSA + BFA=132 (Scrolling)

Example1) When MADCTL parameter ML="0", TFA=0, VSA=132, BFA=0 and VSCSAD=40.



Example2) When MADCTL parameter ML="1", TFA=30, VSA=98, BFA=0 and VSCSAD=40.



## 9.11 Address Counter

The address counter sets the addresses of the display data RAM for writing and reading.

Data is written pixel-wise into the RAM matrix of DRIVER. The data for one pixel or two pixels is collected (RGB 6-6-6-bit), according to the data formats. As soon as this pixel-data information is complete the "Write access" is activated on the RAM. The locations of RAM are addressed by the address pointers. The address ranges are X=0 to X=131 (83h) and Y=0 to Y=131 (83h). Addresses outside these ranges are not allowed. Before writing to the RAM, a window must be defined that will be written. The window is programmable via the command registers XS, YS designating the start address and XE, YE designating the end address.

For example the whole display contents will be written, the window is defined by the following values: XS=0 (0h) YS=0 (0h) and XE=131 (83h), YE=131 (83h).

In vertical addressing mode (MV=1), the Y-address increments after each byte, after the last Y-address (Y=YE), Y wraps around to YS and X increments to address the next column. In horizontal addressing mode (V=0), the X-address increments after each byte, after the last X-address (X=XE), X wraps around to XS and Y increments to address the next row. After the every last address (X=XE and Y=YE) the address pointers wrap around to address (X=XS and Y=YS).

For flexibility in handling a wide variety of display architectures, the commands "CASET, RASET" and "MADCTL" (see section 10 command list), define flags MX and MY, which allows mirroring of the X-address and Y-address. All combinations of flags are allowed. Section 9.12 show the available combinations of writing to the display RAM. When MX, MY and MV will be changed the data must be rewritten to the display RAM.

For each image condition, the controls for the column and row counters apply as section 9.12 below:

Condition	Column Counter	Row Counter
When RAMWR/RAMRD command is accepted	Return to "Start Column (XS)"	Return to "Start Row (YS)"
Complete Pixel Read / Write action	Increment by 1	No change
The Column counter value is larger than "End Column (XE)"	Return to "Start Column (XS)"	Increment by 1
The Column counter value is larger than "End Column (XE)" and the Row counter value is larger than "End Row (YE)"	Return to "Start Column (XS)"	Return to "Start Row (YS)"

## 9.12. Memory Data Write/ Read Direction

The data is written in the order illustrated above. The Counter which dictates where in the physical memory the data is to be written is controlled by "Memory Data Access Control" Command, bits B5 (MV), B6 (MX), B7 (MY) as described below.

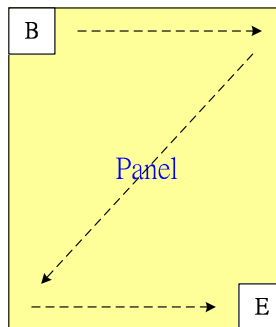
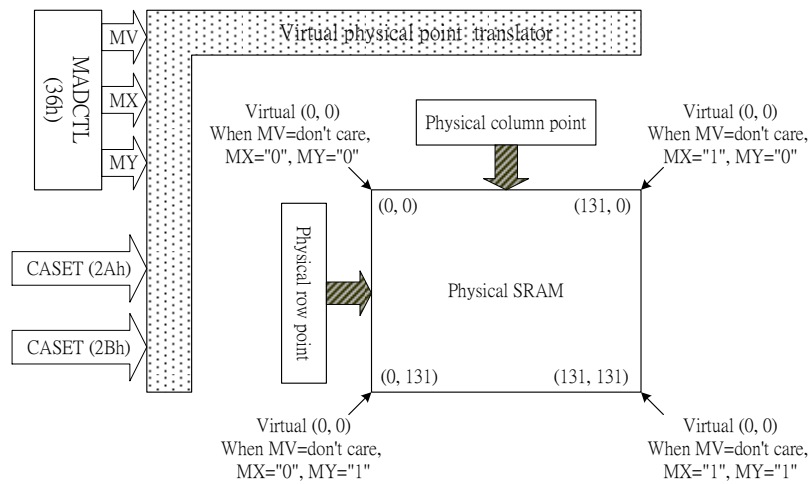


Fig. 9.12.1 Data streaming order

## 9.12.1.1 When 132RGBx132



MV	MX	MY	CASET	RASET
0	0	0	Direct to Physical Column Pointer	Direct to Physical Row Pointer
0	0	1	Direct to Physical Column Pointer	Direct to (131-Physical Row Pointer)
0	1	0	Direct to (131-Physical Column Pointer)	Direct to Physical Row Pointer
0	1	1	Direct to (131-Physical Column Pointer)	Direct to (131-Physical Row Pointer)
1	0	0	Direct to Physical Row Pointer	Direct to Physical Column Pointer
1	0	1	Direct to (131-Physical Row Pointer)	Direct to Physical Column Pointer
1	1	0	Direct to Physical Row Pointer	Direct to (131-Physical Column Pointer)
1	1	1	Direct to (131-Physical Row Pointer)	Direct to (131-Physical Column Pointer)

Note: Data is always written to the Frame Memory in the same order, regardless of the Memory Write Direction set by MADCTL bits B7 (MY), B6 (MX), B5 (MV). The write order for each pixel unit is

D17	D16	D15	D14	D13	D12	D11	D10	D9	D8	D7	D6	D5	D4	D3	D2	D1	D0
R5	R4	R3	R2	R1	R0	G5	G4	G3	G2	G1	G0	B5	B4	B3	B2	B1	B0

One pixel unit represents 1 column and 1page counter value on the Frame Memory.

## 9.12.2 Frame Data Write Direction According to the MADCTL parameters (MV, MX and MY)

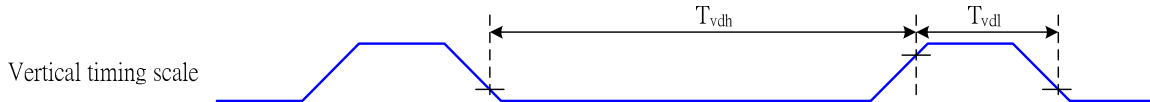
Display Data Direction	MADCTL Parameter			Image in the Host (MPU)	Image in the Driver (DDRAM)	
	MV	MX	MY		H/W position (0,0)	X-Y address (0,0)
Normal	0	0	0		H/W position (0,0)	X-Y address (0,0) X: CASET Y: RASET
Y-Mirror	0	0	1		H/W position (0,0)	X-Y address (0,0) X: CASET Y: RASET
X-Mirror	0	1	0		H/W position (0,0)	X-Y address (0,0) X: CASET Y: RASET
X-Mirror Y-Mirror	0	1	1		H/W position (0,0)	X-Y address (0,0) X: CASET Y: RASET
X-Y Exchange	1	0	0		H/W position (0,0)	X-Y address (0,0) X: RASET Y: CASET
X-Y Exchange Y-Mirror	1	0	1		H/W position (0,0)	X-Y address (0,0) X: RASET Y: CASET
X-Y Exchange X-Mirror	1	1	0		H/W position (0,0)	X-Y address (0,0) X: RASET Y: CASET
X-Y Exchange X-Mirror Y-Mirror	1	1	1		H/W position (0,0)	X-Y address (0,0) X: RASET Y: CASET

## 9.13 Tearing Effect Output Line

The Tearing Effect output line supplies to the MPU a Panel synchronization signal. This signal can be enabled or disabled by the Tearing Effect Line Off & On commands. The mode of the Tearing Effect signal is defined by the parameter of the Tearing Effect Line On command. The signal can be used by the MPU to synchronize Frame Memory Writing when displaying video images.

### 9.13.1 Tearing Effect Line Modes

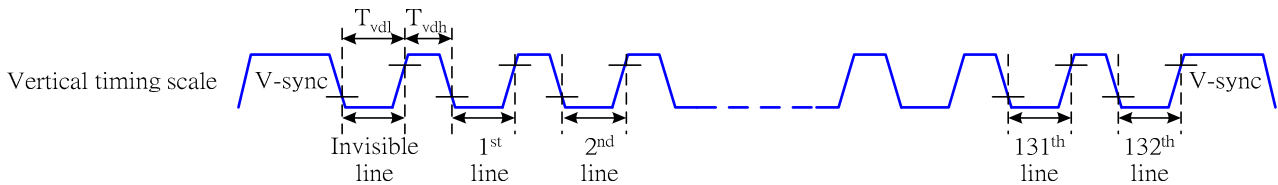
**Mode 1**, the Tearing Effect Output signal consists of V-Blanking Information only:



$tvdh$ = The LCD display is not updated from the Frame Memory

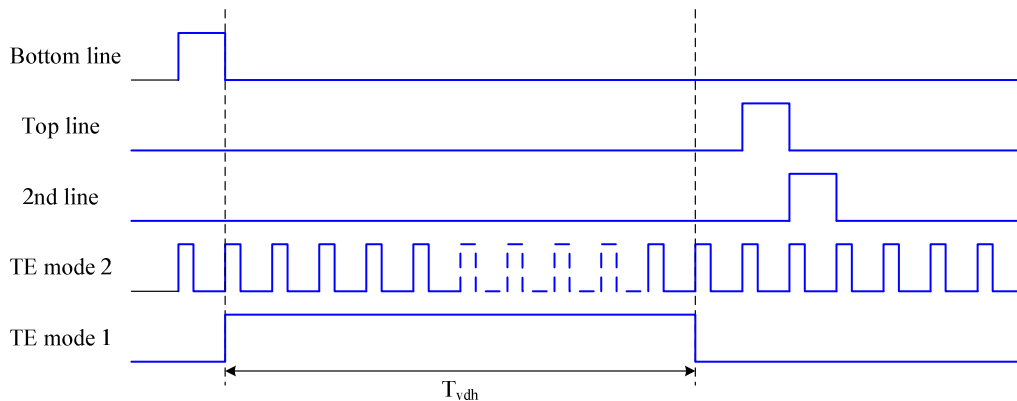
$tvd$ = The LCD display is updated from the Frame Memory (except Invisible Line – see below)

**Mode 2**, the Tearing Effect Output signal consists of V-Blanking and H-Blanking Information, there is one V-sync and 132 H-sync pulses per field.



$thdh$ = The LCD display is not updated from the Frame Memory

$thd$ = The LCD display is updated from the Frame Memory (except Invisible Line – see above)



Note: During Sleep In Mode, the Tearing Output Pin is active Low.

## 9.13.2 Tearing Effect Line Timings

The Tearing Effect signal is described below:

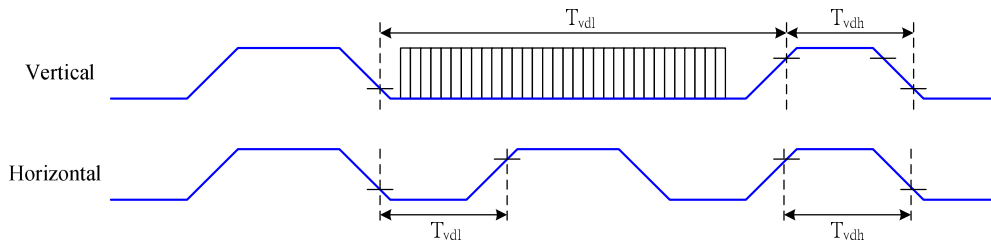
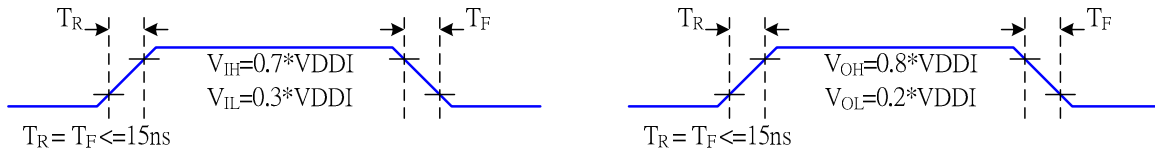


Table 9.13.1 AC characteristics of Tearing Effect Signal Idle Mode Off (Frame Rate = 58.9 Hz)

Symbol	Parameter	min	max	unit	description
t <sub>vdl</sub>	Vertical Timing Low Duration	13	-	ms	
t <sub>vdh</sub>	Vertical Timing High Duration	1000	-	μs	
t <sub>hdl</sub>	Horizontal Timing Low Duration	33	-	μs	
t <sub>hdh</sub>	Horizontal Timing Low Duration	25	500	μs	

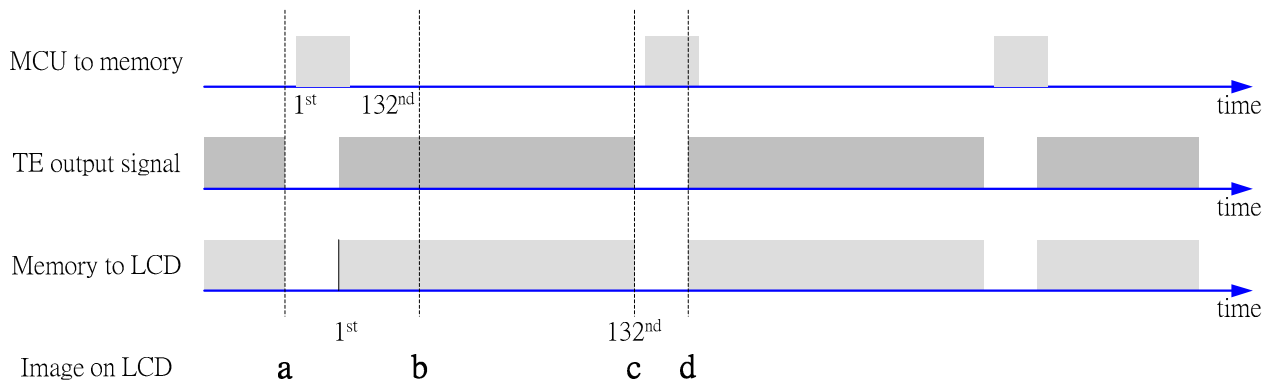
NOTE: The timings in Table 9.3.1 apply when MADCTL ML=0 and ML=1

The signal's rise and fall times (t<sub>f</sub>, t<sub>r</sub>) are stipulated to be equal to or less than 15ns.

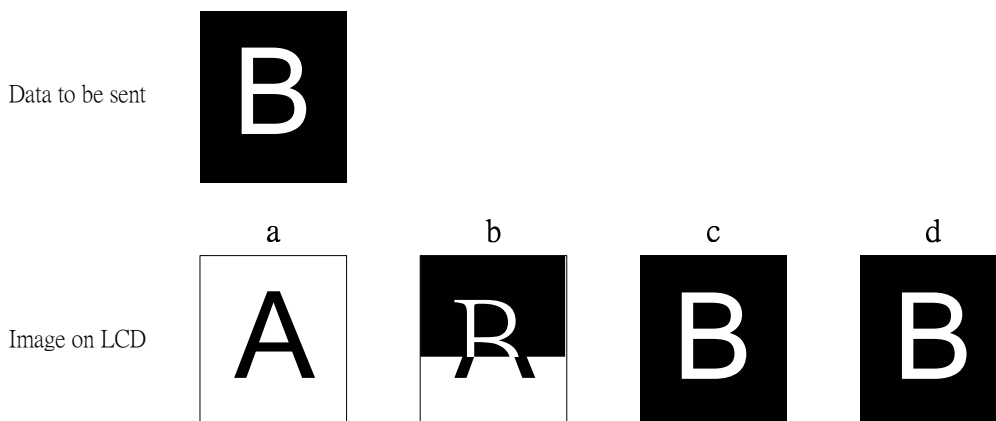


The Tearing Effect Output Line is fed back to the MPU and should be used as shown below to avoid Tearing Effect:

## 9.13.3 Example 1: MPU Write is faster than panel read

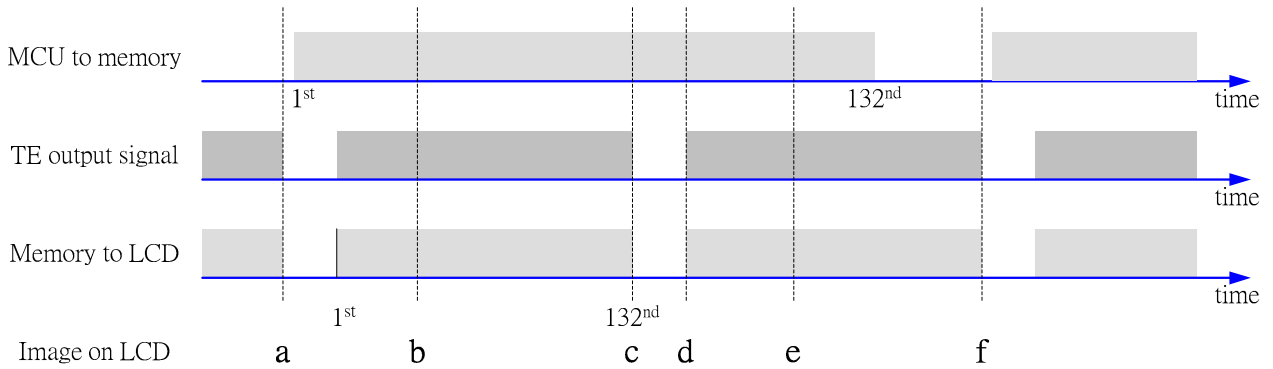


Data write to Frame Memory is now synchronized to the Panel Scan. It should be written during the vertical sync pulse of the Tearing Effect Output Line. This ensures that data is always written ahead of the panel scan and each Panel Frame refresh has a complete new image:

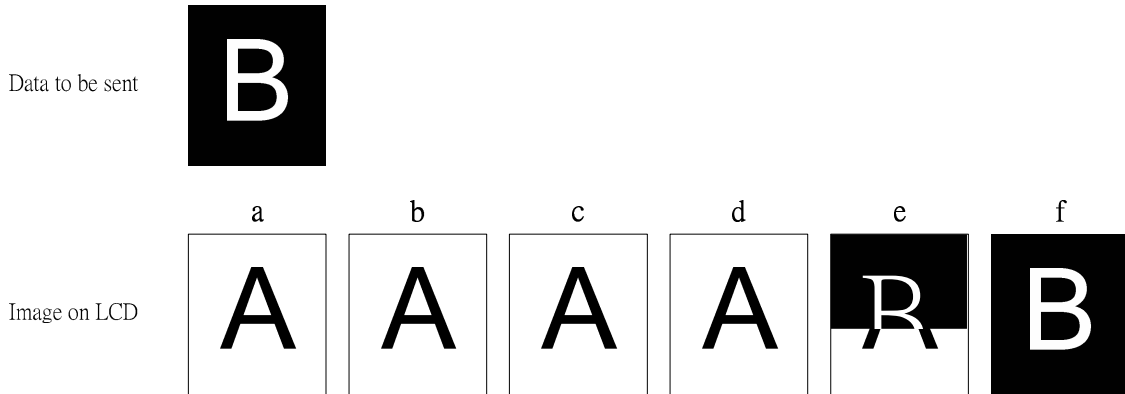




## 9.13.4 Example 2: MPU write is slower than panel read



The MPU to Frame Memory write begins just after Panel Read has commenced i.e. after one horizontal sync pulse of the Tearing Effect Output Line. This allows time for the image to download behind the Panel Read pointer and finishing download during the subsequent Frame before the Read Pointer "catches" the MPU to Frame memory write position.

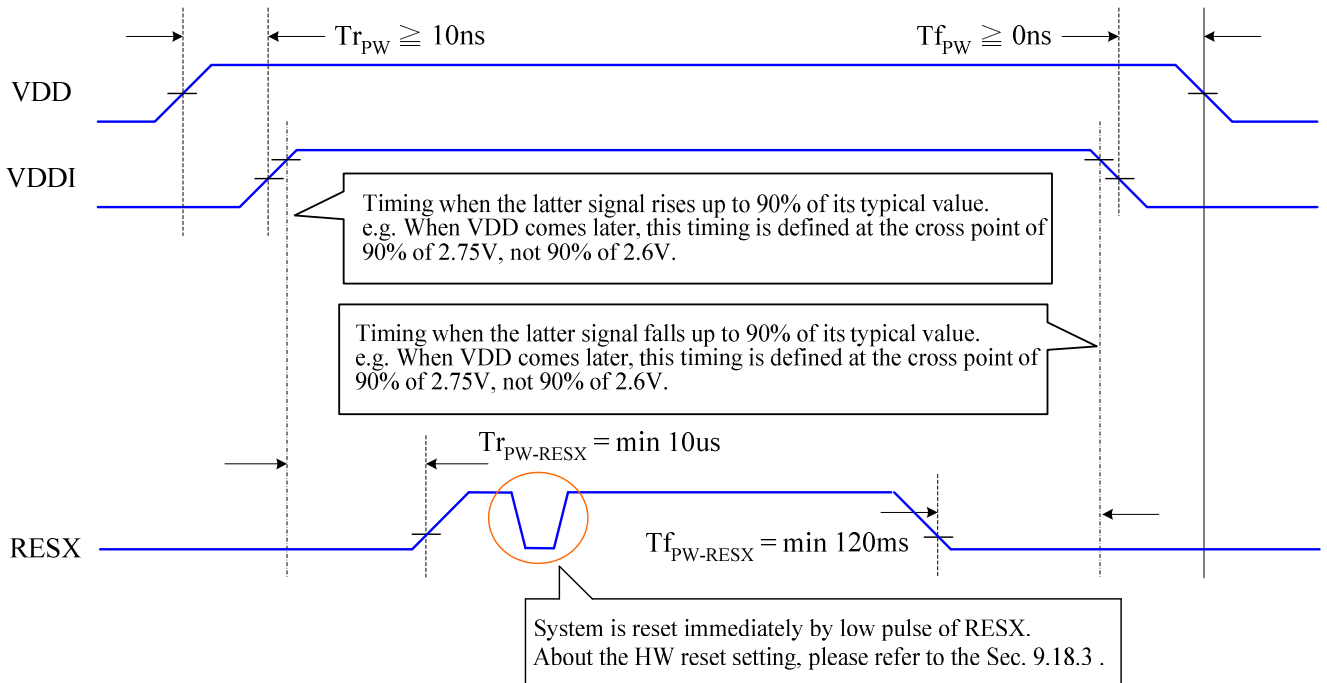


## 9.14 Preset Values

ST7713 will set preset values on our production line for each display module. Any of these preset values do not need customer's SW support.

## 9.15 Power ON/OFF Sequence

The power on/off sequence is illustrated below:



### 9.15.1 Uncontrolled Power Off

The uncontrolled power off means a situation when e.g. there is removed a battery without the controlled power off sequence. There will not be any damages for the display module or the display module will not cause any damages for the host or lines of the interface.

2. At an uncontrolled power off the display will go blank and there will not be any visible effects within a few second on the display (blank display) and remains blank until "Power On Sequence" powers it up.

## 9.16 Power Level Definition

### 9.16.1 Power Level

6 level modes are defined they are in order of Maximum Power consumption to Minimum Power Consumption:

**1. Normal Mode On (full display), Idle Mode Off, Sleep Out.**

In this mode, the display is able to show maximum 262,144 colors.

**2. Partial Mode On, Idle Mode Off, Sleep Out.**

In this mode part of the display is used with maximum 262,144 colors.

**3. Normal Mode On (full display), Idle Mode On, Sleep Out.**

In this mode, the full display area is used but with 8 colors.

**4. Partial Mode On, Idle Mode On, Sleep Out.**

In this mode, part of the display is used but with 8 colors.

**5. Sleep In Mode**

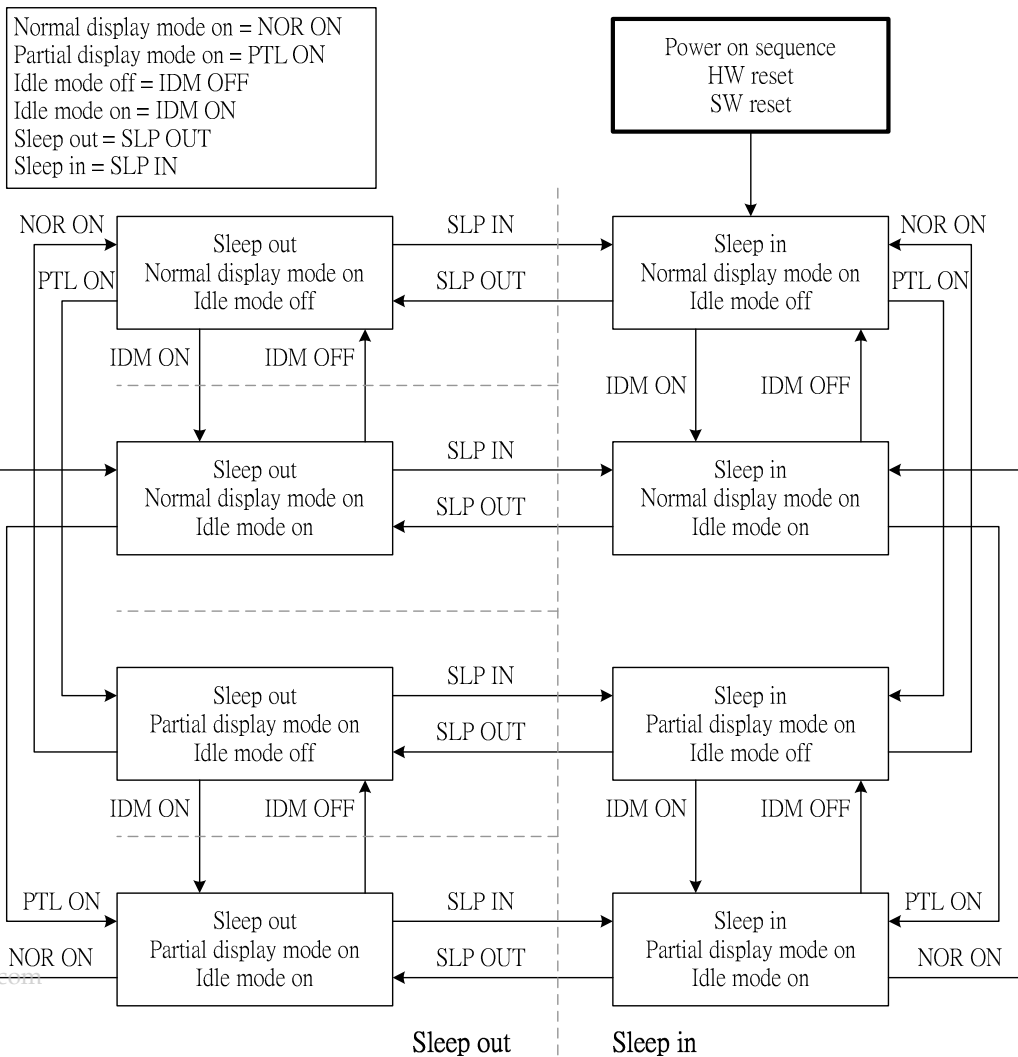
In this mode, the DC: DC converter, Internal oscillator and panel driver circuit are stopped. Only the MCU interface and memory works with VDDI power supply. Contents of the memory are safe.

**6. Power Off Mode**

In this mode, both VDD and VDDI are removed.

*Note: Transition between modes 1-5 is controllable by MCU commands. Mode 6 is entered only when both Power supplies are removed.*

### 9.16.2 Power Flow Chart



## 9.17 Reset Table

Item	After Power On	After Hardware Reset	After Software Reset
Frame memory	Random	No Change	No Change
Sleep In/Out	In	In	In
Display On/Off	Off	Off	Off
Display mode (normal/partial)	Normal	Normal	Normal
Display Inversion On/Off	Off	Off	Off
Display Idle Mode On/Off	Off	Off	Off
Column: Start Address (XS)	0000h	0000h	0000h
Column: End Address (XE)	007Fh	007Fh	0081h (129d) (when MV=0) 0081h (129d) (when MV=1)
Row: Start Address (YS)	0000h	0000h	0000h
Row: End Address (YE)	007Fh	007Fh	0081h (129d) (when MV=0) 0081h (129d) (when MV=1)
Gamma setting	GC0	GC0	GC0
RGB for 256, 4k and 65k Color Mode	See Section 9.19	See Section 9.19	No Change
Partial: Start Address (PSL)	0000h	0000h	0000h
Partial: End Address (PEL)	007Fh	007Fh	0081h
Scroll: Vertical scrolling	Off	Off	Off
Scroll: Top Fixed Area (TFA)	0000h	0000h	0000h
Scroll: Scroll Area (VSA)	0080h	0080h	0082h
Scroll: Bottom Fixed Area (BFA)	0000h	0000h	0000h
Scroll Start Address (SSA)	0000h	0000h	0000h
Tearing: On/Off	Off	Off	Off
Tearing Effect Mode (*1)	0 (Mode1)	0 (Mode1)	0 (Mode1)
Memory Data Access Control (MY/MX/MV/ML/RGB)	0/0/0/0/0	0/0/0/0/0	No Change
Interface Pixel Color Format	6 (18-Bit/Pixel)	6 (18-Bit/Pixel)	No Change
RDDPM	08h	08h	08h
RDDMADCTL	00h	00h	No Change
RDDCOLMOD	6 (18-Bit/Pixel)	6 (18-Bit/Pixel)	No Change
RDDIM	00h	00h	00h
RDDSM	00h	00h	00h
RDDSDR	00h	00h	00h
ID2	NV value	NV value	NV value
ID3	NV value	NV value	NV value

Note1. TE Mode 1 means Tearing Effect Output Line consists of V-Blanking Information only.

## 9.18 Module Input/Output Pins

### 9.18.1 Output or Bi-directional (I/O) Pins

Output or Bi-directional pins	After Power On	After Hardware Reset	After Software Reset
TE	Low	Low	Low
D7 to D0 (Output driver)	High-Z (Inactive)	High-Z (Inactive)	High-Z (Inactive)

*Note: There will be no output from D7-D0 during Power On/Off sequence, Hardware Reset and Software Reset.*

### 9.18.2 Input Pins

Input pins	During Power On Process	After Power On	After Hardware Reset	After Software Reset	During Power Off Process
RESX	See 9.15	Input valid	Input valid	Input valid	See 9.15
CSX	Input invalid	Input valid	Input valid	Input valid	Input invalid
D/CX	Input invalid	Input valid	Input valid	Input valid	Input invalid
WRX	Input invalid	Input valid	Input valid	Input valid	Input invalid
RDX	Input invalid	Input valid	Input valid	Input valid	Input invalid
D7 to D0	Input invalid	Input valid	Input valid	Input valid	Input invalid

## 9.18.3 Reset Timing

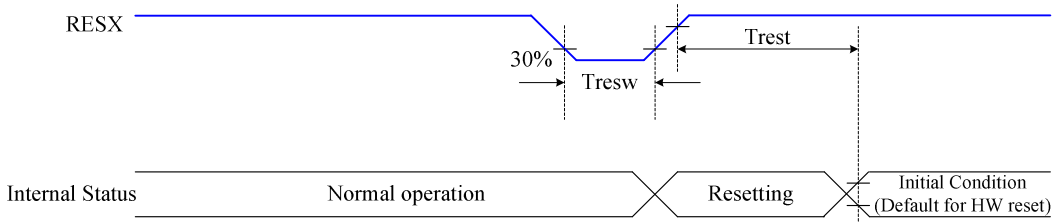


Table 9.18.3.1 Reset input timing

VSS=0V, VDDI=1.65V to 1.95V, VDD=2.6V to 2.9V, Ta = -30 to 70°C)

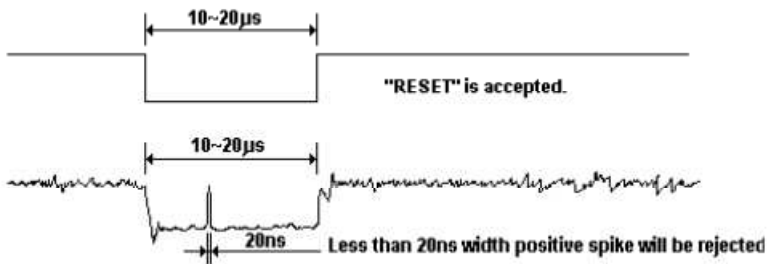
Symbol	Parameter	Related Pins	MIN	TYP	MAX	Note	Unit
$t_{RESW}$	(*1) Reset low pulse width	RESX	10	-	-	-	us
$t_{REST}$	(*2) Reset complete time	-	120	-	-	-	ms

Note 1. Spike due to an electrostatic discharge on RESX line does not cause irregular system reset according to the table below.

Note 2. It will be necessary to wait 120msec before sending next command; this is allowing time for the supply voltages and clock circuits to stabilize.

Note 3. During Reset Complete Time, ID2 and VCOMOF value in OTP will be latched to internal register during this period. This loading is done every time when there is H/W reset complete time ( $t_{REST}$ ) within 120ms after a rising edge of RESX.

Note 4. Spike Rejection also applies during a valid reset pulse as shown below:



## 9.19 Color Depth Conversion Look Up Tables

### 9.19.1 65536 Color to 262,144 Color

Color	Look Up Table Output Frame Memory Data (6-bits)	Default value after H/W Reset	RGBSET Parameter	Look Up Table Input Data
				65k Color (5-bits)
RED	R <sub>005</sub> R <sub>004</sub> R <sub>003</sub> R <sub>002</sub> R <sub>001</sub> R <sub>000</sub>	000000	1	00000
	R <sub>015</sub> R <sub>014</sub> R <sub>013</sub> R <sub>012</sub> R <sub>011</sub> R <sub>010</sub>	000010	2	00001
	R <sub>025</sub> R <sub>024</sub> R <sub>023</sub> R <sub>022</sub> R <sub>021</sub> R <sub>020</sub>	000100	3	00010
	R <sub>035</sub> R <sub>034</sub> R <sub>033</sub> R <sub>032</sub> R <sub>031</sub> R <sub>030</sub>	000110	4	00011
	R <sub>045</sub> R <sub>044</sub> R <sub>043</sub> R <sub>042</sub> R <sub>041</sub> R <sub>040</sub>	001000	5	00100
	R <sub>055</sub> R <sub>054</sub> R <sub>053</sub> R <sub>052</sub> R <sub>051</sub> R <sub>050</sub>	001010	6	00101
	R <sub>065</sub> R <sub>064</sub> R <sub>063</sub> R <sub>062</sub> R <sub>061</sub> R <sub>060</sub>	001100	7	00110
	R <sub>075</sub> R <sub>074</sub> R <sub>073</sub> R <sub>072</sub> R <sub>071</sub> R <sub>070</sub>	001110	8	00111
	R <sub>085</sub> R <sub>084</sub> R <sub>083</sub> R <sub>082</sub> R <sub>081</sub> R <sub>080</sub>	010000	9	01000
	R <sub>095</sub> R <sub>094</sub> R <sub>093</sub> R <sub>092</sub> R <sub>091</sub> R <sub>090</sub>	010010	10	01001
	R <sub>105</sub> R <sub>104</sub> R <sub>103</sub> R <sub>102</sub> R <sub>101</sub> R <sub>100</sub>	010100	11	01010
	R <sub>115</sub> R <sub>114</sub> R <sub>113</sub> R <sub>112</sub> R <sub>111</sub> R <sub>110</sub>	010110	12	01011
	R <sub>125</sub> R <sub>124</sub> R <sub>123</sub> R <sub>122</sub> R <sub>121</sub> R <sub>120</sub>	011000	13	01100
	R <sub>135</sub> R <sub>134</sub> R <sub>133</sub> R <sub>132</sub> R <sub>131</sub> R <sub>130</sub>	011010	14	01101
	R <sub>145</sub> R <sub>144</sub> R <sub>143</sub> R <sub>142</sub> R <sub>141</sub> R <sub>140</sub>	011100	15	01110
	R <sub>155</sub> R <sub>154</sub> R <sub>153</sub> R <sub>152</sub> R <sub>151</sub> R <sub>150</sub>	011110	16	01111
	R <sub>165</sub> R <sub>164</sub> R <sub>163</sub> R <sub>162</sub> R <sub>161</sub> R <sub>160</sub>	100001	17	10000
	R <sub>175</sub> R <sub>174</sub> R <sub>173</sub> R <sub>172</sub> R <sub>171</sub> R <sub>170</sub>	100011	18	10001
	R <sub>185</sub> R <sub>184</sub> R <sub>183</sub> R <sub>182</sub> R <sub>181</sub> R <sub>180</sub>	100101	19	10010
	R <sub>195</sub> R <sub>194</sub> R <sub>193</sub> R <sub>192</sub> R <sub>191</sub> R <sub>190</sub>	100111	20	10011
	R <sub>205</sub> R <sub>204</sub> R <sub>203</sub> R <sub>202</sub> R <sub>201</sub> R <sub>200</sub>	101001	21	10100
	R <sub>215</sub> R <sub>214</sub> R <sub>213</sub> R <sub>212</sub> R <sub>211</sub> R <sub>210</sub>	101011	22	10101
	R <sub>225</sub> R <sub>224</sub> R <sub>223</sub> R <sub>222</sub> R <sub>221</sub> R <sub>220</sub>	101101	23	10110
	R <sub>235</sub> R <sub>234</sub> R <sub>233</sub> R <sub>232</sub> R <sub>231</sub> R <sub>230</sub>	101111	24	10111
	R <sub>245</sub> R <sub>244</sub> R <sub>243</sub> R <sub>242</sub> R <sub>241</sub> R <sub>240</sub>	110001	25	11000
	R <sub>255</sub> R <sub>254</sub> R <sub>253</sub> R <sub>252</sub> R <sub>251</sub> R <sub>250</sub>	110011	26	11001
	R <sub>265</sub> R <sub>264</sub> R <sub>263</sub> R <sub>262</sub> R <sub>261</sub> R <sub>260</sub>	110101	27	11010
	R <sub>275</sub> R <sub>274</sub> R <sub>273</sub> R <sub>272</sub> R <sub>271</sub> R <sub>270</sub>	110111	28	11011
	R <sub>285</sub> R <sub>284</sub> R <sub>283</sub> R <sub>282</sub> R <sub>281</sub> R <sub>280</sub>	111001	29	11100
	R <sub>295</sub> R <sub>294</sub> R <sub>293</sub> R <sub>292</sub> R <sub>291</sub> R <sub>290</sub>	111011	30	11101
	R <sub>305</sub> R <sub>304</sub> R <sub>303</sub> R <sub>302</sub> R <sub>301</sub> R <sub>300</sub>	111101	31	11110
	R <sub>315</sub> R <sub>314</sub> R <sub>313</sub> R <sub>312</sub> R <sub>311</sub> R <sub>310</sub>	111111	32	11111

Color	Look Up Table Output Frame Memory Data (6-bits)	Default value after H/W Reset	RGBSET Parameter	Look Up Table Input Data
				65k Color (5-bits)
GREEN	G005 G004 G003 G002 G001 G000	000000	33	000000
	G015 G014 G013 G012 G011 G010	000001	34	000001
	G025 G024 G023 G022 G021 G020	000010	35	000010
	G035 G034 G033 G032 G031 G030	000011	36	000011
	G045 G044 G043 G042 G041 G040	000100	37	000100
	G055 G054 G053 G052 G051 G050	000101	38	000101
	G065 G064 G063 G062 G061 G060	000110	39	000110
	G075 G074 G073 G072 G071 G070	000111	40	000111
	G085 G084 G083 G082 G081 G080	001000	41	001000
	G095 G094 G093 G092 G091 G090	001001	42	001001
	G105 G104 G103 G102 G101 G100	001010	43	001010
	G115 G114 G113 G112 G111 G110	001011	44	001011
	G125 G124 G123 G122 G121 G120	001100	45	001100
	G135 G134 G133 G132 G131 G130	001101	46	001101
	G145 G144 G143 G142 G141 G140	001110	47	001110
	G155 G154 G153 G152 G151 G150	001111	48	001111
	G165 G164 G163 G162 G161 G160	010000	49	010000
	G175 G174 G173 G172 G171 G170	010001	50	010001
	G185 G184 G183 G182 G181 G180	010010	51	010010
	G195 G194 G193 G192 G191 G190	010011	52	010011
	G205 G204 G203 G202 G201 G200	010100	53	010100
	G215 G214 G213 G212 G211 G210	010101	54	010101
	G225 G224 G223 G222 G221 G220	010110	55	010110
	G235 G234 G233 G232 G231 G230	010111	56	010111
	G245 G244 G243 G242 G241 G240	011000	57	011000
	G255 G254 G253 G252 G251 G250	011001	58	011001
	G265 G264 G263 G262 G261 G260	011010	59	011010
	G275 G 274 G273 G272 G271 G270	011011	60	011011
	G285 G 284 G283 G282 G281 G280	011100	61	011100
	G295 G 294 G293 G292 G291 G290	011101	62	011101
	G305 G 304 G303 G302 G301 G300	011110	63	011110
	G315 G 314 G313 G312 G311 G310	011111	64	011111



Color	Look Up Table Output Frame Memory Data (6-bits)	Default value after H/W Reset	RGBSET Parameter	Look Up Table Input Data
				65k Color (5-bits)
GREEN	G325 G324 G323 G322 G321 G320	100000	65	100000
	G335 G334 G333 G332 G331 G330	100001	66	100001
	G345 G344 G343 G342 G341 G340	100010	67	100010
	G355 G354 G353 G352 G351 G350	100011	68	100011
	G365 G364 G363 G362 G361 G360	100100	69	100100
	G375 G374 G373 G372 G371 G370	100101	70	100101
	G385 G384 G383 G382 G381 G380	100110	71	100110
	G395 G394 G393 G392 G391 G390	100111	72	100111
	G405 G404 G403 G402 G401 G400	101000	73	101000
	G415 G414 G413 G412 G411 G410	101001	74	101001
	G425 G424 G423 G422 G421 G420	101010	75	101010
	G435 G434 G433 G432 G431 G430	101011	76	101011
	G445 G444 G443 G442 G441 G440	101100	77	101100
	G455 G454 G453 G452 G451 G450	101101	78	101101
	G465 G464 G463 G462 G461 G460	101110	79	101110
	G475 G474 G473 G472 G471 G470	101111	80	101111
	G485 G484 G483 G482 G481 G480	110000	81	110000
	G495 G494 G493 G492 G491 G490	110001	82	110001
	G505 G504 G503 G502 G501 G500	110010	83	110010
	G515 G514 G513 G512 G511 G510	110011	84	110011
	G525 G524 G523 G522 G521 G520	110100	85	110100
	G535 G534 G533 G532 G531 G530	110101	86	110101
	G545 G544 G543 G542 G541 G540	110110	87	110110
	G555 G554 G553 G552 G551 G550	110111	88	110111
	G565 G564 G563 G562 G561 G560	111000	89	111000
	G575 G574 G573 G572 G571 G570	111001	90	111001
	G585 G584 G583 G582 G581 G580	111010	91	111010
	G595 G594 G593 G592 G591 G590	111011	92	111011
	G605 G604 G603 G602 G601 G600	111100	93	111100
	G615 G614 G613 G612 G611 G610	111101	94	111101
	G625 G624 G623 G622 G621 G620	111110	95	111110
	G635 G634 G633 G632 G631 G630	111111	96	111111

# ST7713

Color	Look Up Table Output Frame Memory Data (6-bits)	Default value after H/W Reset	RGBSET Parameter	Look Up Table Input Data
				65k Color (5-bits)
BLUE	B <sub>005</sub> B <sub>004</sub> B <sub>003</sub> B <sub>002</sub> B <sub>001</sub> B <sub>000</sub>	000000	97	00000
	B <sub>015</sub> B <sub>014</sub> B <sub>013</sub> B <sub>012</sub> B <sub>011</sub> B <sub>010</sub>	000010	98	00001
	B <sub>025</sub> B <sub>024</sub> B <sub>023</sub> B <sub>022</sub> B <sub>021</sub> B <sub>020</sub>	000100	99	00010
	B <sub>035</sub> B <sub>034</sub> B <sub>033</sub> B <sub>032</sub> B <sub>031</sub> B <sub>030</sub>	000110	100	00011
	B <sub>045</sub> B <sub>044</sub> B <sub>043</sub> B <sub>042</sub> B <sub>041</sub> B <sub>040</sub>	001000	101	00100
	B <sub>055</sub> B <sub>054</sub> B <sub>053</sub> B <sub>052</sub> B <sub>051</sub> B <sub>050</sub>	001010	102	00101
	B <sub>065</sub> B <sub>064</sub> B <sub>063</sub> B <sub>062</sub> B <sub>061</sub> B <sub>060</sub>	001100	103	00110
	B <sub>075</sub> B <sub>074</sub> B <sub>073</sub> B <sub>072</sub> B <sub>071</sub> B <sub>070</sub>	001110	104	00111
	B <sub>085</sub> B <sub>084</sub> B <sub>083</sub> B <sub>082</sub> B <sub>081</sub> B <sub>080</sub>	010000	105	01000
	B <sub>095</sub> B <sub>094</sub> B <sub>093</sub> B <sub>092</sub> B <sub>091</sub> B <sub>090</sub>	010010	106	01001
	B <sub>105</sub> B <sub>104</sub> B <sub>103</sub> B <sub>102</sub> B <sub>101</sub> B <sub>100</sub>	010100	107	01010
	B <sub>115</sub> B <sub>114</sub> B <sub>113</sub> B <sub>112</sub> B <sub>111</sub> B <sub>110</sub>	010110	108	01011
	B <sub>125</sub> B <sub>124</sub> B <sub>123</sub> B <sub>122</sub> B <sub>121</sub> B <sub>120</sub>	011000	109	01100
	B <sub>135</sub> B <sub>134</sub> B <sub>133</sub> B <sub>132</sub> B <sub>131</sub> B <sub>130</sub>	011010	110	01101
	B <sub>145</sub> B <sub>144</sub> B <sub>143</sub> B <sub>142</sub> B <sub>141</sub> B <sub>140</sub>	011100	111	01110
	B <sub>155</sub> B <sub>154</sub> B <sub>153</sub> B <sub>152</sub> B <sub>151</sub> B <sub>150</sub>	011110	112	01111
	B <sub>165</sub> B <sub>164</sub> B <sub>163</sub> B <sub>162</sub> B <sub>161</sub> B <sub>160</sub>	100001	113	10000
	B <sub>175</sub> B <sub>174</sub> B <sub>173</sub> B <sub>172</sub> B <sub>171</sub> B <sub>170</sub>	100011	114	10001
	B <sub>185</sub> B <sub>184</sub> B <sub>183</sub> B <sub>182</sub> B <sub>181</sub> B <sub>180</sub>	100101	115	10010
	B <sub>195</sub> B <sub>194</sub> B <sub>193</sub> B <sub>192</sub> B <sub>191</sub> B <sub>190</sub>	100111	116	10011
	B <sub>205</sub> B <sub>204</sub> B <sub>203</sub> B <sub>202</sub> B <sub>201</sub> B <sub>200</sub>	101001	117	10100
	B <sub>215</sub> B <sub>214</sub> B <sub>213</sub> B <sub>212</sub> B <sub>211</sub> B <sub>210</sub>	101011	118	10101
	B <sub>225</sub> B <sub>224</sub> B <sub>223</sub> B <sub>222</sub> B <sub>221</sub> B <sub>220</sub>	101101	119	10110
	B <sub>235</sub> B <sub>234</sub> B <sub>233</sub> B <sub>232</sub> B <sub>231</sub> B <sub>230</sub>	101111	120	10111
	B <sub>245</sub> B <sub>244</sub> B <sub>243</sub> B <sub>242</sub> B <sub>241</sub> B <sub>240</sub>	110001	121	11000
	B <sub>255</sub> B <sub>254</sub> B <sub>253</sub> B <sub>252</sub> B <sub>251</sub> B <sub>250</sub>	110011	122	11001
	B <sub>265</sub> B <sub>264</sub> B <sub>263</sub> B <sub>262</sub> B <sub>261</sub> B <sub>260</sub>	110101	123	11010
	B <sub>275</sub> B <sub>274</sub> B <sub>273</sub> B <sub>272</sub> B <sub>271</sub> B <sub>270</sub>	110111	124	11011
B <sub>285</sub> B <sub>284</sub> B <sub>283</sub> B <sub>282</sub> B <sub>281</sub> B <sub>280</sub>	111001	125	11100	
B <sub>295</sub> B <sub>294</sub> B <sub>293</sub> B <sub>292</sub> B <sub>291</sub> B <sub>290</sub>	111011	126	11101	
B <sub>305</sub> B <sub>304</sub> B <sub>303</sub> B <sub>302</sub> B <sub>301</sub> B <sub>300</sub>	111101	127	11110	
B <sub>315</sub> B <sub>314</sub> B <sub>313</sub> B <sub>312</sub> B <sub>311</sub> B <sub>310</sub>	111111	128	11111	

## 9.19.1 4096 Color to 262,144 Color

Color	Look Up Table Output Frame Memory Data (6-bits)	Default value after H/W Reset	RGBSET Parameter	Look Up Table Input Data
				4k Color (4-bits)
RED	R <sub>005</sub> R <sub>004</sub> R <sub>003</sub> R <sub>002</sub> R <sub>001</sub> R <sub>000</sub>	000000	1	0000
	R <sub>015</sub> R <sub>014</sub> R <sub>013</sub> R <sub>012</sub> R <sub>011</sub> R <sub>010</sub>	000100	2	0001
	R <sub>025</sub> R <sub>024</sub> R <sub>023</sub> R <sub>022</sub> R <sub>021</sub> R <sub>020</sub>	001000	3	0010
	R <sub>035</sub> R <sub>034</sub> R <sub>033</sub> R <sub>032</sub> R <sub>031</sub> R <sub>030</sub>	001100	4	0011
	R <sub>045</sub> R <sub>044</sub> R <sub>043</sub> R <sub>042</sub> R <sub>041</sub> R <sub>040</sub>	010001	5	0100
	R <sub>055</sub> R <sub>054</sub> R <sub>053</sub> R <sub>052</sub> R <sub>051</sub> R <sub>050</sub>	010101	6	0101
	R <sub>065</sub> R <sub>064</sub> R <sub>063</sub> R <sub>062</sub> R <sub>061</sub> R <sub>060</sub>	011001	7	0110
	R <sub>075</sub> R <sub>074</sub> R <sub>073</sub> R <sub>072</sub> R <sub>071</sub> R <sub>070</sub>	011101	8	0111
	R <sub>085</sub> R <sub>084</sub> R <sub>083</sub> R <sub>082</sub> R <sub>081</sub> R <sub>080</sub>	100010	9	1000
	R <sub>095</sub> R <sub>094</sub> R <sub>093</sub> R <sub>092</sub> R <sub>091</sub> R <sub>090</sub>	100110	10	1001
	R <sub>105</sub> R <sub>104</sub> R <sub>103</sub> R <sub>102</sub> R <sub>101</sub> R <sub>100</sub>	101010	11	1010
	R <sub>115</sub> R <sub>114</sub> R <sub>113</sub> R <sub>112</sub> R <sub>111</sub> R <sub>110</sub>	101110	12	1011
	R <sub>125</sub> R <sub>124</sub> R <sub>123</sub> R <sub>122</sub> R <sub>121</sub> R <sub>120</sub>	110011	13	1100
	R <sub>135</sub> R <sub>134</sub> R <sub>133</sub> R <sub>132</sub> R <sub>131</sub> R <sub>130</sub>	110111	14	1101
	R <sub>145</sub> R <sub>144</sub> R <sub>143</sub> R <sub>142</sub> R <sub>141</sub> R <sub>140</sub>	111011	15	1110
	R <sub>155</sub> R <sub>154</sub> R <sub>153</sub> R <sub>152</sub> R <sub>151</sub> R <sub>150</sub>	111111	16	1111
	R <sub>165</sub> R <sub>164</sub> R <sub>163</sub> R <sub>162</sub> R <sub>161</sub> R <sub>160</sub>	-----	17	Not used
R <sub>315</sub> R <sub>314</sub> R <sub>313</sub> R <sub>312</sub> R <sub>311</sub> R <sub>310</sub>	-----	32		

Color	Look Up Table Output Frame Memory Data (6-bits)	Default value after H/W Reset	RGBSET Parameter	Look Up Table Input Data
				4k Color (4-bits)
GREEN	G <sub>005</sub> G <sub>004</sub> G <sub>003</sub> G <sub>002</sub> G <sub>001</sub> G <sub>000</sub>	000000	33	0000
	G <sub>015</sub> G <sub>014</sub> G <sub>013</sub> G <sub>012</sub> G <sub>011</sub> G <sub>010</sub>	000100	34	0001
	G <sub>025</sub> G <sub>024</sub> G <sub>023</sub> G <sub>022</sub> G <sub>021</sub> G <sub>020</sub>	001000	35	0010
	G <sub>035</sub> G <sub>034</sub> G <sub>033</sub> G <sub>032</sub> G <sub>031</sub> G <sub>030</sub>	001100	36	0011
	G <sub>045</sub> G <sub>044</sub> G <sub>043</sub> G <sub>042</sub> G <sub>041</sub> G <sub>040</sub>	010001	37	0100
	G <sub>055</sub> G <sub>054</sub> G <sub>053</sub> G <sub>052</sub> G <sub>051</sub> G <sub>050</sub>	010101	38	0101
	G <sub>065</sub> G <sub>064</sub> G <sub>063</sub> G <sub>062</sub> G <sub>061</sub> G <sub>060</sub>	011001	39	0110
	G <sub>075</sub> G <sub>074</sub> G <sub>073</sub> G <sub>072</sub> G <sub>071</sub> G <sub>070</sub>	011101	40	0111
	G <sub>085</sub> G <sub>084</sub> G <sub>083</sub> G <sub>082</sub> G <sub>081</sub> G <sub>080</sub>	100010	41	1000
	G <sub>095</sub> G <sub>094</sub> G <sub>093</sub> G <sub>092</sub> G <sub>091</sub> G <sub>090</sub>	100110	42	1001
	G <sub>105</sub> G <sub>104</sub> G <sub>103</sub> G <sub>102</sub> G <sub>101</sub> G <sub>100</sub>	101010	43	1010
	G <sub>115</sub> G <sub>114</sub> G <sub>113</sub> G <sub>112</sub> G <sub>111</sub> G <sub>110</sub>	101110	44	1011
	G <sub>125</sub> G <sub>124</sub> G <sub>123</sub> G <sub>122</sub> G <sub>121</sub> G <sub>120</sub>	110011	45	1100
	G <sub>135</sub> G <sub>134</sub> G <sub>133</sub> G <sub>132</sub> G <sub>131</sub> G <sub>130</sub>	110111	46	1101
	G <sub>145</sub> G <sub>144</sub> G <sub>143</sub> G <sub>142</sub> G <sub>141</sub> G <sub>140</sub>	111011	47	1110
	G <sub>155</sub> G <sub>154</sub> G <sub>153</sub> G <sub>152</sub> G <sub>151</sub> G <sub>150</sub>	111111	48	1111
	G <sub>165</sub> G <sub>164</sub> G <sub>163</sub> G <sub>162</sub> G <sub>161</sub> G <sub>160</sub>	-----	49	Not used
G <sub>635</sub> G <sub>634</sub> G <sub>633</sub> G <sub>632</sub> G <sub>631</sub> G <sub>630</sub>	-----	96		

# ST7713

Color	Look Up Table Output Frame Memory Data (6-bits)	Default value after H/W Reset	RGBSET Parameter	Look Up Table Input Data
				4k Color (4-bits)
BLUE	B <sub>005</sub> B <sub>004</sub> B <sub>003</sub> B <sub>002</sub> B <sub>001</sub> B <sub>000</sub>	000000	97	0000
	B <sub>015</sub> B <sub>014</sub> B <sub>013</sub> B <sub>012</sub> B <sub>011</sub> B <sub>010</sub>	000100	98	0001
	B <sub>025</sub> B <sub>024</sub> B <sub>023</sub> B <sub>022</sub> B <sub>021</sub> B <sub>020</sub>	001000	99	0010
	B <sub>035</sub> B <sub>034</sub> B <sub>033</sub> B <sub>032</sub> B <sub>031</sub> B <sub>030</sub>	001100	100	0011
	B <sub>045</sub> B <sub>044</sub> B <sub>043</sub> B <sub>042</sub> B <sub>041</sub> B <sub>040</sub>	010001	101	0100
	B <sub>055</sub> B <sub>054</sub> B <sub>053</sub> B <sub>052</sub> B <sub>051</sub> B <sub>050</sub>	010101	102	0101
	B <sub>065</sub> B <sub>064</sub> B <sub>063</sub> B <sub>062</sub> B <sub>061</sub> B <sub>060</sub>	011001	103	0110
	B <sub>075</sub> B <sub>074</sub> B <sub>073</sub> B <sub>072</sub> B <sub>071</sub> B <sub>070</sub>	011101	104	0111
	B <sub>085</sub> B <sub>084</sub> B <sub>083</sub> B <sub>082</sub> B <sub>081</sub> B <sub>080</sub>	100010	105	1000
	B <sub>095</sub> B <sub>094</sub> B <sub>093</sub> B <sub>092</sub> B <sub>091</sub> B <sub>090</sub>	100110	106	1001
	B <sub>105</sub> B <sub>104</sub> B <sub>103</sub> B <sub>102</sub> B <sub>101</sub> B <sub>100</sub>	101010	107	1010
	B <sub>115</sub> B <sub>114</sub> B <sub>113</sub> B <sub>112</sub> B <sub>111</sub> B <sub>110</sub>	101110	108	1011
	B <sub>125</sub> B <sub>124</sub> B <sub>123</sub> B <sub>122</sub> B <sub>121</sub> B <sub>120</sub>	110011	109	1100
	B <sub>135</sub> B <sub>134</sub> B <sub>133</sub> B <sub>132</sub> B <sub>131</sub> B <sub>130</sub>	110111	110	1101
	B <sub>145</sub> B <sub>144</sub> B <sub>143</sub> B <sub>142</sub> B <sub>141</sub> B <sub>140</sub>	111011	111	1110
	B <sub>155</sub> B <sub>154</sub> B <sub>153</sub> B <sub>152</sub> B <sub>151</sub> B <sub>150</sub>	111111	112	1111
	B <sub>165</sub> B <sub>164</sub> B <sub>163</sub> B <sub>162</sub> B <sub>161</sub> B <sub>160</sub>	-----	113	Not used
B <sub>315</sub> B <sub>314</sub> B <sub>313</sub> B <sub>312</sub> B <sub>311</sub> B <sub>310</sub>	-----	128		

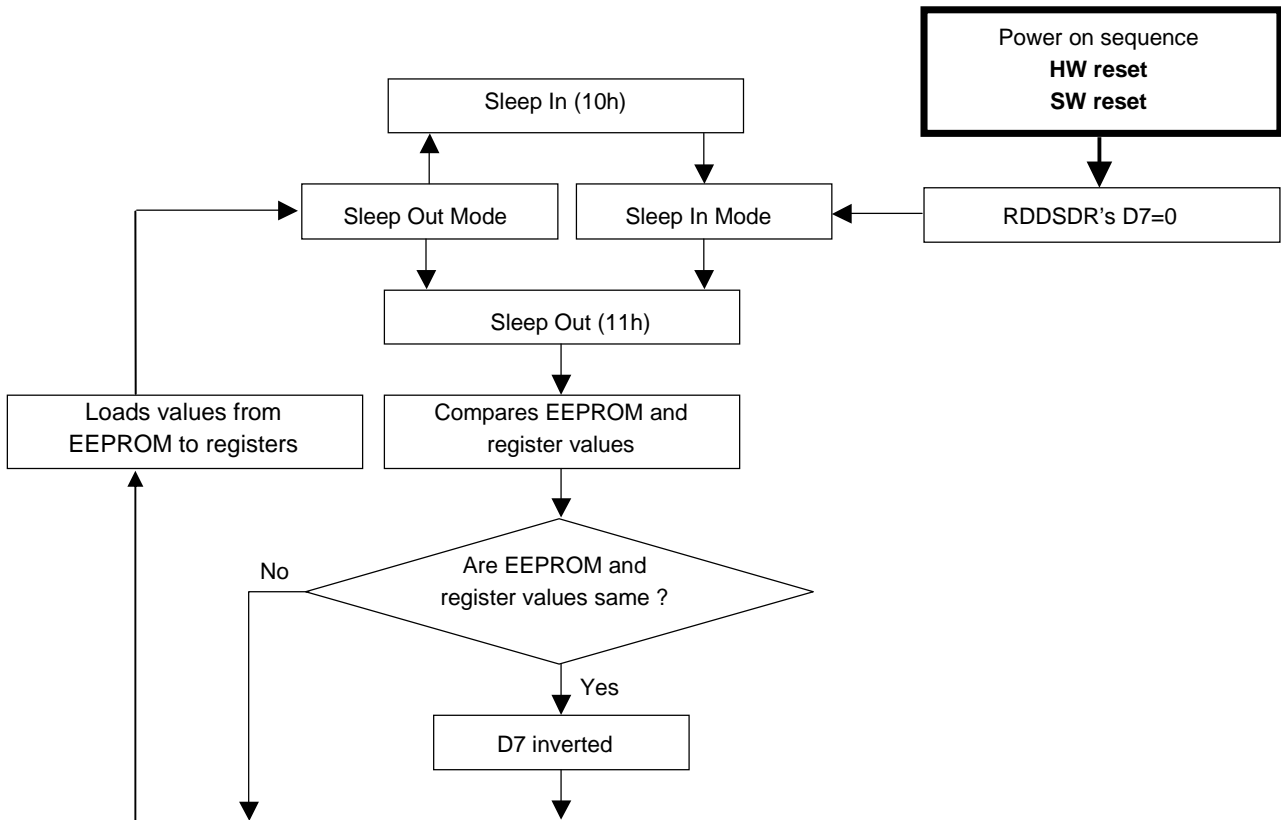
## 9.20 Sleep Out-Command and Self-Diagnostic Functions of the Display Module

### 9.20.1 Register Loading Detection

Sleep Out-command (See section 10.1.12 "Sleep Out (11h)") is a trigger for an internal function of the display module, which indicates, if the display module loading function of factory default values from EEPROM (or similar device) to registers of the display controller is working properly.

There are compared factory values of the EEPROM and register values of the display controller by the display controller. If those both values (EEPROM and register values) are same, there is inverted (=increased by 1) a bit, which is defined in command 10.1.10 "Read Display Self-Diagnostic Result (0Fh)" (=RDDSDR) (The used bit of this command is D7). If those both values are not same, this bit (D7) is not inverted (= increased by 1).

The flow chart for this internal function is following:



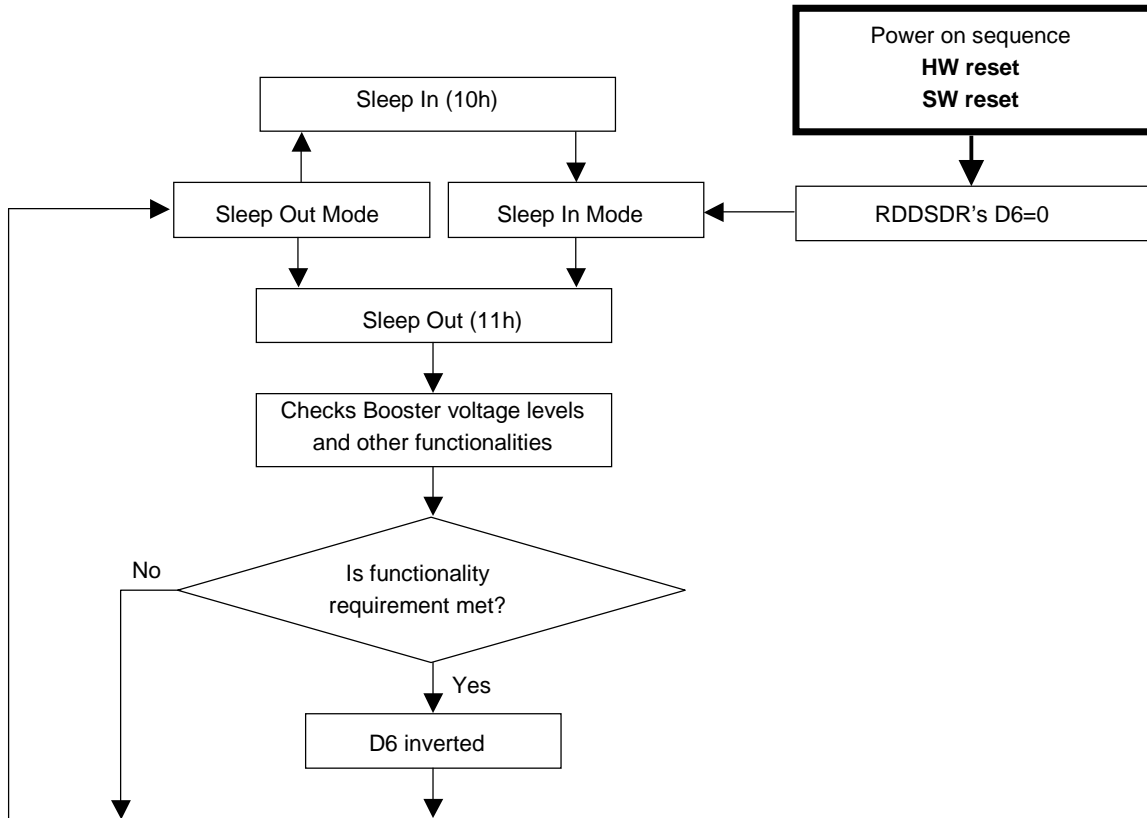
*Note: There is not compared and loaded register values, which can be changed by user (00h to AFh and DAh to DDh), by the display module.*

## 9.20.2 Functionality Detection

Sleep Out-command (See section 10.1.12 "Sleep Out (11h)") is a trigger for an internal function of the display module, which indicates, if the display module is still running and meets functionality requirements.

The internal function (= the display controller) is comparing, if the display module is still meeting functionality requirements (only Booster voltage level). If functionality requirement is met, there is inverted (= increased by 1) a bit, which defined in command 10.1.10 "Read Display Self- Diagnostic Result (0Fh)" (= RDDSDR) (The used bit of this command is D6). If functionality requirement is not same, this bit (D6) is not inverted (= increased by 1).

The flow chart for this internal function is following:



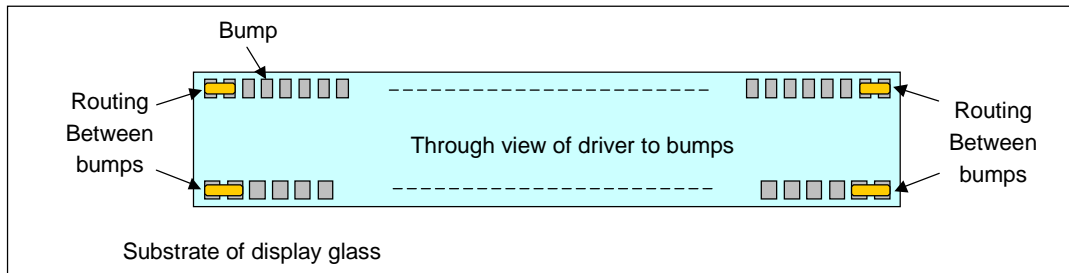
*Note: There is needed 120msec after Sleep Out -command, when there is changing from Sleep In -mode to Sleep Out -mode, before there is possible to check if functionality requirements are met and a value of RDDSDR's D6 is valid. Otherwise, there is 120msec delay for D6's value, when Sleep Out -command is sent in Sleep Out -mode.*

## 9.20.3 Chip Attachment Detection

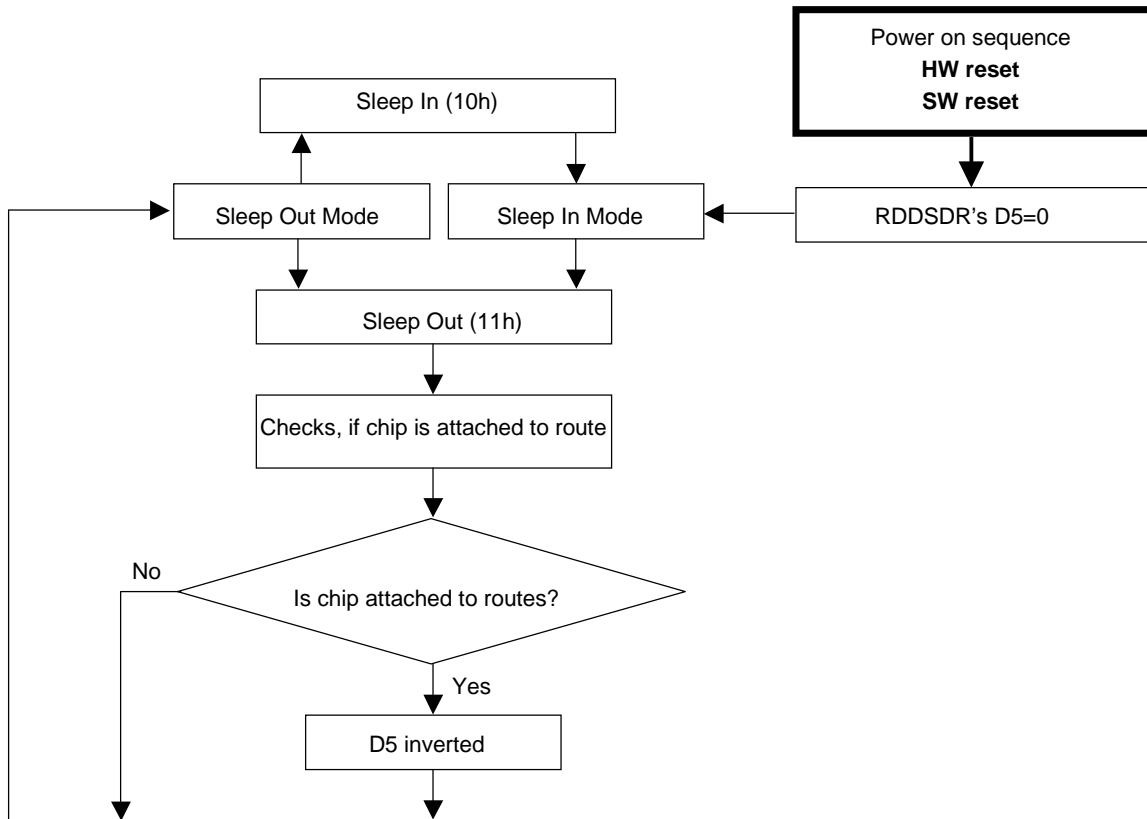
Sleep Out-command (See section 10.1.12 “Sleep Out (11h)”) is a trigger for an internal function of the display module, which indicates, if a chip or chips (e.g. driver, etc.) of the display module is/are attached to the circuit route of a flex foil or display glass ITO.

There is inverted (= increased by 1) a bit, which is defined in command 10.1.10 “Read Display Self- Diagnostic Result (0Fh)” (= RDDSDR) (The used bit of this command is D5), if the chip or chips is/are attached to the circuit route of the flex or display glass. If this chip is or those chips are not attached to the circuit route of the flex or display glass, this bit (D5) is not inverted (= increased by 1).

The following figure is for reference purposes; how this chip attachment can be implemented e.g. there are connected together 2 bumps via route of ITO or the flex foil on 4 corners of the driver (chip).



The flow chart for this internal function is following:

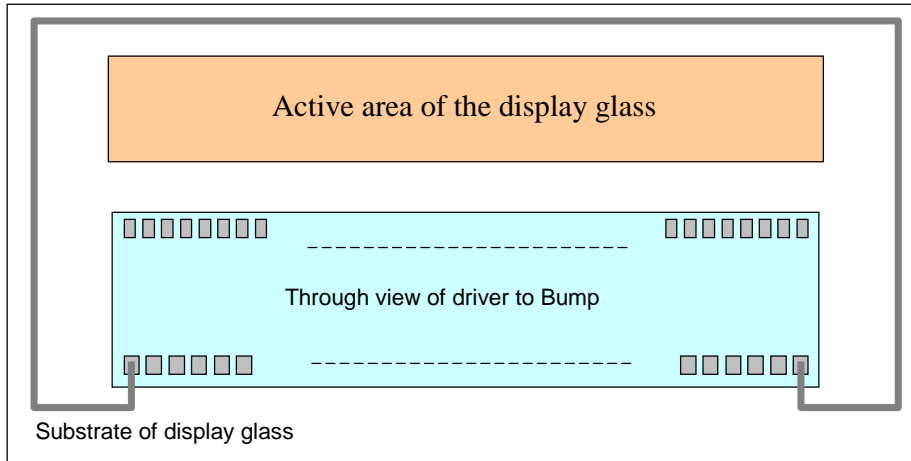


## 9.20.4 Display Glass Break Detection

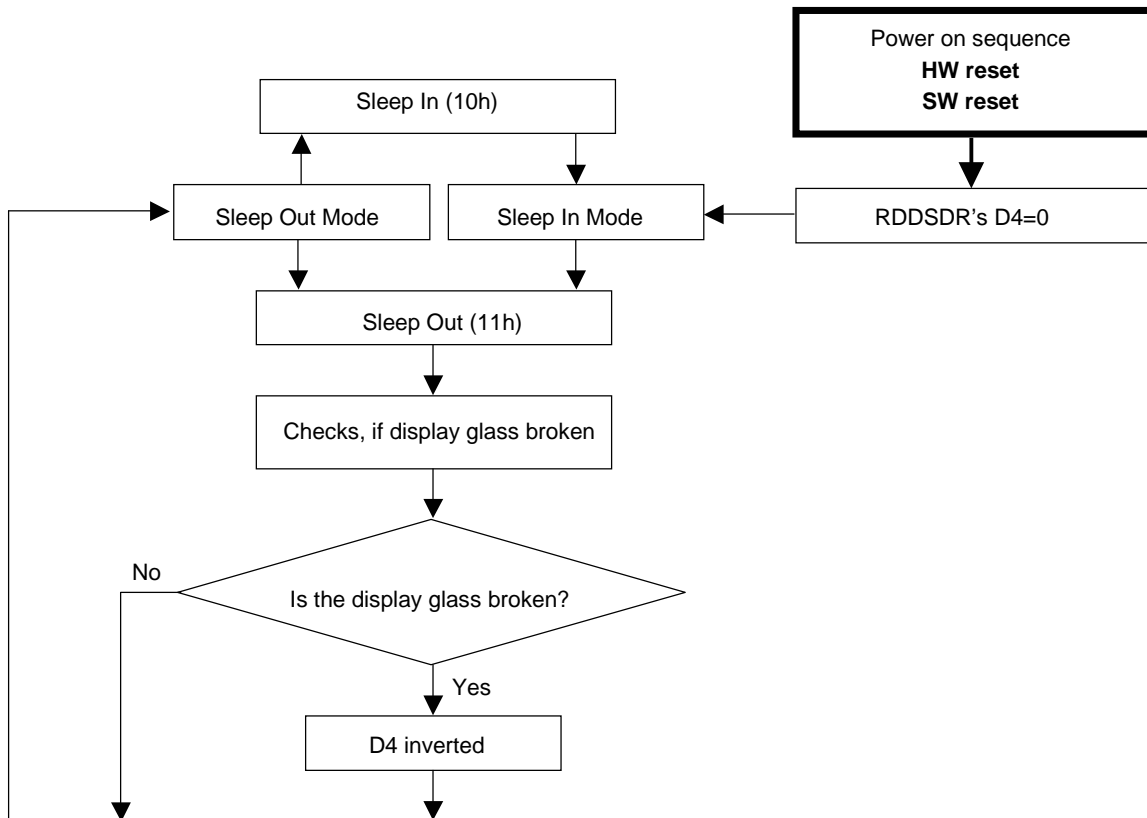
Sleep Out-command (See section 10.1.12 “Sleep Out (11h)”) is a trigger for an internal function of the display module, which indicates, if the display glass of the display module is broken or not.

There is inverted (= increased by 1) a bit, which is defined in command 10.1.10 “Read Display Self-Diagnostic Result (0Fh)” (= RDDSDR) (The used bit of this command is D4), if the display glass is not broken. If this display glass is broken, this bit (D4) is not inverted (= increased by 1).

The following figure is a reference, how this glass break detection can be implemented e.g. there is connected together 2 bumps via route of ITO. This route of ITO is the nearest route of the edge of the display glass.



The flow chart for this internal function is following:





## 9.21 External Light Source

The operation of the module can meet customer's Environmental reliability requirements.

## 9.22 Oscillator

The chip has on-chip oscillator that does not require external components. This oscillator output signal is used for system clock generation for internal display operation.

## 9.23 System Clock Generator

The timing generator produces the various signals to driver the internal circuitry. Internal chip operation is not affected by operations on the data bus.

## 9.24 Instruction Decoder and Register

The instruction decoder identifies command words arriving at the interface and routes the following data bytes to their destination. The command set can be found in "Command" section.

## 9.25 Source Driver

The source driver block includes 132x3 source outputs (S1 to S396), which should be connected directly to the TFT-LCD. The source output signals are generated in the data processing block after the data is read out of the RAM and latched, which represent the simulatance selected rows.

## 9.26 Gate Driver

The gate driver block includes 132 channel gate output (G1 to G132) which should be connected directly to the TFT-LCD.

## 10. Command

### 10.1 System function Command List and Description

Table 10.1.1 System Function command List (1)

Instruction	Refer	D/CX	WRX	RDX	D17-8	D7	D6	D5	D4	D3	D2	D1	D0	(Hex)	Function
NOP	10.1.1	0	↑	1	-	0	0	0	0	0	0	0	0	(00h)	No Operation
SWRESET	10.1.2	0	↑	1	-	0	0	0	0	0	0	0	1	(01h)	Software reset
RDDID	10.1.3	0	↑	1	-	0	0	0	0	0	1	0	0	(04h)	Read Display ID
		1	1	↑	-	-	-	-	-	-	-	-	-	-	Dummy read
		1	1	↑	-	ID17	ID16	ID15	ID14	ID13	ID12	ID11	ID10	-	ID1 read
		1	1	↑	-	1	ID26	ID25	ID24	ID23	ID22	ID21	ID20	-	ID2 read
		1	1	↑	-	ID37	ID36	ID35	ID34	ID33	ID32	ID31	ID30	-	ID3 read
RDDST	10.1.4	0	↑	1	-	0	0	0	0	1	0	0	1	(09h)	Read Display Status
		1	1	↑	-	-	-	-	-	-	-	-	-	-	Dummy read
		1	1	↑	-	BSTON	MY	MX	MV	ML	RGB	-	ST24	-	-
		1	1	↑	-	ST23	IFPF2	IFPF1	IFPF0	IDMON	PTLON	SLOUT	NORON	-	-
		1	1	↑	-	VSSON	ST14	INVON	ST21	ST11	DISON	TEON	GCS2	-	-
1	1	↑	-	GCS1	GCS0	TELON	HSON	VSON	PCKON	DEON	ST0	-	-		
RDDPM	10.1.5	0	↑	1	-	0	0	0	0	1	0	1	0	(0Ah)	Read Display Power Mode
		1	1	↑	-	-	-	-	-	-	-	-	-	-	Dummy read
		1	1	↑	-	BSTON	IDMON	PTLON	SLPOUT	NORON	DISON	-	-	-	-
RDD MADCTL	10.1.6	0	↑	1	-	0	0	0	0	1	0	1	1	(0Bh)	Read Display MADCTL
		1	1	↑	-	-	-	-	-	-	-	-	-	-	Dummy read
		1	1	↑	-	MY	MX	MV	ML	RGB	-	-	-	-	-
RDD COLMOD	10.1.7	0	↑	1	-	0	0	0	0	1	1	0	0	(0Ch)	Read Display Pixel Format
		1	1	↑	-	-	-	-	-	-	-	-	-	-	Dummy read
		1	1	↑	-	VIPF3	VIPF2	VIPF1	VIP0	-	IFPF2	IFPF1	IFPF0	-	-
RDDIM	10.1.8	0	↑	1	-	0	0	0	0	1	1	0	1	(0Dh)	Read Display Image Mode
		1	1	↑	-	-	-	-	-	-	-	-	-	-	Dummy read
		1	1	↑	-	VSSON	D6	INVON	-	-	GCS2	GCS1	GCS0	-	-
RDDSM	10.1.9	0	↑	1	-	0	0	0	0	1	1	1	0	(0Eh)	Read Display Signal Mode
		1	1	↑	-	-	-	-	-	-	-	-	-	-	Dummy read
		1	1	↑	-	TEON	TELON	HSON	VSON	PCKON	DEON	-	-	-	-
RDDSDR	10.1.10	0	↑	1	-	0	0	0	0	1	1	1	1	(0Fh)	Read Display Self-diagnostic result
		1	1	↑	-	-	-	-	-	-	-	-	-	-	Dummy read
		1	1	↑	-	RELD	FUND	ATTD	BRD	-	-	-	-	-	-

“-”: Don't care

# ST7713

Table 10.1.2 System Function command List (2)

Instruction	Refer	D/CX	WRX	RDX	D17-8	D7	D6	D5	D4	D3	D2	D1	D0	(Hex)	Function
SLPIN	10.1.11	0	↑	1	-	0	0	0	1	0	0	0	0	(10h)	Sleep in & booster off
SLPOUT	10.1.12	0	↑	1	-	0	0	0	1	0	0	0	1	(11h)	Sleep out & booster on
PTLON	10.1.13	0	↑	1	-	0	0	0	1	0	0	1	0	(12h)	Partial mode on
NORON	10.1.14	0	↑	1	-	0	0	0	1	0	0	1	1	(13h)	Partial off (Normal)
INVOFF	10.1.15	0	↑	1	-	0	0	1	0	0	0	0	0	(20h)	Display inversion off (normal)
INVON	10.1.16	0	↑	1	-	0	0	1	0	0	0	0	1	(21h)	Display inversion on
GAMSET	10.1.17	0	↑	1	-	0	0	1	0	0	1	1	0	(26h)	Gamma curve select
		1	↑	1	-	-	-	-	-	GC3	GC2	GC1	GC0		-
DISPOFF	10.1.18	0	↑	1	-	0	0	1	0	1	0	0	0	(28h)	Display off
DISPON	10.1.19	0	↑	1	-	0	0	1	0	1	0	0	1	(29h)	Display on
CASET	10.1.20	0	↑	1	-	0	0	1	0	1	0	1	0	(2Ah)	Column address set
		1	↑	1	-	-	-	-	-	-	-	-	-		X address start: $0 \leq S \leq X$
		1	↑	1	-	XS7	XS6	XS5	XS4	XS3	XS2	XS1	XS0		
		1	↑	1	-	XE7	XE6	XE5	XE4	XE3	XE2	XE1	XE0		X address end: $XS \leq XE \leq X$
RASET	10.1.21	0	↑	1	-	0	0	1	0	1	0	1	1	(2Bh)	Row address set
		1	↑	1	-	-	-	-	-	-	-	-	-		Y address start: $0 \leq YS \leq Y$
		1	↑	1	-	YS7	YS6	YS5	YS4	YS3	YS2	YS1	YS0		
		1	↑	1	-	YE7	YE6	YE5	YE4	YE3	YE2	YE1	YE0		Y address end: $S \leq YE \leq Y$
RAMWR	10.1.22	0	↑	1	-	0	0	1	0	1	1	0	0	(2Ch)	Memory write
		1	↑	1	-	D7	D6	D5	D4	D3	D2	D1	D0		Write data
RAMRD	10.1.23	0	↑	1	-	0	0	1	0	1	1	1	0	(2Eh)	Memory read
		1	1	↑	-	-	-	-	-	-	-	-	-		Dummy read
		1	1	↑	-	D7	D6	D5	D4	D3	D2	D1	D0		Read data

"-": Don't care

Table 10.1.3 System Function command List (3)

Instruction	Refer	D/CX	WRX	RDX	D17-8	D7	D6	D5	D4	D3	D2	D1	D0	(Hex)	Function
PTLAR	10.1.25	0	↑	1	-	0	0	1	1	0	0	0	0	(30h)	Partial start/end address set
		1	↑	1	-	-	-	-	-	-	-	-	-		Partial start address (0,1,2, ..P)
		1	↑	1	-	PSL7	PSL6	PSL5	PSL4	PSL3	PSL2	PSL1	PSL0		
		1	↑	1	-	PEL7	PEL6	PEL5	PEL4	PEL3	PEL2	PEL1	PEL0		Partial end address (0,1,2, ..., P)
SCRLAR	10.1.26	0	↑	1	-	0	0	1	1	0	0	1	1	(33h)	Scroll area set
		1	↑	1	-	-	-	-	-	-	-	-	-		Top fixed area (0,1,2, ..., S)
		1	↑	1	-	TFA7	TFA6	TFA5	TFA4	TFA3	TFA2	TFA1	TFA0		
		1	↑	1	-	VSA7	VSA6	VSA5	VSA4	VSA3	VSA2	VSA1	VSA0		Vertical scroll area (0,1,2, ..., S)
		1	↑	1	-	-	-	-	-	-	-	-	-		
		1	↑	1	-	BFA7	BFA6	BFA5	BFA4	BFA3	BFA2	BFA1	BFA0		Bottom fixed area (0,1,2, ..., S)
TEOFF	10.1.27	0	↑	1	-	0	0	1	1	0	1	0	0	(34h)	Tearing effect line off
TEON	10.1.28	0	↑	1	-	0	0	1	1	0	1	0	1	(35h)	Tearing effect mode set & on
		1	↑	1	-	-	-	-	-	-	-	-	TELOM		Mode1: TELOM="0" Mode2: TELOM="1"
MADCTL	10.1.29	0	↑	1	-	0	0	1	1	0	1	1	0	(36h)	Memory data access control
		1	↑	1	-	MY	MX	MV	ML	RGB	-	-	-		-
VSCSAD	10.1.30	0	↑	1	-	0	0	1	1	0	1	1	1	(37h)	Scroll start address of RAM
		1	↑	1	-	-	-	-	-	-	-	-	-		SSA = 0, 1, 2, ..., 131
		1	↑	1	-	SSA7	SSA6	SSA5	SSA4	SSA3	SSA2	SSA1	SSA0		
IDMOFF	10.1.31	0	↑	1	-	0	0	1	1	1	0	0	0	(38h)	Idle mode off
IDMON	10.1.32	0	↑	1	-	0	0	1	1	1	0	0	1	(39h)	Idle mode on
COLMOD	10.1.33	0	↑	1	-	0	0	1	1	1	0	1	0	(3Ah)	Interface pixel format
		1	↑	1	-	VIPF3	VIPF2	VIPF1	VIPF0	-	IFPF2	IFPF1	IFPF0		Interface format
RDID1	10.1.34	0	↑	1	-	1	1	0	1	1	0	1	0	(DAh)	Read ID1
		1	1	↑	-	-	-	-	-	-	-	-	-		Dummy read
		1	1	↑	-	ID17	ID16	ID15	ID14	ID13	ID12	ID11	ID10		Read parameter
RDID2	10.1.35	0	↑	1	-	1	1	0	1	1	0	1	1	(DBh)	Read ID2
		1	1	↑	-	-	-	-	-	-	-	-	-		Dummy read
		1	1	↑	-	1	ID26	ID25	ID24	ID23	ID22	ID21	ID20		Read parameter
RDID3	10.1.36	0	↑	1	-	1	1	0	1	1	1	0	0	(DCh)	Read ID3
		1	1	↑	-	-	-	-	-	-	-	-	-		Dummy read
		1	1	↑	-	ID37	ID36	ID35	ID34	ID33	ID32	ID31	ID30		Read parameter

“-”: Don't care

Note 1: After the H/W reset by RESX pin or S/W reset by SWRESET command, each internal register becomes default state (Refer "RESET TABLE" section)

Note 2: Undefined commands are treated as NOP (00 h) command.

Note 3: B0 to D9 and DA to F are for factory use of driver supplier.

Note 4: Commands 10h, 12h, 13h, 20h, 21h, 26h, 28h, 29h, 30h, 33h, 36h (ML parameter only), 37h, 38h and 39h are updated during V-sync when Module is in Sleep Out Mode to avoid abnormal visual effects. During Sleep In mode, these commands are updated immediately. Read status (09h), Read Display Power Mode (0Ah), Read Display MADCTL (0Bh), Read Display Pixel Format (0Ch), Read Display Image Mode (0Dh), Read Display Signal Mode (0Eh) and Read Display Self Diagnostic Result (0Fh) of these commands are updated immediately both in Sleep In mode and Sleep Out mode.

## 10.2 Panel Function Command List and Description

Table 10.2.1 Panel Function Command List (1)

Instruction	Refer	D/CX	WRX	RDX	D17-8	D7	D6	D5	D4	D3	D2	D1	D0	(Hex)	Function
RGBCTR	10.2.1	0	↑	1	-	1	0	1	1	0	0	0	0	(B0h)	Set RGB signal control
		1	↑	1	-	0	0	DISSW	ICM	DP	EP	HSP	VSP		ICM: RGB data access select DW RGB interface bus width set DP, HSP, VSP: PCLK, HS, VS polarity set
FRMCTR1	10.2.2	0	↑	1	-	1	0	1	1	0	0	0	1	(B1h)	In normal mode (Full colors)
		1	↑	1	-					RTNA3	RTNA2	RTNA1	RTNA0		RTNA set 1-line period
		1	↑	1	-					FPA3	FPA2	FPA1	FPA0		FPA: front porch
		1	↑	1	-					BPA3	BPA2	BPA1	BPA0		BPA: back porch
FRMCTR2	10.2.3	0	↑	1	-	1	0	1	1	0	0	1	0	(B2h)	In Idle mode (8-colors)
		1	↑	1	-					RTNB3	RTNB2	RTNB1	RTNB0		RTNB: set 1-line period
		1	↑	1	-					FPB3	FPB2	FPB1	FPB0		FPB: front porch
		1	↑	1	-					BPB3	BPB2	BPB1	BPB0		BPB: back porch
FRMCTR3	10.2.4	0	↑	1	-	1	0	1	1	0	0	1	1	(B3h)	In partial mode + Full colors
		1	↑	1	-					RTNC3	RTNC2	RTNC1	RTNC0		RTNC,RTND: set 1-line period FPC,FPD: front porch BPC,BPD: back porch
		1	↑	1	-					FPC3	FPC2	FPC1	FPC0		
		1	↑	1	-					BPC3	BPC2	BPC1	BPC0		
		1	↑	1	-					RTND3	RTND2	RTND1	RTND0		
		1	↑	1	-					FPD3	FPD2	FPD1	FPD0		
		1	↑	1	-					BPD3	BPD2	BPD1	BPD0		
INVCTR	10.2.5	0	↑	1	-	1	0	1	1	0	1	0	0	(B4h)	
		1	↑	1	-	0	0	0	0	0	NLA	NLB	NLC		NLA,NLB,NLC set inversion
RGB PRCTR	10.2.6	0	↑	1	-	1	0	1	1	0	1	0	1	(B5h)	RGB I/F Blanking porch setting
		1	↑	1	-	-	-	-	-	-	-	-	-		
		1	↑	1	-	VBP7	VBP6	VBP5	VBP4	VBP3	VBP2	VBP1	VBP0		
		1	↑	1	-	-	-	-	-	-	-	-	HBP8		
		1	↑	1	-	HBP7	HBP6	HBP5	HBP4	HBP3	HBP2	HBP1	HBP0		
DISSET5	10.2.7	0	↑	1	-	1	0	1	1	0	1	1	0	(B6h)	Display function setting
		1	↑	1	-	0	0	NO1	NO0	SDT1	SDT0	EQ1	EQ0		NO: the amount of non-overlap SDT: set amount of source delay
		1	↑	1	-	0	0	0	0	PTG1	PTG0	PT1	PT0		EQ: set EQ period PT: No display area source/VCOM/Gate output control

# ST7713

Table 10.2.2 Panel Function Command List (2)

Instruction	Refer	D/CX	WRX	RDX	D17-8	D7	D6	D5	D4	D3	D2	D1	D0	(Hex)	Function
PWCTR1	10.2.8	0	↑	1	-	1	1	0	0	0	0	0	0	(C0h)	Power control setting
		1	↑	1	-	0	0	0	VRH4	VRH3	VRH2	VRH1	VRH0		VRH: Set the GVDD voltage
		1	↑	1	-	0	0	0	0	0	VC2	VC1	VC0		VC: Set the VCI1 voltage
PWCTR2	10.2.9	0	↑	1	-	1	1	0	0	0	0	0	1	(C1h)	Power control setting
		1	↑	1	-	0	0	0	0	0	BT2	BT1	BT0		BT: set AVDD/VCL/VGH/VGL voltage
PWCTR3	10.2.10	0	↑	1	-	1	1	0	0	0	0	1	0	(C2h)	In normal mode (Full colors)
		1	↑	1	-	0	0	0	0	0	APA2	APA1	APA0		APA: adjust the operational amplifier
		1	↑	1	-	0	0	0	0	0	DCA2	DCA1	DCA0		DCA: adjust the booster circuit for Idle mode
PWCTR4	10.2.11	0	↑	1	-	1	1	0	0	0	0	1	1	(C3h)	In Idle mode (8-colors)
		1	↑	1	-	0	0	0	0	0	APB2	APB1	APB0		APB: adjust the operational amplifier
		1	↑	1	-	0	0	0	0	0	DCB2	DCB1	DCB0		DCB: adjust the booster circuit for Idle mode
PWCTR5	10.2.12	0	↑	1	-	1	1	0	0	0	1	0	0	(C4h)	In partial mode + Full colors
		1	↑	1	-	0	0	0	0	0	APC2	APC1	APC0		APC: adjust the operational amplifier
		1	↑	1	-	0	0	0	0	0	DCC2	DCC1	DCC0		DCC: adjust the booster circuit for Idle mode
VMCTR1	10.2.13	0	↑	1	-	1	1	0	0	0	1	0	1	(C5h)	VCOM control 1
		1	↑	1	-	-	VMH6	VMH5	VMH4	VMH3	VMH2	VMH1	VMH0		VMH: VCOMH voltage control
		1	↑	1	-	-	VML6	VML5	VM4	VML3	VML2	VML1	VML0		VML: VCOML voltage control
VMOFCTR	10.2.14	0	↑	1	-	1	1	0	0	0	1	1	1	(C7h)	VCOM offset control
		1	↑	1	-	-	VMF6	-	-	VMF3	VMF2	VMF1	VMF0		

“-”: Don't care

Note 1: C0h to C7h are fixed for about power controller.

Table 10.2.3 Panel Function Command List (3)

Instruction	Refer	D/CX	WRX	RDX	D17-8	D7	D6	D5	D4	D3	D2	D1	D0	(Hex)	Function
WRID2	10.2.15	0	↑	1	-	1	1	0	1	0	0	0	1	(D1h)	LCM version code
		1	↑	1	-	0	ID26	ID25	ID24	ID23	ID22	ID21	ID20		Write ID2 value to NV memory Set the LCM version code at ID2
WRID3	10.2.16	0	↑	1	-	1	1	0	1	0	0	1	0	(D2h)	Customer Project code
		1	↑	1	-	ID37	ID36	ID35	ID34	ID33	ID32	ID31	ID30		Write ID3 value to NV memory Set the project code at ID3
RDID4	10.2.17	0	↑	1	-	1	1	0	1	0	0	1	1	(D3h)	IC Vender Coder
		1	1	↑	-	-	-	-	-	-	-	-	-		Dummy read
		1	1	↑	-	ID417	ID416	ID415	ID414	ID413	ID412	ID411	ID410		ID41:IC Vender Code
		1	1	↑	-	ID427	ID426	ID425	ID424	ID423	ID422	ID421	ID420		ID42: IC Part Number Code
		1	1	↑	-	ID437	ID436	ID435	ID434	ID433	ID432	ID431	ID430		ID43 & ID44: Chip version coder
NVCTR1	10.2.18	0	↑	1	-	1	1	0	1	1	0	0	1	(D9h)	OTP control status
		1	1	↑	-	-	-	-	EXTC	-	-	-	RDY		
NVCTR2	10.2.19	0	↑	1	-	1	1	0	1	1	1	1	0	(DEh)	OTP read command
		1	↑	1	-	1	0	1	0	1	0	1	0	AA	
		1	↑	1	-	0	0	0	0	1	1	1	1	0F	
NVCTR3	10.2.20	0	↑	1	-	1	1	0	1	1	1	1	1	(DFh)	OTP write command
		1	↑	1	-	0	1	0	1	0	1	0	1	55	
		1	↑	1	-	1	1	1	1	0	0	0	0	F0	
		1	↑	1	-	0	1	0	1	1	0	1	0	5A	

“-”: Don't care

Note 1: The D1h to D3h registers are fixed for about ID code setting.

Note 2: The D9h, DEh and DFh registers are used for NV Memory function controller. (Ex: write, clear, etc.)

# ST7713

Table 10.2.4 Panel Function Command List (4)

Instruction	Refer	D/CX	WRX	RDX	D17-8	D7	D6	D5	D4	D3	D2	D1	D0	(Hex)	Function
GAMCTRP1	10.2.21	0	↑	1	-	1	1	1	0	0	0	0	0	(E0h)	Set Gamma correction
		1	↑	1	-	-	-	-	-	RFP3	RFP2	RFP1	RFP0		Gamma adjustment (+ polarity)
		1	↑	1	-	-	-	-	PKP04	PKP03	PKP02	PKP01	PKP00		
		1	↑	1	-	-	-	-	PKP14	PKP13	PKP12	PKP11	PKP10		
		1	↑	1	-	-	-	-	PKP24	PKP23	PKP22	PKP21	PKP20		
		1	↑	1	-	-	-	-	PKP34	PKP33	PKP32	PKP31	PKP30		
		1	↑	1	-	-	-	-	PKP44	PKP43	PKP42	PKP41	PKP40		
		1	↑	1	-	-	-	-	-	PKP53	PKP52	PKP51	PKP50		
		1	↑	1	-	-	-	-	-	PKP63	PKP62	PKP61	PKP60		
		1	↑	1	-	-	-	-	-	PKP73	PKP72	PKP71	PKP70		
		1	↑	1	-	-	-	-	-	PKP83	PKP82	PKP81	PKP80		
		1	↑	1	-	-	-	-	RFP14	RFP13	RFP12	RFP11	RFP10		
		1	↑	1	-	-	-	-	OSP14	OSP13	OSP12	OSP11	OSP10		
		1	↑	1	-	-	-	-	-	OSP3	OSP2	OSP1	OSP0		
GAMCTRN1	10.2.22	0	↑	1	-	1	1	1	0	0	0	0	0	(E1h)	Set Gamma correction
		1	↑	1	-	-	-	-	-	RFN3	RFN2	RFN1	RFN0		Gamma adjustment (- polarity)
		1	↑	1	-	-	-	-	PKN04	PKN03	PKN02	PKN01	PKN00		
		1	↑	1	-	-	-	-	PKN14	PKN13	PKN12	PKN11	PKN10		
		1	↑	1	-	-	-	-	PKN24	PKN23	PKN22	PKN21	PKN20		
		1	↑	1	-	-	-	-	PKN34	PKN33	PKN32	PKN31	PKN30		
		1	↑	1	-	-	-	-	PKN44	PKN43	PKN42	PKN41	PKN40		
		1	↑	1	-	-	-	-	-	PKN53	PKN52	PKN51	PKN50		
		1	↑	1	-	-	-	-	-	PKN63	PKN62	PKN61	PKN60		
		1	↑	1	-	-	-	-	-	PKN73	PKN72	PKN71	PKN70		
		1	↑	1	-	-	-	-	-	PKN83	PKN82	PKN81	PKN80		
		1	↑	1	-	-	-	-	RFN14	RFN13	RFN12	RFN11	RFN10		
		1	↑	1	-	-	-	-	OSN14	OSN13	OSN12	OSN11	OSN10		
		1	↑	1	-	-	-	-	-	OSN3	OSN2	OSN1	OSN0		

“-”: Don't care

Note 1: E0-E1 registers are fixed for about Gamma adjustment.

# ST7713

## 10.1.1 NOP (00h)

00H	NOP (No Operation)												
Inst / Para	D/CX	WRX	RDX	D17-8	D7	D6	D5	D4	D3	D2	D1	D0	(Code)
NOP	0	↑	1	-	0	0	0	0	0	0	0	0	(00h)
Parameter	No Parameter												-

NOTE: “-“ Don't care

Description	-This command is empty command.
-------------	---------------------------------

## 10.1.2 SWRESET (01h): Software Reset

01H	SWRESET (Software Reset)												
Inst / Para	D/CX	WRX	RDX	D17-8	D7	D6	D5	D4	D3	D2	D1	D0	(Code)
SWRESET	0	↑	1	-	0	0	0	0	0	0	0	1	(01h)
Parameter	No Parameter												-

NOTE: “-“ Don't care

Description	<p>-If Software Reset is applied during Sleep In mode, it will be necessary to wait 120msec before sending next command.</p> <p>-The display module loads all default values to the registers during 120msec.</p> <p>-If Software Reset is applied during Sleep Out or Display On Mode, it will be necessary to wait 120msec before sending next command.</p>
-------------	---

## 10.1.3 RDDID (04h): Read Display ID

04H	RDDID (Read Display ID)												
Inst / Para	D/CX	WRX	RDX	D17-8	D7	D6	D5	D4	D3	D2	D1	D0	(Code)
RDDID	0	↑	1	-	0	0	0	0	0	1	0	0	(04h)
1 <sup>st</sup> Parameter	1	1	↑	-	-	-	-	-	-	-	-	-	-
2 <sup>nd</sup> Parameter	1	1	↑	-	ID17	ID16	ID15	ID14	ID13	ID12	ID11	ID10	
3 <sup>rd</sup> Parameter	1	1	↑	-	1	ID26	ID25	ID24	ID23	ID22	ID21	ID20	
4 <sup>th</sup> Parameter	1	1	↑	-	ID37	ID36	ID35	ID34	ID33	ID32	ID31	ID30	

NOTE: “-“ Don't care

Description	<p>-This read byte returns 24-bit display identification information.</p> <p>-The 1st parameter is dummy data</p> <p>-The 2nd parameter (ID17 to ID10): LCD module's manufacturer ID.</p> <p>-The 3rd parameter (ID26 to ID20): LCD module/driver version ID</p> <p>-The 4th parameter (ID37 to UD30): LCD module/driver ID.</p> <p>NOTE: Commands RDID1/2/3(DAh, DBh, DCh) read data correspond to the parameters 2,3,4 of the command 04h, respectively.</p>																			
Default	<table border="1"> <thead> <tr> <th rowspan="2">Status</th> <th colspan="3">Default Value</th> </tr> <tr> <th>ID1</th> <th>ID2</th> <th>ID3</th> </tr> </thead> <tbody> <tr> <td>Power On Sequence</td> <td>-</td> <td>8xh</td> <td>00h</td> </tr> <tr> <td>S/W Reset</td> <td>-</td> <td>8xh</td> <td>00h</td> </tr> <tr> <td>H/W Reset</td> <td>-</td> <td>8xh</td> <td>00h</td> </tr> </tbody> </table>	Status	Default Value			ID1	ID2	ID3	Power On Sequence	-	8xh	00h	S/W Reset	-	8xh	00h	H/W Reset	-	8xh	00h
Status	Default Value																			
	ID1	ID2	ID3																	
Power On Sequence	-	8xh	00h																	
S/W Reset	-	8xh	00h																	
H/W Reset	-	8xh	00h																	



# ST7713

## 10.1.4 RDDST (09h): Read Display Status

09H	RDDST (Read Display Status)												
Inst / Para	D/CX	WRX	RDX	D17-8	D7	D6	D5	D4	D3	D2	D1	D0	(Code)
RDDST	0	↑	1	-	0	0	0	0	1	0	0	1	(09h)
1st Parameter	1	1	↑	-	-	-	-	-	-	-	-	-	-
2nd Parameter	1	1	↑	-	BSTON	MY	MX	MV	ML	RGB	-	ST24	
3rd Parameter	1	1	↑	-	ST23	IFPF2	IFPF1	IFPF0	IDMON	PTLON	SLOUT	NORON	
4th Parameter	1	1	↑	-	VSSON	ST14	INVON	ST12	ST11	DISON	TEON	GCS2	
5th Parameter	1	1	↑	-	GCS1	GCS0	TELOM	HSON	VSON	PCKON	DEON	ST0	

NOTE: “-“ Don't care

Description	Bit	Description	Value
		BSTON	Booster Voltage Status
	MY	Row Address Order (MY)	'1' =Decrement, (Bottom to Top, when MADCTL (36h) D7='1') '0' =Increment, (Top to Bottom, when MADCTL (36h) D7='0')
	MX	Column Address Order (MX)	'1' =Decrement, (Right to Left, when MADCTL (36h) D6='1') '0' =Increment, (Left to Right, when MADCTL (36h) D6='1')
	MV	Row/Column Exchange (MV)	'1' = Row/column exchange, (when MADCTL (36h) D5='1') '0' = Normal, (when MADCTL (36h) D5='0')
	ML	Scan Address Order (ML)	'1' =Decrement, (LCD refresh Top to Bottom, when MADCTL (36h) D4='1') '0' =Increment, (LCD refresh Bottom to Top, when MADCTL (36h) D4='0')
	RGB	RGB/ BGR Order (RGB)	'1' =BGR, (When MADCTL (36h) D3='1') '0' =RGB, (When MADCTL (36h) D3='0')
	ST24	For Future Use	'0'
	ST23	For Future Use	'0'
	IFPF2	Interface Color Pixel Format Definition	"011" = 12-bit / pixel,
	IFPF1		"101" = 16-bit / pixel,
	IFPF0		"110" = 18-bit / pixel, others are no define
	IDMON	Idle Mode On/Off	'1' = On, "0" = Off
	PTLON	Partial Mode On/Off	'1' = On, "0" = Off
	SLPOUT	Sleep In/Out	'1' = Out, "0" = In
	NORON	Display Normal Mode On/Off	'1' = Normal Display, '0' = Partial Display
	VSSON	Vertical Scrolling Status	'1' = Scroll on,"0" = Scroll off
	ST14	Horizontal Scroll Status	'0'
	INVON	Inversion Status	'1' = On, "0" = Off
	ST12	All Pixels On (Not Used)	'0'
	ST11	All Pixels Off (Not Used)	'0'
	DISON	Display On/Off	'1' = On, "0" = Off
	TEON	Tearing effect line on/off	'1' = On, "0" = Off
	GCSEL2	Gamma Curve Selection	"000" = GC0
	GCSEL1		"001" = GC1
	GCSEL0		"010" = GC2 "011" = GC3 "100" to "111" = Not defined
	TELOM	Tearing effect line mode	'0' = mode1, '1' = mode2
	HSON	Horizontal Sync. (HS, RGB I/F)	'1' = On, '0' = Off
	VSON	Vertical Sync. (VS, RGB I/F)	'1' = On, '0' = Off
	PCLKON	Pixel Clock (PCLK, RGB I/F)	'1' = On, '0' = Off
	DEON	Data Enable (DE, RGB I/F)	'1' = On, '0' = Off
	ST0	For Future Use	'0'

Note: ST0, ST5, ST9, ST11-ST15, ST19, ST23, ST24 are set to '0', when RGB I/F.

Default	Status	Default Value (ST31 to ST0)			
		ST[31-24]	ST[23-16]	ST[15-8]	ST[7-0]
	Power On Sequence	0000-0000	0110-0001	0000-0000	0000-0000
	S/W Reset	0xxx0xx00	0xxx-0001	0000-0000	0000-0000
	H/W Reset	0000-0000	0110-0001	0000-0000	0000-0000

# ST7713

## 10.1.5 RDDPM (0Ah): Read Display Power Mode

0AH	RDDPM (Read Display Power Mode)												
Inst / Para	D/CX	WRX	RDX	D17-8	D7	D6	D5	D4	D3	D2	D1	D0	(Code)
RDDPM	0	↑	1	-	0	0	0	0	1	0	1	0	(0Ah)
1 <sup>st</sup> Parameter	1	1	↑	-	-	-	-	-	-	-	-	-	-
2 <sup>nd</sup> Parameter	1	1	↑		BSTON	IDMON	PTLON	SLPOUT	NORON	DISON	D1	D0	

NOTE: "-" Don't care, can be set to VDDI or DGND level

Description	This command indicates the current status of the display as described in the table below:		
	Bit	Description	Value
	BSTON	Booster Voltage Status	'1' =Booster on, '0' =Booster off
	IDMON	Idle Mode On/Off	'1' = Idle Mode On, '0' = Idle Mode Off
	PTLON	Partial Mode On/Off	'1' = Partial Mode On, '0' = Partial Mode Off
	SLPON	Sleep In/Out	'1' = Sleep Out, '0' = Sleep In
	NORON	Display Normal Mode On/Off	'1' = Normal Display, '0' = Partial Display
	DISON	Display On/Off	'1' = Display On, '0' = Display Off
	D1	Not Used	'0'
	D0	Not Used	'0'
Default	Status		Default Value (D7 to D0)
	Power On Sequence		0000_1000(08h)
	S/W Reset		0000_1000(08h)
	H/W Reset		0000_1000(08h)

## 10.1.6 RDDMADCTL (0Bh): Read Display MADCTL

0BH	RDDMADCTL (Read Display MADCTL)												
Inst / Para	D/CX	WRX	RDX	D17-8	D7	D6	D5	D4	D3	D2	D1	D0	(Code)
RDDMADCTL	0	↑	1	-	0	0	0	0	1	0	1	1	(0Bh)
1 <sup>st</sup> Parameter	1	1	↑	-	-	-	-	-	-	-	-	-	-
2 <sup>nd</sup> Parameter	1	1	↑		MY	MX	MV	ML	RGB	-	D1	D0	

NOTE: "-" Don't care, can be set to VDDI or DGND level

Description	This command indicates the current status of the display as described in the table below:		
	Bit	Description	Value
	MY	Row Address Order	'1' = Bottom to Top (When MADCTL B7='1') '0' = Top to Bottom (When MADCTL B7='0')
	MX	Column Address Order	'1' = Right to Left (When MADCTL B6='1') '0' = Left to Right (When MADCTL B6='0')
	MV	Row/Column Order (MV)	'1' = Row/column exchange (MV=1) '0' = Normal (MV=0)
	ML	Vertical Refresh Order	'1' =LCD Refresh Bottom to Top '0' =LCD Refresh Top to Bottom
	RGB	RGB/BGR Order	'1' =BGR, "0"=RGB
		D1	Not Used
	D0	Not Used	'0'
Default	Status		Default Value (D7 to D0)
	Power On Sequence		0000_0000 (00h)
	S/W Reset		No change
	H/W Reset		0000_0000 (00h)

# ST7713

## 10.1.7 RDDCOLMOD (0Ch): Read Display Pixel Format

0Ch	RDDCOLMOD (Read Display Pixel Format)												(Code)
Inst / Para	D/CX	WRX	RDX	D17-8	D7	D6	D5	D4	D3	D2	D1	D0	(Code)
RDDCOLMOD	0	↑	1	-	0	0	0	0	1	1	0	0	(0Ch)
1 <sup>st</sup> Parameter	1	1	↑	-	-	-	-	-	-	-	-	-	-
2 <sup>nd</sup> Parameter	1	1	↑	-	VIPF3	VIPF2	VIPF1	VIPF0	-	IFPF2	IFPF1	IFPF0	-

NOTE: "-" Don't care, can be set to VDDI or DGND level

Description	This command indicates the current status of the display as described in the table below:		
	IFPF[2:0]		MCU Interface Color Format
	011	3	12-bit/pixel
	101	5	16-bit/pixel
	110	6	18-bit/pixel
	111	7	No used
	Others are no define and invalid		
Description	VIPF[2:0]		RGB Interface Color Format
	0101	5	16-bit/pixel (1-times data transfer)
	0110	6	18-bit/pixel (1-times data transfer)
	0111	7	No used
	1110	14	18-bit/pixel (3-times data transfer)
	Others are no define and invalid		
Default	Status		Default Value
			IFPF[2:0]      VIPF[3:0]
	Power On Sequence		0110 (18 bits/pixel)      0110 (18 bits/pixel)
	S/W Reset		No Change      No Change
	H/W Reset		0110 (18 bits/pixel)      0110 (18 bits/pixel)

## 10.1.8 RDDDIM (0Dh): Read Display Image Mode

0Dh	RDDIM (0Dh): Read Display Image Mode												(Code)
Inst / Para	D/CX	WRX	RDX	D17-8	D7	D6	D5	D4	D3	D2	D1	D0	(Code)
RDDIM	0	↑	1	-	0	0	0	0	1	1	0	1	(0Dh)
1 <sup>st</sup> Parameter	1	1	↑	-	-	-	-	-	-	-	-	-	-
2 <sup>nd</sup> Parameter	1	1	↑	-	VSSON	D6	INVON	D4	D3	GCS2	GCS1	GCS0	-

NOTE: "-" Don't care, can be set to VDDI or DGND level

Description	This command indicates the current status of the display as described in the table below:		
	Bit	Description	Value
	VSSON	Vertical Scrolling On/Off	"1" = Vertical scrolling is On, "0" = Vertical scrolling is Off
	D6	Horizontal Scrolling On/Off	"0" (Not used)
	INVON	Inversion On/Off	"1" = Inversion is On, "0" = Inversion is Off
	D4	All Pixels On	"0" (Not used)
	D3	All Pixels Off	"0" (Not used)
GCS2	Gamma Curve Selection	"000" = GC0, "001" = GC1, "010" = GC2, "011" = GC3, "100" to "111" = Not defined	
GCS1			
GCS0			
Default	Status		Default Value(D7 to D0)
	Power On Sequence		0000_0000 (00h)
	S/W Reset		0000_0000 (00h)
	H/W Reset		0000_0000 (00h)

www.DataSheet4U.com

# ST7713

## 10.1.9 RDDSM (0Eh): Read Display Signal Mode

0EH	RDDSM (0Eh): Read Display Signal Mode												
Inst / Para	D/CX	WRX	RDX	D17-8	D7	D6	D5	D4	D3	D2	D1	D0	(Code)
RDDSM	0	↑	1	-	0	0	0	0	1	1	1	0	(0Eh)
1 <sup>st</sup> Parameter	1	1	↑	-	-	-	-	-	-	-	-	-	-
2 <sup>nd</sup> Parameter	1	1	↑	-	TEON	TELOM	HSON	VSON	PCKON	DEON	D1	D0	

NOTE: "-" Don't care, can be set to VDDI or DGND level

Description	This command indicates the current status of the display as described in the table below:		
	Bit	Description	Value
	TEON	Tearing Effect Line On/Off	"1" = On, "0" = Off
	TELOM	Tearing effect line mode	"1" = mode1, "0" = mode2
	HSON	Horizontal Sync. (RGB I/F) On/Off	"1" = On, "0" = Off
	VSON	Vertical Sync. (RGB I/F) On/Off	"1" = On, "0" = Off
	PCKON	Pixel Clock (PCLK, RGB I/F) On/Off	"1" = On, "0" = Off
	DEON	Data Enable (DE, RGB I/F) On/Off	"1" = On, "0" = Off
Default	Status		Default Value(D7~D0)
	Power On Sequence		0000_0000 (00h)
	S/W Reset		0000_0000 (00h)
	H/W Reset		0000_0000 (00h)

## 10.1.10 RDDSDR (0Fh): Read Display Self-Diagnostic Result

0FH	RDDSDR (0Fh): Read Display Self-Diagnostic Result												
Inst / Para	D/CX	WRX	RDX	D17-8	D7	D6	D5	D4	D3	D2	D1	D0	(Code)
RDDSDR	0	↑	1	-	0	0	0	0	1	1	1	1	(0Fh)
1 <sup>st</sup> Parameter	1	1	↑	-	-	-	-	-	-	-	-	-	-
2 <sup>nd</sup> Parameter	1	1	↑	-	RELD	FUND	ATTD	BRD	D3	D2	D1	D0	

NOTE: "-" Don't care, can be set to VDDI or DGND level

Description	This command indicates the current status of the display as described in the table below:		
	Bit	Description	Value
	RELD	Register Loading Detection	See section 9.20
	FUND	Functionality Detection	See section 9.20
	ATTD	Chip Attachment Detection	See section 9.20
	BRD	Display Glass Break Detection	See section 9.20
	D3	Not Used	"0"
	D2	Not Used	"0"
Default	Status		Default Value(D7~D0)
	Power On Sequence		0000_0000 (00h)
	S/W Reset		0000_0000 (00h)
	H/W Reset		0000_0000 (00h)

# ST7713

## 10.1.11 SLPIN (10h): Sleep In

10H	SLPIN (Sleep In)												
Inst / Para	D/CX	WRX	RDX	D17-8	D7	D6	D5	D4	D3	D2	D1	D0	(Code)
SLPIN	0	↑	1	-	0	0	0	1	0	0	0	0	(10h)
1 <sup>st</sup> Parameter	No parameter												-

NOTE: "-" Don't care, can be set to VDDI or DGND level

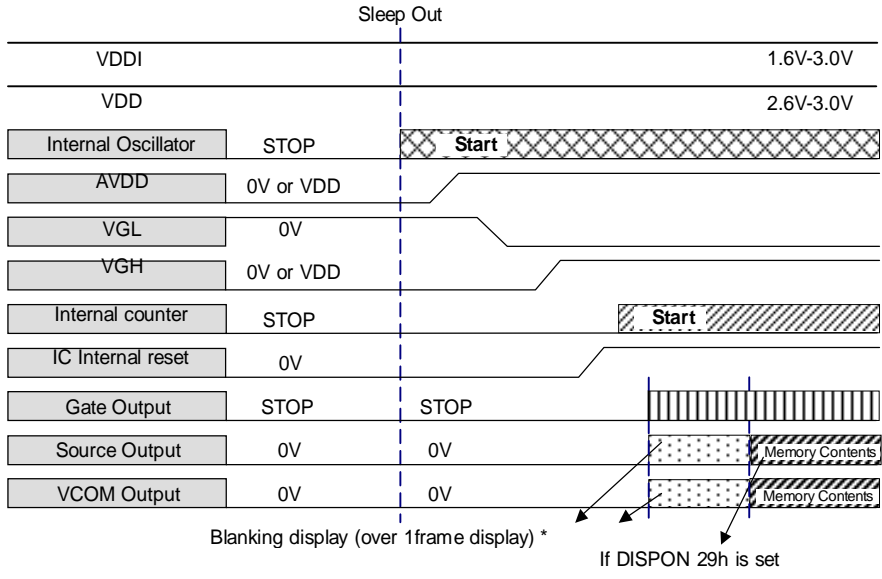
Description	<p>-This command causes the LCD module to enter the minimum power consumption mode. -In this mode the DC/DC converter is stopped, Internal display oscillator is stopped, and panel scanning is stopped.</p> <p>* Note: complete 1 frame display (ex: continue 2-falling edges of VS)</p>									
	Restriction	<p>-This command has no effect when module is already in sleep in mode. Sleep In Mode can only be exit by the Sleep Out Command (11h). -When IC is in Sleep Out or Display On mode, it is necessary to wait 120msec before sending next command because of the stabilization timing for the supply voltages and clock circuits.</p>								
Default	<table border="1"> <thead> <tr> <th>Status</th> <th>Default Value</th> </tr> </thead> <tbody> <tr> <td>Power On Sequence</td> <td>Sleep in mode</td> </tr> <tr> <td>S/W Reset</td> <td>Sleep in mode</td> </tr> <tr> <td>H/W Reset</td> <td>Sleep in mode</td> </tr> </tbody> </table>		Status	Default Value	Power On Sequence	Sleep in mode	S/W Reset	Sleep in mode	H/W Reset	Sleep in mode
Status	Default Value									
Power On Sequence	Sleep in mode									
S/W Reset	Sleep in mode									
H/W Reset	Sleep in mode									

# ST7713

## 10.1.12 SLPOUT (11h): Sleep Out

11H	SLPOUT (Sleep Out)												
Inst / Para	D/CX	WRX	RDX	D17-8	D7	D6	D5	D4	D3	D2	D1	D0	(Code)
SLPOUT	0	↑	1	-	0	0	0	1	0	0	0	1	(11h)
1st Parameter	No Parameter												-

NOTE: "-" Don't care, can be set to VDDI or DGND level

Description	<p>-This command turns off sleep mode. -In this mode the DC/DC converter is enabled, Internal display oscillator is started, and panel scanning is started.</p>  <p>* Note: complete 1 frame display (ex: continue 2-falling edges of VS)</p>								
Restriction	<p>-This command has no effect when module is already in sleep out mode. Sleep Out Mode can only be exit by the Sleep In Command (10h). -When IC is in Sleep In mode, it is necessary to wait 120msec before sending next command because of the stabilization timing for the supply voltages and clock circuits. -When IC is in Sleep Out or Display On mode, it is necessary to wait 120msec before sending next command due to the download of default value of registers and the execution of self-diagnostic function.</p>								
Default	<table border="1"> <thead> <tr> <th>Status</th> <th>Default Value</th> </tr> </thead> <tbody> <tr> <td>Power On Sequence</td> <td>Sleep in mode</td> </tr> <tr> <td>S/W Reset</td> <td>Sleep in mode</td> </tr> <tr> <td>H/W Reset</td> <td>Sleep in mode</td> </tr> </tbody> </table>	Status	Default Value	Power On Sequence	Sleep in mode	S/W Reset	Sleep in mode	H/W Reset	Sleep in mode
Status	Default Value								
Power On Sequence	Sleep in mode								
S/W Reset	Sleep in mode								
H/W Reset	Sleep in mode								

# ST7713

## 10.1.13 PTLON (12h): Partial Display Mode On

12H	PTLON (12h): Partial Display Mode On												
Inst / Para	D/CX	WRX	RDX	D17-8	D7	D6	D5	D4	D3	D2	D1	D0	(Code)
PTLON	0	↑	1	-	0	0	0	1	0	0	1	0	(12h)
1 <sup>st</sup> Parameter	No Parameter												-

NOTE: "-" Don't care, can be set to VDDI or DGND level

Description	-This command turns on Partial mode. The partial mode window is described by the Partial Area command (30h) -To leave Partial mode, the Normal Display Mode On command (13H) should be written.												
	Status						Default Value						
Default	Power On Sequence						Normal Mode On						
	S/W Reset						Normal Mode On						
	H/W Reset						Normal Mode On						

## 10.1.14 NORON (13h): Normal Display Mode On

13H	NORON (Normal Display Mode On)												
Inst / Para	D/CX	WRX	RDX	D17-8	D7	D6	D5	D4	D3	D2	D1	D0	(Code)
NORON	0	↑	1	-	0	0	0	1	0	0	1	1	(13h)
1 <sup>st</sup> Parameter	No Parameter												-

NOTE: "-" Don't care, can be set to VDDI or DGND level

Description	-This command returns the display to normal mode. -Normal display mode on means <u>Partial mode off</u> , <u>Scroll mode Off</u> . -Exit from NORON by the Partial mode On command (12h)												
	Status						Default Value						
Default	Power On Sequence						Normal Mode On						
	S/W Reset						Normal Mode On						
	H/W Reset						Normal Mode On						

## 10.1.15 INVOFF (20h): Display Inversion Off

20H	INVOFF (Normal Display Mode Off)												
Inst / Para	D/CX	WRX	RDX	D17-8	D7	D6	D5	D4	D3	D2	D1	D0	(Code)
INVOFF	0	↑	1	-	0	0	1	0	0	0	0	0	(20h)
1 <sup>st</sup> Parameter	No Parameter												-

NOTE: "-" Don't care, can be set to VDDI or DGND level

Description	-This command is used to recover from display inversion mode.												
	<p>(Example)</p>												
Default	Status						Default Value						
	Power On Sequence						Display Inversion off						
	S/W Reset						Display Inversion off						
	H/W Reset						Display Inversion off						

# ST7713

## 10.1.16 INVON (21h): Display Inversion On

21H	IVNOFF (Display Inversion On)												
Inst / Para	D/CX	WRX	RDX	D17-8	D7	D6	D5	D4	D3	D2	D1	D0	(Code)
INVON	0	↑	1	-	0	0	1	0	0	0	0	1	(21h)
1 <sup>st</sup> Parameter	No Parameter												-

NOTE: "-" Don't care, can be set to VDDI or DGND level

Description	<p>-This command is used to enter into display inversion mode                      -To exit from Display Inversion On, the Display Inversion Off command (20h) should be written.</p>			
	<p>(Example)</p>			
Default	Status		Default Value	
	Power On Sequence		Display Inversion off	
	S/W Reset		Display Inversion off	
	H/W Reset		Display Inversion off	

## 10.1.17 GAMSET (26h): Gamma Set

26H	GAMSET (Gamma Set)												
Inst / Para	D/CX	WRX	RDX	D17-8	D7	D6	D5	D4	D3	D2	D1	D0	(Code)
GAMSET	0	↑	1	-	0	0	1	0	0	1	1	0	(26h)
1 <sup>st</sup> Parameter	1	↑	1	-	-	-	-	-	GC3	GC2	GC1	GC0	

NOTE: "-" Don't care, can be set to VDDI or DGND level

Description	<p>-This command is used to select the desired Gamma curve for the current display. A maximum of 4 curves can be selected. The curves are defined in section 9.17 The curve is selected by setting the appropriate bit in the parameter as described in the Table.</p>							
	GC [7:0]		Parameter		Curve Selected			
					GS=1		GS=0	
	01h		GC0		Gamma Curve 1 (G2.2)		Gamma Curve 1 (G1.0)	
	02h		GC1		Gamma Curve 2 (G1.8)		Gamma Curve 2 (G2.5)	
	04h		GC2		Gamma Curve 3 (G2.5)		Gamma Curve 3 (G2.2)	
08h		GC3		Gamma Curve 4 (G1.0)		Gamma Curve 4 (G1.8)		
Note: All other values are undefined.								
Default	Status		Default Value					
	Power On Sequence		01h					
	S/W Reset		01h					
	H/W Reset		01h					



# ST7713

## 10.1.18 DISPOFF (28h): Display Off

28H	DISPOFF (Display Off)												
Inst / Para	D/CX	WRX	RDX	D17-8	D7	D6	D5	D4	D3	D2	D1	D0	(Code)
DISPOFF	0	↑	1	-	0	0	1	0	1	0	0	0	(28h)
1 <sup>st</sup> Parameter	No Parameter												-

NOTE: "-" Don't care, can be set to VDDI or DGND level

-This command is used to enter into DISPLAY OFF mode. In this mode, the output from Frame Memory is disabled and blank page inserted.  
 -Exit from this command by Display On (29h)  
 -When IC is in Display On mode, it is necessary to wait 50msec before sending next command.

(Example)

Display OFF

*Note1: Complete 1 frame display (ex: continue 2-falling edges of VS)*

*Note2: Please use command 28h (display off) combined with command 10h (sleep in) to make module into display off status. Please check the application note of ST7713 when using display off function.*

Status	Default Value
Power On Sequence	Display off
S/W Reset	Display off
H/W Reset	Display off

# ST7713

## 10.1.19 DISPON (29h): Display On

29H	DISPON (Display On)												
Inst / Para	D/CX	WRX	RDX	D17-8	D7	D6	D5	D4	D3	D2	D1	D0	(Code)
DISPON	0	↑	1	-	0	0	1	0	1	0	0	1	(29h)
1 <sup>st</sup> Parameter	No Parameter												-

NOTE: "-" Don't care, can be set to VDDI or DGND level

-This command is used to recover from DISPLAY OFF mode. Output from the Frame Memory is enabled.

(Example)

Display ON

VDDI 1.6V-3.3V

VDD 2.5V-3.3V

Blanking display (over 1 frame display)\*

Gate Output STOP

Source Output 0V

VCOM Output 0V

Internal counter STOP

Internal Oscillator

VGH

VGL

AVDD

IC Internal reset

\* Note: complete 1 frame display (ex: continue 2-falling edges of VS)

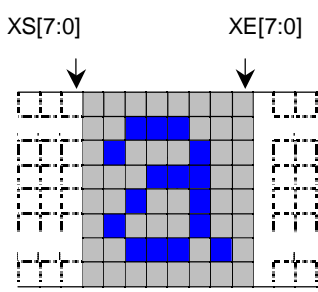
Default	Status		Default Value	
		Power On Sequence		Display off
		S/W Reset		Display off
		H/W Reset		Display off

# ST7713

## 10.1.20 CASET (2Ah): Column Address Set

2AH	CASET(Colume Address Set)_												
Inst / Para	D/CX	WRX	RDX	D17-8	D7	D6	D5	D4	D3	D2	D1	D0	(Code)
GAMSET	0	↑	1	-	0	0	1	0	0	1	1	0	(2Ah)
1 <sup>st</sup> Parameter	1	↑	1	-	XS15	XS14	XS13	XS12	XS11	XS10	XS9	XS8	
2 <sup>nd</sup> Parameter	1	↑	1	-	XS7	XS6	XS5	XS4	XS3	XS2	XS1	XS0	
3 <sup>rd</sup> Parameter	1	↑	1	-	XE15	XE14	XE13	XE12	XE11	XE10	XE9	XE8	
4 <sup>th</sup> Parameter	1	↑	1	-	XE7	XE6	XE5	XE4	XE3	XE2	XE1	XE0	

NOTE: "-" Don't care, can be set to VDDI or DGND level

Description	<p>-The value of XS [15:0] and XE [15:0] are referred when RAMWR command comes.                      -Each value represents one column line in the Frame Memory.</p> <p>(Example)</p>  <p>XS [15:0] always must be equal to or less than XE [15:0]                      When XS [15:0] or XE [15:0] is greater than maximum address like below, data of out of range will be ignored.</p> <p>1. 132x132 memory base                      (Parameter range: <math>0 \leq XS [15:0] \leq XE [15:0] \leq 131</math> (0083h)): MV="0"                      (Parameter range: <math>0 \leq XS [15:0] \leq XE [15:0] \leq 131</math> (0083h)): MV="1"</p>								
	Default	<table border="1" style="width: 100%;"> <thead> <tr> <th style="width: 33%;">Status</th> <th style="width: 33%;">Status</th> <th style="width: 33%;">Default Value</th> </tr> </thead> <tbody> <tr> <td> </td> <td> </td> <td> </td> </tr> </tbody> </table>			Status	Status	Default Value		
Status	Status	Default Value							

# ST7713

## 10.1.21 RASET (2Bh): Row Address Set

2BH	RASET (Row Address Set)												
Inst / Para	D/CX	WRX	RDX	D17-8	D7	D6	D5	D4	D3	D2	D1	D0	(Code)
RASET (2Bh)	0	↑	1	-	0	0	1	0	1	0	1	1	(2Bh)
1st Parameter	1	↑	1	-	YS15	YS14	YS13	YS12	YS11	YS10	YS9	YS8	
2nd Parameter	1	↑	1	-	YS7	YS6	YS5	YS4	YS3	YS2	YS1	YS0	
3rd Parameter	1	↑	1	-	YE15	YE14	YE13	YE12	YE11	YE10	YE9	YE8	
4th Parameter	1	↑	1	-	YE7	YE6	YE5	YE4	YE3	YE2	YE1	YE0	

NOTE: "-" Don't care, can be set to VDDI or DGND level

Description	<p>The value of YS [15:0] and YE [15:0] are referred when RAMWR command comes. Each value represents one column line in the Frame Memory.</p> <p style="text-align: center;">Example</p>					
	<p>YS [15:0] always must be equal to or less than YE [15:0]                  When YS [15:0] or YE [15:0] are greater than maximum row address like below, data of out of range will be ignored.</p> <p>1. 132X132 memory base                  (Parameter range: <math>0 \leq YS [15:0] \leq YE [15:0] \leq 131</math> (0083h)): MV="0"                  (Parameter range: <math>0 \leq YS [15:0] \leq YE [15:0] \leq 131</math> (0083h)): MV="1"</p>					
Default	<table border="1" style="width: 100%; border-collapse: collapse;"> <tr> <td style="width: 33%;">status</td> <td style="width: 33%;">Status</td> <td style="width: 33%;">Default Value</td> </tr> </table>			status	Status	Default Value
	status	Status	Default Value			

# ST7713

## 10.1.22 RAMWR (2Ch): Memory Write

2CH	RAMWR (Memory Write)												
Inst / Para	D/CX	WRX	RDX	D17-8	D7	D6	D5	D4	D3	D2	D1	D0	(Code)
RAMWR	0	↑	1	-	0	0	1	0	1	1	0	0	(2Ch)
1st Parameter	1	↑	1	D17-8	D7	D6	D5	D4	D3	D2	D1	D0	-
	1	↑	1										
Nth Parameter	1	↑	1	D17-8	D7	D6	D5	D4	D3	D2	D1	D0	-

NOTE: "-" Don't care, can be set to VDDI or DGND level

Description	<p>-When this command is accepted, the column register and the row register are reset to the Start Column/Start Row positions.</p> <p>-The Start Column/Start Row positions are different in accordance with MADCTL setting. (See section 9.12)</p> <p>-Sending any other command can stop Frame Write.</p>									
	<p>In all color modes, there is no restriction on length of parameters.</p> <p>-1. 132x132 memory base 132x132x18-bit memory can be written on this command. Memory range: (0000h,0000h) -&gt; (0083h,0083h)</p>									
Default	<table border="1"> <thead> <tr> <th>Status</th> <th>Default Value</th> </tr> </thead> <tbody> <tr> <td>Power On Sequence</td> <td>Contents of memory is set randomly</td> </tr> <tr> <td>S/W Reset</td> <td>Contents of memory is not cleared</td> </tr> <tr> <td>H/W Reset</td> <td>Contents of memory is not cleared</td> </tr> </tbody> </table>		Status	Default Value	Power On Sequence	Contents of memory is set randomly	S/W Reset	Contents of memory is not cleared	H/W Reset	Contents of memory is not cleared
	Status	Default Value								
	Power On Sequence	Contents of memory is set randomly								
	S/W Reset	Contents of memory is not cleared								
H/W Reset	Contents of memory is not cleared									

# ST7713

## 10.1.23 RAMHD (2Eh): Memory Read

2EH	RAMHD (Memory Read)												
Inst / Para	D/CX	WRX	RDX	D17-8	D7	D6	D5	D4	D3	D2	D1	D0	(Code)
RAMHD	0	↑	1	-	0	0	1	0	1	1	1	0	(2Eh)
1 <sup>st</sup> Parameter	1	1	↑	-	-	-	-	-	-	-	-	-	-
2 <sup>nd</sup> Parameter	1	1	↑	D17-8	D7	D6	D5	D4	D3	D2	D1	D0	-
(N+1) <sup>th</sup> Parameter	1	1	↑	D17-8	D7	D6	D5	D4	D3	D2	D1	D0	-

NOTE: "-" Don't care, can be set to VDDI or DGND level



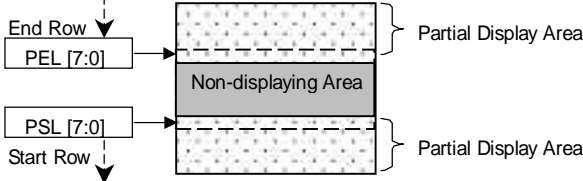
Description	<p>-This command is used to transfer data from frame memory to MCU.                      -When this command is accepted, the column register and the row register are reset to the Start Column/Start Row positions.                      -The Start Column/Start Row positions are different in accordance with MADCTL setting. (See section 9.12)                      -Then D[17:0] is read back from the frame memory and the column register and the row register incremented as section 9.10.2.                      -Frame Read can be cancelled by sending any other command.                      -The data color coding is fixed to 18-bit in reading function. Please see section 9.8 "Data color coding" for color coding (18-bit cases), when there is used 8, 9, 16 and 18-bit data lines for image data.</p> <p><i>Note 1: The Command 3Ah should be set to 66h when <u>reading</u> pixel data from frame memory. Please check the LUT in chapter 9.19 when using memory read function.</i></p>								
	Default	<table border="1"> <thead> <tr> <th>Status</th> <th>Default Value</th> </tr> </thead> <tbody> <tr> <td>Power On Sequence</td> <td>Contents of memory is set randomly</td> </tr> <tr> <td>S/W Reset</td> <td>Contents of memory is not cleared</td> </tr> <tr> <td>H/W Reset</td> <td>Contents of memory is not cleared</td> </tr> </tbody> </table>	Status	Default Value	Power On Sequence	Contents of memory is set randomly	S/W Reset	Contents of memory is not cleared	H/W Reset
Status		Default Value							
Power On Sequence		Contents of memory is set randomly							
S/W Reset		Contents of memory is not cleared							
H/W Reset	Contents of memory is not cleared								

# ST7713

## 10.1.25 PTLAR (30h): Partial Area

30H	PTLAR (Partial Area)												
Inst / Para	D/CX	WRX	RDX	D17-8	D7	D6	D5	D4	D3	D2	D1	D0	(Code)
PTLAR	0	↑	1	-	0	0	1	1	0	0	0	0	(30h)
1 <sup>st</sup> Parameter	1	↑	1	-	-	-	-	-	-	-	-	-	
2 <sup>nd</sup> Parameter	1	↑	1	-	PSL7	PSL6	PSL5	PSL4	PSL3	PSL2	PSL1	PSL0	
3 <sup>rd</sup> Parameter	1	↑	1	-	-	-	-	-	-	-	-	-	
4 <sup>th</sup> Parameter	1	↑	1	-	PEL7	PEL6	PEL5	PEL4	PEL3	PEL2	PEL1	PEL0	

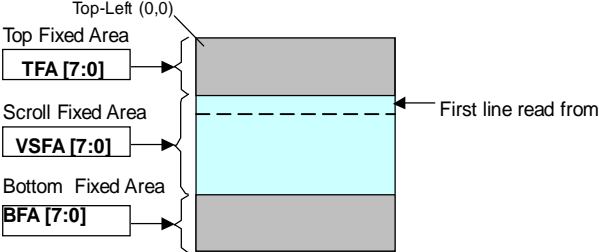
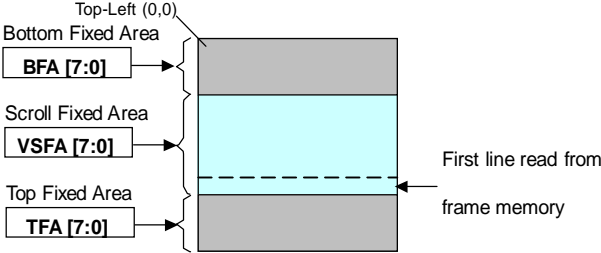
NOTE: "-" Don't care, can be set to VDDI or DGND level

Description	<p>-This command defines the partial mode's display area.</p> <p>-There are 4 parameters associated with this command, the first defines the Start Row (PSL) and the second the End Row (PEL), as illustrated in the figures below. PSL and PEL refer to the Frame Memory row address counter.</p> <p>-If End Row &gt; Start Row, when MADCTL ML='0'</p>  <p>-If End Row &gt; Start Row, when MADCTL ML='1'</p>  <p>-If End Row &lt; Start Row, when MADCTL ML='0'</p>  <p>-If End Row = Start Row then the Partial Area will be one row deep.</p>														
	Default	<table border="1"> <thead> <tr> <th rowspan="2">Status</th> <th colspan="2">Default Value</th> </tr> <tr> <th>PSL [15:0]</th> <th>PEL [15:0]</th> </tr> </thead> <tbody> <tr> <td>Power On Sequence</td> <td>0000h</td> <td>0083h</td> </tr> <tr> <td>S/W Reset</td> <td>0000h</td> <td>0083h</td> </tr> <tr> <td>H/W Reset</td> <td>0000h</td> <td>0083h</td> </tr> </tbody> </table>	Status	Default Value		PSL [15:0]	PEL [15:0]	Power On Sequence	0000h	0083h	S/W Reset	0000h	0083h	H/W Reset	0000h
Status	Default Value														
	PSL [15:0]	PEL [15:0]													
Power On Sequence	0000h	0083h													
S/W Reset	0000h	0083h													
H/W Reset	0000h	0083h													

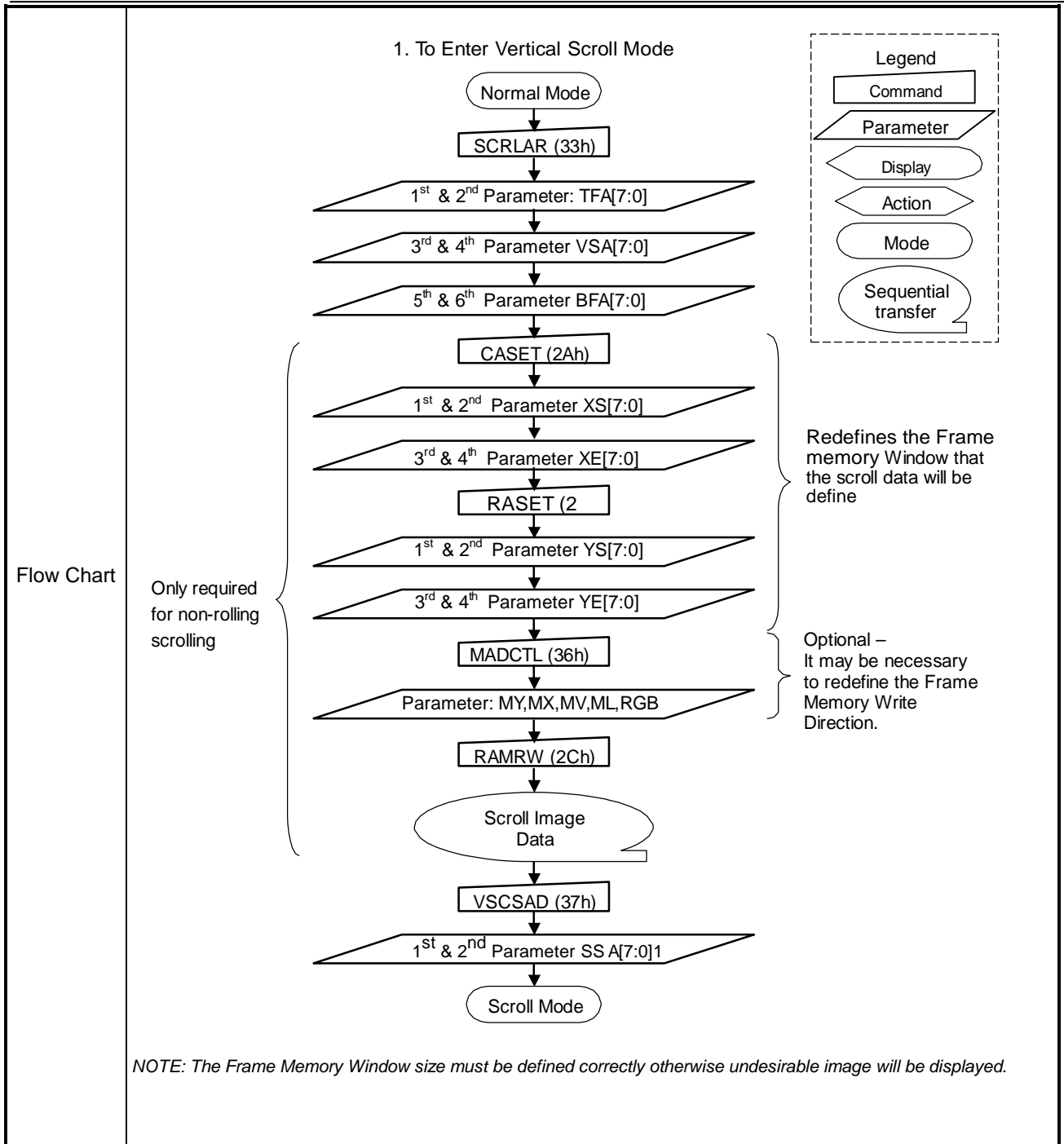
## 10.1.26 SCRLAR (33h): Scroll Area

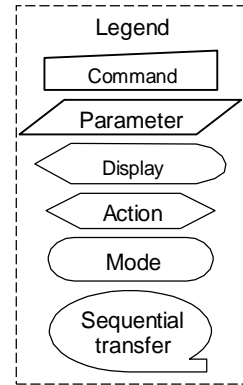
33H	SCRLAR (Scroll Area)												(Code)
Inst / Para	D/CX	WRX	RDX	D17-8	D7	D6	D5	D4	D3	D2	D1	D0	(Code)
PTLAR	0	↑	1	-	0	0	1	1	0	0	1	1	(33h)
1 <sup>st</sup> Parameter	1	↑	1	-	-	-	-	-	-	-	-	-	
2 <sup>nd</sup> Parameter	1	↑	1	-	TFA 7	TFA 6	TFA 5	TFA 4	TFA 3	TFA 2	TFA 1	TFA 0	
3 <sup>rd</sup> Parameter	1	↑	1	-	-	-	-	-	-	-	-	-	
4 <sup>th</sup> Parameter	1	↑	1	-	VSA 7	VSA 6	VSA 5	VSA 4	VSA 3	VSA 2	VSA 1	VSA 0	
5 <sup>th</sup> Parameter	1	↑	1	-	-	-	-	-	-	-	-	-	
6 <sup>th</sup> Parameter	1	↑	1	-	BFA 7	BFA 6	BFA 5	BFA 4	BFA 3	BFA 2	BFA 1	BFA 0	

NOTE: "-" Don't care, can be set to VDDI or DGND level

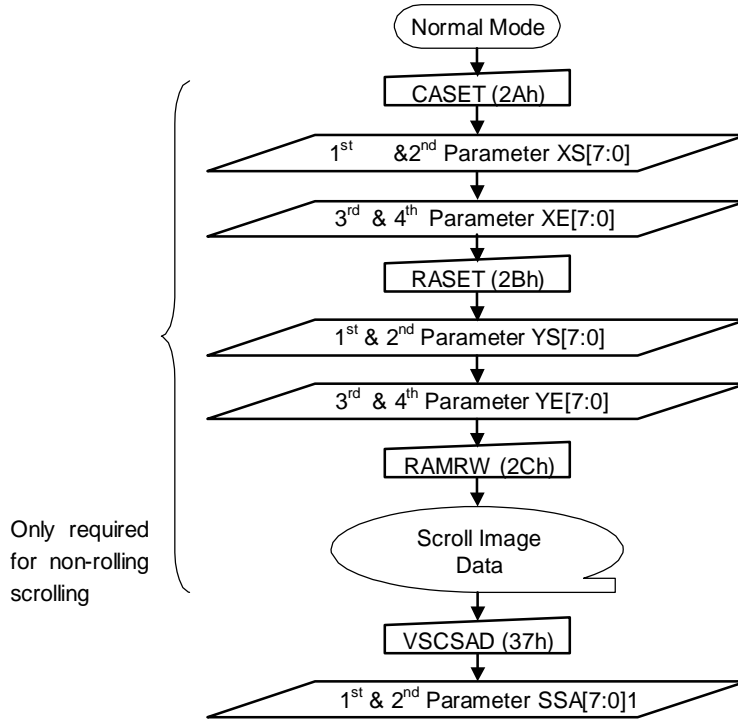
Description	<p>-This command defines the Vertical Scrolling Area of the display. When MADCTL ML=0</p> <ul style="list-style-type: none"> <li>- The 1<sup>st</sup> &amp; 2<sup>nd</sup> parameter TFA [7:0] describes the Top Fixed Area (in No. of lines from Top of the Frame Memory and Display).</li> <li>- The 3<sup>rd</sup> &amp; 4<sup>th</sup> parameter VSA [7:0] describes the height of the Vertical Scrolling Area (in No. of lines of the Frame Memory [not the display] from the Vertical Scrolling Start Address)</li> <li>- The first line appears immediately after the bottom most line of the Top Fixed Area.</li> <li>- The 5<sup>th</sup> &amp; 6<sup>th</sup> parameter BFA [7:0] describes the Bottom Fixed Area (in No. of lines from Bottom of the Frame Memory and Display).</li> <li>- TFA, VSA and BFA refer to the Frame Memory row address.</li> </ul> 																			
	<p>When MADCTL ML=1</p> <ul style="list-style-type: none"> <li>- The 1<sup>st</sup> &amp; 2<sup>nd</sup> parameter TFA [7:0] describes the Top Fixed Area (in No. of lines from Bottom of the Frame Memory and Display).</li> <li>- The 3<sup>rd</sup> &amp; 4<sup>th</sup> parameter VSA [7:0] describes the height of the Vertical Scrolling Area (in No. of lines of the Frame Memory [not the display] from the Vertical Scrolling Start Address)</li> <li>- The first line appears immediately after the top most line of the Top Fixed Area.</li> <li>- The 5<sup>th</sup> &amp; 6<sup>th</sup> parameter BFA [7:0] describes the Bottom Fixed Area (in No. of lines from Top of the Frame Memory and Display).</li> </ul> 																			
	<p>See Section 9.10.4 for details of the Memory to Display Mapping.</p> <p>-The condition is <math>0 \leq (TFA+VSA+BFA) \leq 132</math>, otherwise Scrolling mode is undefined.</p> <p>-In Vertical Scroll Mode, MADCTL parameter MV should be set to '0'-this only affects the Frame Memory Write.</p>																			
Default	<table border="1"> <thead> <tr> <th rowspan="2">tatus</th> <th colspan="3">Default Value</th> </tr> <tr> <th>TFA [15:0]</th> <th>VSA [15:0]</th> <th>BFA [15:0]</th> </tr> </thead> <tbody> <tr> <td>Power On Sequence</td> <td>0000h</td> <td>0083h</td> <td>0000h</td> </tr> <tr> <td>S/W Reset</td> <td>0000h</td> <td>0083h</td> <td>0000h</td> </tr> <tr> <td>H/W Reset</td> <td>0000h</td> <td>0083h</td> <td>0000h</td> </tr> </tbody> </table>	tatus	Default Value			TFA [15:0]	VSA [15:0]	BFA [15:0]	Power On Sequence	0000h	0083h	0000h	S/W Reset	0000h	0083h	0000h	H/W Reset	0000h	0083h	0000h
tatus	Default Value																			
	TFA [15:0]	VSA [15:0]	BFA [15:0]																	
Power On Sequence	0000h	0083h	0000h																	
S/W Reset	0000h	0083h	0000h																	
H/W Reset	0000h	0083h	0000h																	



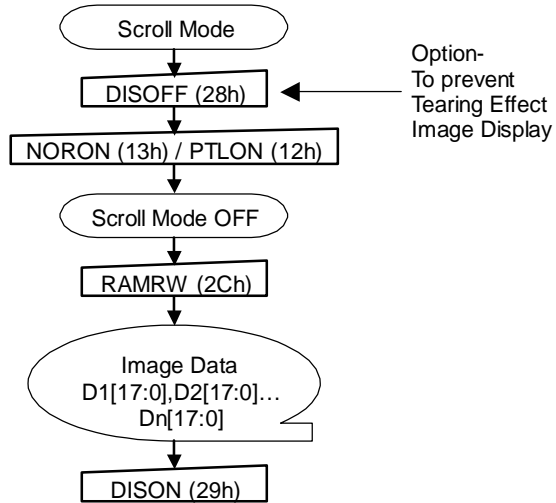




2. Continuous Scroll



3. To Exit Vertical Scroll Mode



NOTE: Scroll Mode can be exit by both the Normal Display Mode On (13h) and Partial Mode On (12h) commands.

# ST7713

## 10.1.27 TEOFF (34h): Tearing Effect Line OFF

34H	TEOFF (Tearing Effect Line OFF)												
Inst / Para	D/CX	WRX	RDX	D17-8	D7	D6	D5	D4	D3	D2	D1	D0	(Code)
TEOFF	0	↑	1	-	0	0	1	1	0	1	0	0	(34h)
1st Parameter	No Parameter												-

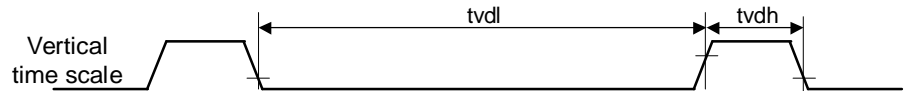

NOTE: "-" Don't care, can be set to VDDI or DGND level

Description	-This command is used to turn OFF (Active Low) the Tearing Effect output signal from the TE signal line.	
Default	Status	Default Value
	Power On Sequence	OFF
	S/W Reset	OFF
	H/W Reset	OFF

## 10.1.28 TEON (35h): Tearing Effect Line ON

35H	TEON (Tearing Effect Line ON)												
Inst / Para	D/CX	WRX	RDX	D17-8	D7	D6	D5	D4	D3	D2	D1	D0	(Code)
TEON	0	↑	1	-	0	0	1	1	0	1	0	1	(35h)
1st Parameter	1	↑	1	-	0	0	0	0	0	0	0	TELOM	

NOTE: "-" Don't care, can be set to VDDI or DGND level

Description	<p>-This command is used to turn ON the Tearing Effect output signal from the TE signal line.</p> <p>-This output is not affected by changing MADCTL bit ML.</p> <p>-The Tearing Effect Line On has one parameter, which describes the mode of the Tearing Effect Output Line. ("-="Don't Care).</p> <p>—When TELOM='0':</p> <p>The Tearing Effect Output line consists of V-Blanking information only.</p>  <p>Vertical time scale</p>	
	<p>—When TELOM='1':</p> <p>The Tearing Effect Output line consists of both V-Blanking and H-Blanking information.</p>  <p>Vertical time scale</p>	
<p>Note: During Sleep In Mode with Tearing Effect Line On, Tearing Effect Output pin will be active Low.</p>		
Default	Status	Default Value
	Power On Sequence	Tearing effect off & TELOM=0
	S/W Reset	Tearing effect off & TELOM=0
	H/W Reset	Tearing effect off & TELOM=0

# ST7713

## 10.1.29 MADCTL (36h): Memory Data Access Control

36H	MADCTL (Memory Data Access Control)												(Code)
Inst / Para	D/CX	WRX	RDX	D17-8	D7	D6	D5	D4	D3	D2	D1	D0	(Code)
MADCTL	0	↑	1	-	0	0	1	1	0	1	1	0	(36h)
1st Parameter	1	↑	1	-	MY	MX	MV	ML	RGB	-	-	-	

NOTE: "-" Don't care, can be set to VDDI or DGND level

-This command defines read/ write scanning direction of frame memory.  
-Bit Assignment

Bit	NAME	DESCRIPTION
MY	Row Address Order	These 3bits controls MCU to memory write/read direction. (See Section 9.12)
MX	Column Address Order	
MV	Row/Column Exchange	
ML	Vertical Refresh Order	LCD vertical refresh direction control '0' = LCD vertical refresh Top to Bottom '1' = LCD vertical refresh Bottom to Top
RGB	RGB-BGR ORDER	Color selector switch control '0' =RGB color filter panel, '1' =BGR color filter panel)

**ML: Vertical Refresh Order**

**RGB: RGB-BGR Order**

**Default**

Status	Default Value
Power On Sequence	MY=0,MX=0,MV=0,ML=0,RGB=0
S/W Reset	No Change
H/W Reset	MY=0,MX=0,MV=0,ML=0,RGB=0

## 10.1.30 VSCSAD (37h): Vertical Scroll Start Address of RAM

37H	VSCSAD (Vertical Scroll Start Address of RAM)												(Code)
Inst / Para	D/CX	WRX	RDX	D17-8	D7	D6	D5	D4	D3	D2	D1	D0	(Code)
VSCSAD	0	↑	1	-	0	0	1	1	0	1	1	1	(37h)
1st Parameter	1	↑	1	-	-	-	-	-	-	-	-	-	
2nd Parameter	1	↑	1		SSA7	SSA6	SSA5	SSA4	SSA3	SSA2	SSA1	SSA0	

Note: "-" Don't care, can be set to VDDI or DGND level

Description	<p>-This command is used together with Vertical Scrolling Definition (33h). These two commands describe the scrolling area and the scrolling mode.</p> <p>-The Vertical Scrolling Start Address command has one parameter which describes which line in the Frame Memory will be written as the first line after the last line of the Top Fixed Area on the display as illustrated below:</p> <p>-This command Start the scrolling.</p> <p>-Exit from V-scrolling mode by commands Partial mode On (12h) or Normal mode On (13h).</p> <p><b>When MADCTL ML= '0'</b></p> <p>Example:</p> <ul style="list-style-type: none"> <li>When Top Fixed Area=Bottom Fixed Area=00, Vertical Scrolling Area=130 and Vertical Scrolling Pointer SSA= '3'.</li> </ul> <p>(Example)</p>												
	<p><b>When MADCTL ML = '1'</b></p> <p>Example:</p> <ul style="list-style-type: none"> <li>When Top Fixed Area= Bottom Fixed Area=00, Vertical Scrolling Area=130 and SSA= '3'</li> </ul> <p>(Example)</p>												
	<p><b>NOTE:</b> -When new Pointer position and Picture Data are sent, the result on the display will happen at the next Panel Scan to avoid tearing effect.</p> <p>-SSA refers to the Frame Memory scan address.</p>												
Register Availability	<table border="1"> <thead> <tr> <th>Status</th> <th>Availability</th> </tr> </thead> <tbody> <tr> <td>Normal Mode On, Idle Mode Off, Sleep Out</td> <td>Yes</td> </tr> <tr> <td>Normal Mode On, Idle Mode On, Sleep Out</td> <td>Yes</td> </tr> <tr> <td>Partial Mode On, Idle Mode Off, Sleep Out</td> <td>No</td> </tr> <tr> <td>Partial Mode On, Idle Mode On, Sleep Out</td> <td>No</td> </tr> <tr> <td>Sleep In</td> <td>Yes</td> </tr> </tbody> </table>	Status	Availability	Normal Mode On, Idle Mode Off, Sleep Out	Yes	Normal Mode On, Idle Mode On, Sleep Out	Yes	Partial Mode On, Idle Mode Off, Sleep Out	No	Partial Mode On, Idle Mode On, Sleep Out	No	Sleep In	Yes
	Status	Availability											
	Normal Mode On, Idle Mode Off, Sleep Out	Yes											
	Normal Mode On, Idle Mode On, Sleep Out	Yes											
	Partial Mode On, Idle Mode Off, Sleep Out	No											
Partial Mode On, Idle Mode On, Sleep Out	No												
Sleep In	Yes												
Default	<table border="1"> <thead> <tr> <th>Status</th> <th>Default Value</th> </tr> </thead> <tbody> <tr> <td>Power On Sequence</td> <td>0000h</td> </tr> <tr> <td>S/W Reset</td> <td>0000h</td> </tr> <tr> <td>H/W Reset</td> <td>0000h</td> </tr> </tbody> </table>	Status	Default Value	Power On Sequence	0000h	S/W Reset	0000h	H/W Reset	0000h				
	Status	Default Value											
	Power On Sequence	0000h											
	S/W Reset	0000h											
H/W Reset	0000h												

# ST7713

## 10.1.31 IDMOFF (38h): Idle Mode Off

38H	IDMOFF (Idle Mode Off)												(Code)
Inst / Para	D/CX	WRX	RDX	D17-8	D7	D6	D5	D4	D3	D2	D1	D0	(Code)
IDMOFF	0	↑	1	-	0	0	1	1	1	0	0	0	(38h)
1st Parameter	No Parameter												-

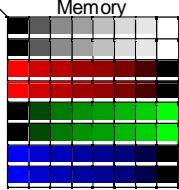
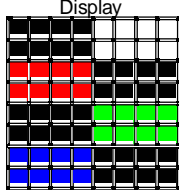
NOTE: "-" Don't care, can be set to VDDI or DGND level

Description	-This command is used to recover from Idle mode on.	
	-In the idle off mode, 1. LCD can display 4096, 65k or 262k colors. 2. Normal frame frequency is applied.	
Default	Status	Default Value
	Power On Sequence	Idle Mode Off
	S/W Reset	Idle Mode Off
	H/W Reset	Idle Mode Off

## 10.1.32 IDMON (39h): Idle Mode On

39H	IDMON (Idle Mode On)												(Code)
Inst / Para	D/CX	WRX	RDX	D17-8	D7	D6	D5	D4	D3	D2	D1	D0	(Code)
IDMON	0	↑	1	-	0	0	1	1	1	0	0	1	(39h)
1st Parameter	No Parameter												-

NOTE: "-" Don't care, can be set to VDDI or DGND level

Description	-This command is used to enter into Idle mode on.			
	-There will be no abnormal visible effect on the display mode change transition.			
Description	-In the idle on mode, 1. Color expression is reduced. The primary and the secondary colors using MSB of each R,G and B in the Frame Memory, 8 color depth data is displayed. 2. 8-Color mode frame frequency is applied. 3. Exit from IDMON by Idle Mode Off (38h) command			
	<div style="display: flex; align-items: center; justify-content: center;"> <div style="text-align: center;"> <p>Top-Left (0,0)</p>  <p>Memory</p> </div> <div style="margin: 0 20px;">→</div> <div style="text-align: center;"> <p>(Example)</p>  <p>Display</p> </div> </div>			
	<b>Color</b>	<b>R<sub>5</sub> R<sub>4</sub> R<sub>3</sub> R<sub>2</sub> R<sub>1</sub> R<sub>0</sub></b>	<b>G<sub>5</sub> G<sub>4</sub> G<sub>3</sub> G<sub>2</sub> G<sub>1</sub> G<sub>0</sub></b>	<b>B<sub>5</sub> B<sub>4</sub> B<sub>3</sub> B<sub>2</sub> B<sub>1</sub> B<sub>0</sub></b>
	Black	0xxxxx	0xxxxx	0xxxxx
	Blue	0xxxxx	0xxxxx	1xxxxx
	Red	1xxxxx	0xxxxx	0xxxxx
	Magenta	1xxxxx	0xxxxx	1xxxxx
	Green	0xxxxx	1xxxxx	0xxxxx
	Cyan	0xxxxx	1xxxxx	1xxxxx
	Yellow	1xxxxx	1xxxxx	0xxxxx
	White	1xxxxx	1xxxxx	1xxxxx

www.DataSheet4U.com

# ST7713

Register Availability	Status		Availability
	Normal Mode On, Idle Mode Off, Sleep Out		Yes
	Normal Mode On, Idle Mode On, Sleep Out		Yes
	Partial Mode On, Idle Mode Off, Sleep Out		No
	Partial Mode On, Idle Mode On, Sleep Out		No
Sleep In		Yes	
Default	Status		Default Value
	Power On Sequence		Idle Mode Off
	S/W Reset		Idle Mode Off
	H/W Reset		Idle Mode Off

## 10.1.33 COLMOD (3Ah): Interface Pixel Format

3AH	COLMOD (3Ah): Interface Pixel Format												(Code)
Inst / Para	D/CX	WRX	RDX	D17-8	D7	D6	D5	D4	D3	D2	D1	D0	(Code)
COLMOD	0	↑	1	-	0	0	1	1	1	0	1	0	(3Ah)
1st Parameter	1	↑	1	-	VIPF3	VIPF2	VIPF1	VIPF0	-	IFPF2	IFPF1	IFPF0	

NOTE: "-" Don't care, can be set to VDDI or DGND level

Description	This command is used to define the format of RGB picture data, which is to be transferred via the MCU interface and RGB interface. The formats are shown in the table:											
	<table border="1"> <thead> <tr> <th>IFPF[2:0]</th> <th>MCU Interface Color Format</th> </tr> </thead> <tbody> <tr> <td>011</td> <td>3 12-bit/pixel</td> </tr> <tr> <td>101</td> <td>5 16-bit/pixel</td> </tr> <tr> <td>110</td> <td>6 18-bit/pixel</td> </tr> <tr> <td>111</td> <td>7 No used</td> </tr> </tbody> </table>		IFPF[2:0]	MCU Interface Color Format	011	3 12-bit/pixel	101	5 16-bit/pixel	110	6 18-bit/pixel	111	7 No used
	IFPF[2:0]	MCU Interface Color Format										
	011	3 12-bit/pixel										
	101	5 16-bit/pixel										
	110	6 18-bit/pixel										
	111	7 No used										
	Others are no define and invalid											
	<table border="1"> <thead> <tr> <th>VIFPF[2:0]</th> <th>RGB Interface Color Format</th> </tr> </thead> <tbody> <tr> <td>0101</td> <td>5 16-bit/pixel (1-times data transfer)</td> </tr> <tr> <td>0110</td> <td>6 18-bit/pixel (1-times data transfer)</td> </tr> <tr> <td>0111</td> <td>7 No used</td> </tr> <tr> <td>1110</td> <td>14 18-bit/pixel (3-times data transfer)</td> </tr> </tbody> </table>		VIFPF[2:0]	RGB Interface Color Format	0101	5 16-bit/pixel (1-times data transfer)	0110	6 18-bit/pixel (1-times data transfer)	0111	7 No used	1110	14 18-bit/pixel (3-times data transfer)
	VIFPF[2:0]	RGB Interface Color Format										
0101	5 16-bit/pixel (1-times data transfer)											
0110	6 18-bit/pixel (1-times data transfer)											
0111	7 No used											
1110	14 18-bit/pixel (3-times data transfer)											
Others are no define and invalid												
<p>Note1: In 12-bit/Pixel, 16-bit/Pixel or 18-bit/Pixel mode, the LUT is applied to transfer data into the Frame Memory.</p> <p>Note2: When RGB I/F the 12-bit/pixel don't care</p> <p>Note3: When VIPF[3:0]="1110", 6-bit data width of 3-times transfer is used to transmit 1 pixel data with the 18-bit color depth information.</p> <p>Note4: The Command 3Ah should be set at 55h when writing 16-bit/pixel data into frame memory, but 3Ah should be re-set to 66h when reading pixel data from frame memory. Please check the LUT in chapter 9.19 when using memory read function.</p>												
Register Availability	Status		Availability									
	Normal Mode On, Idle Mode Off, Sleep Out		Yes									
	Normal Mode On, Idle Mode On, Sleep Out		Yes									
	Partial Mode On, Idle Mode Off, Sleep Out		No									
	Partial Mode On, Idle Mode On, Sleep Out		No									
Sleep In		Yes										
Default	Status		Default Value									
			IFPF[2:0] VIPF[3:0]									
	Power On Sequence		0110(18-bit/Pixel) 0110(18-bit/Pixel)									
	S/W Reset		No Change No Change									
H/W Reset		0110(18-bit/Pixel) 0110(18-bit/Pixel)										

# ST7713

## 10.1.34 RDID1 (DAh): Read ID1 Value

DAH	RDID1 (Read ID1 Value)												
Inst / Para	D/CX	WRX	RDX	D17-8	D7	D6	D5	D4	D3	D2	D1	D0	(Code)
RDID1	0	↑	1	-	1	1	0	1	1	0	1	0	(DAh)
1st Parameter	1	1	↑	-	-	-	-	-	-	-	-	-	-
2nd Parameter	1	1	↑	-	ID17	ID16	ID15	ID14	ID13	ID12	ID11	ID10	

NOTE: "-" Don't care, can be set to VDDI or DGND level

Description	<p>-This read byte returns 8-bit LCD module's manufacturer ID                      -The 1<sup>st</sup> parameter is dummy data                      -The 2<sup>nd</sup> parameter (ID17 to ID10): LCD module's manufacturer ID.                      NOTE: See command RDDID (04h), 2<sup>nd</sup> parameter.</p>													
Register Availability	<table border="1"> <thead> <tr> <th>Status</th> <th>Availability</th> </tr> </thead> <tbody> <tr> <td>Normal Mode On, Idle Mode Off, Sleep Out</td> <td>Yes</td> </tr> <tr> <td>Normal Mode On, Idle Mode On, Sleep Out</td> <td>Yes</td> </tr> <tr> <td>Partial Mode On, Idle Mode Off, Sleep Out</td> <td>No</td> </tr> <tr> <td>Partial Mode On, Idle Mode On, Sleep Out</td> <td>No</td> </tr> <tr> <td>Sleep In</td> <td>Yes</td> </tr> </tbody> </table>	Status	Availability	Normal Mode On, Idle Mode Off, Sleep Out	Yes	Normal Mode On, Idle Mode On, Sleep Out	Yes	Partial Mode On, Idle Mode Off, Sleep Out	No	Partial Mode On, Idle Mode On, Sleep Out	No	Sleep In	Yes	
Status	Availability													
Normal Mode On, Idle Mode Off, Sleep Out	Yes													
Normal Mode On, Idle Mode On, Sleep Out	Yes													
Partial Mode On, Idle Mode Off, Sleep Out	No													
Partial Mode On, Idle Mode On, Sleep Out	No													
Sleep In	Yes													
Default	<table border="1"> <thead> <tr> <th>Status</th> <th>Default Value</th> </tr> </thead> <tbody> <tr> <td>Power On Sequence</td> <td>-</td> </tr> <tr> <td>S/W Reset</td> <td>-</td> </tr> <tr> <td>H/W Reset</td> <td>-</td> </tr> </tbody> </table>	Status	Default Value	Power On Sequence	-	S/W Reset	-	H/W Reset	-					
Status	Default Value													
Power On Sequence	-													
S/W Reset	-													
H/W Reset	-													

## 10.1.35 RDID2 (DBh): Read ID2 Value

DBH	RDID2 (Read ID2 Value)												
Inst / Para	D/CX	WRX	RDX	D17-8	D7	D6	D5	D4	D3	D2	D1	D0	(Code)
RDID2	0	↑	1	-	1	1	0	1	1	0	1	1	(DBh)
1st Parameter	1	1	↑	-	-	-	-	-	-	-	-	-	-
2nd Parameter	1	1	↑	-	1	ID26	ID25	ID24	ID23	ID22	ID21	ID20	

NOTE: "-" Don't care, can be set to VDDI or DGND level

Description	<p>-This read byte returns 8-bit LCD module/driver version ID                      -The 1<sup>st</sup> parameter is dummy data                      -The 2<sup>nd</sup> parameter (ID26 to ID20): LCD module/driver version ID                      -Parameter Range: ID=80h to FFh</p> <table border="1"> <thead> <tr> <th>ID26 to ID20</th> <th>Version</th> <th>Changes</th> </tr> </thead> <tbody> <tr> <td>80h</td> <td></td> <td></td> </tr> <tr> <td>81h</td> <td></td> <td></td> </tr> <tr> <td>82h</td> <td></td> <td></td> </tr> <tr> <td>83h</td> <td></td> <td></td> </tr> </tbody> </table> <p>NOTE: See command RDDID (04h), 3<sup>rd</sup> parameter.</p>		ID26 to ID20	Version	Changes	80h			81h			82h			83h		
ID26 to ID20	Version	Changes															
80h																	
81h																	
82h																	
83h																	
Register Availability	<table border="1"> <thead> <tr> <th>Status</th> <th>Availability</th> </tr> </thead> <tbody> <tr> <td>Normal Mode On, Idle Mode Off, Sleep Out</td> <td>Yes</td> </tr> <tr> <td>Normal Mode On, Idle Mode On, Sleep Out</td> <td>Yes</td> </tr> <tr> <td>Partial Mode On, Idle Mode Off, Sleep Out</td> <td>No</td> </tr> <tr> <td>Partial Mode On, Idle Mode On, Sleep Out</td> <td>No</td> </tr> <tr> <td>Sleep In</td> <td>Yes</td> </tr> </tbody> </table>	Status	Availability	Normal Mode On, Idle Mode Off, Sleep Out	Yes	Normal Mode On, Idle Mode On, Sleep Out	Yes	Partial Mode On, Idle Mode Off, Sleep Out	No	Partial Mode On, Idle Mode On, Sleep Out	No	Sleep In	Yes				
Status	Availability																
Normal Mode On, Idle Mode Off, Sleep Out	Yes																
Normal Mode On, Idle Mode On, Sleep Out	Yes																
Partial Mode On, Idle Mode Off, Sleep Out	No																
Partial Mode On, Idle Mode On, Sleep Out	No																
Sleep In	Yes																
Default	<table border="1"> <thead> <tr> <th>Status</th> <th>Default Value</th> </tr> </thead> <tbody> <tr> <td>Power On Sequence</td> <td>80h</td> </tr> <tr> <td>S/W Reset</td> <td>80h</td> </tr> <tr> <td>H/W Reset</td> <td>80h</td> </tr> </tbody> </table>	Status	Default Value	Power On Sequence	80h	S/W Reset	80h	H/W Reset	80h								
Status	Default Value																
Power On Sequence	80h																
S/W Reset	80h																
H/W Reset	80h																



# ST7713

## 10.1.36 RDID3 (DCh): Read ID3 Value

DCH	RDID3 (Read ID2 Value)												
Inst / Para	D/CX	WRX	RDX	D17-8	D7	D6	D5	D4	D3	D2	D1	D0	(Code)
RDID3	0	↑	1	-	1	1	0	1	1	1	0	0	(DCh)
1st Parameter	1	1	↑	-	-	-	-	-	-	-	-	-	-
2nd Parameter	1	1	↑	-	ID37	ID36	ID35	ID34	ID33	ID32	ID31	ID30	

NOTE: "-" Don't care, can be set to VDDI or DGND level

Description	<p>-This read byte returns 8-bit LCD module/driver ID.                      -The 1<sup>st</sup> parameter is dummy data                      -The 2<sup>nd</sup> parameter (ID37 to ID30): LCD module/driver ID.                      NOTE: See command RDDID (04h), 4<sup>th</sup> parameter.</p>													
Register Availability	<table border="1"> <thead> <tr> <th>Status</th> <th>Availability</th> </tr> </thead> <tbody> <tr> <td>Normal Mode On, Idle Mode Off, Sleep Out</td> <td>Yes</td> </tr> <tr> <td>Normal Mode On, Idle Mode On, Sleep Out</td> <td>Yes</td> </tr> <tr> <td>Partial Mode On, Idle Mode Off, Sleep Out</td> <td>No</td> </tr> <tr> <td>Partial Mode On, Idle Mode On, Sleep Out</td> <td>No</td> </tr> <tr> <td>Sleep In</td> <td>Yes</td> </tr> </tbody> </table>	Status	Availability	Normal Mode On, Idle Mode Off, Sleep Out	Yes	Normal Mode On, Idle Mode On, Sleep Out	Yes	Partial Mode On, Idle Mode Off, Sleep Out	No	Partial Mode On, Idle Mode On, Sleep Out	No	Sleep In	Yes	
Status	Availability													
Normal Mode On, Idle Mode Off, Sleep Out	Yes													
Normal Mode On, Idle Mode On, Sleep Out	Yes													
Partial Mode On, Idle Mode Off, Sleep Out	No													
Partial Mode On, Idle Mode On, Sleep Out	No													
Sleep In	Yes													
Default	<table border="1"> <thead> <tr> <th>Status</th> <th>Default Value</th> </tr> </thead> <tbody> <tr> <td>Power On Sequence</td> <td>00h</td> </tr> <tr> <td>S/W Reset</td> <td>00h</td> </tr> <tr> <td>H/W Reset</td> <td>00h</td> </tr> </tbody> </table>	Status	Default Value	Power On Sequence	00h	S/W Reset	00h	H/W Reset	00h					
Status	Default Value													
Power On Sequence	00h													
S/W Reset	00h													
H/W Reset	00h													

## 10.2.1 RGBCTR (B0h): RGB signal control

B0H	RGBCTR (RGB signal control)												
Inst / Para	D/CX	WRX	RDX	D17-8	D7	D6	D5	D4	D3	D2	D1	D0	(Code)
RGBCTR	0	↑	1	-	1	0	1	1	0	0	0	0	(B0h)
1st Parameter	1	↑	1	-	0	0	DISSW	ICM	DP	EP	HSP	VSP	

NOTE: "-" Don't care

Description	<p>-Set the operation status on the RGB interface. The setting becomes effective as soon as the command is received.                      -ICM: GRAM Write/Read frequency and data input select on the RGB interface</p> <table border="1"> <thead> <tr> <th>ICM</th> <th colspan="3">Write/ Read frequency and input data select</th> </tr> <tr> <td></td> <td>Write cycle</td> <td>Read cycle</td> <td>Data input</td> </tr> </thead> <tbody> <tr> <td>0</td> <td>PCLK</td> <td>PCLK</td> <td>D[17:0]</td> </tr> <tr> <td>1</td> <td>SCL</td> <td>Internal oscillator</td> <td>SDA</td> </tr> </tbody> </table> <table border="1"> <thead> <tr> <th>Symbol</th> <th>Name</th> <th>Clock polarity set for RGB Interface</th> </tr> </thead> <tbody> <tr> <td>DP</td> <td>PCLK polarity set</td> <td>'1' = data fetched at the falling edge '0' = data fetched at the rising edge</td> </tr> <tr> <td>EP</td> <td>Enable polarity set</td> <td>'1' = Low enable for RGB interface '0' = High enable for RGB interface</td> </tr> <tr> <td>HSP</td> <td>Hsync polarity set</td> <td>'1' = High level sync clock '0' = Low level sync clock</td> </tr> <tr> <td>VSP</td> <td>Vsync polarity set</td> <td>'1' = High level sync clock '0' = Low level sync clock</td> </tr> <tr> <td>DISSW</td> <td>Disable S/W</td> <td>'1' = Disable S/W control '0' = Enable S/W control</td> </tr> </tbody> </table>		ICM	Write/ Read frequency and input data select				Write cycle	Read cycle	Data input	0	PCLK	PCLK	D[17:0]	1	SCL	Internal oscillator	SDA	Symbol	Name	Clock polarity set for RGB Interface	DP	PCLK polarity set	'1' = data fetched at the falling edge '0' = data fetched at the rising edge	EP	Enable polarity set	'1' = Low enable for RGB interface '0' = High enable for RGB interface	HSP	Hsync polarity set	'1' = High level sync clock '0' = Low level sync clock	VSP	Vsync polarity set	'1' = High level sync clock '0' = Low level sync clock	DISSW	Disable S/W	'1' = Disable S/W control '0' = Enable S/W control
ICM	Write/ Read frequency and input data select																																			
	Write cycle	Read cycle	Data input																																	
0	PCLK	PCLK	D[17:0]																																	
1	SCL	Internal oscillator	SDA																																	
Symbol	Name	Clock polarity set for RGB Interface																																		
DP	PCLK polarity set	'1' = data fetched at the falling edge '0' = data fetched at the rising edge																																		
EP	Enable polarity set	'1' = Low enable for RGB interface '0' = High enable for RGB interface																																		
HSP	Hsync polarity set	'1' = High level sync clock '0' = Low level sync clock																																		
VSP	Vsync polarity set	'1' = High level sync clock '0' = Low level sync clock																																		
DISSW	Disable S/W	'1' = Disable S/W control '0' = Enable S/W control																																		
Default	<table border="1"> <thead> <tr> <th>Status</th> <th colspan="2">Default Value</th> </tr> </thead> <tbody> <tr> <td></td> <td>ICM</td> <td>DP/EP/HSP/VSP</td> </tr> <tr> <td>Power On Sequence</td> <td>0d</td> <td>0d/0d/0d/0d</td> </tr> <tr> <td>S/W Reset</td> <td>0d</td> <td>0d/0d/0d/0d</td> </tr> <tr> <td>H/W Reset</td> <td>0d</td> <td>0d/0d/0d/0d</td> </tr> </tbody> </table>	Status	Default Value			ICM	DP/EP/HSP/VSP	Power On Sequence	0d	0d/0d/0d/0d	S/W Reset	0d	0d/0d/0d/0d	H/W Reset	0d	0d/0d/0d/0d																				
Status	Default Value																																			
	ICM	DP/EP/HSP/VSP																																		
Power On Sequence	0d	0d/0d/0d/0d																																		
S/W Reset	0d	0d/0d/0d/0d																																		
H/W Reset	0d	0d/0d/0d/0d																																		

# ST7713

## 10.2.2 FRMCTR1 (B1h): Frame Rate Control (In normal mode/ Full colors)

B1H		FRMCTR1 (Frame Rate Control)											
Inst / Para	D/CX	WRX	RDX	D17-8	D7	D6	D5	D4	D3	D2	D1	D0	(Code)
FRMCTR1	0	↑	1	-	1	0	1	1	0	0	0	1	(B1h)
1st Parameter	1	↑	1	-					RTNA3	RTNA2	RTNA1	RTNA0	-
2nd Parameter	1	↑	1	-					FPA3	FPA2	FPA1	FPA0	-
3rd Parameter	1	↑	1	-					BPA3	BPA2	BPA1	BPA0	-

NOTE: "-" Don't care

Description	-Set the frame frequency of the full colors normal mode. - Frame rate=fosc/((RTNA + 18) x (LINE + FPA + BPA)) - 1 < FPA(front porch) + BPA(back porch)<=22												
	Default	Status						Default Value					
Power On Sequence						06h/03h/02h							
S/W Reset						06h/03h/02h							
H/W Reset						06h/03h/02h							

## 10.2.3 FRMCTR2 (B2h): Frame Rate Control (In Idle mode/ 8-colors)

B2H		FRMCTR2 (Frame Rate Control)											
Inst / Para	D/CX	WRX	RDX	D17-8	D7	D6	D5	D4	D3	D2	D1	D0	(Code)
FRMCTR2	0	↑	1	-	1	0	1	1	0	0	1	0	(B2h)
1st Parameter	1	↑	1	-					RTNB3	RTNB2	RTNB1	RTNB0	-
2nd Parameter	1	↑	1	-					FPB3	FPB2	FPB1	FPB0	-
3rd Parameter	1	↑	1	-					BPB3	BPB2	BPB1	BPB0	-

NOTE: "-" Don't care

Description	-Set the frame frequency of the Idle mode. - Frame rate=fosc/((RTNB + 18) x (LINE + FPB + BPB)) - 1 < FPB(front porch) + BPB(back porch)<=22												
	Default	Status						Default Value					
Power On Sequence						06h/03h/02h							
S/W Reset						06h/03h/02h							
H/W Reset						06h/03h/02h							

## 10.2.4 FRMCTR3 (B3h): Frame Rate Control (In Partial mode/ full colors)

B3H		FRMCTR3 (Frame Rate Control)											
Inst / Para	D/CX	WRX	RDX	D17-8	D7	D6	D5	D4	D3	D2	D1	D0	(Code)
FRMCTR3	0	↑	1	-	1	0	1	1	0	0	1	1	(B3h)
1st Parameter	1	↑	1	-					RTNC3	RTNC2	RTNC1	RTNC0	-
2nd Parameter	1	↑	1	-					FPC3	FPC2	FPC1	FPC0	-
3rd Parameter	1	↑	1	-					BPC3	BPC2	BPC1	BPC0	-
4th Parameter	1	↑	1	-					RTND3	RTND2	RTND1	RTND0	-
5th Parameter	1	↑	1	-					FPD3	FPD2	FPD1	FPD0	-
6th Parameter	1	↑	1	-					BPD3	BPD2	BPD1	BPD0	-

NOTE: "-" Don't care

Description	-Set the frame frequency of the Partial mode/ full colors. - 1 <sup>st</sup> parameter to 3 <sup>rd</sup> parameter are used in line inversion mode. - 4 <sup>th</sup> parameter to 6 <sup>th</sup> parameter are used in frame inversion mode. - Frame rate=fosc/((RTNC + 18) x (LINE + FPC + BPC)) - 1 < FPC(front porch) + BPC(back porch)<=22												
	Default	Status						Default Value					
Power On Sequence						06h/03h/02h							
S/W Reset						06h/03h/02h							
H/W Reset						06h/03h/02h							

# ST7713

## 10.2.5 INVCTR (B4h): Display Inversion Control

B4H	INVCTR (Display Inversion Control)												
Inst / Para	D/CX	WRX	RDX	D17-8	D7	D6	D5	D4	D3	D2	D1	D0	(Code)
INVCTR	0	↑	1	-	1	0	1	1	0	1	0	0	(B4h)
1st Parameter	1	↑	1	-	0	0	0	0	0	NLA	NLB	NLC	02h

NOTE: “-“ Don't care

Description	-Display Inversion mode control					
	-NLA: Inversion setting in full colors normal mode (Normal mode on)					
	<b>NLA</b>		<b>Inversion setting in full Colors normal mode</b>			
	0		<b>Line Inversion</b>			
	1		Frame Inversion			
	-NLB: Inversion setting in Idle mode (Idle mode on)					
	<b>NLB</b>		<b>Inversion setting in Idle mode</b>			
	0		Line Inversion			
	1		<b>Frame Inversion</b>			
	-NLC: Inversion setting in full colors partial mode (Partial mode on / Idle mode off)					
<b>NLC</b>		<b>Inversion setting in full Colors partial mode</b>				
0		<b>Line Inversion</b>				
1		Frame Inversion				
Default	Status		Default Value			
			NLA	NLB	NLC	B4h
	Power On Sequence		0d	1d	0d	02h
	S/W Reset		0d	1d	0d	02h
	H/W Reset		0d	1d	0d	02h

## 10.2.6 RGBBPCTR (B5h): RGB Interface Blanking Porch setting

B5H	RGBPSET (RGB Interface Blanking Porch setting)												
Inst / Para	D/CX	WRX	RDX	D17-8	D7	D6	D5	D4	D3	D2	D1	D0	(Code)
RGBBPCTR	0	↑	1	-	1	0	1	1	0	1	0	1	(B5h)
1st Parameter	1	↑	1	-	-	-	-	-	-	-	-	-	-
2nd Parameter	1	↑	1	-	VBP7	VBP6	VBP5	VBP4	VBP3	VBP2	VBP1	VBP0	-
3rd Parameter	1	↑	1	-	-	-	-	-	-	-	-	HBP8	-
4th Parameter	1	↑	1	-	HBP7	HBP6	HBP5	HBP4	HBP3	HBP2	HBP1	HBP0	-

NOTE: “-“ Don't care

Description	-Set the blanking porch in the RGB interface												
	-VBP : Vertical back porch -HBP : Horizontal back porch												

## 10.2.7 DISSET5 (B6h): Display Function set 5

B6H	DISSET (Display Function set 5)												
Inst / Para	D/CX	WRX	RDX	D17-8	D7	D6	D5	D4	D3	D2	D1	D0	(Code)
DISSET5	0	↑	1	-	1	0	1	1	0	1	1	0	(B6h)
1st Parameter	1	↑	1	-	0	0	NO1	NO0	SDT1	SDT0	EQ1	EQ0	16h
2nd Parameter	1	↑	1	-	0	0	0	0	PTG1	PTG0	PT1	PT0	02h

NOTE: "-" Don't care

Description	-1 <sup>st</sup> parameter: Set output waveform relation.		-NO[1:0]: Set the amount of non-overlap of the gate output	
	<b>NO[1:0]</b>		Amount of non-overlap of the gate output	
			Refer the Internal oscillator	Refer the PCLK
	00	0	1 clock cycle	4 clock cycle
	01	1	4 clock cycle	16 clock cycle
	10	2	6 clock cycle	24 clock cycle
	11	3	8 clock cycle	32 clock cycle
	-SDT[1:0]: Set delay amount from gate signal falling edge of the source output.		-SDT[1:0]: Set the amount of non-overlap of the gate output	
	<b>SDT[1:0]</b>		Amount of non-overlap of the gate output	
			Refer the Internal oscillator	Refer the PCLK
00	0	1 clock cycle	4 clock cycle	
01	1	4 clock cycle	16 clock cycle	
10	2	6 clock cycle	24 clock cycle	
11	3	8 clock cycle	32 clock cycle	
-EQ[1:0]: Set the Equalizing period		-EQ[1:0]: Set the Equalizing period		
<b>EQ[1:0]</b>		Amount of non-overlap of the gate output		
		Refer the Internal oscillator	Refer the PCLK	
00	0	No EQ	No EQ	
01	1	2 clock cycle	4 clock cycle	
10	2	4 clock cycle	16 clock cycle	
11	3	6 clock cycle	24 clock cycle	
-2 <sup>nd</sup> parameter: Set the output waveform in non-display area.		-PTG[1:0]: Determine gate output in a non-display area in the partial mode		
<b>PTG[1:0]</b>		Gate output in a non-display area		
00	0	Normal scan		
01	1	Fix on VGL		
10	2	Fix on VGL		
11	3	Fix on VGL		
-PT[1:0]: Determine Source /VCOM output in a non-display area in the partial mode		-PT[1:0]: Determine Source /VCOM output in a non-display area in the partial mode		
<b>PT[1:0]</b>		Source output on non-display area	VCOM output on non-display area	
		Positive	Negative	
00	0	V63	V0	
01	1	V0	V63	
10	2	AGND	AGND	
11	3	Hi-z	Hi-z	

# ST7713

## 10.2.8 PWCTR1 (C0h): Power Control 1

C0H	PWCTR1 (Power Control 1)												
Inst / Para	D/CX	WRX	RDX	D17-8	D7	D6	D5	D4	D3	D2	D1	D0	(Code)
PWCTR1	0	↑	1	-	1	1	0	0	0	0	0	0	(C0h)
1st Parameter	1	↑	1	-	0	0	0	VRH4	VRH3	VRH2	VRH1	VRH0	
2nd Parameter	1	↑	1	-	0	0	0	0	0	VC2	VC1	VC0	

NOTE: “-“ Don't care

Description	-Set the GVDD and VCI1 voltage		
	VRH[4:0]		GVDD
	00000	0	5.00
	00001	1	4.75
	00010	2	4.70
	00011	3	4.65
	00100	4	4.60
	00101	5	4.55
	00110	6	4.50
	00111	7	4.45
	01000	8	4.40
	01001	9	4.35
	01010	10	4.30
	01011	11	4.25
	01100	12	4.20
	01101	13	4.15
	01110	14	4.10
	01111	15	4.05
	10000	16	4.00
	10001	17	3.95
	10010	18	3.90
	10011	19	3.85
	10100	20	3.80
	10101	21	3.75
	10110	22	3.70
	10111	23	3.65
	11000	24	3.60
	11001	25	3.55
	11010	26	3.50
	11011	27	3.45
	11100	28	3.40
	11101	29	3.35
	11110	30	3.25
	11111	31	3.00
	VC[2:0]		VCI1
	000	0	2.75
	001	1	2.70
	010	2	2.65
	011	3	2.60
	100	4	2.55
	101	5	2.50

# ST7713

## 10.2.9 PWCTR2 (C1h): Power Control 2

C1H	PWCTR2 (Power Control 2)												
Inst / Para	D/CX	WRX	RDX	D17-8	D7	D6	D5	D4	D3	D2	D1	D0	(Code)
PWCTR2	0	↑	1	-	1	1	0	0	0	0	0	1	(C1h)
1st Parameter	1	↑	1		0	0	0	0	0	BT2	BT1	BT0	

NOTE: “-“ Don't care

Description	-Set the AVDD, VCL, VGH and VGL supply power level												
	BT[2:0]		AVDD		VCL		VGHH		VGLL				
	000	0	2xVDD	5.49	-1xVDD	-2.74	4* VCI1	9.80	-3* VCI1	-7.35			
	001	1	2xVDD	5.49	-1xVDD	-2.74	4* VCI1	9.80	-4* VCI1	-9.80			
	010	2	2xVDD	5.49	-1xVDD	-2.74	5* VCI1	12.25	-3* VCI1	-7.35			
	011	3	2xVDD	5.49	-1xVDD	-2.74	5* VCI1	12.25	-4* VCI1	-9.80			
	100	4	2xVDD	5.49	-1xVDD	-2.74	5* VCI1	12.25	-5* VCI1	-12.25			
	101	5	2xVDD	5.49	-1xVDD	-2.74	6* VCI1	14.70	-3* VCI1	-7.35			
	110	6	2xVDD	5.49	-1xVDD	-2.74	6* VCI1	14.70	-4* VCI1	-9.80			
111	7	2xVDD	5.49	-1xVDD	-2.74	6* VCI1	14.70	-5* VCI1	-12.25				

Note: When VCI1=2.5V, VDD=2.8V, Set-up cycle 1 effective=98%, Set-up cycle 2 effective=98%,

## 10.2.10 PWCTR3 (C2h): Power Control 3 (in Normal mode/ Full colors)

C2H	PWCTR3 (Power Control 3)												
Inst / Para	D/CX	WRX	RDX	D17-8	D7	D6	D5	D4	D3	D2	D1	D0	(Code)
PWCTR3	0	↑	1	-	1	1	0	0	0	0	1	0	(C2h)
1st Parameter	1	↑	1	-	0	0	0	0	0	APA2	APA1	APA0	
2nd Parameter	1	↑	1	-	0	0	0	0	0	DCA2	DCA1	DCA0	

NOTE: “-“ Don't care

Description	-Set the amount of current in Operational amplifier in normal mode/full colors. -Adjust the amount of fixed current from the fixed current source in the operational amplifier for the source driver.												
	AP[2:0]		Amount of Current in Operational Amplifier										
	000	0	Operation of the operational amplifier stops										
	001	1	Small										
	010	2	Medium Low										
	011	3	Medium										
	100	4	Medium High										
	101	5	Large										
	110	6	Reserved										
111	7	Reserved											

Description	-Set the Booster circuit Step-up cycle in Normal mode/ full colors.												
	DC[2:0]		Step-up cycle in Booster circuit 1				Step-up cycle in Booster circuit 2,3						
	000	0	BCLK / 1				BCLK / 1						
	001	1	BCLK / 1				BCLK / 2						
	010	2	BCLK / 1				BCLK / 4						
	011	3	BCLK / 2				BCLK / 2						
	100	4	BCLK / 2				BCLK / 4						
	101	5	BCLK / 4				BCLK / 4						
	110	6	BCLK / 4				BCLK / 8						
111	7	BCLK / 4				BCLK / 16							

Note: BCLK is Clock frequency for Booster circuit

# ST7713

## 10.2.11 PWCTR4 (C3h): Power Control 4 (in Idle mode/ 8-colors)

C3H	PWCTR4 (Power Control 4)												
Inst / Para	D/CX	WRX	RDX	D17-8	D7	D6	D5	D4	D3	D2	D1	D0	(Code)
PWCTR4	0	↑	1	-	1	1	0	0	0	0	1	1	(C3h)
1st Parameter	1	↑	1	-	0	0	0	0	0	APB2	APB1	APB0	
2nd Parameter	1	↑	1	-	0	0	0	0	0	DCB2	DCB1	DCB0	

NOTE: "-" Don't care

Description	-Set the amount of current in Operational amplifier in Idle mode/8 colors.			
	-Adjust the amount of fixed current from the fixed current source in the operational amplifier for the source driver.			
	<b>AP[2:0]</b>	<b>Amount of Current in Operational Amplifier</b>		
	000	0	Operation of the operational amplifier stops	
	001	1	Small	
	010	2	<b>Medium Low</b>	
	011	3	Medium	
	100	4	Medium High	
	101	5	Large	
	110	6	Reserved	
111	7	Reserved		
Description	-Set the Booster circuit Step-up cycle in Idle mode/8 colors.			
	<b>DC[2:0]</b>	<b>Step-up cycle in Booster circuit 1</b>	<b>Step-up cycle in Booster circuit 2,3</b>	
	000	0	BCLK / 1	BCLK / 1
	001	1	BCLK / 1	BCLK / 2
	010	2	BCLK / 1	BCLK / 4
	011	3	BCLK / 2	BCLK / 2
	100	4	<b>BCLK / 2</b>	<b>BCLK / 4</b>
	101	5	BCLK / 4	BCLK / 4
	110	6	BCLK / 4	BCLK / 8
	111	7	BCLK / 4	BCLK / 16
Note: BCLK is Clock frequency for Booster circuit				

# ST7713

## 10.2.12 PWCTR5 (C4h): Power Control 5 (in Partial mode/ full-colors)

C4H	PWCTR5 (Power Control 5)												
Inst / Para	D/CX	WRX	RDX	D17-8	D7	D6	D5	D4	D3	D2	D1	D0	(Code)
PWCTR5	0	↑	1	-	1	1	0	0	0	1	0	0	(C4h)
1st Parameter	1	↑	1	-	0	0	0	0	0	APC2	APC1	APC0	
2nd Parameter	1	↑	1	-	0	0	0	0	0	DCC2	DCC1	DCC0	

NOTE: “-“ Don't care

Description	-Set the amount of current in Operational amplifier in Partial mode/ full-colors.			
	-Adjust the amount of fixed current from the fixed current source in the operational amplifier for the source driver.			
	<b>AP[2:0]</b>	<b>Amount of Current in Operational Amplifier</b>		
	000	0	Operation of the operational amplifier stops	
	001	1	Small	
	010	2	<b>Medium Low</b>	
	011	3	Medium	
	100	4	Medium High	
	101	5	Large	
	110	6	Reserved	
111	7	Reserved		
Description	-Set the Booster circuit Step-up cycle in Partial mode/ full-colors.			
	<b>DC[2:0]</b>	<b>Step-up cycle in Booster circuit 1</b>	<b>Step-up cycle in Booster circuit 2,3</b>	
	000	0	BCLK / 1	BCLK / 1
	001	1	BCLK / 1	BCLK / 2
	010	2	<b>BCLK / 1</b>	<b>BCLK / 4</b>
	011	3	BCLK / 2	BCLK / 2
	100	4	BCLK / 2	BCLK / 4
	101	5	BCLK / 4	BCLK / 4
	110	6	BCLK / 4	BCLK / 8
	111	7	BCLK / 4	BCLK / 16
Note: BCLK is Clock frequency for Booster circuit				



# ST7713

## 10.2.13 VMCTR1 (C5h): VCOM Control 1

C5H	VMCTR1 (VCOM Control 1)												
Inst / Para	D/CX	WRX	RDX	D17-8	D7	D6	D5	D4	D3	D2	D1	D0	(Code)
VMCTR1	0	↑	1	-	1	1	0	0	0	1	0	1	(C5h)
1st Parameter	1	↑	1	-	-	VMH6	VMH5	VMH 4	VMH 3	VMH 2	VMH 1	VMH 0	
2nd Parameter	1	↑	1	-	-	VML6	VML5	VML4	VML3	VML2	VML1	VML0	

NOTE: “-“ Don't care

Description	-Set VCOMH Voltage												
	VMH[6:0]	VCOMH	VMH[6:0]	VCOMH	VMH[6:0]	VCOMH	VMH[6:0]	VCOMH	VMH[6:0]	VCOMH	VMH[6:0]	VCOMH	
	0000000	0	2.500	0011011	27	3.175	0110110	54	3.850	1010001	81	4.525	
	0000001	1	2.525	0011100	28	3.200	0110111	55	3.875	1010010	82	4.550	
	0000010	2	2.550	0011101	29	3.225	0111000	56	3.900	1010011	83	4.575	
	0000011	3	2.575	0011110	30	3.250	0111001	57	3.925	1010100	84	4.600	
	0000100	4	2.600	0011111	31	3.275	0111010	58	3.950	1010101	85	4.625	
	0000101	5	2.625	0100000	32	3.300	0111011	59	3.975	1010110	86	4.650	
	0000110	6	2.650	0100001	33	3.325	0111100	60	4.000	1010111	87	4.675	
	0000111	7	2.675	0100010	34	3.350	0111101	61	4.025	1011000	88	4.700	
	0001000	8	2.700	0100011	35	3.375	0111110	62	4.050	1011001	89	4.725	
	0001001	9	2.725	0100100	36	3.400	0111111	63	4.075	1011010	90	4.750	
	0001010	10	2.750	0100101	37	3.425	1000000	64	4.100	1011011	91	4.775	
	0001011	11	2.775	0100110	38	3.450	1000001	65	4.125	1011100	92	4.800	
	0001100	12	2.800	0100111	39	3.475	1000010	66	4.150	1011101	93	4.825	
	0001101	13	2.825	0101000	40	3.500	1000011	67	4.175	1011110	94	4.850	
	0001110	14	2.850	0101001	41	3.525	1000100	68	4.200	1011111	95	4.875	
	0001111	15	2.875	0101010	42	3.550	1000101	69	4.225	1100000	96	4.900	
	0010000	16	2.900	0101011	43	3.575	1000110	70	4.250	1100001	97	4.925	
	0010001	17	2.925	0101100	44	3.600	1000111	71	4.275	1100010	98	4.950	
	0010010	18	2.950	0101101	45	3.625	1001000	72	4.300	1100011	99	4.975	
	0010011	19	2.975	0101110	46	3.650	1001001	73	4.325	1100100	100	5.000	
	0010100	20	3.000	0101111	47	3.675	1001010	74	4.350	1100101	101		Not Permitted
	0010101	21	3.025	0110000	48	3.700	1001011	75	4.375				
	0010110	22	3.050	0110001	49	3.725	1001100	76	4.400	1111111	127		
	0010111	23	3.075	0110010	50	3.750	1001101	77	4.425				
	0011000	24	3.100	0110011	51	3.775	1001110	78	4.450				
	0011001	25	3.125	0110100	52	3.800	1001111	79	4.475				
	0011010	26	3.150	0110101	53	3.825	1010000	80	4.500				
Description	-Set VCOML Voltage												
	VML[6:0]	VCOML	VML[6:0]	VCOML	VML[6:0]	VCOML	VML[6:0]	VCOML	VML[6:0]	VCOML	VML[6:0]	VCOML	
	0000000	0	-2.500	0011011	27	-1.825	0110110	54	-1.150	1010001	81	-0.475	
	0000001	1	-2.475	0011100	28	-1.800	0110111	55	-1.125	1010010	82	-0.450	
	0000010	2	-2.450	0011101	29	-1.775	0111000	56	-1.100	1010011	83	-0.425	
	0000011	3	-2.425	0011110	30	-1.750	0111001	57	-1.075	1010100	84	-0.400	
	0000100	4	-2.400	0011111	31	-1.725	0111010	58	-1.050	1010101	85	-0.375	
	0000101	5	-2.375	0100000	32	-1.700	0111011	59	-1.025	1010110	86	-0.350	
	0000110	6	-2.350	0100001	33	-1.675	0111100	60	-1.000	1010111	87	-0.325	
	0000111	7	-2.325	0100010	34	-1.650	0111101	61	-0.975	1011000	88	-0.300	
	0001000	8	-2.300	0100011	35	-1.625	0111110	62	-0.950	1011001	89	-0.275	
	0001001	9	-2.275	0100100	36	-1.600	0111111	63	-0.925	1011010	90	-0.250	
	0001010	10	-2.250	0100101	37	-1.575	1000000	64	-0.900	1011011	91	-0.225	
	0001011	11	-2.225	0100110	38	-1.550	1000001	65	-0.875	1011100	92	-0.200	
	0001100	12	-2.200	0100111	39	-1.525	1000010	66	-0.850	1011101	93	-0.175	
	0001101	13	-2.175	0101000	40	-1.500	1000011	67	-0.825	1011110	94	-0.150	
	0001110	14	-2.150	0101001	41	-1.475	1000100	68	-0.800	1011111	95	-0.125	
	0001111	15	-2.125	0101010	42	-1.450	1000101	69	-0.775	1100000	96	-0.100	
	0010000	16	-2.100	0101011	43	-1.425	1000110	70	-0.750	1100001	97	-0.075	
	0010001	17	-2.075	0101100	44	-1.400	1000111	71	-0.725	1100010	98	-0.050	
	0010010	18	-2.050	0101101	45	-1.375	1001000	72	-0.700	1100011	99	-0.025	
	0010011	19	-2.025	0101110	46	-1.350	1001001	73	-0.675	1100100	100	0.000	
	0010100	20	-2.000	0101111	47	-1.325	1001010	74	-0.650	1100101	101		Not Permitted
	0010101	21	-1.975	0110000	48	-1.300	1001011	75	-0.625				
	0010110	22	-1.950	0110001	49	-1.275	1001100	76	-0.600	1111111	127		
	0010111	23	-1.925	0110010	50	-1.250	1001101	77	-0.575				
	0011000	24	-1.900	0110011	51	-1.225	1001110	78	-0.550				
	0011001	25	-1.875	0110100	52	-1.200	1001111	79	-0.525				
	0011010	26	-1.850	0110101	53	-1.175	1010000	80	-0.500				

# ST7713

## 10.2.14 VMOFCTR (C7h): VCOM Offset Control

C7H	VMOFCTR (VCOM Offset Control)												
Inst / Para	D/CX	WRX	RDX	D17-8	D7	D6	D5	D4	D3	D2	D1	D0	(Code)
VMOFCTR	0	↑	1	-	1	1	0	0	0	1	1	1	(C7h)
1st Parameter	1	↑	1	-	-	VMF6	-	-	VMF3	VMF2	VMF1	VMF0	

NOTE: “-“ Don't care, can be set to VDDI or DGND level

Description	-Set VCOM Voltage level for reduce the flicker issue			
	VMF[6]	VMF[3:0]	VCOMH Output Level	VCOML Output Level
	0	0000	“VMH”-16d	“VML”-16d
	0	0001	“VMH”-15d	“VML”-15d
	0	0010	“VMH”-14d	“VML”-14d
	0			
	0	1110	“VMH”-2d	“VML”-2d
	0	1111	“VMH”-1d	“VML”-1d
	1	0000	“VMH”	“VML”
	1	0001	“VMH”+1d	“VML”+1d
	1	0010	“VMH”+2d	“VML”+2d
	1			
	1	1110	“VMH”+14d	“VML”+14d
	1	1111	“VMH”+15d	“VML”+15d

- 1d=25mV, 2d=50mV 3d=75mv....  
 - 2.5V <= VMH ± nd <= 5.0V; -2.5V <= VML ± nd <= 0V (n=0~15,16)  
 - VMF[6] & VMF[3:0] are stored in NV memory to contrast.

## 10.2.15 WRID2 (D1h): Write ID2 Value

D1H	WRID2 (Write ID2 Value)												
Inst / Para	D/CX	WRX	RDX	D17-8	D7	D6	D5	D4	D3	D2	D1	D0	(Code)
WRID2	0	↑	1	-	1	1	0	1	0	0	0	1	(D1h)
1st Parameter	1	↑	1	-	-	ID26	ID25	ID24	ID23	ID22	ID21	ID20	-

NOTE: "-" Don't care

Description	-Write 7-bit data of LCD module version to save it to NV memory. -The parameter ID2[6:0] is LCD Module version ID.
	Refer to Application Note

## 10.2.16 WRID3 (D2h): Write ID3 Value

D2H	WRID3 (Write ID3 Value)												
Inst / Para	D/CX	WRX	RDX	D17-8	D7	D6	D5	D4	D3	D2	D1	D0	(Code)
WRID3	0	↑	1	-	1	1	0	1	0	0	1	0	(D2h)
1st Parameter	1	↑	1	-	-	ID37	ID36	ID35	ID34	ID33	ID32	ID31	ID30

NOTE: "-" Don't care

Description	-Write 8-bit data of project code module to save it to NV memory. -The parameter ID3[7:0] is product project ID.
	Refer to Application Note

## 10.2.17 RDID4 (D3h): Read the ID4 value

D3H	RDID4 (Read the ID4 value)												
Inst / Para	D/CX	WRX	RDX	D17-8	D7	D6	D5	D4	D3	D2	D1	D0	(Code)
RDID4	0	↑	1	-	1	1	0	1	0	0	1	1	(D3h)
1st Parameter	1	1	↑	-	-	-	-	-	-	-	-	-	-
2nd Parameter	1	1	↑	-	ID417	ID416	ID415	ID414	ID413	ID412	ID411	ID410	-
3rd Parameter	1	1	↑	-	ID427	ID426	ID425	ID424	ID423	ID422	ID421	ID420	-
4th Parameter	1	1	↑	-	ID437	ID436	ID435	ID434	ID433	ID432	ID431	ID430	-
5th Parameter	1	1	↑	-	ID447	ID446	ID445	ID444	ID443	ID442	ID441	ID440	-

NOTE: "-" Don't care

Description	-Read the Driver IC information from mask value. -The 1st parameter is dummy data. -The 2nd parameter ID41[7:0]="03h" is Driver IC ID code. -The 3rd parameter ID42[7:0] is Driver IC Part number ID. (The code be define by Driver IC Vender) -The 4th & 5th parameter ID43[7:0] & ID44[7:0] are Driver IC version ID.			
Default	Status		Default Value	
		ID41[7:0]	ID42[7:0]	ID43[7:0]
	Power On Sequence	03h	20h	01h
	S/W Reset	03h	20h	01h
	H/W Reset	03h	20h	01h

## 10.2.18 NVFCTR1 (D9h): NV Memory Function Controller 1

D9H	NVFCTR1 (NV Memory Function Controller 1)												
Inst / Para	D/CX	WRX	RDX	D17-8	D7	D6	D5	D4	D3	D2	D1	D0	(Code)
NVFCTR1	0	↑	1	-	1	1	0	1	1	0	0	1	(D9h)
1st Parameter	1	1	↑	-	-	-	-	EXTC	-	-	-	RDY	-

NOTE: "-" Don't care

Description	OTP Controller flag
	Refer to Application Note

## 10.2.19 NVFCTR2 (DEh): NV Memory Function Controller 2

DEH	NVFCTR1 (NV Memory Function Controller 2)												
Inst / Para	D/CX	WRX	RDX	D17-8	D7	D6	D5	D4	D3	D2	D1	D0	(Code)
NVFCTR1	0	↑	1	-	1	1	0	1	1	1	1	0	(DEh)
1 <sup>st</sup> Parameter	1	↑	1		1	0	1	0	1	0	1	0	AA
2 <sup>nd</sup> Parameter	1	↑	1		0	0	0	0	1	1	1	1	0F
3 <sup>rd</sup> Parameter	1	↑	1		1	0	1	0	0	1	0	1	A5

NOTE: "-" Don't care

Description	OTP Read Command
	Refer to Application Note

## 10.2.20 NVFCTR3 (DFh): NV Memory Function Controller 3

DFH	NVFCTR1 (NV Memory Function Controller 3)												
Inst / Para	D/CX	WRX	RDX	D17-8	D7	D6	D5	D4	D3	D2	D1	D0	(Code)
NVFCTR1	0	↑	1	-	1	1	0	1	1	1	1	1	(DFh)
1 <sup>st</sup> Parameter	1	↑	1		0	1	0	1	0	1	0	1	55
2 <sup>nd</sup> Parameter	1	↑	1		1	1	1	1	0	0	0	0	F0
3 <sup>rd</sup> Parameter	1	↑	1		0	1	0	1	1	0	1	0	5A

NOTE: "-" Don't care

Description	OTP Write Command
	Refer to Application Note

## 10.2.21 GMCTRP1 (E0h): Gamma ('+'polarity) Correction Characteristics Setting

E0H	GMCTRP0 (Gamma '+'polarity Correction Characteristics Setting)												
Inst / Para	D/CX	WRX	RDX	D17-8	D7	D6	D5	D4	D3	D2	D1	D0	(Code)
GMCTRP1	0	↑	1	-	1	1	1	0	0	0	0	0	(E0h)
1 <sup>st</sup> Parameter	1	↑	1	-	-	-	-	-	RFP3	RFP2	RFP1	RFP0	
2 <sup>nd</sup> Parameter	1	↑	1	-	-	-	-	PKP04	PKP03	PKP02	PKP01	PKP00	
3 <sup>rd</sup> Parameter	1	↑	1	-	-	-	-	PKP14	PKP13	PKP12	PKP11	PKP10	
4 <sup>th</sup> Parameter	1	↑	1	-	-	-	-	PKP24	PKP23	PKP22	PKP21	PKP20	
5 <sup>th</sup> Parameter	1	↑	1	-	-	-	-	PKP34	PKP33	PKP32	PKP31	PKP30	
6 <sup>th</sup> Parameter	1	↑	1	-	-	-	-	PKP44	PKP43	PKP42	PKP41	PKP40	
7 <sup>th</sup> Parameter	1	↑	1	-	-	-	-	PKP53	PKP52	PKP51	PKP50		
8 <sup>th</sup> Parameter	1	↑	1	-	-	-	-	PKP63	PKP62	PKP61	PKP60		
9 <sup>th</sup> Parameter	1	↑	1	-	-	-	-	PKP73	PKP72	PKP71	PKP70		
10 <sup>th</sup> Parameter	1	↑	1	-	-	-	-	PKP83	PKP82	PKP81	PKP80		
11 <sup>th</sup> Parameter	1	↑	1	-	-	-	-	RFP14	RFP13	RFP12	RFP11	RFP10	
12 <sup>th</sup> Parameter	1	↑	1	-	-	-	-	OSP14	OSP13	OSP12	OSP11	OSP10	
13 <sup>th</sup> Parameter	1	↑	1	-	-	-	-	OSP3	OSP2	OSP1	OSP0		

NOTE: "-" Don't care

Description	Negative Polarity		Set-up Contents	
	Parameter	Value	Parameter	Value
	RFP[3:0]		The voltage of V0 grayscale is selected by the variable resistor	
	PKP0[4:0]		The voltage of V3 grayscale is selected by the 32 to 1 selector	
	PKP1[4:0]		The voltage of V6 grayscale is selected by the 32 to 1 selector	
	PKP2[4:0]		The voltage of V11 grayscale is selected by the 32 to 1 selector	
	PKP3[4:0]		The voltage of V20 grayscale is selected by the 32 to 1 selector	
	PKP4[4:0]		The voltage of V31 grayscale is selected by the 32 to 1 selector	
	PKP5[3:0]		The voltage of V43 grayscale is selected by the 16 to 1 selector	
	PKP6[3:0]		The voltage of V52 grayscale is selected by the 16 to 1 selector	
	PKP7[3:0]		The voltage of V57 grayscale is selected by the 16 to 1 selector	
	PKP8[3:0]		The voltage of V60 grayscale is selected by the 16 to 1 selector	
	RFP1[4:0]		The voltage of V1 grayscale is selected by the variable resistor	
	OSP1[4:0]		The voltage of V62 grayscale is selected by the variable resistor	
	OSP[3:0]		The voltage of V63 grayscale is selected by the variable resistor	

## 10.2.22 GMCTR1 (E1h): Gamma '-'polarity Correction Characteristics Setting

E1H	GMCTR0 (Gamma '+'polarity Correction Characteristics Setting)												
Inst / Para	D/CX	WRX	RDX	D17-8	D7	D6	D5	D4	D3	D2	D1	D0	(Code)
GMCTR1	0	↑	1	-	1	1	1	0	0	0	0	1	(E1h)
1 <sup>st</sup> Parameter	1	↑	1	-	-	-	-	-	RFN3	RFN2	RFN1	RFN0	
2 <sup>nd</sup> Parameter	1	↑	1	-	-	-	-	PKN04	PKN03	PKN02	PKN01	PKN00	
3 <sup>rd</sup> Parameter	1	↑	1	-	-	-	-	PKN14	PKN13	PKN12	PKN11	PKN10	
4 <sup>th</sup> Parameter	1	↑	1	-	-	-	-	PKN24	PKN23	PKN22	PKN21	PKN20	
5 <sup>th</sup> Parameter	1	↑	1	-	-	-	-	PKN34	PKN33	PKN32	PKN31	PKN30	
6 <sup>th</sup> Parameter	1	↑	1	-	-	-	-	PKN44	PKN43	PKN42	PKN41	PKN40	
7 <sup>th</sup> Parameter	1	↑	1	-	-	-	-	-	PKN53	PKN52	PKN51	PKN50	
8 <sup>th</sup> Parameter	1	↑	1	-	-	-	-	-	PKN63	PKN62	PKN61	PKN60	
9 <sup>th</sup> Parameter	1	↑	1	-	-	-	-	-	PKN73	PKN72	PKN71	PKN70	
10 <sup>th</sup> Parameter	1	↑	1	-	-	-	-	-	PKN83	PKN82	PKN81	PKN80	
11 <sup>th</sup> Parameter	1	↑	1	-	-	-	-	RFN14	RFN13	RFN12	RFN11	RFN10	
12 <sup>th</sup> Parameter	1	↑	1	-	-	-	-	OSN14	OSN13	OSN12	OSN11	OSN10	
13 <sup>th</sup> Parameter	1	↑	1	-	-	-	-	-	OSN3	OSN2	OSN1	OSN0	

NOTE: "-" Don't care

Description	Negative Polarity	Set-up Contents
		RFN[3:0]
	PKN0[4:0]	The voltage of V60 grayscale is selected by the 32 to 1 selector
	PKN1[4:0]	The voltage of V57 grayscale is selected by the 32 to 1 selector
	PKN2[4:0]	The voltage of V52 grayscale is selected by the 32 to 1 selector
	PKN3[4:0]	The voltage of V43 grayscale is selected by the 32 to 1 selector
	PKN4[4:0]	The voltage of V31 grayscale is selected by the 32 to 1 selector
	PKN5[3:0]	The voltage of V20 grayscale is selected by the 16 to 1 selector
	PKN6[3:0]	The voltage of V11 grayscale is selected by the 16 to 1 selector
	PKN7[3:0]	The voltage of V6 grayscale is selected by the 16 to 1 selector
	PKN8[3:0]	The voltage of V3 grayscale is selected by the 16 to 1 selector
	RFN1[4:0]	The voltage of V62 grayscale is selected by the variable resistor
	OSN1[4:0]	The voltage of V1 grayscale is selected by the variable resistor
	OSN[3:0]	The voltage of V0 grayscale is selected by the variable resistor

# ST7713

## 10.2.23 DCTRM1 (F5h): Driver Vender Control 1

F5H		Driver Vender Control 1											
Inst / Para	D/CX	WRX	RDX	D17-8	D7	D6	D5	D4	D3	D2	D1	D0	(Code)
DCTRM1	0	↑	1	-	1	1	1	1	0	1	0	1	(F5h)
1st Parameter	1	↑	1	-	B7	B6	B5	B4	B3	B2	B1	B0	-

Description	Driver Vender Control Command for optimization
	Refer to Application Note for the parameter setting(B7~B0)

## 10.2.24 DCTRM2 (F6h): Driver Vender Control 2

F6H		Driver Vender Control 2											
Inst / Para	D/CX	WRX	RDX	D17-8	D7	D6	D5	D4	D3	D2	D1	D0	(Code)
DCTRM2	0	↑	1	-	1	1	1	1	0	1	1	0	(F6h)
1st Parameter	1	↑	1	-	B7	B6	B5	B4	B3	B2	B1	B0	-

Description	Driver Vender Control Command for optimization
	Refer to Application Note for the parameter setting(B7~B0)

## 11. Power structure

### 11.1. Driver IC Operating voltages Specification

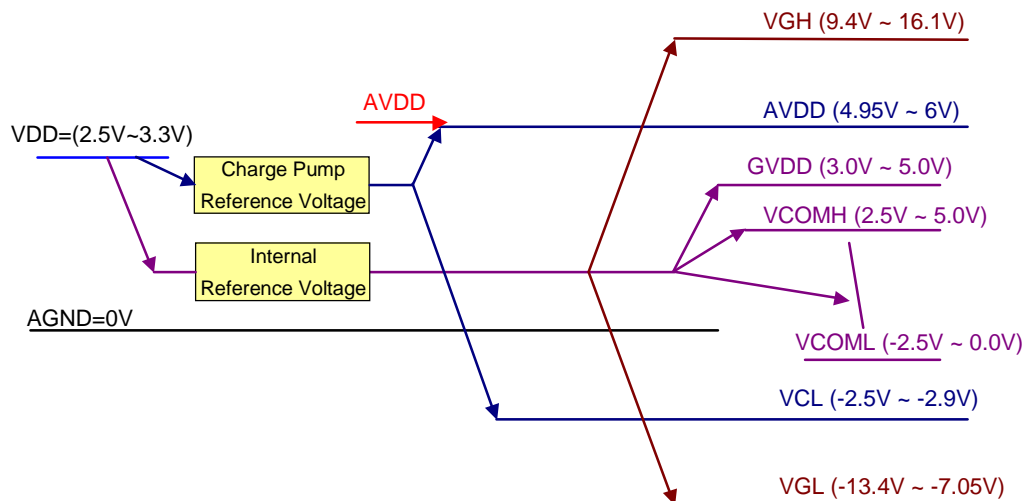


Fig. 11.1.1 Power Booster Level

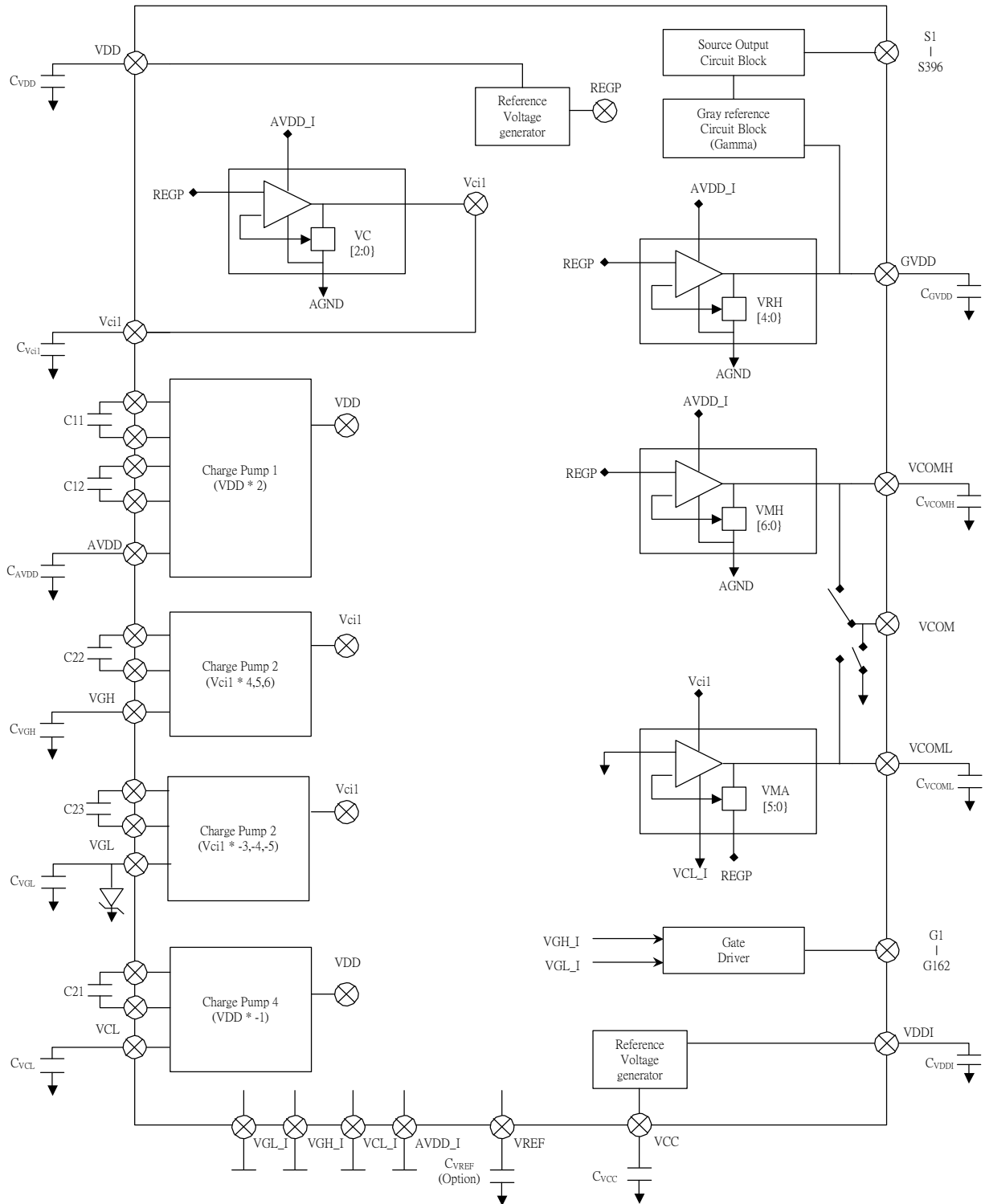
#### Remark

1. AVDD supply to all power source (exclude VGH, VGL)
2. Source output range: 0.1V ~ AVDD-0.1V
3. Linear Range: 0.2V ~ AVDD-0.2V (For all output voltage, but exclude VGH, VGL)
4. Above operating voltages is min range.



11.2 Power Booster Circuit

11.2.1 VCI1 generate from VDD regulator



www.DataSheet4U.com

Fig. 11.2.1 Power Booster Structure (1)

## 11.2.2 EXTERNAL COMPONENTS CONNECTION

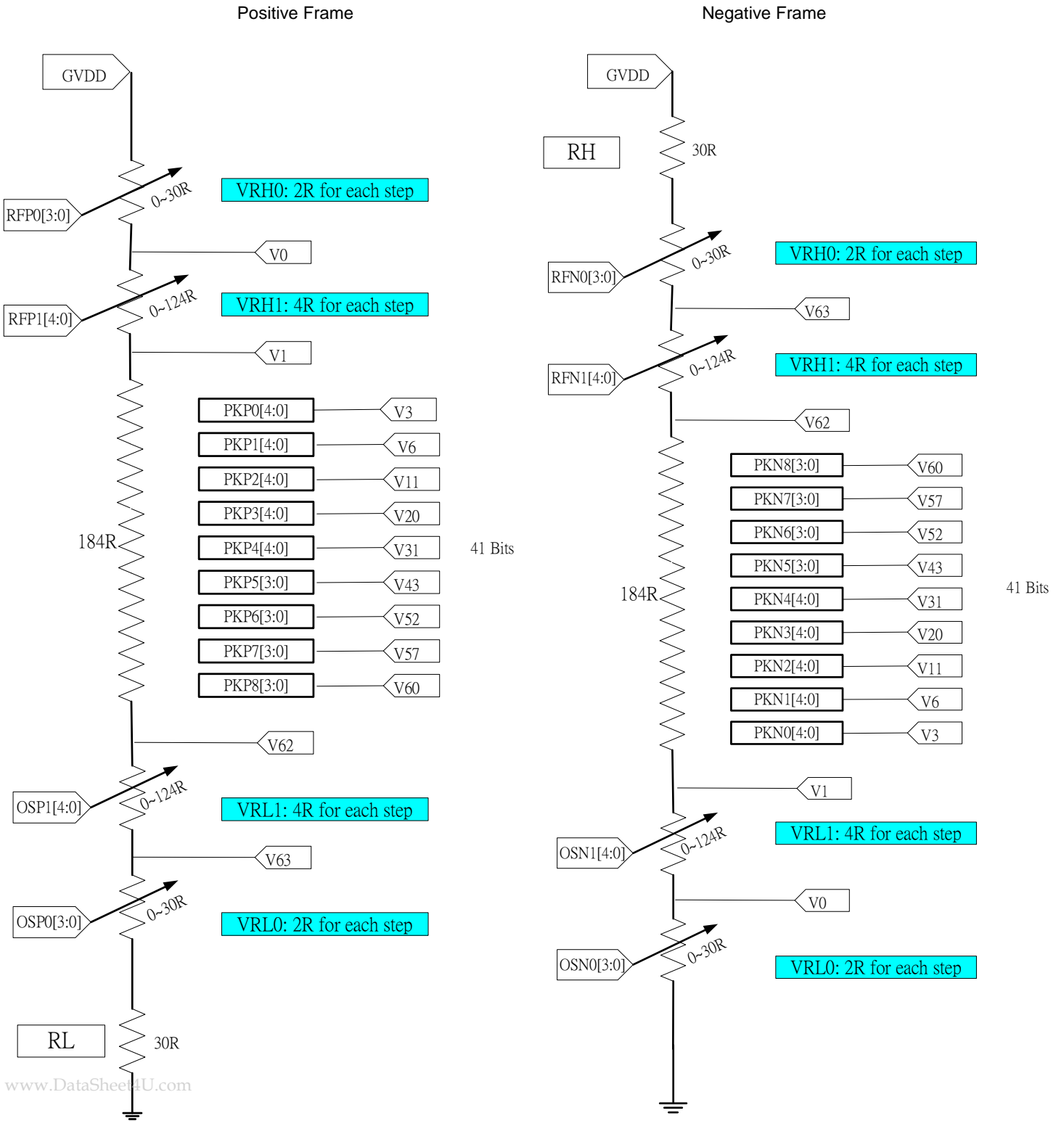
Pad Name	Connection	Rated (Min) Voltage	Typical capacitance value
VDDI	VDDI (Logic Power)	10.0V	1.0 uF
VDD	VDD (Analog Power)	10.0V	1.0 uF
VCC	Connect to Capacitor (Max 3V): VCC -----  ----- GND	10.0V	1.0 uF
AGND	Analog ground (Connect to GND)		
DGND	Digital ground (Connect to GND)		
C23P, C23N	Connect to Capacitor: C23P -----  -----C23N	25.0V; 16.0V*	1.0 uF
C22P, C22N	Connect to Capacitor: C22P -----  -----C22N	25.0V; 16.0V*	1.0 uF
C21P, C21N	Connect to Capacitor: C21P -----  -----C21N	10.0V	1.0 uF
C12P, C12N	Connect to Capacitor: C12P -----  -----C12N	10.0V	1.0 uF
C11P, C11N	Connect to Capacitor: C11P -----  -----C11N	10.0V	1.0 uF
AVDD	Connect to Capacitor: AVDD -----  ----- GND	10.0V	1.0 uF
VCI1	Connect to Capacitor: AVDD -----  ----- GND	10.0V	1.0 uF
VGH	Connect to Capacitor: VGH -----  ----- GND	25.0V; 16.0V*	1.0 uF
VGL	Connect to Capacitor: VGL -----  ----- GND	25.0V; 16.0V*	1.0 uF
VCL	Connect to Capacitor: VCL -----  ----- GND	10.0V	1.0 uF
VREF	Connect to Capacitor: VREF -----  ----- GND	10.0V	1.0 uF
GVDD	Connect to Capacitor: GVDD -----  ----- GND	10.0V	1.0 uF
VCOMH	Connect to Capacitor: VCOMH-----  ----- GND	10.0V	1.0 uF
VCOML	Connect to Capacitor: VCOML -----  ----- GND	10.0V	1.0 uF
VGL	Connect to Schottky diode: VGL -----▶----- GND	30V	Schottky diode

Note: For the typical specification of capacitor, the surge voltage is 125% of rated voltage. The capacitor of rated voltage of 16V can be only used for the case of VGH < 12.8V and VGL > -12.8V to prevent from stability issue. For normal usage, please use the capacitor of 25V rating.

## 12. Gamma structure

### 12.1 STRUCTURE OF GRAYSCALE AMPLIFIER

The structure of grayscale amplifier is shown as below. 13 voltage levels (VIP(N)0-VIP(N)12) between GVDD and VGS are determined by the high/ mid/ low level adjustment registers.



## 12.2 Gamma voltage formular (Positive/Negative polarity)

Gray Level	Voltage Formula (Positive)	Voltage Formula (Negative)
0	VINP0	VINN0
1	VINP1	VINN1
2	$V1-(V1-V3)*(16/30)$	$V1-(V1-V3)*(18/30)$
3	VINP2	VINP(N)2
4	$V3-(V3-V6)*(11/30)$	$V3-(V3-V6)*(12/30)$
5	$V3-(V3-V6)*(21/30)$	$V3-(V3-V6)*(22/30)$
6	VINP3	VINN3
7	$V6-(V6-V11)*(7/30)$	$V6-(V6-V11)*(7/30)$
8	$V6-(V6-V11)*(14/30)$	$V6-(V6-V11)*(13/30)$
9	$V6-(V6-V11)*(20/30)$	$V6-(V6-V11)*(19/30)$
10	$V6-(V6-V11)*(25/30)$	$V6-(V6-V11)*(25/30)$
11	VINP4	VINN4
12	$V11-(V11-V20)*(4/30)$	$V11-(V11-V20)*(4/36)$
13	$V11-(V11-V20)*(8/30)$	$V11-(V11-V20)*(8/36)$
14	$V11-(V11-V20)*(12/30)$	$V11-(V11-V20)*(12/36)$
15	$V11-(V11-V20)*(16/30)$	$V11-(V11-V20)*(16/36)$
16	$V11-(V11-V20)*(19/30)$	$V11-(V11-V20)*(20/36)$
17	$V11-(V11-V20)*(22/30)$	$V11-(V11-V20)*(24/36)$
18	$V11-(V11-V20)*(25/30)$	$V11-(V11-V20)*(28/36)$
19	$V11-(V11-V20)*(28/30)$	$V11-(V11-V20)*(32/36)$
20	VINP5	VINN5
21	$V20-(V20-V31)*(3/30)$	$V20-(V20-V32)*(3/36)$
22	$V20-(V20-V31)*(6/30)$	$V20-(V20-V32)*(6/36)$
23	$V20-(V20-V31)*(9/30)$	$V20-(V20-V32)*(9/36)$
24	$V20-(V20-V31)*(12/30)$	$V20-(V20-V32)*(12/36)$
25	$V20-(V20-V31)*(15/30)$	$V20-(V20-V32)*(15/36)$
26	$V20-(V20-V31)*(18/30)$	$V20-(V20-V32)*(18/36)$
27	$V20-(V20-V31)*(21/30)$	$V20-(V20-V32)*(21/36)$
28	$V20-(V20-V31)*(23/30)$	$V20-(V20-V32)*(24/36)$
29	$V20-(V20-V31)*(25/30)$	$V20-(V20-V32)*(27/36)$
30	$V20-(V20-V31)*(27/30)$	$V20-(V20-V32)*(30/36)$
31	VINP6	V20-(V20-V32)*(33/36)
32	$V31-(V31-V43)*(3/36)$	VINN6
33	$V31-(V31-V43)*(6/36)$	$V32-(V32-V43)*(3/30)$
34	$V31-(V31-V43)*(9/36)$	$V32-(V32-V43)*(5/30)$
35	$V31-(V31-V43)*(12/36)$	$V32-(V32-V43)*(7/30)$
36	$V31-(V31-V43)*(15/36)$	$V32-(V32-V43)*(9/30)$
37	$V31-(V31-V43)*(18/36)$	$V32-(V32-V43)*(12/30)$
38	$V31-(V31-V43)*(21/36)$	$V32-(V32-V43)*(15/30)$
39	$V31-(V31-V43)*(24/36)$	$V32-(V32-V43)*(18/30)$

# ST7713

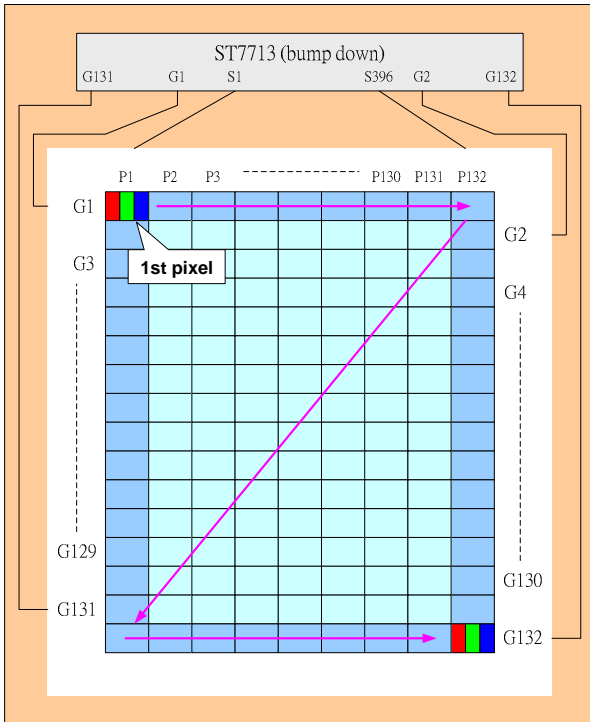
40	V31-(V31-V43)*(27/36)	V32-(V32-V43)*(21/30)
41	V31-(V31-V43)*(30/36)	V32-(V32-V43)*(24/30)
42	V31-(V31-V43)*(33/36)	V32-(V32-V43)*(27/30)
43	VINP7	VINN7
44	V43-(V43-V52)*(4/36)	V43-(V43-V52)*(2/30)
45	V43-(V43-V52)*(8/36)	V43-(V43-V52)*(5/30)
46	V43-(V43-V52)*(12/36)	V43-(V43-V52)*(8/30)
47	V43-(V43-V52)*(16/36)	V43-(V43-V52)*(11/30)
48	V43-(V43-V52)*(20/36)	V43-(V43-V52)*(14/30)
49	V43-(V43-V52)*(24/36)	V43-(V43-V52)*(18/30)
50	V43-(V43-V52)*(28/36)	V43-(V43-V52)*(22/30)
51	V43-(V43-V52)*(32/36)	V43-(V43-V52)*(26/30)
52	VINP8	VINN8
53	V52-(V52-V57)*(5/30)	V52-(V52-V57)*(5/30)
54	V52-(V52-V57)*(11/30)	V52-(V52-V57)*(10/30)
55	V52-(V52-V57)*(17/30)	V52-(V52-V57)*(16/30)
56	V52-(V52-V57)*(23/30)	V52-(V52-V57)*(23/30)
57	VINP9	VINN9
58	V57-(V57-V60)*(8/30)	V57-(V57-V60)*(9/30)
59	V57-(V57-V60)*(18/30)	V57-(V57-V60)*(19/30)
60	VINP10	VINN10
61	V60-(V60-V62)*(12/30)	V60-(V60-V62)*(14/30)
62	VINP11	VINN11
63	VINP12	VINN12

## 13. Example Connection with Panel direction and Different Resolution

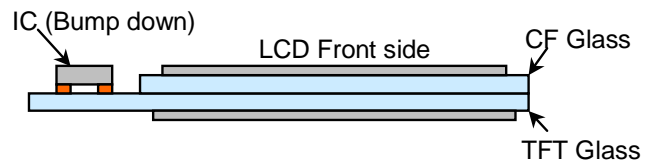
### 13.1 Application of connection with panel direction

Case 1: (This is default case)

- 1<sup>st</sup> Pixel is at *Left Top* of the panel
- RGB filter order = **RGB**

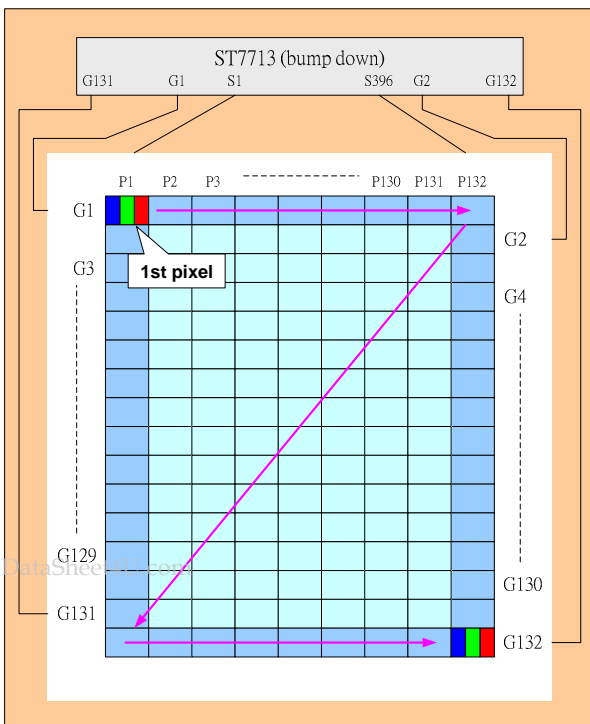


- Direction default setting (H/W)
- SMX = '0'
- SMY = '0'
- SRGB = '0'
- S1 = Filter **R**
- S2 = Filter **G**
- S3 = Filter **B**
- Display direction control (S/W)
- X-Mirror control by MX
- Y-Mirror control by MY
- XY-Exchange control by MV

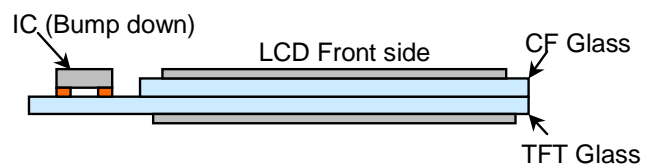


Case 2:

- 1<sup>st</sup> Pixel is at *Left Top* of the panel
- RGB filter order = **BGR**



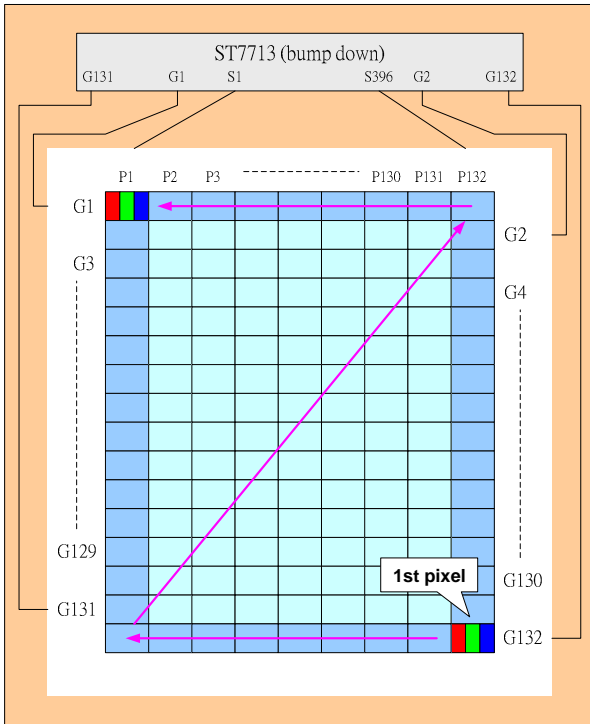
- Direction default setting (H/W)
- SMX = '0'
- SMY = '0'
- SRGB = '1'
- S1 = Filter **B**
- S2 = Filter **G**
- S3 = Filter **R**
- Display direction control (S/W)
- X-Mirror control by MX
- Y-Mirror control by MY
- XY-Exchange control by MV



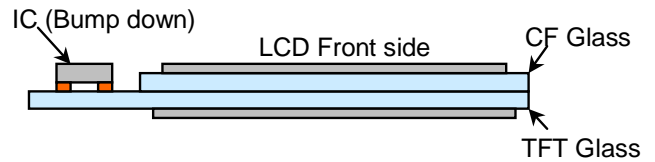
# ST7713

## Case 3:

- 1<sup>st</sup> Pixel is at *Right Bottom* of the panel
- RGB filter order = **RGB**

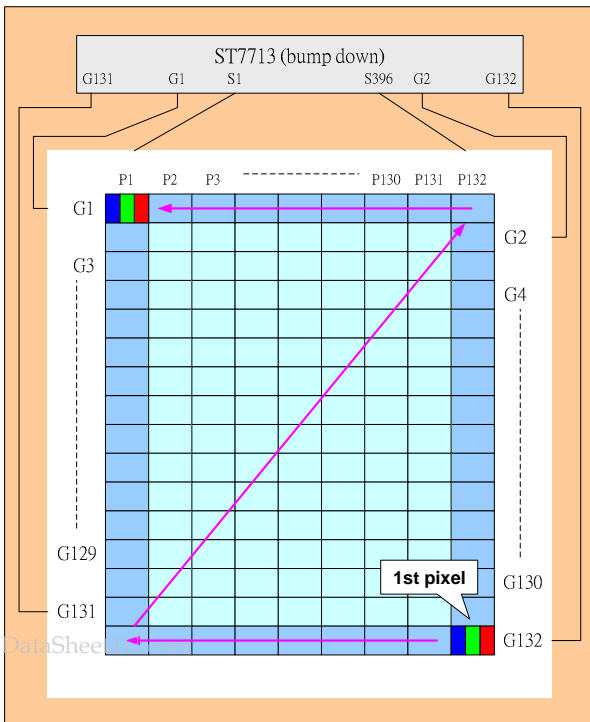


- Direction default setting (H/W)
- SMX = '1'
- SMY = '1'
- SRGB = '0'
- S1 = Filter **R**
- S2 = Filter **G**
- S3 = Filter **B**
- Display direction control (S/W)
- X-Mirror control by MX
- Y-Mirror control by MY
- XY-Exchange control by MV

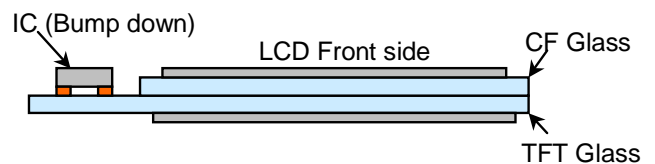


## Case 4:

- 1<sup>st</sup> Pixel is at *Right Bottom* of the panel
- RGB filter order = **BGR**



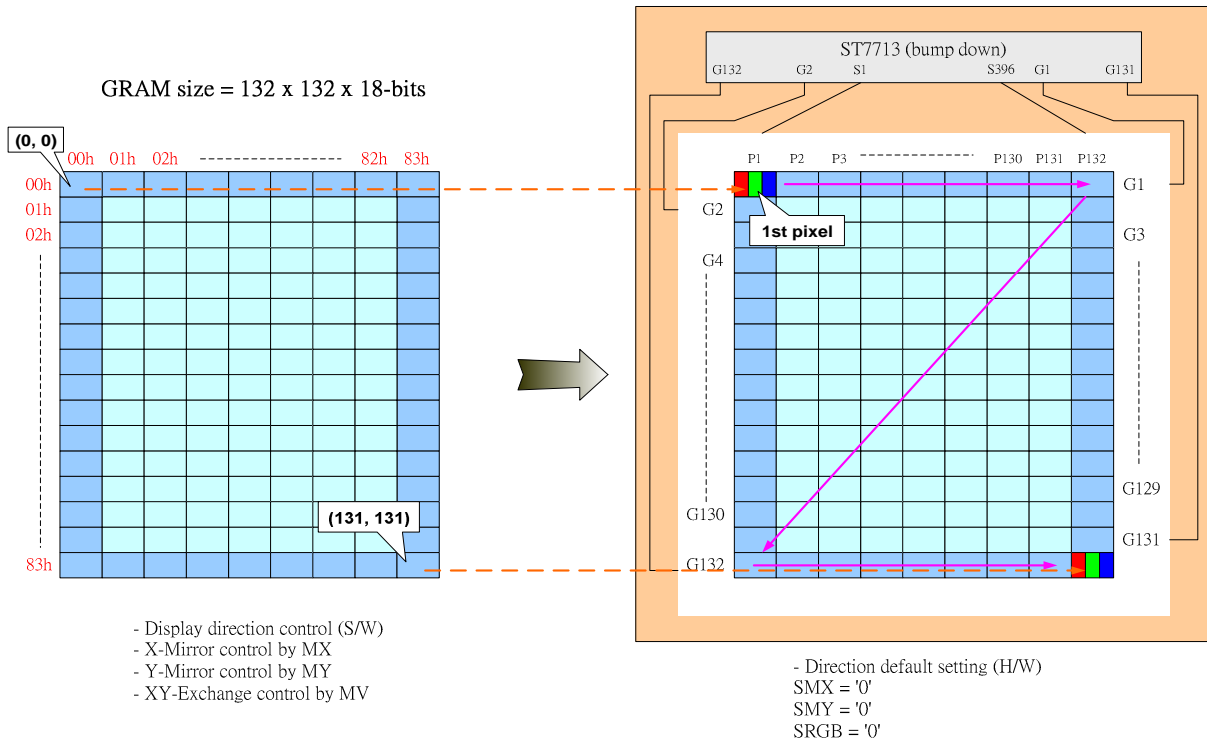
- Direction default setting (H/W)
- SMX = '1'
- SMY = '1'
- SRGB = '1'
- S1 = Filter **B**
- S2 = Filter **G**
- S3 = Filter **R**
- Display direction control (S/W)
- X-Mirror control by MX
- Y-Mirror control by MY
- XY-Exchange control by MV



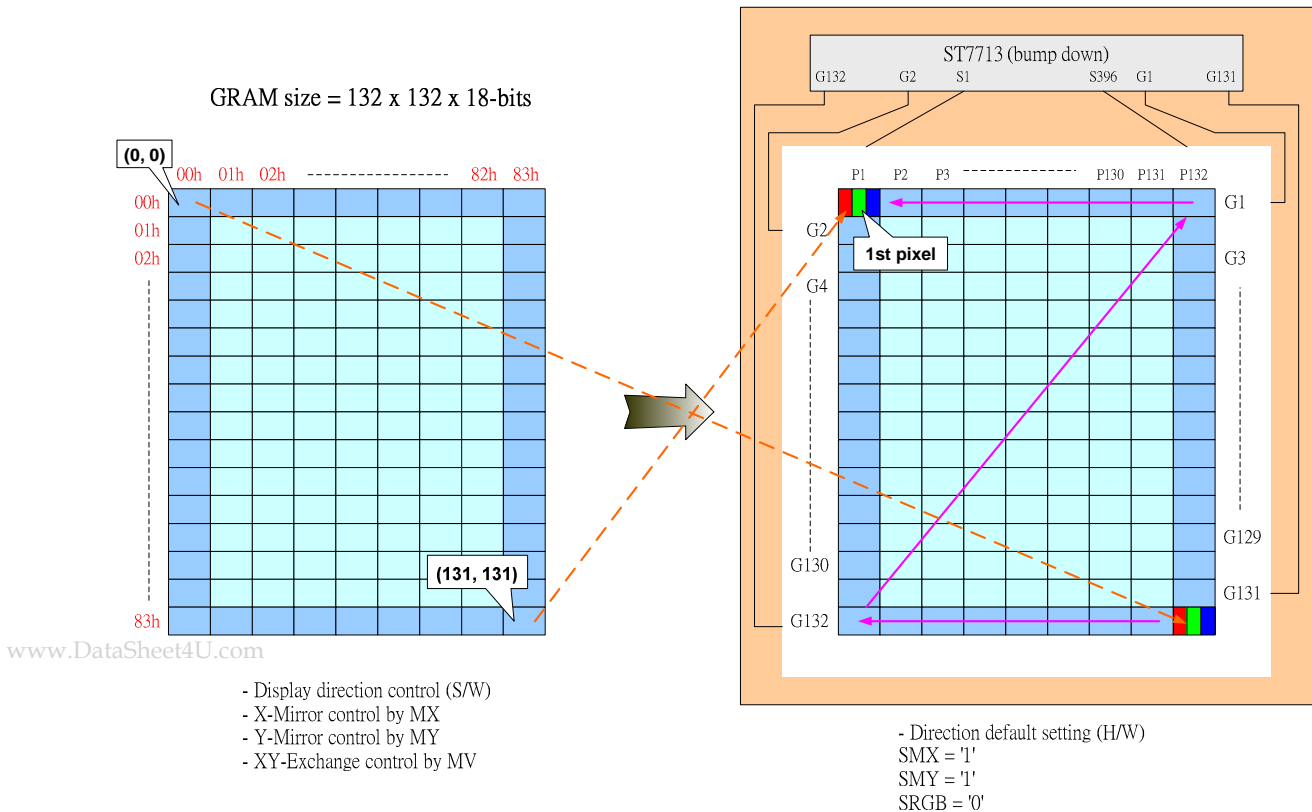
## 13.2 Application of connection with 132RGBx132 resolution (GM1, GM0 = "10")

RAM size=132x132x18-bit Display size = 132RGB x 132

### 1). Example for SMX=SMY='0'



### 2). Example for SMX=SMY='1'





## 13.3 MicroProcessor Interface applications

### 13.3.1 8080-Series MCU + SPI Interface (RCM = '0x', P68='0', IM2='1')

#### 13.3.1.1 8080-Series MCU Interface for 8-bit data bus (IM1, IM0="00")

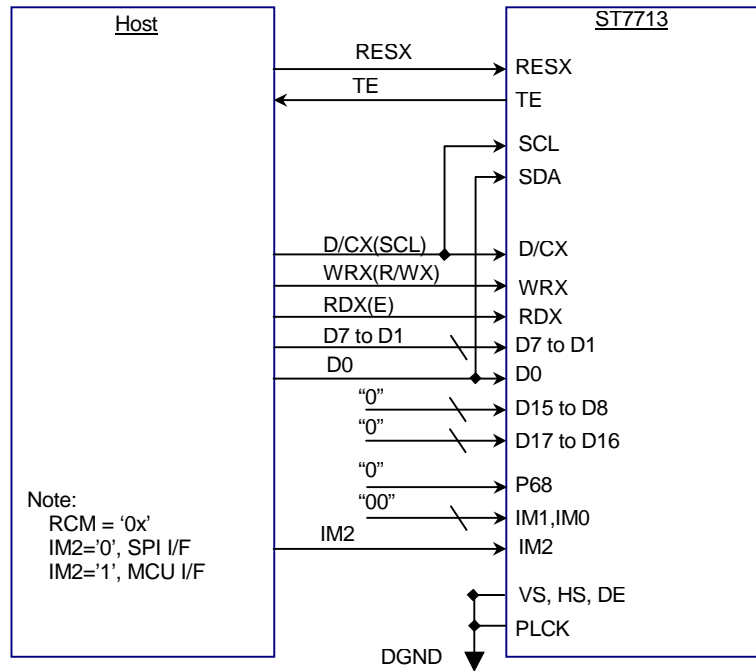


Fig. 13.3.1.1 8080-Series MCU Interface for 8-bit data bus

#### 13.3.1.2 8080-Series MCU Interface for 16-bit data bus (IM1, IM0="01")

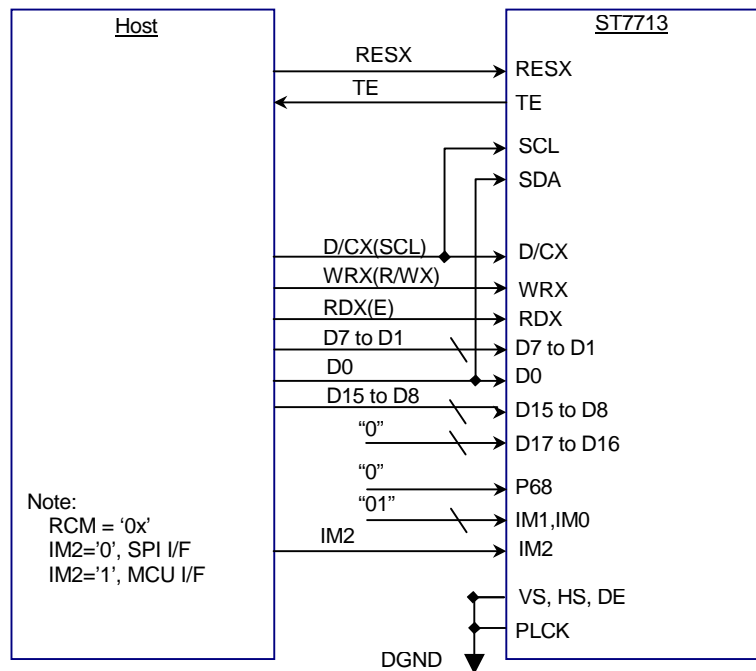


Fig. 13.3.1.2 8080-Series MCU Interface for 16-bit data bus

## 13.3.1.3 8080-Series MCU Interface for 9-bit data bus (IM1, IM0="10")

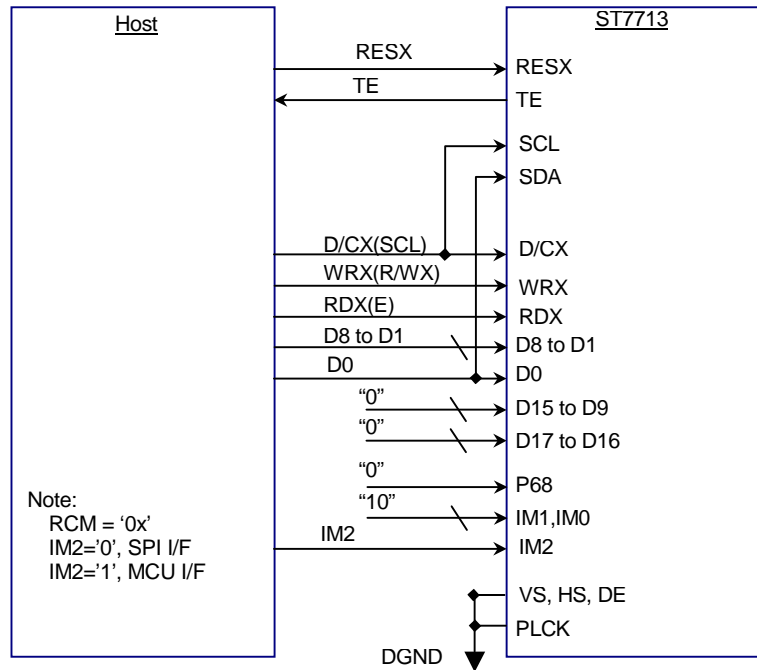


Fig. 13.3.1.3 8080-Series MCU Interface for 9-bit data bus

## 13.3.1.4 8080-Series MCU Interface for 18-bit data bus (IM1, IM0="11")

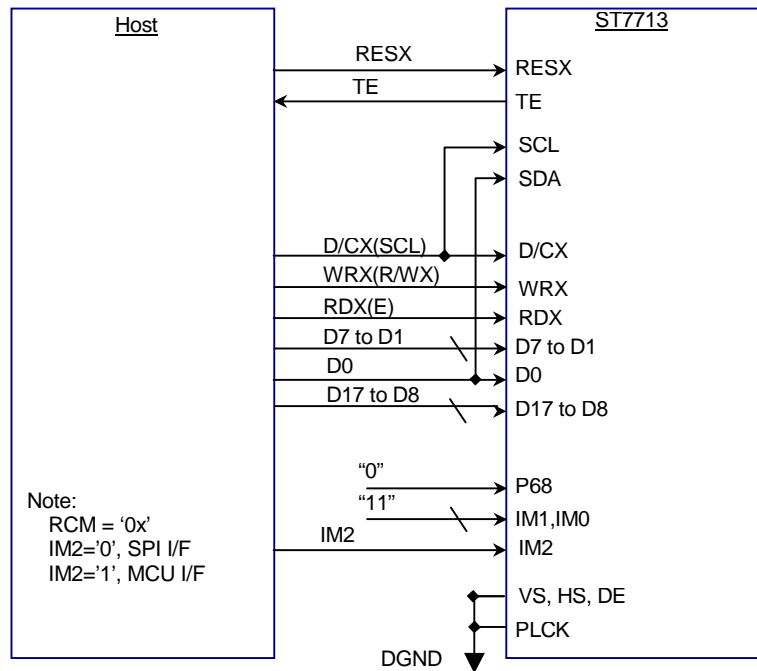


Fig. 13.3.1.4 8080-Series MCU Interface for 18-bit data bus

## 13.3.2 6800-Series MCU + SPI Interface (RCM = '0x', P68='1', IM2='1')

### 13.3.2.1 6800-Series MCU Interface for 8-bit data bus (IM1, IM0="00")

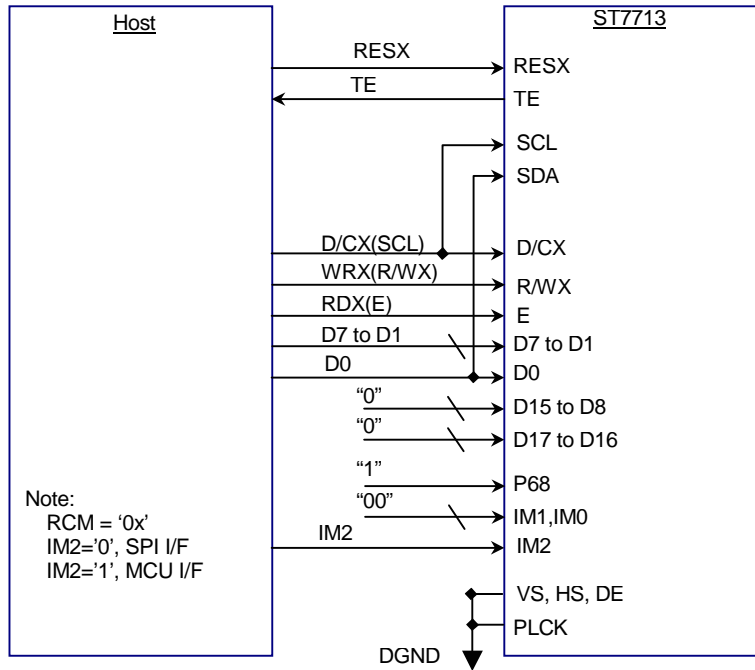


Fig. 13.3.2.1 6800-Series MCU Interface for 8-bit data bus

### 13.3.2.2 6800-Series MCU Interface for 16-bit data bus (IM1, IM0="01")

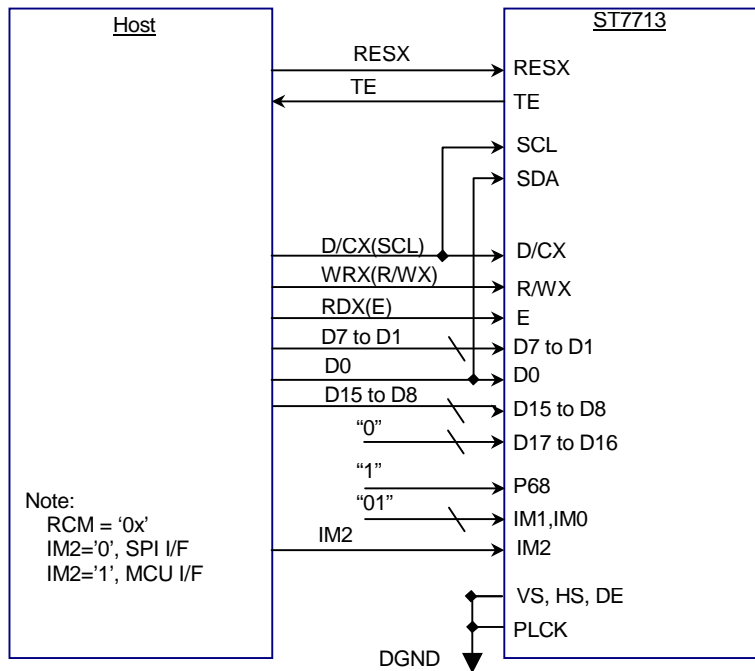


Fig. 13.3.2.2 6800-Series MCU Interface for 16-bit data bus

## 13.3.2.3 6800-Series MCU Interface for 9-bit data bus (IM1, IM0="10")

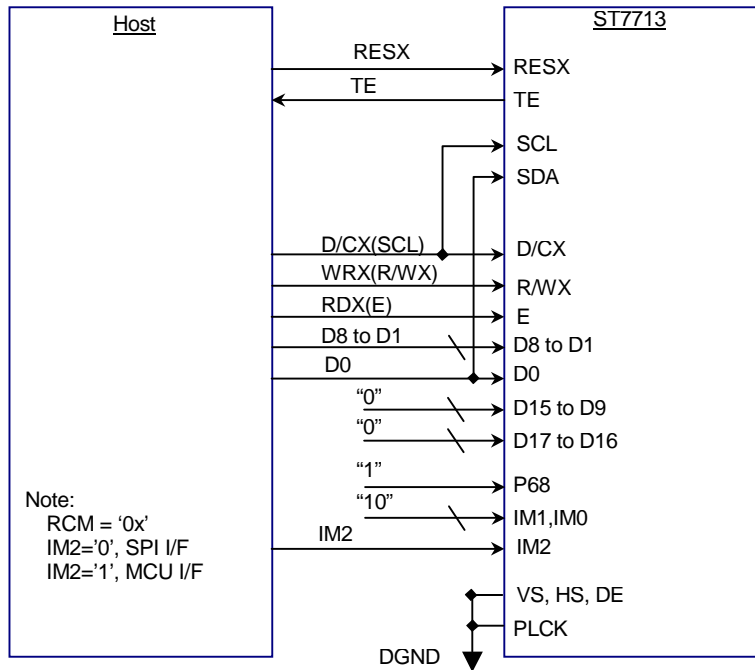


Fig. 13.3.2.3 6800-Series MCU Interface for 9-bit data bus

## 13.3.2.4 6800-Series MCU Interface for 18-bit data bus (IM1, IM0="11")

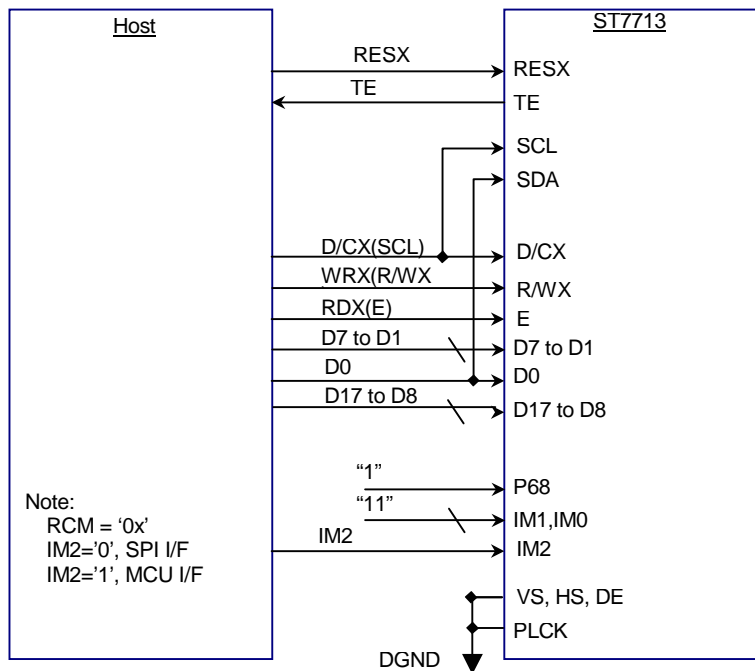


Fig. 13.3.2.4 6800-Series MCU Interface for 18-bit data bus

## 13.3.3 RGB Interface (RCM = '1')

### 13.3.3.1 RGBInterface for 6-bit Data Width

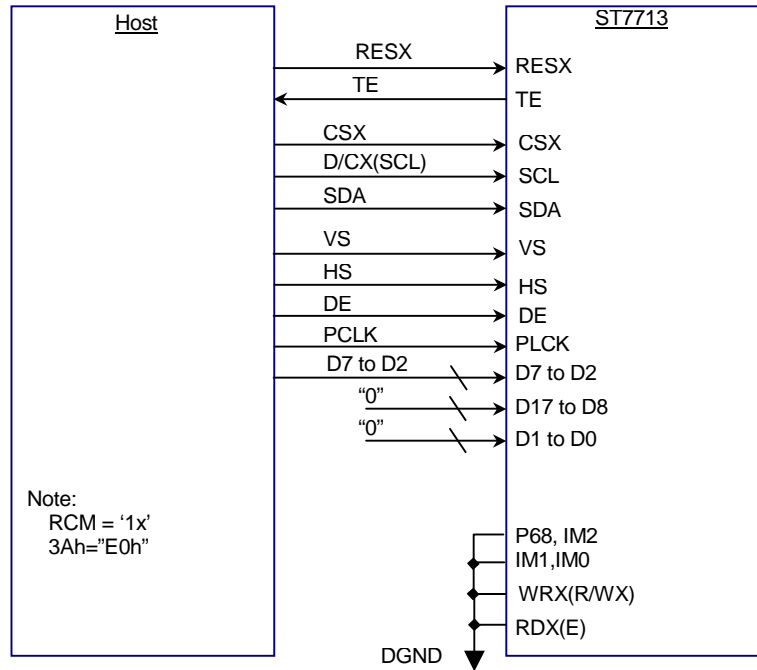


Fig. 13.3.3.1 RGB Interface for 6-bit data width

### 13.3.3.2 RGBInterface for 16-bit Data Width

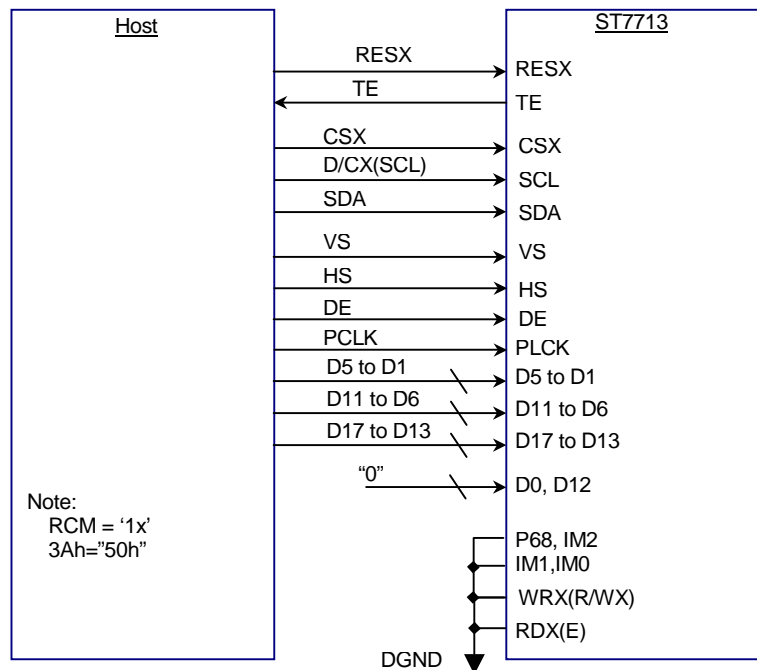


Fig. 13.3.3.2 RGB Interface for 16-bit data width

## 13.3.3.3 RGBInterface for 18-bit Data Width

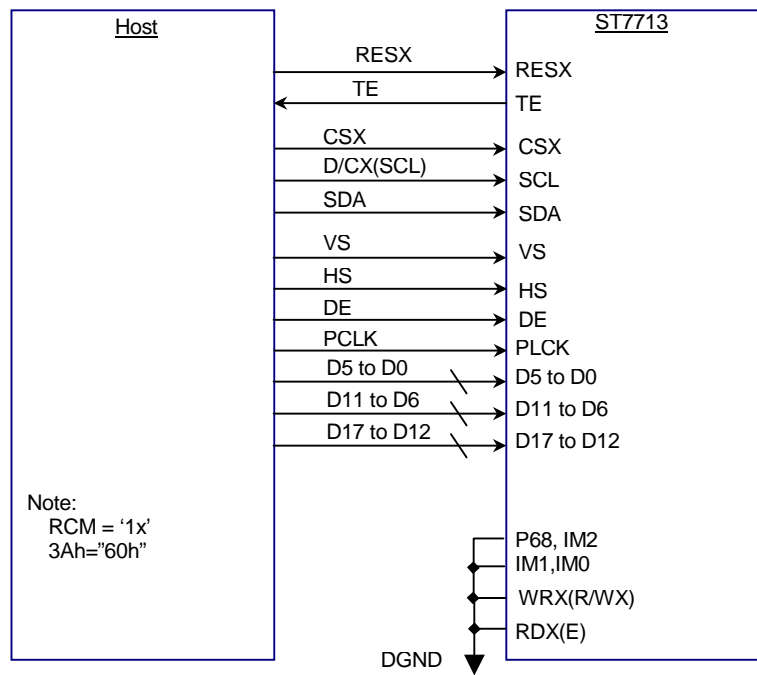


Fig. 13.3.3.3 RGB Interface for 18-bit data width

## 14. Revision History

<b>ST7713 Specification Revision History</b>		
<b>Version</b>	<b>Date</b>	<b>Description</b>
0.x		Preliminary version
1.0	2007/05	First issue
1.1	2007/06	Modify timing of 3-SPI and 4-SPI. (8.3, p-24; 8.4, p-25) Modify display off function. (10.1.18, p-114) Add notes of 262K read function (10.1.23, p-119; 10.1.33, p-128) Modify cap. rating voltage (11.2.2, p-147)
1.2	2007/07	Removed command 2Dh (10.1.24 p-100, p-119)
1.3	2007/08	Modify timing of CSX hold time for all I/F(8.1, p-21 8.2,p-23 8.4,p-24) Modify the power system diagram(11.2.1 p-146) Correct the typo of component table(11.2.2 p-147)
1.4	2007/09	Revise the waiting time of HW reset(9.18.3 P87) Revise the description of command 01h, 10h,11h, 28h(10.1.2 P105; 10.1.11 P110; 10.1.12 P111; 10.1.18 P114)
1.5	2007/10	Modify the description of power on/off sequence(9.15 P82) Remove table 9.18.3.1 reset input timing(9.18.3 P86) Modify the figure of reset timing (9.18.3 P86) Modify the waiting time of SWReset to 120ms(10.1.2 P104) Modify the waiting time of SLPout mode to 120ms(10.1.12 P110)
1.5.1	2007/11	Modify pad arrangement sketch (3 P3) Modify SHUT description (6.3 P16) Modify TESEL description (6.3 P17) Modify RGB Mode2 power on sequence on figure 9.9.15 and table 9.9.6.4 (9.9.6.4 P64)
1.5.2	2007/12	Modify supported MCU interface to 6-bits, 16-bits, 18-bits RGB interface with graphic controller (2 P1) Modify the Figure of RGB Interface for 6-bit data width(fig.13.3.3.1 P156) Modify the Figure of RGB Interface for 16-bit data width(fig.13.3.3.2 P156) Modify the Figure of RGB Interface for 18-bit data width(fig. 13.3.3.3 P157)
1.6	2008/05	Add structure of gamma resistance (P147)