

ST7735R

262K Color Single-Chip TFT Controller/Driver

1 Introduction

The ST7735R is a single-chip controller/driver for 262K-color, graphic type TFT-LCD. It consists of 396 source line and 162 gate line driving circuits. This chip is capable of connecting directly to an external microprocessor, and accepts Serial Peripheral Interface (SPI), 8-bit/9-bit/16-bit/18-bit parallel interface. Display data can be stored in the on-chip display data RAM of 132 x 162 x 18 bits. It can perform display data RAM read/write operation with no external operation clock to minimize power consumption. In addition, because of the integrated power supply circuits necessary to drive liquid crystal, it is possible to make a display system with fewer components.

2 Features

Single chip TFT-LCD Controller/Driver with RAM On-chip Display Data RAM (i.e. Frame Memory)

132 (H) x RGB x 162 (V) bits

LCD Driver Output Circuits:

Source Outputs: 132 RGB channels

Gate Outputs: 162 channels

Common electrode output

Display Colors (Color Mode)

Full Color: 262K, RGB=(666) max., Idle Mode OFF

Color Reduce: 8-color, RGB=(111), Idle Mode ON

Programmable Pixel Color Format (Color Depth) for Various Display Data input Format

12-bit/pixel: RGB=(444) using the 384k-bit frame memory and LUT

16-bit/pixel: RGB=(565) using the 384k-bit frame memory and LUT

18-bit/pixel: RGB=(666) using the 384k-bit frame memory and LUT

Various Interfaces

Parallel 8080-series MCU Interface (8-bit, 9-bit, 16-bit & 18-bit)

Parallel 6800-series MCU Interface (8-bit, 9-bit, 16-bit & 18-bit)

3-line serial interface

4-line serial interface

Display Features

Support both normal-black & normal-white LC

Software programmable color depth mode

Built-in Circuits

DC/DC converter

Adjustable VCOM generation

Non-volatile (NV) memory to store initial register setting

Oscillator for display clock generation

Factory default value (module ID, module version, etc) are stored in NV memory

Timing controller

Built-in NV Memory for LCD Initial Register Setting

7-bits for ID2

8-bits for ID3

7-bits for VCOM adjustment

Wide Supply Voltage Range

I/O Voltage (VDDI to DGND): 1.65V~3.7V (VDDI ≤ VDD)

Analog Voltage (VDD to AGND): 2.3V~4.8V

On-Chip Power System

Source Voltage (GVDD to AGND): 3.0V~4.5V

VCOM level (VCOM to AGND): -0.4V to -2.0V

Gate driver HIGH level (VGH to AGND): +10.0V to +15V

Gate driver LOW level (VGL to AGND): -13V to -7.5V

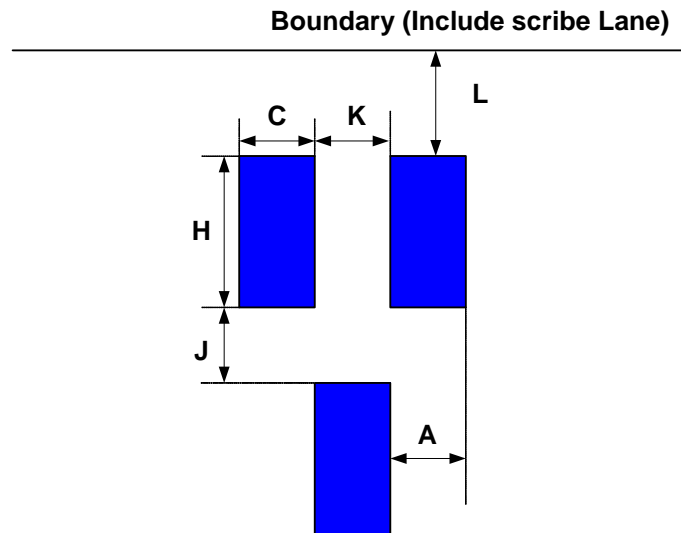
Operating Temperature: -30°C to +85°C

ST7735R	Parallel Interface: 8080,6800(8-bit/9-bit/16-bit/18-bit) Serial Interface: 3-line, 4-line	
----------------	--	--

Sitronix Technology Corp. reserves the right to change the contents in this document without prior notice.

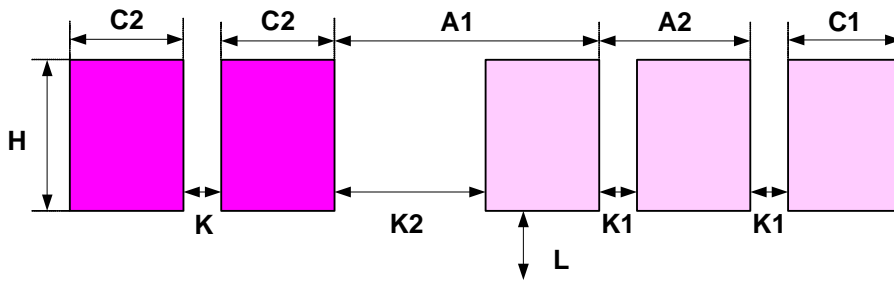
3 Pad arrangement

3.1 Output Bump Dimension



Item	Symbol	Size
Bump pitch	A	16 um
Bump width	C	16 um
Bump height	H	98 um
Bump gap1 (Vertical)	J	19 um
Bump gap2 (Horizontal)	K	16 um
Bump area	C x H	1568 um ²
Chip Boundary (include scribe Lane)	L	59 um

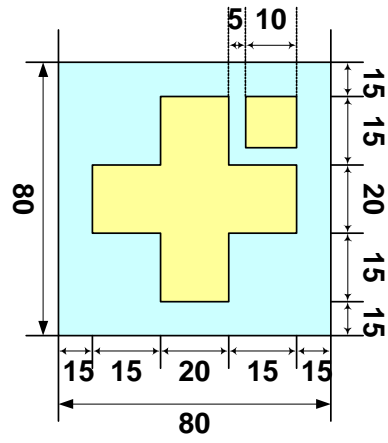
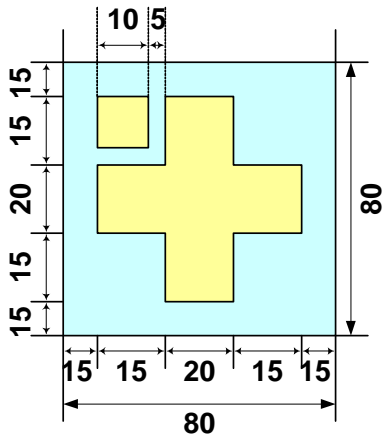
3.2 Input Bump Dimension



Boundary (Include scribe Lane)

Item	Symbol	Size
Bump pitch 1	A1	67 um
Bump pitch 2	A2	50 um
Bump width 1	C1	33 um
Bump width 2	C2	38 um
Bump height	H	88 um
Bump gap	K	22 um
Bump gap1	K1	17 um
Bump gap2	K2	34 um
Bump area 1	C1 X H	2904 um ²
Bump area 2	C2 X H	3344 um ²
Chip Boundary(include scribe Lane)	L	59 um

3.3 Alignment Mark Dimension



4 Pad Center Coordinates

No.	PAD Name	X	Y
1	Dummy	-4750	-231
2	VDDIO	-4700	-231
3	EXTC	-4650	-231
4	DGND	-4600	-231
5	IM[0]	-4550	-231
6	VDDIO	-4500	-231
7	IM[1]	-4450	-231
8	DGND	-4400	-231
9	P68	-4350	-231
10	VDDIO	-4300	-231
11	TEST1P	-4250	-231
12	DGND	-4200	-231
13	TEST2P	-4150	-231
14	VDDIO	-4100	-231
15	SRGB	-4050	-231
16	DGND	-4000	-231
17	SMX	-3950	-231
18	VDDIO	-3900	-231
19	SMY	-3850	-231
20	DGND	-3800	-231
21	Dummy	-3750	-231
22	VDDIO	-3700	-231
23	Dummy	-3650	-231
24	DGND	-3600	-231
25	Dummy	-3550	-231
26	VDDIO	-3500	-231
27	Dummy	-3450	-231
28	DGND	-3400	-231
29	Dummy	-3350	-231
30	VDDIO	-3300	-231
31	LCM	-3250	-231
32	DGND	-3200	-231
33	Dummy	-3150	-231
34	VDDIO	-3100	-231
35	Dummy	-3050	-231
36	DGND	-3000	-231
37	GM[1]	-2950	-231
38	VDDIO	-2900	-231
39	GM[0]	-2850	-231
40	DGND	-2800	-231
41	Dummy	-2750	-231
42	GS	-2700	-231
43	SPI4W	-2650	-231
44	VDDIO	-2600	-231
45	TESTOP[8]	-2550	-231
46	TESTOP[7]	-2500	-231
47	TESTOP[6]	-2450	-231
48	TESTOP[5]	-2400	-231
49	TESTOP[4]	-2350	-231
50	OSC	-2300	-231

No.	PAD Name	X	Y
51	VDD	-2250	-231
52	VDD	-2200	-231
53	VDD	-2150	-231
54	VDD	-2100	-231
55	VDD	-2050	-231
56	VDD	-2000	-231
57	AGND	-1950	-231
58	AGND	-1900	-231
59	AGND	-1850	-231
60	AGND	-1800	-231
61	AGND	-1750	-231
62	AGND	-1700	-231
63	RDX	-1630	-231
64	D_CX	-1570	-231
65	TESEL	-1510	-231
66	DGND	-1450	-231
67	D[17]	-1390	-231
68	D[16]	-1330	-231
69	D[15]	-1270	-231
70	D[14]	-1210	-231
71	D[13]	-1150	-231
72	D[12]	-1090	-231
73	D[11]	-1030	-231
74	D[10]	-970	-231
75	D[9]	-910	-231
76	D[8]	-850	-231
77	D[1]	-790	-231
78	D[3]	-730	-231
79	D[5]	-670	-231
80	D[7]	-610	-231
81	TE	-550	-231
82	RESX	-490	-231
83	CSX	-430	-231
84	D[6]	-370	-231
85	D[4]	-310	-231
86	D[2]	-250	-231
87	IM[2]	-190	-231
88	D[0]	-130	-231
89	WRX	-70	-231
90	Dummy	0	-231
91	Dummy	50	-231
92	Dummy	100	-231
93	Dummy	150	-231
94	TESTOP[3]	200	-231
95	TESTOP[2]	250	-231
96	TESTOP[1]	300	-231
97	DGND	350	-231
98	DGND	400	-231
99	DGND	450	-231
100	DGND	500	-231

No.	PAD Name	X	Y
101	DGND	550	-231
102	DGND	600	-231
103	VDDI	650	-231
104	VDDI	700	-231
105	VDDI	750	-231
106	VDDI	800	-231
107	VDDI	850	-231
108	VDDI	900	-231
109	VPP	950	-231
110	VPP	1000	-231
111	VPP	1050	-231
112	GVDD	1100	-231
113	GVDD	1150	-231
114	GVDD	1200	-231
115	VCC	1250	-231
116	Dummy	1300	-231
117	Dummy	1350	-231
118	GVCL	1400	-231
119	Dummy	1450	-231
120	AVDD	1500	-231
121	AVDD	1550	-231
122	AVDD	1600	-231
123	AVDD	1650	-231
124	AVDD	1700	-231
125	Dummy	1750	-231
126	Dummy	1800	-231
127	Dummy	1850	-231
128	Dummy	1900	-231
129	Dummy	1950	-231
130	Dummy	2000	-231
131	Dummy	2050	-231
132	Dummy	2100	-231
133	Dummy	2150	-231
134	Dummy	2200	-231
135	Dummy	2250	-231
136	Dummy	2300	-231
137	Dummy	2350	-231
138	Dummy	2400	-231
139	Dummy	2450	-231
140	Dummy	2500	-231
141	Dummy	2550	-231
142	Dummy	2600	-231
143	Dummy	2650	-231
144	Dummy	2700	-231
145	Dummy	2750	-231
146	AGND	2800	-231
147	AGND	2850	-231
148	AGND	2900	-231
149	AVCL	2950	-231
150	AVCL	3000	-231

ST7735R

No.	PAD Name	X	Y
151	AVCL	3050	-231
152	Dummy	3100	-231
153	Dummy	3150	-231
154	Dummy	3200	-231
155	Dummy	3250	-231
156	Dummy	3300	-231
157	Dummy	3350	-231
158	Dummy	3400	-231
159	Dummy	3450	-231
160	Dummy	3500	-231
161	Dummy	3550	-231
162	Dummy	3600	-231
163	Dummy	3650	-231
164	Dummy	3700	-231
165	Dummy	3750	-231
166	Dummy	3800	-231
167	Dummy	3850	-231
168	Dummy	3900	-231
169	Dummy	3950	-231
170	VGL	4000	-231
171	Dummy	4050	-231
172	Dummy	4100	-231
173	VGH	4150	-231
174	Dummy	4200	-231
175	Dummy	4250	-231
176	Dummy	4300	-231
177	Dummy	4350	-231
178	Dummy	4400	-231
179	Dummy	4450	-231
180	Dummy	4500	-231
181	Dummy	4550	-231
182	VCOM	4600	-231
183	VCOM	4650	-231
184	VCOM	4700	-231
185	Dummy	4750	-231
186	Dummy	4772	110
187	Dummy	4756	227
188	G162	4740	110
189	G160	4724	227
190	G158	4708	110
191	G156	4692	227
192	G154	4676	110
193	G152	4660	227
194	G150	4644	110
195	G148	4628	227
196	G146	4612	110
197	G144	4596	227
198	G142	4580	110
199	G140	4564	227
200	G138	4548	110

No.	PAD Name	X	Y
201	G136	4532	227
202	G134	4516	110
203	G132	4500	227
204	G130	4484	110
205	G128	4468	227
206	G126	4452	110
207	G124	4436	227
208	G122	4420	110
209	G120	4404	227
210	G118	4388	110
211	G116	4372	227
212	G114	4356	110
213	G112	4340	227
214	G110	4324	110
215	G108	4308	227
216	G106	4292	110
217	G104	4276	227
218	G102	4260	110
219	G100	4244	227
220	G98	4228	110
221	G96	4212	227
222	G94	4196	110
223	G92	4180	227
224	G90	4164	110
225	G88	4148	227
226	G86	4132	110
227	G84	4116	227
228	G82	4100	110
229	G80	4084	227
230	G78	4068	110
231	G76	4052	227
232	G74	4036	110
233	G72	4020	227
234	G70	4004	110
235	G68	3988	227
236	G66	3972	110
237	G64	3956	227
238	G62	3940	110
239	G60	3924	227
240	G58	3908	110
241	G56	3892	227
242	G54	3876	110
243	G52	3860	227
244	G50	3844	110
245	G48	3828	227
246	G46	3812	110
247	G44	3796	227
248	G42	3780	110
249	G40	3764	227
250	G38	3748	110

No.	PAD Name	X	Y
251	G36	3732	227
252	G34	3716	110
253	G32	3700	227
254	G30	3684	110
255	G28	3668	227
256	G26	3652	110
257	G24	3636	227
258	G22	3620	110
259	G20	3604	227
260	G18	3588	110
261	G16	3572	227
262	G14	3556	110
263	G12	3540	227
264	G10	3524	110
265	G8	3508	227
266	G6	3492	110
267	G4	3476	227
268	G2	3460	110
269	Dummy	3444	227
270	Dummy	3428	110
271	Dummy	3412	227
272	Dummy	3396	110
273	S396	3380	227
274	S395	3364	110
275	S394	3348	227
276	S393	3332	110
277	S392	3316	227
278	S391	3300	110
279	S390	3284	227
280	S389	3268	110
281	S388	3252	227
282	S387	3236	110
283	S386	3220	227
284	S385	3204	110
285	S384	3188	227
286	S383	3172	110
287	S382	3156	227
288	S381	3140	110
289	S380	3124	227
290	S379	3108	110
291	S378	3092	227
292	S377	3076	110
293	S376	3060	227
294	S375	3044	110
295	S374	3028	227
296	S373	3012	110
297	S372	2996	227
298	S371	2980	110
299	S370	2964	227
300	S369	2948	110

ST7735R

No.	PAD Name	X	Y
301	S368	2932	227
302	S367	2916	110
303	S366	2900	227
304	S365	2884	110
305	S364	2868	227
306	S363	2852	110
307	S362	2836	227
308	S361	2820	110
309	S360	2804	227
310	S359	2788	110
311	S358	2772	227
312	S357	2756	110
313	S356	2740	227
314	S355	2724	110
315	S354	2708	227
316	S353	2692	110
317	S352	2676	227
318	S351	2660	110
319	S350	2644	227
320	S349	2628	110
321	S348	2612	227
322	S347	2596	110
323	S346	2580	227
324	S345	2564	110
325	S344	2548	227
326	S343	2532	110
327	S342	2516	227
328	S341	2500	110
329	S340	2484	227
330	S339	2468	110
331	S338	2452	227
332	S337	2436	110
333	S336	2420	227
334	S335	2404	110
335	S334	2388	227
336	S333	2372	110
337	S332	2356	227
338	S331	2340	110
339	S330	2324	227
340	S329	2308	110
341	S328	2292	227
342	S327	2276	110
343	S326	2260	227
344	S325	2244	110
345	S324	2228	227
346	S323	2212	110
347	S322	2196	227
348	S321	2180	110
349	S320	2164	227
350	S319	2148	110

No.	PAD Name	X	Y
351	S318	2132	227
352	S317	2116	110
353	S316	2100	227
354	S315	2084	110
355	S314	2068	227
356	S313	2052	110
357	S312	2036	227
358	S311	2020	110
359	S310	2004	227
360	S309	1988	110
361	S308	1972	227
362	S307	1956	110
363	S306	1940	227
364	S305	1924	110
365	S304	1908	227
366	S303	1892	110
367	S302	1876	227
368	S301	1860	110
369	S300	1844	227
370	S299	1828	110
371	S298	1812	227
372	S297	1796	110
373	S296	1780	227
374	S295	1764	110
375	S294	1748	227
376	S293	1732	110
377	S292	1716	227
378	S291	1700	110
379	S290	1684	227
380	S289	1668	110
381	S288	1652	227
382	S287	1636	110
383	S286	1620	227
384	S285	1604	110
385	S284	1588	227
386	S283	1572	110
387	S282	1556	227
388	S281	1540	110
389	S280	1524	227
390	S279	1508	110
391	S278	1492	227
392	S277	1476	110
393	S276	1460	227
394	S275	1444	110
395	S274	1428	227
396	S273	1412	110
397	S272	1396	227
398	S271	1380	110
399	S270	1364	227
400	S269	1348	110

No.	PAD Name	X	Y
401	S268	1332	227
402	S267	1316	110
403	S266	1300	227
404	S265	1284	110
405	S264	1268	227
406	S263	1252	110
407	S262	1236	227
408	S261	1220	110
409	S260	1204	227
410	S259	1188	110
411	S258	1172	227
412	S257	1156	110
413	S256	1140	227
414	S255	1124	110
415	S254	1108	227
416	S253	1092	110
417	S252	1076	227
418	S251	1060	110
419	S250	1044	227
420	S249	1028	110
421	S248	1012	227
422	S247	996	110
423	S246	980	227
424	S245	964	110
425	S244	948	227
426	S243	932	110
427	S242	916	227
428	S241	900	110
429	S240	884	227
430	S239	868	110
431	S238	852	227
432	S237	836	110
433	S236	820	227
434	S235	804	110
435	S234	788	227
436	S233	772	110
437	S232	756	227
438	S231	740	110
439	S230	724	227
440	S229	708	110
441	S228	692	227
442	S227	676	110
443	S226	660	227
444	S225	644	110
445	S224	628	227
446	S223	612	110
447	S222	596	227
448	S221	580	110
449	S220	564	227
450	S219	548	110

ST7735R

No.	PAD Name	X	Y
451	S218	532	227
452	S217	516	110
453	S216	500	227
454	S215	484	110
455	S214	468	227
456	S213	452	110
457	S212	436	227
458	S211	420	110
459	S210	404	227
460	S209	388	110
461	S208	372	227
462	S207	356	110
463	S206	340	227
464	S205	324	110
465	S204	308	227
466	S203	292	110
467	S202	276	227
468	S201	260	110
469	S200	244	227
470	S199	228	110
471	Dummy	212	227
472	Dummy	196	110
473	Dummy	-196	110
474	Dummy	-212	227
475	S198	-228	110
476	S197	-244	227
477	S196	-260	110
478	S195	-276	227
479	S194	-292	110
480	S193	-308	227
481	S192	-324	110
482	S191	-340	227
483	S190	-356	110
484	S189	-372	227
485	S188	-388	110
486	S187	-404	227
487	S186	-420	110
488	S185	-436	227
489	S184	-452	110
490	S183	-468	227
491	S182	-484	110
492	S181	-500	227
493	S180	-516	110
494	S179	-532	227
495	S178	-548	110
496	S177	-564	227
497	S176	-580	110
498	S175	-596	227
499	S174	-612	110
500	S173	-628	227

No.	PAD Name	X	Y
501	S172	-644	110
502	S171	-660	227
503	S170	-676	110
504	S169	-692	227
505	S168	-708	110
506	S167	-724	227
507	S166	-740	110
508	S165	-756	227
509	S164	-772	110
510	S163	-788	227
511	S162	-804	110
512	S161	-820	227
513	S160	-836	110
514	S159	-852	227
515	S158	-868	110
516	S157	-884	227
517	S156	-900	110
518	S155	-916	227
519	S154	-932	110
520	S153	-948	227
521	S152	-964	110
522	S151	-980	227
523	S150	-996	110
524	S149	-1012	227
525	S148	-1028	110
526	S147	-1044	227
527	S146	-1060	110
528	S145	-1076	227
529	S144	-1092	110
530	S143	-1108	227
531	S142	-1124	110
532	S141	-1140	227
533	S140	-1156	110
534	S139	-1172	227
535	S138	-1188	110
536	S137	-1204	227
537	S136	-1220	110
538	S135	-1236	227
539	S134	-1252	110
540	S133	-1268	227
541	S132	-1284	110
542	S131	-1300	227
543	S130	-1316	110
544	S129	-1332	227
545	S128	-1348	110
546	S127	-1364	227
547	S126	-1380	110
548	S125	-1396	227
549	S124	-1412	110
550	S123	-1428	227

No.	PAD Name	X	Y
551	S122	-1444	110
552	S121	-1460	227
553	S120	-1476	110
554	S119	-1492	227
555	S118	-1508	110
556	S117	-1524	227
557	S116	-1540	110
558	S115	-1556	227
559	S114	-1572	110
560	S113	-1588	227
561	S112	-1604	110
562	S111	-1620	227
563	S110	-1636	110
564	S109	-1652	227
565	S108	-1668	110
566	S107	-1684	227
567	S106	-1700	110
568	S105	-1716	227
569	S104	-1732	110
570	S103	-1748	227
571	S102	-1764	110
572	S101	-1780	227
573	S100	-1796	110
574	S99	-1812	227
575	S98	-1828	110
576	S97	-1844	227
577	S96	-1860	110
578	S95	-1876	227
579	S94	-1892	110
580	S93	-1908	227
581	S92	-1924	110
582	S91	-1940	227
583	S90	-1956	110
584	S89	-1972	227
585	S88	-1988	110
586	S87	-2004	227
587	S86	-2020	110
588	S85	-2036	227
589	S84	-2052	110
590	S83	-2068	227
591	S82	-2084	110
592	S81	-2100	227
593	S80	-2116	110
594	S79	-2132	227
595	S78	-2148	110
596	S77	-2164	227
597	S76	-2180	110
598	S75	-2196	227
599	S74	-2212	110
600	S73	-2228	227

ST7735R

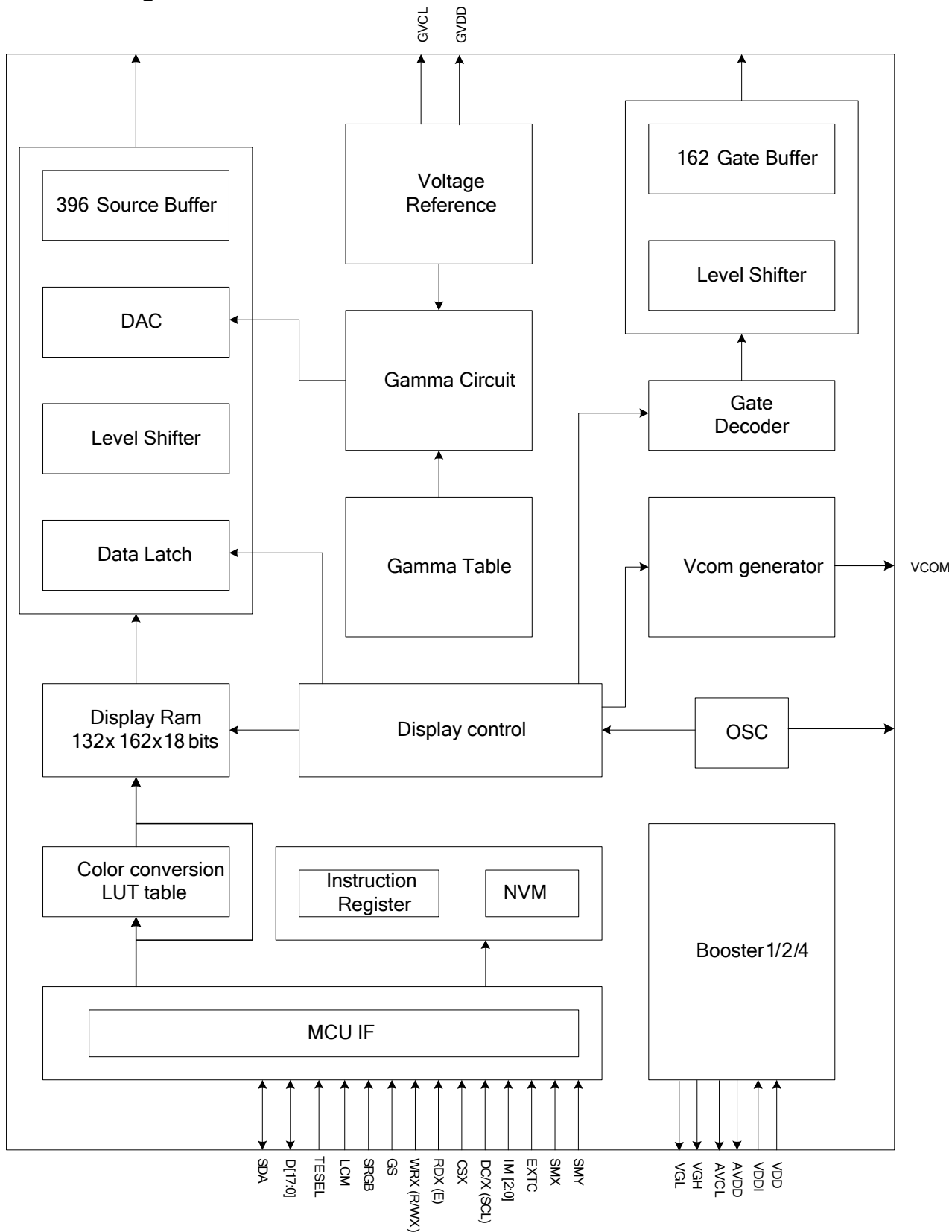
No.	PAD Name	X	Y
601	S72	-2244	110
602	S71	-2260	227
603	S70	-2276	110
604	S69	-2292	227
605	S68	-2308	110
606	S67	-2324	227
607	S66	-2340	110
608	S65	-2356	227
609	S64	-2372	110
610	S63	-2388	227
611	S62	-2404	110
612	S61	-2420	227
613	S60	-2436	110
614	S59	-2452	227
615	S58	-2468	110
616	S57	-2484	227
617	S56	-2500	110
618	S55	-2516	227
619	S54	-2532	110
620	S53	-2548	227
621	S52	-2564	110
622	S51	-2580	227
623	S50	-2596	110
624	S49	-2612	227
625	S48	-2628	110
626	S47	-2644	227
627	S46	-2660	110
628	S45	-2676	227
629	S44	-2692	110
630	S43	-2708	227
631	S42	-2724	110
632	S41	-2740	227
633	S40	-2756	110
634	S39	-2772	227
635	S38	-2788	110
636	S37	-2804	227
637	S36	-2820	110
638	S35	-2836	227
639	S34	-2852	110
640	S33	-2868	227
641	S32	-2884	110
642	S31	-2900	227
643	S30	-2916	110
644	S29	-2932	227
645	S28	-2948	110
646	S27	-2964	227
647	S26	-2980	110
648	S25	-2996	227
649	S24	-3012	110
650	S23	-3028	227

No.	PAD Name	X	Y
651	S22	-3044	110
652	S21	-3060	227
653	S20	-3076	110
654	S19	-3092	227
655	S18	-3108	110
656	S17	-3124	227
657	S16	-3140	110
658	S15	-3156	227
659	S14	-3172	110
660	S13	-3188	227
661	S12	-3204	110
662	S11	-3220	227
663	S10	-3236	110
664	S9	-3252	227
665	S8	-3268	110
666	S7	-3284	227
667	S6	-3300	110
668	S5	-3316	227
669	S4	-3332	110
670	S3	-3348	227
671	S2	-3364	110
672	S1	-3380	227
673	Dummy	-3396	110
674	Dummy	-3412	227
675	Dummy	-3428	110
676	Dummy	-3444	227
677	G1	-3460	110
678	G3	-3476	227
679	G5	-3492	110
680	G7	-3508	227
681	G9	-3524	110
682	G11	-3540	227
683	G13	-3556	110
684	G15	-3572	227
685	G17	-3588	110
686	G19	-3604	227
687	G21	-3620	110
688	G23	-3636	227
689	G25	-3652	110
690	G27	-3668	227
691	G29	-3684	110
692	G31	-3700	227
693	G33	-3716	110
694	G35	-3732	227
695	G37	-3748	110
696	G39	-3764	227
697	G41	-3780	110
698	G43	-3796	227
699	G45	-3812	110
700	G47	-3828	227

No.	PAD Name	X	Y
701	G49	-3844	110
702	G51	-3860	227
703	G53	-3876	110
704	G55	-3892	227
705	G57	-3908	110
706	G59	-3924	227
707	G61	-3940	110
708	G63	-3956	227
709	G65	-3972	110
710	G67	-3988	227
711	G69	-4004	110
712	G71	-4020	227
713	G73	-4036	110
714	G75	-4052	227
715	G77	-4068	110
716	G79	-4084	227
717	G81	-4100	110
718	G83	-4116	227
719	G85	-4132	110
720	G87	-4148	227
721	G89	-4164	110
722	G91	-4180	227
723	G93	-4196	110
724	G95	-4212	227
725	G97	-4228	110
726	G99	-4244	227
727	G101	-4260	110
728	G103	-4276	227
729	G105	-4292	110
730	G107	-4308	227
731	G109	-4324	110
732	G111	-4340	227
733	G113	-4356	110
734	G115	-4372	227
735	G117	-4388	110
736	G119	-4404	227
737	G121	-4420	110
738	G123	-4436	227
739	G125	-4452	110
740	G127	-4468	227
741	G129	-4484	110
742	G131	-4500	227
743	G133	-4516	110
744	G135	-4532	227
745	G137	-4548	110
746	G139	-4564	227
747	G141	-4580	110
748	G143	-4596	227
749	G145	-4612	110
750	G147	-4628	227

No.	PAD Name	X	Y
751	G149	-4644	110
752	G151	-4660	227
753	G153	-4676	110
754	G155	-4692	227
755	G157	-4708	110
756	G159	-4724	227
757	G161	-4740	110
758	Dummy	-4756	227
759	Dummy	-4772	110
	ALIGNMENT R	4841	-220
	ALIGNMENT L	-4841	-220

5 Block diagram



6 Driver IC Pin Description

6.1 Power Supply Pin

Name	I/O	Description	Connect pin
VDD	I	Power supply for analog, digital system and booster circuit.	VDD
VDDI	I	Power supply for I/O system.	VDDI
AGND	I	System ground for analog system and booster circuit.	GND
DGND	I	System ground for I/O system and digital system.	GND

6.2 Interface logic pin

Name	I/O	Description	Connect pin															
P68	I	-8080/6800 MCU interface mode select. -P68='1', select 6800 MCU parallel interface. -P68='0', select 8080 MCU parallel interface. -If not used, please fix this pin at DGND level.	DGND/VDDI															
IM2	I	MCU Parallel interface bus and Serial interface select IM2='1', Parallel interface IM2='0', Serial interface	DGND/VDDI															
IM1,IM0	I	- MCU parallel interface type selection -If not used, please fix this pin at VDDI or DGND level. <table border="1" data-bbox="395 1066 1198 1323"> <thead> <tr> <th>IM1</th> <th>IM0</th> <th>Parallel interface</th> </tr> </thead> <tbody> <tr> <td>0</td> <td>0</td> <td>MCU 8-bit parallel</td> </tr> <tr> <td>0</td> <td>1</td> <td>MCU 16-bit parallel</td> </tr> <tr> <td>1</td> <td>0</td> <td>MCU 9-bit parallel</td> </tr> <tr> <td>1</td> <td>1</td> <td>MCU 18-bit parallel</td> </tr> </tbody> </table>	IM1	IM0	Parallel interface	0	0	MCU 8-bit parallel	0	1	MCU 16-bit parallel	1	0	MCU 9-bit parallel	1	1	MCU 18-bit parallel	DGND/VDDI
IM1	IM0	Parallel interface																
0	0	MCU 8-bit parallel																
0	1	MCU 16-bit parallel																
1	0	MCU 9-bit parallel																
1	1	MCU 18-bit parallel																
SPI4W	I	- SPI4W='0', 3-line SPI enable. - SPI4W='1', 4-line SPI enable. -If not used, please fix this pin at DGND level.	DGND/VDDI															
RESX	I	-This signal will reset the device and it must be applied to properly initialize the chip. -Signal is active low.	MCU															
CSX	I	-Chip selection pin -Low enable.	MCU															
D/CX (SCL)	I	-Display data/command selection pin in MCU interface. -D/CX='1': display data or parameter. -D/CX='0': command data. -In serial interface, this is used as SCL. -If not used, please fix this pin at VDDI or DGND level.	MCU															
RDX	I	-Read enable in 8080 MCU parallel interface. -If not used, please fix this pin at VDDI or DGND level.	MCU															

ST7735R

WRX (D/CX)	I	-Write enable in MCU parallel interface. -In 4-line SPI, this pin is used as D/CX (data/ command selection). -If not used, please fix this pin at VDDI or DGND level.	MCU
D[17:0]	I/O	-D[17:0] are used as MCU parallel interface data bus. -D0 is the serial input/output signal in serial interface mode. -In serial interface, D[17:1] are not used and should be fixed at VDDI or DGND level.	MCU
TE	O	-Tearing effect output pin to synchronies MCU to frame rate, activated by S/W command. -If not used, please open this pin.	MCU
OSC	O	-Monitoring pin of internal oscillator clock and is turned ON/OFF by S/W command. -When this pin is inactive (function OFF), this pin is DGND level. -If not used, please open this pin.	-

Note1. When in parallel mode, no use data pin must be connected to "1" or "0".

Note2. When CSX="1", there is no influence to the parallel and serial interface.

6.3 Mode selection pin

Name	I/O	Description	Connect pin														
EXTC	I	<p>-During normal operation, please open this pin.</p> <table border="1"> <thead> <tr> <th>EXTC</th> <th>Enable/disable modification of extend command</th> </tr> </thead> <tbody> <tr> <td>0</td> <td>Normal operation mode</td> </tr> <tr> <td>1</td> <td>Use NVM command set</td> </tr> </tbody> </table>	EXTC	Enable/disable modification of extend command	0	Normal operation mode	1	Use NVM command set	Open								
EXTC	Enable/disable modification of extend command																
0	Normal operation mode																
1	Use NVM command set																
GM1, GM0	I	<p>-Panel resolution selection pins.</p> <table border="1"> <thead> <tr> <th>G</th> <th>G</th> <th rowspan="2">Selection of panel resolution</th> </tr> <tr> <th>M</th> <th>M</th> </tr> </thead> <tbody> <tr> <td>1</td> <td>0</td> <td></td> </tr> <tr> <td>0</td> <td>0</td> <td>132RGB x 162 (S1~S396 & G1~G162 output)</td> </tr> <tr> <td>1</td> <td>1</td> <td>128RGB x 160 (S7~S390 & G2~G161 output)</td> </tr> </tbody> </table>	G	G	Selection of panel resolution	M	M	1	0		0	0	132RGB x 162 (S1~S396 & G1~G162 output)	1	1	128RGB x 160 (S7~S390 & G2~G161 output)	VDDI/DGND
G	G	Selection of panel resolution															
M	M																
1	0																
0	0	132RGB x 162 (S1~S396 & G1~G162 output)															
1	1	128RGB x 160 (S7~S390 & G2~G161 output)															
SRGB	I	<p>-RGB direction select H/W pin for color filter setting.</p> <table border="1"> <thead> <tr> <th>SRGB</th> <th>RGB arrangement</th> </tr> </thead> <tbody> <tr> <td>0</td> <td>S1, S2, S3 filter order = 'R', 'G', 'B'</td> </tr> <tr> <td>1</td> <td>S1, S2, S3 filter order = 'B', 'G', 'R'</td> </tr> </tbody> </table>	SRGB	RGB arrangement	0	S1, S2, S3 filter order = 'R', 'G', 'B'	1	S1, S2, S3 filter order = 'B', 'G', 'R'	VDDI/DGND								
SRGB	RGB arrangement																
0	S1, S2, S3 filter order = 'R', 'G', 'B'																
1	S1, S2, S3 filter order = 'B', 'G', 'R'																
SMX	I	<p>-Module source output direction H/W selection pin.</p> <table border="1"> <thead> <tr> <th>SMX</th> <th colspan="2">Scanning direction of source output</th> </tr> <tr> <td></td> <th>GM= '00'</th> <th>GM= '11'</th> </tr> </thead> <tbody> <tr> <td>0</td> <td>S1 -> S396</td> <td>S7 -> S390</td> </tr> <tr> <td>1</td> <td>S396 -> S1</td> <td>S390 -> S7</td> </tr> </tbody> </table>	SMX	Scanning direction of source output			GM= '00'	GM= '11'	0	S1 -> S396	S7 -> S390	1	S396 -> S1	S390 -> S7	VDDI/DGND		
SMX	Scanning direction of source output																
	GM= '00'	GM= '11'															
0	S1 -> S396	S7 -> S390															
1	S396 -> S1	S390 -> S7															
SMY	I	<p>-Module Gate output direction H/W selection pin.</p> <table border="1"> <thead> <tr> <th>SMY</th> <th colspan="2">Scanning direction of gate output</th> </tr> <tr> <td></td> <th>GM= '00'</th> <th>GM= '11'</th> </tr> </thead> <tbody> <tr> <td>0</td> <td>G1 -> G162</td> <td>G2 -> G161</td> </tr> <tr> <td>1</td> <td>G162 -> G1</td> <td>G161 -> G2</td> </tr> </tbody> </table>	SMY	Scanning direction of gate output			GM= '00'	GM= '11'	0	G1 -> G162	G2 -> G161	1	G162 -> G1	G161 -> G2	VDDI/DGND		
SMY	Scanning direction of gate output																
	GM= '00'	GM= '11'															
0	G1 -> G162	G2 -> G161															
1	G162 -> G1	G161 -> G2															
LCM	I	<p>-Liquid crystal (LC) type selection pins.</p> <table border="1"> <thead> <tr> <th>LCM</th> <th>Selection of LC type</th> </tr> </thead> <tbody> <tr> <td>0</td> <td>Normally white LC type</td> </tr> <tr> <td>1</td> <td>Normally black LC type</td> </tr> </tbody> </table>	LCM	Selection of LC type	0	Normally white LC type	1	Normally black LC type	VDDI/DGND								
LCM	Selection of LC type																
0	Normally white LC type																
1	Normally black LC type																
GS	I	<p>-Gamma curve selection pin.</p> <table border="1"> <thead> <tr> <th>GS</th> <th>Selection of gamma curve</th> </tr> </thead> <tbody> <tr> <td>0</td> <td>GC0=1.0, GC1=2.5, GC2=2.2, GC3=1.8</td> </tr> <tr> <td>1</td> <td>GC0=2.2, GC1=1.8, GC2=2.5, GC3=1.0</td> </tr> </tbody> </table>	GS	Selection of gamma curve	0	GC0=1.0, GC1=2.5, GC2=2.2, GC3=1.8	1	GC0=2.2, GC1=1.8, GC2=2.5, GC3=1.0	VDDI/DGND								
GS	Selection of gamma curve																
0	GC0=1.0, GC1=2.5, GC2=2.2, GC3=1.8																
1	GC0=2.2, GC1=1.8, GC2=2.5, GC3=1.0																

VPP	I	When writing NVM, it needs external power supply voltage (7.5V).							
TESEL	I	<p>Input pin to select horizontal line number in TE signal.</p> <p>This pin is only for GM[1:0]='00' mode</p> <table border="1"> <thead> <tr> <th>TESEL</th> <th>Selection of gamma curve</th> </tr> </thead> <tbody> <tr> <td>0</td> <td>TE output 162 lines</td> </tr> <tr> <td>1</td> <td>TE output 160 lines</td> </tr> </tbody> </table>	TESEL	Selection of gamma curve	0	TE output 162 lines	1	TE output 160 lines	VDDI/DGND
TESEL	Selection of gamma curve								
0	TE output 162 lines								
1	TE output 160 lines								

6.4 Driver output pins

Name	I/O	Description	Connect pin
S1 to S396	O	- Source driver output pins.	-
G1 to G162	O	- Gate driver output pins.	-
AVDD	O	Power pin for analog circuits. Connect a capacitor for stabilization.	Capacitor
AVCL	O	- A power supply pin for generating GVCL. - Connect a capacitor for stabilization.	Capacitor
VGH	O	- Power output pin for gate driver	
VGL	O	- Power output (Negative) pin for gate driver	
GVDD	O	- A power output of grayscale voltage generator. - When internal GVDD generator is not used, connect an external power supply (AVDD-0.5V) to this pin.	
GVCL	O	- A power output(Negative) of grayscale voltage generator. - When internal GVCL generator is not used, connect an external power supply (AVCL+0.5V) to this pin.	-
VCOM	O	- A power supply for the TFT-LCD common electrode.	Common electrode
VCC	O	- Monitoring pin of internal digital reference voltage. - Please open these pins.	
VDDIO	O	- VDDI voltage output level for monitoring.	-
DGND0	O	- DGND voltage output level for monitoring.	-

6.5 Test pins

Name	I/O	Description	Connect pin
TEST2P TEST1P	I	-These test pins for Driver vender test used. -Please connect these pins to DGND.	DGND
TESTOP[8] TESTOP[7] TESTOP[6] TESTOP[5] TESTOP[4] TESTOP[3] TESTOP[2] TESTOP[1]	O	-These test pins for Driver vender test used. -Please open these pins.	Open
Dummy	-	-These pins are dummy (have no function inside). -Can allow signal traces pass through these pads on TFT glass. -Please open these pins.	Open

7 Driver electrical characteristics

7.1 Absolute operation range

Item	Symbol	Rating	Unit
Supply voltage	VDD	- 0.3 ~ +4.6	V
Supply voltage (Logic)	VDDI	- 0.3 ~ +4.6	V
Supply voltage (Digital)	VCC	-0.3 ~ +1.95	V
Driver supply voltage	VGH-VGL	-0.3 ~ +30.0	V
Logic input voltage range	VIN	0.3 ~ VDDI + 0.3	V
Logic output voltage range	VO	0.3 ~ VDDI + 0.3	V
Operating temperature range	TOPR	-30 ~ +85	°C
Storage temperature range	TSTG	-40 ~ +125	°C

Note: If one of the above items is exceeded its maximum limitation momentarily, the quality of the product may be degraded. Absolute maximum limitation, therefore, specify the values exceeding which the product may be physically damaged. Be sure to use the product within the recommend range.

7.2 DC characteristic

Parameter	Symbol	Condition	Specification			Unit	Related Pins
			Min	Typ	Max		
Power & operation voltage							
System voltage	VDD	Operating voltage	2.3	2.75	4.8	V	
Interface operation voltage	VDDI	I/O supply voltage	1.65	1.8	3.7	V	
Gate driver high voltage	VGH		10		15	V	
Gate driver low voltage	VGL		-12.4		-7.5	V	
Gate driver supply voltage		VGH-VGL	17.5		27.5	V	
Input / Output							
Logic-high input voltage	VIH		0.7VDDI		VDDI	V	Note 1
Logic-low input voltage	VIL		VSS		0.3VDDI	V	Note 1
Logic-high output voltage	VOH	IOH = -1.0mA	0.8VDDI		VDDI	V	Note 1
Logic-low output voltage	VOL	IOL = +1.0mA	VSS		0.2VDDI	V	Note 1
Logic-high input current	IIH	VIN = VDDI			1	uA	Note 1
Logic-low input current	IIL	VIN = VSS	-1			uA	Note 1
Input leakage current	IIL	IOH = -1.0mA	-0.1		+0.1	uA	Note 1
VCOM voltage							
VCOM amplitude	VCOM		-2		-0.425	V	
Source driver							
Source output range	Vsout		0.1		GVDD	V	
Gamma reference voltage	GVDD		3.0		5.0	V	
Source output settling time	Tr	Below with 99% precision			20	us	Note 2
Output offset voltage	Voffset				35	mV	Note 3

Notes:

1. TA= -30 to 85°C.
2. Source channel loading= 2KΩ+12pF/channel, Gate channel loading=5KΩ+40pF/channel.
3. The Max. value is between measured point of source output and gamma setting value.

7.3 Power consumption

Ta=25°C, Frame rate = 60Hz, the registers setting are IC default setting.

Operation mode	Image	Current consumption			
		Typical		Maximum	
		IDDI (mA)	IDD (mA)	IDDI (mA)	IDD (mA)
Normal mode	Note 1	TBD	TBD	TBD	TBD
	Note 2	TBD	TBD	TBD	TBD
Partial + Idle mode (40 lines)	Note 1	TBD	TBD	TBD	TBD
	Note 2	TBD	TBD	TBD	TBD
Sleep-in mode	N/A	TBD	TBD	TBD	TBD

Notes:

1. All pixels black.
2. All pixels white.
3. The Current Consumption is DC characteristics of ST7735R.
4. Typical: VDDI=1.8V, VDD=2.75V; Maximum: VDDI=1.65 to 3.7V, VDD=2.3 to 4.8V

8 Timing chart

8.1 Parallel interface characteristics: 18, 16, 9 or 8-bit bus (8080 series MCU interface)

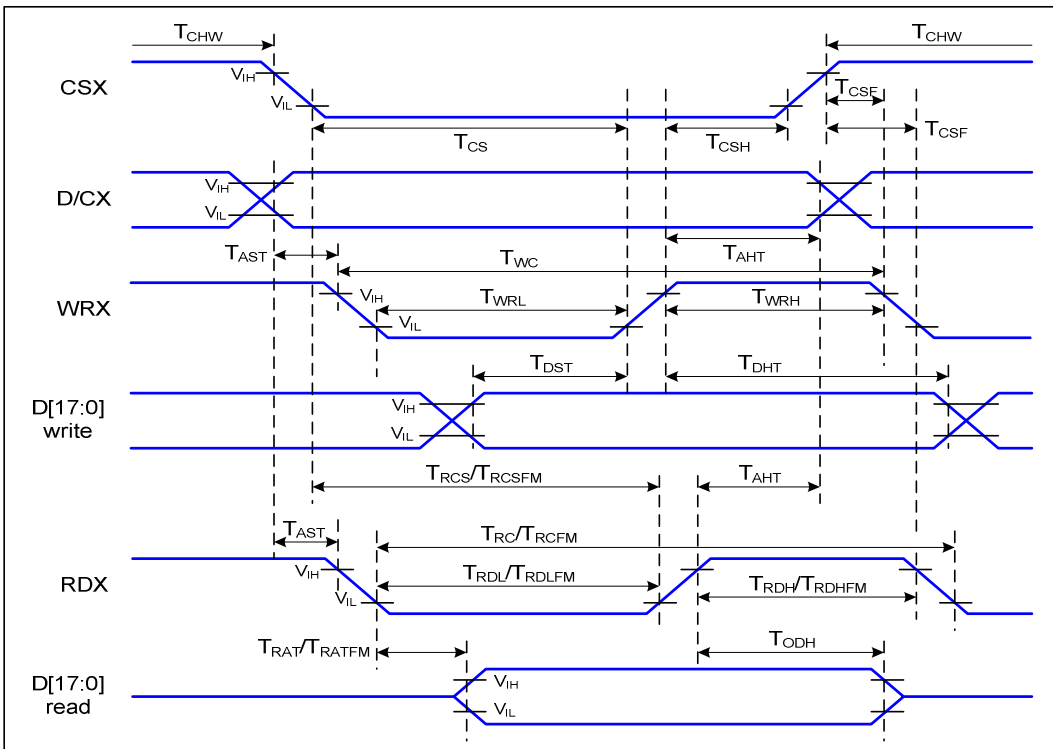
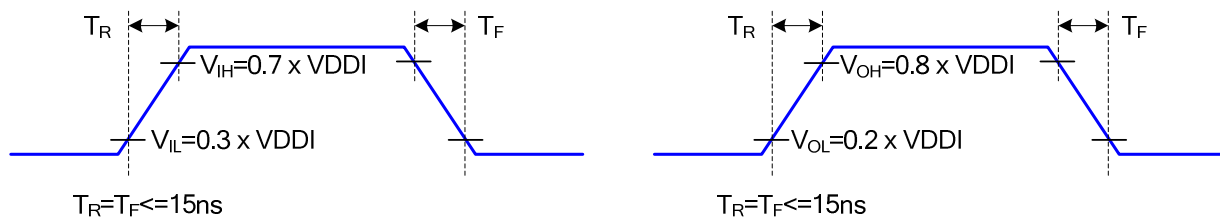


Figure 8.1.1 Parallel interface timing characteristics (8080 series MCU interface)

Ta=25 °C, VDDI=1.65~3.7V, VDD=2.3~4.8V

Signal	Symbol	Parameter	Min	Max	Unit	Description
D/CX	TAST	Address setup time	10		ns	-
	TAHT	Address hold time (Write/Read)	10		ns	-
CSX	TCHW	Chip select "H" pulse width	0		ns	-
	TCS	Chip select setup time (Write)	15		ns	-
	TRCS	Chip select setup time (Read ID)	45		ns	-
	TRCSFM	Chip select setup time (Read FM)	355		ns	-
	TCSF	Chip select wait time (Write/Read)	10		ns	-
	TCSH	Chip select hold time	10		ns	-
WRX	TWC	Write cycle	66		ns	-
	TWRH	Control pulse "H" duration	15		ns	-
	TWRL	Control pulse "L" duration	15		ns	-
RDX (ID)	TRC	Read cycle (ID)	160		ns	When read ID data
	TRDH	Control pulse "H" duration (ID)	90		ns	
	TRDL	Control pulse "L" duration (ID)	45		ns	
RDX (FM)	TRCFM	Read cycle (FM)	450		ns	When read from frame memory
	TRDHF	Control pulse "H" duration (FM)	90		ns	
	TRDLFM	Control pulse "L" duration (FM)	355		ns	
D[17:0]	TDST	Data setup time	10		ns	For CL=30pF
	TDHT	Data hold time	10		ns	
	TRAT	Read access time (ID)		40	ns	
	TRATFM	Read access time (FM)		340	ns	
	TODH	Output disable time	20	80	ns	

Table 8.1.1 8080 parallel Interface Characteristics



Figure

8.1.2 Rising and falling timing for input and output signal

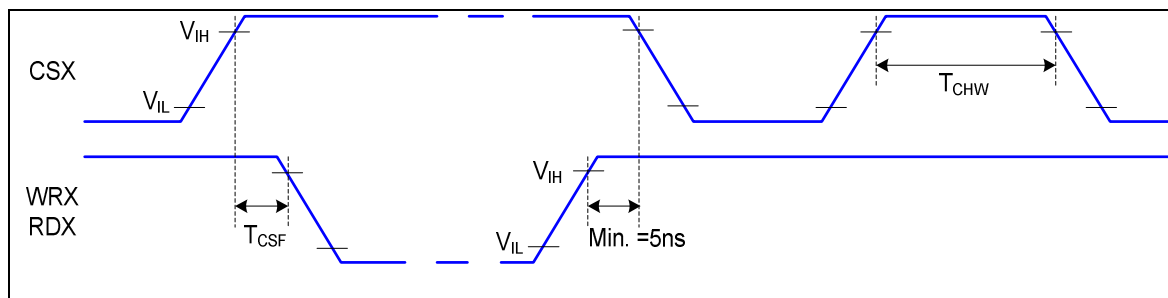


Figure 8.1.3 Chip selection (CSX) timing

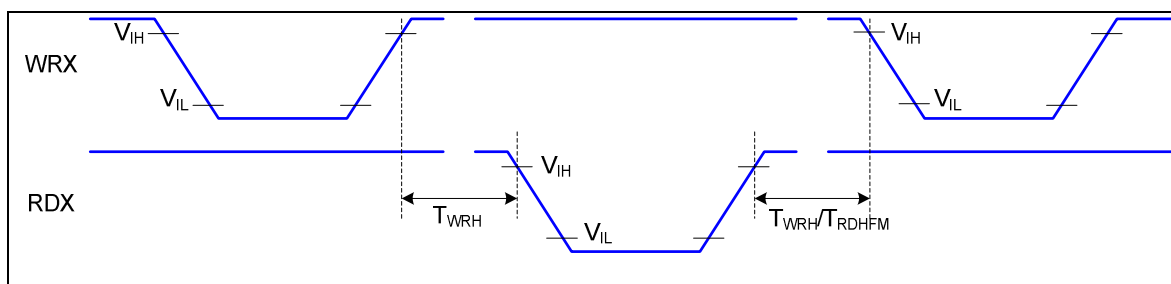


Figure 8.1.4 Write-to-read and read-to-write timing

Note: The rising time and falling time (T_r , T_f) of input signal are specified at 15 ns or less. Logic high and low levels are specified as 30% and 70% of VDDI for Input signals.

8.2 Parallel interface characteristics: 18, 16, 9 or 8-bit bus (6800 series MCU interface)

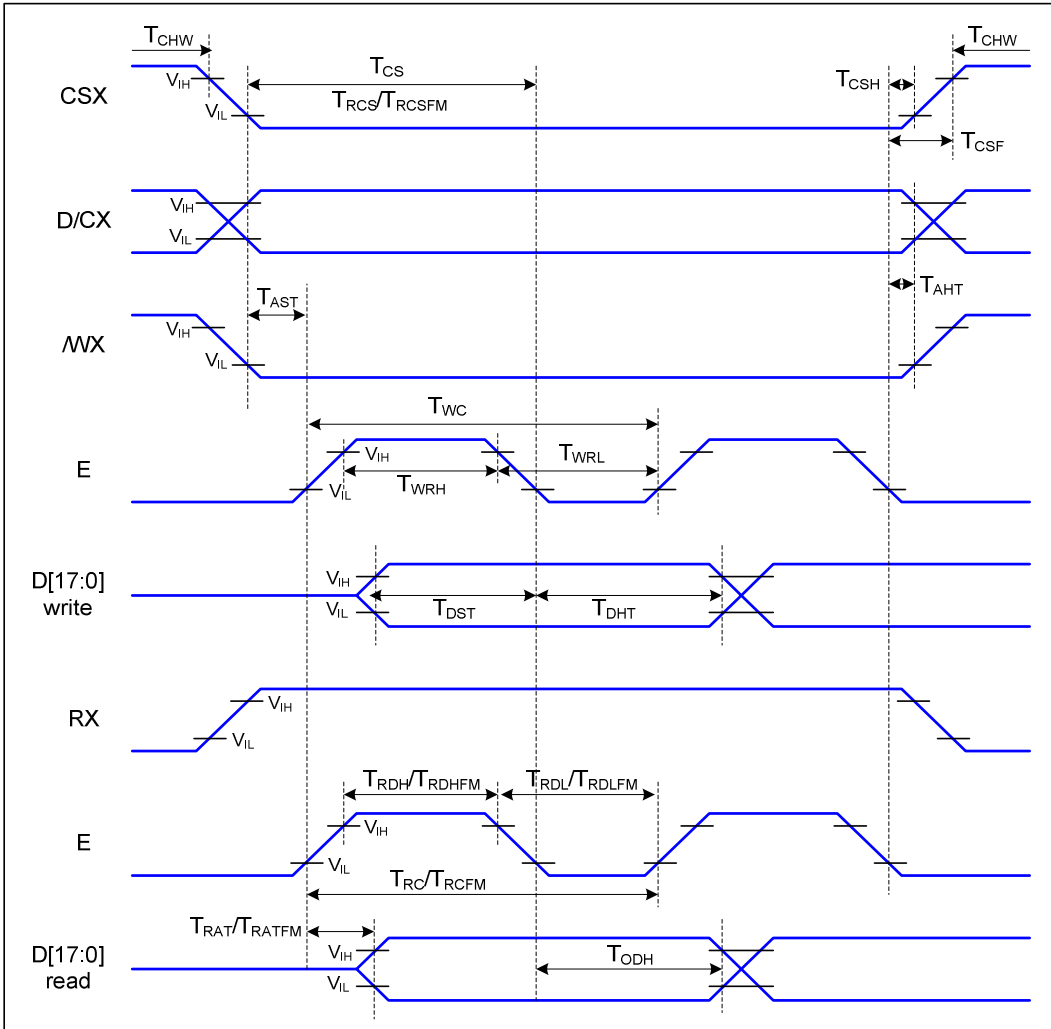


Figure 8.2.1 Parallel interface timing characteristics (6800-series MCU interface)

$T_a=25\text{ }^\circ\text{C}$, $V_{DDI}=1.65\text{--}3.7\text{V}$, $V_{DD}=2.3\text{--}4.8\text{V}$

Signal	Symbol	Parameter	Min	Max	Unit	Description
D/CX	T_{AST}	Address setup time	10		ns	-
	T_{AHT}	Address hold time (Write/Read)	10		ns	
CSX	T_{CHW}	Chip select "H" pulse width	0		ns	-
	T_{CS}	Chip select setup time (Write)	15		ns	
	T_{RCS}	Chip select setup time (Read ID)	45		ns	
	T_{RCSFM}	Chip select setup time (Read FM)	355		ns	
	T_{CSF}	Chip select wait time (Write/Read)	10		ns	
	T_{CSH}	Chip select hold time	10		ns	
WRX	T_{WC}	Write cycle	66		ns	-
	T_{WRH}	Control pulse "H" duration	15		ns	
	T_{WRL}	Control pulse "L" duration	15		ns	
RDX (ID)	T_{RC}	Read cycle (ID)	160		ns	When read ID data
	T_{RDH}	Control pulse "H" duration (ID)	90		ns	
	T_{RDL}	Control pulse "L" duration (ID)	45		ns	
RDX (FM)	T_{RCFM}	Read cycle (FM)	450		ns	When read from frame memory
	T_{RDHFM}	Control pulse "H" duration (FM)	90		ns	
	T_{RDLFM}	Control pulse "L" duration (FM)	355		ns	
D[17:0]	T_{DST}	Data setup time	10		ns	For maximum $CL=30\text{pF}$ For minimum $CL=8\text{pF}$
	T_{DHT}	Data hold time	10		ns	
	T_{ODH}	Output disable time	20	80	ns	

Table 8.2.1 6800 parallel Interface Characteristics

Note: The rising time and falling time (T_r , T_f) of input signal are specified at 15 ns or less. Logic high and low levels are specified as 30% and 70% of V_{DDI} for Input signals.

8.3 Serial interface characteristics (3-line serial)

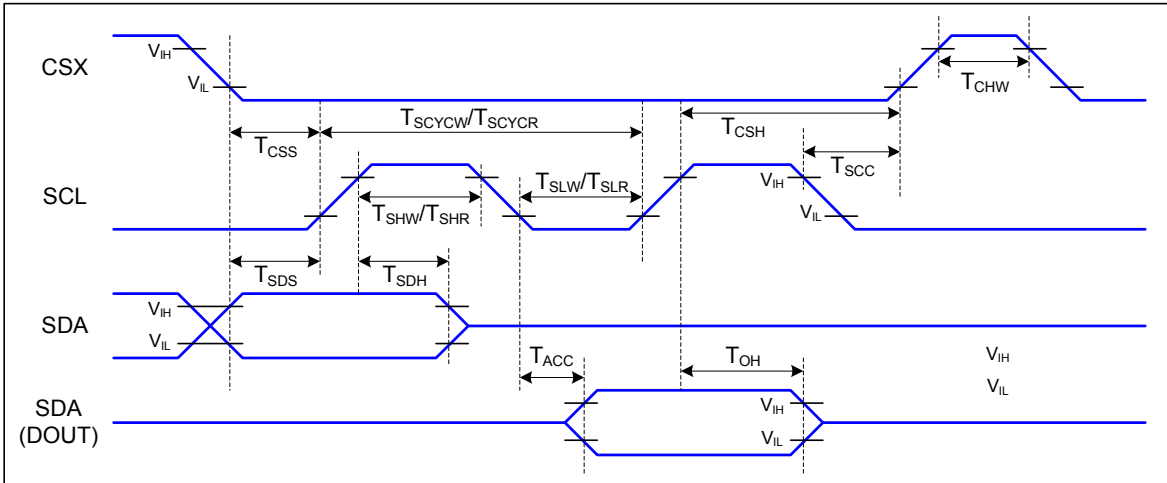


Figure 8.3.1 3-line serial interface timing

T_a=25 °C, VDDI=1.65~3.7V, VDD=2.3~4.8V

Signal	Symbol	Parameter	Min	Max	Unit	Description
CSX	T _{CSS}	Chip select setup time (write)	15		ns	
	T _{CSH}	Chip select hold time (write)	15		ns	
	T _{CSS}	Chip select setup time (read)	60		ns	
	T _{SCC}	Chip select hold time (read)	65		ns	
	T _{CHW}	Chip select "H" pulse width	40		ns	
SCL	T _{SCYW}	Serial clock cycle (Write)	66		ns	
	T _{SHW}	SCL "H" pulse width (Write)	15		ns	
	T _{SLW}	SCL "L" pulse width (Write)	15		ns	
	T _{SCYCR}	Serial clock cycle (Read)	150		ns	
	T _{SHR}	SCL "H" pulse width (Read)	60		ns	
SDA (DIN) (DOUT)	T _{SLR}	SCL "L" pulse width (Read)	60		ns	For maximum CL=30pF For minimum CL=8pF
	T _{SDS}	Data setup time	10		ns	
	T _{SDH}	Data hold time	10		ns	
	T _{ACC}	Access time	10	50	ns	
	T _{OH}	Output disable time	15	50	ns	

Table 8.3.1 3-line Serial Interface Characteristics

Note : The rising time and falling time (T_r, T_f) of input signal are specified at 15 ns or less. Logic high and low levels are specified as 30% and 70% of VDDI for Input signals.

8.4 Serial interface characteristics (4-line serial)

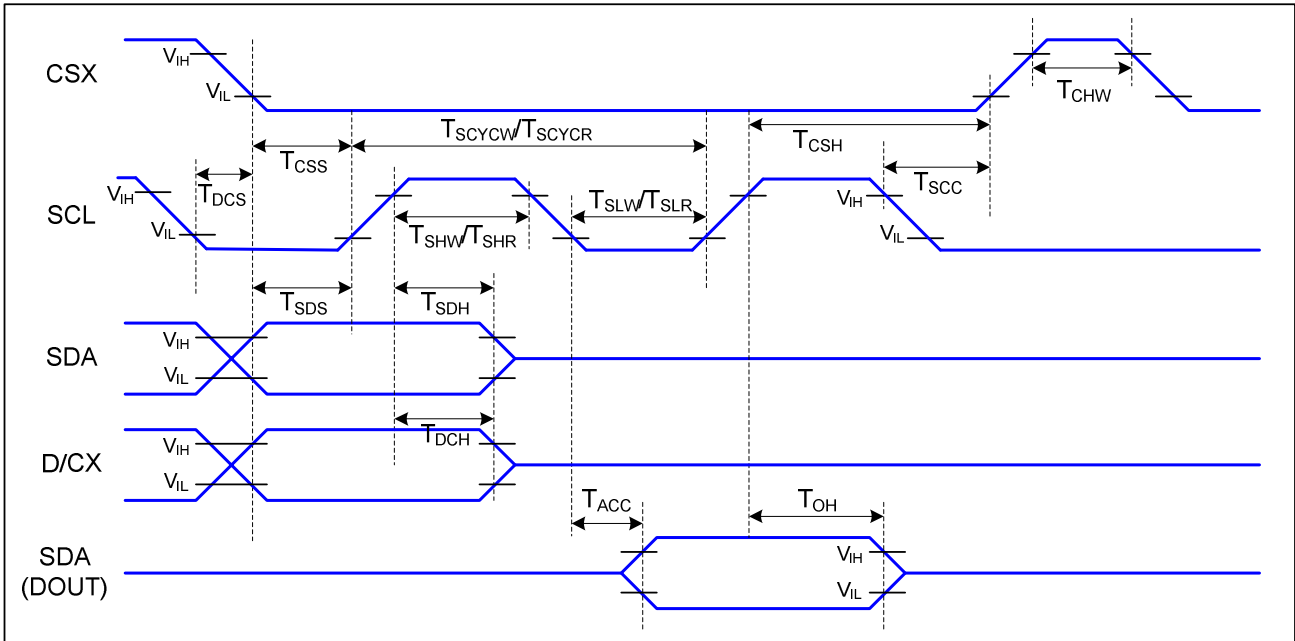


Figure 8.4.1 4-line serial interface timing
 $T_a=25\text{ }^\circ\text{C}$, $V_{DDI}=1.65\sim 3.7\text{V}$, $V_{DD}=2.3\sim 4.8\text{V}$

Signal	Symbol	Parameter	MIN	MAX	Unit	Description
CSX	T_{CSS}	Chip select setup time (write)	45		ns	
	T_{CSH}	Chip select hold time (write)	45		ns	
	T_{CSS}	Chip select setup time (read)	60		ns	
	T_{SCC}	Chip select hold time (read)	65		ns	
	T_{CHW}	Chip select "H" pulse width	40		ns	
SCL	T_{SCYCW}	Serial clock cycle (Write)	66		ns	-write command & data ram
	T_{SHW}	SCL "H" pulse width (Write)	15		ns	
	T_{SLW}	SCL "L" pulse width (Write)	15		ns	
	T_{SCYCR}	Serial clock cycle (Read)	150		ns	-read command & data ram
	T_{SHR}	SCL "H" pulse width (Read)	60		ns	
	T_{SLR}	SCL "L" pulse width (Read)	60		ns	
D/CX	T_{DCS}	D/CX setup time	10		ns	
	T_{DCH}	D/CX hold time	10		ns	
SDA (DIN) (DOUT)	T_{SDS}	Data setup time	10		ns	For maximum $C_L=30\text{pF}$ For minimum $C_L=8\text{pF}$
	T_{SDH}	Data hold time	10		ns	
	T_{ACC}	Access time	10	50	ns	
	T_{OH}	Output disable time	15	50	ns	

Table 8.4.1 4-line Serial Interface Characteristics

Note : The rising time and falling time (T_r , T_f) of input signal are specified at 15 ns or less. Logic high and low levels are specified as 30% and 70% of V_{DDI} for Input signals.

9 Function description

9.1 Interface type selection

The selection of given interfaces are done by setting IM2, IM1, and IM0 pins as shown in following table.

P68	IM2	IM1	IM0	Interface	Read back selection
-	0	-	-	3-line serial interface	Via the read instruction
0	1	0	0	8080 MCU 8-bit parallel	RDX strobe (8-bit read data and 8-bit read parameter)
0	1	0	1	8080 MCU 16-bit parallel	RDX strobe (16-bit read data and 8-bit read parameter)
0	1	1	0	8080 MCU 9-bit parallel	RDX strobe (9-bit read data and 8-bit read parameter)
0	1	1	1	8080 MCU 18-bit parallel	RDX strobe (18-bit read data and 8-bit read parameter)
-	0	-	-	3-line serial interface	Via the read instruction
1	1	0	0	6800 MCU 8-bit parallel	E strobe (8-bit read data and 8-bit read parameter)
1	1	0	1	6800 MCU 16-bit parallel	E strobe (16-bit read data and 8-bit read parameter)
1	1	1	0	6800 MCU 9-bit parallel	E strobe (9-bit read data and 8-bit read parameter)
1	1	1	1	6800 MCU 18-bit parallel	E strobe (18-bit read data and 8-bit read parameter)

Table 9.1.1 Selection of MCU interface

P68	IM2	IM1	IM0	Interface	RDX	WRX	D/CX	Read back selection
-	0	-	-	3-line serial interface	Note1	Note1	SCL	D[17:1]: unused, D0: SDA
0	1	0	0	8080 8-bit parallel	RDX	WRX	D/CX	D[17:8]: unused, D7-D0: 8-bit data
0	1	0	1	8080 16-bit parallel	RDX	WRX	D/CX	D[17:16]: unused, D15-D0: 16-bit data
0	1	1	0	8080 9-bit parallel	RDX	WRX	D/CX	D[17:9]: unused, D8-D0: 9-bit data
0	1	1	1	8080 18-bit parallel	RDX	WRX	D/CX	D17-D0: 18-bit data
-	0	-	-	3-line serial interface	Note1	D/CX	SCL	D[17:1]: unused, D0: SDA
1	1	0	0	6800 8-bit parallel	E	WRX	RS	D[17:8]: unused, D7-D0: 8-bit data
1	1	0	1	6800 16-bit parallel	E	WRX	RS	D[17:16]: unused, D15-D0: 16-bit data
1	1	1	0	6800 9-bit parallel	E	WRX	RS	D[17:9]: unused, D8-D0: 9-bit data
1	1	1	1	6800 18-bit parallel	E	WRX	RS	D17-D0: 18-bit data

Table 9.1.2 Pin connection according to various MCU interface

Note: Unused pins can be open, or connected to DGND or VDDI.

9.2 8080-series MCU parallel interface (P68 = '0')

The MCU can use one of following interfaces: 11-lines with 8-data parallel interface, 12-lines with 9-data parallel interface, 19-line with 16-data parallel interface or 21-lines with 18-data parallel interface. The chip-select CSX (active low) enables/disables the parallel interface. RESX (active low) is an external reset signal. WRX is the parallel data write enable, RDX is the parallel data read enable and D[17:0] is parallel data bus.

The LCD driver reads the data at the rising edge of WRX signal. The D/CX is the data/command flag. When D/CX='1', D[17:0] bits is either display data or command parameter. When D/C='0', D[17:0] bits is command. The interface functions of 8080-series parallel interface are given in following table.

IM2	IM1	IM0	Interface	D/CX	RDX	WRX	Read back selection
1	0	0	8-bit parallel	0	1	↑	Write 8-bit command (D7 to D0)
				1	1	↑	Write 8-bit display data or 8-bit parameter (D7 to D0)
				1	↑	1	Read 8-bit display data (D7 to D0)
				1	↑	1	Read 8-bit parameter or status (D7 to D0)
1	0	1	16-bit parallel	0	1	↑	Write 8-bit command (D7 to D0)
				1	1	↑	Write 16-bit display data or 8-bit parameter (D15 to D0)
				1	↑	1	Read 16-bit display data (D15 to D0)
				1	↑	1	Read 8-bit parameter or status (D7 to D0)
1	1	0	9-bit parallel	0	1	↑	Write 8-bit command (D7 to D0)
				1	1	↑	Write 9-bit display data or 8-bit parameter (D8 to D0)
				1	↑	1	Read 9-bit display data (D8 to D0)
				1	↑	1	Read 8-bit parameter or status (D7 to D0)
1	1	1	18-bit parallel	0	1	↑	Write 8-bit command (D7 to D0)
				1	1	↑	Write 18-bit display data or 8-bit parameter (D17 to D0)
				1	↑	1	Read 18-bit display data (D17 to D0)
				1	↑	1	Read 8-bit parameter or status (D7 to D0)

Table 9.2.1 the function of 8080-series parallel interface

Note: applied for command code: DAh, DBh, DCh, 04h, 09h, 0Ah, 0Bh, 0Ch, 0Dh, 0Eh, 0Fh

9.2.1 Write cycle sequence

The write cycle means that the host writes information (command or/and data) to the display via the interface. Each write cycle (WRX high-low-high sequence) consists of 3 control signals (D/CX, RDX, WRX) and data signals (D[17:0]). D/CX bit is a control signal, which tells if the data is a command or a data. The data signals are the command if the control signal is low (= '0') and vice versa it is data (= '1').

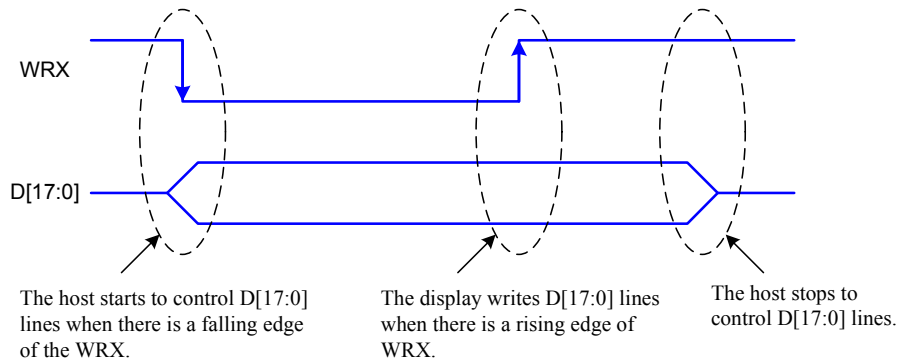


Figure 9.2.1 8080-series WRX protocol

Note: WRX is an unsynchronized signal (It can be stopped).

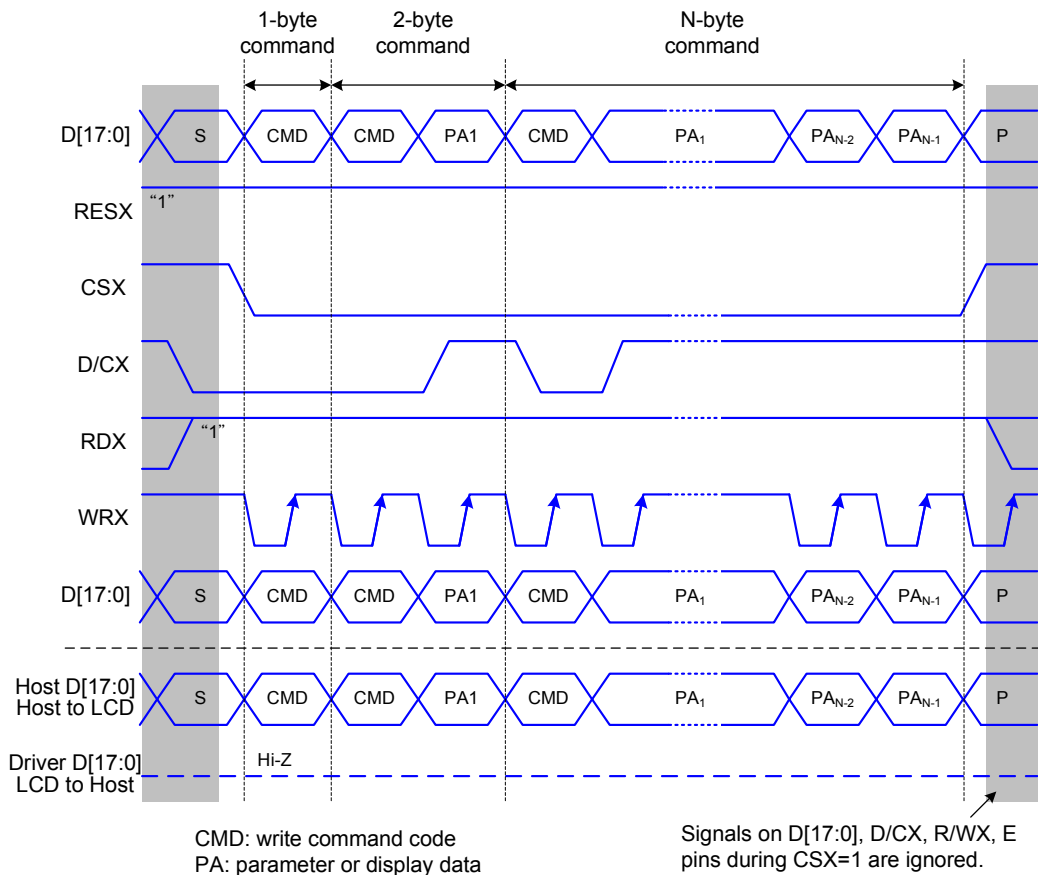


Figure 9.2.2 8080-series parallel bus protocol, write to register or display RAM

9.2.2 Read cycle sequence

The read cycle (RDX high-low-high sequence) means that the host reads information from LCD driver via interface. The driver sends data (D[17:0]) to the host when there is a falling edge of RDX and the host reads data when there is a rising edge of RDX.

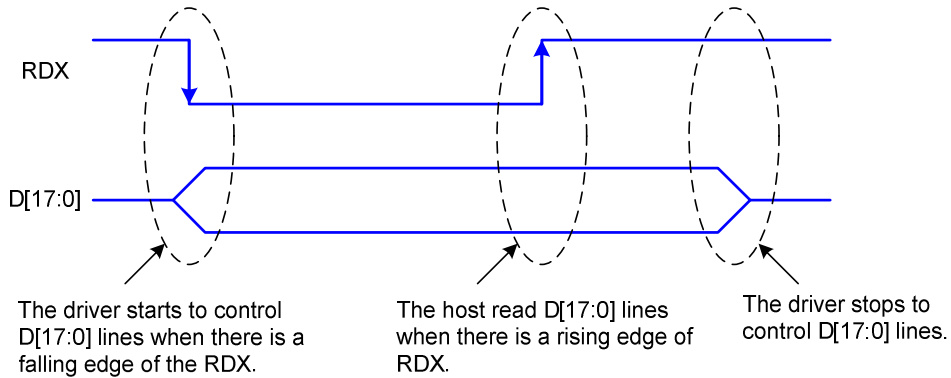


Figure 9.2.3 8080-series RDX protocol

Note: RDX is an unsynchronized signal (It can be stopped).

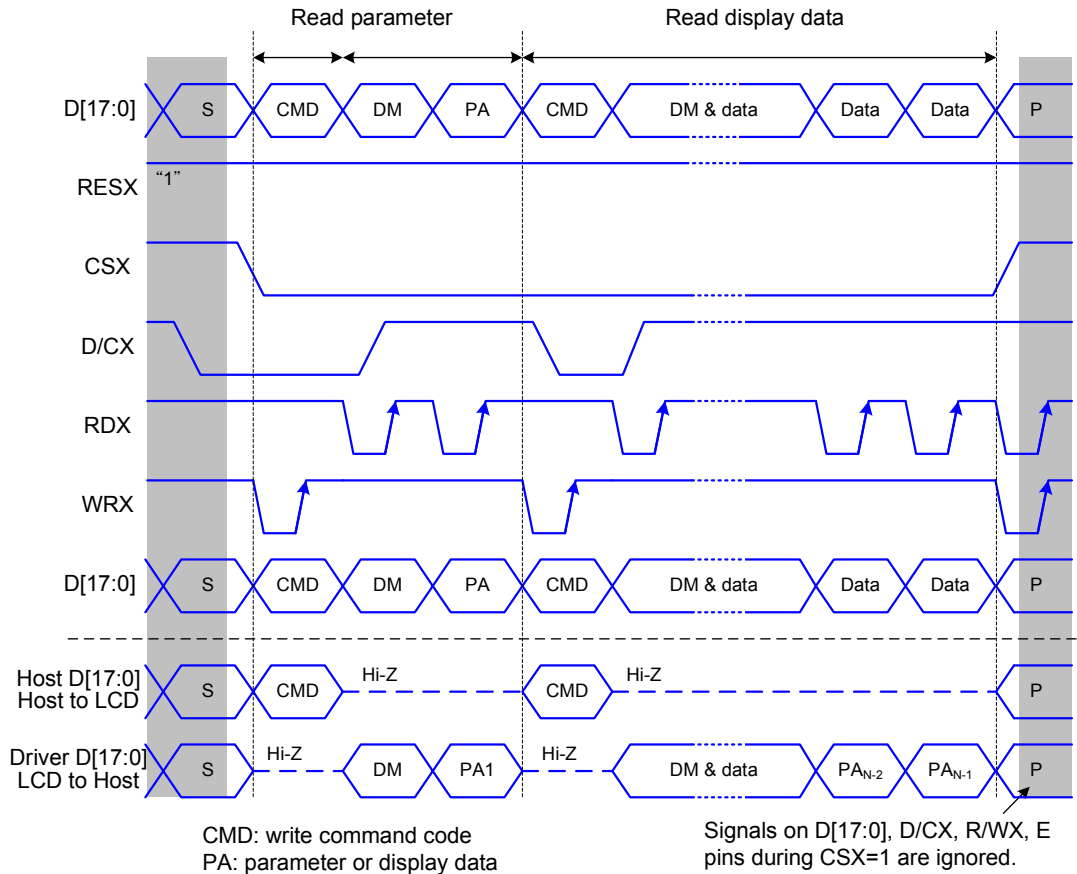


Figure 9.2.4 8080-series parallel bus protocol, read data from register or display RAM

9.3 6800-series MCU parallel interface (P68 = '1')

The MCU uses one of following interface: 11-lines with 8-data parallel interface, 12-lines with 9-data parallel interface, 19-lines with 16-data parallel interface, or 21-lines with 18-data parallel interface. The chip-select CSX(active low) enables and disables the parallel interface. RESX (active low) is an external reset signal. The R/WX is the Read/Write flag and D[17:0] is parallel data bus.

The LCD driver reads the data at the falling edge of E signal when R/WX= '1' and Writes the data at the falling of the E signal when R/WX='0'. The D/CX is the data/command flag. When D/CX='1', D[17:0] bits are display RAM data or command parameters. When D/C= '0', D[17:0] bits are commands.

The 6800-series bi-directional interface can be used for communication between the micro controller and LCD driver. The selection of this interface is done when P68 pin is high state (VDDI). Interface bus width can be selected with IM2, IM1 and IM0. The interface functions of 6800-series parallel interface are given in Table 8.1.1.

P68	IM2	IM1	IM0	Interface	D/CX	R/WX	E	Function
1	1	0	0	8-bit Parallel	0	0	↓	Write 8-bit command (D7 to D0)
					1	0	↓	Write 8-bit display data or 8-bit parameter (D7 to D0)
					1	1	↓	Read 8-bit Display data (D7 to D0)
					1	1	↓	Read 8-bit parameter or status (D7 to D0)
1	1	0	1	16-bit Parallel	0	0	↓	Write 8-bit command (D7 to D0)
					1	0	↓	Write 16-bit display data or 8-bit parameter (D15 to D0)
					1	1	↓	Read 16-bit Display data (D15 to D0)
					1	1	↓	Read 8-bit parameter or status (D7 to D0)
1	1	1	0	9-bit Parallel	0	0	↓	Write 8-bit command (D7 to D0)
					1	0	↓	Write 9-bit display data or 8-bit parameter (D8 to D0)
					1	1	↓	Read 9-bit Display data (D8 to D0)
					1	1	↓	Read 8-bit parameter or status (D7 to D0)
1	1	1	1	18-bit Parallel	0	0	↓	Write 8-bit command (D7 to D0)
					1	0	↓	Write 18-bit display data or 8-bit parameter (D17 to D0)
					1	1	↓	Read 18-bit Display data (D17 to D0)
					1	1	↓	Read 8-bit parameter or status (D7 to D0)

Table 9.3.1 The function of 6800-series parallel interface

Note: applied for command code: DAh, DBh, DCh, 04h, 09h, 0Ah, 0Bh, 0Ch, 0Dh, 0Eh, 0Fh.

9.3.1 Write cycle sequence

The write cycle means that the host writes information (command or/and data) to the display via the interface. Each write cycle (E low-high-low sequence) consists of 3 control signals (D/CX, E, R/WX) and data signals (D[17:0]). D/CX bit is a control signal, which tells if the data is a command or a data. The data signals are the command if the control signal is low (= '0') and vice versa it is data (= '1').

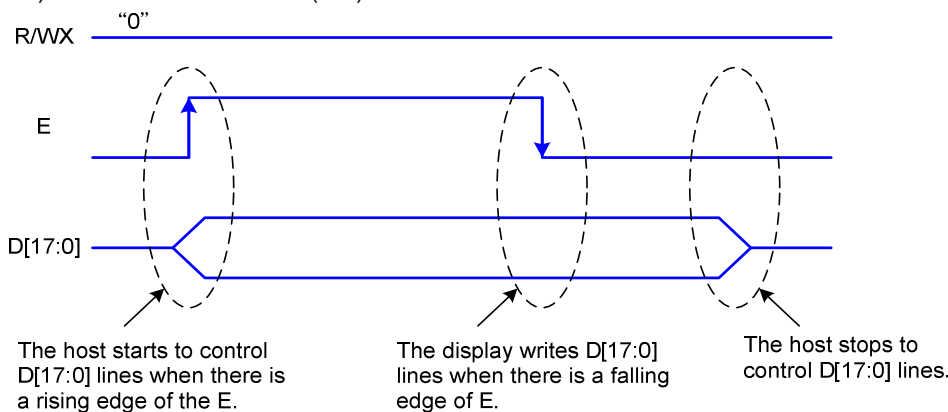


Figure 9.3.1 6800-Series Write Protocol

Note: E is an unsynchronized signal (It can be stopped)

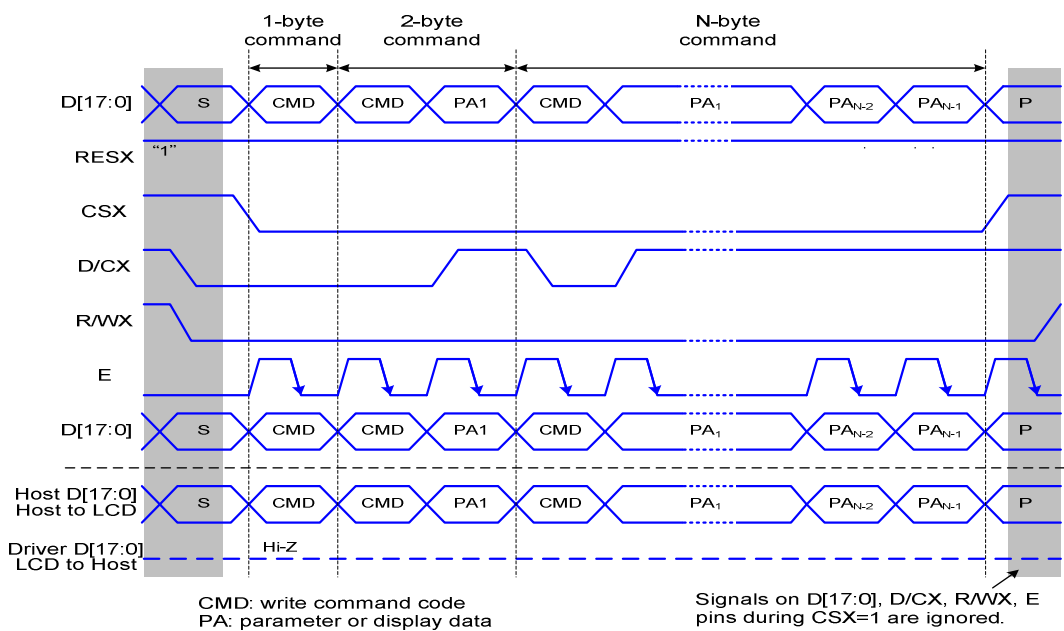


Figure 9.3.2 6800-series parallel bus protocol, write to register or display RAM

9.3.2 9.3.2 Read cycle sequence

The read cycle (E low-high-low sequence) means that the host reads information from LCD driver via interface. The driver sends data (D[17:0]) to the host when there is a rising edge of E and the host reads data when there is a falling edge of E.

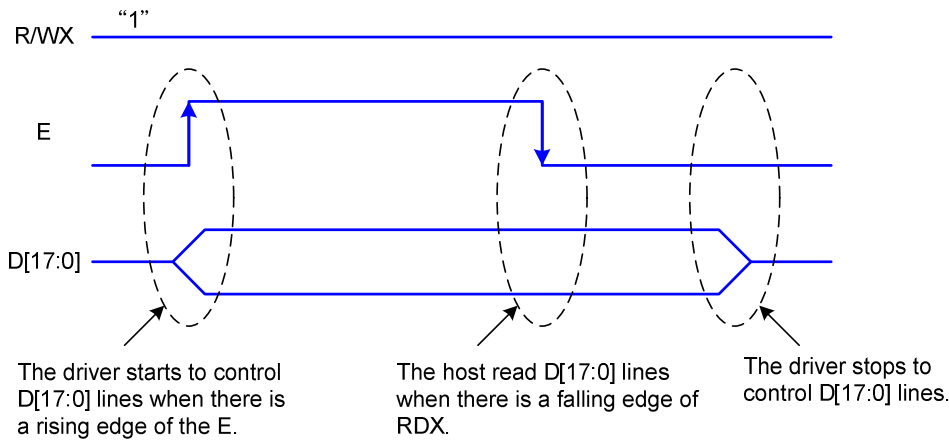


Figure 9.3.3 6800-series read protocol

Note: E is an unsynchronized signal (It can be stopped)

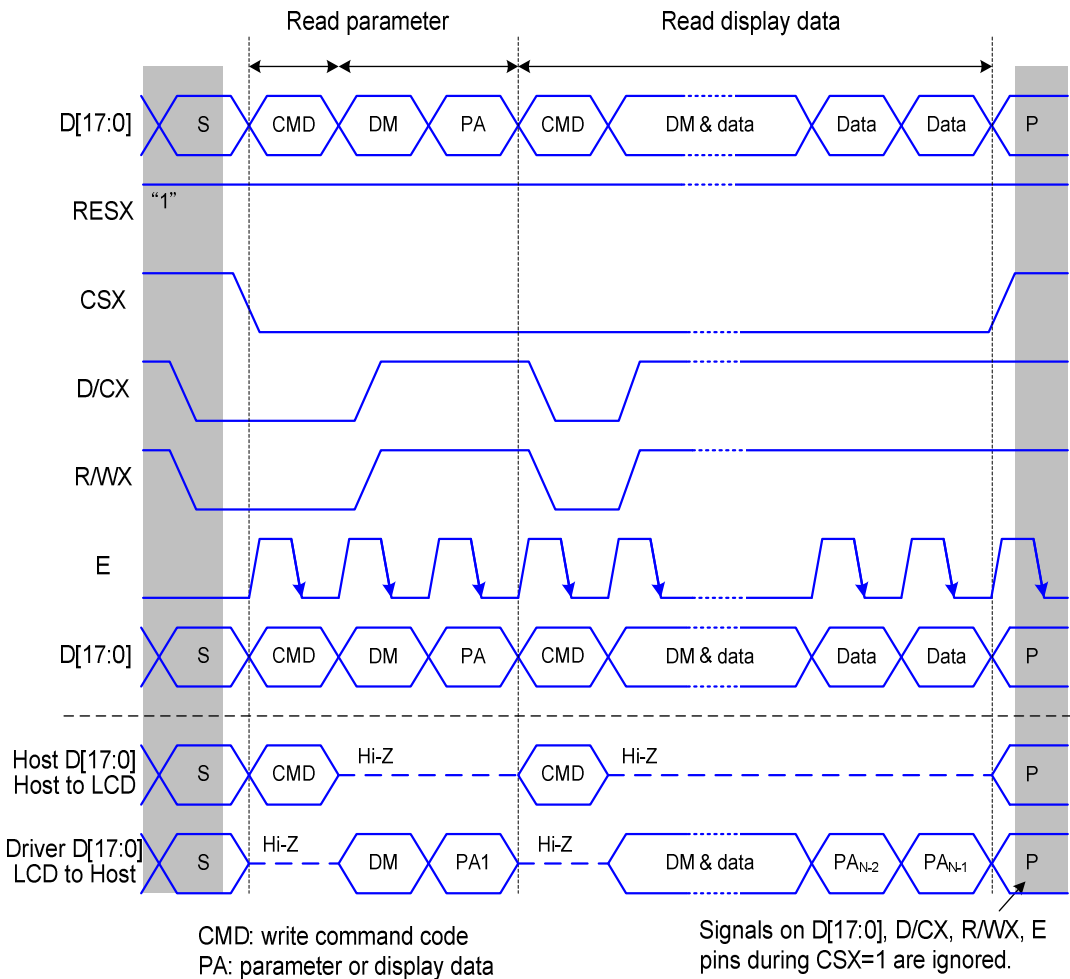


Figure 9.3.4 6800-series parallel bus protocol, read data form register or display RAM

9.4 Serial interface

The selection of this interface is done by IM2. See the Table 9.4.1.

IM2	4WSPI	Interface	Read back selection
0	0	3-line serial interface	Via the read instruction (8-bit, 24-bit and 32-bit read parameter)
0	1	4-line serial interface	Via the read instruction (8-bit, 24-bit and 32-bit read parameter)

Table 9.4.2 Selection of serial interface

The serial interface is either 3-lines/9-bits or 4-lines/8-bits bi-directional interface for communication between the micro controller and the LCD driver. The 3-lines serial interface use: CSX (chip enable), SCL (serial clock) and SDA (serial data input/output), and the 4-lines serial interface use: CSX (chip enable), D/CX (data/ command flag), SCL (serial clock) and SDA (serial data input/output). Serial clock (SCL) is used for interface with MCU only, so it can be stopped when no communication is necessary.

9.4.1 Command Write Mode

The write mode of the interface means the micro controller writes commands and data to the LCD driver. 3-lines serial data packet contains a control bit D/CX and a transmission byte. In 4-lines serial interface, data packet contains just transmission byte and control bit D/CX is transferred by the D/CX pin. If D/CX is "low", the transmission byte is interpreted as a command byte. If D/CX is "high", the transmission byte is stored in the display data RAM (memory write command), or command register as parameter.

Any instruction can be sent in any order to the driver. The MSB is transmitted first. The serial interface is initialized when CSX is high. In this state, SCL clock pulse or SDA data have no effect. A falling edge on CSX enables the serial interface and indicates the start of data transmission.

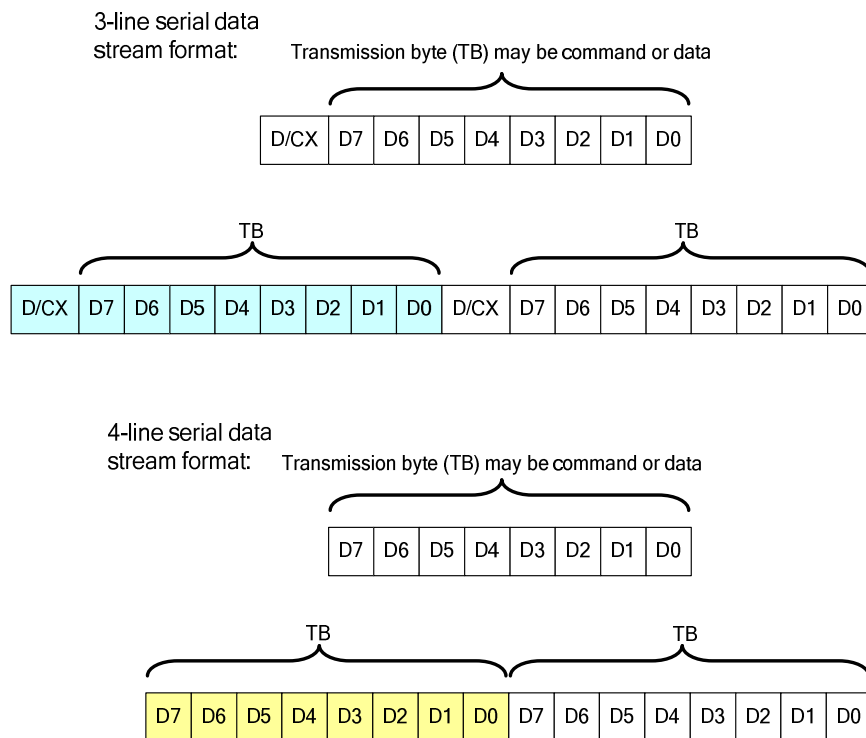


Figure 9.4.1 Serial interface data stream format

When CSX is "high", SCL clock is ignored. During the high period of CSX the serial interface is initialized. At the falling edge of CSX, SCL can be high or low (see Figure 9.4.2). SDA is sampled at the rising edge of SCL. D/CX indicates whether the byte is command (D/CX='0') or parameter/RAM data (D/CX='1'). D/CX is sampled when first rising edge of SCL (3-lines serial interface) or 8th rising edge of SCL (4-lines serial interface). If CSX stays low after the last bit of command/data byte, the serial interface expects the D/CX bit (3-lines serial interface) or D7 (4-lines serial interface) of the next byte at the next rising edge of SCL..

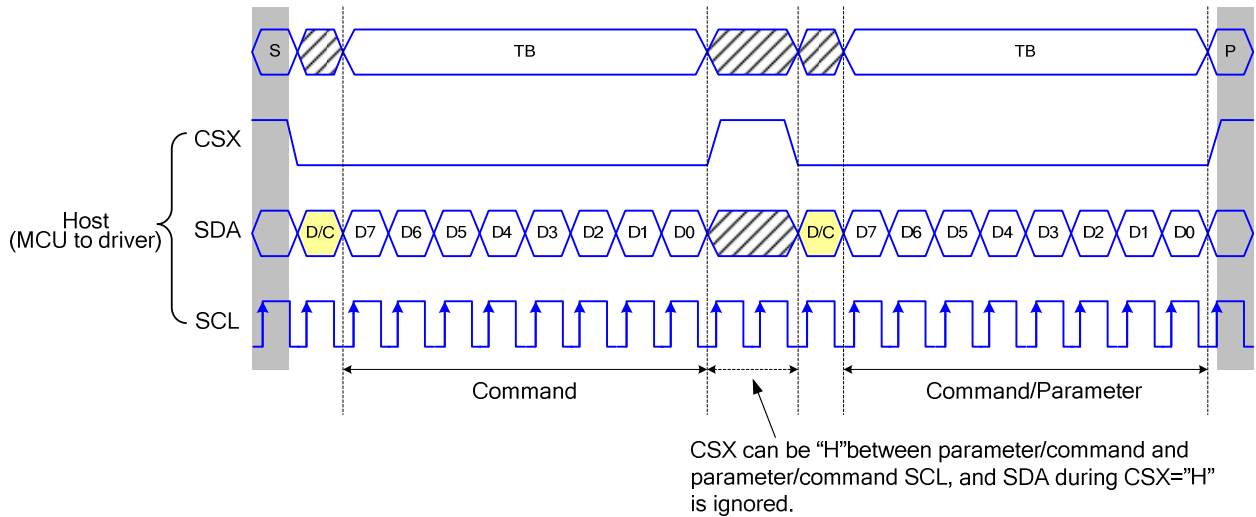


Figure 9.4.3 3-line serial interface write protocol (write to register with control bit in transmission)

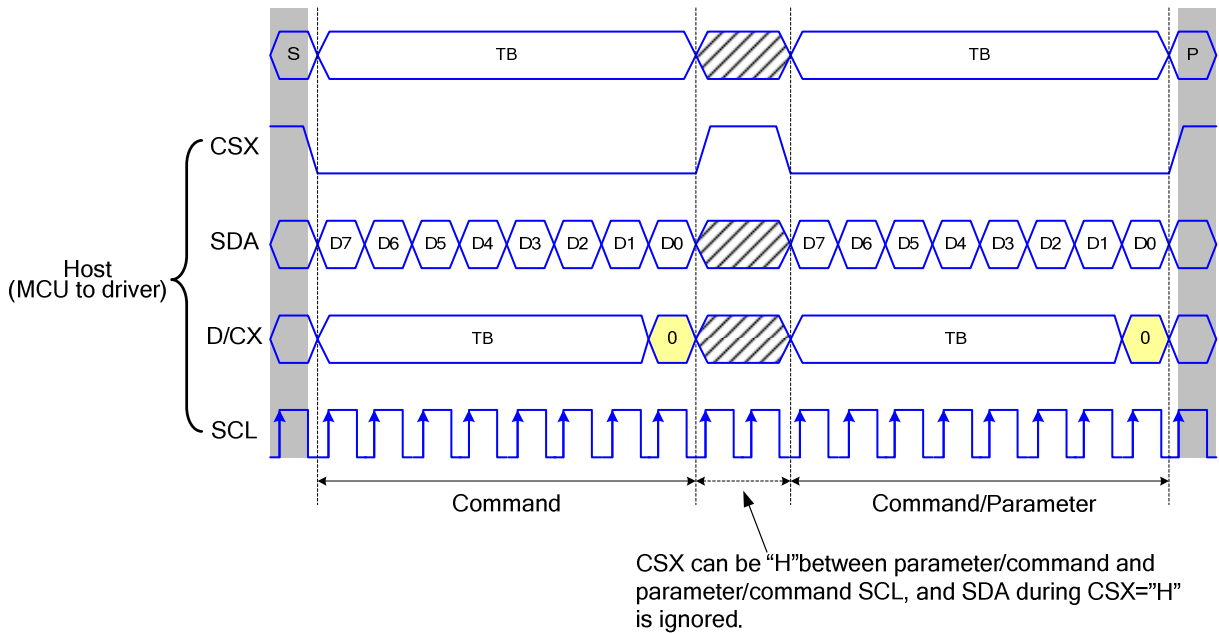


Figure 9.4.4 4-line serial interface write protocol (write to register with control bit in transmission)

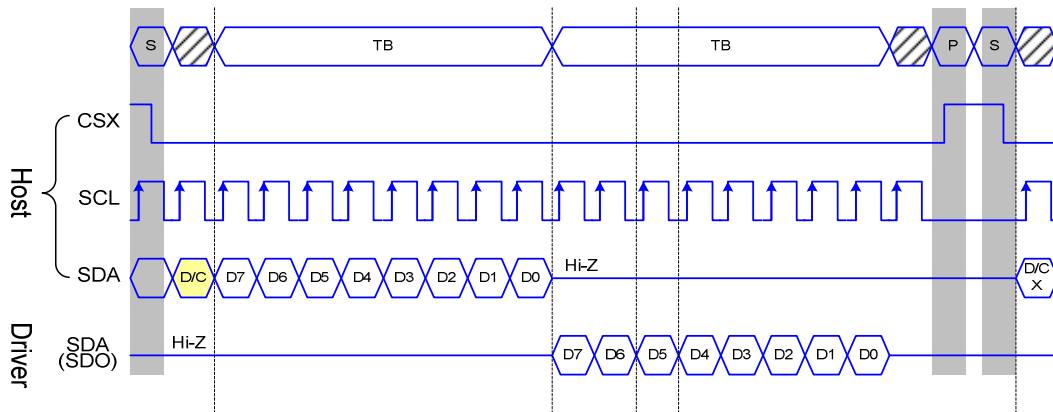
9.4.2 Read Functions

The read mode of the interface means that the micro controller reads register value from the driver. To achieve read function, the micro controller first has to send a command (read ID or register command) and then the following byte is transmitted in the opposite direction. After that CSX is required to go to high before a new command is send (see the below figure). The driver samples the SDA (input data) at rising edge of SCL, but shifts SDA (output data) at the falling edge of SCL. Thus the micro controller is supported to read at the rising edge of SCL.

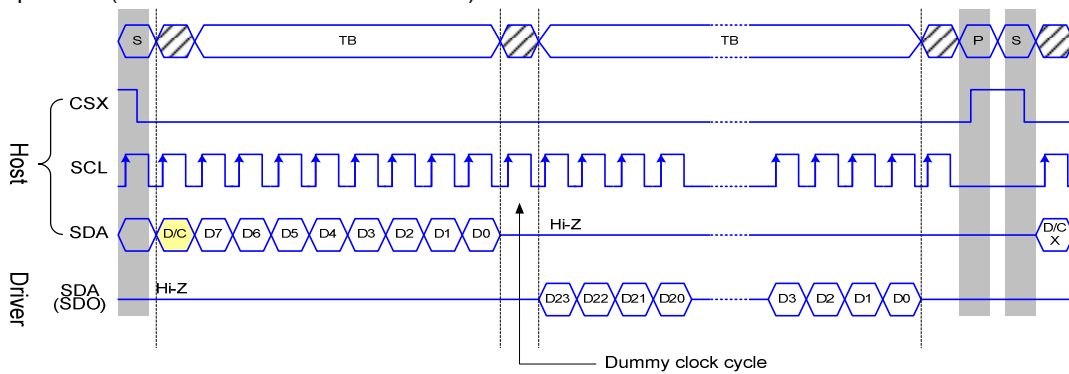
After the read status command has been sent, the SDA line must be set to tri-state no later than at the falling edge of SCL of the last bit.

9.4.3 3-line serial protocol

3-line serial protocol (for RDID1/RDID2/RDID3/0Ah/0Bh/0Ch/0Dh/0Eh/0Fh command: 8-bit read):



3-line serial protocol (for RDDID command: 24-bit read)



3-line Serial Protocol (for RDDST command: 32-bit read)

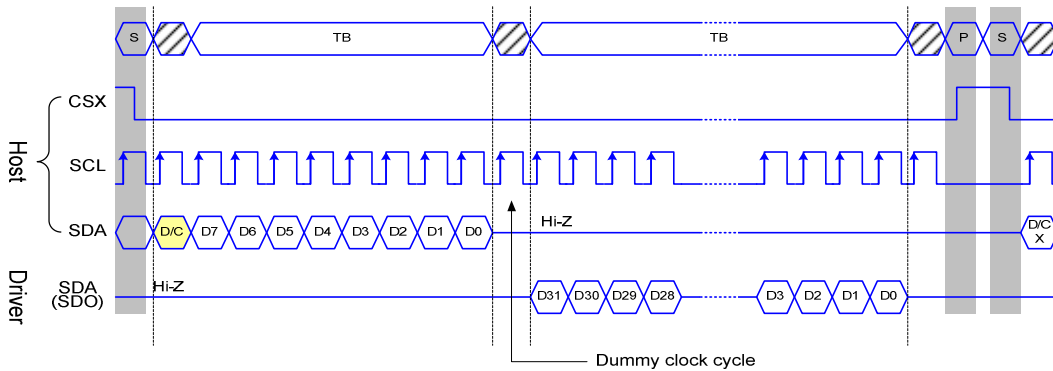
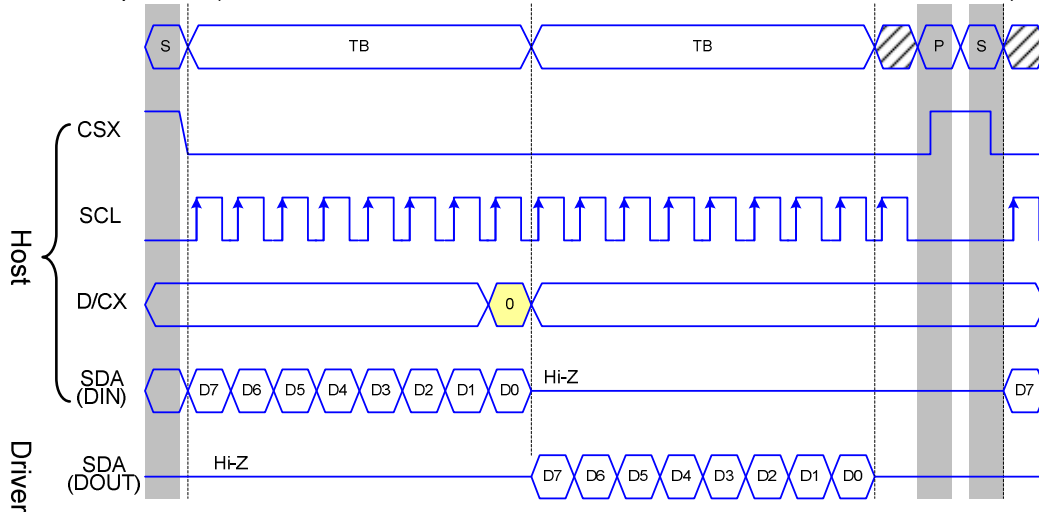


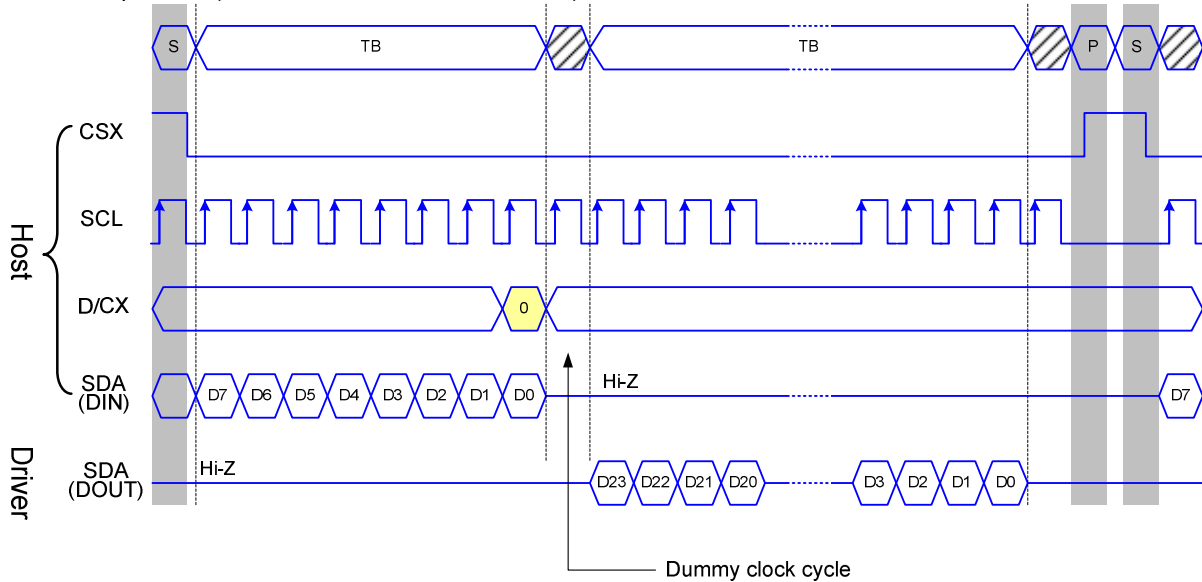
Figure 9.4.5 3-line serial interface read protocol

9.4.4 4-line serial protocol

4-line serial protocol (for RDID1/RDID2/RDID3/0Ah/0Bh/0Ch/0Dh/0Eh/0Fh command: 8-bit read):



4-line serial protocol (for RDDID command: 24-bit read)



4-line Serial Protocol (for RDDST command: 32-bit read)

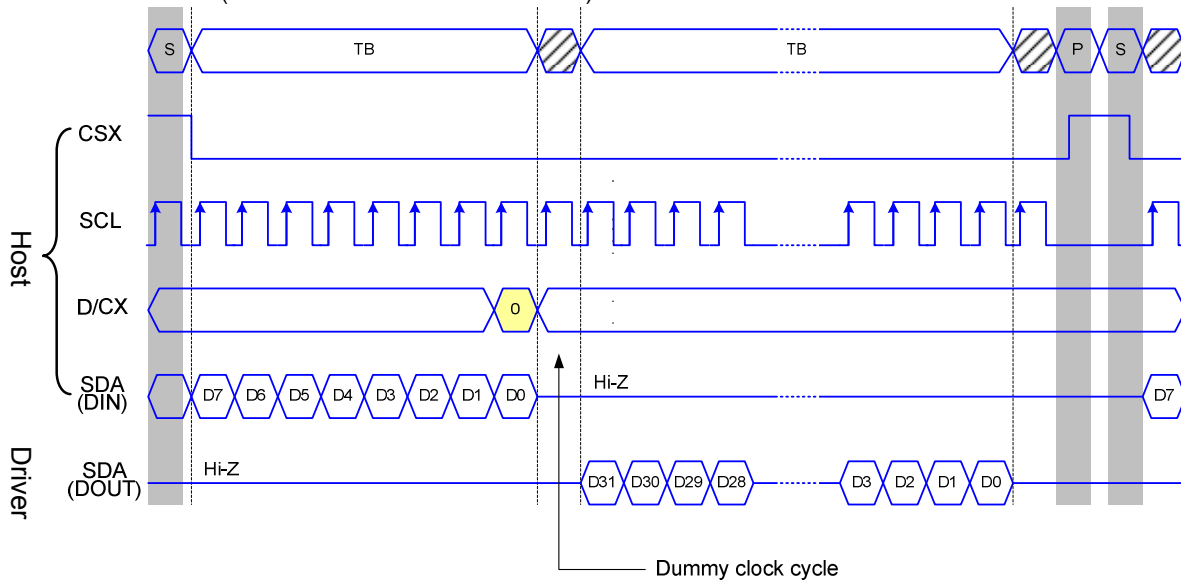


Figure 9.4.6 4-line serial interface read protocol

9.5 Data Transfer Break and Recovery

If there is a break in data transmission by RESX pulse, while transferring a command or frame memory data or multiple parameter command data, before Bit D0 of the byte has been completed, then driver will reject the previous bits and have reset the interface such that it will be ready to receive command data again when the chip select line (CSX) is next activated after RESX have been HIGH state. See the following example

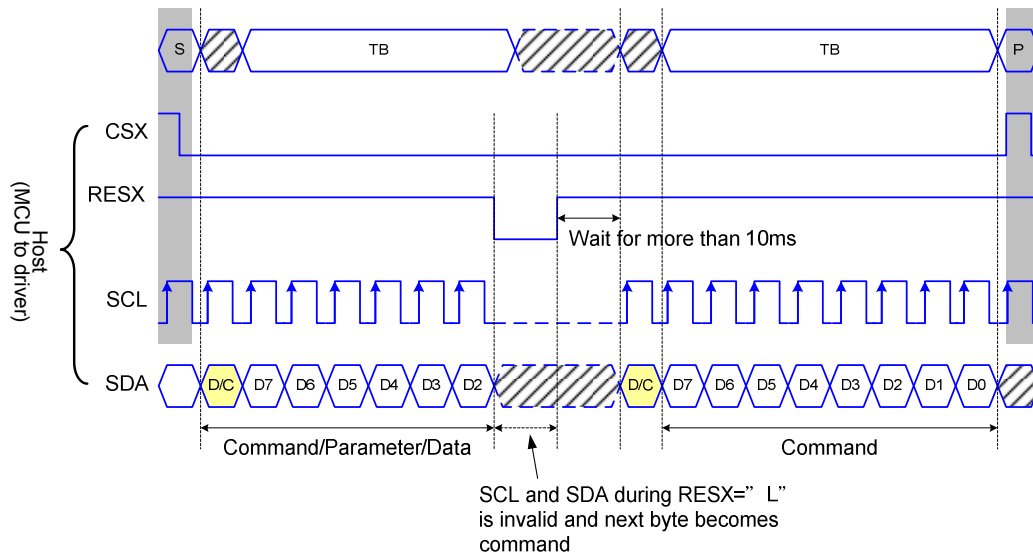


Figure 9.5.1 Serial bus protocol, write mode – interrupted by RESX

If there is a break in data transmission by CSX pulse, while transferring a command or frame memory data or multiple parameter command data, before Bit D0 of the byte has been completed, then driver will reject the previous bits and have reset the interface such that it will be ready to receive the same byte re-transmitted when the chip select line (CSX) is next activated. See the following example

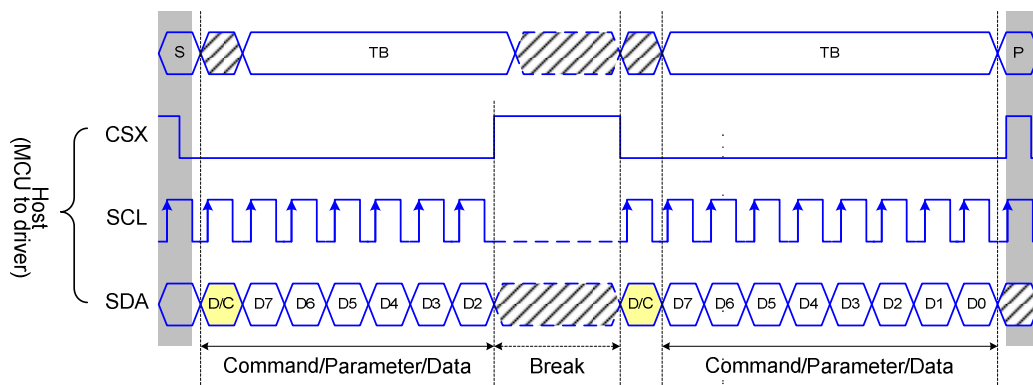


Figure 9.5.2 Serial bus protocol, write mode – interrupted by CSX

If 1, 2 or more parameter commands are being sent and a break occurs while sending any parameter before the last one and if the host then sends a new command rather than re-transmitting the parameter that was interrupted, then the parameters that were successfully sent are stored and the parameter where the break occurred is rejected. The interface is ready to receive next byte as shown below.

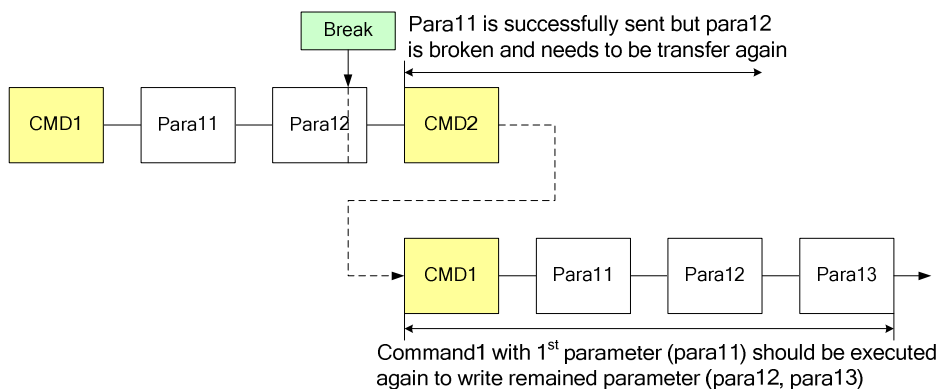


Figure 9.5.3 Write interrupts recovery (serial interface)

If a 2 or more parameter commands are being sent and a break occurs by the other command before the last one is sent, then the parameters that were successfully sent are stored and the other parameter of that command remains previous value.

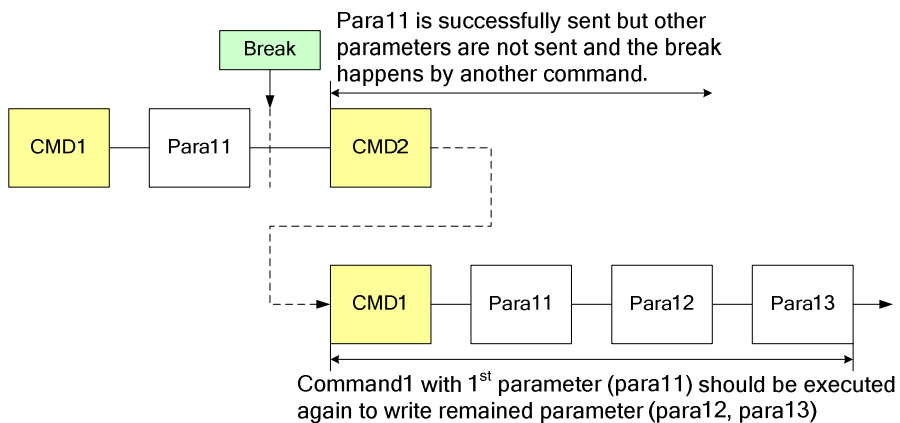


Figure 9.5.4 Write interrupts recovery (both serial and parallel Interface)

9.6 Data transfer pause

It will be possible when transferring a command, frame memory data or multiple parameter data to invoke a pause in the data transmission. If the chip select line is released after a whole byte of a frame memory data or multiple parameter data has been completed, then driver will wait and continue the frame memory data or parameter data transmission from the point where it was paused. If the chip select Line is released after a whole byte of a command has been completed, then the display module will receive either the command's parameters (if appropriate) or a new command when the chip select line is next enabled as shown below.

This applies to the following 4 conditions:

- 1) Command-Pause-Command
- 2) Command-Pause-Parameter
- 3) Parameter-Pause-Command
- 4) Parameter-Pause-Parameter

9.6.1 Serial interface pause

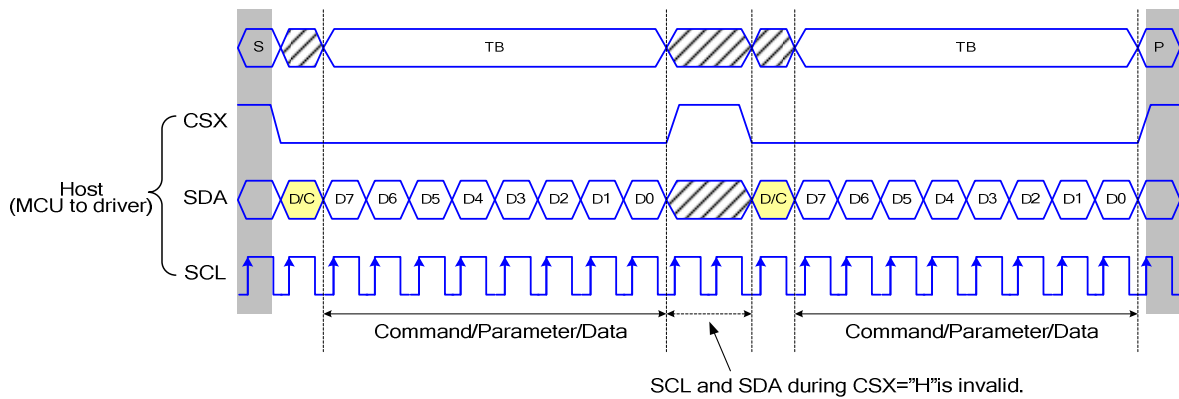


Figure 9.6.1 Serial interface pause protocol (pause by CSX)

9.6.2 Parallel interface pause

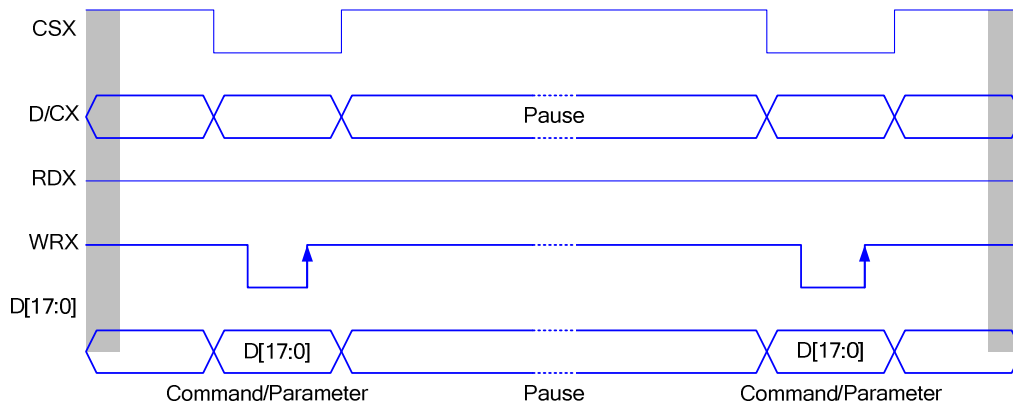


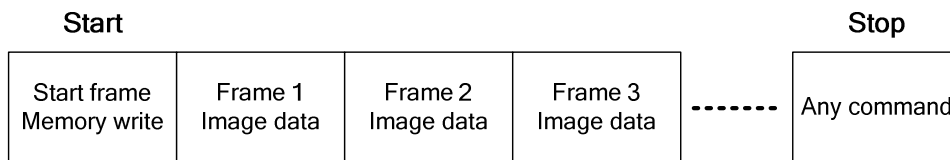
Figure 9.6.2 Parallel bus pause protocol (paused by CSX)

9.7 Data Transfer Modes

The module has three kinds color modes for transferring data to the display RAM. These are 12-bit color per pixel, 16-bit color per pixel and 18-bit color per pixel. The data format is described for each interface. Data can be downloaded to the frame memory by 2 methods.

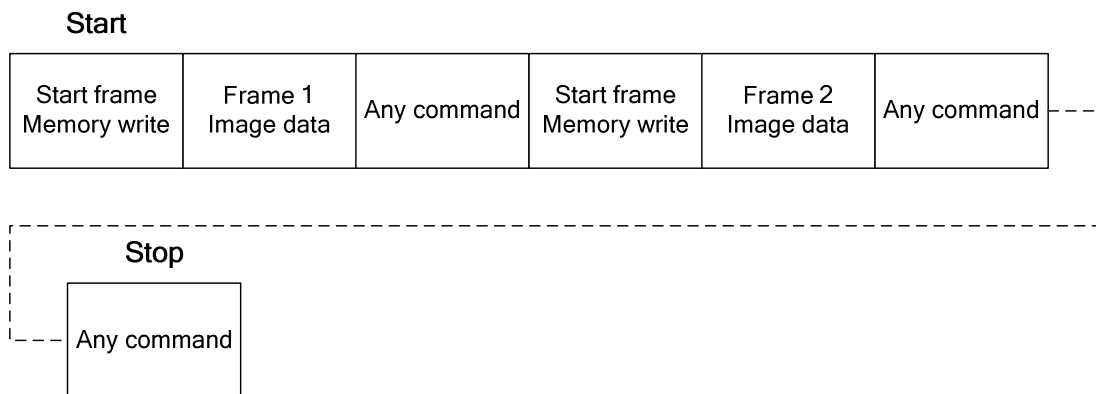
9.7.1 Method 1

The image data is sent to the frame memory in successive frame writes, each time the frame memory is filled, the frame memory pointer is reset to the start point and the next frame is written.



9.7.2 Method 2

The image data is sent and at the end of each frame memory download, a command is sent to stop frame memory write. Then start memory write command is sent, and a new frame is downloaded.



Note 1: These apply to all data transfer Color modes on both serial and parallel interfaces.

Note 2: The frame memory can contain both odd and even number of pixels for both methods. Only complete pixel data will be stored in the frame memory.

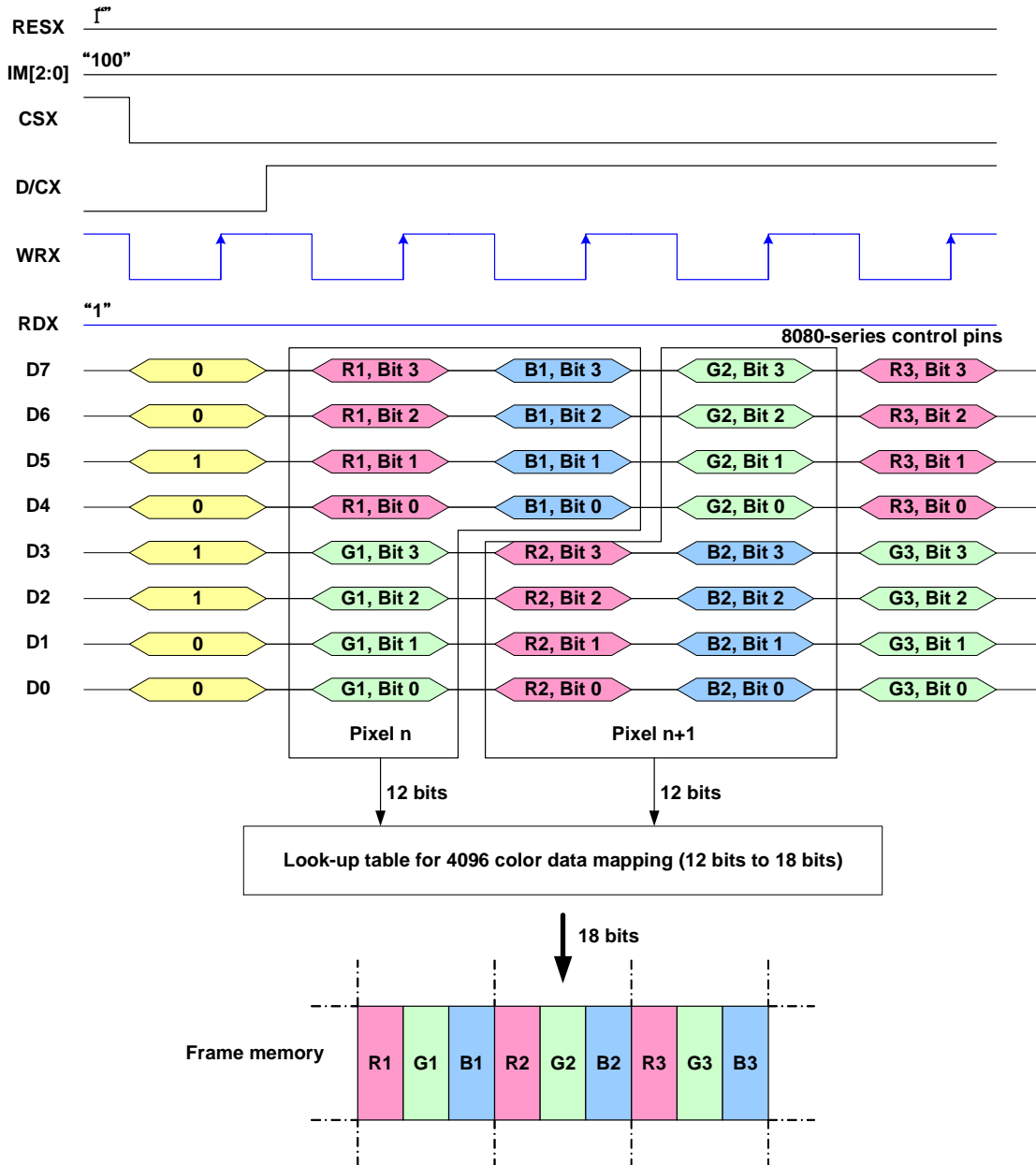
9.8 Data Color Coding

9.8.1 8-bit Parallel Interface (IM2, IM1, IM0= "100")

Different display data formats are available for three Colors depth supported by listed below.

- 4k colors, RGB 4,4,4-bit input.
- 65k colors, RGB 5,6,5-bit input.
- 262k colors, RGB 6,6,6-bit input.

9.8.2 8-bit data bus for 12-bit/pixel (RGB 4-4-4-bit input), 4K-Colors, 3AH= "03h"



Note 1: The data order is as follows, MSB=D7, LSB=D0 and picture data is MSB=Bit 3, LSB=Bit 0 for Red, Green and Blue data.

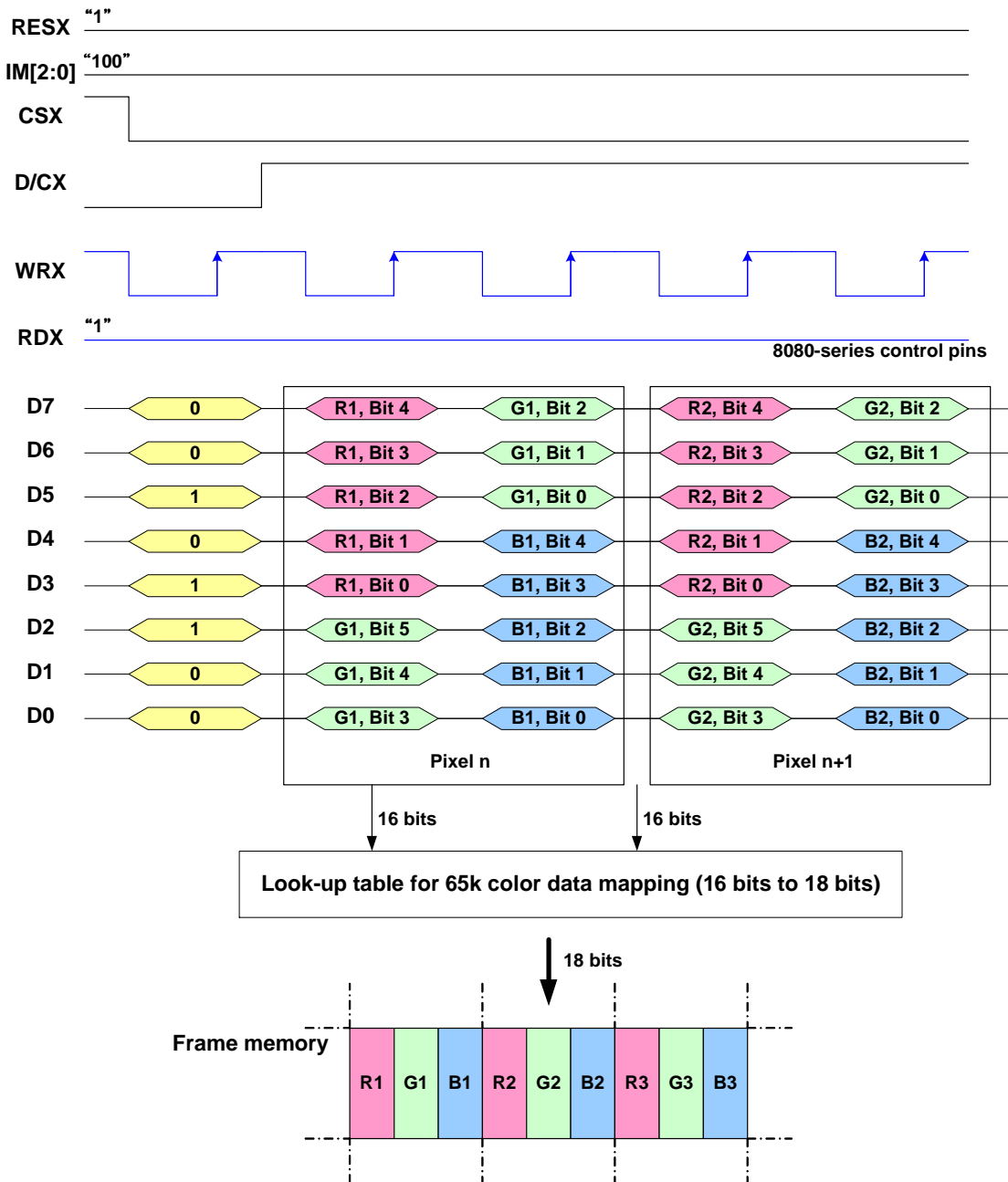
Note 2: 3-time transfer is used to transmit 1 pixel data with the 12-bit color depth information.

Note 3: '-' = Don't care - Can be set to '0' or '1'

ST7735R

9.8.3 8-bit data bus for 16-bit/pixel (RGB 5-6-5-bit input), 65K-Colors, 3AH= "05h"

There is 1 pixel (3 sub-pixels) per 2-byte



Note 1: The data order is as follows, MSB=D7, LSB=D0 and picture data is MSB=Bit 5, LSB=Bit 0 for Green and MSB=Bit 4, LSB=Bit 0 for Red and Blue data.

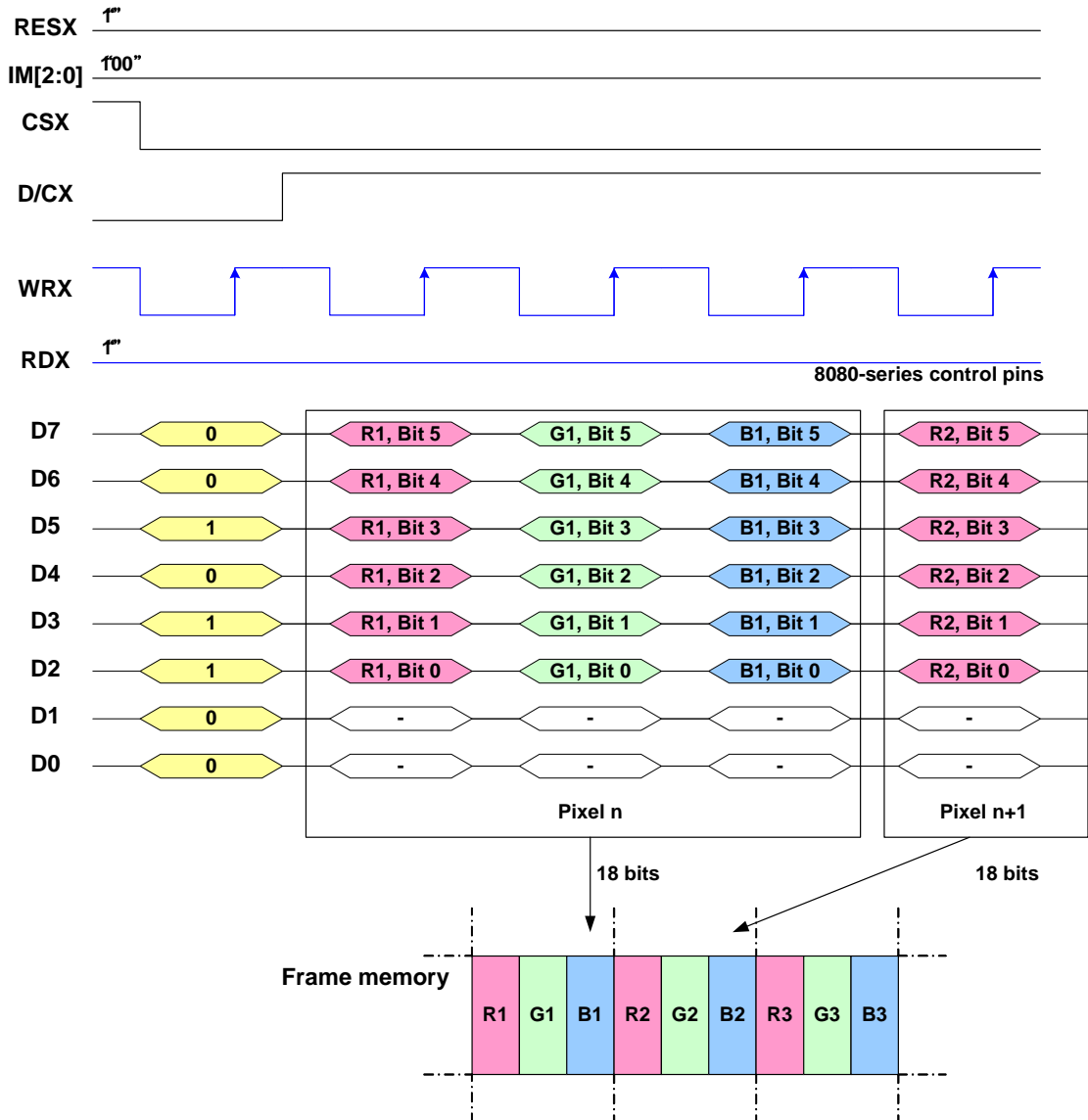
Note 2: 2-times transfer is used to transmit 1 pixel data with the 16-bit color depth information.

Note 3: '-' = Don't care - Can be set to '0' or '1'

ST7735R

9.8.4 8-bit data bus for 18-bit/pixel (RGB 6-6-6-bit input), 262K-Colors, 3AH= "06h"

There is 1 pixel (3 sub-pixels) per 3-bytes.



Note 1: The data order is as follows, MSB=D7, LSB=D0 and picture data is MSB=Bit 5, LSB=Bit 0 for Red, Green and Blue data.

Note 2: 3-times transfer is used to transmit 1 pixel data with the 18-bit color depth information.

Note 3: '-' = Don't care - Can be set to '0' or '1'

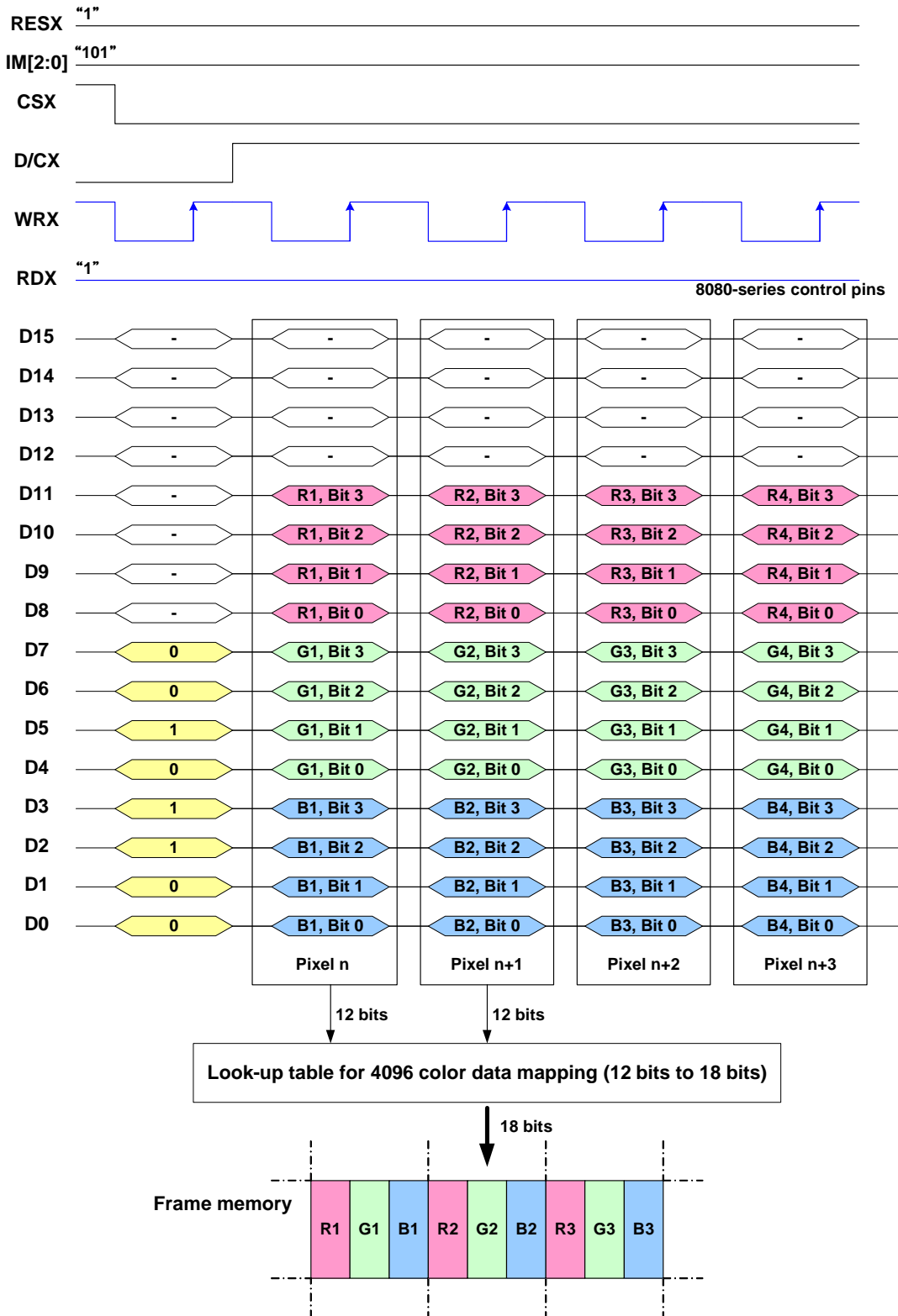
9.8.5 16-Bit Parallel Interface (IM2,IM1, IM0= "101")

Different display data formats are available for three colors depth supported by listed below.

- 4k colors, RGB 4,4,4-bit input
- 65k colors, RGB 5,6,5-bit input
- 262k colors, RGB 6,6,6-bit input

9.8.6 16-bit data bus for 12-bit/pixel (RGB 4-4-4-bit input), 4K-Colors, 3AH= "03h"

There is 1 pixel (3 sub-pixels) per 1 byte



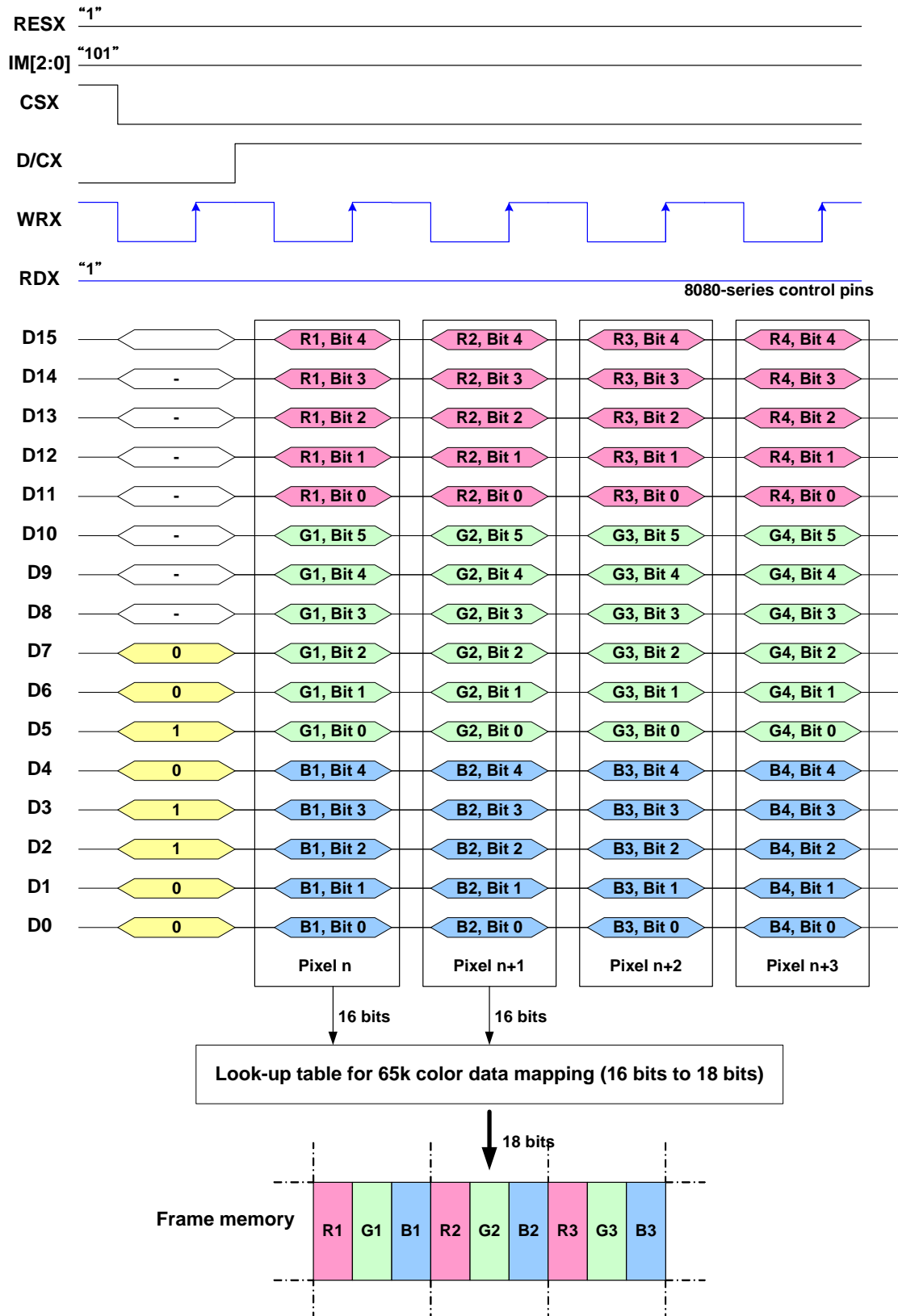
Note 1: The data order is as follows, MSB=D11, LSB=D0 and picture data is MSB=Bit 3, LSB=Bit 0 for Red, Green and Blue data.

Note 2: 1-times transfer (D11 to D0) is used to transmit 1 pixel data with the 12-bit color depth information.

ST7735R

9.8.7 16-bit data bus for 16-bit/pixel (RGB 5-6-5-bit input), 65K-Colors, 3AH= "05h"

There is 1 pixel (3 sub-pixels) per 1 byte



Note 1: The data order is as follows, MSB=D15, LSB=D0 and picture data is MSB=Bit 5, LSB=Bit 0 for Green, and MSB=Bit 4, LSB=Bit 0 for Red and Blue data.

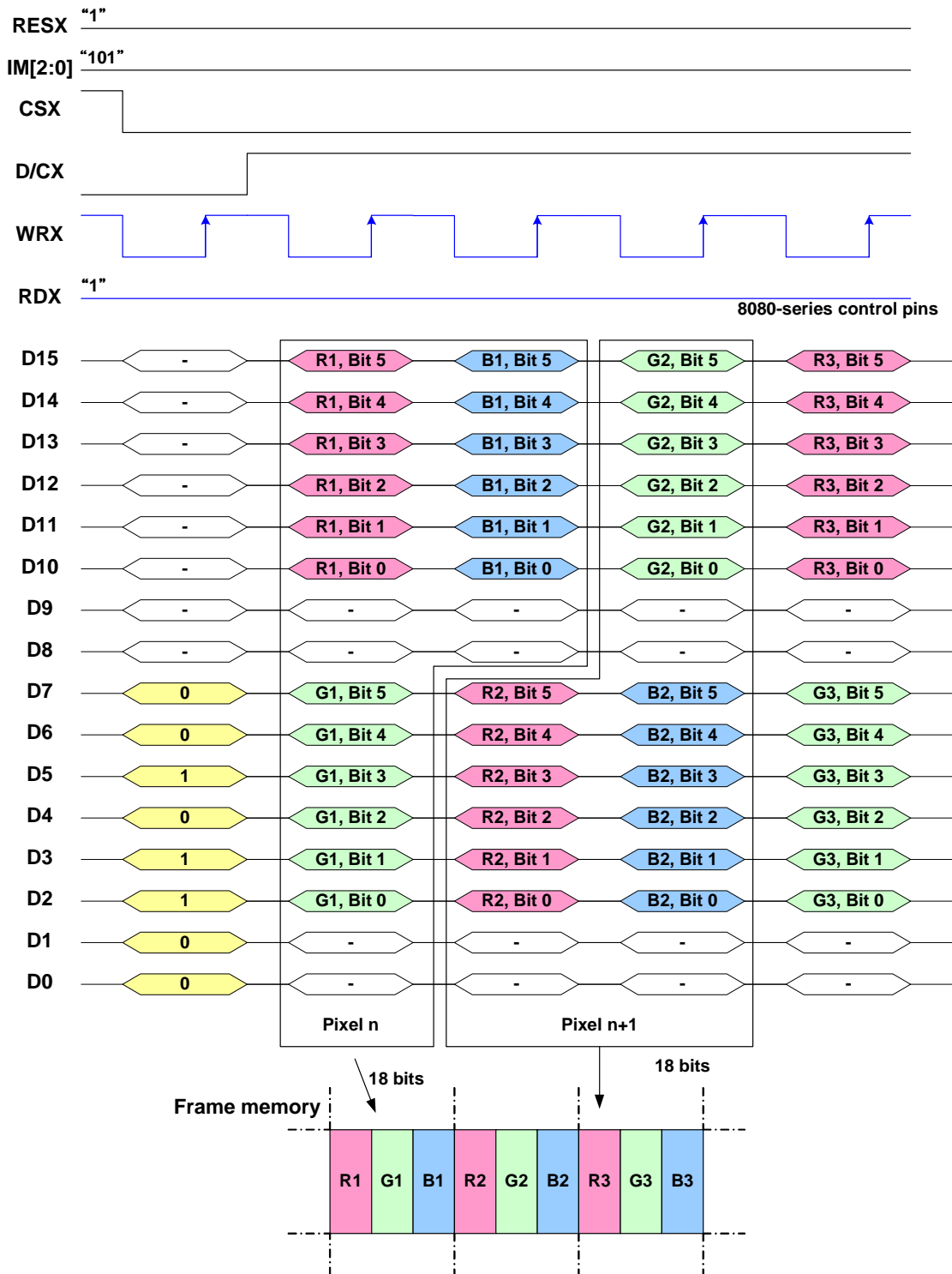
Note 2: 1-times transfer (D15 to D0) is used to transmit 1 pixel data with the 16-bit color depth information.

Note 3: '-' = Don't care - Can be set to '0' or '1'

ST7735R

9.8.8 16-bit data bus for 18-bit/pixel (RGB 6-6-6-bit input), 262K-Colors, 3AH= "06h"

There are 2 pixels (6 sub-pixels) per 3 bytes



Note 1: The data order is as follows, MSB=D15, LSB=D0 and picture data is MSB=Bits 5, LSB=Bit 0 for Red, Green and Blue data.

Note 2: 3-times transfer is used to transmit 1 pixel data with the 18-bit color depth information.

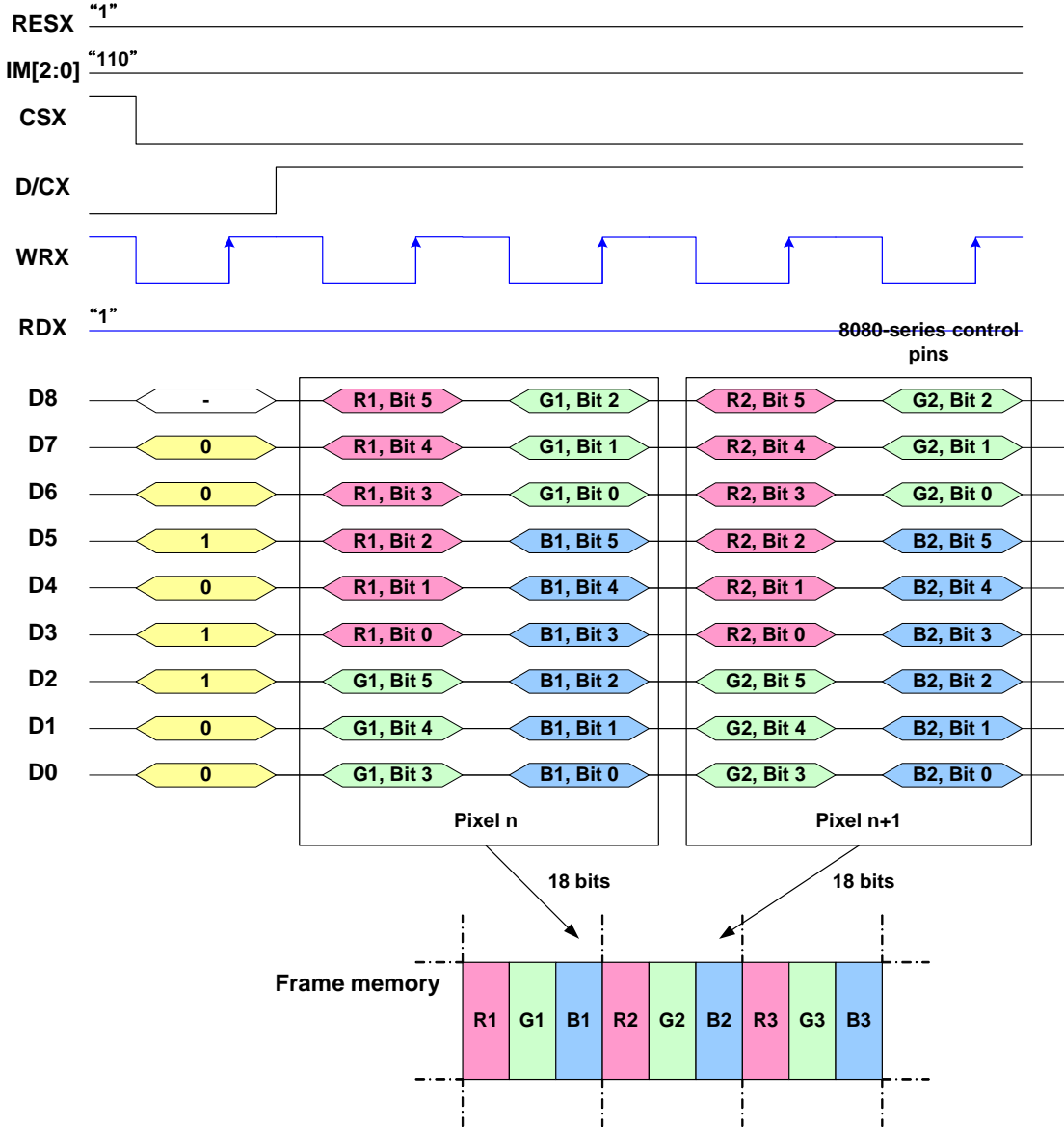
Note 3: '-' = Don't care - Can be set to '0' or '1'

9.8.9 9-Bit Parallel Interface (IM2, IM1, IM0="110")

Different display data formats are available for three colors depth supported by listed below.
 -262k colors, RGB 6,6,6-bit input

9.8.10 Write 9-bit data for RGB 6-6-6-bit input (262k-color)

There is 1 pixel (6 sub-pixels) per 3 bytes



Note 1: The data order is as follows, MSB=D8, LSB=D0 and picture data is MSB=Bit 5, LSB=Bit 0 for Red, Green and Blue data.

Note 2: 3-times transfer is used to transmit 1 pixel data with the 18-bit color depth information.

Note 3: '-' = Don't care - Can be set to '0' or '1'

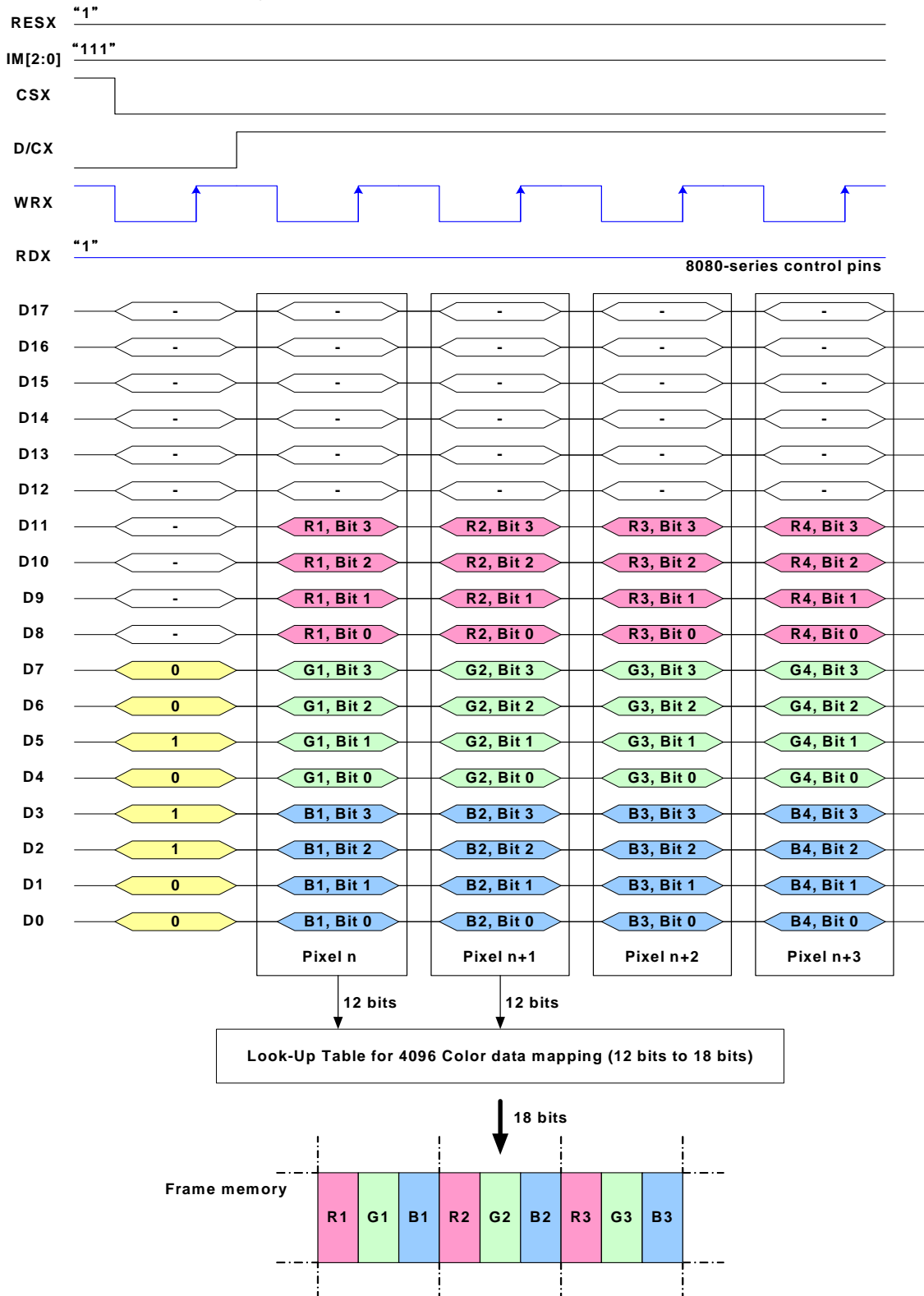
9.8.11 18-Bit Parallel Interface (IM2, IM1, IM0="111")

Different display data formats are available for three colors depth supported by listed below.

- 4k colors, RGB 4,4,4-bit input
- 65k colors, RGB 5,6,5-bit input
- 262k colors, RGB 6,6,6-bit input.

9.8.12 18-bit data bus for 12-bit/pixel (RGB 4-4-4-bit input), 4K-Colors, 3AH="03h"

There is 1 pixel (3 sub-pixels) per 1 byte

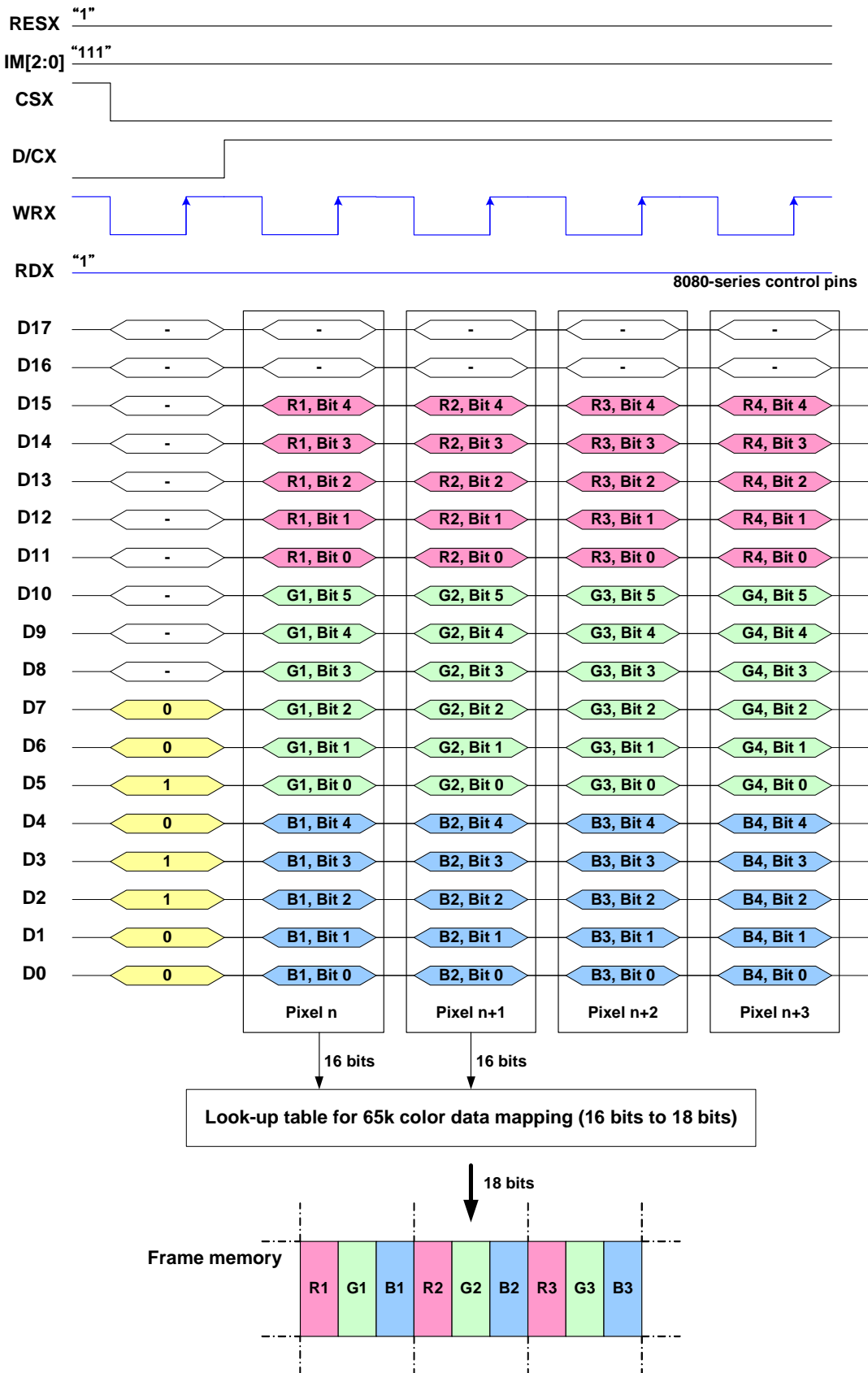


Note 1: The data order is as follows, MSB=D11, LSB=D0 and picture data is MSB=Bit 3, LSB=Bit 0 for Red, Green and Blue data.

Note 2: 1-times transfer is used to transmit 1 pixel data with the 12-bit color depth information.

9.8.13 18-bit data bus for 16-bit/pixel (RGB 5-6-5-bit input), 65K-Colors, 3AH="05h"

There is 1 pixel (3 sub-pixels) per 1 byte



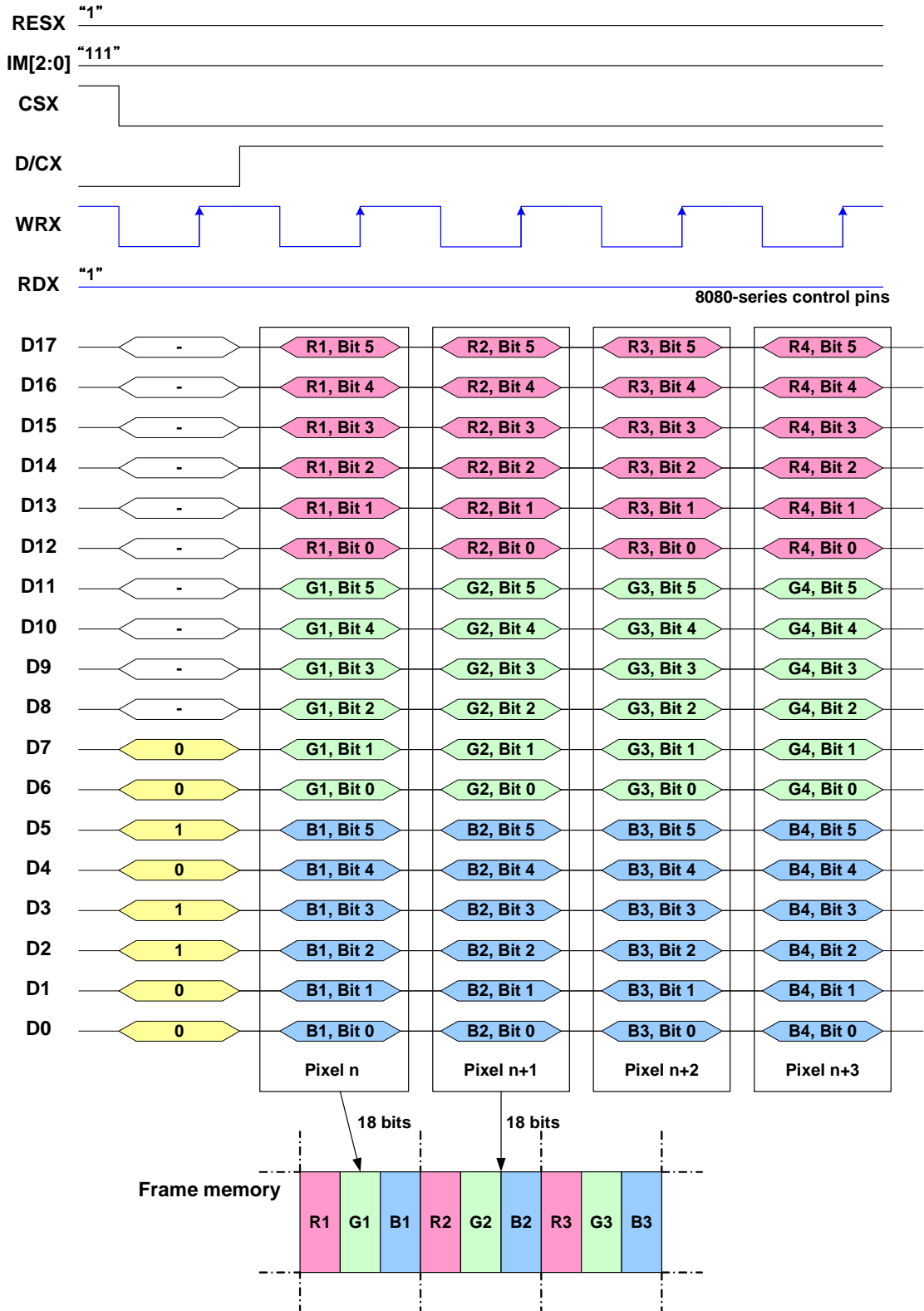
Note 1: The data order is as follows, MSB=D15, LSB=D0 and picture data is MSB=Bit 5, LSB=Bit 0 for Green, and MSB=Bit 4, LSB=Bit 0 for Red and Blue data.

Note 2: 1-time transfer is used to transmit 1 pixel data with the 16-bit color depth information.

ST7735R

9.8.14 18-bit data bus for 18-bit/pixel (RGB 6-6-6-bit input), 262K-Colors, 3AH="06h"

There is 1 pixel (3 sub-pixels) per 1 byte



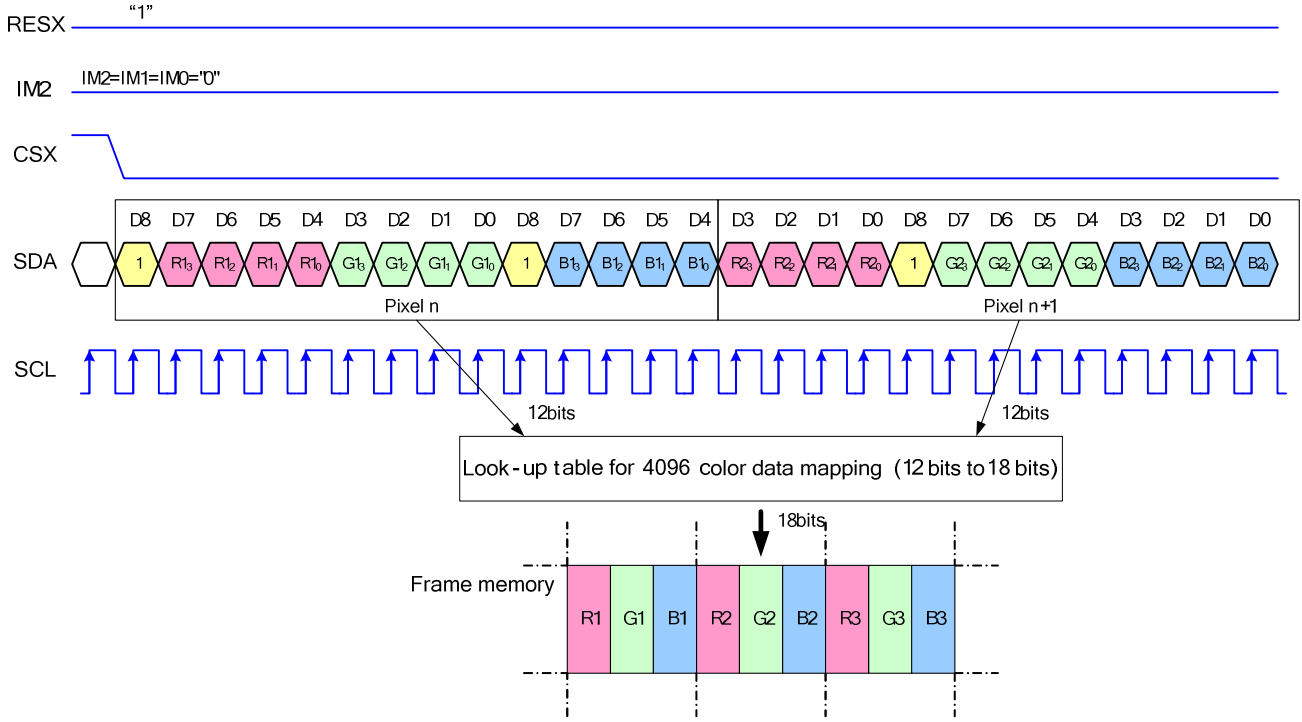
Note 1: The data order is as follows, MSB=D17, LSB=D0 and picture data is MSB=Bit 5, LSB=Bit 0 for Read, Green and Blue data.

Note 2: 1-times transfer (D17o D0) is used to transmit 1 pixel data with the 18-bit color depth information.

9.8.15 3-line serial Interface

Different display data formats are available for three colors depth supported by the LCM listed below.
 4k colors, RGB 4-4-4-bit input
 65k colors, RGB 5-6-5-bit input
 262k colors, RGB 6-6-6-bit input

9.8.16 Write data for 12-bit/pixel (RGB 4-4-4-bit input), 4K-Colors, 3AH="03h"



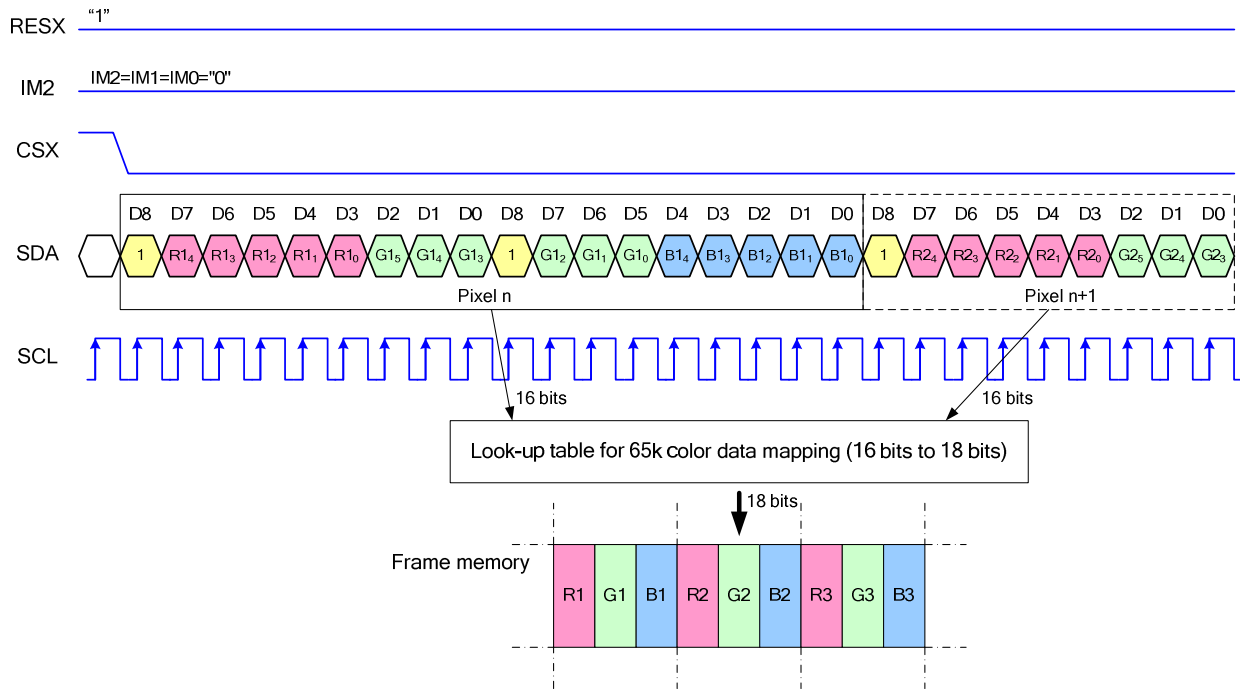
Note 1: Pixel data with the 12-bit color depth information

Note 2: The most significant bits are: Rx3, Gx3 and Bx3

Note 3: The least significant bits are: Rx0, Gx0 and Bx0

ST7735R

9.8.17 Write data for 16-bit/pixel (RGB 5-6-5-bit input), 65K-Colors, 3AH="05h"

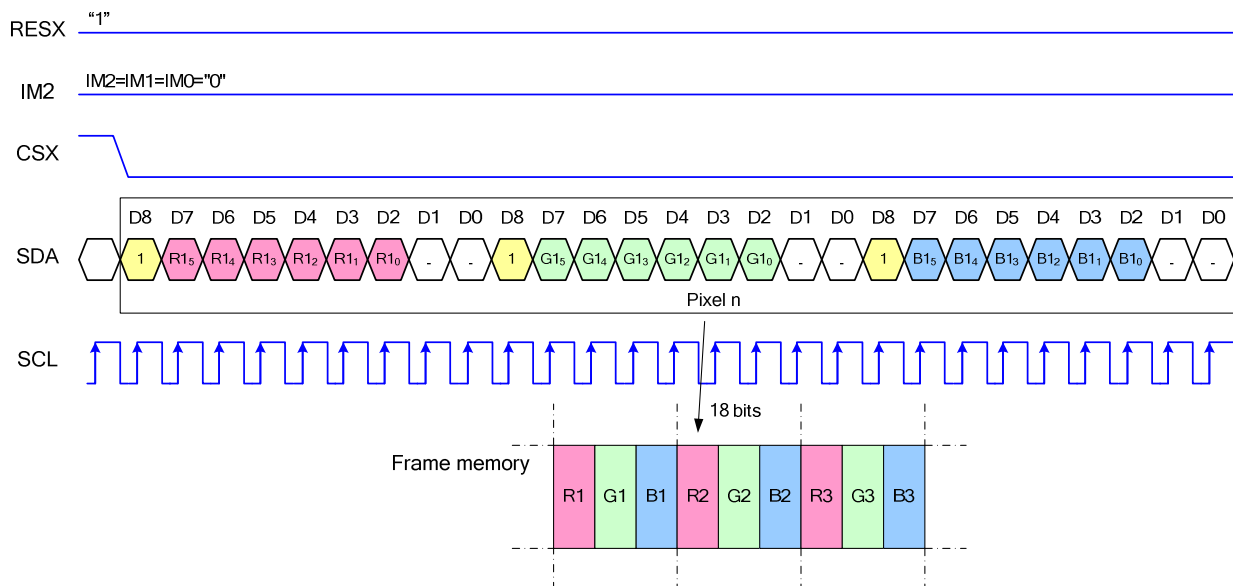


Note 1: Pixel data with the 16-bit color depth information

Note 2: The most significant bits are: Rx4, Gx5 and Bx4

Note 3: The least significant bits are: Rx0, Gx0 and Bx0

9.8.18 Write data for 18-bit/pixel (RGB 6-6-6-bit input), 262K-Colors, 3AH="06h"



Note 1: Pixel data with the 18-bit color depth information

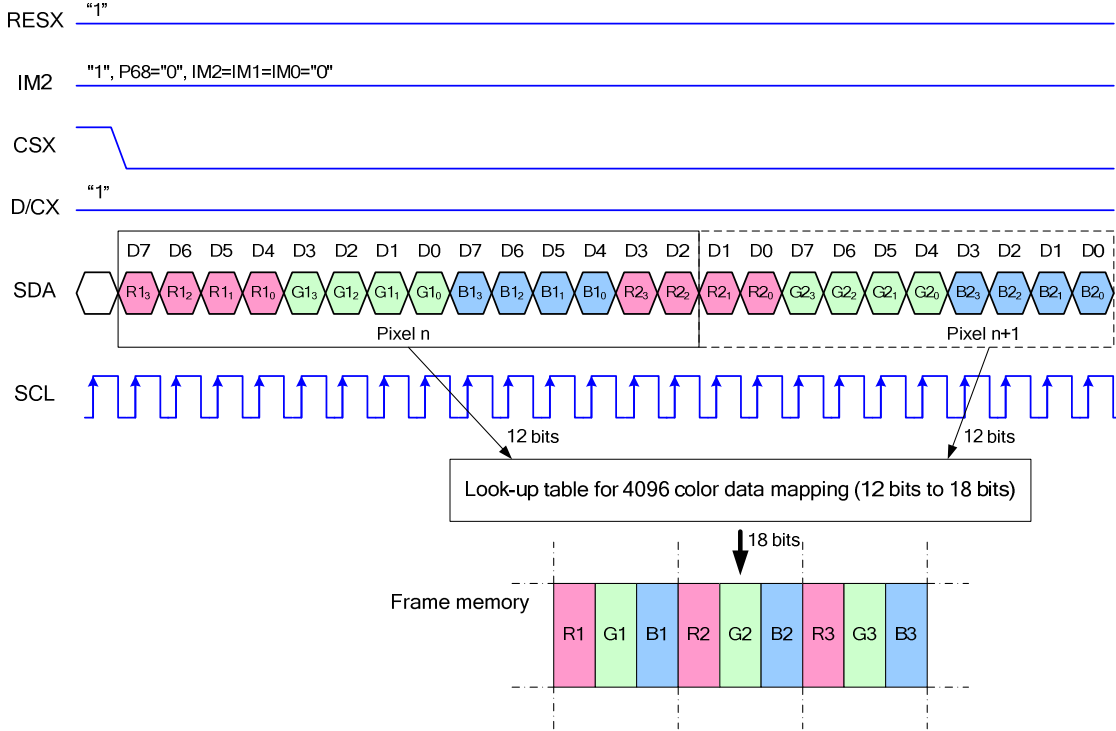
Note 2: The most significant bits are: Rx5, Gx5 and Bx5

Note 3: The least significant bits are: Rx0, Gx0 and Bx0

9.8.19 4-line serial Interface

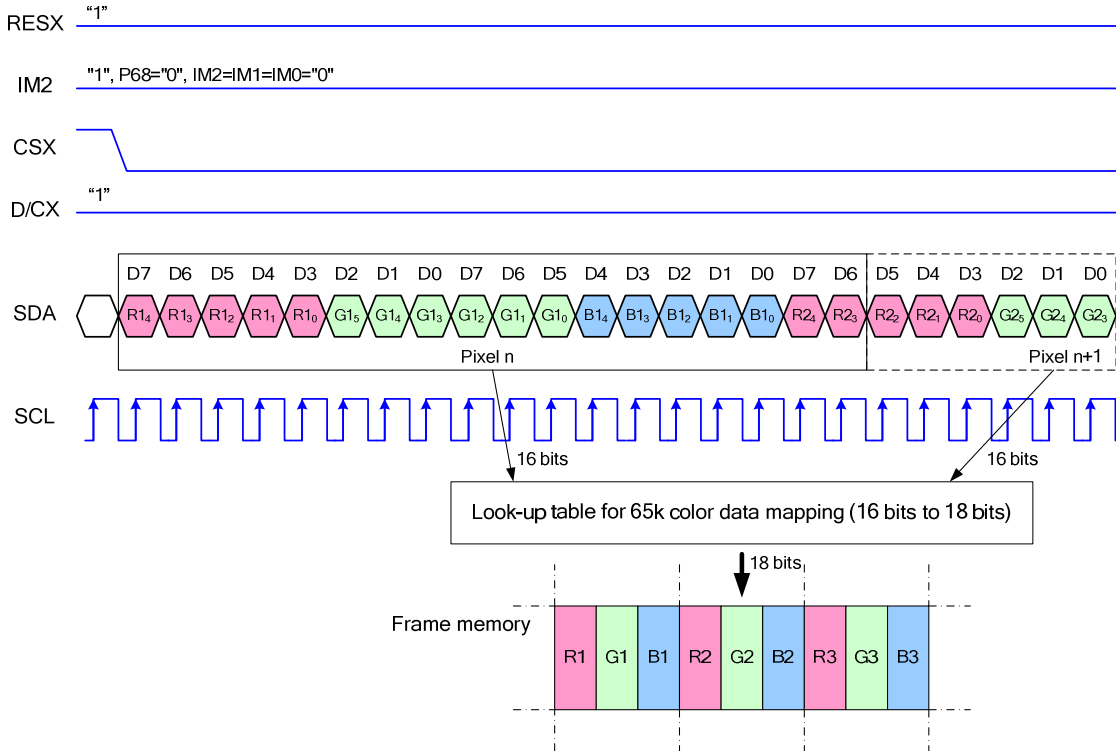
Different display data formats are available for three colors depth supported by the LCM listed below.
 4k colors, RGB 4-4-4-bit input
 65k colors, RGB 5-6-5-bit input
 262k colors, RGB 6-6-6-bit input

9.8.20 Write data for 12-bit/pixel (RGB 4-4-4-bit input), 4K-Colors, 3AH="03h"



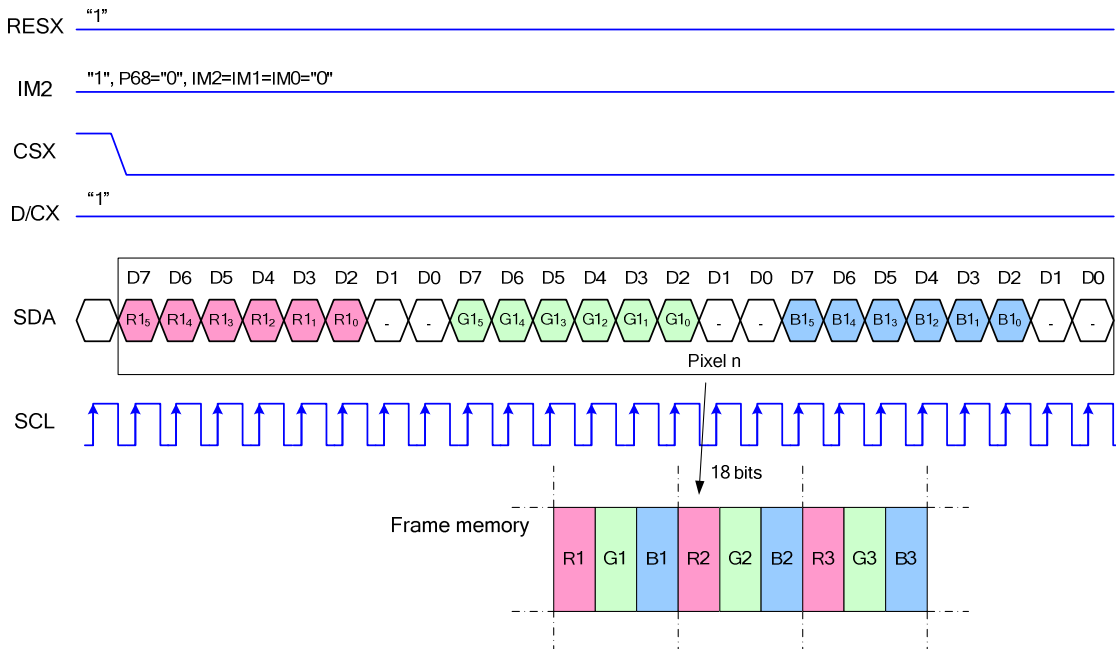
Note 1. pixel data with the 12-bit color depth information
 Note 2. The most significant bits are: Rx3, Gx3 and Bx3
 Note 3. The least significant bits are: Rx0, Gx0 and Bx0

9.8.21 Write data for 16-bit/pixel (RGB 5-6-5-bit input), 65K-Colors, 3AH="05h"



- Note 1. pixel data with the 16-bit color depth information
- Note 2. The most significant bits are: Rx4, Gx5 and Bx4
- Note 3. The least significant bits are: Rx0, Gx0 and Bx0

9.8.22 Write data for 18-bit/pixel (RGB 6-6-6-bit input), 262K-Colors, 3AH="06h"



- Note 1. pixel data with the 18-bit color depth information
- Note 2. The most significant bits are: Rx5, Gx5 and Bx5
- Note 3. The least significant bits are: Rx0, Gx0 and Bx0

9.9 Display Data RAM

9.9.1 Configuration (GM[1:0] = "00")

The display module has an integrated 132x162x18-bit graphic type static RAM. This 384,912-bit memory allows storing on-chip a 132xRGBx162 image with an 18-bpp resolution (262K-color). There will be no abnormal visible effect on the display when there is a simultaneous Panel Read and Interface Read or Write to the same location of the Frame Memory.

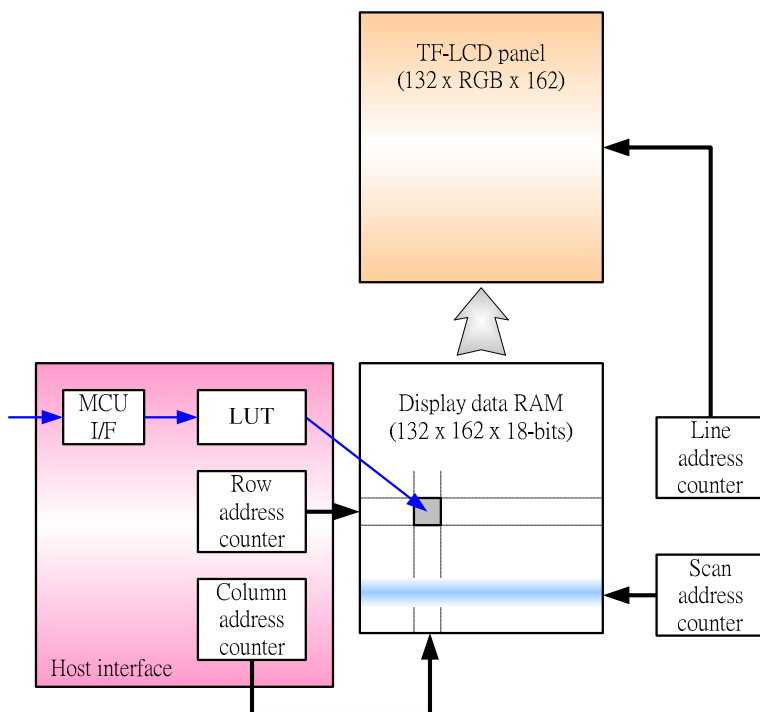
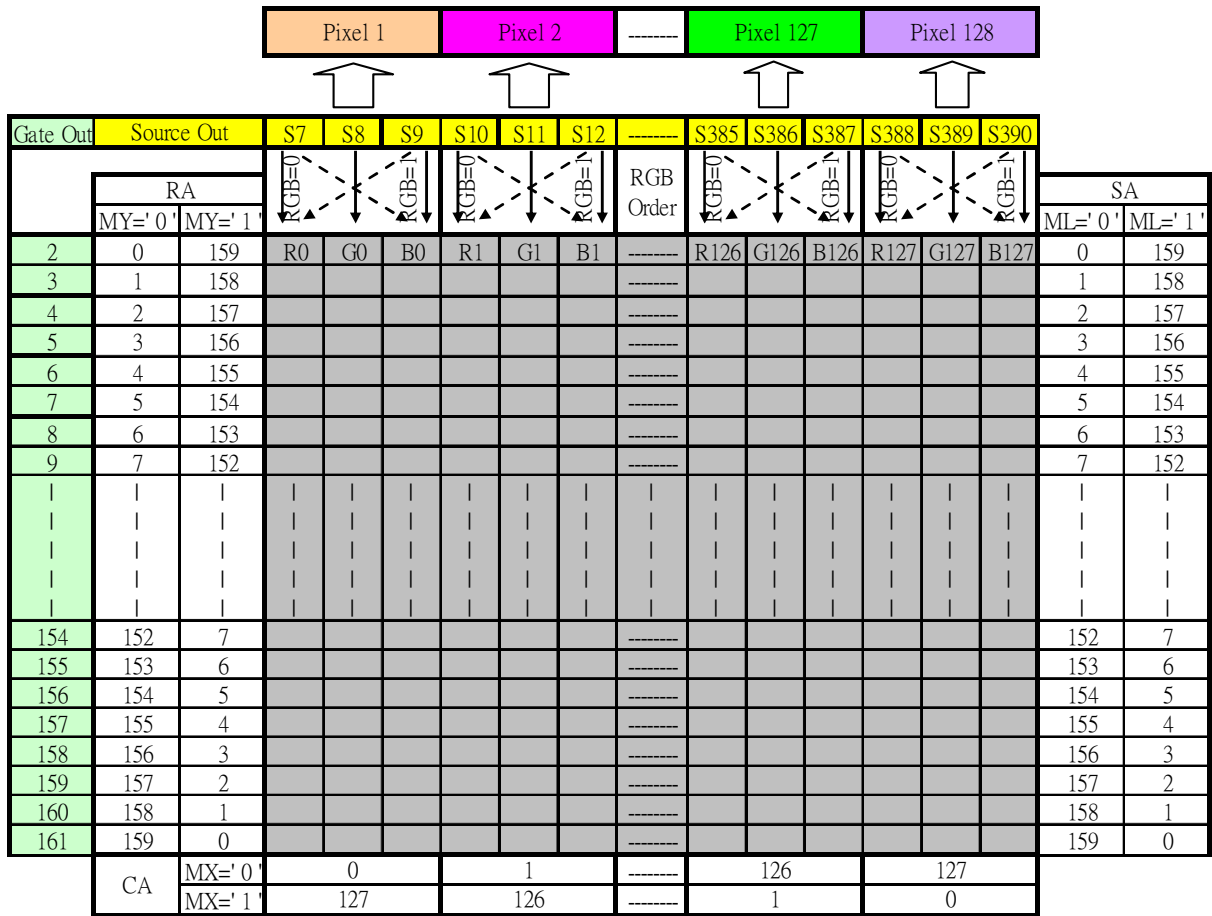


Figure 9.9.1 Display data RAM organization

ST7735R

9.9.2 Memory to Display Address Mapping

9.9.3 When using 128RGB x 160 resolution (GM[1:0] = "11", SMX=SMY=SRGB= '0')



Note

RA = Row Address,

CA = Column Address

SA = Scan Address

MX = Mirror X-axis (Column address direction parameter), D6 parameter of MADCTL command

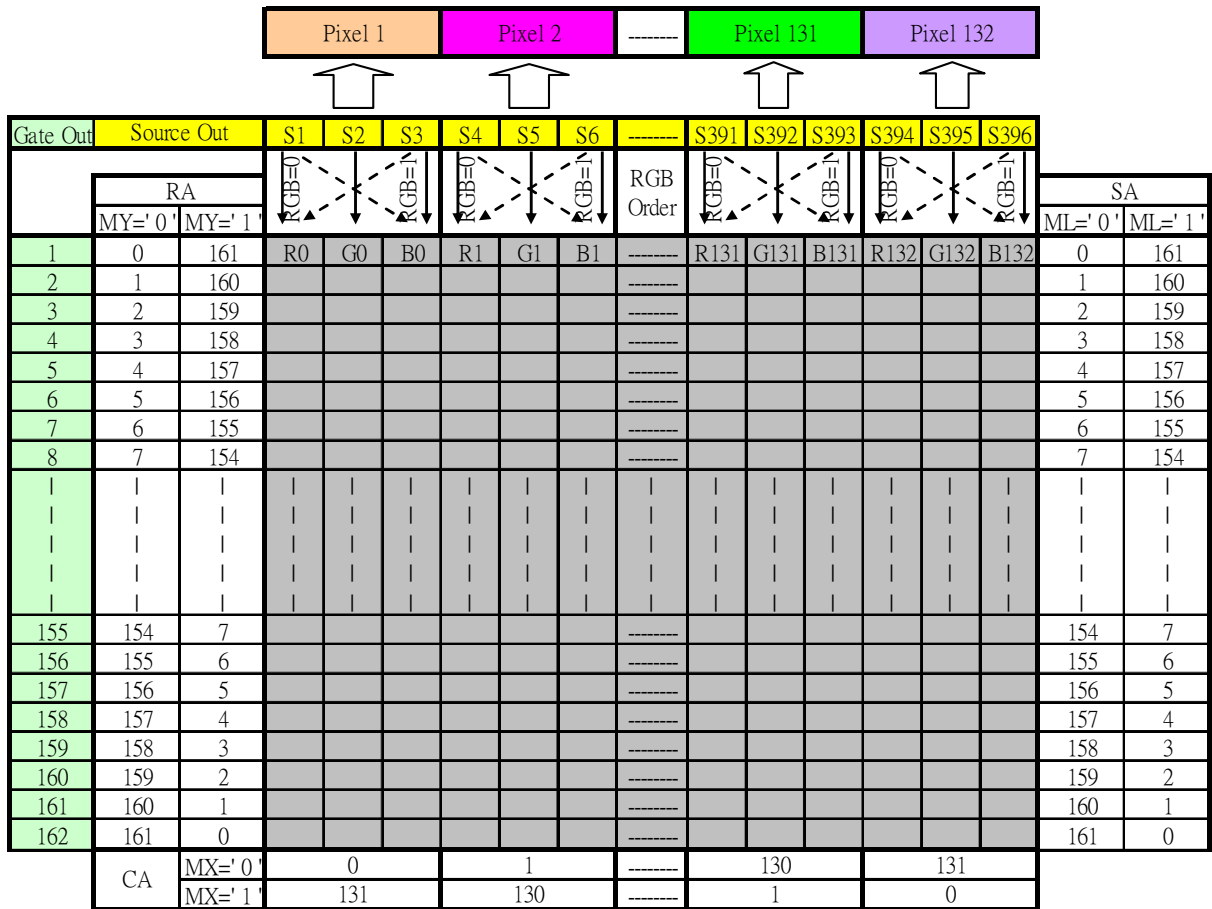
MY = Mirror Y-axis (Row address direction parameter), D7 parameter of MADCTL command

ML = Scan direction parameter, D4 parameter of MADCTL command

RGB = Red, Green and Blue pixel position change, D3 parameter of MADCTL command

ST7735R

9.9.4 When using 132RGB x 162 resolution (GM[1:0] = "00", SMX=SMY=SRGB= '0')



Note

RA = Row Address,

CA = Column Address

SA = Scan Address

MX = Mirror X-axis (Column address direction parameter), D6 parameter of MADCTL command

MY = Mirror Y-axis (Row address direction parameter), D7 parameter of MADCTL command

ML = Scan direction parameter, D4 parameter of MADCTL command

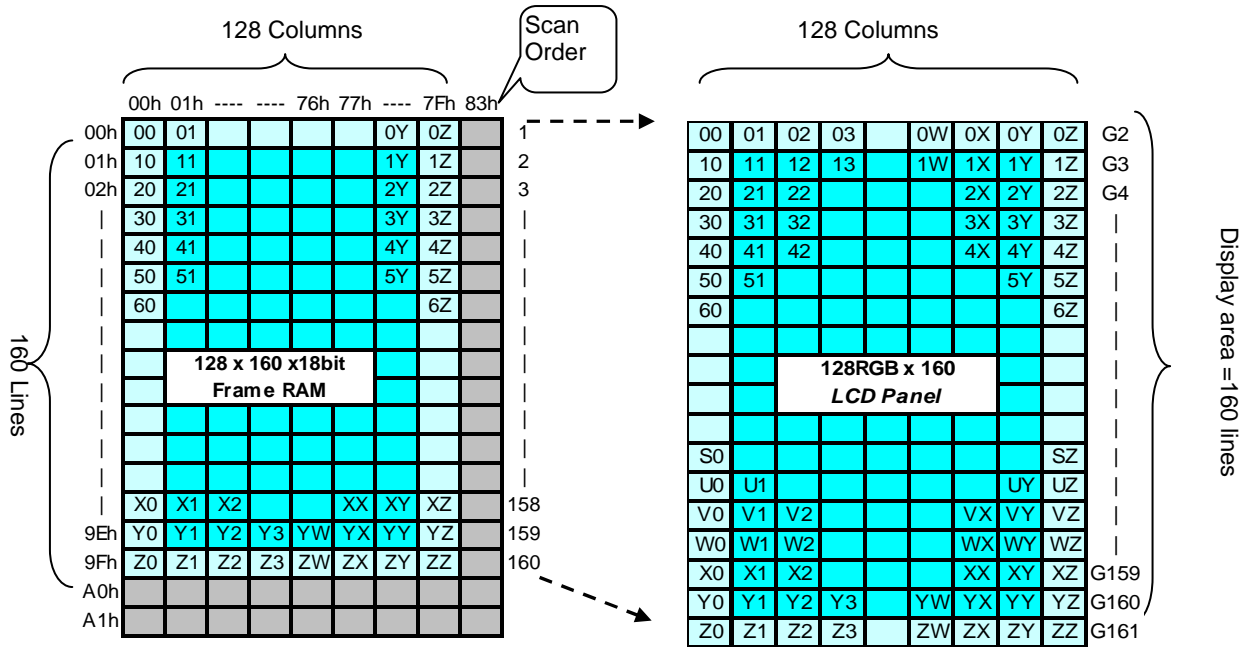
RGB = Red, Green and Blue pixel position change, D3 parameter of MADCTL command

9.9.5 Normal Display On or Partial Mode On

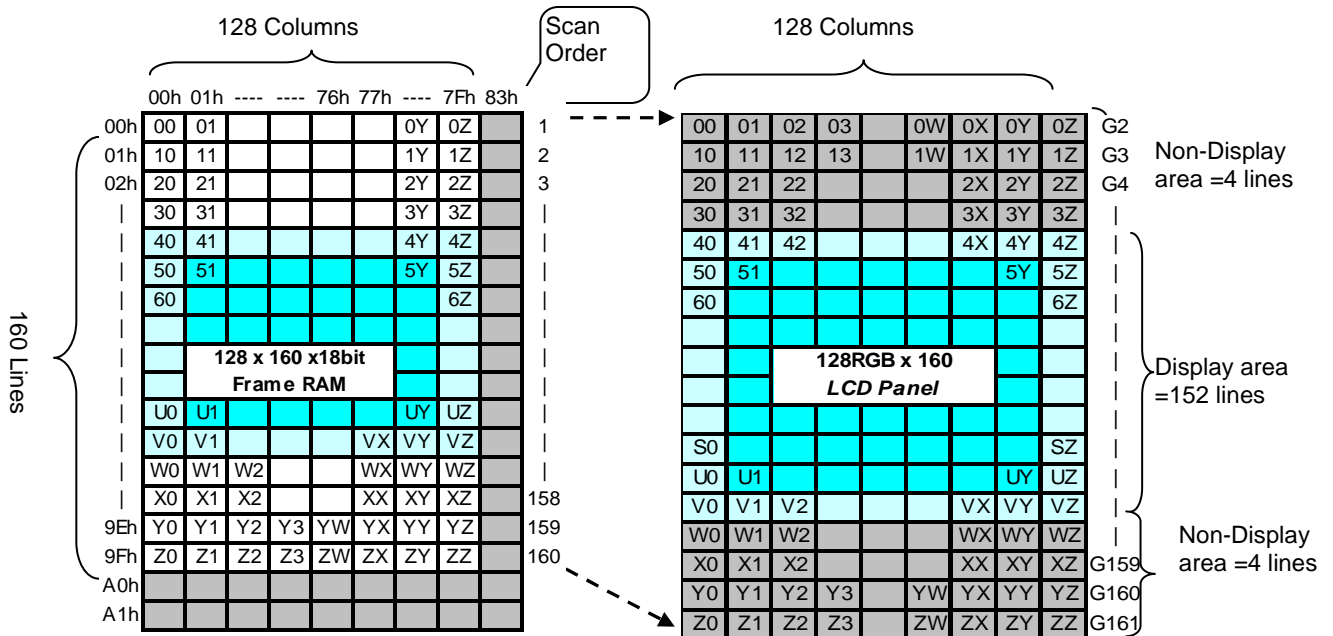
9.9.6 When using 128RGB x 160 resolution (GM[1:0] = "11")

In this mode, the content of the frame memory within an area where column pointer is 00h to 7Fh and page pointer is 00h to 9Fh is displayed. To display a dot on leftmost top corner, store the dot data at (column pointer, row pointer) = (0, 0).

1). Example for Normal Display On (MX=MY=ML='0', SMX=SMY='0')



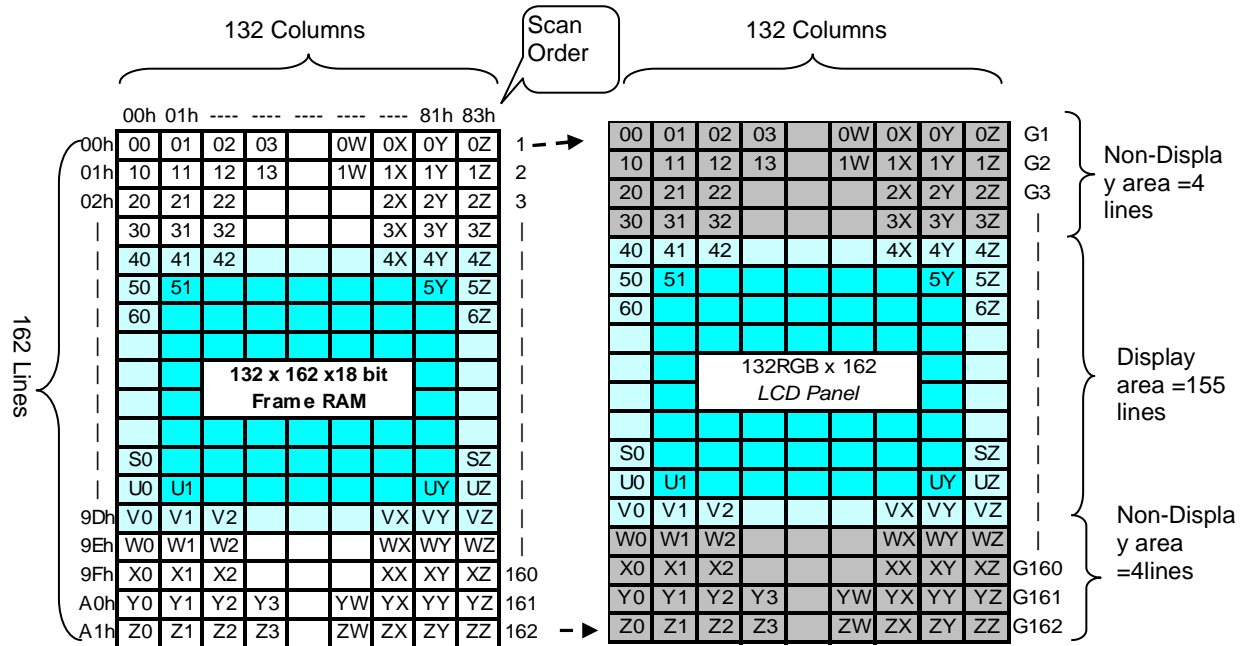
2). Example for Partial Display On (PSL[7:0]=04h, PEL[7:0]=9Bh, MX=MV=ML='0', SMX=SMY='0')



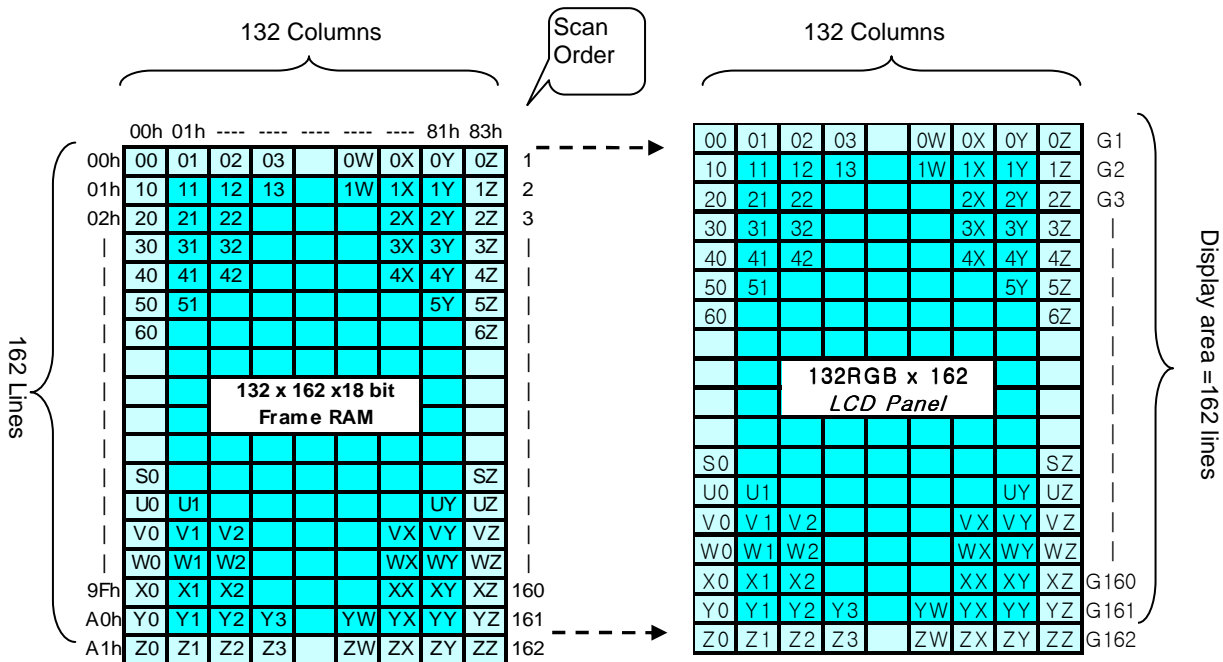
9.9.7 When using 132RGB x 162 resolution (GM[1:0] = "00")

In this mode, contents of the frame memory within an area where column pointer is 00h to 83h and page pointer is 00h to A1h is displayed. To display a dot on leftmost top corner, store the dot data at (column pointer, row pointer) = (0, 0)

1). Example for Normal Display On (MX=MY=ML='0', SMX=SMY='0')



2). Example for Partial Display On (PSL[7:0]=04h, PEL[7:0]=9Dh, MX=MV=ML='0', SMX=SMY='0')



9.10 Address Counter

The address counter sets the addresses of the display data RAM for writing and reading.

Data is written pixel-wise into the RAM matrix of DRIVER. The data for one pixel or two pixels is collected (RGB 6-6-6-bit), according to the data formats. As soon as this pixel-data information is complete the "Write access" is activated on the RAM. The locations of RAM are addressed by the address pointers. The address ranges are X=0 to X=131 (83h) and Y=0 to Y=161 (A1h). Addresses outside these ranges are not allowed. Before writing to the RAM, a window must be defined that will be written. The window is programmable via the command registers XS, YS designating the start address and XE, YE designating the end address.

For example the whole display contents will be written, the window is defined by the following values: XS=0 (0h) YS=0 (0h) and XE=127 (83h), YE=161 (A1h).

In vertical addressing mode (MV=1), the Y-address increments after each byte, after the last Y-address (Y=YE), Y wraps around to YS and X increments to address the next column. In horizontal addressing mode (V=0), the X-address increments after each byte, after the last X-address (X=XE), X wraps around to XS and Y increments to address the next row. After the every last address (X=XE and Y=YE) the address pointers wrap around to address (X=XS and Y=YS).

For flexibility in handling a wide variety of display architectures, the commands "CASET, RASET and MADCTL" (see section 10 command list), define flags MX and MY, which allows mirroring of the X-address and Y-address. All combinations of flags are allowed. Section 9.10 show the available combinations of writing to the display RAM. When MX, MY and MV will be changed the data must be rewritten to the display RAM.

For each image condition, the controls for the column and row counters apply as section 9.11 below

Condition	Column Counter	Row Counter
When RAMWR/RAMRD command is accepted	Return to "Start Column (XS)"	Return to "Start Row (YS)"
Complete Pixel Read / Write action	Increment by 1	No change
The Column counter value is larger than "End Column (XE)"	Return to "Start Column (XS)"	Increment by 1
The Column counter value is larger than "End Column (XE)" and the Row counter value is larger than "End Row (YE)"	Return to "Start Column (XS)"	Return to "Start Row (YS)"

9.11 Memory Data Write/ Read Direction

The data is written in the order illustrated above. The Counter which dictates where in the physical memory the data is to be written is controlled by “Memory Data Access Control” Command, bits B5 (MV), B6 (MX), B7 (MY) as described below.

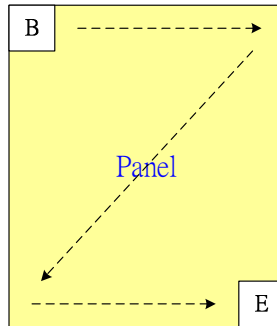


Figure 9.11.1 Data streaming order

9.11.1 When 128RGBx160 (GM= “11”)

MV	MX	MY	CASET	RASET
0	0	0	Direct to Physical Column Pointer	Direct to Physical Row Pointer
0	0	1	Direct to Physical Column Pointer	Direct to (159-Physical Row Pointer)
0	1	0	Direct to (127-Physical Column Pointer)	Direct to Physical Row Pointer
0	1	1	Direct to (127-Physical Column Pointer)	Direct to (159-Physical Row Pointer)
1	0	0	Direct to Physical Row Pointer	Direct to Physical Column Pointer
1	0	1	Direct to (159-Physical Row Pointer)	Direct to Physical Column Pointer
1	1	0	Direct to Physical Row Pointer	Direct to (127-Physical Column Pointer)
1	1	1	Direct to (159-Physical Row Pointer)	Direct to (127-Physical Column Pointer)

9.11.2 When 132RGBx162 (GM= “00”)

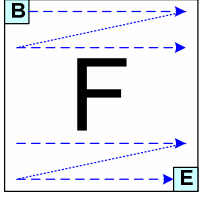
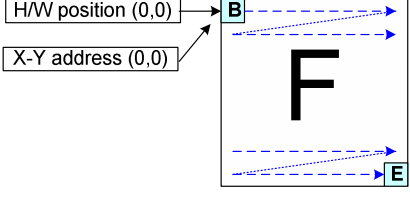
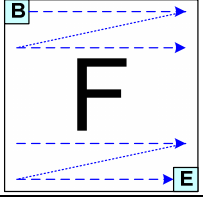
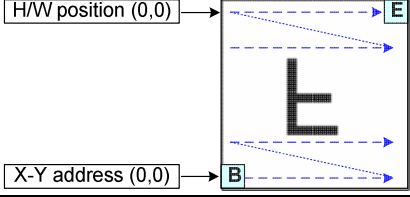
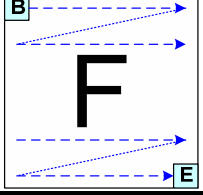
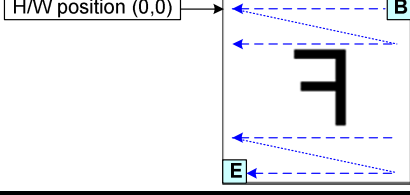
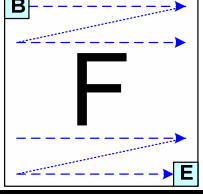
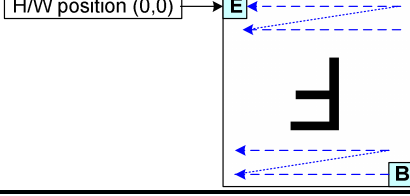
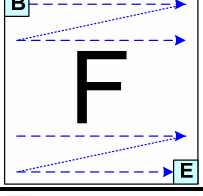
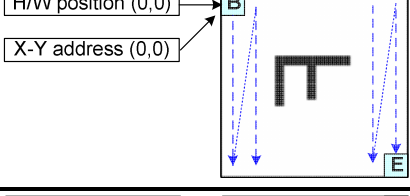
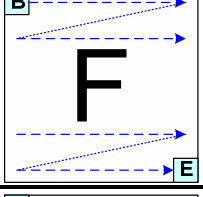
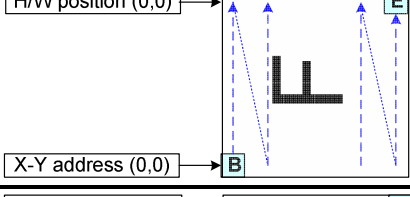
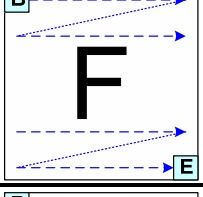
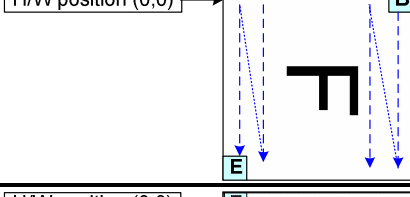
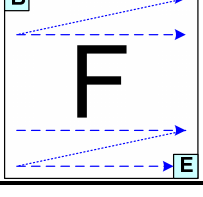
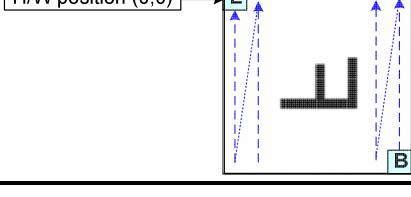
MV	MX	MY	CASET	RASET
0	0	0	Direct to Physical Column Pointer	Direct to Physical Row Pointer
0	0	1	Direct to Physical Column Pointer	Direct to (161-Physical Row Pointer)
0	1	0	Direct to (131-Physical Column Pointer)	Direct to Physical Row Pointer
0	1	1	Direct to (131-Physical Column Pointer)	Direct to (161-Physical Row Pointer)
1	0	0	Direct to Physical Row Pointer	Direct to Physical Column Pointer
1	0	1	Direct to (161-Physical Row Pointer)	Direct to Physical Column Pointer
1	1	0	Direct to Physical Row Pointer	Direct to (131-Physical Column Pointer)
1	1	1	Direct to (161-Physical Row Pointer)	Direct to (131-Physical Column Pointer)

Note: Data is always written to the Frame Memory in the same order, regardless of the Memory Write Direction set by MADCTL bits B7 (MY), B6 (MX), B5 (MV). The write order for each pixel unit is

D17	D16	D15	D14	D13	D12	D11	D10	D9	D8	D7	D6	D5	D4	D3	D2	D1	D0
R5	R4	R3	R2	R1	R0	G5	G4	G3	G2	G1	G0	B5	B4	B3	B2	B1	B0

One pixel unit represents 1 column and 1page counter value on the Frame Memory.

9.11.3 Frame Data Write Direction According to the MADCTL parameters (MV, MX and MY)

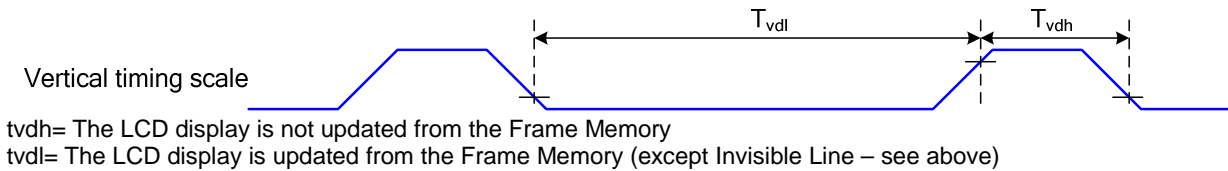
Display Data Direction	MADCTL Parameter			Image in the Host (MPU)	Image in the Driver (DDRAM)
	MV	MX	MY		
Normal	0	0	0		
Y-Mirror	0	0	1		
X-Mirror	0	1	0		
X-Mirror Y-Mirror	0	1	1		
X-Y Exchange	1	0	0		
X-Y Exchange Y-Mirror	1	0	1		
X-Y Exchange X-Mirror	1	1	0		
X-Y Exchange X-Mirror Y-Mirror	1	1	1		

9.12 Tearing Effect Output Line

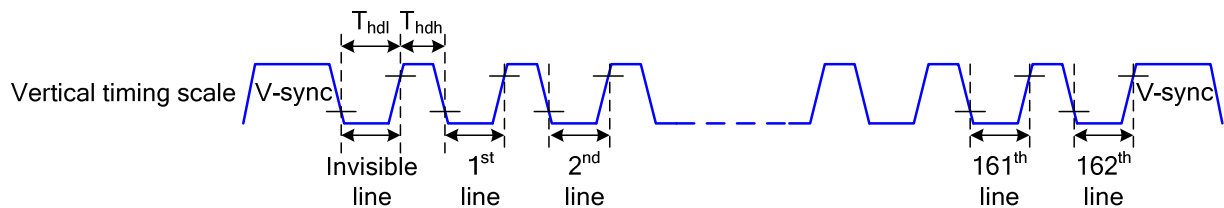
The Tearing Effect output line supplies to the MPU a Panel synchronization signal. This signal can be enabled or disabled by the Tearing Effect Line Off & On commands. The mode of the Tearing Effect signal is defined by the parameter of the Tearing Effect Line On command. The signal can be used by the MPU to synchronize Frame Memory Writing when displaying video images.

9.12.1 Tearing Effect Line Modes

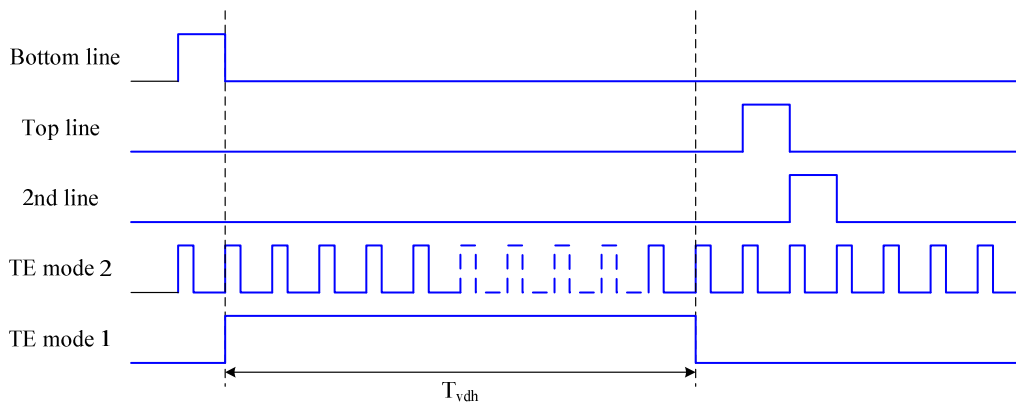
Mode 1, the Tearing Effect Output signal consists of V-Blanking Information only:



Mode 2, the Tearing Effect Output signal consists of V-Blanking and H-Blanking Information, there is one V-sync and 162 H-sync pulses per field.



thdh= The LCD display is not updated from the Frame Memory
 thdl= The LCD display is updated from the Frame Memory (except Invisible Line – see above)

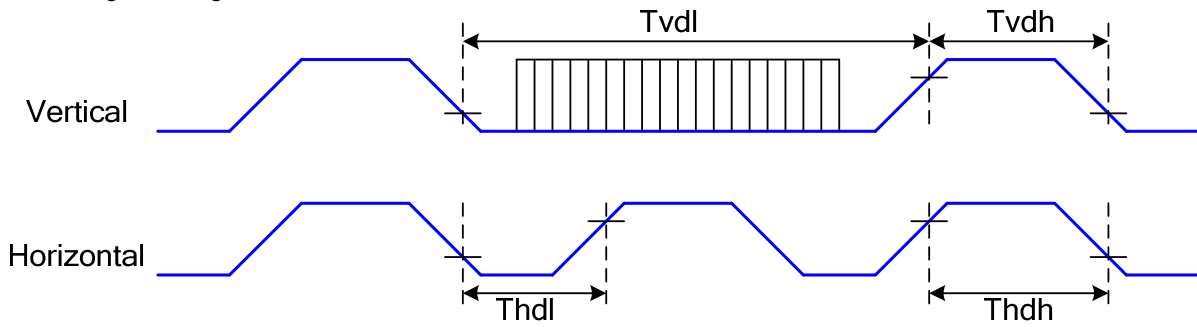


Note: During Sleep In Mode, the Tearing Output Pin is active Low.

ST7735R

9.12.2 Tearing Effect Line Timings

The Tearing Effect signal is described below:

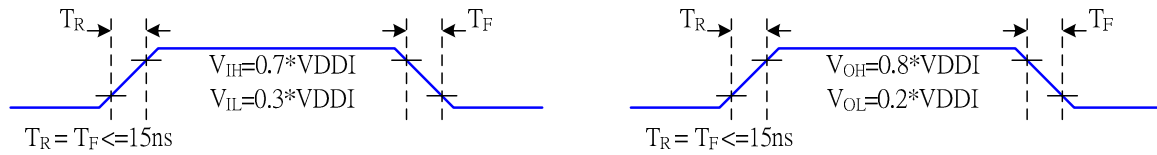


Symbol	Parameter	min	max	unit	description
tvdl	Vertical Timing Low Duration	13	-	ms	
tvdh	Vertical Timing High Duration	1000	-	μ s	
thdl	Horizontal Timing Low Duration	33	-	μ s	
thdh	Horizontal Timing Low Duration	25	500	μ s	

Table 9.12.1 AC characteristics of Tearing Effect Signal Idle Mode Off (Frame Rate = 60 Hz, Ta=25°C)

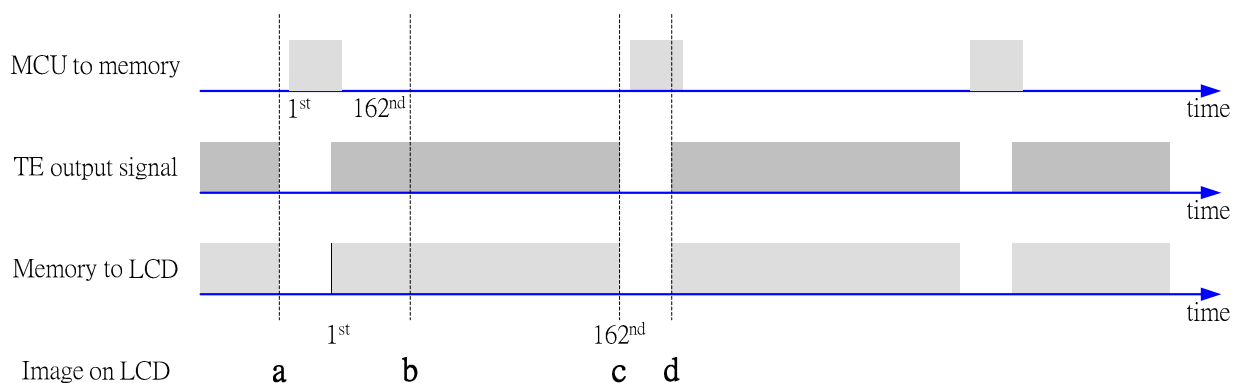
Note: The timings in Table 9.10.1 apply when MADCTL ML=0 and ML=1

The signal's rise and fall times (tf, tr) are stipulated to be equal to or less than 15ns.

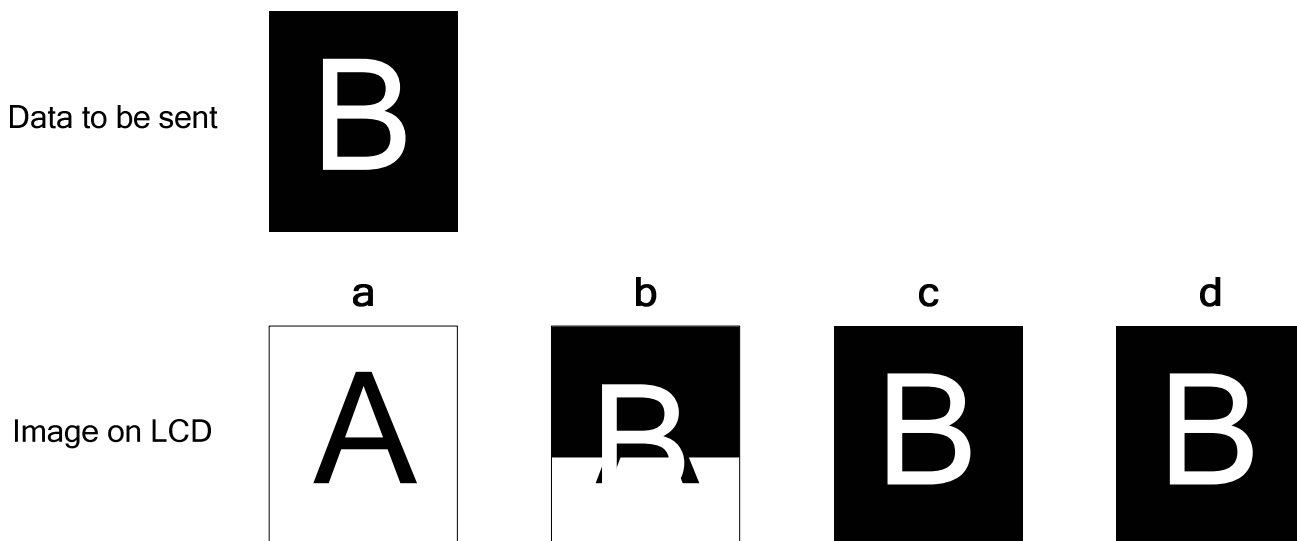


The Tearing Effect Output Line is fed back to the MPU and should be used as shown below to avoid Tearing Effect:

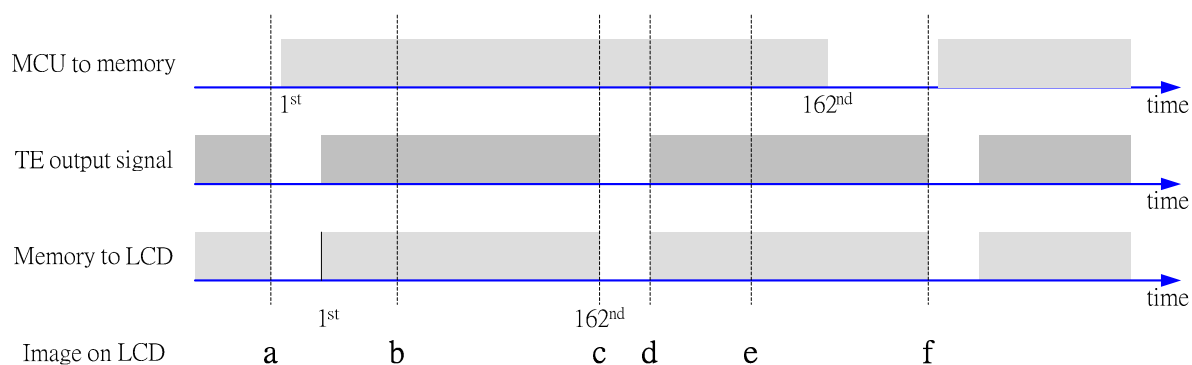
9.12.3 Example 1: MPU Write is faster than panel read



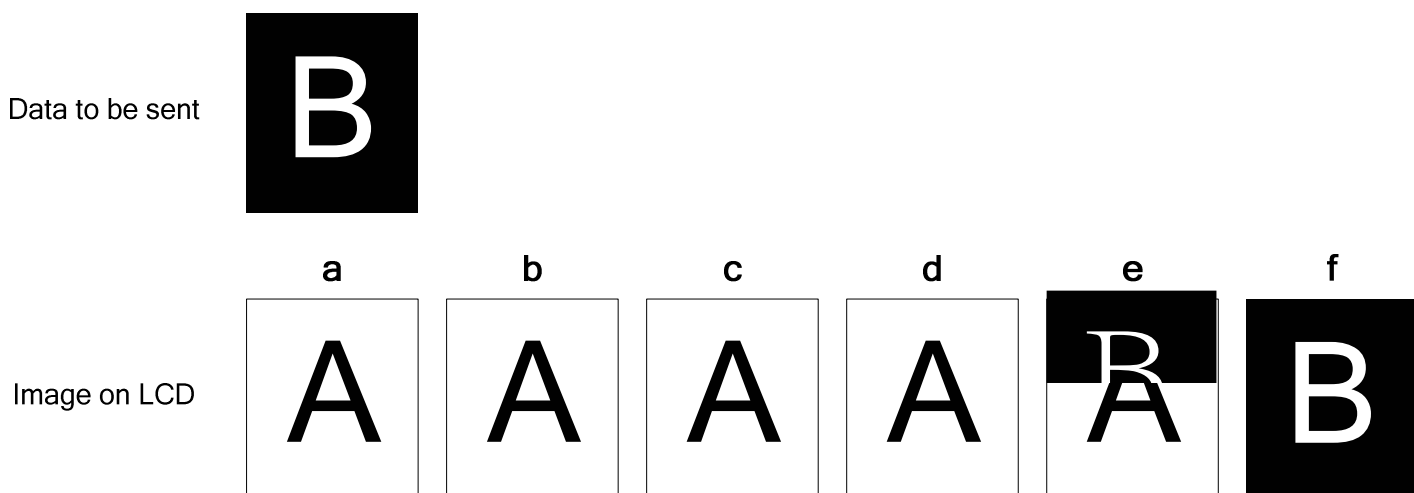
Data write to Frame Memory is now synchronized to the Panel Scan. It should be written during the vertical sync pulse of the Tearing Effect Output Line. This ensures that data is always written ahead of the panel scan and each Panel Frame refresh has a complete new image:



9.12.4 Example 2: MPU write is slower than panel read



The MPU to Frame Memory write begins just after Panel Read has commenced i.e. after one horizontal sync pulse of the Tearing Effect Output Line. This allows time for the image to download behind the Panel Read pointer and finishing download during the subsequent Frame before the Read Pointer “catches” the MPU to Frame memory write position.



9.13 Power ON/OFF Sequence

VDD must be powered on before the VDDI.

VDDI must be powered off before the VDD.

During power off, if LCD is in the Sleep Out mode, VDD and VDDI must be powered down minimum 120msec after RESX has been released.

During power off, if LCD is in the Sleep In mode, VDDI or VDD can be powered down minimum 0msec after RESX has been released.

CSX can be applied at any timing or can be permanently grounded. RESX has priority over CSX.

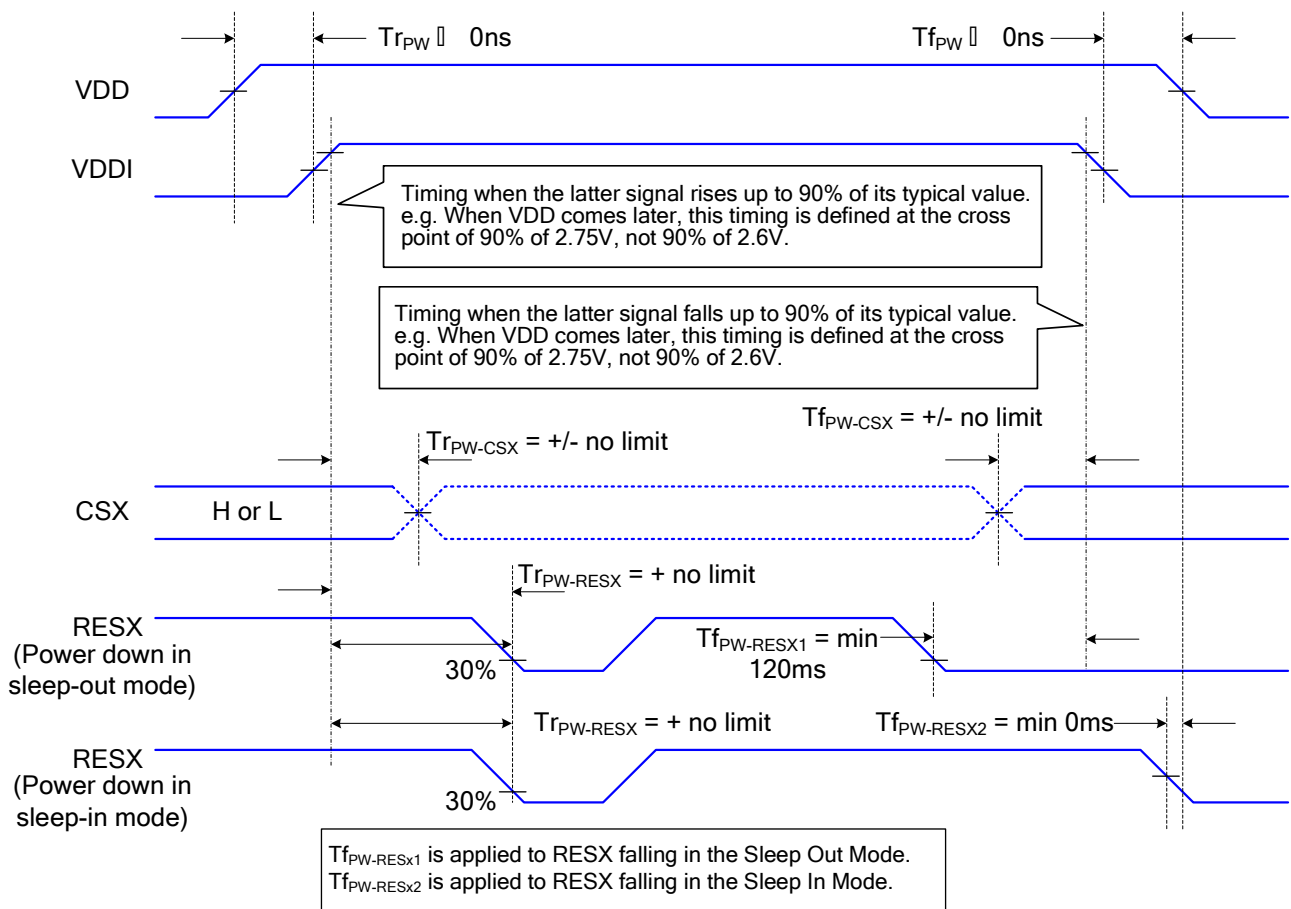
Note 1: There will be no damage to the display module if the power sequences are not met.

Note 2: There will be no abnormal visible effects on the display panel during the Power On/Off Sequences.

Note 3: There will be no abnormal visible effects on the display between end of Power On Sequence and before receiving Sleep Out command. Also between receiving Sleep In command and Power Off Sequence.

Note 4: If RESX line is not held stable by host during Power On Sequence as defined in the sequence below, then it will be necessary to apply a Hardware Reset (RESX) after Host Power On Sequence is complete to ensure correct operation. Otherwise function is not guaranteed.

The power on/off sequence is illustrated below



9.13.1 Uncontrolled Power Off

The uncontrolled power-off means a situation which removed a battery without the controlled power off sequence. It will neither damage the module or the host interface.

If uncontrolled power-off happened, the display will go blank and there will not any visible effect on the display (blank display) and remains blank until "Power On Sequence" powers it up.

9.14 Power Level Definition

9.14.1 Power Level

6 level modes are defined they are in order of Maximum Power consumption to Minimum Power Consumption

1. Normal Mode On (full display), Idle Mode Off, Sleep Out.

In this mode, the display is able to show maximum 262,144 colors.

2. Partial Mode On, Idle Mode Off, Sleep Out.

In this mode part of the display is used with maximum 262,144 colors.

3. Normal Mode On (full display), Idle Mode On, Sleep Out.

In this mode, the full display area is used but with 8 colors.

4. Partial Mode On, Idle Mode On, Sleep Out.

In this mode, part of the display is used but with 8 colors.

5. Sleep In Mode

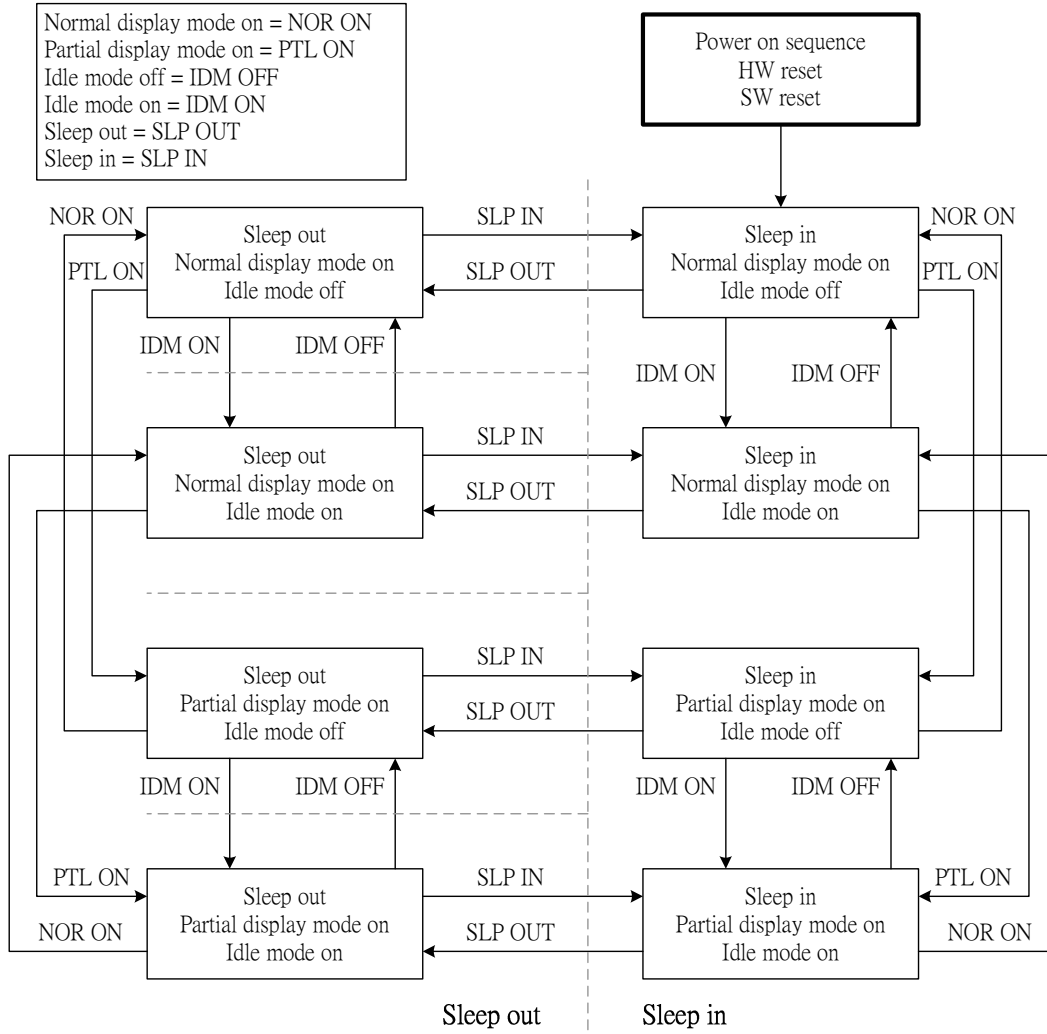
In this mode, the DC: DC converter, internal oscillator and panel driver circuit are stopped. Only the MCU interface and memory works with VDDI power supply. Contents of the memory are safe.

6. Power Off Mode

In this mode, both VDD and VDDI are removed.

Note: Transition between modes 1-5 is controllable by MCU commands. Mode 6 is entered only when both Power supplies are removed.

9.14.2 Power Flow Chart



9.15 Reset Table

9.15.1 Reset Table (Default Value, GM[1:0]="11", 128RGB x 160)

Item	After Power On	After H/W Reset	After S/W Reset
Frame memory	Random	No Change	No Change
Sleep In/Out	In	In	In
Display On/Off	Off	Off	Off
Display mode (normal/partial)	Normal	Normal	Normal
Display Inversion On/Off	Off	Off	Off
Display Idle Mode On/Off	Off	Off	Off
Column: Start Address (XS)	0000h	0000h	0000h
Column: End Address (XE)	007Fh	007Fh	007Fh (127d) (when MV=0) 009Fh (159d) (when MV=1)
Row: Start Address (YS)	0000h	0000h	0000h
Row: End Address (YE)	009Fh	009Fh	009Fh (159d) (when MV=0) 007Fh (127d) (when MV=1)
Gamma setting	GC0	GC0	GC0
RGB for 4k and 65k Color Mode	Random values	Random values	No Change
Partial: Start Address (PSL)	0000h	0000h	0000h
Partial: End Address (PEL)	009Fh	009Fh	009Fh
Tearing: On/Off	Off	Off	Off
Tearing Effect Mode (*1)	0 (Mode1)	0 (Mode1)	0 (Mode1)
Memory Data Access Control (MY/MX/MV/ML/RGB)	0/0/0/0/0	0/0/0/0/0	No Change
Interface Pixel Color Format	6 (18-Bit/Pixel)	6 (18-Bit/Pixel)	No Change
RDDPM	08h	08h	08h
RDDMADCTL	00h	00h	No Change
RDDCOLMOD	6 (18-Bit/Pixel)	6 (18-Bit/Pixel)	No Change
RDDIM	00h	00h	00h
RDDSM	00h	00h	00h
ID2	NV value	NV value	NV value
ID3	NV value	NV value	NV value

Note: TE Mode 1 means Tearing Effect Output Line consists of V-Blanking Information only

9.15.2 Reset Table (GM[1:0]= "00", 132RGB x 162)

Item	After Power On	After H/W Reset	After S/W Reset
Frame memory	Random	No Change	No Change
Sleep In/Out	In	In	In
Display On/Off	Off	Off	Off
Display mode (normal/partial)	Normal	Normal	Normal
Display Inversion On/Off	Off	Off	Off
Display Idle Mode On/Off	Off	Off	Off
Column: Start Address (XS)	0000h	0000h	0000h
Column: End Address (XE)	0083h	0083h	0083h (131d) (when MV=0) 00A1h (161d) (when MV=1)
Row: Start Address (YS)	0000h	0000h	0000h
Row: End Address (YE)	00A1h	00A1h	00A1h (161d) (when MV=0) 0083h (131d) (when MV=1)
Gamma setting	GC0	GC0	GC0
RGB for 4k and 65k Color Mode	Random values	Random values	No Change
Partial: Start Address (PSL)	0000h	0000h	0000h
Partial: End Address (PEL)	00A1h	00A1h	00A1h
Tearing: On/Off	Off	Off	Off
Tearing Effect Mode (*1)	0 (Mode1)	0 (Mode1)	0 (Mode1)
Memory Data Access Control (MY/MX/MV/ML/RGB)	0/0/0/0	0/0/0/0	No Change
Interface Pixel Color Format	6 (18-Bit/Pixel)	6 (18-Bit/Pixel)	No Change
RDDPM	08h	08h	08h
RDDMADCTL	00h	00h	No Change
RDDCOLMOD	6 (18-Bit/Pixel)	6 (18-Bit/Pixel)	No Change
RDDIM	00h	00h	00h
RDDSM	00h	00h	00h
ID2	NV value	NV value	NV value
ID3	NV value	NV value	NV value

Note: TE Mode 1 means Tearing Effect Output Line consists of V-Blanking Information only

ST7735R

9.16 Module Input/Output Pins

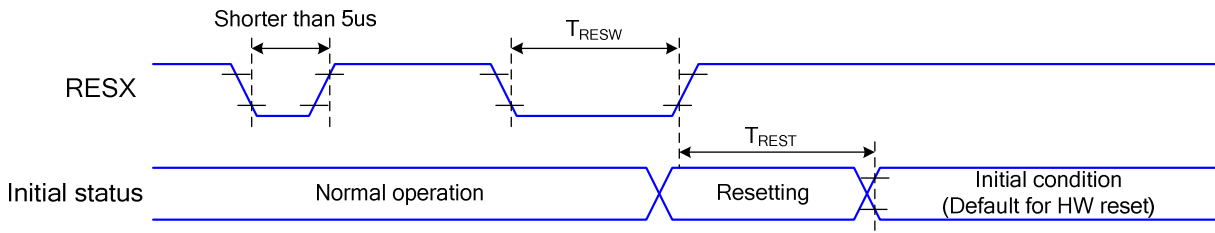
9.16.1 Output or Bi-directional (I/O) Pins

Output or Bi-directional pins	After Power On	After Hardware Reset	After Software Reset
TE	Low	Low	Low
D7 to D0 (Output driver)	High-Z (Inactive)	High-Z (Inactive)	High-Z (Inactive)

Input pins	During Power On Process	After Power On	After Hardware Reset	After Software Reset	During Power Off Process
RESX	See 9.14	Input valid	Input valid	Input valid	See 9.14
CSX	Input invalid	Input valid	Input valid	Input valid	Input invalid
D/CX	Input invalid	Input valid	Input valid	Input valid	Input invalid
WRX	Input invalid	Input valid	Input valid	Input valid	Input invalid
RDX	Input invalid	Input valid	Input valid	Input valid	Input invalid
D7 to D0	Input invalid	Input valid	Input valid	Input valid	Input invalid

Note: There will be no output from D7-D0 during Power On/Off sequence, Hardware Reset and Software Reset.

9.17 Reset Timing



Related Pins	Symbol	Parameter	MIN	MAX	Unit
RESX	tRESW	Reset pulse duration	10	-	us
	tREST	Reset cancel	-	5	ms
			-	120	ms

Table 9.17.1 Reset timing

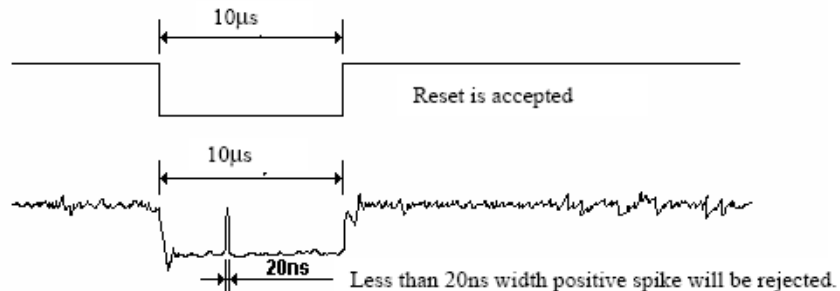
Notes:

1. The reset cancel includes also required time for loading ID bytes, VCOM setting and other settings from NVM (or similar device) to registers. This loading is done every time when there is HW reset cancel time (t_{RT}) within 5 ms after a rising edge of RESX.
2. Spike due to an electrostatic discharge on RESX line does not cause irregular system reset according to the table below:

RESX Pulse	Action
Shorter than 5us	Reset Rejected
Longer than 9us	Reset
Between 5us and 9us	Reset starts

3. During the Resetting period, the display will be blanked (The display is entering blanking sequence, which maximum time is 120 ms, when Reset Starts in Sleep Out –mode. The display remains the blank state in Sleep In -mode.) and then return to Default condition for Hardware Reset.

4. Spike Rejection also applies during a valid reset pulse as shown below:



5. When Reset applied during Sleep In Mode.
6. When Reset applied during Sleep Out Mode.
7. It is necessary to wait 5msec after releasing RESX before sending commands. Also Sleep Out command cannot be sent for 120msec.

9.18 Color Depth Conversion Look Up Tables

9.18.1 65536 Color to 262,144 Color

Color	Look Up Table Output Frame Memory Data (6-bits)	RGBSET Parameter	Look Up Table Input Data 65k Color (5-bits)
RED	R005 R004 R003 R002 R001 R000	1	00000
	R015 R014 R013 R012 R011 R010	2	00001
	R025 R024 R023 R022 R021 R020	3	00010
	R035 R034 R033 R032 R031 R030	4	00011
	R045 R044 R043 R042 R041 R040	5	00100
	R055 R054 R053 R052 R051 R050	6	00101
	R065 R064 R063 R062 R061 R060	7	00110
	R075 R074 R073 R072 R071 R070	8	00111
	R085 R084 R083 R082 R081 R080	9	01000
	R095 R094 R093 R092 R091 R090	10	01001
	R105 R104 R103 R102 R101 R100	11	01010
	R115 R114 R113 R112 R111 R110	12	01011
	R125 R124 R123 R122 R121 R120	13	01100
	R135 R134 R133 R132 R131 R130	14	01101
	R145 R144 R143 R142 R141 R140	15	01110
	R155 R154 R153 R152 R151 R150	16	01111
	R165 R164 R163 R162 R161 R160	17	10000
	R175 R174 R173 R172 R171 R170	18	10001
	R185 R184 R183 R182 R181 R180	19	10010
	R195 R194 R193 R192 R191 R190	20	10011
	R205 R204 R203 R202 R201 R200	21	10100
	R215 R214 R213 R212 R211 R210	22	10101
	R225 R224 R223 R222 R221 R220	23	10110
	R235 R234 R233 R232 R231 R230	24	10111
	R245 R244 R243 R242 R241 R240	25	11000
	R255 R254 R253 R252 R251 R250	26	11001
	R265 R264 R263 R262 R261 R260	27	11010
	R275 R274 R273 R272 R271 R270	28	11011
	R285 R284 R283 R282 R281 R280	29	11100
	R295 R294 R293 R292 R291 R290	30	11101
	R305 R304 R303 R302 R301 R300	31	11110
	R315 R314 R313 R312 R311 R310	32	11111

Color	Look Up Table Output Frame Memory Data (6-bits)	RGBSET Parameter	Look Up Table Input Data 65k Color (5-bits)
GREEN	G005 G004 G003 G002 G001 G000	33	000000
	G015 G014 G013 G012 G011 G010	34	000001
	G025 G024 G023 G022 G021 G020	35	000010
	G035 G034 G033 G032 G031 G030	36	000011
	G045 G044 G043 G042 G041 G040	37	000100
	G055 G054 G053 G052 G051 G050	38	000101
	G065 G064 G063 G062 G061 G060	39	000110
	G075 G074 G073 G072 G071 G070	40	000111
	G085 G084 G083 G082 G081 G080	41	001000
	G095 G094 G093 G092 G091 G090	42	001001
	G105 G104 G103 G102 G101 G100	43	001010
	G115 G114 G113 G112 G111 G110	44	001011
	G125 G124 G123 G122 G121 G120	45	001100
	G135 G134 G133 G132 G131 G130	46	001101
	G145 G144 G143 G142 G141 G140	47	001110
	G155 G154 G153 G152 G151 G150	48	001111
	G165 G164 G163 G162 G161 G160	49	010000
	G175 G174 G173 G172 G171 G170	50	010001
	G185 G184 G183 G182 G181 G180	51	010010
	G195 G194 G193 G192 G191 G190	52	010011
	G205 G204 G203 G202 G201 G200	53	010100

ST7735R

G215 G214 G213 G212 G211 G210	54	010101
G225 G224 G223 G222 G221 G220	55	010110
G235 G234 G233 G232 G231 G230	56	010111
G245 G244 G243 G242 G241 G240	57	011000
G255 G254 G253 G252 G251 G250	58	011001
G265 G264 G263 G262 G261 G260	59	011010
G275 G 274 G273 G272 G271 G270	60	011011
G285 G 284 G283 G282 G281 G280	61	011100
G295 G 294 G293 G292 G291 G290	62	011101
G305 G 304 G303 G302 G301 G300	63	011110
G315 G 314 G313 G312 G311 G310	64	011111
G325 G324 G323 G322 G321 G320	65	100000
G335 G334 G333 G332 G331 G330	66	100001
G345 G344 G343 G342 G341 G340	67	100010
G355 G354 G353 G352 G351 G350	68	100011
G365 G364 G363 G362 G361 G360	69	100100
G375 G374 G373 G372 G371 G370	70	100101
G385 G384 G383 G382 G381 G380	71	100110
G395 G394 G393 G392 G391 G390	72	100111
G405 G404 G403 G402 G401 G400	73	101000
G415 G414 G413 G412 G411 G410	74	101001
G425 G424 G423 G422 G421 G420	75	101010
G435 G434 G433 G432 G431 G430	76	101011
G445 G444 G443 G442 G441 G440	77	101100
G455 G454 G453 G452 G451 G450	78	101101
G465 G464 G463 G462 G461 G460	79	101110
G475 G474 G473 G472 G471 G470	80	101111
G485 G484 G483 G482 G481 G480	81	110000
G495 G494 G493 G492 G491 G490	82	110001
G505 G504 G503 G502 G501 G500	83	110010
G515 G514 G513 G512 G511 G510	84	110011
G525 G524 G523 G522 G521 G520	85	110100
G535 G534 G533 G532 G531 G530	86	110101
G545 G544 G543 G542 G541 G540	87	110110
G555 G554 G553 G552 G551 G550	88	110111
G565 G564 G563 G562 G561 G560	89	111000
G575 G574 G573 G572 G571 G570	90	111001
G585 G584 G583 G582 G581 G580	91	111010
G595 G594 G593 G592 G591 G590	92	111011
G605 G604 G603 G602 G601 G600	93	111100
G615 G614 G613 G612 G611 G610	94	111101
G625 G624 G623 G622 G621 G620	95	111110
G635 G634 G633 G632 G631 G630	96	111111

Color	Look Up Table Output Frame Memory Data (6-bits)	RGBSET Parameter	Look Up Table Input Data 65k Color (5-bits)
BLUE	B005 B004 B003 B002 B001 B000	97	00000
	B015 B014 B013 B012 B011 B010	98	00001
	B025 B024 B023 B022 B021 B020	99	00010
	B035 B034 B033 B032 B031 B030	100	00011
	B045 B044 B043 B042 B041 B040	101	00100
	B055 B054 B053 B052 B051 B050	102	00101
	B065 B064 B063 B062 B061 B060	103	00110
	B075 B074 B073 B072 B071 B070	104	00111
	B085 B084 B083 B082 B081 B080	105	01000
	B095 B094 B093 B092 B091 B090	106	01001
	B105 B104 B103 B102 B101 B100	107	01010
	B115 B114 B113 B112 B111 B110	108	01011
	B125 B124 B123 B122 B121 B120	109	01100
	B135 B134 B133 B132 B131 B130	110	01101
	B145 B144 B143 B142 B141 B140	111	01110
	B155 B154 B153 B152 B151 B150	112	01111
	B165 B164 B163 B162 B161 B160	113	10000

ST7735R

B175 B174 B173 B172 B171 B170	114	10001
B185 B184 B183 B182 B181 B180	115	10010
B195 B194 B193 B192 B191 B190	116	10011
B205 B204 B203 B202 B201 B200	117	10100
B215 B214 B213 B212 B211 B210	118	10101
B225 B224 B223 B222 B221 B220	119	10110
B235 B234 B233 B232 B231 B230	120	10111
B245 B244 B243 B242 B241 B240	121	11000
B255 B254 B253 B252 B251 B250	122	11001
B265 B264 B263 B262 B261 B260	123	11010
B275 B274 B273 B272 B271 B270	124	11011
B285 B284 B283 B282 B281 B280	125	11100
B295 B294 B293 B292 B291 B290	126	11101
B305 B304 B303 B302 B301 B300	127	11110
B315 B314 B313 B312 B311 B310	128	11111

ST7735R

9.18.2 4096 Color to 262,144 Color

Color	Look Up Table Output Frame Memory Data (6-bits)	RGBSET Parameter	Look Up Table Input Data
			4k Color (4-bits)
RED	R005 R004 R003 R002 R001 R000	1	0000
	R015 R014 R013 R012 R011 R010	2	0001
	R025 R024 R023 R022 R021 R020	3	0010
	R035 R034 R033 R032 R031 R030	4	0011
	R045 R044 R043 R042 R041 R040	5	0100
	R055 R054 R053 R052 R051 R050	6	0101
	R065 R064 R063 R062 R061 R060	7	0110
	R075 R074 R073 R072 R071 R070	8	0111
	R085 R084 R083 R082 R081 R080	9	1000
	R095 R094 R093 R092 R091 R090	10	1001
	R105 R104 R103 R102 R101 R100	11	1010
	R115 R114 R113 R112 R111 R110	12	1011
	R125 R124 R123 R122 R121 R120	13	1100
	R135 R134 R133 R132 R131 R130	14	1101
	R145 R144 R143 R142 R141 R140	15	1110
	R155 R154 R153 R152 R151 R150	16	1111
	R165 R164 R163 R162 R161 R160	17	Not used
	R315 R314 R313 R312 R311 R310	32	
GREEN	G005 G004 G003 G002 G001 G000	33	0000
	G015 G014 G013 G012 G011 G010	34	0001
	G025 G024 G023 G022 G021 G020	35	0010
	G035 G034 G033 G032 G031 G030	36	0011
	G045 G044 G043 G042 G041 G040	37	0100
	G055 G054 G053 G052 G051 G050	38	0101
	G065 G064 G063 G062 G061 G060	39	0110
	G075 G074 G073 G072 G071 G070	40	0111
	G085 G084 G083 G082 G081 G080	41	1000
	G095 G094 G093 G092 G091 G090	42	1001
	G105 G104 G103 G102 G101 G100	43	1010
	G115 G114 G113 G112 G111 G110	44	1011
	G125 G124 G123 G122 G121 G120	45	1100
	G135 G134 G133 G132 G131 G130	46	1101
	G145 G144 G143 G142 G141 G140	47	1110
	G155 G154 G153 G152 G151 G150	48	1111
	G165 G164 G163 G162 G161 G160	49	Not used
	G635 G634 G633 G632 G631 G630	96	
BLUE	B005 B004 B003 B002 B001 B000	97	0000
	B015 B014 B013 B012 B011 B010	98	0001
	B025 B024 B023 B022 B021 B020	99	0010
	B035 B034 B033 B032 B031 B030	100	0011
	B045 B044 B043 B042 B041 B040	101	0100
	B055 B054 B053 B052 B051 B050	102	0101
	B065 B064 B063 B062 B061 B060	103	0110
	B075 B074 B073 B072 B071 B070	104	0111
	B085 B084 B083 B082 B081 B080	105	1000
	B095 B094 B093 B092 B091 B090	106	1001
	B105 B104 B103 B102 B101 B100	107	1010
	B115 B114 B113 B112 B111 B110	108	1011
	B125 B124 B123 B122 B121 B120	109	1100
	B135 B134 B133 B132 B131 B130	110	1101
	B145 B144 B143 B142 B141 B140	111	1110
	B155 B154 B153 B152 B151 B150	112	1111
	B165 B164 B163 B162 B161 B160	113	Not used
	B315 B314 B313 B312 B311 B310	128	

ST7735R

10 Command

10.1 System function Command List and Description

Table 10.1.1 System Function command List (1)

Instruction	Refer	D/CX	WRX	RDX	D17-8	D7	D6	D5	D4	D3	D2	D1	D0	Hex	Function
NOP	10.1.1	0	↑	1	-	0	0	0	0	0	0	0	0	(00h)	No Operation
SWRESET	10.1.2	0	↑	1	-	0	0	0	0	0	0	0	1	(01h)	Software reset
RDDID	10.1.3	0	↑	1	-	0	0	0	0	0	1	0	0	(04h)	Read Display ID
		1	1	↑	-	-	-	-	-	-	-	-	-	-	Dummy read
		1	1	↑	-	ID17	ID16	ID15	ID14	ID13	ID12	ID11	ID10	-	ID1 read
		1	1	↑	-	1	ID26	ID25	ID24	ID23	ID22	ID21	ID20	-	ID2 read
		1	1	↑	-	ID37	ID36	ID35	ID34	ID33	ID32	ID31	ID30	-	ID3 read
RDDST	10.1.4	0	↑	1	-	0	0	0	0	1	0	0	1	(09h)	Read Display Status
		1	1	↑	-	-	-	-	-	-	-	-	-	-	Dummy read
		1	1	↑	-	BSTON	MY	MX	MV	ML	RGB	MH	ST24	-	-
		1	1	↑	-	ST23	IFPF2	IFPF1	IFPF0	IDMON	PTLON	SLOUT	NORON	-	-
		1	1	↑	-	VSSON	ST14	INVON	ST12	ST11	DISON	TEON	GCS2	-	-
1	1	↑	-	GCS1	GCS0	TEM	ST4	ST3	ST2	ST1	ST0	-	-		
RDDPM	10.1.5	0	↑	1	-	0	0	0	0	1	0	1	0	(0Ah)	Read Display Power
		1	1	↑	-	-	-	-	-	-	-	-	-	-	Dummy read
		1	1	↑	-	BSTON	IDMON	PTLON	SLPOUT	NORON	DISON	-	-	-	-
RDD MADCTL	10.1.6	0	↑	1	-	0	0	0	0	1	0	1	1	(0Bh)	Read Display
		1	1	↑	-	-	-	-	-	-	-	-	-	-	Dummy read
		1	1	↑	-	MY	MX	MV	ML	RGB	MH	-	-	-	-
RDD COLMOD	10.1.7	0	↑	1	-	0	0	0	0	1	1	0	0	(0Ch)	Read Display Pixel
		1	1	↑	-	-	-	-	-	-	-	-	-	-	Dummy read
		1	1	↑	-	0	0	0	0	-	IFPF2	IFPF1	IFPF0	-	-
RDDIM	10.1.8	0	↑	1	-	0	0	0	0	1	1	0	1	(0Dh)	Read Display Image
		1	1	↑	-	-	-	-	-	-	-	-	-	-	Dummy read
		1	1	↑	-	VSSON	D6	INVON	-	-	GCS2	GCS1	GCS0	-	-
RDDSM	10.1.9	0	↑	1	-	0	0	0	0	1	1	1	0	(0Eh)	Read Display Signal
		1	1	↑	-	-	-	-	-	-	-	-	-	-	Dummy read
		1	1	↑	-	TEON	TEM	-	-	-	-	-	-	-	-

“-“: Don't care

Table 10.1.2 System Function command List (2)

Instructio	Refer	D/C	WR	RDX	D17-	D7	D6	D5	D4	D3	D2	D1	D0	Hex	Function
SLPIN	10.1.10	0	↑	1	-	0	0	0	1	0	0	0	0	(10h)	Sleep in & booster off
SLPOUT	10.1.11	0	↑	1	-	0	0	0	1	0	0	0	1	(11h)	Sleep out & booster on
PTLON	10.1.12	0	↑	1	-	0	0	0	1	0	0	1	0	(12h)	Partial mode on
NORON	10.1.13	0	↑	1	-	0	0	0	1	0	0	1	1	(13h)	Partial off (Normal)
INVOFF	10.1.14	0	↑	1	-	0	0	1	0	0	0	0	0	(20h)	Display inversion off
INVON	10.1.15	0	↑	1	-	0	0	1	0	0	0	0	1	(21h)	Display inversion on
GAMSET	10.1.16	0	↑	1	-	0	0	1	0	0	1	1	0	(26h)	Gamma curve select
		1	↑	1	-	-	-	-	-	GC3	GC2	GC1	GC0		-
DISPOFF	10.1.17	0	↑	1	-	0	0	1	0	1	0	0	0	(28h)	Display off
DISPON	10.1.18	0	↑	1	-	0	0	1	0	1	0	0	1	(29h)	Display on
CASET	10.1.19	0	↑	1	-	0	0	1	0	1	0	1	0	(2Ah)	Column address set
		1	↑	1	-	XS15	XS14	XS13	XS12	XS11	XS10	XS9	XS8		X address start: $0 \leq XS \leq X$
		1	↑	1	-	XS7	XS6	XS5	XS4	XS3	XS2	XS1	XS0		
		1	↑	1	-	XE15	XE14	XE13	XE12	XE11	XE10	XE9	XE8		X address end: $S \leq XE \leq X$
		1	↑	1	-	XE7	XE6	XE5	XE4	XE3	XE2	XE1	XE0		
RASET	10.1.20	0	↑	1	-	0	0	1	0	1	0	1	1	(2Bh)	Row address set
		1	↑	1	-	YS15	YS14	YS13	YS12	YS11	YS10	YS9	YS8		Y address start: $0 \leq YS \leq Y$
		1	↑	1	-	YS7	YS6	YS5	YS4	YS3	YS2	YS1	YS0		
		1	↑	1	-	YE15	YE14	YE13	YE12	YE11	YE10	YE9	YE8		Y address end: $S \leq YE \leq Y$
		1	↑	1	-	YE7	YE6	YE5	YE4	YE3	YE2	YE1	YE0		
RAMWR	10.1.21	0	↑	1	-	0	0	1	0	1	1	0	0	(2Ch)	Memory write
		1	↑	1	-	D7	D6	D5	D4	D3	D2	D1	D0		Write data
RGBSET	10.1.22	0	↑	1	-	0	0	1	0	1	1	0	1	(2Dh)	LUT for 4k,65k,262k color
		1	↑	1	-	-	-	R005	R004	R003	R002	R001	R000		Red tone 0
		1	↑	1	-	-	-	:	:	:	:	:	:		:
		1	↑	1	-	-	-	Ra5	Ra4	Ra3	Ra2	Ra1	Ra0		Red tone "a"
		1	↑	1	-	-	-	G005	G004	G003	G002	G001	G000		Green tone 0
		1	↑	1	-	-	-	:	:	:	:	:	:		:
		1	↑	1	-	-	-	Gb5	Gb4	Gb3	Gb2	Gb1	Gb0		Green tone "b"
		1	↑	1	-	-	-	B005	B004	B003	B002	B001	B000		Blue tone 0
		1	↑	1	-	-	-	:	:	:	:	:	:		:
		1	↑	1	-	-	-	Bc5	Bc4	Bc3	Bc2	Bc1	Bc0		Blue tone "c"
RAMRD	10.1.23	0	↑	1	-	0	0	1	0	1	1	1	0	(2Eh)	Memory read
		1	1	↑	-	-	-	-	-	-	-	-	-		Dummy read
		1	1	↑	-	D7	D6	D5	D4	D3	D2	D1	D0		Read data

"-": Don't care

Table 10.1.3 System Function command List (3)

Instruction	Refer	D/CX	WRX	RDX	D17-8	D7	D6	D5	D4	D3	D2	D1	D0	Hex	Function
PTLAR	10.1.24	0	↑	1	-	0	0	1	1	0	0	0	0	(30h)	Partial start/end address set
		1	↑	1	-	PSL15	PSL14	PSL13	PSL12	PSL11	PSL10	PSL9	PSL8		Partial start address (0,1,2, ..P)
		1	↑	1	-	PSL7	PSL6	PSL5	PSL4	PSL3	PSL2	PSL1	PSL0		
		1	↑	1	-	PEL15	PEL14	PEL13	PEL12	PEL11	PEL10	PEL9	PEL8		Partial end address (0,1,2, ..., P)
		1	↑	1	-	PEL7	PEL6	PEL5	PEL4	PEL3	PEL2	PEL1	PEL0		
TEOFF	10.1.25	0	↑	1	-	0	0	1	1	0	1	0	0	(34h)	Tearing effect line off
TEON	10.1.26	0	↑	1	-	0	0	1	1	0	1	0	1	(35h)	Tearing effect mode set & on
		1	↑	1	-	-	-	-	-	-	-	-	TEM		Mode1: TEM="0" Mode2: TEM="1"
MADCTL	10.1.27	0	↑	1	-	0	0	1	1	0	1	1	0	(36h)	Memory data access control
		1	↑	1	-	MY	MX	MV	ML	RGB	MH	-	-		-
IDMOFF	10.1.28	0	↑	1	-	0	0	1	1	1	0	0	0	(38h)	Idle mode off
IDMON	10.1.29	0	↑	1	-	0	0	1	1	1	0	0	1	(39h)	Idle mode on
COLMOD	10.1.30	0	↑	1	-	0	0	1	1	1	0	1	0	(3Ah)	Interface pixel format
		1	↑	1	-	-	-	-	-	-	IFPF2	IFPF1	IFPF0		Interface format
RDID1	10.1.31	0	↑	1	-	1	1	0	1	1	0	1	0	(DAh)	Read ID1
		1	1	↑	-	-	-	-	-	-	-	-	-		Dummy read
		1	1	↑	-	ID17	ID16	ID15	ID14	ID13	ID12	ID11	ID10		Read parameter
RDID2	10.1.32	0	↑	1	-	1	1	0	1	1	0	1	1	(DBh)	Read ID2
		1	1	↑	-	-	-	-	-	-	-	-	-		Dummy read
		1	1	↑	-	1	ID26	ID25	ID24	ID23	ID22	ID21	ID20		Read parameter
RDID3	10.1.33	0	↑	1	-	1	1	0	1	1	1	0	0	(DCh)	Read ID3
		1	1	↑	-	-	-	-	-	-	-	-	-		Dummy read
		1	1	↑	-	ID37	ID36	ID35	ID34	ID33	ID32	ID31	ID30		Read parameter

"-": Don't care

Note 1: After the H/W reset by RESX pin or S/W reset by SWRESET command, each internal register becomes default state (Refer "RESET TABLE" section)

Note 2: Undefined commands are treated as NOP (00 h) command.

Note 3: B0 to D9 and DA to F are for factory use of driver supplier.

Note 4: Commands 10h, 12h, 13h, 20h, 21h, 26h, 28h, 29h, 30h, 33h, 36h (ML parameter only), 37h, 38h and 39h are updated during V-sync when Module is in Sleep Out Mode to avoid abnormal visual effects. During Sleep In mode, these commands are updated immediately. Read status (09h), Read Display Power Mode (0Ah), Read Display MADCTL (0Bh), Read Display Pixel Format (0Ch), Read Display Image Mode (0Dh), Read Display Signal Mode (0Eh).

ST7735R

10.1.1 NOP (00h)

00H	NOP (No Operation)												
Inst / Para	D/CX	WRX	RDX	D17-8	D7	D6	D5	D4	D3	D2	D1	D0	HEX
NOP	0	↑	1	-	0	0	0	0	0	0	0	0	(00h)
Parameter	No Parameter												-
Description	This command is empty command.												

“-“ Don't care

10.1.2 SWRESET (01h): Software Reset

01H	SWRESET (Software Reset)												
Inst / Para	D/CX	WRX	RDX	D17-8	D7	D6	D5	D4	D3	D2	D1	D0	HEX
SWRESET	0	↑	1	-	0	0	0	0	0	0	0	1	(01h)
Parameter	No Parameter												-
Description	<p>“-“ Don't care</p> <p>-If Software Reset is applied during Sleep In mode, it will be necessary to wait 120msec before sending next command.</p> <p>-The display module loads all default values to the registers during 120msec.</p> <p>-If Software Reset is applied during Sleep Out or Display On Mode, it will be necessary to wait 120msec before sending next command.</p>												
Flow Chart	<pre> graph TD A[SWRESET] --> B[Display whole blank screen] B --> C[Set Commands to S/W Default Value] C --> D[Sleep In Mode] </pre> <p>Legend</p> <ul style="list-style-type: none"> Command Parameter Display Action Mode Sequential transfer 												

10.1.3 RDDID (04h): Read Display ID

04H		RDDID (Read Display ID)																														
Inst / Para	D/CX	WRX	RDX	D17-8	D7	D6	D5	D4	D3	D2	D1	D0	HEX																			
RDDID	0	↑	1	-	0	0	0	0	0	1	0	0	(04h)																			
1 st parameter	1	1	↑	-	-	-	-	-	-	-	-	-	-																			
2 nd parameter	1	1	↑	-	ID17	ID16	ID15	ID14	ID13	ID12	ID11	ID10																				
3 rd parameter	1	1	↑	-	1	ID26	ID25	ID24	ID23	ID22	ID21	ID20																				
4 th parameter	1	1	↑	-	ID37	ID36	ID35	ID34	ID33	ID32	ID31	ID30																				
Description	<p>-This read byte returns 24-bit display identification information.</p> <p>-The 1st parameter is dummy data</p> <p>-The 2nd parameter (ID17 to ID10): LCD module's manufacturer ID.</p> <p>-The 3rd parameter (ID26 to ID20): LCD module/driver version ID</p> <p>-The 4th parameter (ID37 to UD30): LCD module/driver ID.</p> <p>-Commands RDID1/2/3(DAh, DBh, DCh) read data correspond to the parameters 2,3,4 of the command 04h, respectively.</p> <p>“-“ Don't care</p>																															
Default	<table border="1"> <thead> <tr> <th rowspan="2">Status</th> <th colspan="3">Default Value</th> </tr> <tr> <th>ID1</th> <th>ID2</th> <th>ID3</th> </tr> </thead> <tbody> <tr> <td>Power On Sequence</td> <td>-</td> <td>NV Value</td> <td>NV Value</td> </tr> <tr> <td>S/W Reset</td> <td>-</td> <td>NV Value</td> <td>NV Value</td> </tr> <tr> <td>H/W Reset</td> <td>-</td> <td>NV Value</td> <td>NV Value</td> </tr> </tbody> </table>													Status	Default Value			ID1	ID2	ID3	Power On Sequence	-	NV Value	NV Value	S/W Reset	-	NV Value	NV Value	H/W Reset	-	NV Value	NV Value
Status	Default Value																															
	ID1	ID2	ID3																													
Power On Sequence	-	NV Value	NV Value																													
S/W Reset	-	NV Value	NV Value																													
H/W Reset	-	NV Value	NV Value																													
Flow Chart	<div style="display: flex; justify-content: space-around;"> <div style="text-align: center;"> <p>Serial I/F Mode</p> </div> <div style="text-align: center;"> <p>Parallel I/F Mode</p> </div> </div> <div style="margin-top: 20px;"> <p>Legend</p> <ul style="list-style-type: none"> Command Parameter Display Action Mode Sequential transfer </div>																															

10.1.4 RDDST (09h): Read Display Status

09H	RDDST (Read Display Status)												
Inst / Para	D/CX	WRX	RDX	D17-8	D7	D6	D5	D4	D3	D2	D1	D0	HEX
RDDST	0	↑	1	-	0	0	0	0	1	0	0	1	(09h)
1 st parameter	1	1	↑	-	-	-	-	-	-	-	-	-	-
2 nd parameter	1	1	↑	-	BSTON	MY	MX	MV	ML	RGB	MH	ST24	
3 rd parameter	1	1	↑	-	ST23	IFPF2	IFPF1	IFPF0	IDMON	PTLON	SLOUT	NORON	
4 th parameter	1	1	↑	-	ST15	ST14	INVON	ST12	ST11	DISON	TEON	GCS2	
5 th parameter	1	1	↑	-	GCS1	GCS0	TEM	ST4	ST3	ST2	ST1	ST0	
Description	This command indicates the current status of the display as described in the table below:												
	Bit	Description		Value									
	BSTON	Booster Voltage Status		'1' =Booster on, '0' =Booster off									
	MY	Row Address Order (MY)		'1' =Decrement, (Bottom to Top, when MADCTL (36h) D7='1') '0' =Increment, (Top to Bottom, when MADCTL (36h) D7='0')									
	MX	Column Address Order (MX)		'1' =Decrement, (Right to Left, when MADCTL (36h) D6='1') '0' =Increment, (Left to Right, when MADCTL (36h) D6='1')									
	MV	Row/Column Exchange (MV)		'1' = Row/column exchange, (when MADCTL (36h) D5='1') '0' = Normal, (when MADCTL (36h) D5='0')									
	ML	Scan Address Order (ML)		'0' =Decrement, (LCD refresh Top to Bottom, when MADCTL (36h) D4='0') '1' =Increment, (LCD refresh Bottom to Top, when MADCTL (36h) D4='1')									
	RGB	RGB/ BGR Order (RGB)		'1' =BGR, (When MADCTL (36h) D3='1') '0' =RGB, (When MADCTL (36h) D3='0')									
	MH	Horizontal Order		'0' =Decrement, (LCD refresh Left to Right, when MADCTL (36h) D2='0') '1' =Increment, (LCD refresh Right to Left, when MADCTL (36h) D2='1')									
	ST24	For Future Use		'0'									
	ST23	For Future Use		'0'									
	IFPF2	Interface Color Pixel Format Definition		"011" = 12-bit / pixel,									
	IFPF1			"101" = 16-bit / pixel,									
	IFPF0			"110" = 18-bit / pixel, others are no define									
	IDMON	Idle Mode On/Off		'1' = On, "0" = Off									
	PTLON	Partial Mode On/Off		'1' = On, "0" = Off									
	SLPOUT	Sleep In/Out		'1' = Out, "0" = In									
	NORON	Display Normal Mode On/Off		'1' = Normal Display, '0' = Partial Display									
	ST15	Vertical Scrolling Status (Not Used)		'1' = Scroll on, "0" = Scroll off									
	ST14	Horizontal Scroll Status (Not Used)		'0'									
INVON	Inversion Status		'1' = On, "0" = Off										
ST12	All Pixels On (Not Used)		'0'										
ST11	All Pixels Off (Not Used)		'0'										

ST7735R

	DISON	Display On/Off	'1' = On, "0" = Off			
	TEON	Tearing effect line on/off	'1' = On, "0" = Off			
	GCSEL2	Gamma Curve Selection	"000" = GC0			
	GCSEL1		"001" = GC1			
	GCSEL0		"010" = GC2			
			"011" = GC3			
			"100" to "111" = Not defined			
	TEM	Tearing effect line mode	'0' = mode1, '1' = mode2			
	ST4	For Future Use	'0'			
	ST3	For Future Use	'0'			
	ST2	For Future Use	'0'			
ST1	For Future Use	'0'				
ST0	For Future Use	'0'				
"- " Don't care						
Default	Status		Default Value (ST31 to ST0)			
			ST[31-24]	ST[23-16]	ST[15-8]	ST[7-0]
	Power On Sequence		0000-0000	0110-0001	0000-0000	0000-0000
	S/W Reset		0xxx0xx00	0xxx-0001	0000-0000	0000-0000
	H/W Reset		0000-0000	0110-0001	0000-0000	0000-0000
Flow Chart	<p style="text-align: center;">Serial I/F Mode</p>		<p style="text-align: center;">Parallel I/F Mode</p>		<p style="text-align: center;">Legend</p> <ul style="list-style-type: none"> Command Parameter Display Action Mode Sequential transfer 	

10.1.5 RDDPM (0Ah): Read Display Power Mode

0Ah	RDDPM (Read Display Power Mode)												HEX
Inst / Para	D/CX	WRX	RDX	D17-8	D7	D6	D5	D4	D3	D2	D1	D0	
RDDPM	0	↑	1	-	0	0	0	0	1	0	1	0	(0Ah)
1 st parameter	1	1	↑	-	-	-	-	-	-	-	-	-	-
2 nd parameter	1	1	↑		BSTON	IDMON	PTLON	SLPOUT	NORON	DISON	D1	D0	

This command indicates the current status of the display as described in the table below:

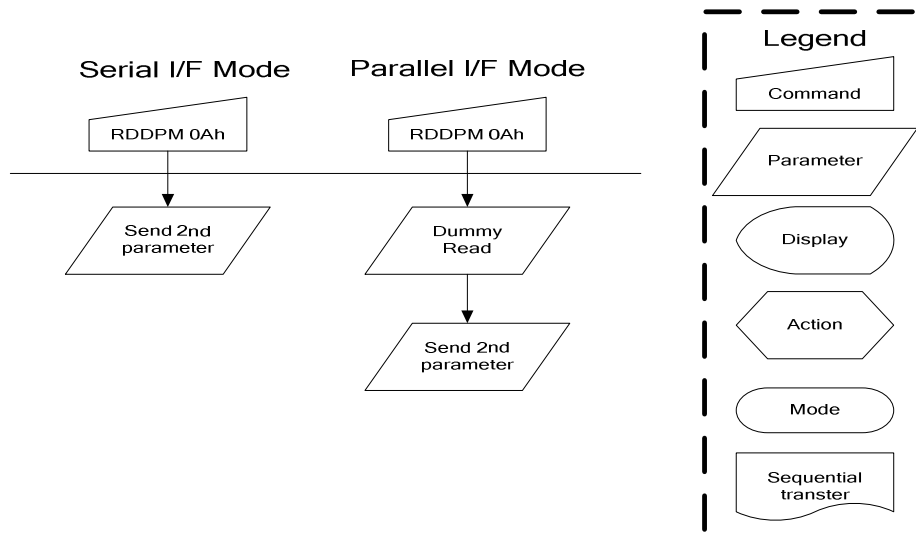
“-“ Don't care

Bit	Description	Value
BSTON	Booster Voltage Status	'1' =Booster on, '0' =Booster off
IDMON	Idle Mode On/Off	'1' = Idle Mode On, '0' = Idle Mode Off
PTLON	Partial Mode On/Off	'1' = Partial Mode On, '0' = Partial Mode Off
SLPON	Sleep In/Out	'1' = Sleep Out, '0' = Sleep In
NORON	Display Normal Mode On/Off	'1' = Normal Display, '0' = Partial Display
DISON	Display On/Off	'1' = Display On, '0' = Display Off
D1	Not Used	'0'
D0	Not Used	'0'

Default

Status	Default Value (D7 to D0)
Power On Sequence	0000_1000(08h)
S/W Reset	0000_1000(08h)
H/W Reset	0000_1000(08h)

Flow Chart



10.1.6 RDDMADCTL (0Bh): Read Display MADCTL

0Bh		RDDMADCTL (Read Display MADCTL)											
Inst / Para	D/CX	WRX	RDX	D17-8	D7	D6	D5	D4	D3	D2	D1	D0	HEX
RDDMADCTL	0	↑	1	-	0	0	0	0	1	0	1	1	(0Bh)
1 st parameter	1	1	↑	-	-	-	-	-	-	-	-	-	-
2 nd parameter	1	1	↑		MY	MX	MV	ML	RGB	MH	D1	D0	

Description	This command indicates the current status of the display as described in the table below:		
	“-“ Don't care		
	Bit	Description	Value
	MX	Column Address Order	'1' = Right to Left (When MADCTL B6='1') '0' = Left to Right (When MADCTL B6='0')
	MY	Row Address Order	'1' = Bottom to Top (When MADCTL B7='1') '0' = Top to Bottom (When MADCTL B7='0')
	MV	Row/Column Order (MV)	'1' = Row/column exchange (MV=1) '0' = Normal (MV=0)
	ML	Vertical Refresh Order	'1' =LCD Refresh Bottom to Top '0' =LCD Refresh Top to Bottom
	RGB	RGB/BGR Order	'1' =BGR, "0"=RGB
	MH	Horizontal Refresh Order	LCD horizontal refresh direction control '0' = LCD horizontal refresh Left to right '1' = LCD horizontal refresh right to left
	D1	Not Used	'0'
D0	Not Used	'0'	

Default	Status	Default Value (D7 to D0)
	Power On Sequence	0000_0000 (00h)
	S/W Reset	No change
	H/W Reset	0000_0000 (00h)

Flow Chart	<p>Serial I/F Mode</p>	<p>Parallel I/F Mode</p>	<p>Legend</p> <ul style="list-style-type: none"> Command (Trapezoid) Parameter (Parallelogram) Display (Oval) Action (Hexagon) Mode (Rounded Rectangle) Sequential transfer (Wavy Rectangle)
------------	-------------------------------	---------------------------------	---

10.1.7 RDDCOLMOD (0Ch): Read Display Pixel Format

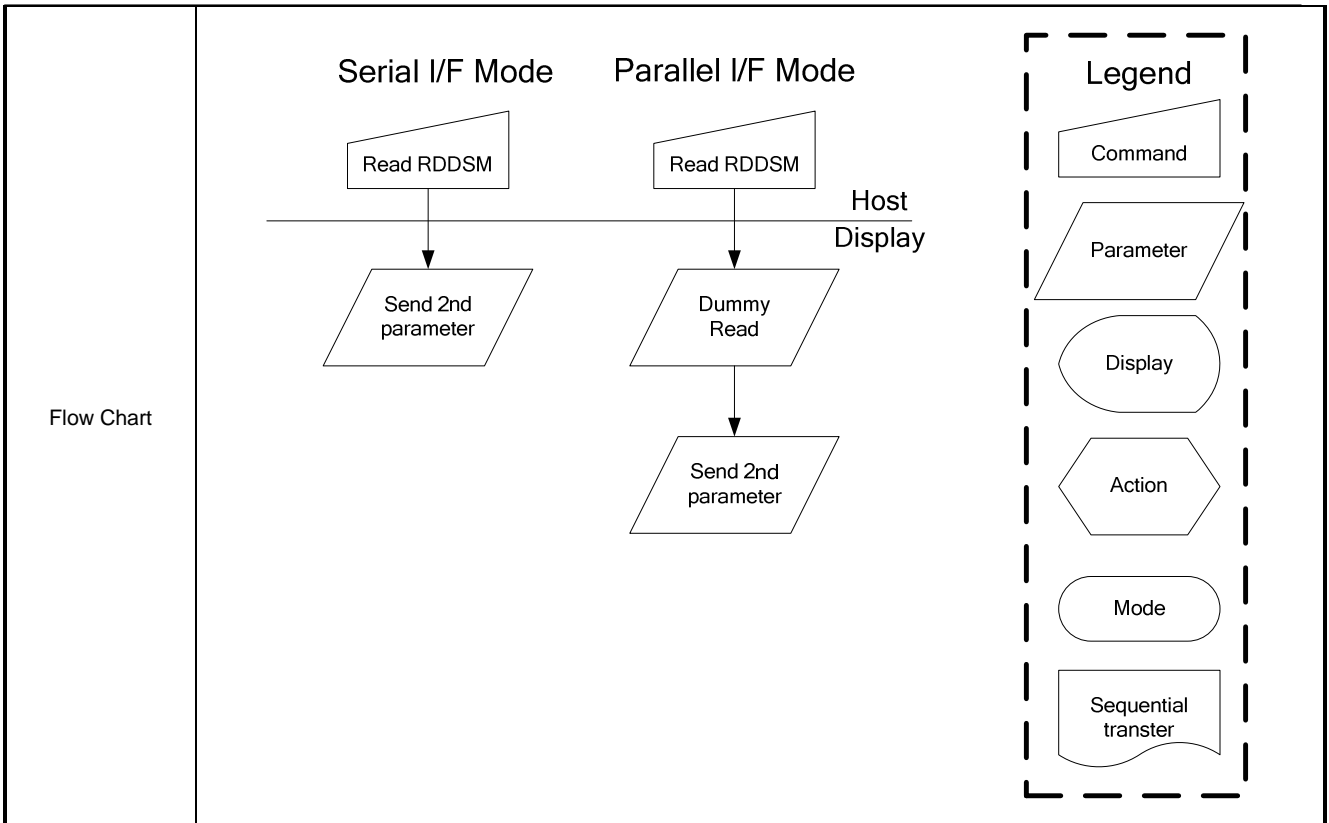
0Ch	RDDCOLMOD (Read Display Pixel Format)												
Inst / Para	D/CX	WRX	RDX	D17-8	D7	D6	D5	D4	D3	D2	D1	D0	HEX
RDDCOLMOD	0	↑	1	-	0	0	0	0	1	1	0	0	(0Ch)
1 st parameter	1	1	↑	-	-	-	-	-	-	-	-	-	-
2 nd parameter	1	1	↑	-	0	0	0	0	-	IFPF2	IFPF1	IFPF0	
Description	This command indicates the current status of the display as described in the table below:												
	IFPF[2:0]		MCU Interface Color Format										
	011		12-bit/pixel										
	101		16-bit/pixel										
	110		18-bit/pixel										
111		No used											
Others are no define and invalid													
“-“ Don't care													
Default	Status		Default Value										
			IFPF[2:0]										
	Power On Sequence		0110 (18 bits/pixel)										
	S/W Reset		No Change										
	H/W Reset		0110 (18 bits/pixel)										
Flow Chart	Serial I/F Mode		Parallel I/F Mode										
<div style="border: 1px dashed black; padding: 5px;"> <p style="text-align: center;">Legend</p> <ul style="list-style-type: none"> Command Parameter Display Action Mode Sequential transter </div>													

10.1.8 RDDIM (0Dh): Read Display Image Mode

0DH	RDDIM (0Dh): Read Display Image Mode																																
Inst / Para	D/CX	WRX	RDX	D17-8	D7	D6	D5	D4	D3	D2	D1	D0	HEX																				
RDDIM	0	↑	1	-	0	0	0	0	1	1	0	1	(0Dh)																				
1 st parameter	1	1	↑	-	-	-	-	-	-	-	-	-	-																				
2 nd parameter	1	1	↑	-	VSSON	D6	INVON	D4	D3	GCS2	GCS1	GCS0																					
Description	This command indicates the current status of the display as described in the table below: “-“ Don't care																																
	<table border="1"> <thead> <tr> <th>Bit</th> <th>Description</th> <th>Value</th> </tr> </thead> <tbody> <tr> <td>VSSON</td> <td>Reversed</td> <td>"0"</td> </tr> <tr> <td>D6</td> <td>Reversed</td> <td>"0"</td> </tr> <tr> <td>INVON</td> <td>Inversion On/Off</td> <td>"1" = Inversion is On, "0" = Inversion is Off</td> </tr> <tr> <td>D4</td> <td>All Pixels On</td> <td>"0" (Not used)</td> </tr> <tr> <td>D3</td> <td>All Pixels Off</td> <td>"0" (Not used)</td> </tr> <tr> <td>GCS2 GCS1 GCS0</td> <td>Gamma Curve Selection</td> <td>"000" = GC0, "001" = GC1, "010" = GC2, "011" = GC3, "100" to "111" = Not defined</td> </tr> </tbody> </table>													Bit	Description	Value	VSSON	Reversed	"0"	D6	Reversed	"0"	INVON	Inversion On/Off	"1" = Inversion is On, "0" = Inversion is Off	D4	All Pixels On	"0" (Not used)	D3	All Pixels Off	"0" (Not used)	GCS2 GCS1 GCS0	Gamma Curve Selection
Bit	Description	Value																															
VSSON	Reversed	"0"																															
D6	Reversed	"0"																															
INVON	Inversion On/Off	"1" = Inversion is On, "0" = Inversion is Off																															
D4	All Pixels On	"0" (Not used)																															
D3	All Pixels Off	"0" (Not used)																															
GCS2 GCS1 GCS0	Gamma Curve Selection	"000" = GC0, "001" = GC1, "010" = GC2, "011" = GC3, "100" to "111" = Not defined																															
Default	Status		Default Value(D7 to D0)																														
	Power On Sequence		0000_0000 (00h)																														
	S/W Reset		0000_0000 (00h)																														
	H/W Reset		0000_0000 (00h)																														
Flow Chart	Serial I/F Mode		Parallel I/F Mode																														
<div style="border: 1px dashed black; padding: 5px;"> <p>Legend</p> <ul style="list-style-type: none"> Command Parameter Display Action Mode Sequential transfer </div>																																	

10.1.9 RDDSM (0Eh): Read Display Signal Mode

0EH	RDDSM (0Eh): Read Display Signal Mode												
Inst / Para	D/CX	WRX	RDX	D17-8	D7	D6	D5	D4	D3	D2	D1	D0	HEX
RDDSM	0	↑	1	-	0	0	0	0	1	1	1	0	(0Eh)
1 st parameter	1	1	↑	-	-	-	-	-	-	-	-	-	-
2 nd parameter	1	1	↑	-	TEON	TEM	D5	D4	D3	D2	D1	D0	
Description	This command indicates the current status of the display as described in the table below: “-“ Don't care												
	Bit		Description							Value			
	TEON		Tearing Effect Line On/Off							“1” = On, “0” = Off			
	TEM		Tearing effect line mode							“1” = mode2, “0” = mode1			
	D5		Not Used							“1” = On, “0” = Off			
	D4		Not Used							“1” = On, “0” = Off			
	D3		Not Used							“1” = On, “0” = Off			
	D2		Not Used							“1” = On, “0” = Off			
	D1		Not Used							“1” = On, “0” = Off			
	D0		Not Used							“1” = On, “0” = Off			
Default	Status					Default Value(D7~D0)							
	Power On Sequence					0000_0000 (00h)							
	S/W Reset					0000_0000 (00h)							
	H/W Reset					0000_0000 (00h)							



10.1.10 SLPIN (10h): Sleep In

10H	SLPIN (Sleep In)												HEX								
Inst / Para	D/CX	WRX	RDX	D17-8	D7	D6	D5	D4	D3	D2	D1	D0	HEX								
SLPIN	0	↑	1	-	0	0	0	1	0	0	0	0	(10h)								
Parameter	No Parameter												-								
Description	<p>-This command causes the LCD module to enter the minimum power consumption mode.</p> <p>-In this mode the DC/DC converter is stopped, Internal display oscillator is stopped, and panel scanning is stopped.</p>																				
Restriction	<p>-This command has no effect when module is already in Sleep In mode. Sleep In Mode can only be exit by the Sleep Out Command (11h).</p> <p>-When IC is in Sleep Out or Display On mode, it is necessary to wait 120msec before sending next command because of the stabilization timing for the supply voltages and clock circuits.</p>																				
Default	<table border="1"> <thead> <tr> <th>Status</th> <th>Default Value</th> </tr> </thead> <tbody> <tr> <td>Power On Sequence</td> <td>Sleep in mode</td> </tr> <tr> <td>S/W Reset</td> <td>Sleep in mode</td> </tr> <tr> <td>H/W Reset</td> <td>Sleep in mode</td> </tr> </tbody> </table>												Status	Default Value	Power On Sequence	Sleep in mode	S/W Reset	Sleep in mode	H/W Reset	Sleep in mode	-
Status	Default Value																				
Power On Sequence	Sleep in mode																				
S/W Reset	Sleep in mode																				
H/W Reset	Sleep in mode																				
Flow Chart	<pre> graph TD SLPIN[/SLPIN/] --> Display[Display whole blank screen (Automatic No effect to DISP ON/OFF Commands)] Display --> Drain{{Drain Charge From LCD Panel}} Drain --> StopDCDC{{Stop DC-DC Converter}} Drain --> StopOscillator{{Stop Internal Oscillator}} StopDCDC --> SleepInMode([Sleep In Mode]) StopOscillator --> SleepInMode </pre>																				

10.1.11 SLPOUT (11h): Sleep Out

11H	SLPOUT (Sleep Out)												HEX								
Inst / Para	D/CX	WRX	RDX	D17-8	D7	D6	D5	D4	D3	D2	D1	D0	HEX								
SLPOUT	0	↑	1	-	0	0	0	1	0	0	0	1	(11h)								
Parameter	No Parameter												-								
Description	<p>-This command turns off sleep mode.</p> <p>-In this mode the DC/DC converter is enabled, Internal display oscillator is started, and panel scanning is started.</p>																				
Restriction	<p>-This command has no effect when module is already in sleep out mode. Sleep Out Mode can only be exit by the Sleep In Command (10h).</p> <p>-When IC is in Sleep In mode, it is necessary to wait 120msec before sending next command because of the stabilization timing for the supply voltages and clock circuits.</p> <p>-When IC is in Sleep Out or Display On mode, it is necessary to wait 120msec before sending next command due to the download of default value of registers and the execution of self-diagnostic function.</p>																				
Default	<table border="1"> <thead> <tr> <th>Status</th> <th>Default Value</th> </tr> </thead> <tbody> <tr> <td>Power On Sequence</td> <td>Sleep in mode</td> </tr> <tr> <td>S/W Reset</td> <td>Sleep in mode</td> </tr> <tr> <td>H/W Reset</td> <td>Sleep in mode</td> </tr> </tbody> </table>													Status	Default Value	Power On Sequence	Sleep in mode	S/W Reset	Sleep in mode	H/W Reset	Sleep in mode
Status	Default Value																				
Power On Sequence	Sleep in mode																				
S/W Reset	Sleep in mode																				
H/W Reset	Sleep in mode																				
Flow Chart	<pre> graph TD A[SLPOUT] --> B{{Start Internal Oscillator}} B --> C{{Start up DC:DC Converter}} C --> D{{Charge Offset voltage for LCD Panel}} D --> E((Display whole blank screen for 2 firames (Automatic No effect to DISP ON/OFF Commands))) E --> F((Display Memory contents In accordance with the current command table settings)) F --> G([Sleep Out mode]) </pre>																				

ST7735R

10.1.12 PTLON (12h): Partial Display Mode On

12H	PTLON (12h): Partial Display Mode On																				
Inst / Para	D/CX	WRX	RDX	D17-8	D7	D6	D5	D4	D3	D2	D1	D0	HEX								
PTLON	0	↑	1	-	0	0	0	1	0	0	1	0	(12h)								
Parameter	No Parameter												-								
Description	<p>-This command turns on Partial mode. The partial mode window is described by the Partial Area command (30h)</p> <p>-To leave Partial mode, the Normal Display Mode On command (13h) should be written.</p> <p>“-“ Don't care</p>																				
Default	<table border="1"> <thead> <tr> <th>Status</th> <th>Default Value</th> </tr> </thead> <tbody> <tr> <td>Power On Sequence</td> <td>Normal Mode On</td> </tr> <tr> <td>S/W Reset</td> <td>Normal Mode On</td> </tr> <tr> <td>H/W Reset</td> <td>Normal Mode On</td> </tr> </tbody> </table>													Status	Default Value	Power On Sequence	Normal Mode On	S/W Reset	Normal Mode On	H/W Reset	Normal Mode On
Status	Default Value																				
Power On Sequence	Normal Mode On																				
S/W Reset	Normal Mode On																				
H/W Reset	Normal Mode On																				
Flow Chart	See Partial Area (30h)																				

ST7735R

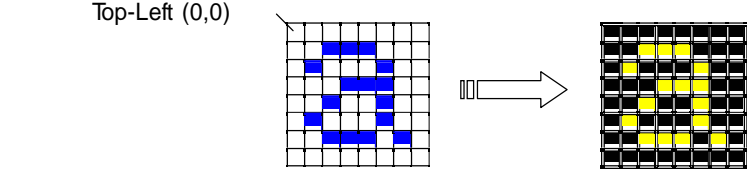
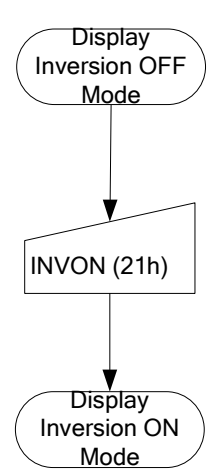
10.1.13 NORON (13h): Normal Display Mode On

13H	NORON (Normal Display Mode On)																				
Inst / Para	D/CX	WRX	RDX	D17-8	D7	D6	D5	D4	D3	D2	D1	D0	HEX								
NORON	0	↑	1	-	0	0	0	1	0	0	1	1	(13h)								
Parameter	No Parameter												-								
Description	<p>-This command returns the display to normal mode.</p> <p>-Normal display mode on means Partial mode off.</p> <p>-Exit from NORON by the Partial mode On command (12h)</p> <p>“-“ Don't care</p>																				
Default	<table border="1"> <thead> <tr> <th>Status</th> <th>Default Value</th> </tr> </thead> <tbody> <tr> <td>Power On Sequence</td> <td>Normal Mode On</td> </tr> <tr> <td>S/W Reset</td> <td>Normal Mode On</td> </tr> <tr> <td>H/W Reset</td> <td>Normal Mode On</td> </tr> </tbody> </table>													Status	Default Value	Power On Sequence	Normal Mode On	S/W Reset	Normal Mode On	H/W Reset	Normal Mode On
Status	Default Value																				
Power On Sequence	Normal Mode On																				
S/W Reset	Normal Mode On																				
H/W Reset	Normal Mode On																				
Flow Chart	See Partial Area Definition Descriptions for details of when to use this command																				

10.1.14 INVOFF (20h): Display Inversion Off

20H		IVNOFF (Normal Display Mode Off)																			
Inst / Para	D/CX	WRX	RDX	D17-8	D7	D6	D5	D4	D3	D2	D1	D0	HEX								
INVOFF	0	↑	1	-	0	0	1	0	0	0	0	0	(20h)								
Parameter	No Parameter												-								
Description	<p>-This command is used to recover from display inversion mode.</p> <p>“-“ Don't care (Example)</p> <div style="display: flex; justify-content: space-around; align-items: center;"> <div style="text-align: center;"> <p>Memory</p> <p>Top-Left (0,0)</p> </div> <div style="font-size: 2em;">→</div> <div style="text-align: center;"> <p>Display</p> </div> </div>																				
Default	<table border="1" style="width: 100%; border-collapse: collapse;"> <thead> <tr> <th>Status</th> <th>Default Value</th> </tr> </thead> <tbody> <tr> <td>Power On Sequence</td> <td>Display Inversion off</td> </tr> <tr> <td>S/W Reset</td> <td>Display Inversion off</td> </tr> <tr> <td>H/W Reset</td> <td>Display Inversion off</td> </tr> </tbody> </table>													Status	Default Value	Power On Sequence	Display Inversion off	S/W Reset	Display Inversion off	H/W Reset	Display Inversion off
Status	Default Value																				
Power On Sequence	Display Inversion off																				
S/W Reset	Display Inversion off																				
H/W Reset	Display Inversion off																				
Flow Chart	<div style="border: 1px dashed black; padding: 10px;"> <p style="text-align: center;">Legend</p> <div style="display: flex; flex-direction: column; gap: 10px;"> <div style="border: 1px solid black; padding: 5px; width: 100px; margin: 0 auto;">Command</div> <div style="border: 1px solid black; padding: 5px; width: 100px; margin: 0 auto;">Parameter</div> <div style="border: 1px solid black; padding: 5px; width: 100px; margin: 0 auto;">Display</div> <div style="border: 1px solid black; padding: 5px; width: 100px; margin: 0 auto;">Action</div> <div style="border: 1px solid black; padding: 5px; width: 100px; margin: 0 auto;">Mode</div> <div style="border: 1px solid black; padding: 5px; width: 100px; margin: 0 auto;">Sequential transfer</div> </div> </div> <div style="display: flex; flex-direction: column; align-items: center; gap: 20px;"> <div style="border: 1px solid black; border-radius: 15px; padding: 10px; text-align: center;">Display Inversion On Mode</div> <div style="font-size: 2em;">↓</div> <div style="border: 1px solid black; padding: 10px; text-align: center;">INVOFF (20h)</div> <div style="font-size: 2em;">↓</div> <div style="border: 1px solid black; border-radius: 15px; padding: 10px; text-align: center;">Display Inversion OFF Mode</div> </div>																				

10.1.15 INVON (21h): Display Inversion On

21H	IVNOFF (Display Inversion On)												HEX								
Inst / Para	D/CX	WRX	RDX	D17-8	D7	D6	D5	D4	D3	D2	D1	D0	HEX								
INVON	0	↑	1	-	0	0	1	0	0	0	0	1	(21h)								
Parameter	No Parameter												-								
Description	<p>-This command is used to enter into display inversion mode</p> <p>-To exit from Display Inversion On, the Display Inversion Off command (20h) should be written.</p> <p>“-“ Don't care</p> <p>(Example) Memory</p> <p>Top-Left (0,0)</p>  <p>Display</p>																				
Default	<table border="1"> <thead> <tr> <th>Status</th> <th>Default Value</th> </tr> </thead> <tbody> <tr> <td>Power On Sequence</td> <td>Display Inversion off</td> </tr> <tr> <td>S/W Reset</td> <td>Display Inversion off</td> </tr> <tr> <td>H/W Reset</td> <td>Display Inversion off</td> </tr> </tbody> </table>													Status	Default Value	Power On Sequence	Display Inversion off	S/W Reset	Display Inversion off	H/W Reset	Display Inversion off
Status	Default Value																				
Power On Sequence	Display Inversion off																				
S/W Reset	Display Inversion off																				
H/W Reset	Display Inversion off																				
Flow Chart	<div style="border: 1px dashed black; padding: 10px;"> <p>Legend</p> <ul style="list-style-type: none"> Command Parameter Display Action Mode Sequential transfer </div>  <pre> graph TD A([Display Inversion OFF Mode]) --> B[/INVON (21h)/] B --> C([Display Inversion ON Mode]) </pre>																				

10.1.16 GAMSET (26h): Gamma Set

26H	GAMSET (Gamma Set)												
Inst / Para	D/CX	WRX	RDX	D17-8	D7	D6	D5	D4	D3	D2	D1	D0	HEX
GAMSET	0	↑	1	-	0	0	1	0	0	1	1	0	(26h)
Parameter	1	↑	1	-	-	-	-	-	GC3	GC2	GC1	GC0	

-This command is used to select the desired Gamma curve for the current display. A maximum of 4 curves can be selected. The curve is selected by setting the appropriate bit in the parameter as described in the Table.

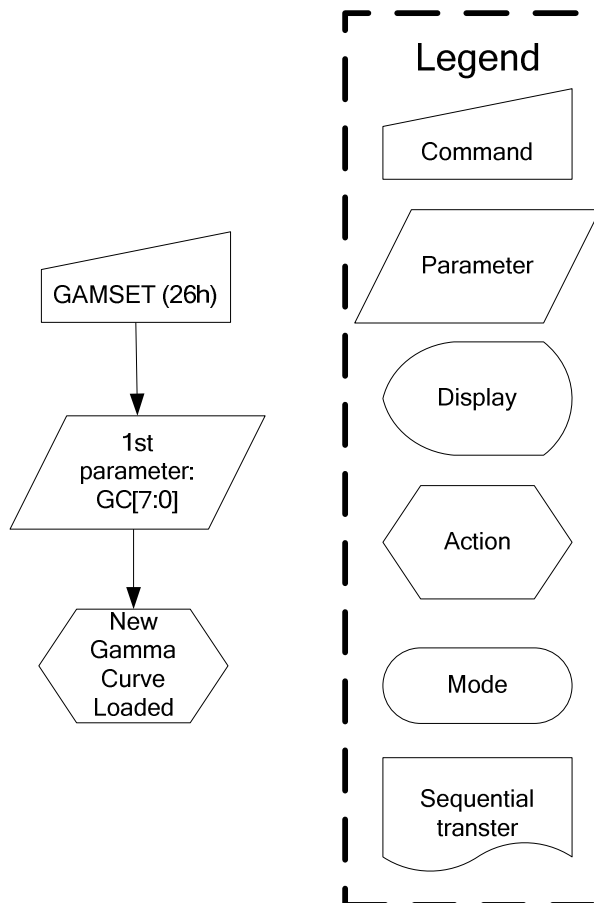
GC [7:0]	Parameter	Curve Selected	
		GS=1	GS=0
01h	GC0	Gamma Curve 1 (G2.2)	Gamma Curve 1 (G1.0)
02h	GC1	Gamma Curve 2 (G1.8)	Gamma Curve 2 (G2.5)
04h	GC2	Gamma Curve 3 (G2.5)	Gamma Curve 3 (G2.2)
08h	GC3	Gamma Curve 4 (G1.0)	Gamma Curve 4 (G1.8)

Note: All other values are undefined.

Default

Status	Default Value
Power On Sequence	01h
S/W Reset	01h
H/W Reset	01h

Flow Chart



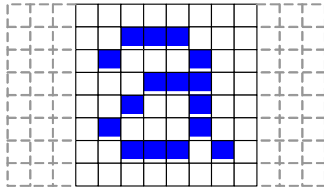
10.1.17 DISPOFF (28h): Display Off

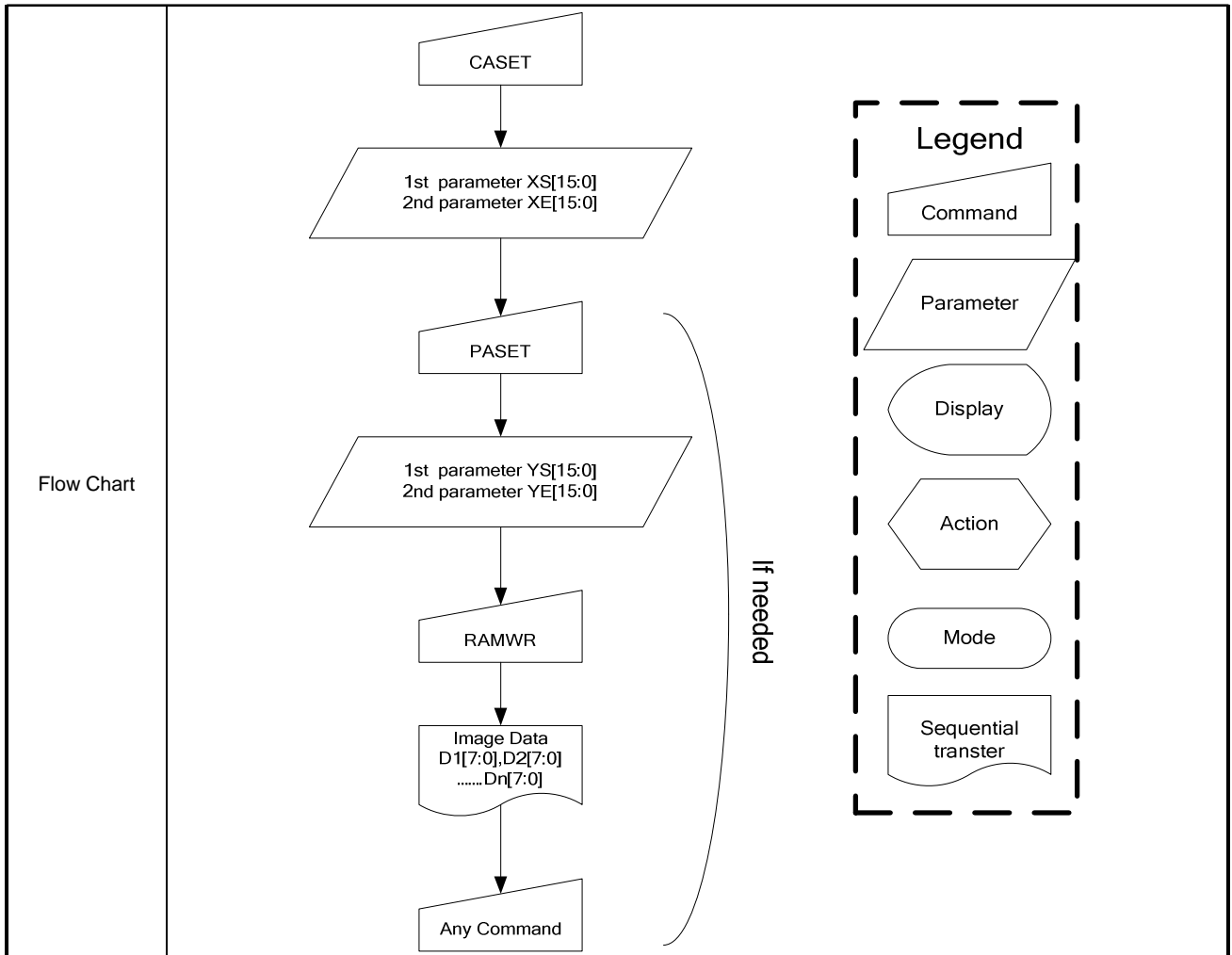
28H	DISPOFF (Display Off)												HEX								
Inst / Para	D/CX	WRX	RDX	D17-8	D7	D6	D5	D4	D3	D2	D1	D0									
DISPOFF	0	↑	1	-	0	0	1	0	1	0	0	0	(28h)								
Parameter	No Parameter												-								
Description	<p>- This command is used to enter into DISPLAY OFF mode. In this mode, the output from Frame Memory is disabled and blank page inserted.</p> <p>- This command makes no change of contents of frame memory.</p> <p>- This command does not change any other status.</p> <p>- There will be no abnormal visible effect on the display.</p> <p>- Exit from this command by Display On (29h)</p> <div style="text-align: center;"> <p>(Example)</p> </div>																				
Default	<table border="1" style="width: 100%; border-collapse: collapse;"> <thead> <tr> <th>Status</th> <th>Default Value</th> </tr> </thead> <tbody> <tr> <td>Power On Sequence</td> <td>Display off</td> </tr> <tr> <td>S/W Reset</td> <td>Display off</td> </tr> <tr> <td>H/W Reset</td> <td>Display off</td> </tr> </tbody> </table>													Status	Default Value	Power On Sequence	Display off	S/W Reset	Display off	H/W Reset	Display off
Status	Default Value																				
Power On Sequence	Display off																				
S/W Reset	Display off																				
H/W Reset	Display off																				
Flow Chart	<div style="border: 1px dashed black; padding: 10px;"> <p style="text-align: center;">Legend</p> <ul style="list-style-type: none"> Command Parameter Display Action Mode Sequential transfer </div> <div style="text-align: center; margin-top: 20px;"> <pre> graph TD A([Display On Mode]) --> B[/DISPOFF/] B --> C([Display Off Mode]) </pre> </div>																				

10.1.18 DISPON (29h): Display On

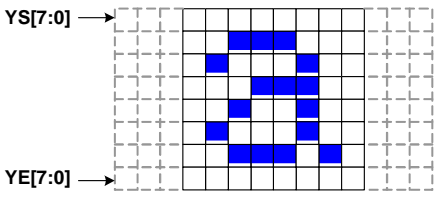
29H	DISPON (Display On)												HEX								
Inst / Para	D/CX	WRX	RDX	D17-8	D7	D6	D5	D4	D3	D2	D1	D0									
DISPON	0	↑	1	-	0	0	1	0	1	0	0	1	(29h)								
Parameter	No Parameter												-								
Description	<ul style="list-style-type: none"> - This command is used to recover from DISPLAY OFF mode. - Output from the Frame Memory is enabled. - This command makes no change of contents of frame memory. - This command does not change any other status. <div style="text-align: center;"> <p>(Example)</p> </div>																				
Default	<table border="1" style="width: 100%; border-collapse: collapse;"> <thead> <tr> <th style="width: 50%;">Status</th> <th style="width: 50%;">Default Value</th> </tr> </thead> <tbody> <tr> <td>Power On Sequence</td> <td>Display off</td> </tr> <tr> <td>S/W Reset</td> <td>Display off</td> </tr> <tr> <td>H/W Reset</td> <td>Display off</td> </tr> </tbody> </table>													Status	Default Value	Power On Sequence	Display off	S/W Reset	Display off	H/W Reset	Display off
Status	Default Value																				
Power On Sequence	Display off																				
S/W Reset	Display off																				
H/W Reset	Display off																				
Flow Chart	<div style="border: 1px dashed black; padding: 10px;"> <p style="text-align: center;">Legend</p> <div style="display: flex; flex-direction: column; align-items: center;"> <div style="border: 1px solid black; padding: 5px; margin-bottom: 5px;">Command</div> <div style="border: 1px solid black; padding: 5px; margin-bottom: 5px;">Parameter</div> <div style="border: 1px solid black; padding: 5px; margin-bottom: 5px;">Display</div> <div style="border: 1px solid black; padding: 5px; margin-bottom: 5px;">Action</div> <div style="border: 1px solid black; padding: 5px; margin-bottom: 5px;">Mode</div> <div style="border: 1px solid black; padding: 5px; margin-bottom: 5px;">Sequential transfer</div> </div> </div> <div style="margin-top: 20px;"> <pre> graph TD A([Display Off Mode]) --> B[DISPON] B --> C([Display On Mode]) </pre> </div>																				

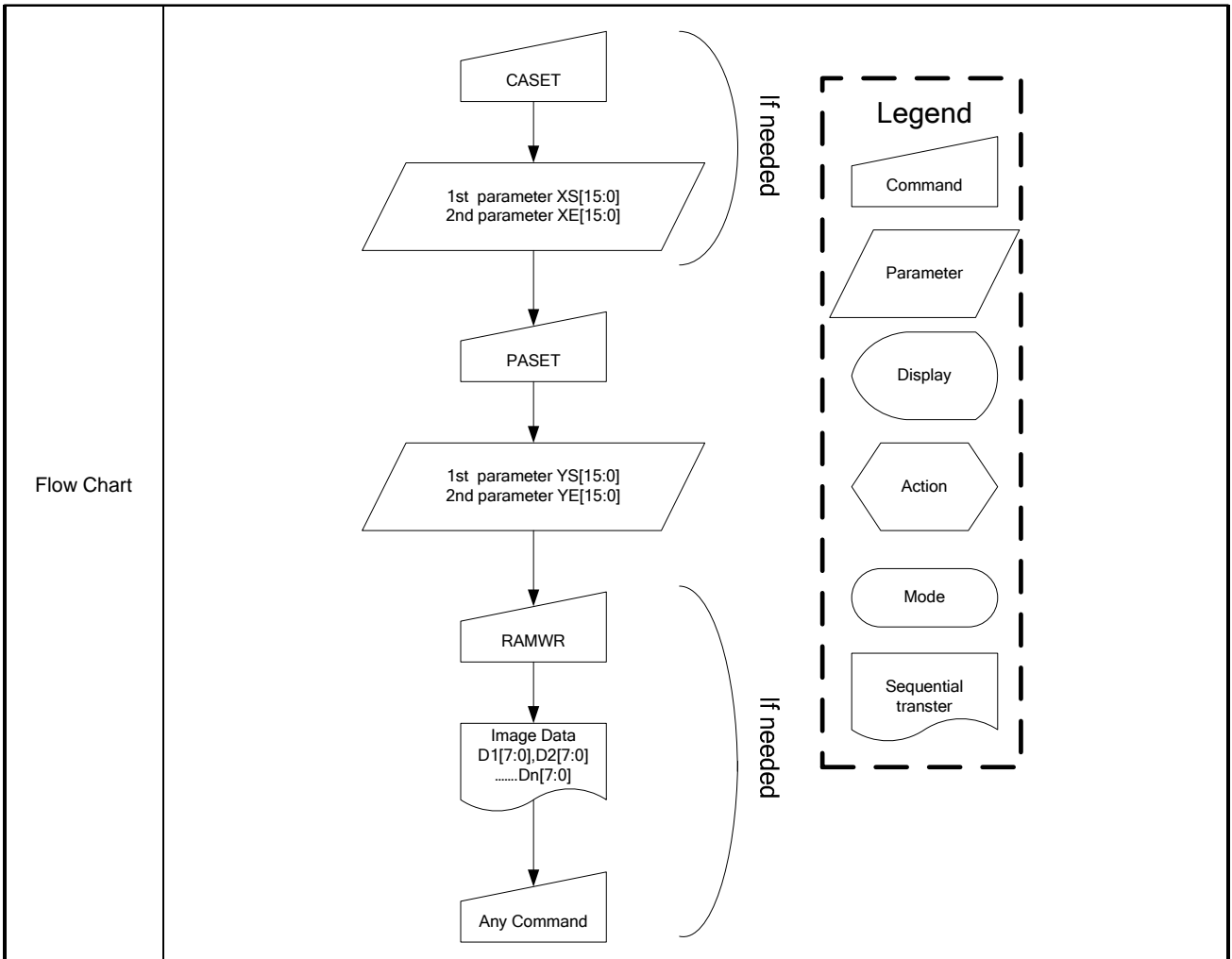
10.1.19 CASET (2Ah): Column Address Set

2AH	CASET(Column Address Set)																																														
Inst / Para	D/CX	WRX	RDX	D17-8	D7	D6	D5	D4	D3	D2	D1	D0	HEX																																		
CASET(2Ah)	0	↑	1	-	0	0	1	0	1	0	1	0	(2Ah)																																		
1 st parameter	1	↑	1	-	XS15	XS14	XS13	XS12	XS11	XS10	XS9	XS8																																			
2 nd parameter	1	↑	1	-	XS7	XS6	XS5	XS4	XS3	XS2	XS1	XS0																																			
3 rd parameter	1	↑	1	-	XE15	XE14	XE13	XE12	XE11	XE10	XE9	XE8																																			
4 th parameter	1	↑	1	-	XE7	XE6	XE5	XE4	XE3	XE2	XE1	XE0																																			
Description	<p>-The value of XS [7:0] and XE [7:0] are referred when RAMWR command comes.</p> <p>-Each value represents one column line in the Frame Memory.</p> 																																														
Restriction	<p>XS [15:0] always must be equal to or less than XE [15:0]</p> <p>When XS [15:0] or XE [15:0] is greater than maximum address like below, data of out of range will be ignored.</p> <p>1. 128X160 memory base (GM = '11')</p> <p>(Parameter range: 0 < XS [15:0] < XE [15:0] < 127 (007Fh)): MV="0"</p> <p>(Parameter range: 0 < XS [15:0] < XE [15:0] < 159 (009Fh)): MV="1"</p> <p>2. 132X162 memory base (GM = '00')</p> <p>(Parameter range: 0 < XS [15:0] < XE [15:0] < 131 (0083h)): MV="0"</p> <p>(Parameter range: 0 < XS [15:0] < XE [15:0] < 161 (00A1h)): MV="1"</p>																																														
Default	<table border="1"> <thead> <tr> <th rowspan="2">GM Status</th> <th rowspan="2">Status</th> <th colspan="3">Default Value</th> </tr> <tr> <th>XS [7:0]</th> <th>XE [7:0] (MV='0')</th> <th>XE [7:0] (MV='1')</th> </tr> </thead> <tbody> <tr> <td rowspan="3">GM='11' (128x160 memory base)</td> <td>Power On Sequence</td> <td>0000h</td> <td colspan="2">007Fh (127)</td> </tr> <tr> <td>S/W Reset</td> <td>0000h</td> <td>007Fh (127)</td> <td>009Fh (159)</td> </tr> <tr> <td>H/W Reset</td> <td>0000h</td> <td colspan="2">007Fh (127)</td> </tr> <tr> <td rowspan="3">GM='00' (132x162 memory base)</td> <td>Power On Sequence</td> <td>0000h</td> <td colspan="2">0083h (131)</td> </tr> <tr> <td>S/W Reset</td> <td>0000h</td> <td>0083h (131)</td> <td>00A1h (161)</td> </tr> <tr> <td>H/W Reset</td> <td>0000h</td> <td colspan="2">0083h (131)</td> </tr> </tbody> </table>													GM Status	Status	Default Value			XS [7:0]	XE [7:0] (MV='0')	XE [7:0] (MV='1')	GM='11' (128x160 memory base)	Power On Sequence	0000h	007Fh (127)		S/W Reset	0000h	007Fh (127)	009Fh (159)	H/W Reset	0000h	007Fh (127)		GM='00' (132x162 memory base)	Power On Sequence	0000h	0083h (131)		S/W Reset	0000h	0083h (131)	00A1h (161)	H/W Reset	0000h	0083h (131)	
GM Status	Status	Default Value																																													
		XS [7:0]	XE [7:0] (MV='0')	XE [7:0] (MV='1')																																											
GM='11' (128x160 memory base)	Power On Sequence	0000h	007Fh (127)																																												
	S/W Reset	0000h	007Fh (127)	009Fh (159)																																											
	H/W Reset	0000h	007Fh (127)																																												
GM='00' (132x162 memory base)	Power On Sequence	0000h	0083h (131)																																												
	S/W Reset	0000h	0083h (131)	00A1h (161)																																											
	H/W Reset	0000h	0083h (131)																																												



10.1.20 RASET (2Bh): Row Address Set

2BH	RASET (Row Address Set)												HEX																																		
Inst / Para	D/CX	WRX	RDX	D17-8	D7	D6	D5	D4	D3	D2	D1	D0																																			
RASET (2Bh)	0	↑	1	-	0	0	1	0	1	0	1	1	(2Bh)																																		
1 st parameter	1	↑	1	-	YS15	YS14	YS13	YS12	YS11	YS10	YS9	YS8																																			
2 nd parameter	1	↑	1	-	YS7	YS6	YS5	YS4	YS3	YS2	YS1	YS0																																			
3 rd parameter	1	↑	1	-	YE15	YE14	YE13	YE12	YE11	YE10	YE9	YE8																																			
4 th parameter	1	↑	1	-	YE7	YE6	YE5	YE4	YE3	YE2	YE1	YE0																																			
Description	<p>The value of YS [7:0] and YE [7:0] are referred when RAMWR command comes.</p> <p>Each value represents one column line in the Frame Memory.</p> 																																														
Restriction	<p>YS [15:0] always must be equal to or less than YE [15:0]</p> <p>When YS [15:0] or YE [15:0] are greater than maximum row address like below, data of out of range will be ignored.</p> <p>1. 128X160 memory base (GM = '11')</p> <p>(Parameter range: 0 < YS [15:0] < YE [15:0] < 159 (009Fh)): MV="0"</p> <p>(Parameter range: 0 < YS [15:0] < YE [15:0] < 127 (007Fh)): MV="1"</p> <p>2. 132X162 memory base (GM = '00')</p> <p>(Parameter range: 0 < YS [15:0] < YE [15:0] < 161 (00A1h)): MV="0"</p> <p>(Parameter range: 0 < YS [15:0] < YE [15:0] < 131 (0083h)): MV="1"</p>																																														
Default	<table border="1"> <thead> <tr> <th rowspan="2">GM status</th> <th rowspan="2">Status</th> <th colspan="3">Default Value</th> </tr> <tr> <th>YS [15:0]</th> <th>YE [15:0] (MV='0')</th> <th>YE [15:0] (MV='1')</th> </tr> </thead> <tbody> <tr> <td rowspan="3">GM='11' (128x160 memory base)</td> <td>Power On Sequence</td> <td>0000h</td> <td colspan="2">009Fh (159)</td> </tr> <tr> <td>S/W Reset</td> <td>0000h</td> <td>009Fh (159)</td> <td>007Fh (127)</td> </tr> <tr> <td>H/W Reset</td> <td>0000h</td> <td colspan="2">009Fh (159)</td> </tr> <tr> <td rowspan="3">GM='00' (132x162 memory base)</td> <td>Power On Sequence</td> <td>0000h</td> <td colspan="2">00A1h (161)</td> </tr> <tr> <td>S/W Reset</td> <td>0000h</td> <td>00A1h (161)</td> <td>0083h (131)</td> </tr> <tr> <td>H/W Reset</td> <td>0000h</td> <td colspan="2">00A1h (161)</td> </tr> </tbody> </table>													GM status	Status	Default Value			YS [15:0]	YE [15:0] (MV='0')	YE [15:0] (MV='1')	GM='11' (128x160 memory base)	Power On Sequence	0000h	009Fh (159)		S/W Reset	0000h	009Fh (159)	007Fh (127)	H/W Reset	0000h	009Fh (159)		GM='00' (132x162 memory base)	Power On Sequence	0000h	00A1h (161)		S/W Reset	0000h	00A1h (161)	0083h (131)	H/W Reset	0000h	00A1h (161)	
GM status	Status	Default Value																																													
		YS [15:0]	YE [15:0] (MV='0')	YE [15:0] (MV='1')																																											
GM='11' (128x160 memory base)	Power On Sequence	0000h	009Fh (159)																																												
	S/W Reset	0000h	009Fh (159)	007Fh (127)																																											
	H/W Reset	0000h	009Fh (159)																																												
GM='00' (132x162 memory base)	Power On Sequence	0000h	00A1h (161)																																												
	S/W Reset	0000h	00A1h (161)	0083h (131)																																											
	H/W Reset	0000h	00A1h (161)																																												



10.1.21 RAMWR (2Ch): Memory Write

2CH		RAMWR (Memory Write)																			
Inst / Para	D/CX	WRX	RDX	D17-8	D7	D6	D5	D4	D3	D2	D1	D0	HEX								
RAMWR	0	↑	1	-	0	0	1	0	1	1	0	0	(2Ch)								
1st parameter	1	↑	1	D17-8	D7	D6	D5	D4	D3	D2	D1	D0									
	1	↑	1																		
Nth parameter	1	↑	1	D17-8	D7	D6	D5	D4	D3	D2	D1	D0									
Description	<p>In all color modes, there is no restriction on length of parameters.</p> <p>1. 128X160 memory base (GM = '11')</p> <p>128x160x18-bit memory can be written by this command</p> <p>Memory range: (0000h, 0000h) -> (007Fh, 09Fh)</p> <p>2. 132x162 memory base (GM = '00')</p> <p>132x162x18-bit memory can be written on this command.</p> <p>Memory range: (0000h, 0000h) -> (0083h, 00A1h)</p>																				
Default	<table border="1"> <thead> <tr> <th>Status</th> <th>Default Value</th> </tr> </thead> <tbody> <tr> <td>Power On Sequence</td> <td>Contents of memory is set randomly</td> </tr> <tr> <td>S/W Reset</td> <td>Contents of memory is not cleared</td> </tr> <tr> <td>H/W Reset</td> <td>Contents of memory is not cleared</td> </tr> </tbody> </table>													Status	Default Value	Power On Sequence	Contents of memory is set randomly	S/W Reset	Contents of memory is not cleared	H/W Reset	Contents of memory is not cleared
Status	Default Value																				
Power On Sequence	Contents of memory is set randomly																				
S/W Reset	Contents of memory is not cleared																				
H/W Reset	Contents of memory is not cleared																				
Flow Chart																					

10.1.22 RGBSET (2Dh): Color Setting for 4K, 65K and 262K

2DH	RGBSET (Color Set for 4K, 65K, 262K and 16.7M)												HEX								
Inst / Para	D/CX	WRX	RDX	D17-8	D7	D6	D5	D4	D3	D2	D1	D0	HEX								
RGBSET	0	↑	1	-	0	0	1	0	1	1	0	1	(2Dh)								
1st parameter	1	↑	1	-	-	-	R005	R004	R003	R002	R001	R000									
	1	↑	1	-	-	-	Rnn5	Rnn4	Rnn3	Rnn2	Rnn1	Rnn0									
	1	↑	1	-	-	-	R315	R314	R313	R312	R311	R310									
	1	↑	1	-	-	-	G005	G004	G003	G002	G001	G000									
	1	↑	1	-	-	-	Gnn5	Gnn4	Gnn3	Gnn2	Gnn1	Gnn0									
	1	↑	1	-	-	-	G635	G634	G633	G632	G631	G630									
	1	↑	1	-	-	-	B005	B004	B003	B002	B001	B000									
	1	↑	1	-	-	-	Bnn5	Bnn4	Bnn3	Bnn2	Bnn1	Bnn0									
128th parameter	1	↑	1	-	-	-	B315	B314	B313	B312	B311	B310									
Description	<p>This command is used to define the LUT for 12bits-to-16bits / 16-bit-to- 18bits color depth conversations.</p> <p>128-Bytes must be written to the LUT regardless of the color mode. Only the values in Section 9.18 are referred.</p> <p>In this condition, 4K-color (4-4-4) and 65K-color(5-6-5) data input are transferred 6(R)-6(G)-6(B) through RGB LUT table.</p> <p>This command has no effect on other commands/parameters and Contents of frame memory.</p> <p>Visible change takes effect next time the Frame Memory is written to.</p> <p>Do not send any command before the last data is sent or LUT is not defined correctly.</p>																				
Default	<table border="1"> <thead> <tr> <th>Status</th> <th>Default Value</th> </tr> </thead> <tbody> <tr> <td>Power On Sequence</td> <td>Random</td> </tr> <tr> <td>S/W Reset</td> <td>Contents of the look-up table protected</td> </tr> <tr> <td>H/W Reset</td> <td>Random</td> </tr> </tbody> </table>						Status	Default Value	Power On Sequence	Random	S/W Reset	Contents of the look-up table protected	H/W Reset	Random							
Status	Default Value																				
Power On Sequence	Random																				
S/W Reset	Contents of the look-up table protected																				
H/W Reset	Random																				
Flow Chart	<pre> graph TD A[RGBSET (2Dh)] --> B[1st parameter: 128th parameter:] </pre> <p>Legend</p> <ul style="list-style-type: none"> Command (trapezoid) Parameter (parallelogram) Display (oval) Action (hexagon) Mode (rounded rectangle) Sequential transfer (wavy bottom rectangle) 																				

10.1.23 RAMRD (2Eh): Memory Read

2EH	RAMHD (Memory Read)												HEX								
Inst / Para	D/CX	WRX	RDX	D17-8	D7	D6	D5	D4	D3	D2	D1	D0									
RAMHD	0	↑	1	-	0	0	1	0	1	1	1	0	(2Eh)								
1 st parameter	1	1	↑	-	-	-	-	-	-	-	-	-									
2 nd parameter	1	1	↑	D17-8	D7	D6	D5	D4	D3	D2	D1	D0									
	1	1	↑																		
(N+1)th parameter	1	1	↑	D17-8	D7	D6	D5	D4	D3	D2	D1	D0									
Description	<p>-This command is used to transfer data from frame memory to MCU.</p> <p>-When this command is accepted, the column register and the row register are reset to the Start Column/Start Row positions.</p> <p>-The Start Column/Start Row positions are different in accordance with MADCTL setting.</p> <p>-Then D[17:0] is read back from the frame memory and the column register and the row register incremented as section 9.10</p> <p>-Frame Read can be cancelled by sending any other command.</p> <p>-The data color coding is fixed to 18-bit in reading function. Please see section 9.8 "Data color coding" for color coding (18-bit cases), when there is used 8, 9, 16 and 18-bit data lines for image data.</p> <p>Note1: The Command 3Ah should be set to 66h when reading pixel data from frame memory. Please check the LUT in chapter 9.17 when using memory read function.</p>																				
Default	<table border="1"> <thead> <tr> <th>Status</th> <th>Default Value</th> </tr> </thead> <tbody> <tr> <td>Power On Sequence</td> <td>Contents of memory is set randomly</td> </tr> <tr> <td>S/W Reset</td> <td>Contents of memory is not cleared</td> </tr> <tr> <td>H/W Reset</td> <td>Contents of memory is not cleared</td> </tr> </tbody> </table>													Status	Default Value	Power On Sequence	Contents of memory is set randomly	S/W Reset	Contents of memory is not cleared	H/W Reset	Contents of memory is not cleared
Status	Default Value																				
Power On Sequence	Contents of memory is set randomly																				
S/W Reset	Contents of memory is not cleared																				
H/W Reset	Contents of memory is not cleared																				
Flow Chart	<div style="display: flex; align-items: center;"> <div style="flex: 1;"> <pre> graph TD A[RAMRD] --> B[/Dummy/] B --> C[Image Data D1[7:0], D2[7:0]Dn[7:0]] C --> D[Any Command] </pre> </div> <div style="flex: 1; border: 1px dashed black; padding: 5px;"> <p>Legend</p> <ul style="list-style-type: none"> ▭ Command ▭ Parameter ○ Display ⬡ Action ⬭ Mode ⬭ Sequential transfer </div> </div>																				

10.1.24 PTLAR (30h): Partial Area

30H	PTLAR (Partial Area)												HEX
Inst / Para	D/CX	WRX	RDX	D17-8	D7	D6	D5	D4	D3	D2	D1	D0	HEX
PTLAR	0	↑	1	-	0	0	1	1	0	0	0	0	(30h)
1st parameter	1	↑	1	-	PSL15	PSL14	PSL13	PSL12	PSL11	PSL10	PSL9	PSL8	
2nd parameter	1	↑	1	-	PSL7	PSL6	PSL5	PSL4	PSL3	PSL2	PSL1	PSL0	
3rd parameter	1	↑	1	-	PEL15	PEL14	PEL13	PEL12	PEL11	PEL10	PEL9	PEL8	
4th parameter	1	↑	1	-	PEL7	PEL6	PEL5	PEL4	PEL3	PEL2	PEL1	PEL0	

Description

-This command defines the partial mode's display area.

-There are 4 parameters associated with this command, the first defines the Start Row (PSL) and the second the End Row (PEL), as illustrated in the figures below. PSL and PEL refer to the Frame Memory row address counter.

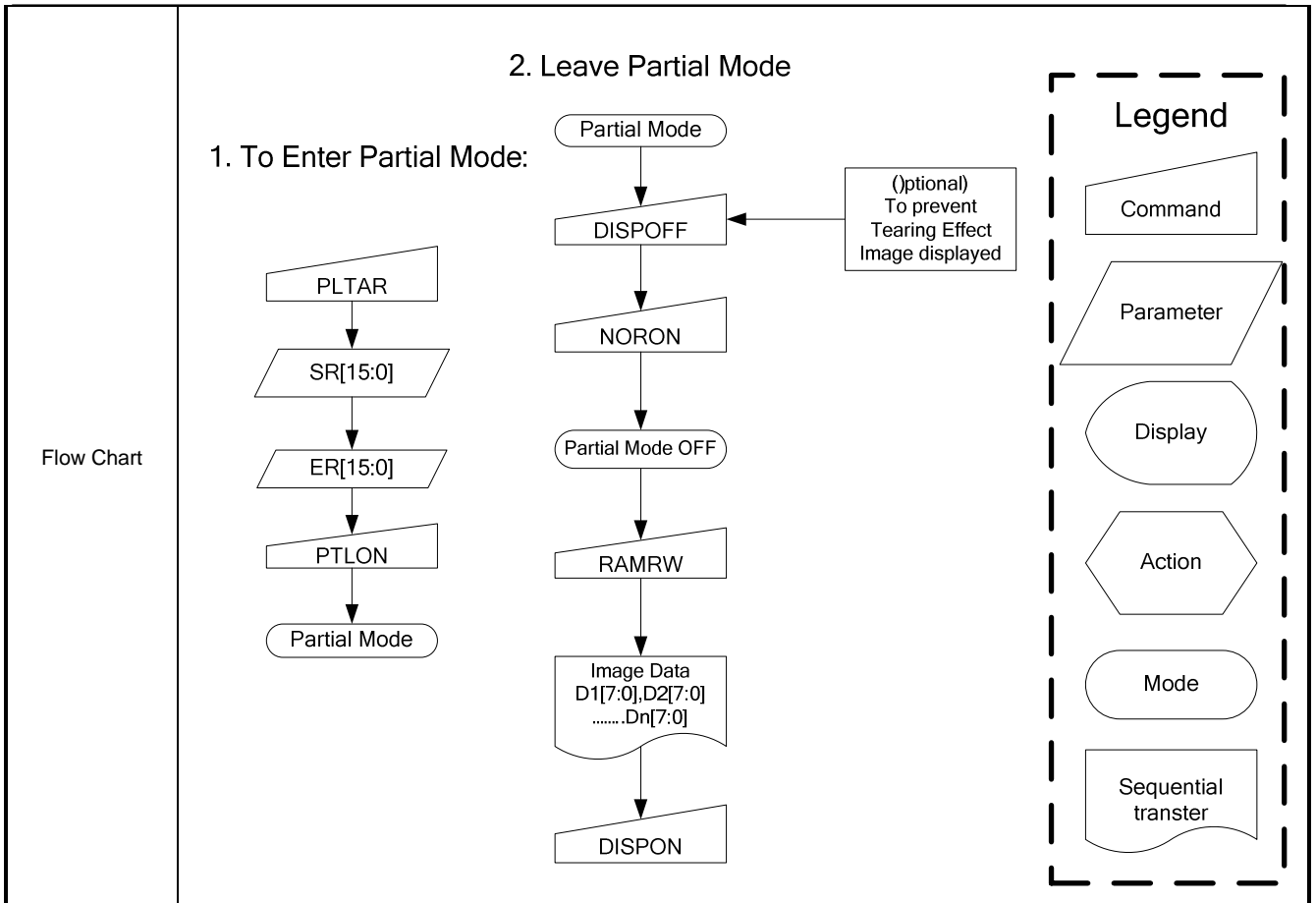
-If End Row > Start Row, when MADCTL ML='0'

-If End Row > Start Row, when MADCTL ML='1'

-If End Row < Start Row, when MADCTL ML='0'

-If End Row = Start Row then the Partial Area will be one row deep.

Default	Status	Default Value	
		PSL [15:0]	PEL [15:0]
	GM[1:0]	"xx"	GM[1:0]="11" GM[1:0]="00"
	Power On Sequence	0000h	009Fh 00A1h
	S/W Reset	0000h	009Fh 00A1h
	H/W Reset	0000h	009Fh 00A1h



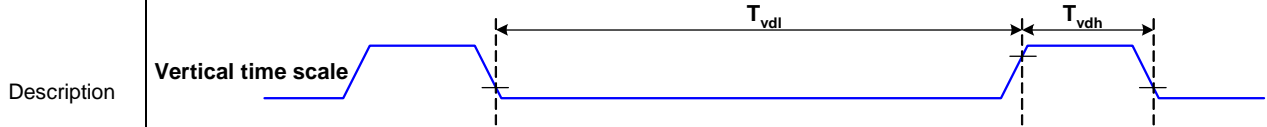
10.1.25 TEOFF (34h): Tearing Effect Line OFF

34H	TEOFF (Tearing Effect Line OFF)												HEX							
Inst / Para	D/CX	WRX	RDX	D17-8	D7	D6	D5	D4	D3	D2	D1	D0								
TEOFF	0	↑	1	-	0	0	1	1	0	1	0	0	(34h)							
Parameter	No Parameter												-							
Description	-This command is used to turn OFF (Active Low) the Tearing Effect output signal from the TE signal line.																			
Default	<table border="1"> <thead> <tr> <th>Status</th> <th>Default Value</th> </tr> </thead> <tbody> <tr> <td>Power On Sequence</td> <td>OFF</td> </tr> <tr> <td>S/W Reset</td> <td>OFF</td> </tr> <tr> <td>H/W Reset</td> <td>OFF</td> </tr> </tbody> </table>												Status	Default Value	Power On Sequence	OFF	S/W Reset	OFF	H/W Reset	OFF
Status	Default Value																			
Power On Sequence	OFF																			
S/W Reset	OFF																			
H/W Reset	OFF																			
Flow Chart	<div style="display: flex; align-items: center;"> <div style="flex: 1;"> <pre> graph TD A([TE Line Output ON]) --> B[/TEOFF/] B --> C([TE Line Output OFF]) </pre> </div> <div style="flex: 1; border: 1px dashed black; padding: 5px;"> <p>Legend</p> <ul style="list-style-type: none"> Command Parameter Display Action Mode Sequential transfer </div> </div>																			

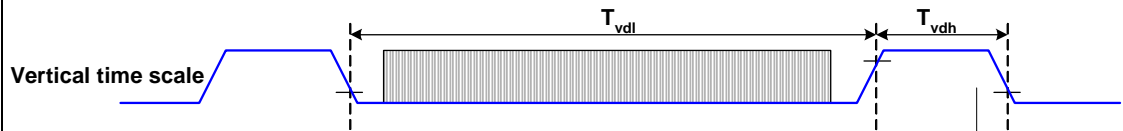
10.1.26 TEON (35h): Tearing Effect Line ON

35H	TEON (Tearing Effect Line ON)												HEX
Inst / Para	D/CX	WRX	RDX	D17-8	D7	D6	D5	D4	D3	D2	D1	D0	HEX
TEON	0	↑	1	-	0	0	1	1	0	1	0	1	(35h)
Parameter	1	↑	1	-	0	0	0	0	0	0	0	TEM	

- This command is used to turn ON the Tearing Effect output signal from the TE signal line.
- This output is not affected by changing MADCTL bit ML.
- The Tearing Effect Line On has one parameter, which describes the mode of the Tearing Effect Output Line:
- When TEM = '0': The Tearing Effect output line consists of V-Blanking information only



- When TEM = '1': The Tearing Effect output Line consists of both V-Blanking and H-Blanking information

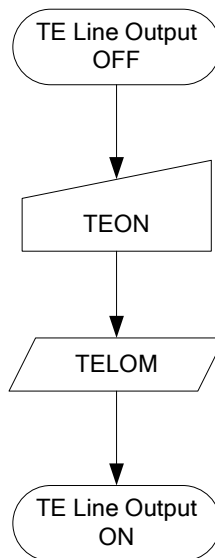


Note: During Sleep In Mode with Tearing Effect Line On, Tearing Effect Output pin will be active Low.

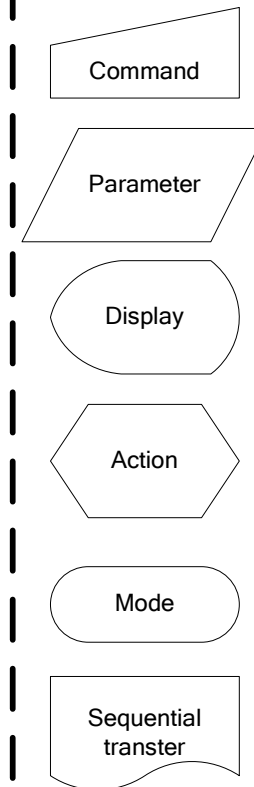
Default

Status	Default Value
Power On Sequence	Tearing effect off & TEM=0
S/W Reset	Tearing effect off & TEM=0
H/W Reset	Tearing effect off & TEM=0

Flow Chart



Legend



10.1.27 MADCTL (36h): Memory Data Access Control

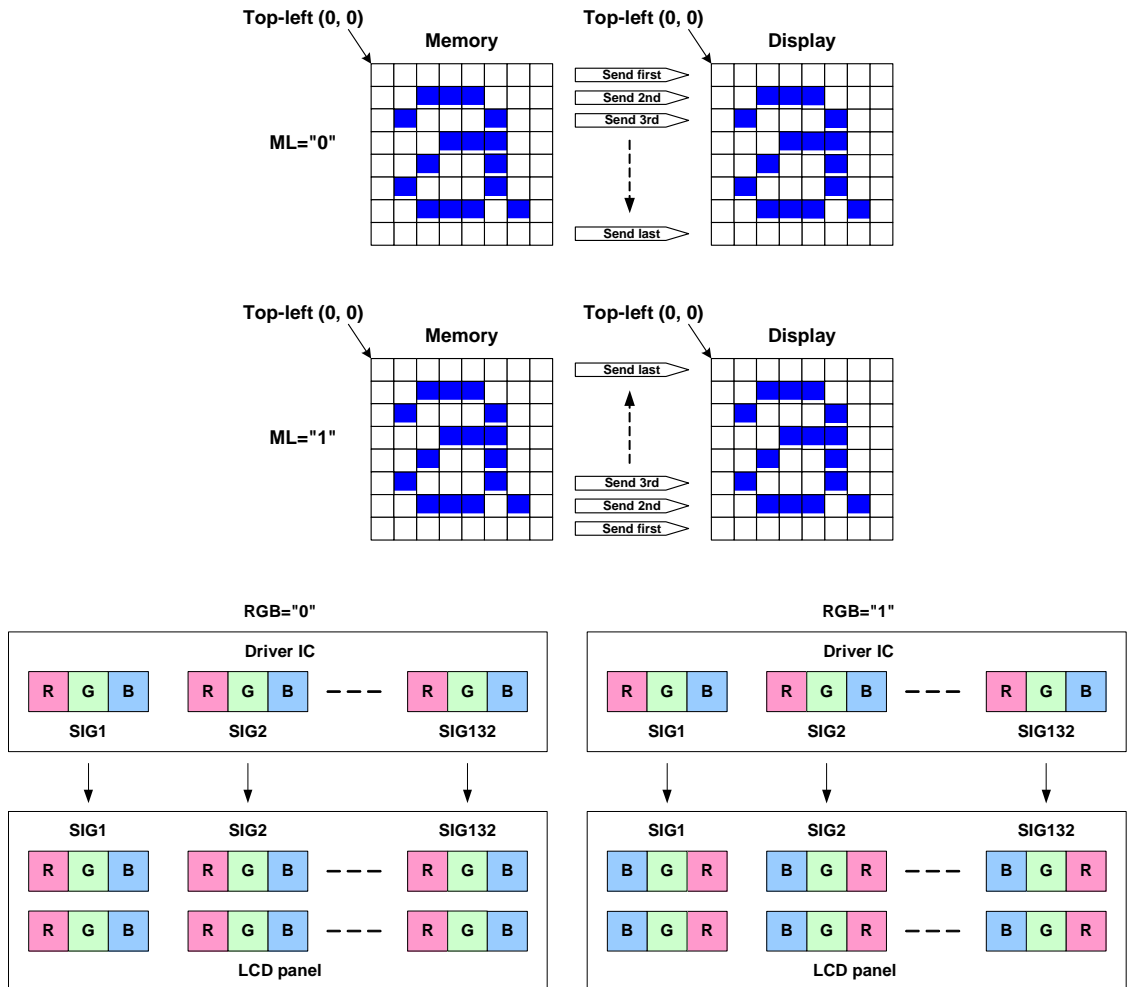
36H	MADCTL (Memory Data Access Control)												HEX
Inst / Para	D/CX	WRX	RDX	D17-8	D7	D6	D5	D4	D3	D2	D1	D0	HEX
MADCTL	0	↑	1	-	0	0	1	1	0	1	1	0	(36h)
Parameter	1	↑	1	-	MY	MX	MV	ML	RGB	MH	-	-	

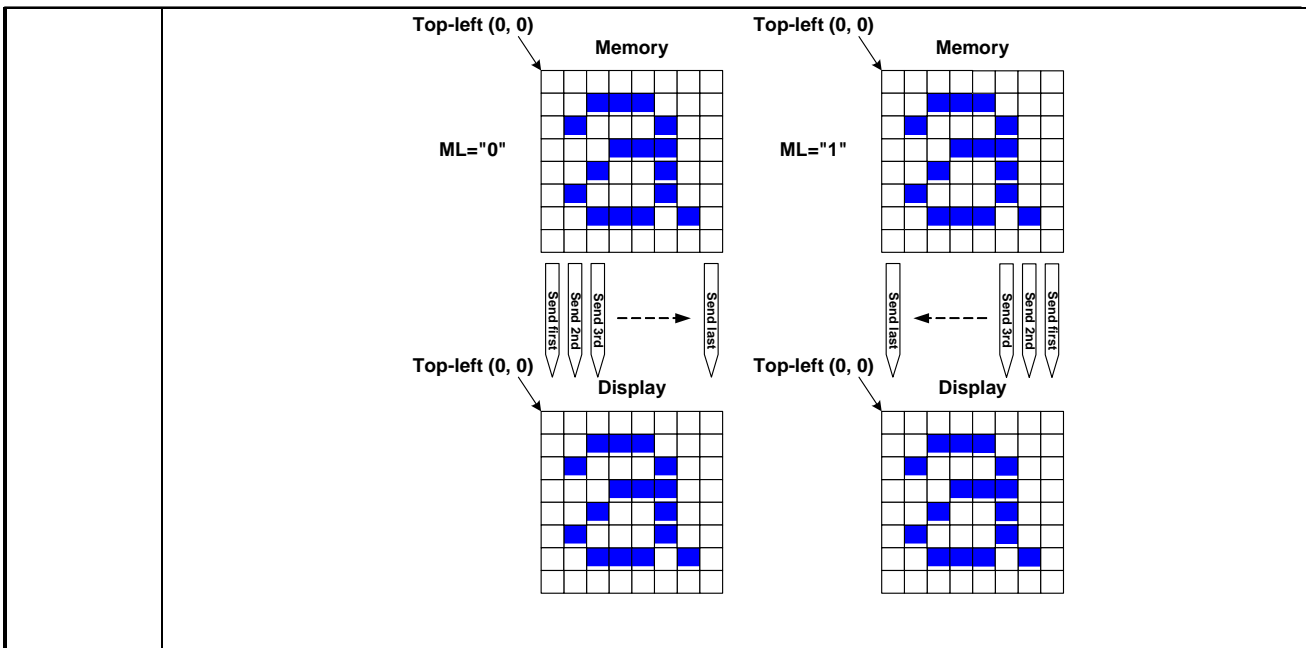
-This command defines read/ write scanning direction of frame memory.

Bit	NAME	DESCRIPTION
MY	Row Address Order	These 3bits controls MCU to memory write/read direction.
MX	Column Address Order	
MV	Row/Column Exchange	
ML	Vertical Refresh Order	LCD vertical refresh direction control '0' = LCD vertical refresh Top to Bottom '1' = LCD vertical refresh Bottom to Top
RGB	RGB-BGR ORDER	Color selector switch control '0' =RGB color filter panel, '1' =BGR color filter panel)
MH	Horizontal Refresh Order	LCD horizontal refresh direction control '0' = LCD horizontal refresh Left to right '1' = LCD horizontal refresh right to left

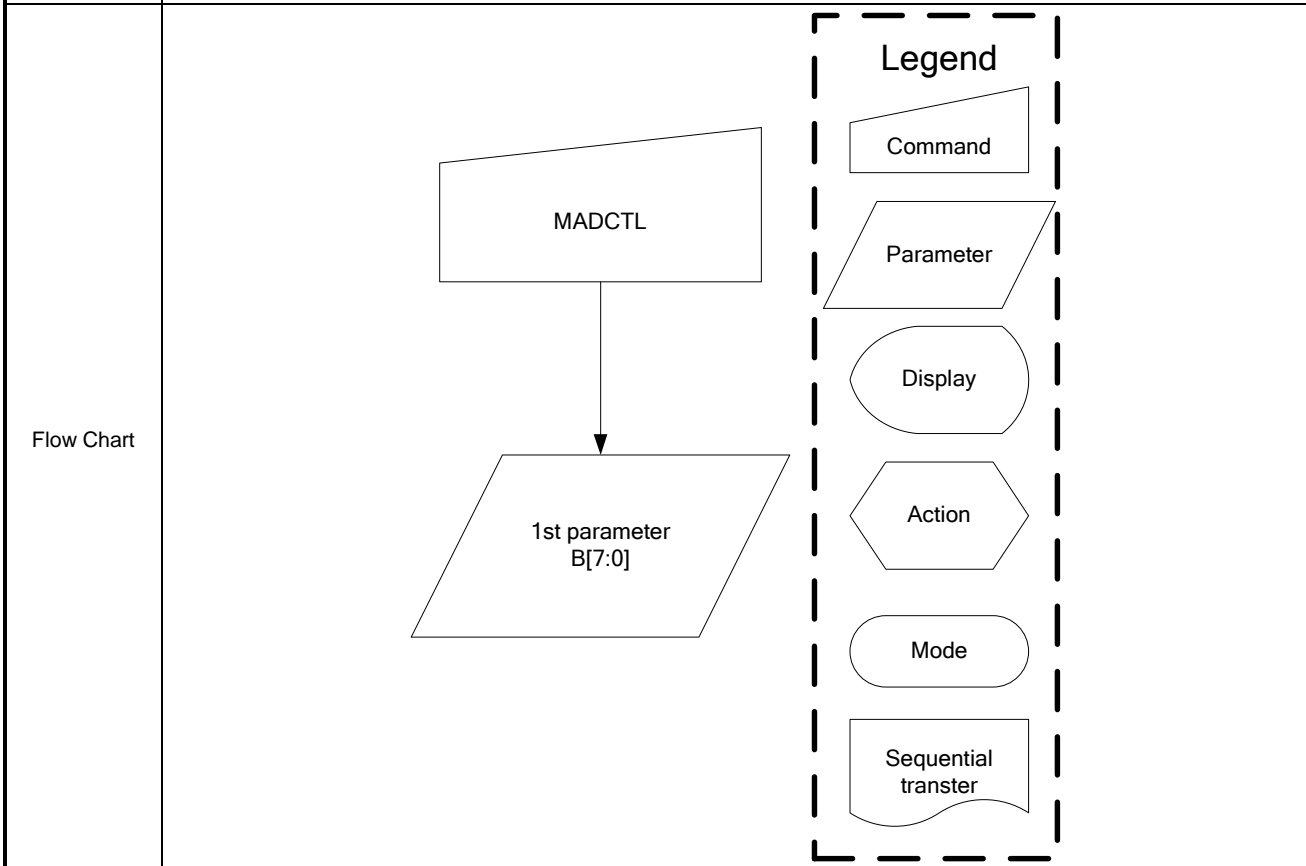
-Bit Assignment

Description





	Status	Default Value
Default	Power On Sequence	MY=0,MX=0,MV=0,ML=0,RGB=0,MH=0
	S/W Reset	No Change
	H/W Reset	MY=0,MX=0,MV=0,ML=0,RGB=0,MH=0

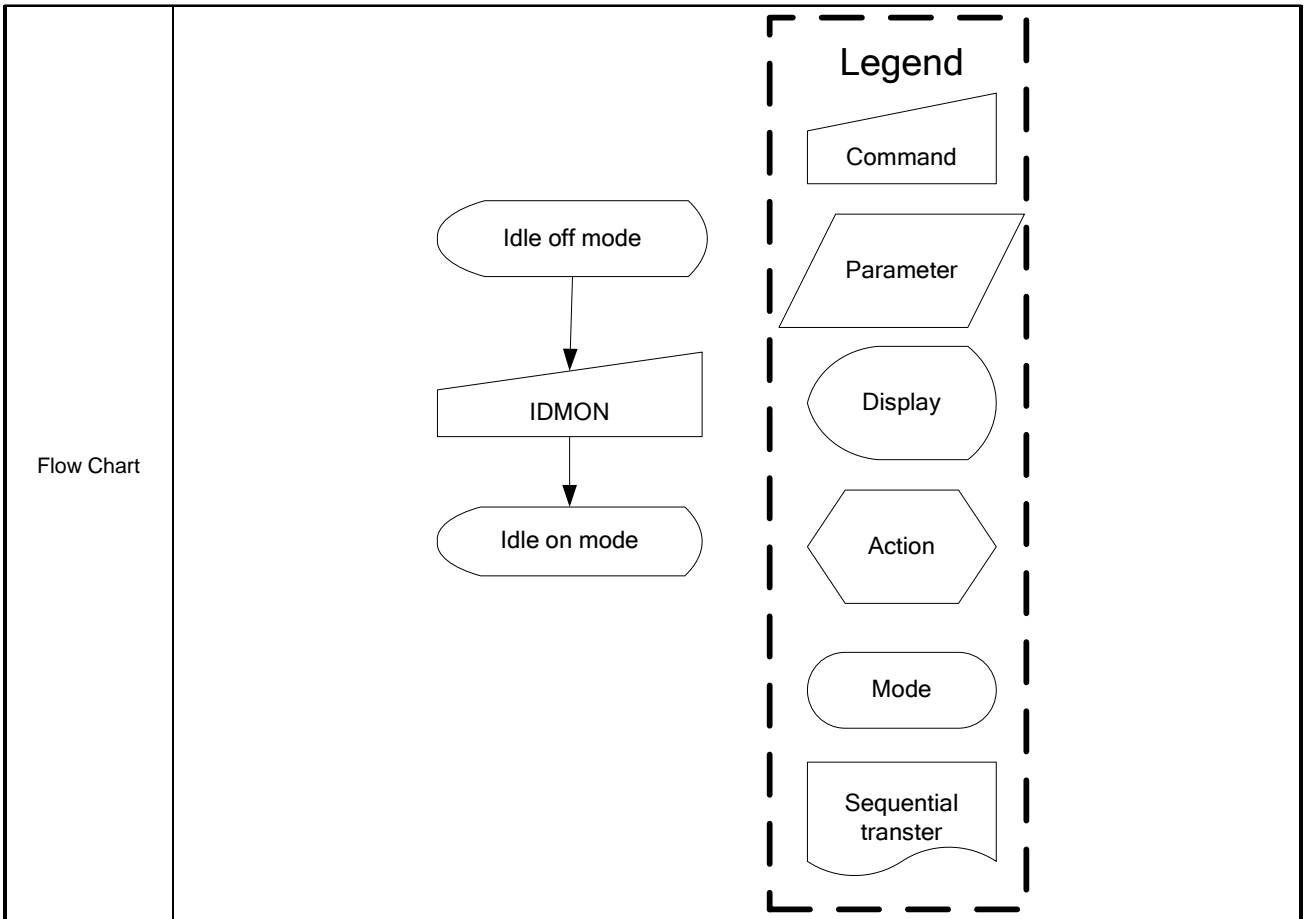


10.1.28 IDMOFF (38h): Idle Mode Off

38H	IDMOFF (Idle Mode Off)												HEX							
Inst / Para	D/CX	WRX	RDX	D17-8	D7	D6	D5	D4	D3	D2	D1	D0	HEX							
IDMOFF	0	↑	1	-	0	0	1	1	1	0	0	0	(38h)							
Parameter	No Parameter												-							
Description	<p>-This command is used to recover from Idle mode on.</p> <p>-In the idle off mode,</p> <ol style="list-style-type: none"> LCD can display 4096, 65k or 262k colors. Normal frame frequency is applied. 																			
Default	<table border="1"> <thead> <tr> <th>Status</th> <th>Default Value</th> </tr> </thead> <tbody> <tr> <td>Power On Sequence</td> <td>Idle Mode Off</td> </tr> <tr> <td>S/W Reset</td> <td>Idle Mode Off</td> </tr> <tr> <td>H/W Reset</td> <td>Idle Mode Off</td> </tr> </tbody> </table>												Status	Default Value	Power On Sequence	Idle Mode Off	S/W Reset	Idle Mode Off	H/W Reset	Idle Mode Off
Status	Default Value																			
Power On Sequence	Idle Mode Off																			
S/W Reset	Idle Mode Off																			
H/W Reset	Idle Mode Off																			
Flow Chart	<div style="display: flex; align-items: center;"> <div style="flex: 1;"> <pre> graph TD A([Idle on mode]) --> B[/IDMOFF/] B --> C([Idle off mode]) </pre> </div> <div style="flex: 1; border: 1px dashed black; padding: 5px;"> <p>Legend</p> <ul style="list-style-type: none"> Command Parameter Display Action Mode Sequential transfer </div> </div>																			

10.1.29 IDMON (39h): Idle Mode On

39H	IDMON (Idle Mode On)												HEX																																			
Inst / Para	D/CX	WRX	RDX	D17-8	D7	D6	D5	D4	D3	D2	D1	D0	HEX																																			
IDMOFF	0	↑	1	-	0	0	1	1	1	0	0	1	(39h)																																			
Parameter	No Parameter												-																																			
Description	<p>-This command is used to enter into Idle mode on.</p> <p>-There will be no abnormal visible effect on the display mode change transition.</p> <p>-In the idle on mode,</p> <ol style="list-style-type: none"> Color expression is reduced. The primary and the secondary colors using MSB of each R,G and B in the Frame Memory, 8 color depth data is displayed. 8-Color mode frame frequency is applied. Exit from IDMON by Idle Mode Off (38h) command 																																															
	<div style="display: flex; align-items: center; justify-content: center;"> <div style="text-align: center; margin-right: 20px;"> <p>Top-Left (0,0)</p> </div> <div style="margin-right: 20px;"> <p>(Example) Memory</p> </div> <div style="margin-right: 20px;"> </div> <div style="text-align: center; margin-right: 20px;"> <p>Display</p> </div> </div> <table border="1" style="margin-top: 20px; width: 100%; text-align: center;"> <thead> <tr> <th>Color</th> <th>R5 R4 R3 R2 R1 R0</th> <th>G5 G4 G3 G2 G1 G0</th> <th>B5 B4 B3 B2 B1 B0</th> </tr> </thead> <tbody> <tr> <td>Black</td> <td>0xxxxx</td> <td>0xxxxx</td> <td>0xxxxx</td> </tr> <tr> <td>Blue</td> <td>0xxxxx</td> <td>0xxxxx</td> <td>1xxxxx</td> </tr> <tr> <td>Red</td> <td>1xxxxx</td> <td>0xxxxx</td> <td>0xxxxx</td> </tr> <tr> <td>Magenta</td> <td>1xxxxx</td> <td>0xxxxx</td> <td>1xxxxx</td> </tr> <tr> <td>Green</td> <td>0xxxxx</td> <td>1xxxxx</td> <td>0xxxxx</td> </tr> <tr> <td>Cyan</td> <td>0xxxxx</td> <td>1xxxxx</td> <td>1xxxxx</td> </tr> <tr> <td>Yellow</td> <td>1xxxxx</td> <td>1xxxxx</td> <td>0xxxxx</td> </tr> <tr> <td>White</td> <td>1xxxxx</td> <td>1xxxxx</td> <td>1xxxxx</td> </tr> </tbody> </table>													Color	R5 R4 R3 R2 R1 R0	G5 G4 G3 G2 G1 G0	B5 B4 B3 B2 B1 B0	Black	0xxxxx	0xxxxx	0xxxxx	Blue	0xxxxx	0xxxxx	1xxxxx	Red	1xxxxx	0xxxxx	0xxxxx	Magenta	1xxxxx	0xxxxx	1xxxxx	Green	0xxxxx	1xxxxx	0xxxxx	Cyan	0xxxxx	1xxxxx	1xxxxx	Yellow	1xxxxx	1xxxxx	0xxxxx	White	1xxxxx	1xxxxx
Color	R5 R4 R3 R2 R1 R0	G5 G4 G3 G2 G1 G0	B5 B4 B3 B2 B1 B0																																													
Black	0xxxxx	0xxxxx	0xxxxx																																													
Blue	0xxxxx	0xxxxx	1xxxxx																																													
Red	1xxxxx	0xxxxx	0xxxxx																																													
Magenta	1xxxxx	0xxxxx	1xxxxx																																													
Green	0xxxxx	1xxxxx	0xxxxx																																													
Cyan	0xxxxx	1xxxxx	1xxxxx																																													
Yellow	1xxxxx	1xxxxx	0xxxxx																																													
White	1xxxxx	1xxxxx	1xxxxx																																													
Register Availability	Status						Availability																																									
	Normal Mode On, Idle Mode Off, Sleep Out						Yes																																									
	Normal Mode On, Idle Mode On, Sleep Out						Yes																																									
	Partial Mode On, Idle Mode Off, Sleep Out						No																																									
	Partial Mode On, Idle Mode On, Sleep Out						No																																									
Sleep In						Yes																																										
Default	Status						Default Value																																									
	Power On Sequence						Idle Mode Off																																									
	S/W Reset						Idle Mode Off																																									
	H/W Reset						Idle Mode Off																																									



10.1.30 COLMOD (3Ah): Interface Pixel Format

3AH	COLMOD (3Ah): Interface Pixel Format																											
Inst / Para	D/CX	WRX	RDX	D17-8	D7	D6	D5	D4	D3	D2	D1	D0	HEX															
COLMOD	0	↑	1	-	0	0	1	1	1	0	1	0	(3Ah)															
Parameter	1	↑	1	-	-	-	-	-	-	IFPF2	IFPF1	IFPF0																
Description	<p>This command is used to define the format of RGB picture data, which is to be transferred via the MCU interface. The formats are shown in the table:</p> <table border="1"> <thead> <tr> <th>IFPF[2:0]</th> <th></th> <th>MCU Interface Color Format</th> </tr> </thead> <tbody> <tr> <td>011</td> <td>3</td> <td>12-bit/pixel</td> </tr> <tr> <td>101</td> <td>5</td> <td>16-bit/pixel</td> </tr> <tr> <td>110</td> <td>6</td> <td>18-bit/pixel</td> </tr> <tr> <td>111</td> <td>7</td> <td>No used</td> </tr> </tbody> </table> <p><i>Note1: In 12-bit/Pixel, 16-bit/Pixel or 18-bit/Pixel mode, the LUT is applied to transfer data into the Frame Memory.</i> <i>Note2: The Command 3Ah should be set at 55h when writing 16-bit/pixel data into frame memory, but 3Ah should be re-set to 66h when reading pixel data from frame memory. Please check the LUT in chapter 9.17 when using memory read function.</i></p>													IFPF[2:0]		MCU Interface Color Format	011	3	12-bit/pixel	101	5	16-bit/pixel	110	6	18-bit/pixel	111	7	No used
	IFPF[2:0]		MCU Interface Color Format																									
011	3	12-bit/pixel																										
101	5	16-bit/pixel																										
110	6	18-bit/pixel																										
111	7	No used																										
Register Availability	<table border="1"> <thead> <tr> <th>Status</th> <th>Availability</th> </tr> </thead> <tbody> <tr> <td>Normal Mode On, Idle Mode Off, Sleep Out</td> <td>Yes</td> </tr> <tr> <td>Normal Mode On, Idle Mode On, Sleep Out</td> <td>Yes</td> </tr> <tr> <td>Partial Mode On, Idle Mode Off, Sleep Out</td> <td>No</td> </tr> <tr> <td>Partial Mode On, Idle Mode On, Sleep Out</td> <td>No</td> </tr> <tr> <td>Sleep In</td> <td>Yes</td> </tr> </tbody> </table>													Status	Availability	Normal Mode On, Idle Mode Off, Sleep Out	Yes	Normal Mode On, Idle Mode On, Sleep Out	Yes	Partial Mode On, Idle Mode Off, Sleep Out	No	Partial Mode On, Idle Mode On, Sleep Out	No	Sleep In	Yes			
Status	Availability																											
Normal Mode On, Idle Mode Off, Sleep Out	Yes																											
Normal Mode On, Idle Mode On, Sleep Out	Yes																											
Partial Mode On, Idle Mode Off, Sleep Out	No																											
Partial Mode On, Idle Mode On, Sleep Out	No																											
Sleep In	Yes																											
Default	<table border="1"> <thead> <tr> <th>Status</th> <th colspan="2">Default Value</th> </tr> </thead> <tbody> <tr> <td></td> <td>IFPF[2:0]</td> <td>VIPF[3:0]</td> </tr> <tr> <td>Power On Sequence</td> <td>0110(18-bit/Pixel)</td> <td>0110(18-bit/Pixel)</td> </tr> <tr> <td>S/W Reset</td> <td>No Change</td> <td>No Change</td> </tr> <tr> <td>H/W Reset</td> <td>0110(18-bit/Pixel)</td> <td>0110(18-bit/Pixel)</td> </tr> </tbody> </table>													Status	Default Value			IFPF[2:0]	VIPF[3:0]	Power On Sequence	0110(18-bit/Pixel)	0110(18-bit/Pixel)	S/W Reset	No Change	No Change	H/W Reset	0110(18-bit/Pixel)	0110(18-bit/Pixel)
Status	Default Value																											
	IFPF[2:0]	VIPF[3:0]																										
Power On Sequence	0110(18-bit/Pixel)	0110(18-bit/Pixel)																										
S/W Reset	No Change	No Change																										
H/W Reset	0110(18-bit/Pixel)	0110(18-bit/Pixel)																										
Flow Chart	<div style="display: flex; align-items: center;"> <div style="flex: 1;"> <pre> graph TD A([18-bit/Pixel Mode]) --> B[/COLMOD/] B --> C[/1st Parameter/] C --> D([16-bit/Pixel Mode]) </pre> </div> <div style="flex: 1; border: 1px dashed black; padding: 5px;"> <p>Legend</p> <ul style="list-style-type: none"> Command Parameter Display Action Mode Sequential transfer </div> </div>																											

10.1.31 RDID1 (DAh): Read ID1 Value

DAH	RDID1 (Read ID1 Value)																								
Inst / Para	D/CX	WRX	RDX	D17-8	D7	D6	D5	D4	D3	D2	D1	D0	HEX												
RDID1	0	↑	1	-	1	1	0	1	1	0	1	0	(DAh)												
1st parameter	1	1	↑	-	-	-	-	-	-	-	-	-	-												
2nd parameter	1	1	↑	-	ID17	ID16	ID15	ID14	ID13	ID12	ID11	ID10													
Description	-This read byte returns 8-bit LCD module's manufacturer ID -The 1st parameter is dummy data -The 2nd parameter (ID17 to ID10): LCD module's manufacturer ID. NOTE: See command RDDID (04h), 2nd parameter.																								
Register Availability	<table border="1"> <thead> <tr> <th>Status</th> <th>Availability</th> </tr> </thead> <tbody> <tr> <td>Normal Mode On, Idle Mode Off, Sleep Out</td> <td>Yes</td> </tr> <tr> <td>Normal Mode On, Idle Mode On, Sleep Out</td> <td>Yes</td> </tr> <tr> <td>Partial Mode On, Idle Mode Off, Sleep Out</td> <td>No</td> </tr> <tr> <td>Partial Mode On, Idle Mode On, Sleep Out</td> <td>No</td> </tr> <tr> <td>Sleep In</td> <td>Yes</td> </tr> </tbody> </table>													Status	Availability	Normal Mode On, Idle Mode Off, Sleep Out	Yes	Normal Mode On, Idle Mode On, Sleep Out	Yes	Partial Mode On, Idle Mode Off, Sleep Out	No	Partial Mode On, Idle Mode On, Sleep Out	No	Sleep In	Yes
Status	Availability																								
Normal Mode On, Idle Mode Off, Sleep Out	Yes																								
Normal Mode On, Idle Mode On, Sleep Out	Yes																								
Partial Mode On, Idle Mode Off, Sleep Out	No																								
Partial Mode On, Idle Mode On, Sleep Out	No																								
Sleep In	Yes																								
Default	<table border="1"> <thead> <tr> <th>Status</th> <th>Default Value</th> </tr> </thead> <tbody> <tr> <td>Power On Sequence</td> <td>-</td> </tr> <tr> <td>S/W Reset</td> <td>-</td> </tr> <tr> <td>H/W Reset</td> <td>-</td> </tr> </tbody> </table>													Status	Default Value	Power On Sequence	-	S/W Reset	-	H/W Reset	-				
Status	Default Value																								
Power On Sequence	-																								
S/W Reset	-																								
H/W Reset	-																								
Flow Chart	<div style="display: flex; justify-content: space-around;"> <div style="text-align: center;"> <p>Serial I/F Mode</p> <pre> graph TD A[Read ID1] --> B[/Send 2nd parameter/] </pre> </div> <div style="text-align: center;"> <p>Parallel I/F Mode</p> <pre> graph TD A[Read ID1] --> B[/Dummy Read/] B --> C[/Send 2nd parameter/] </pre> </div> </div> <div style="border: 1px dashed black; padding: 10px; margin-top: 20px;"> <p>Legend</p> <ul style="list-style-type: none"> Command Parameter Display Action Mode Sequential transfer </div>																								

10.1.32 RDID2 (DBh): Read ID2 Value

DBH	RDID2 (Read ID2 Value)																											
Inst / Para	D/CX	WRX	RDX	D17-8	D7	D6	D5	D4	D3	D2	D1	D0	HEX															
RDID2	0	↑	1	-	1	1	0	1	1	0	1	1	(DBh)															
1 st parameter	1	1	↑	-	-	-	-	-	-	-	-	-	-															
2 nd parameter	1	1	↑	-	1	ID26	ID25	ID24	ID23	ID22	ID21	ID20																
Description	-This read byte returns 8-bit LCD module/driver version ID -The 1st parameter is dummy data -The 2nd parameter (ID26 to ID20): LCD module/driver version ID -Parameter Range: ID=80h to FFh																											
	<table border="1"> <thead> <tr> <th>ID26 to ID20</th> <th>Version</th> <th>Changes</th> </tr> </thead> <tbody> <tr> <td>80h</td> <td></td> <td></td> </tr> <tr> <td>81h</td> <td></td> <td></td> </tr> <tr> <td>82h</td> <td></td> <td></td> </tr> <tr> <td>83h</td> <td></td> <td></td> </tr> </tbody> </table>													ID26 to ID20	Version	Changes	80h			81h			82h			83h		
	ID26 to ID20	Version	Changes																									
	80h																											
	81h																											
82h																												
83h																												
NOTE: See command RDDID (04h), 3rd parameter.																												
Register Availability	<table border="1"> <thead> <tr> <th>Status</th> <th>Availability</th> </tr> </thead> <tbody> <tr> <td>Normal Mode On, Idle Mode Off, Sleep Out</td> <td>Yes</td> </tr> <tr> <td>Normal Mode On, Idle Mode On, Sleep Out</td> <td>Yes</td> </tr> <tr> <td>Partial Mode On, Idle Mode Off, Sleep Out</td> <td>No</td> </tr> <tr> <td>Partial Mode On, Idle Mode On, Sleep Out</td> <td>No</td> </tr> <tr> <td>Sleep In</td> <td>Yes</td> </tr> </tbody> </table>													Status	Availability	Normal Mode On, Idle Mode Off, Sleep Out	Yes	Normal Mode On, Idle Mode On, Sleep Out	Yes	Partial Mode On, Idle Mode Off, Sleep Out	No	Partial Mode On, Idle Mode On, Sleep Out	No	Sleep In	Yes			
	Status	Availability																										
	Normal Mode On, Idle Mode Off, Sleep Out	Yes																										
	Normal Mode On, Idle Mode On, Sleep Out	Yes																										
	Partial Mode On, Idle Mode Off, Sleep Out	No																										
Partial Mode On, Idle Mode On, Sleep Out	No																											
Sleep In	Yes																											
Default	<table border="1"> <thead> <tr> <th>Status</th> <th>Default Value</th> </tr> </thead> <tbody> <tr> <td>Power On Sequence</td> <td>NV Value</td> </tr> <tr> <td>S/W Reset</td> <td>NV Value</td> </tr> <tr> <td>H/W Reset</td> <td>NV Value</td> </tr> </tbody> </table>													Status	Default Value	Power On Sequence	NV Value	S/W Reset	NV Value	H/W Reset	NV Value							
	Status	Default Value																										
	Power On Sequence	NV Value																										
	S/W Reset	NV Value																										
H/W Reset	NV Value																											
Flow Chart	<div style="display: flex; justify-content: space-around;"> <div style="text-align: center;"> <p>Serial I/F Mode</p> </div> <div style="text-align: center;"> <p>Parallel I/F Mode</p> </div> </div> <div style="text-align: center; margin-top: 10px;"> <p>Host Display</p> </div> <div style="border: 1px dashed black; padding: 10px; margin-top: 20px;"> <p>Legend</p> <ul style="list-style-type: none"> Command Parameter Display Action Mode Sequential transfer </div>																											

10.1.33 RDID3 (DCh): Read ID3 Value

DCH	RDID3 (Read ID2 Value)																								
Inst / Para	D/CX	WRX	RDX	D17-8	D7	D6	D5	D4	D3	D2	D1	D0	HEX												
RDID3	0	↑	1	-	1	1	0	1	1	1	0	0	(DCh)												
1 st parameter	1	1	↑	-	-	-	-	-	-	-	-	-	-												
2 nd parameter	1	1	↑	-	ID37	ID36	ID35	ID34	ID33	ID32	ID31	ID30													
Description	-This read byte returns 8-bit LCD module/driver ID. -The 1st parameter is dummy data -The 2nd parameter (ID37 to ID30): LCD module/driver ID. NOTE: See command RDDID (04h), 4th parameter.																								
Register Availability	<table border="1"> <thead> <tr> <th>Status</th> <th>Availability</th> </tr> </thead> <tbody> <tr> <td>Normal Mode On, Idle Mode Off, Sleep Out</td> <td>Yes</td> </tr> <tr> <td>Normal Mode On, Idle Mode On, Sleep Out</td> <td>Yes</td> </tr> <tr> <td>Partial Mode On, Idle Mode Off, Sleep Out</td> <td>No</td> </tr> <tr> <td>Partial Mode On, Idle Mode On, Sleep Out</td> <td>No</td> </tr> <tr> <td>Sleep In</td> <td>Yes</td> </tr> </tbody> </table>													Status	Availability	Normal Mode On, Idle Mode Off, Sleep Out	Yes	Normal Mode On, Idle Mode On, Sleep Out	Yes	Partial Mode On, Idle Mode Off, Sleep Out	No	Partial Mode On, Idle Mode On, Sleep Out	No	Sleep In	Yes
Status	Availability																								
Normal Mode On, Idle Mode Off, Sleep Out	Yes																								
Normal Mode On, Idle Mode On, Sleep Out	Yes																								
Partial Mode On, Idle Mode Off, Sleep Out	No																								
Partial Mode On, Idle Mode On, Sleep Out	No																								
Sleep In	Yes																								
Default	<table border="1"> <thead> <tr> <th>Status</th> <th>Default Value</th> </tr> </thead> <tbody> <tr> <td>Power On Sequence</td> <td>NV Value</td> </tr> <tr> <td>SW Reset</td> <td>NV Value</td> </tr> <tr> <td>H/W Reset</td> <td>NV Value</td> </tr> </tbody> </table>													Status	Default Value	Power On Sequence	NV Value	SW Reset	NV Value	H/W Reset	NV Value				
Status	Default Value																								
Power On Sequence	NV Value																								
SW Reset	NV Value																								
H/W Reset	NV Value																								
Flow Chart	<div style="display: flex; justify-content: space-around;"> <div style="text-align: center;"> <p>Serial I/F Mode</p> </div> <div style="text-align: center;"> <p>Parallel I/F Mode</p> </div> </div> <p style="text-align: center; margin-top: 10px;">Host Display</p> <div style="border: 1px dashed black; padding: 10px; margin-top: 20px;"> <p>Legend</p> <ul style="list-style-type: none"> Command Parameter Display Action Mode Sequential transfer </div>																								

10.2 Panel Function Command List and Description

Table 10.2.1 Panel Function Command List (1)

Instruction	Refer	D/CX	WRX	RDX	D23-8	D7	D6	D5	D4	D3	D2	D1	D0	Hex	Function
FRMCTR1	10.2.1	0	↑	1	-	1	0	1	1	0	0	0	1	(B1h)	In normal mode (Full colors)
		1	↑	1	-					RTNA3	RTNA2	RTNA1	RTNA0		RTNA set 1-line period FPA: front porch BPA: back porch
		1	↑	1	-			FPA5	FPA4	FPA3	FPA2	FPA1	FPA0		
		1	↑	1	-			BPA5	BPA4	BPA3	BPA2	BPA1	BPA0		
FRMCTR2	10.2.2	0	↑	1	-	1	0	1	1	0	0	1	0	(B2h)	In Idle mode (8-colors)
		1	↑	1	-					RTNB3	RTNB2	RTNB1	RTNB0		RTNB: set 1-line period FPB: front porch BPB: back porch
		1	↑	1	-			FPB5	FPB4	FPB3	FPB2	FPB1	FPB0		
		1	↑	1	-			BPB5	BPB4	BPB3	BPB2	BPB1	BPB0		
FRMCTR3	10.2.3	0	↑	1	-	1	0	1	1	0	0	1	1	(B3h)	In partial mode + Full colors
		1	↑	1	-					RTNC3	RTNC2	RTNC1	RTNC0		RTNC,RTND: set 1-line period FPC,FPD: front porch BPC,BPD: back porch
		1	↑	1	-			FPC5	FPC4	FPC3	FPC2	FPC1	FPC0		
		1	↑	1	-			BPC5	BPC4	BPC3	BPC2	BPC1	BPC0		
		1	↑	1	-					RTND3	RTND2	RTND1	RTND0		
		1	↑	1	-			FPD5	FPD4	FPD3	FPD2	FPD1	FPD0		
		1	↑	1	-			BPD5	BPD4	BPD3	BPD2	BPD1	BPD0		
INVCTR	10.2.4	0	↑	1	-	1	0	1	1	0	1	0	0	(B4h)	Display inversion control
		1	↑	1	-	0	0	0	0	0	NLA	NLB	NLC		NLA,NLB,NLC set inversion

ST7735R

Table 10.2.2 Panel Function Command List (2)

Instruction	Refer	D/CX	WRX	RDX	D17-8	D7	D6	D5	D4	D3	D2	D1	D0	Hex	Function
PWCTR1	10.2.5	0	↑	1	-	1	1	0	0	0	0	0	0	(C0h)	Power control setting
		1	↑	1	-	AVDD[2]	AVDD[1]	AVDD[0]	VRHP4	VRHP3	VRHP2	VRHP1	VRHP0		VRH: Set the GVDD voltage
		1	↑	1	-	0	0	0	VRHN4	VRHN3	VRHN2	VRHN1	VRHN0		
		1	↑	1		MODE[1]	MODE[0]	0	0	0	1	0	0		
PWCTR2	10.2.6	0	↑	1	-	1	1	0	0	0	0	0	1	(C1h)	Power control setting
		1	↑	1	-	VGH25[1]	VGH25[0]	-	-	VGLSEL[1]	VGLSEL[0]	VGHBT[1]	VGHBT[0]		BT: set VGH/ VGL voltage
PWCTR3	10.2.7	0	↑	1	-	1	1	0	0	0	0	1	0	(C2h)	In normal mode (Full colors)
		1	↑	1	-	DCA9	DCA8	SAPA2	SAPA1	SAPA0	APA2	APA1	APA0		APA: adjust the operational amplifier DCA: adjust the booster Voltage
PWCTR4	10.2.8	0	↑	1	-	1	1	0	0	0	0	1	1	(C3h)	In Idle mode (8-colors)
		1	↑	1	-	DCB9	DCB8	SAPB2	SAPB1	SAPB0	APB2	APB1	APB0		APB: adjust the operational amplifier DCB: adjust the booster Voltage
PWCTR5	10.2.9	0	↑	1	-	1	1	0	0	0	1	0	0	(C4h)	In partial mode + Full
		1	↑	1	-	DCC9	DCC8	SAPC2	SAPC1	SAPC0	APC2	APC1	APC0		APC: adjust the operational amplifier DCC: adjust the booster circuit for Idle mode
		1	↑	1	-	DCC7	DCC6	DCC5	DCC4	DCC3	DCC2	DCC1	DCC0		
VMCTR1	10.2.10	0	↑	1	-	1	1	0	0	0	1	0	1	(C5h)	VCOM control 1
		1	↑	1	-	-	-	VCOMS5	VCOMS4	VCOMS3	VCOMS2	VCOMS1	VCOMS0		VCOM voltage control
VMOFCTR	10.2.11	0	↑	1	-	1	1	0	0	0	1	1	1	(C7h)	Set VCOM offset control
		1	↑	1	-	-	-	-	VMF4	VMF3	VMF2	VMF1	VMF0		
WRID2	10.2.12	0	↑	1	-	1	1	0	1	0	0	0	1	(D1h)	Set LCM version code
		1	↑	1	-	-	ID2[6]	ID2[5]	ID2[4]	ID2[3]	ID2[2]	ID2[1]	ID2[0]		

"-": Don't care

Note 1: C0h to C7h are fixed for about power controller

ST7735R

Table 10.2.3 Panel Function Command List (3)

Instruction	Refer	D/CX	WRX	RDX	D17-8	D7	D6	D5	D4	D3	D2	D1	D0	Hex	Function
WRID3	10.2.13	0	↑	1	-	1	1	0	1	0	0	1	0	(D2h)	Customer Project code
		1	↑	1	-	ID37	ID36	ID35	ID34	ID33	ID32	ID31	ID30		Set the project code at ID3
NVCTR1	10.2.14	0	↑	1	-	1	1	0	1	1	0	0	1	(D9)	NVM control status
		1	↑	1	-	0	VMF_EN	ID2_EN	0	0	0	0	EXT_R		
NVCTR2	10.2.15	0	↑	1	-	1	1	0	1	1	1	1	0	(DEh)	NVM Read Command
		1	↑	1	-	1	0	1	0	0	1	0	1	A5	Action code
NVCTR3	10.2.16	0	↑	1	-	1	1	0	1	1	1	1	1	(DFh)	NVM Write Command
		1	↑	1	-	NVM_IB7	NVM_IB6	NVM_IB5	NVM_IB4	NVM_IB3	NVM_IB2	NVM_IB1	NVM_IB0		
		1	↑	1	-	NVM_CMD7	NVM_CMD6	NVM_CMD5	NVM_CMD4	NVM_CMD3	NVM_CMD2	NVM_CMD1	NVM_CMD0		
		1	↑	1	-	1	0	1	0	0	1	0	1	A5	

"-": Don't care

Note 1: The D1h to D3h registers are fixed for about ID code setting.

Note 2: The D9h, DEh and DFh registers are used for NV Memory function controller. (Ex: write, clear, etc.)

ST7735R

Table 10.2.4 Panel Function Command List (4)

Instruction	Refer	D/CX	WRX	RDX	D17-8	D7	D6	D5	D4	D3	D2	D1	D0	Hex	Function
GAMCTRP1	10.2.17	0	↑	1	-	1	1	1	0	0	0	0	0	(E0h)	Set
		1	↑	1	-	---	---	VRFP[5]	VRFP[4]	VRFP[3]	VRFP[2]	VRFP[1]	VRFP[0]	Gamma adjustment (+ polarity)	
		1	↑	1	-	---	---	VOS0P[5]	VOS0P[4]	VOS0P[3]	VOS0P[2]	VOS0P[1]	VOS0P[0]		
		1	↑	1	-	---	---	PKP0[5]	PKP0[4]	PKP0[3]	PKP0[2]	PKP0[1]	PKP0[0]		
		1	↑	1	-	---	---	PKP1[5]	PKP1[4]	PKP1[3]	PKP1[2]	PKP1[1]	PKP1[0]		
		1	↑	1	-	---	---	PKP2[5]	PKP2[4]	PKP2[3]	PKP2[2]	PKP2[1]	PKP2[0]		
		1	↑	1	-	---	---	PKP3[5]	PKP3[4]	PKP3[3]	PKP3[2]	PKP3[1]	PKP3[0]		
		1	↑	1	-	---	---	PKP4[5]	PKP4[4]	PKP4[3]	PKP4[2]	PKP4[1]	PKP4[0]		
		1	↑	1	-	---	---	PKP5[5]	PKP5[4]	PKP5[3]	PKP5[2]	PKP5[1]	PKP5[0]		
		1	↑	1	-	---	---	PKP6[5]	PKP6[4]	PKP6[3]	PKP6[2]	PKP6[1]	PKP6[0]		
		1	↑	1	-	---	---	PKP7[5]	PKP7[4]	PKP7[3]	PKP7[2]	PKP7[1]	PKP7[0]		
		1	↑	1	-	---	---	PKP8[5]	PKP8[4]	PKP8[3]	PKP8[2]	PKP8[1]	PKP8[0]		
		1	↑	1	-	---	---	PKP9[5]	PKP9[4]	PKP9[3]	PKP9[2]	PKP9[1]	PKP9[0]		
		1	↑	1	-	---	---	SELV0P[5]	SELV0P[4]	SELV0P[3]	SELV0P[2]	SELV0P[1]	SELV0P[0]		
		1	↑	1	-	---	---	SELV1P[5]	SELV1P[4]	SELV1P[3]	SELV1P[2]	SELV1P[1]	SELV1P[0]		
		1	↑	1	-	---	---	SELV62P[5]	SELV62P[4]	SELV62P[3]	SELV62P[2]	SELV62P[1]	SELV62P[0]		
1	↑	1	-	---	---	SELV63P[5]	SELV63P[4]	SELV63P[3]	SELV63P[2]	SELV63P[1]	SELV63P[0]				
GAMCTRN1	10.2.18	0	↑	1	-	1	1	1	0	0	0	0	1	(E1h)	Set
		1	↑	1	-	---	---	VRF0N[5]	VRF0N[4]	VRF0N[3]	VRF0N[2]	VRF0N[1]	VRF0N[0]	Gamma adjustment (- polarity)	
		1	↑	1	-	---	---	VOS0N[5]	VOS0N[4]	VOS0N[3]	VOS0N[2]	VOS0N[1]	VOS0N[0]		
		1	↑	1	-	---	---	PKN0[5]	PKN0[4]	PKN0[3]	PKN0[2]	PKN0[1]	PKN0[0]		
		1	↑	1	-	---	---	PKN1[5]	PKN1[4]	PKN1[3]	PKN1[2]	PKN1[1]	PKN1[0]		
		1	↑	1	-	---	---	PKN2[5]	PKN2[4]	PKN2[3]	PKN2[2]	PKN2[1]	PKN2[0]		
		1	↑	1	-	---	---	PKN3[5]	PKN3[4]	PKN3[3]	PKN3[2]	PKN3[1]	PKN3[0]		
		1	↑	1	-	---	---	PKN4[5]	PKN4[4]	PKN4[3]	PKN4[2]	PKN4[1]	PKN4[0]		
		1	↑	1	-	---	---	PKN5[5]	PKN5[4]	PKN5[3]	PKN5[2]	PKN5[1]	PKN5[0]		
		1	↑	1	-	---	---	PKN6[5]	PKN6[4]	PKN6[3]	PKN6[2]	PKN6[1]	PKN6[0]		
		1	↑	1	-	---	---	PKN7[5]	PKN7[4]	PKN7[3]	PKN7[2]	PKN7[1]	PKN7[0]		
		1	↑	1	-	---	---	PKN8[5]	PKN8[4]	PKN8[3]	PKN8[2]	PKN8[1]	PKN8[0]		
		1	↑	1	-	---	---	PKN9[5]	PKN9[4]	PKN9[3]	PKN9[2]	PKN9[1]	PKN9[0]		
		1	↑	1	-	---	---	SELV0N[5]	SELV0N[4]	SELV0N[3]	SELV0N[2]	SELV0N[1]	SELV0N[0]		
		1	↑	1	-	---	---	SELV1N[5]	SELV1N[4]	SELV1N[3]	SELV1N[2]	SELV1N[1]	SELV1N[0]		
		1	↑	1	-	---	---	SELV62N[5]	SELV62N[4]	SELV62N[3]	SELV62N[2]	SELV62N[1]	SELV62N[0]		
1	↑	1	-	---	---	SELV63N[5]	SELV63N[4]	SELV63N[3]	SELV63N[2]	SELV63N[1]	SELV63N[0]				

“-”: Don't care

Note 1: E0-E1 registers are fixed for adjusting Gamma

10.2.1 FRMCTR1 (B1h): Frame Rate Control (In normal mode/ Full colors)

B1H	FRMCTR1 (Frame Rate Control)																											
Inst / Para	D/CX	WRX	RDX	D17-8	D7	D6	D5	D4	D3	D2	D1	D0	HEX															
FRMCTR1	0	↑	1	-	1	0	1	1	0	0	0	1	(B1h)															
1 st parameter	1	↑	1	-	-	-	-	-	RTNA3	RTNA2	RTNA1	RTNA0																
2 nd parameter	1	↑	1	-	-	-	FPA5	FPA4	FPA3	FPA2	FPA1	FPA0																
3 rd parameter	1	↑	1	-	-	-	BPA5	BPA4	BPA3	BPA2	BPA1	BPA0																
Description	-Set the frame frequency of the full colors normal mode. - Frame rate=fosc/((RTNA x 2 + 40) x (LINE + FPA + BPA)) -fosc = 625kHz																											
Default	<table border="1"> <thead> <tr> <th>Status</th> <th colspan="2">Default Value</th> </tr> </thead> <tbody> <tr> <td></td> <td>GM[1:0] = "00"</td> <td>GM[1:0] = "11"</td> </tr> <tr> <td>Power On Sequence</td> <td>01h/2Ch/2Dh</td> <td>01h/2Ch/2Bh</td> </tr> <tr> <td>S/W Reset</td> <td>01h/2Ch/2Dh</td> <td>01h/2Ch/2Bh</td> </tr> <tr> <td>H/W Reset</td> <td>01h/2Ch/2Dh</td> <td>01h/2Ch/2Bh</td> </tr> </tbody> </table>													Status	Default Value			GM[1:0] = "00"	GM[1:0] = "11"	Power On Sequence	01h/2Ch/2Dh	01h/2Ch/2Bh	S/W Reset	01h/2Ch/2Dh	01h/2Ch/2Bh	H/W Reset	01h/2Ch/2Dh	01h/2Ch/2Bh
Status	Default Value																											
	GM[1:0] = "00"	GM[1:0] = "11"																										
Power On Sequence	01h/2Ch/2Dh	01h/2Ch/2Bh																										
S/W Reset	01h/2Ch/2Dh	01h/2Ch/2Bh																										
H/W Reset	01h/2Ch/2Dh	01h/2Ch/2Bh																										
Flow Chart	<div style="display: flex; align-items: center; justify-content: center;"> <div style="text-align: center; margin-right: 20px;"> <pre> graph TD A[FRMCTR1] --> B[/1st Parameter 2nd parameter/] </pre> </div> <div style="border: 1px dashed black; padding: 10px;"> <p>Legend</p> <ul style="list-style-type: none"> Command Parameter Display Action Mode Sequential transter </div> </div>																											

10.2.2 FRMCTR2 (B2h): Frame Rate Control (In Idle mode/ 8-colors)

B2H	FRMCTR2 (Frame Rate Control)												HEX															
Inst / Para	D/CX	WRX	RDX	D17-8	D7	D6	D5	D4	D3	D2	D1	D0																
FRMCTR2	0	↑	1	-	1	0	1	1	0	0	1	0	(B2h)															
1 st parameter	1	↑	1	-	-	-	-	-	RTNB3	RTNB2	RTNB1	RTNB0																
2 nd parameter	1	↑	1	-	-	-	FPB5	FPB4	FPB3	FPB2	FPB1	FPB0																
3 rd parameter	1	↑	1	-	-	-	BPB5	BPB4	BPB3	BPB2	BPB1	BPB0																
Description	-Set the frame frequency of the Idle mode. - Frame rate=fosc/((RTNB x 2 + 40) x (LINE + FPB + BPB)) -fosc = 625kHz																											
Default	<table border="1"> <thead> <tr> <th>Status</th> <th colspan="2">Default Value</th> </tr> </thead> <tbody> <tr> <td></td> <td>GM[1:0] = "00"</td> <td>GM[1:0] = "11"</td> </tr> <tr> <td>Power On Sequence</td> <td>01h/2Ch/2Dh</td> <td>01h/2Ch/2Bh</td> </tr> <tr> <td>S/W Reset</td> <td>01h/2Ch/2Dh</td> <td>01h/2Ch/2Bh</td> </tr> <tr> <td>H/W Reset</td> <td>01h/2Ch/2Dh</td> <td>01h/2Ch/2Bh</td> </tr> </tbody> </table>													Status	Default Value			GM[1:0] = "00"	GM[1:0] = "11"	Power On Sequence	01h/2Ch/2Dh	01h/2Ch/2Bh	S/W Reset	01h/2Ch/2Dh	01h/2Ch/2Bh	H/W Reset	01h/2Ch/2Dh	01h/2Ch/2Bh
Status	Default Value																											
	GM[1:0] = "00"	GM[1:0] = "11"																										
Power On Sequence	01h/2Ch/2Dh	01h/2Ch/2Bh																										
S/W Reset	01h/2Ch/2Dh	01h/2Ch/2Bh																										
H/W Reset	01h/2Ch/2Dh	01h/2Ch/2Bh																										
Flow Chart	<div style="display: flex; align-items: center; justify-content: center;"> <div style="text-align: center; margin-right: 20px;"> <pre> graph TD A[FRMCTR2] --> B[/1st Parameter 2nd parameter/] </pre> </div> <div style="border: 1px dashed black; padding: 10px;"> <p>Legend</p> <ul style="list-style-type: none"> Command Parameter Display Action Mode Sequential transter </div> </div>																											

10.2.3 FRMCTR3 (B3h): Frame Rate Control (In Partial mode/ full colors)

B3H	FRMCTR3 (Frame Rate Control)																											
Inst / Para	D/CX	WRX	RDX	D17-8	D7	D6	D5	D4	D3	D2	D1	D0	HE															
FRMCTR3	0	↑	1	-	1	0	1	1	0	0	1	1	(B3															
1 st parameter	1	↑	1	-	-	-	-	-	RTNC	RTNC	RTNC	RTNC																
2 nd parameter	1	↑	1	-	-	-	FPC5	FPC4	FPC3	FPC2	FPC1	FPC0																
3 rd parameter	1	↑	1	-	-	-	BPC5	BPC4	BPC3	BPC2	BPC1	BPC0																
4 th parameter	1	↑	1	-	-	-	-	-	RTND	RTND	RTND	RTND																
5 th parameter	1	↑	1	-	-	-	FPD5	FPD4	FPD3	FPD2	FPD1	FPD0																
6 th parameter	1	↑	1	-	-	-	BPD5	BPD4	BPD3	BPD2	BPD1	BPD0																
Description	<p>-Set the frame frequency of the Partial mode/ full colors.</p> <p>- 1st parameter to 3rd parameter are used in dot inversion mode.</p> <p>- 4th parameter to 6th parameter are used in line inversion mode.</p> <p>- Frame rate=fosc/((RTNC x 2 + 40) x (LINE + FPC + BPC))</p> <p>-fosc = 625kHz</p>																											
Default	<table border="1"> <thead> <tr> <th>Status</th> <th colspan="2">Default Value</th> </tr> </thead> <tbody> <tr> <td></td> <td>GM[1:0] = "00"</td> <td>GM[1:0] = "11"</td> </tr> <tr> <td>Power On Sequence</td> <td>01h/2Ch/2Dh/01h/2Ch/2Dh</td> <td>01h/2Ch/2Bh/01h/2Ch/2Bh</td> </tr> <tr> <td>S/W Reset</td> <td>01h/2Ch/2Dh/01h/2Ch/2Dh</td> <td>01h/2Ch/2Bh/01h/2Ch/2Bh</td> </tr> <tr> <td>H/W Reset</td> <td>01h/2Ch/2Dh/01h/2Ch/2Dh</td> <td>01h/2Ch/2Bh/01h/2Ch/2Bh</td> </tr> </tbody> </table>													Status	Default Value			GM[1:0] = "00"	GM[1:0] = "11"	Power On Sequence	01h/2Ch/2Dh/01h/2Ch/2Dh	01h/2Ch/2Bh/01h/2Ch/2Bh	S/W Reset	01h/2Ch/2Dh/01h/2Ch/2Dh	01h/2Ch/2Bh/01h/2Ch/2Bh	H/W Reset	01h/2Ch/2Dh/01h/2Ch/2Dh	01h/2Ch/2Bh/01h/2Ch/2Bh
Status	Default Value																											
	GM[1:0] = "00"	GM[1:0] = "11"																										
Power On Sequence	01h/2Ch/2Dh/01h/2Ch/2Dh	01h/2Ch/2Bh/01h/2Ch/2Bh																										
S/W Reset	01h/2Ch/2Dh/01h/2Ch/2Dh	01h/2Ch/2Bh/01h/2Ch/2Bh																										
H/W Reset	01h/2Ch/2Dh/01h/2Ch/2Dh	01h/2Ch/2Bh/01h/2Ch/2Bh																										
Flow Chart	<div style="border: 1px dashed black; padding: 10px;"> <div style="text-align: center;"> <pre> graph TD A[FRMCTR3] --> B[1st Parameter 6nd parameter] </pre> </div> <div style="margin-top: 20px;"> <p>Legend</p> <ul style="list-style-type: none"> Command Parameter Display Action Mode Sequential transfer </div> </div>																											

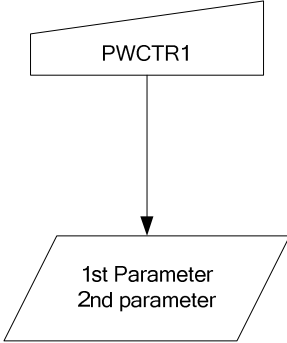


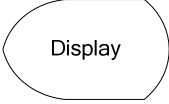



10.2.4 INVCTR (B4h): Display Inversion Control

B4H		INVCTR (Display Inversion Control)											
Inst / Para	D/CX	WRX	RDX	D17-8	D7	D6	D5	D4	D3	D2	D1	D0	HEX
INVCTR	0	↑	1	-	1	0	1	1	0	1	0	0	(B4h)
Parameter	1	↑	1	-	0	0	0	0	0	NLA	NLB	NLC	
Description	-Display Inversion mode control												
	-NLA: Inversion setting in full colors normal mode (Normal mode on)												
	NLA		Inversion setting in full Colors normal mode										
	0		Dot Inversion										
	1		Line Inversion										
	-NLB: Inversion setting in Idle mode (Idle mode on)												
NLB		Inversion setting in Idle mode											
0		Dot Inversion											
1		Line Inversion											
-NLC: Inversion setting in full colors partial mode (Partial mode on / Idle mode off)													
NLC		Inversion setting in full Colors partial mode											
0		Dot Inversion											
1		Line Inversion											
Default	Status		Default Value										
	Power On Sequence		03h										
	S/W Reset		03h										
	H/W Reset		03h										
Flow Chart	<pre> graph TD INVCTR[INVCTR] --> Param[/1st Parameter/] </pre>												
	<div style="border: 1px dashed black; padding: 5px;"> <p>Legend</p> <ul style="list-style-type: none"> Command Parameter Display Action Mode Sequential transfer </div>												

10.2.5 PWCTR1 (C0h): Power Control 1

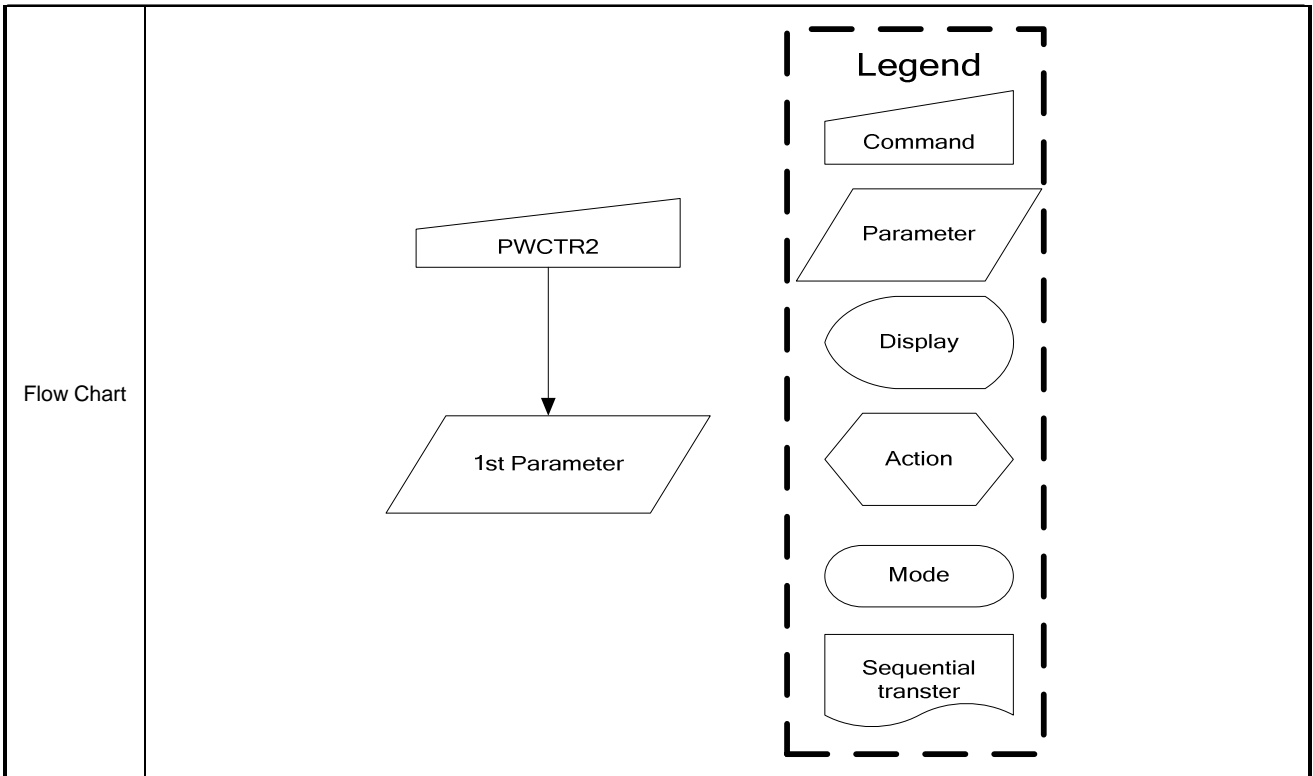
C0H	PWCTR1 (Power Control 1)												HEX
Inst / Para	D/CX	WRX	RDX	D17-8	D7	D6	D5	D4	D3	D2	D1	D0	HEX
PWCTR1	0	↑	1	-	1	1	0	0	0	0	0	0	(C0h)
1 st parameter	1	↑	1	-	AVDD[2]	AVDD[1]	AVDD[0]	VRHP4	VRHP3	VRHP2	VRHP1	VRHP0	
2 nd parameter	1	↑	1	-	0	0	0	VRHN4	VRHN3	VRHN2	VRHN1	VRHN0	
3 rd parameter	1	↑	1	-	MODE[1]	MODE[0]	0	0	0	1	0	0	
Description	AVDD[2:0]		AVDD			MODE[1:0]		FUNCTION					
	000		4.5			00		2X					
	001		4.6			01		3X					
	010		4.7			10		AUTO					
	011		4.8			11		3X					
	100		4.9										
	101		5										
	110		5.1										
	111		Don't use this setting, reserve for testing.										
	VRHP[4:0]		GVDD			VRHN[4:0]		GVCL					
	00000		4.7			00000		-4.7					
	00001		4.65			00001		-4.65					
	00010		4.6			00010		-4.6					
	00011		4.55			00011		-4.55					
	00100		4.5			00100		-4.5					
	00101		4.45			00101		-4.45					
	00110		4.4			00110		-4.4					
	00111		4.35			00111		-4.35					
	01000		4.3			01000		-4.3					
	01001		4.25			01001		-4.25					
	01010		4.2			01010		-4.2					
	01011		4.15			01011		-4.15					
	01100		4.1			01100		-4.1					
	01101		4.05			01101		-4.05					
	01110		4			01110		-4					
	01111		3.95			01111		-3.95					
	10000		3.9			10000		-3.9					
	10001		3.85			10001		-3.85					
	10010		3.8			10010		-3.8					
	10011		3.75			10011		-3.75					
	10100		3.7			10100		-3.7					
	10101		3.65			10101		-3.65					
	10110		3.6			10110		-3.6					
10111		3.55			10111		-3.55						
11000		3.5			11000		-3.5						
11001		3.45			11001		-3.45						
11010		3.4			11010		-3.4						
11011		3.35			11011		-3.35						
11100		3.3			11100		-3.3						
11101		3.25			11101		-3.25						
11110		3.2			11110		-3.2						
11111		3.15			11111		-3.15						

ST7735R

Register Availability	<table border="1"> <thead> <tr> <th>Status</th> <th>Availability</th> </tr> </thead> <tbody> <tr> <td>Normal Mode On, Idle Mode Off, Sleep Out</td> <td>Yes</td> </tr> <tr> <td>Normal Mode On, Idle Mode On, Sleep Out</td> <td>Yes</td> </tr> <tr> <td>Partial Mode On, Idle Mode Off, Sleep Out</td> <td>Yes</td> </tr> <tr> <td>Partial Mode On, Idle Mode On, Sleep Out</td> <td>Yes</td> </tr> <tr> <td>Sleep In</td> <td>Yes</td> </tr> </tbody> </table>	Status	Availability	Normal Mode On, Idle Mode Off, Sleep Out	Yes	Normal Mode On, Idle Mode On, Sleep Out	Yes	Partial Mode On, Idle Mode Off, Sleep Out	Yes	Partial Mode On, Idle Mode On, Sleep Out	Yes	Sleep In	Yes
Status	Availability												
Normal Mode On, Idle Mode Off, Sleep Out	Yes												
Normal Mode On, Idle Mode On, Sleep Out	Yes												
Partial Mode On, Idle Mode Off, Sleep Out	Yes												
Partial Mode On, Idle Mode On, Sleep Out	Yes												
Sleep In	Yes												
Default	<table border="1"> <thead> <tr> <th>Status</th> <th>Default Value</th> </tr> </thead> <tbody> <tr> <td></td> <td>C0h</td> </tr> <tr> <td>Power On Sequence</td> <td>82h/02h/84h</td> </tr> <tr> <td>S/W Reset</td> <td>82h/02h/84h</td> </tr> <tr> <td>H/W Reset</td> <td>82h/02h/84h</td> </tr> </tbody> </table>	Status	Default Value		C0h	Power On Sequence	82h/02h/84h	S/W Reset	82h/02h/84h	H/W Reset	82h/02h/84h		
Status	Default Value												
	C0h												
Power On Sequence	82h/02h/84h												
S/W Reset	82h/02h/84h												
H/W Reset	82h/02h/84h												
Flow Chart	<div style="display: flex; align-items: center; justify-content: center;"> <div style="text-align: center; margin-right: 20px;">  <pre> graph TD PWCTR1[/PWCTR1/] --> Param[/1st Parameter 2nd parameter/] </pre> </div> <div style="border: 1px dashed black; padding: 10px;"> <p>Legend</p> <ul style="list-style-type: none">  Command  Parameter  Display  Action  Mode  Sequential transfer </div> </div>												

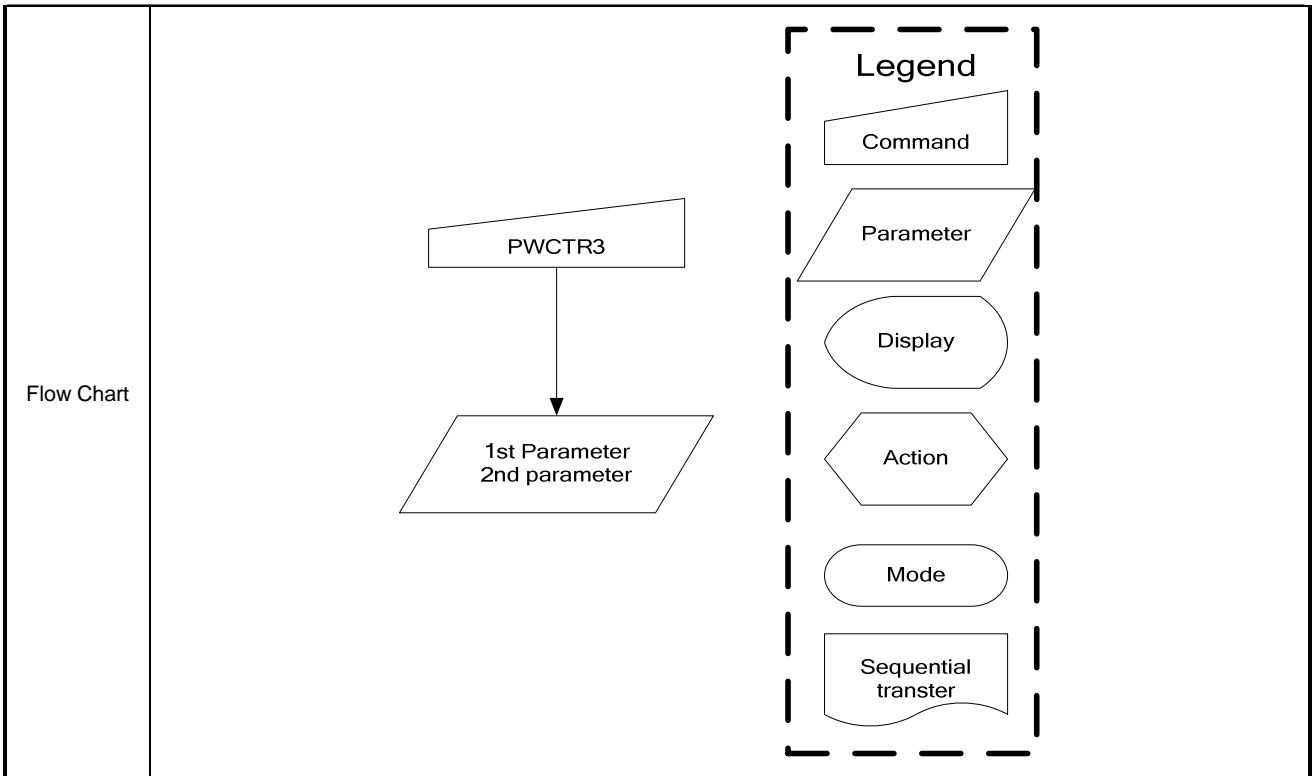
10.2.6 PWCTR2 (C1h): Power Control 2

C1H	PWCTR2 (Power Control 2)																								
Inst / Para	D/CX	WRX	RDX	D17-8	D7	D6	D5	D4	D3	D2	D1	D0	HEX												
PWCTR2	0	↑	1	-	1	1	0	0	0	0	0	1	(C1h)												
1 st parameter	1	↑	1		VGH25[1]	VGH25[0]	-	-	VGLSEL[1]	VGLSEL[0]	VGHBT[1]	VGHBT[0]													
Description	-Set the VGH and VGL supply power level																								
	<table border="1"> <thead> <tr> <th>VGH25[1:0]</th> <th>V25</th> </tr> </thead> <tbody> <tr> <td>00</td> <td>2.1</td> </tr> <tr> <td>01</td> <td>2.2</td> </tr> <tr> <td>10</td> <td>2.3</td> </tr> <tr> <td>11</td> <td>2.4</td> </tr> </tbody> </table>													VGH25[1:0]	V25	00	2.1	01	2.2	10	2.3	11	2.4		
	VGH25[1:0]	V25																							
	00	2.1																							
01	2.2																								
10	2.3																								
11	2.4																								
<table border="1"> <thead> <tr> <th>VGHBT[1:0]</th> <th>VGH</th> </tr> </thead> <tbody> <tr> <td>00</td> <td>2*AVDD+VGH25</td> </tr> <tr> <td>01</td> <td>3*AVDD</td> </tr> <tr> <td>10</td> <td>3*AVDD+VGH25</td> </tr> <tr> <td>11</td> <td>Don't use this setting, reserve for testing.</td> </tr> </tbody> </table>													VGHBT[1:0]	VGH	00	2*AVDD+VGH25	01	3*AVDD	10	3*AVDD+VGH25	11	Don't use this setting, reserve for testing.			
VGHBT[1:0]	VGH																								
00	2*AVDD+VGH25																								
01	3*AVDD																								
10	3*AVDD+VGH25																								
11	Don't use this setting, reserve for testing.																								
<table border="1"> <thead> <tr> <th>VGLSEL[1:0]</th> <th>VGL</th> </tr> </thead> <tbody> <tr> <td>00</td> <td>-7.5</td> </tr> <tr> <td>01</td> <td>-10</td> </tr> <tr> <td>10</td> <td>-12.5</td> </tr> <tr> <td>11</td> <td>-13</td> </tr> </tbody> </table>													VGLSEL[1:0]	VGL	00	-7.5	01	-10	10	-12.5	11	-13			
VGLSEL[1:0]	VGL																								
00	-7.5																								
01	-10																								
10	-12.5																								
11	-13																								
Restriction	-The deviation value of VGH/ VGL between with Measurement and Specification: Max <= 1V -VGH-VGL <= 32V																								
Register Availability	<table border="1"> <thead> <tr> <th>Status</th> <th>Availability</th> </tr> </thead> <tbody> <tr> <td>Normal Mode On, Idle Mode Off, Sleep Out</td> <td>Yes</td> </tr> <tr> <td>Normal Mode On, Idle Mode On, Sleep Out</td> <td>Yes</td> </tr> <tr> <td>Partial Mode On, Idle Mode Off, Sleep Out</td> <td>Yes</td> </tr> <tr> <td>Partial Mode On, Idle Mode On, Sleep Out</td> <td>Yes</td> </tr> <tr> <td>Sleep In</td> <td>Yes</td> </tr> </tbody> </table>													Status	Availability	Normal Mode On, Idle Mode Off, Sleep Out	Yes	Normal Mode On, Idle Mode On, Sleep Out	Yes	Partial Mode On, Idle Mode Off, Sleep Out	Yes	Partial Mode On, Idle Mode On, Sleep Out	Yes	Sleep In	Yes
Status	Availability																								
Normal Mode On, Idle Mode Off, Sleep Out	Yes																								
Normal Mode On, Idle Mode On, Sleep Out	Yes																								
Partial Mode On, Idle Mode Off, Sleep Out	Yes																								
Partial Mode On, Idle Mode On, Sleep Out	Yes																								
Sleep In	Yes																								
Default	<table border="1"> <thead> <tr> <th>Status</th> <th>Default Value</th> </tr> </thead> <tbody> <tr> <td></td> <td>C1h</td> </tr> <tr> <td>Power On Sequence</td> <td>C5h</td> </tr> <tr> <td>S/W Reset</td> <td>C5h</td> </tr> <tr> <td>H/W Reset</td> <td>C5h</td> </tr> </tbody> </table>													Status	Default Value		C1h	Power On Sequence	C5h	S/W Reset	C5h	H/W Reset	C5h		
Status	Default Value																								
	C1h																								
Power On Sequence	C5h																								
S/W Reset	C5h																								
H/W Reset	C5h																								



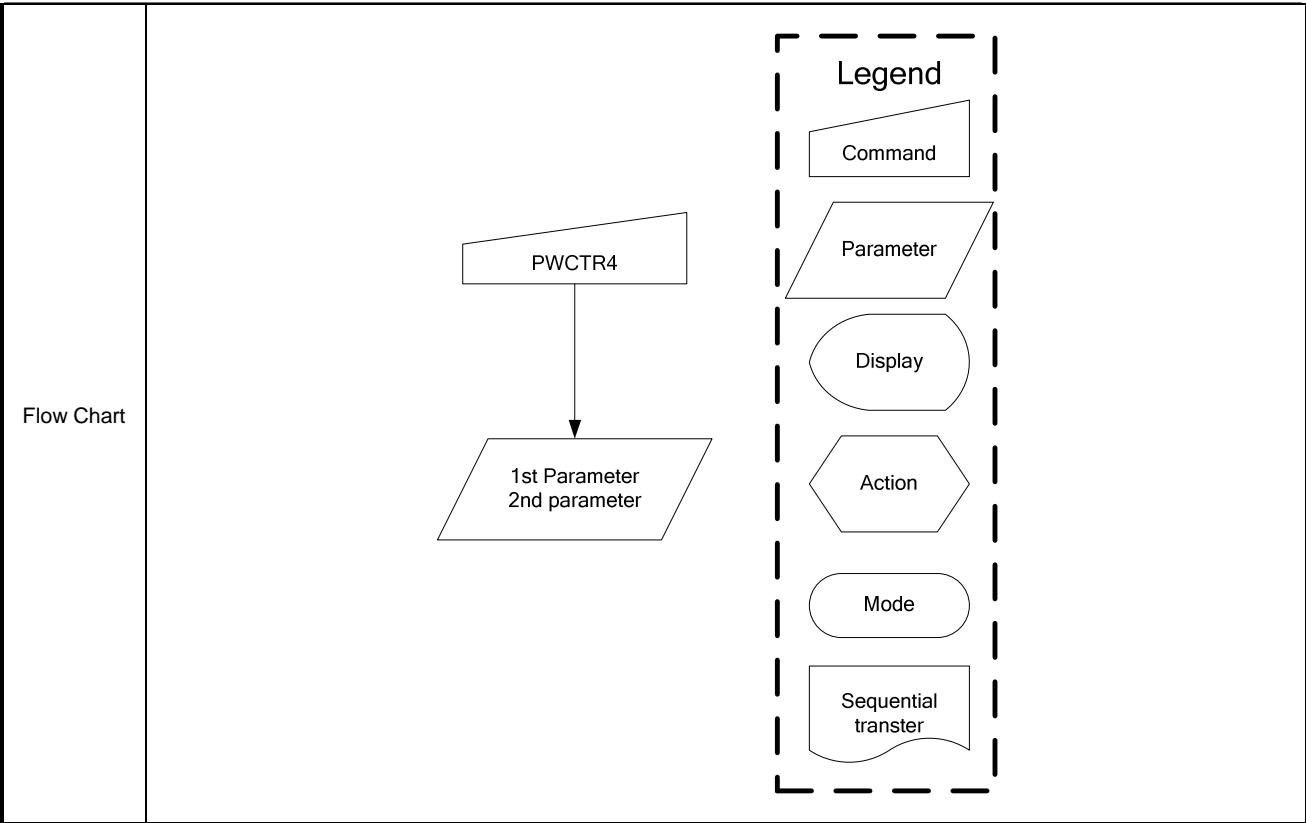
10.2.7 PWCTR3 (C2h): Power Control 3 (in Normal mode/ Full colors)

C2H	PWCTR3 (Power Control 3)																																																
Inst / Para	D/CX	WRX	RDX	D17-8	D7	D6	D5	D4	D3	D2	D1	D0	HEX																																				
PWCTR3	0	↑	1	-	1	1	0	0	0	0	1	0	(C2h)																																				
1 st parameter	1	↑	1	-	DCA9	DCA8	SAPA2	SAPA1	SAPA0	APA2	APA1	APA0																																					
2 nd parameter	1	↑	1	-	DCA7	DCA6	DCA5	DCA4	DCA3	DCA2	DCA1	DCA0																																					
Description	<p>-Set the amount of current in Operational amplifier in normal mode/full colors. -Adjust the amount of fixed current from the fixed current source in the operational amplifier for the source driver.</p> <table border="1"> <thead> <tr> <th>AP[2:0]</th> <th>Amount of Current in Operational Amplifier</th> </tr> </thead> <tbody> <tr><td>000</td><td>Operation of the operational amplifier stops</td></tr> <tr><td>001</td><td>Small</td></tr> <tr><td>010</td><td>Medium Low</td></tr> <tr><td>011</td><td>Medium</td></tr> <tr><td>100</td><td>Medium High</td></tr> <tr><td>101</td><td>Large</td></tr> <tr><td>110</td><td>Reserved</td></tr> <tr><td>111</td><td>Reserved</td></tr> </tbody> </table> <table border="1"> <thead> <tr> <th>SAP[2:0]</th> <th>Amount of Current in Operational Amplifier</th> </tr> </thead> <tbody> <tr><td>000</td><td>Operation of the operational amplifier stops</td></tr> <tr><td>001</td><td>Small</td></tr> <tr><td>010</td><td>Medium Low</td></tr> <tr><td>011</td><td>Medium</td></tr> <tr><td>100</td><td>Medium High</td></tr> <tr><td>101</td><td>Large</td></tr> <tr><td>110</td><td>Reserved</td></tr> <tr><td>111</td><td>Reserved</td></tr> </tbody> </table>													AP[2:0]	Amount of Current in Operational Amplifier	000	Operation of the operational amplifier stops	001	Small	010	Medium Low	011	Medium	100	Medium High	101	Large	110	Reserved	111	Reserved	SAP[2:0]	Amount of Current in Operational Amplifier	000	Operation of the operational amplifier stops	001	Small	010	Medium Low	011	Medium	100	Medium High	101	Large	110	Reserved	111	Reserved
	AP[2:0]	Amount of Current in Operational Amplifier																																															
	000	Operation of the operational amplifier stops																																															
	001	Small																																															
	010	Medium Low																																															
	011	Medium																																															
	100	Medium High																																															
	101	Large																																															
	110	Reserved																																															
	111	Reserved																																															
SAP[2:0]	Amount of Current in Operational Amplifier																																																
000	Operation of the operational amplifier stops																																																
001	Small																																																
010	Medium Low																																																
011	Medium																																																
100	Medium High																																																
101	Large																																																
110	Reserved																																																
111	Reserved																																																
<p>-Set the Booster circuit Step-up cycle in Normal mode/ full colors.</p> <table border="1"> <thead> <tr> <th></th> <th>DCA[9:8]</th> <th>DCA[7:6]</th> <th>DCA[5:4]</th> <th>DCA[3:2]</th> <th>DCA[1:0]</th> </tr> </thead> <tbody> <tr><td>00</td><td>BCLK/1</td><td>BCLK/1</td><td>BCLK/1</td><td>BCLK/1</td><td>BCLK/1</td></tr> <tr><td>01</td><td>BCLK/1.5</td><td>BCLK/1.5</td><td>BCLK/1.5</td><td>BCLK/1.5</td><td>BCLK/1.5</td></tr> <tr><td>10</td><td>BCLK/2</td><td>BCLK/2</td><td>BCLK/2</td><td>BCLK/2</td><td>BCLK/2</td></tr> <tr><td>11</td><td>BCLK/4</td><td>BCLK/4</td><td>BCLK/4</td><td>BCLK/4</td><td>BCLK/4</td></tr> </tbody> </table>														DCA[9:8]	DCA[7:6]	DCA[5:4]	DCA[3:2]	DCA[1:0]	00	BCLK/1	BCLK/1	BCLK/1	BCLK/1	BCLK/1	01	BCLK/1.5	BCLK/1.5	BCLK/1.5	BCLK/1.5	BCLK/1.5	10	BCLK/2	BCLK/2	BCLK/2	BCLK/2	BCLK/2	11	BCLK/4	BCLK/4	BCLK/4	BCLK/4	BCLK/4							
	DCA[9:8]	DCA[7:6]	DCA[5:4]	DCA[3:2]	DCA[1:0]																																												
00	BCLK/1	BCLK/1	BCLK/1	BCLK/1	BCLK/1																																												
01	BCLK/1.5	BCLK/1.5	BCLK/1.5	BCLK/1.5	BCLK/1.5																																												
10	BCLK/2	BCLK/2	BCLK/2	BCLK/2	BCLK/2																																												
11	BCLK/4	BCLK/4	BCLK/4	BCLK/4	BCLK/4																																												
<p>Note: BCLK is Clock frequency for Booster circuit</p>																																																	
Register Availability	<table border="1"> <thead> <tr> <th>Status</th> <th>Availability</th> </tr> </thead> <tbody> <tr><td>Normal Mode On, Idle Mode Off, Sleep Out</td><td>Yes</td></tr> <tr><td>Normal Mode On, Idle Mode On, Sleep Out</td><td>Yes</td></tr> <tr><td>Partial Mode On, Idle Mode Off, Sleep Out</td><td>Yes</td></tr> <tr><td>Partial Mode On, Idle Mode On, Sleep Out</td><td>Yes</td></tr> <tr><td>Sleep In</td><td>Yes</td></tr> </tbody> </table>												Status	Availability	Normal Mode On, Idle Mode Off, Sleep Out	Yes	Normal Mode On, Idle Mode On, Sleep Out	Yes	Partial Mode On, Idle Mode Off, Sleep Out	Yes	Partial Mode On, Idle Mode On, Sleep Out	Yes	Sleep In	Yes																									
	Status	Availability																																															
	Normal Mode On, Idle Mode Off, Sleep Out	Yes																																															
	Normal Mode On, Idle Mode On, Sleep Out	Yes																																															
	Partial Mode On, Idle Mode Off, Sleep Out	Yes																																															
	Partial Mode On, Idle Mode On, Sleep Out	Yes																																															
Sleep In	Yes																																																
Default	<table border="1"> <thead> <tr> <th>Status</th> <th>Default Value</th> </tr> </thead> <tbody> <tr><td></td><td>C2h</td></tr> <tr><td>Power On Sequence</td><td>0Ah/00h</td></tr> <tr><td>S/W Reset</td><td>0A h/00h</td></tr> <tr><td>H/W Reset</td><td>0A h/00h</td></tr> </tbody> </table>												Status	Default Value		C2h	Power On Sequence	0Ah/00h	S/W Reset	0A h/00h	H/W Reset	0A h/00h																											
	Status	Default Value																																															
		C2h																																															
	Power On Sequence	0Ah/00h																																															
	S/W Reset	0A h/00h																																															
H/W Reset	0A h/00h																																																



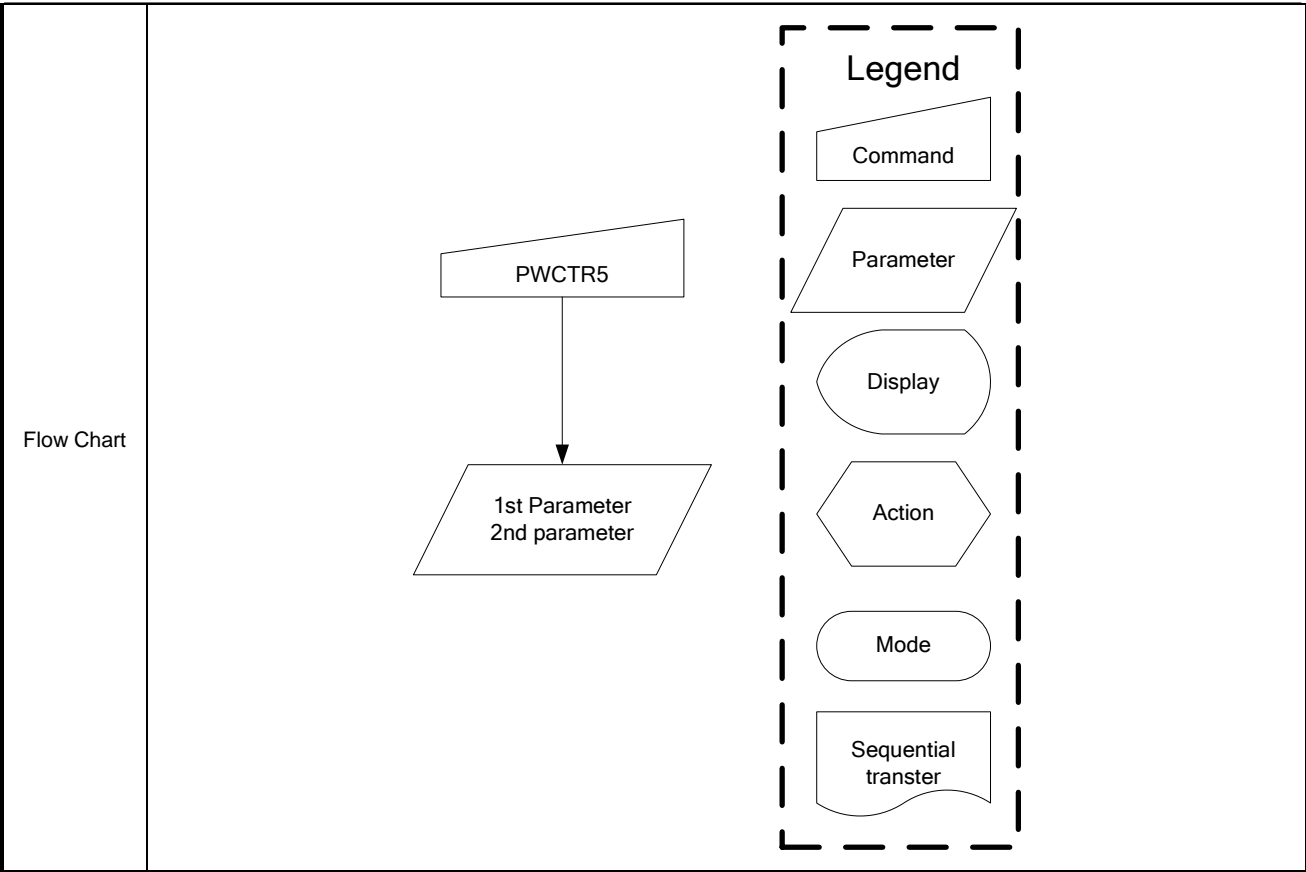
10.2.8 PWCTR4 (C3h): Power Control 4 (in Idle mode/ 8-colors)

C3H	PWCTR4 (Power Control 4)																																																
Inst / Para	D/CX	WRX	RDX	D17-8	D7	D6	D5	D4	D3	D2	D1	D0	HEX																																				
PWCTR4	0	↑	1	-	1	1	0	0	0	0	1	1	(C3h)																																				
1 st parameter	1	↑	1	-	DCB9	DCB8	SAPB2	SAPB1	SAPB0	APB2	APB1	APB0																																					
2 nd parameter	1	↑	1	-	DCB7	DCB6	DCB5	DCB4	DCB3	DCB2	DCB1	DCB0																																					
Description	<p>-Set the amount of current in Operational amplifier in Idle mode/8 colors. -Adjust the amount of fixed current from the fixed current source in the operational amplifier for the source driver.</p> <table border="1"> <thead> <tr> <th>AP[2:0]</th> <th>Amount of Current in Operational Amplifier</th> </tr> </thead> <tbody> <tr><td>000</td><td>Operation of the operational amplifier stops</td></tr> <tr><td>001</td><td>Small</td></tr> <tr><td>010</td><td>Medium Low</td></tr> <tr><td>011</td><td>Medium</td></tr> <tr><td>100</td><td>Medium High</td></tr> <tr><td>101</td><td>Large</td></tr> <tr><td>110</td><td>Reserved</td></tr> <tr><td>111</td><td>Reserved</td></tr> </tbody> </table> <table border="1"> <thead> <tr> <th>SAP[2:0]</th> <th>Amount of Current in Operational Amplifier</th> </tr> </thead> <tbody> <tr><td>000</td><td>Operation of the operational amplifier stops</td></tr> <tr><td>001</td><td>Small</td></tr> <tr><td>010</td><td>Medium Low</td></tr> <tr><td>011</td><td>Medium</td></tr> <tr><td>100</td><td>Medium High</td></tr> <tr><td>101</td><td>Large</td></tr> <tr><td>110</td><td>Reserved</td></tr> <tr><td>111</td><td>Reserved</td></tr> </tbody> </table>													AP[2:0]	Amount of Current in Operational Amplifier	000	Operation of the operational amplifier stops	001	Small	010	Medium Low	011	Medium	100	Medium High	101	Large	110	Reserved	111	Reserved	SAP[2:0]	Amount of Current in Operational Amplifier	000	Operation of the operational amplifier stops	001	Small	010	Medium Low	011	Medium	100	Medium High	101	Large	110	Reserved	111	Reserved
	AP[2:0]	Amount of Current in Operational Amplifier																																															
000	Operation of the operational amplifier stops																																																
001	Small																																																
010	Medium Low																																																
011	Medium																																																
100	Medium High																																																
101	Large																																																
110	Reserved																																																
111	Reserved																																																
SAP[2:0]	Amount of Current in Operational Amplifier																																																
000	Operation of the operational amplifier stops																																																
001	Small																																																
010	Medium Low																																																
011	Medium																																																
100	Medium High																																																
101	Large																																																
110	Reserved																																																
111	Reserved																																																
	<p>-Set the Booster circuit Step-up cycle in Idle mode/8 colors.</p> <table border="1"> <thead> <tr> <th></th> <th>DCB[9:8]</th> <th>DCB[7:6]</th> <th>DCB[5:4]</th> <th>DCB[3:2]</th> <th>DCB[1:0]</th> </tr> </thead> <tbody> <tr><td>00</td><td>BCLK/1</td><td>BCLK/1</td><td>BCLK/1</td><td>BCLK/1</td><td>BCLK/1</td></tr> <tr><td>01</td><td>BCLK/1.5</td><td>BCLK/1.5</td><td>BCLK/1.5</td><td>BCLK/1.5</td><td>BCLK/1.5</td></tr> <tr><td>10</td><td>BCLK/2</td><td>BCLK/2</td><td>BCLK/2</td><td>BCLK/2</td><td>BCLK/2</td></tr> <tr><td>11</td><td>BCLK/4</td><td>BCLK/4</td><td>BCLK/4</td><td>BCLK/4</td><td>BCLK/4</td></tr> </tbody> </table> <p>Note: BCLK is Clock frequency for Booster circuit</p>														DCB[9:8]	DCB[7:6]	DCB[5:4]	DCB[3:2]	DCB[1:0]	00	BCLK/1	BCLK/1	BCLK/1	BCLK/1	BCLK/1	01	BCLK/1.5	BCLK/1.5	BCLK/1.5	BCLK/1.5	BCLK/1.5	10	BCLK/2	BCLK/2	BCLK/2	BCLK/2	BCLK/2	11	BCLK/4	BCLK/4	BCLK/4	BCLK/4	BCLK/4						
	DCB[9:8]	DCB[7:6]	DCB[5:4]	DCB[3:2]	DCB[1:0]																																												
00	BCLK/1	BCLK/1	BCLK/1	BCLK/1	BCLK/1																																												
01	BCLK/1.5	BCLK/1.5	BCLK/1.5	BCLK/1.5	BCLK/1.5																																												
10	BCLK/2	BCLK/2	BCLK/2	BCLK/2	BCLK/2																																												
11	BCLK/4	BCLK/4	BCLK/4	BCLK/4	BCLK/4																																												
Register Availability	<table border="1"> <thead> <tr> <th>Status</th> <th>Availability</th> </tr> </thead> <tbody> <tr><td>Normal Mode On, Idle Mode Off, Sleep Out</td><td>Yes</td></tr> <tr><td>Normal Mode On, Idle Mode On, Sleep Out</td><td>Yes</td></tr> <tr><td>Partial Mode On, Idle Mode Off, Sleep Out</td><td>Yes</td></tr> <tr><td>Partial Mode On, Idle Mode On, Sleep Out</td><td>Yes</td></tr> <tr><td>Sleep In</td><td>Yes</td></tr> </tbody> </table>													Status	Availability	Normal Mode On, Idle Mode Off, Sleep Out	Yes	Normal Mode On, Idle Mode On, Sleep Out	Yes	Partial Mode On, Idle Mode Off, Sleep Out	Yes	Partial Mode On, Idle Mode On, Sleep Out	Yes	Sleep In	Yes																								
Status	Availability																																																
Normal Mode On, Idle Mode Off, Sleep Out	Yes																																																
Normal Mode On, Idle Mode On, Sleep Out	Yes																																																
Partial Mode On, Idle Mode Off, Sleep Out	Yes																																																
Partial Mode On, Idle Mode On, Sleep Out	Yes																																																
Sleep In	Yes																																																
Default	<table border="1"> <thead> <tr> <th>Status</th> <th>Default Value</th> </tr> </thead> <tbody> <tr><td></td><td>C3h</td></tr> <tr><td>Power On Sequence</td><td>8Ah/2Eh</td></tr> <tr><td>S/W Reset</td><td>8Ah/2Eh</td></tr> <tr><td>H/W Reset</td><td>8Ah/2Eh</td></tr> </tbody> </table>													Status	Default Value		C3h	Power On Sequence	8Ah/2Eh	S/W Reset	8Ah/2Eh	H/W Reset	8Ah/2Eh																										
Status	Default Value																																																
	C3h																																																
Power On Sequence	8Ah/2Eh																																																
S/W Reset	8Ah/2Eh																																																
H/W Reset	8Ah/2Eh																																																



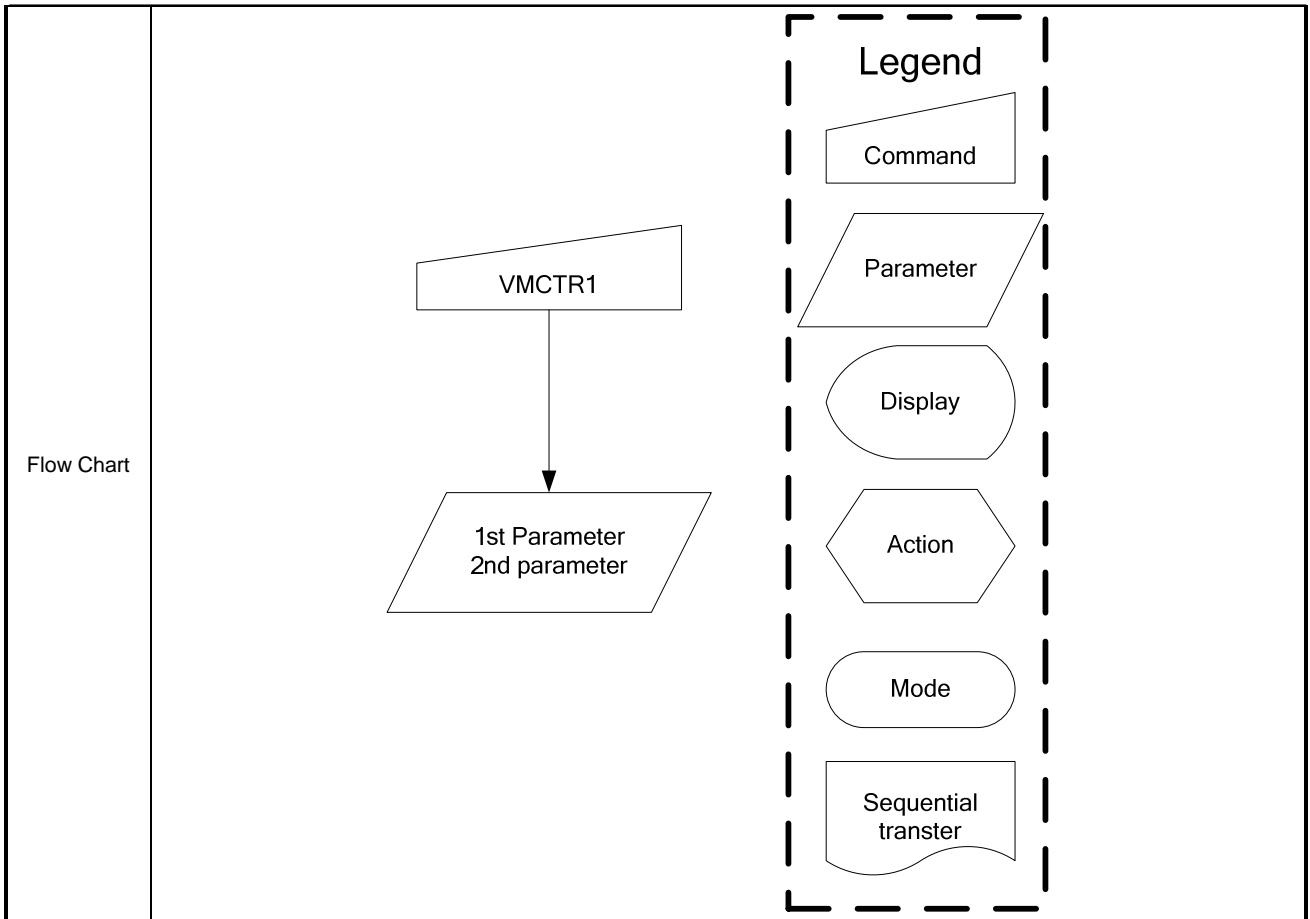
10.2.9 PWCTR5 (C4h): Power Control 5 (in Partial mode/ full-colors)

C4H	PWCTR5 (Power Control 5)																																																
Inst / Para	D/CX	WRX	RDX	D17-8	D7	D6	D5	D4	D3	D2	D1	D0	HEX																																				
PWCTR5	0	↑	1	-	1	1	0	0	0	1	0	0	(C4h)																																				
1 st parameter	1	↑	1	-	DCC9	DCC8	SAPC2	SAPC1	SAPC0	APC2	APC1	APC0																																					
2 nd parameter	1	↑	1	-	DCC7	DCC6	DCC5	DCC4	DCC3	DCC2	DCC1	DCC0																																					
Description	<p>-Set the amount of current in Operational amplifier in Partial mode/ full-colors. -Adjust the amount of fixed current from the fixed current source in the operational amplifier for the source driver.</p> <table border="1"> <thead> <tr> <th>AP[2:0]</th> <th>Amount of Current in Operational Amplifier</th> </tr> </thead> <tbody> <tr><td>000</td><td>Operation of the operational amplifier stops</td></tr> <tr><td>001</td><td>Small</td></tr> <tr><td>010</td><td>Medium Low</td></tr> <tr><td>011</td><td>Medium</td></tr> <tr><td>100</td><td>Medium High</td></tr> <tr><td>101</td><td>Large</td></tr> <tr><td>110</td><td>Reserved</td></tr> <tr><td>111</td><td>Reserved</td></tr> </tbody> </table> <table border="1"> <thead> <tr> <th>SAP[2:0]</th> <th>Amount of Current in Operational Amplifier</th> </tr> </thead> <tbody> <tr><td>000</td><td>Operation of the operational amplifier stops</td></tr> <tr><td>001</td><td>Small</td></tr> <tr><td>010</td><td>Medium Low</td></tr> <tr><td>011</td><td>Medium</td></tr> <tr><td>100</td><td>Medium High</td></tr> <tr><td>101</td><td>Large</td></tr> <tr><td>110</td><td>Reserved</td></tr> <tr><td>111</td><td>Reserved</td></tr> </tbody> </table>													AP[2:0]	Amount of Current in Operational Amplifier	000	Operation of the operational amplifier stops	001	Small	010	Medium Low	011	Medium	100	Medium High	101	Large	110	Reserved	111	Reserved	SAP[2:0]	Amount of Current in Operational Amplifier	000	Operation of the operational amplifier stops	001	Small	010	Medium Low	011	Medium	100	Medium High	101	Large	110	Reserved	111	Reserved
	AP[2:0]	Amount of Current in Operational Amplifier																																															
000	Operation of the operational amplifier stops																																																
001	Small																																																
010	Medium Low																																																
011	Medium																																																
100	Medium High																																																
101	Large																																																
110	Reserved																																																
111	Reserved																																																
SAP[2:0]	Amount of Current in Operational Amplifier																																																
000	Operation of the operational amplifier stops																																																
001	Small																																																
010	Medium Low																																																
011	Medium																																																
100	Medium High																																																
101	Large																																																
110	Reserved																																																
111	Reserved																																																
	<p>-Set the Booster circuit Step-up cycle in Partial mode/ full-colors.</p> <table border="1"> <thead> <tr> <th></th> <th>DCC[9:8]</th> <th>DCC[7:6]</th> <th>DCC[5:4]</th> <th>DCC[3:2]</th> <th>DCC[1:0]</th> </tr> </thead> <tbody> <tr><td>00</td><td>BCLK/1</td><td>BCLK/1</td><td>BCLK/1</td><td>BCLK/1</td><td>BCLK/1</td></tr> <tr><td>01</td><td>BCLK/1.5</td><td>BCLK/1.5</td><td>BCLK/1.5</td><td>BCLK/1.5</td><td>BCLK/1.5</td></tr> <tr><td>10</td><td>BCLK/2</td><td>BCLK/2</td><td>BCLK/2</td><td>BCLK/2</td><td>BCLK/2</td></tr> <tr><td>11</td><td>BCLK/4</td><td>BCLK/4</td><td>BCLK/4</td><td>BCLK/4</td><td>BCLK/4</td></tr> </tbody> </table> <p>Note: BCLK is Clock frequency for Booster circuit</p>														DCC[9:8]	DCC[7:6]	DCC[5:4]	DCC[3:2]	DCC[1:0]	00	BCLK/1	BCLK/1	BCLK/1	BCLK/1	BCLK/1	01	BCLK/1.5	BCLK/1.5	BCLK/1.5	BCLK/1.5	BCLK/1.5	10	BCLK/2	BCLK/2	BCLK/2	BCLK/2	BCLK/2	11	BCLK/4	BCLK/4	BCLK/4	BCLK/4	BCLK/4						
	DCC[9:8]	DCC[7:6]	DCC[5:4]	DCC[3:2]	DCC[1:0]																																												
00	BCLK/1	BCLK/1	BCLK/1	BCLK/1	BCLK/1																																												
01	BCLK/1.5	BCLK/1.5	BCLK/1.5	BCLK/1.5	BCLK/1.5																																												
10	BCLK/2	BCLK/2	BCLK/2	BCLK/2	BCLK/2																																												
11	BCLK/4	BCLK/4	BCLK/4	BCLK/4	BCLK/4																																												
Register Availability	<table border="1"> <thead> <tr> <th>Status</th> <th>Availability</th> </tr> </thead> <tbody> <tr><td>Normal Mode On, Idle Mode Off, Sleep Out</td><td>Yes</td></tr> <tr><td>Normal Mode On, Idle Mode On, Sleep Out</td><td>Yes</td></tr> <tr><td>Partial Mode On, Idle Mode Off, Sleep Out</td><td>Yes</td></tr> <tr><td>Partial Mode On, Idle Mode On, Sleep Out</td><td>Yes</td></tr> <tr><td>Sleep In</td><td>Yes</td></tr> </tbody> </table>													Status	Availability	Normal Mode On, Idle Mode Off, Sleep Out	Yes	Normal Mode On, Idle Mode On, Sleep Out	Yes	Partial Mode On, Idle Mode Off, Sleep Out	Yes	Partial Mode On, Idle Mode On, Sleep Out	Yes	Sleep In	Yes																								
Status	Availability																																																
Normal Mode On, Idle Mode Off, Sleep Out	Yes																																																
Normal Mode On, Idle Mode On, Sleep Out	Yes																																																
Partial Mode On, Idle Mode Off, Sleep Out	Yes																																																
Partial Mode On, Idle Mode On, Sleep Out	Yes																																																
Sleep In	Yes																																																
Default	<table border="1"> <thead> <tr> <th>Status</th> <th>Default Value</th> </tr> </thead> <tbody> <tr><td></td><td>C4h</td></tr> <tr><td>Power On Sequence</td><td>8Ah/Ah</td></tr> <tr><td>S/W Reset</td><td>8Ah/Ah</td></tr> <tr><td>H/W Reset</td><td>8Ah/Ah</td></tr> </tbody> </table>													Status	Default Value		C4h	Power On Sequence	8Ah/Ah	S/W Reset	8Ah/Ah	H/W Reset	8Ah/Ah																										
Status	Default Value																																																
	C4h																																																
Power On Sequence	8Ah/Ah																																																
S/W Reset	8Ah/Ah																																																
H/W Reset	8Ah/Ah																																																



10.2.10 VMCTR1 (C5h): VCOM Control 1

C5H		VMCTR1 (VCOM Control 1)											
Inst / Para	D/CX	WRX	RDX	D17-8	D7	D6	D5	D4	D3	D2	D1	D0	HEX
VMCTR1	0	↑	1	-	1	1	0	0	0	1	0	1	(C5h)
1 st parameter	1	↑	1	-	-	-	VCOMS5	VCOMS 4	VCOMS 3	VCOMS 2	VCOMS 1	VCOMS 0	
Description	VCOM voltage setting.												
		VCOMS [5:0]	VCOM		VCOMS [5:0]	VCOM		VCOMS [5:0]	VCOM		VCOMS [5:0]	VCOM	
	0	000000	-0.425	16	010000	-0.825	32	100000	-1.225	48	110000	-1.625	
	1	000001	-0.45	17	010001	-0.85	33	100001	-1.25	49	110001	-1.65	
	2	000010	-0.475	18	010010	-0.875	34	100010	-1.275	50	110010	-1.675	
	3	000011	-0.5	19	010011	-0.9	35	100011	-1.3	51	110011	-1.7	
	4	000100	-0.525	20	010100	-0.925	36	100100	-1.325	52	110100	-1.725	
	5	000101	-0.55	21	010101	-0.95	37	100101	-1.35	53	110101	-1.75	
	6	000110	-0.575	22	010110	-0.975	38	100110	-1.375	54	110110	-1.775	
	7	000111	-0.6	23	010111	-1	39	100111	-1.4	55	110111	-1.8	
	8	001000	-0.625	24	011000	-1.025	40	101000	-1.425	56	111000	-1.825	
	9	001001	-0.65	25	011001	-1.05	41	101001	-1.45	57	111001	-1.85	
	10	001010	-0.675	26	011010	-1.075	42	101010	-1.475	58	111010	-1.875	
	11	001011	-0.7	27	011011	-1.1	43	101011	-1.5	59	111011	-1.9	
	12	001100	-0.725	28	011100	-1.125	44	101100	-1.525	60	111100	-1.925	
	13	001101	-0.75	29	011101	-1.15	45	101101	-1.55	61	111101	-1.95	
	14	001110	-0.775	30	011110	-1.175	46	101110	-1.575	62	111110	-1.975	
15	001111	-0.8	31	011111	-1.2	47	101111	-1.6	63	111111	-2		
Register Availability	Status		Availability										
	Normal Mode On, Idle Mode Off, Sleep Out		Yes										
	Normal Mode On, Idle Mode On, Sleep Out		Yes										
	Partial Mode On, Idle Mode Off, Sleep Out		Yes										
	Partial Mode On, Idle Mode On, Sleep Out		Yes										
	Sleep In		Yes										
Default	Status		Default Value										
			C5h										
	Power On Sequence		04h										
	S/W Reset		04h										
	H/W Reset		04h										



10.2.11 VMOFCTR (C7h): VCOM Offset Control

C7H	VMOFCTR (VCOM Offset Control)																																																
Inst / Para	D/CX	WRX	RDX	D17-8	D7	D6	D5	D4	D3	D2	D1	D0	HEX																																				
VMOFCTR	0	↑	1	-	1	1	0	0	0	1	1	1	(C7h)																																				
Parameter	1	↑	1	-	-	-	-	VMF4	VMF3	VMF2	VMF1	VMF0																																					
Description	-Set VCOM Voltage level for reduce the flicker issue -Before use command 0xC7, the bit VMF_EN of command 0xD9 must be enabled (set to 1).																																																
	<table border="1"> <thead> <tr> <th>VMF[4]</th> <th>VMF[3:0]</th> <th>VCOM Output Level</th> </tr> </thead> <tbody> <tr> <td>0</td> <td>0000</td> <td>"VCOMS"-16d</td> </tr> <tr> <td>0</td> <td>0001</td> <td>"VCOMS"-15d</td> </tr> <tr> <td>0</td> <td> </td> <td> </td> </tr> <tr> <td>0</td> <td>1110</td> <td>"VCOMS"-2d</td> </tr> <tr> <td>0</td> <td>1111</td> <td>"VCOMS"-1d</td> </tr> <tr> <td>1</td> <td>0000</td> <td>"VCOMS"</td> </tr> <tr> <td>1</td> <td>0001</td> <td>"VCOMS"+1d</td> </tr> <tr> <td>1</td> <td>0010</td> <td>"VCOMS"+2d</td> </tr> <tr> <td>1</td> <td> </td> <td> </td> </tr> <tr> <td>1</td> <td>1110</td> <td>"VCOMS"+14d</td> </tr> <tr> <td>1</td> <td>1111</td> <td>"VCOMS"+15d</td> </tr> </tbody> </table>													VMF[4]	VMF[3:0]	VCOM Output Level	0	0000	"VCOMS"-16d	0	0001	"VCOMS"-15d	0			0	1110	"VCOMS"-2d	0	1111	"VCOMS"-1d	1	0000	"VCOMS"	1	0001	"VCOMS"+1d	1	0010	"VCOMS"+2d	1			1	1110	"VCOMS"+14d	1	1111	"VCOMS"+15d
	VMF[4]	VMF[3:0]	VCOM Output Level																																														
	0	0000	"VCOMS"-16d																																														
	0	0001	"VCOMS"-15d																																														
	0																																																
	0	1110	"VCOMS"-2d																																														
	0	1111	"VCOMS"-1d																																														
	1	0000	"VCOMS"																																														
	1	0001	"VCOMS"+1d																																														
	1	0010	"VCOMS"+2d																																														
	1																																																
1	1110	"VCOMS"+14d																																															
1	1111	"VCOMS"+15d																																															
- 1d=25mV, 2d=50mV 3d=75mv....																																																	
Register Availability	<table border="1"> <thead> <tr> <th>Status</th> <th>Availability</th> </tr> </thead> <tbody> <tr> <td>Normal Mode On, Idle Mode Off, Sleep Out</td> <td>Yes</td> </tr> <tr> <td>Normal Mode On, Idle Mode On, Sleep Out</td> <td>Yes</td> </tr> <tr> <td>Partial Mode On, Idle Mode Off, Sleep Out</td> <td>Yes</td> </tr> <tr> <td>Partial Mode On, Idle Mode On, Sleep Out</td> <td>Yes</td> </tr> <tr> <td>Sleep In</td> <td>Yes</td> </tr> </tbody> </table>												Status	Availability	Normal Mode On, Idle Mode Off, Sleep Out	Yes	Normal Mode On, Idle Mode On, Sleep Out	Yes	Partial Mode On, Idle Mode Off, Sleep Out	Yes	Partial Mode On, Idle Mode On, Sleep Out	Yes	Sleep In	Yes																									
	Status	Availability																																															
	Normal Mode On, Idle Mode Off, Sleep Out	Yes																																															
	Normal Mode On, Idle Mode On, Sleep Out	Yes																																															
	Partial Mode On, Idle Mode Off, Sleep Out	Yes																																															
Partial Mode On, Idle Mode On, Sleep Out	Yes																																																
Sleep In	Yes																																																
Default	<table border="1"> <thead> <tr> <th>Status</th> <th>Default Value</th> </tr> </thead> <tbody> <tr> <td></td> <td>C7h</td> </tr> <tr> <td>Power On Sequence</td> <td>10h</td> </tr> <tr> <td>S/W Reset</td> <td>10h</td> </tr> <tr> <td>H/W Reset</td> <td>10h</td> </tr> </tbody> </table>												Status	Default Value		C7h	Power On Sequence	10h	S/W Reset	10h	H/W Reset	10h																											
	Status	Default Value																																															
		C7h																																															
	Power On Sequence	10h																																															
S/W Reset	10h																																																
H/W Reset	10h																																																
Flow Chart	<pre> graph TD A[VMOFCTR (C7h)] --> B[/VMF[4:0] Enable CMD D9h Para 40h/] B --> C[/Modify VMF[4:0] register CMD C7h Para XXh/] C --> D[/VMF[4:0] disable CMD D9h Para 00h/] D --> E[/EEPROM Prog flow/] </pre>																																																

10.2.12 WRID2 (D1h): Write ID2 Value

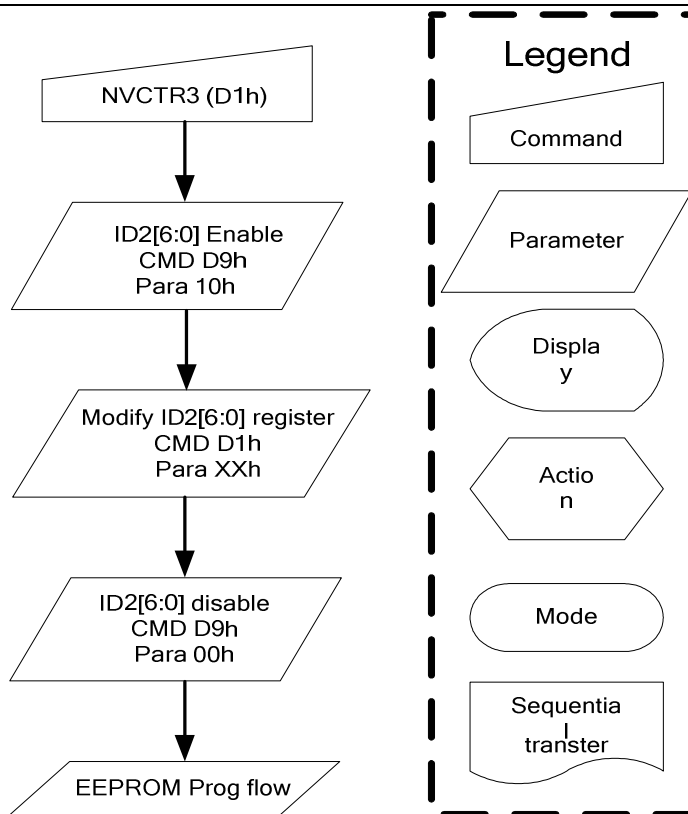
D1H	WRID2 (Write ID2 Value)												
Inst / Para	D/CX	WRX	RDX	D17-8	D7	D6	D5	D4	D3	D2	D1	D0	HEX
WRID2	0	↑	1	-	1	1	0	1	0	0	0	1	(D1h)
Parameter	1	↑	1	-	-	ID26	ID25	ID24	ID23	ID22	ID21	ID20	-

Description

-Write 7-bit data of LCD module version to save it to NVM.

-The parameter ID2[6:0] is LCD Module version ID.

Flow Chart



10.2.13 WRID3 (D2h): Write ID3 Value

D2H	WRID3 (Write ID3 Value)												
Inst / Para	D/CX	WRX	RDX	D17-8	D7	D6	D5	D4	D3	D2	D1	D0	HEX
WRID3	0	↑	1	-	1	1	0	1	0	0	1	0	(D2h)
Parameter	1	↑	1	-	ID37	ID36	ID35	ID34	ID33	ID32	ID31	ID30	-
Description	-Write 8-bit data of project code module to save it to NVM. -The parameter ID3[7:0] is product project ID.												
Flow Chart	<p>The flow chart illustrates the execution of the WRID3 (D2h) command. It starts with a trapezoidal shape labeled 'WRID3 (D2h)', which is connected by a downward arrow to a parallelogram shape labeled '1st Parameter'. To the right of the flow chart is a legend enclosed in a dashed box, defining the symbols used: a trapezoid for 'Command', a parallelogram for 'Parameter', an oval for 'Display', a hexagon for 'Action', a rounded rectangle for 'Mode', and a wavy rectangle for 'Sequential transfer'.</p>												

10.2.14 NVFCTR1 (D9h): NVM Control Status

D9H	NVFCTR1 (NV Memory Function Controller 1)												
Inst / Para	D/CX	WRX	RDX	D17-8	D7	D6	D5	D4	D3	D2	D1	D0	HEX
NVFCTR1	0	↑	1	-	1	1	0	0	1	0	0	1	(D9h)
parameter	1	1	↑	-	0	VMF_EN	ID2_EN	0	0	0	0	EXT_R	
Description	-NVM control status												
	Bit		Value										
	VMF_EN		"1" = Command C7h enable ; "0" = Command C7h disable										
	ID2_EN		"1" = Command D1h enable ; "0" = Command D1h disable										
EXT_R		Read: extension command status, "1" for enable, "0" for disable. Write: Don't care											
Default	Status		Default Value										
			D9h										
	Power On Sequence		00h										
	S/W Reset		00h										
H/W Reset		00h											
Flow Chart	<pre> graph TD A[NVFCTR (D9h)] --> B[/1st Parameter/] </pre>												
	<p>Legend</p> <ul style="list-style-type: none"> Command Parameter Display Action Mode Sequential transfer 												

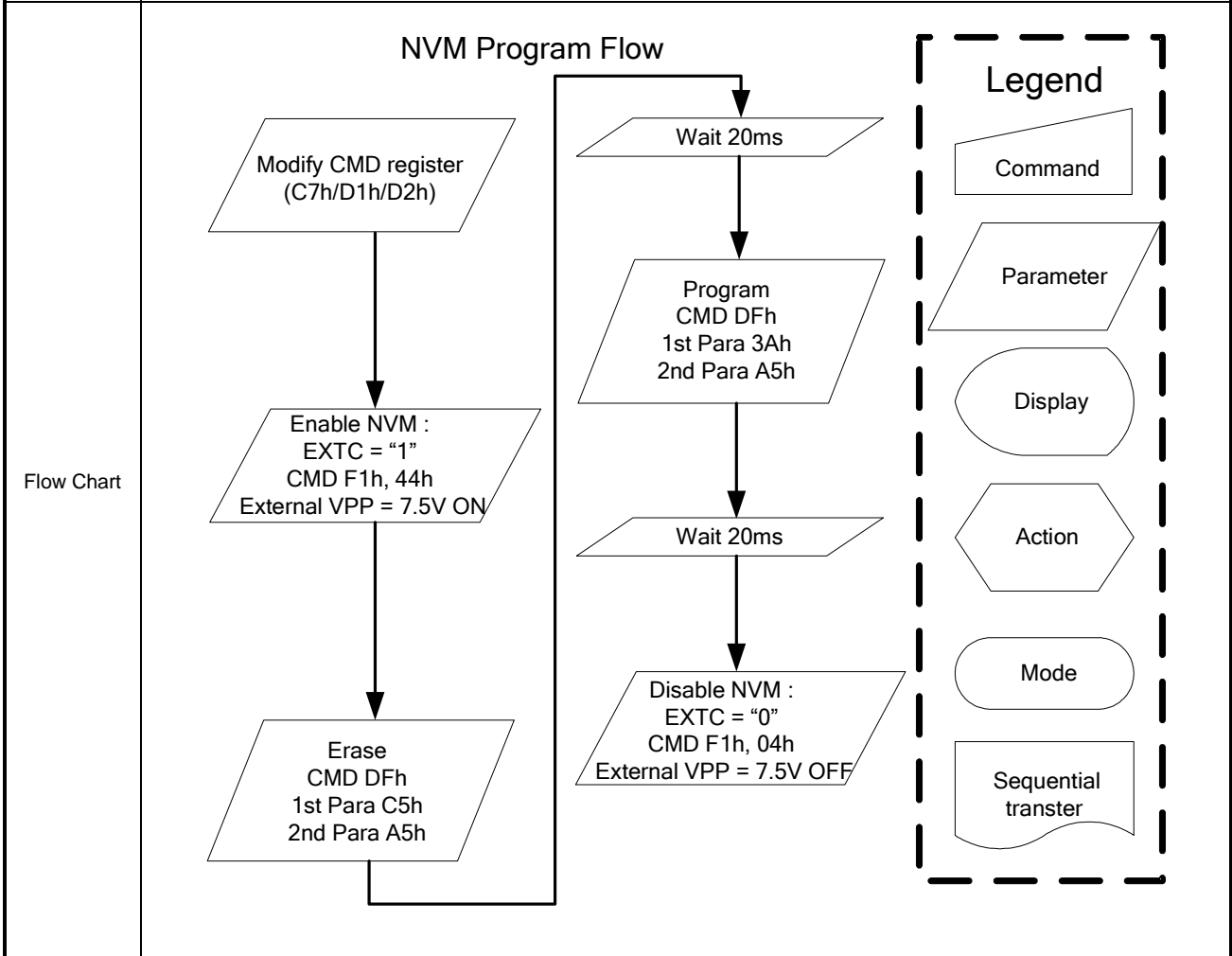
10.2.15 NVFCTR2 (DEh): NVM Read Command

DEH	NVFCTR1 (NV Memory Function Controller 2)												
Inst / Para	D/CX	WRX	RDX	D17-8	D7	D6	D5	D4	D3	D2	D1	D0	HEX
NVFCTR2	0	↑	1	-	1	1	0	1	1	1	1	0	(DEh)
1 st parameter	1	↑	1		1	1	1	1	0	1	0	1	F5
2 nd parameter	1	↑	1		1	0	1	0	0	1	0	1	A5
Description	NVM Read Command NOTE: "-" Don't care												
Flow Chart	<p>The flow chart illustrates the NVM Read Command process. It starts with the command 'NVFCTR2' in a trapezoidal shape, which points to a parallelogram containing the parameters: '1st Para : F5h' and '2nd Para : A5h'. To the right of the flow chart is a legend box with a dashed border, containing six symbols: a trapezoid for 'Command', a parallelogram for 'Parameter', an oval for 'Display', a hexagon for 'Action', a rounded rectangle for 'Mode', and a wavy-bottom rectangle for 'Sequential transfer'.</p>												

10.2.16 NVFCTR3 (DFh): NVM Write Command

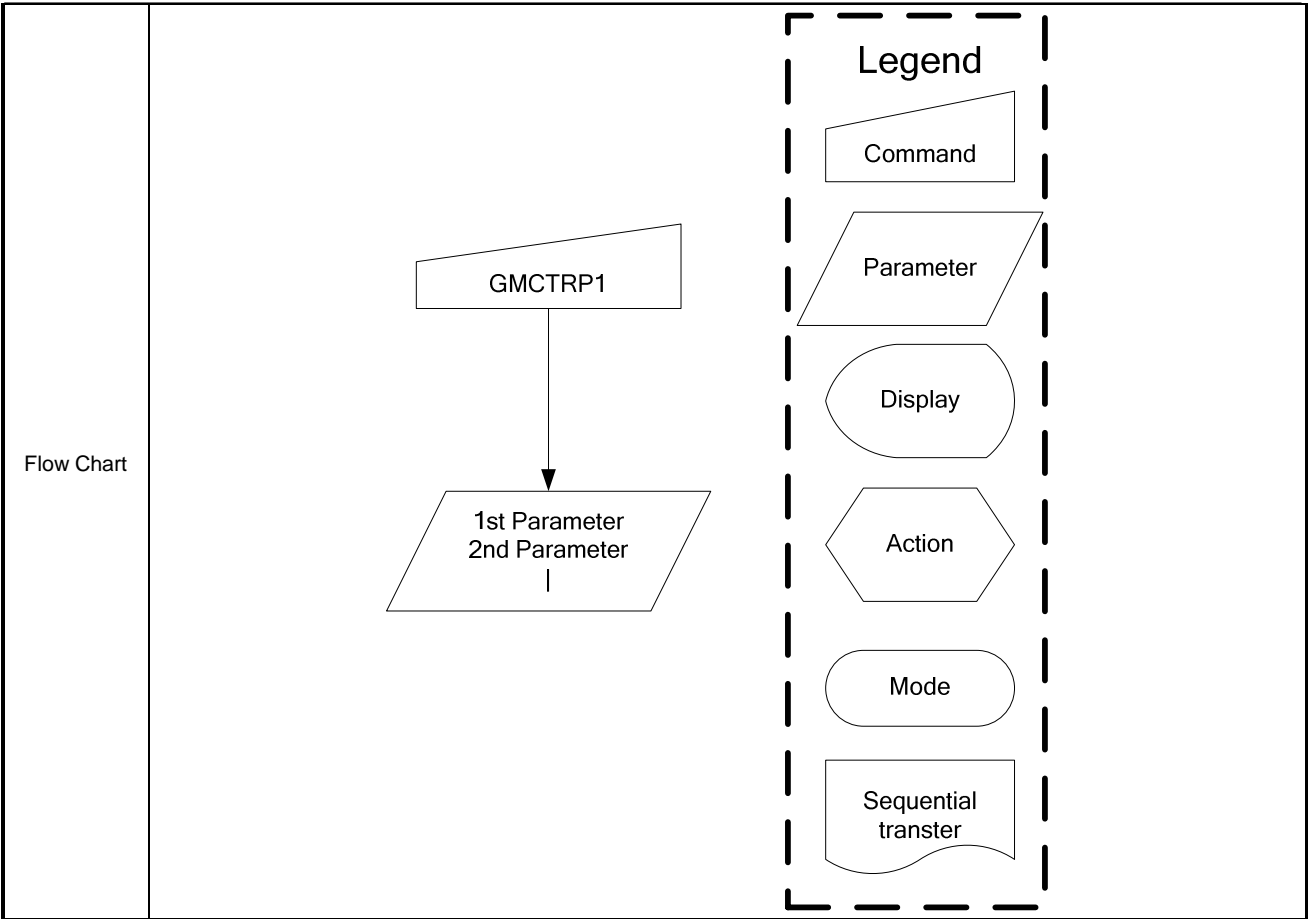
DFH	NVFCTR1 (NV Memory Function Controller 3)												
Inst / Para	D/CX	WRX	RDX	D17-8	D7	D6	D5	D4	D3	D2	D1	D0	HEX
NVFCTR1	0	↑	1	-	1	1	0	1	1	1	1	1	(DFh)
1 st parameter	1	↑	1		NVM_CMD7	NVM_CMD6	NVM_CMD5	NVM_CMD4	NVM_CMD3	NVM_CMD2	NVM_CMD1	NVM_CMD0	
2 nd parameter	1	↑	1		1	0	1	0	0	1	0	1	A5

Description
 -NVM Write Command
 -NVM_CMD[7:0] : Select to Program/Erased ; Program command : 3Ah ; Erase command : C5h
 NOTE: “-“ Don't care



10.2.17 GMCTRP1 (E0h): Gamma ('+'polarity) Correction Characteristics Setting

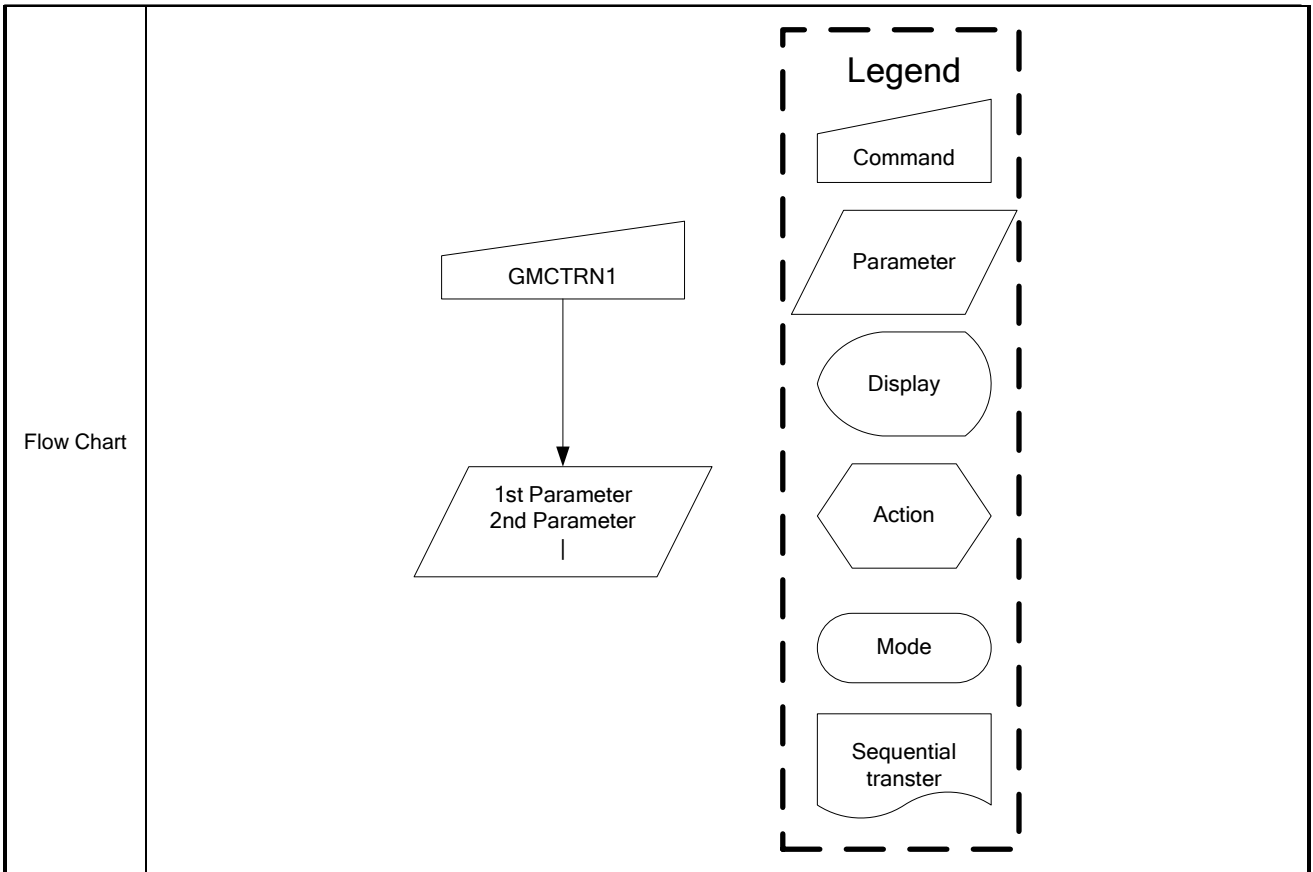
E0H	GMCTRP0 (Gamma '+'polarity Correction Characteristics Setting)												HEX
Inst / Para	D/CX	WRX	RDX	D17-8	D7	D6	D5	D4	D3	D2	D1	D0	
GMCTRP1	0	↑	1	-	1	1	1	0	0	0	0	0	(E0h)
1 st parameter	1	↑	1	-	-	-	VRF0P[5]	VRF0P[4]	VF0P[3]	VRF0P[2]	VRF0P[1]	VRF0P[0]	
2 nd parameter	1	↑	1	-	-	-	VOS0P[5]	VOS0P[4]	VOS0P[3]	VOS0P[2]	VOS0P[1]	VOS0P[0]	
3 rd parameter	1	↑	1	-	-	-	PK0P[5]	PK0P[4]	PK0P[3]	PK0P[2]	PK0P[1]	PK0P[0]	
4 th parameter	1	↑	1	-	-	-	PK1P[5]	PK1P[4]	PK1P[3]	PK1P[2]	PK1P[1]	PK1P[0]	
5 th parameter	1	↑	1	-	-	-	PK2P[5]	PK2P[4]	PK2P[3]	PK2P[2]	PK2P[1]	PK2P[0]	
6 th parameter	1	↑	1	-	-	-	PK3P[5]	PK3P[4]	PK3P[3]	PK3P[2]	PK3P[1]	PK3P[0]	
7 th parameter	1	↑	1	-	-	-	PK4P[5]	PK4P[4]	PK4P[3]	PK4P[2]	PK4P[1]	PK4P[0]	
8 th parameter	1	↑	1	-	-	-	PK5P[5]	PK5P[4]	PK5P[3]	PK5P[2]	PK5P[1]	PK5P[0]	
9 th parameter	1	↑	1	-	-	-	PK6P[5]	PK6P[4]	PK6P[3]	PK6P[2]	PK6P[1]	PK6P[0]	
10 th parameter	1	↑	1	-	-	-	PK7P[5]	PK7P[4]	PK7P[3]	PK7P[2]	PK7P[1]	PK7P[0]	
11 th parameter	1	↑	1	-	-	-	PK8P[5]	PK8P[4]	PK8P[3]	PK8P[2]	PK8P[1]	PK8P[0]	
12 th parameter	1	↑	1	-	-	-	PK9P[5]	PK9P[4]	PK9P[3]	PK9P[2]	PK9P[1]	PK9P[0]	
13 th parameter	1	↑	1	-	-	-	SELV0P[5]	SELV0P[4]	SELV0P[3]	SELV0P[2]	SELV0P[1]	SELV0P[0]	
14 th parameter	1	↑	1	-	-	-	SELV1P[5]	SELV1P[4]	SELV1P[3]	SELV1P[2]	SELV1P[1]	SELV1P[0]	
15 th parameter	1	↑	1	-	-	-	SELV62P[5]	SELV62P[4]	SELV62P[3]	SELV62P[2]	SELV62P[1]	SELV62P[0]	
16 th parameter	1	↑	1	-	-	-	SELV63P[5]	SELV63P[4]	SELV63P[3]	SELV63P[2]	SELV63P[1]	SELV63P[0]	
Description	Register Group		Positive Polarity		Set-up Contents								
	High level adjustment		VRF0P[5:0]		Variable resistor VRHP								
	Mid level adjustment		SELV0P[5:0]		The voltage of V0 grayscale is selected by the 64 to 1 selector								
			SELV1P[5:0]		The voltage of V1 grayscale is selected by the 64 to 1 selector								
			PK0P[5:0]		The voltage of V3 grayscale is selected by the 64 to 1 selector								
			PK1P[5:0]		The voltage of V4 grayscale is selected by the 64 to 1 selector								
			PK2P[5:0]		The voltage of V12 grayscale is selected by the 64 to 1 selector								
			PK3P[5:0]		The voltage of V20 grayscale is selected by the 64 to 1 selector								
			PK4P[5:0]		The voltage of V28 grayscale is selected by the 64 to 1 selector								
			PK5P[5:0]		The voltage of V36 grayscale is selected by the 64 to 1 selector								
			PK6P[5:0]		The voltage of V44 grayscale is selected by the 64 to 1 selector								
			PK7P[5:0]		The voltage of V52 grayscale is selected by the 64 to 1 selector								
			PK8P[5:0]		The voltage of V56 grayscale is selected by the 64 to 1 selector								
			PK9P[5:0]		The voltage of V60 grayscale is selected by the 64 to 1 selector								
Low level adjustment		VOS0P[5:0]		Variable resistor VRLP									



10.2.18 GMCTRN1 (E1h): Gamma '+' polarity Correction Characteristics Setting

E1H	GMCTRP0 (Gamma '+' polarity Correction Characteristics Setting)												
Inst / Para	D/CX	WRX	RDX	D17-8	D7	D6	D5	D4	D3	D2	D1	D0	HEX
GMCTRP1	0	↑	1	-	1	1	1	0	0	0	0	1	(E1h)
1 st parameter	1	↑	1	-	-	-	VRF0N[5]	VRF0N[4]	VF0N[3]	VRF0N[2]	VRF0N[1]	VRF0N[0]	
2 nd parameter	1	↑	1	-	-	-	VOS0N[5]	VOS0N[4]	VOS0N[3]	VOS0N[2]	VOS0N[1]	VOS0N[0]	
3 rd parameter	1	↑	1	-	-	-	PK0N[5]	PK0N[4]	PK0N[3]	PK0N[2]	PK0N[1]	PK0N[0]	
4 th parameter	1	↑	1	-	-	-	PK1N[5]	PK1N[4]	PK1N[3]	PK1N[2]	PK1N[1]	PK1N[0]	
5 th parameter	1	↑	1	-	-	-	PK2N[5]	PK2N[4]	PK2N[3]	PK2N[2]	PK2N[1]	PK2N[0]	
6 th parameter	1	↑	1	-	-	-	PK3N[5]	PK3N[4]	PK3N[3]	PK3N[2]	PK3N[1]	PK3N[0]	
7 th parameter	1	↑	1	-	-	-	PK4N[5]	PK4N[4]	PK4N[3]	PK4N[2]	PK4N[1]	PK4N[0]	
8 th parameter	1	↑	1	-	-	-	PK5N[5]	PK5N[4]	PK5N[3]	PK5N[2]	PK5N[1]	PK5N[0]	
9 th parameter	1	↑	1	-	-	-	PK6N[5]	PK6N[4]	PK6N[3]	PK6N[2]	PK6N[1]	PK6N[0]	
10 th parameter	1	↑	1	-	-	-	PK7N[5]	PK7N[4]	PK7N[3]	PK7N[2]	PK7N[1]	PK7N[0]	
11 th parameter	1	↑	1	-	-	-	PK8N[5]	PK8N[4]	PK8N[3]	PK8N[2]	PK8N[1]	PK8N[0]	
12 th parameter	1	↑	1	-	-	-	PK9N[5]	PK9N[4]	PK9N[3]	PK9N[2]	PK9N[1]	PK9N[0]	
13 th parameter	1	↑	1	-	-	-	SELV0N[5]	SELV0N[4]	SELV0N[3]	SELV0N[2]	SELV0N[1]	SELV0N[0]	
14 th parameter	1	↑	1	-	-	-	SELV1N[5]	SELV1N[4]	SELV1N[3]	SELV1N[2]	SELV1N[1]	SELV1N[0]	
15 th parameter	1	↑	1	-	-	-	SELV62N[5]	SELV62N[4]	SELV62N[3]	SELV62N[2]	SELV62N[1]	SELV62N[0]	
16 th parameter	1	↑	1	-	-	-	SELV63N[5]	SELV63N[4]	SELV63N[3]	SELV63N[2]	SELV63N[1]	SELV63N[0]	

Register Group	Negative Polarity	Set-up Contents
High level adjustment	VRF0N[5:0]	Variable resistor VRHN
Mid level adjustment	SELV0N[5:0]	The voltage of V0 grayscale is selected by the 64 to 1 selector
	SELV1N[5:0]	The voltage of V1 grayscale is selected by the 64 to 1 selector
	PK0N[5:0]	The voltage of V3 grayscale is selected by the 64 to 1 selector
	PK1N[5:0]	The voltage of V4 grayscale is selected by the 64 to 1 selector
	PK2N[5:0]	The voltage of V12 grayscale is selected by the 64 to 1 selector
	PK3N[5:0]	The voltage of V20 grayscale is selected by the 64 to 1 selector
	PK4N[5:0]	The voltage of V28 grayscale is selected by the 64 to 1 selector
	PK5N[5:0]	The voltage of V36 grayscale is selected by the 64 to 1 selector
	PK6N[5:0]	The voltage of V44 grayscale is selected by the 64 to 1 selector
	PK7N[5:0]	The voltage of V52 grayscale is selected by the 64 to 1 selector
	PK8N[5:0]	The voltage of V56 grayscale is selected by the 64 to 1 selector
	PK9N[5:0]	The voltage of V60 grayscale is selected by the 64 to 1 selector
	SELV62N[5:0]	The voltage of V62 grayscale is selected by the 64 to 1 selector
SELV63N[5:0]	The voltage of V63 grayscale is selected by the 64 to 1 selector	
Low level adjustment	VOS0N[5:0]	Variable resistor VRLN



11 Power Structure

11.1 Driver IC Operating Voltage Specification

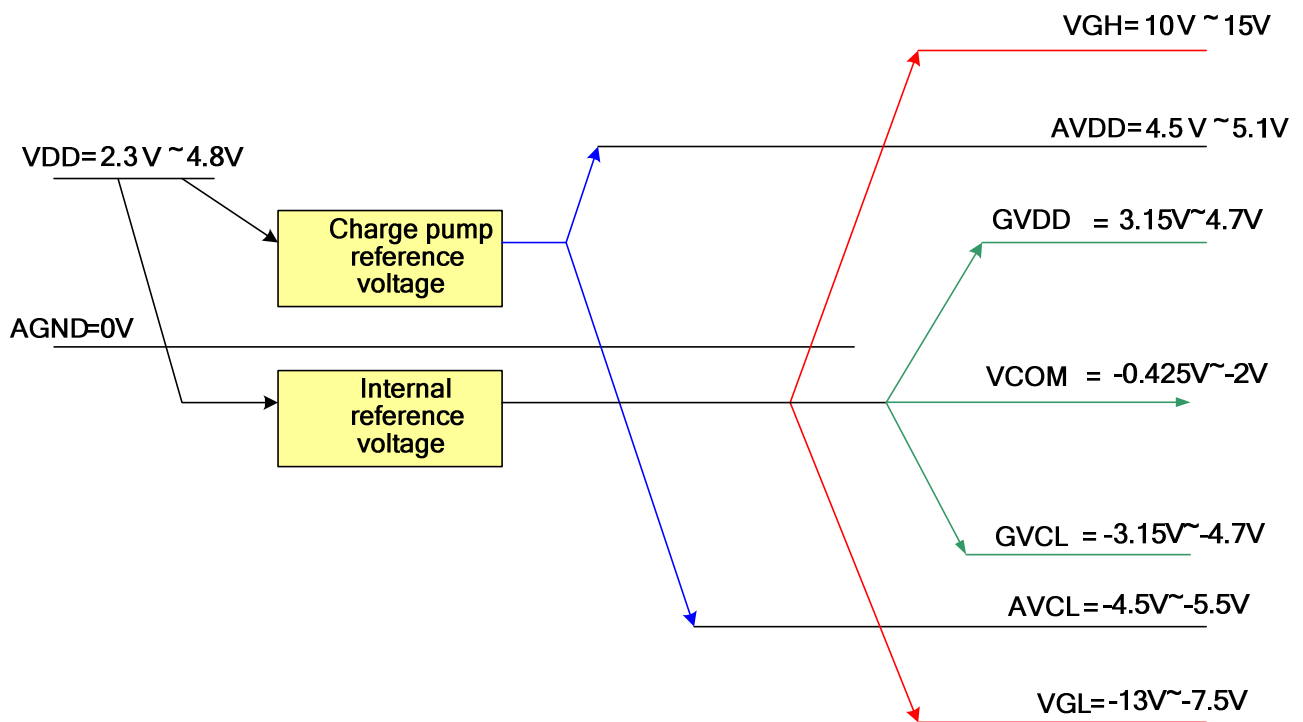
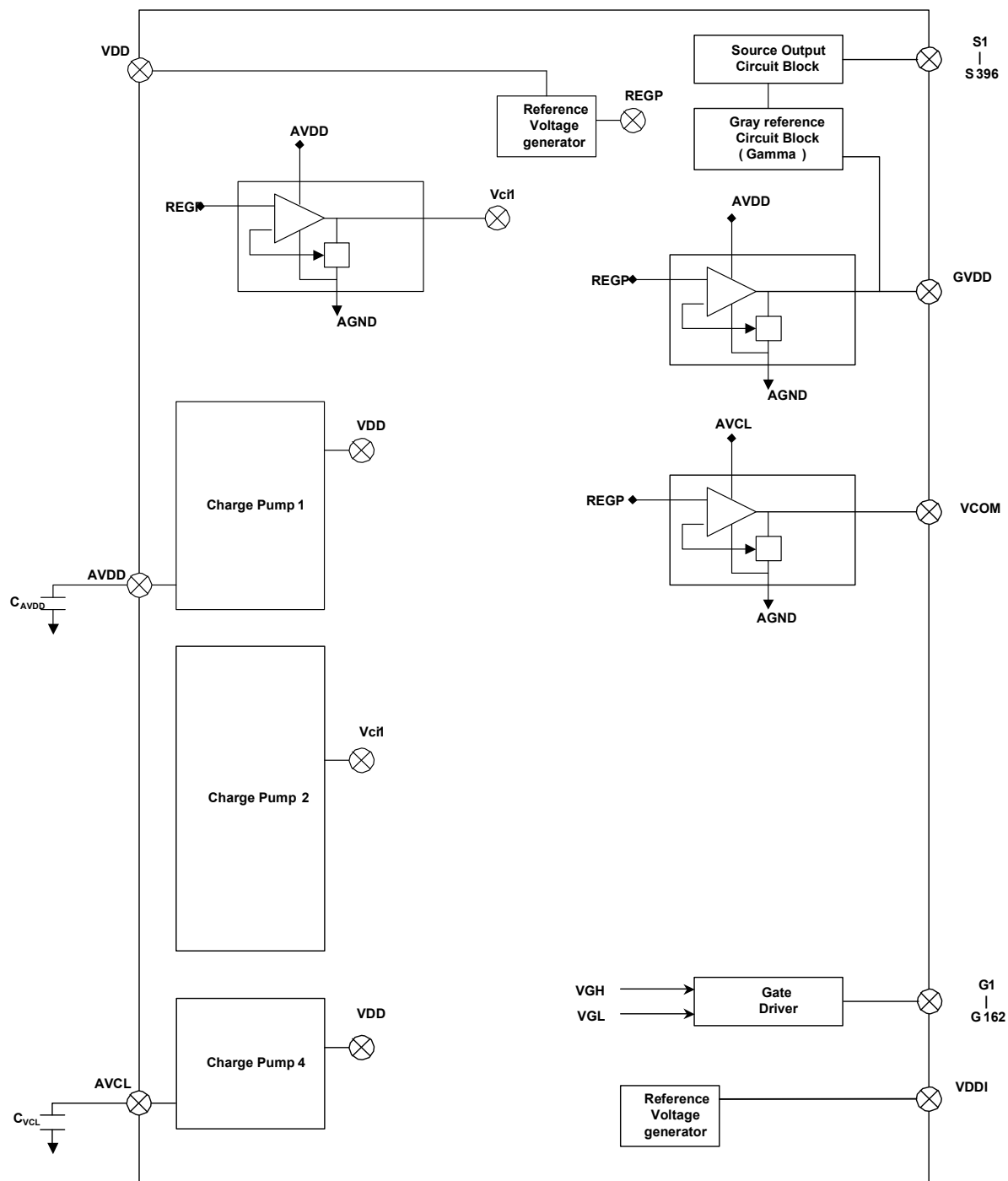


Fig 11.1.1 Power Booster Level

11.2 Power Booster Circuit



11.2.1 EXTERNAL COMPONENTS CONNECTION

Pad Name	Connection	Rated (Min) Voltage	Typical capacitance value
AVDD	Connect to Capacitor: AVDD ----- ----- GND	6.3V	1.0 uF
AVCL	Connect to Capacitor: AVCL ----- ----- GND	6.3V	1.0 uF

12 Gamma structure

12.1 STRUCTURE OF GRAYSCALE AMPLIFIER

16 voltage levels (VIN0-VIN15) between GVDD and VSS are determined by the high/ mid/ low level adjustment registers. Each mid-adjustment level is split into 64 levels again by the internal ladder resistor network. As a result, grayscale amplifier generates 64 voltage levels ranging from V0 to V63 and outputs one of 64 levels.

12.2 Gamma Voltage Formula (Positive/ Negative Polarity)

Gray Level	Voltage Formula (Positive)	Voltage Formula (Negative)
0	VINP0	VINP0
1	VINP1	VINP1
2	VINP2	VINP2
3	VINP3	VINP3
4	VINP4	VINP4
5	$V4-(V4-V12)*(4/32)$	$V4-(V4-V12)*(4/32)$
6	$V4-(V4-V12)*(8/32)$	$V4-(V4-V12)*(8/32)$
7	$V4-(V4-V12)*(12/32)$	$V4-(V4-V12)*(12/32)$
8	$V4-(V4-V12)*(16/32)$	$V4-(V4-V12)*(16/32)$
9	$V4-(V4-V12)*(20/32)$	$V4-(V4-V12)*(20/32)$
10	$V4-(V4-V12)*(24/32)$	$V4-(V4-V12)*(24/32)$
11	$V4-(V4-V12)*(28/32)$	$V4-(V4-V12)*(28/32)$
12	VINP5	VINP5
13	$V12-(V12-V20)*(4/32)$	$V12-(V12-V20)*(4/32)$
14	$V12-(V12-V20)*(8/32)$	$V12-(V12-V20)*(8/32)$
15	$V12-(V12-V20)*(12/32)$	$V12-(V12-V20)*(12/32)$
16	$V12-(V12-V20)*(16/32)$	$V12-(V12-V20)*(16/32)$
17	$V12-(V12-V20)*(20/32)$	$V12-(V12-V20)*(20/32)$
18	$V12-(V12-V20)*(24/32)$	$V12-(V12-V20)*(24/32)$
19	$V12-(V12-V20)*(28/32)$	$V12-(V12-V20)*(28/32)$
20	VINP6	VINP6
21	$V20-(V20-V28)*(4/32)$	$V20-(V20-V28)*(4/32)$
22	$V20-(V20-V28)*(8/32)$	$V20-(V20-V28)*(8/32)$
23	$V20-(V20-V28)*(12/32)$	$V20-(V20-V28)*(12/32)$
24	$V20-(V20-V28)*(16/32)$	$V20-(V20-V28)*(16/32)$
25	$V20-(V20-V28)*(20/32)$	$V20-(V20-V28)*(20/32)$
26	$V20-(V20-V28)*(24/32)$	$V20-(V20-V28)*(24/32)$
27	$V20-(V20-V28)*(28/32)$	$V20-(V20-V28)*(28/32)$
28	VINP7	VINP7
29	$V28-(V28-V36)*(4/32)$	$V28-(V28-V36)*(4/32)$
30	$V28-(V28-V36)*(8/32)$	$V28-(V28-V36)*(8/32)$
31	$V28-(V28-V36)*(12/32)$	$V28-(V28-V36)*(12/32)$
32	$V28-(V28-V36)*(16/32)$	$V28-(V28-V36)*(16/32)$
33	$V28-(V28-V36)*(20/32)$	$V28-(V28-V36)*(20/32)$
34	$V28-(V28-V36)*(24/32)$	$V28-(V28-V36)*(24/32)$
35	$V28-(V28-V36)*(28/32)$	$V28-(V28-V36)*(28/32)$

ST7735R

36	VINP8	VINP8
37	V36-(V36-V44)*(4/32)	V36-(V36-V44)*(4/32)
38	V36-(V36-V44)*(8/32)	V36-(V36-V44)*(8/32)
39	V36-(V36-V44)*(12/32)	V36-(V36-V44)*(12/32)
40	V36-(V36-V44)*(16/32)	V36-(V36-V44)*(16/32)
41	V36-(V36-V44)*(20/32)	V36-(V36-V44)*(20/32)
42	V36-(V36-V44)*(24/32)	V36-(V36-V44)*(24/32)
43	V36-(V36-V44)*(28/32)	V36-(V36-V44)*(28/32)
44	VINP9	VINP9
45	V44-(V44-V52)*(4/32)	V44-(V44-V52)*(4/32)
46	V44-(V44-V52)*(8/32)	V44-(V44-V52)*(8/32)
47	V44-(V44-V52)*(12/32)	V44-(V44-V52)*(12/32)
48	V44-(V44-V52)*(16/32)	V44-(V44-V52)*(16/32)
49	V44-(V44-V52)*(20/32)	V44-(V44-V52)*(20/32)
50	V44-(V44-V52)*(24/32)	V44-(V44-V52)*(24/32)
51	V44-(V44-V52)*(28/32)	V44-(V44-V52)*(28/32)
52	VINP10	VINP10
53	V52-(V52-V56)*(1/4)	V52-(V52-V56)*(1/4)
54	V52-(V52-V56)*(2/4)	V52-(V52-V56)*(2/4)
55	V52-(V52-V56)*(3/4)	V52-(V52-V56)*(3/4)
56	VINP11	VINP11
57	V56-(V56-V60)*(1/4)	V56-(V56-V60)*(1/4)
58	V56-(V56-V60)*(2/4)	V56-(V56-V60)*(2/4)
59	V56-(V56-V60)*(3/4)	V56-(V56-V60)*(3/4)
60	VINP12	VINP12
61	VINP13	VINP13
62	VINP14	VINP14
63	VINP15	VINP15

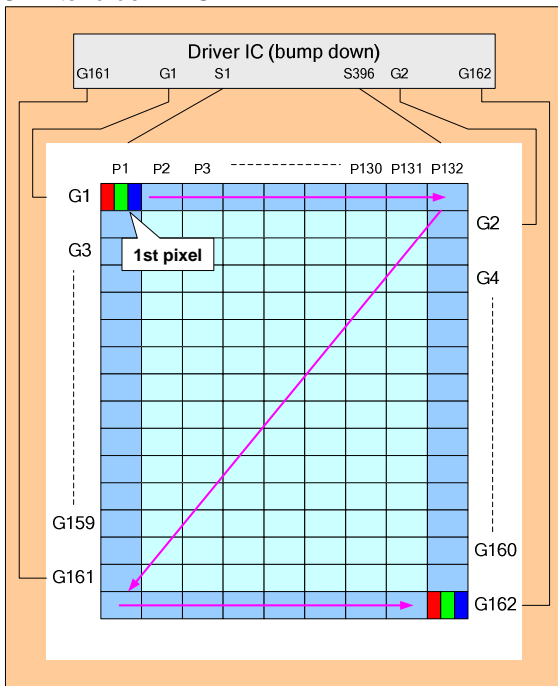
ST7735R

13 Example Connection with Panel direction and Different Resolution

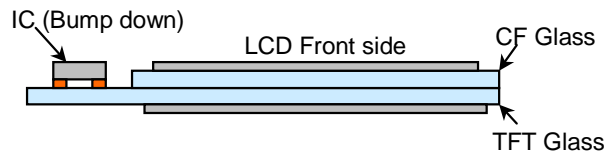
13.1 Application of connection with panel direction

Case 1: (This is default case)

- 1st Pixel is at Left Top of the panel
- RGB filter order = RGB

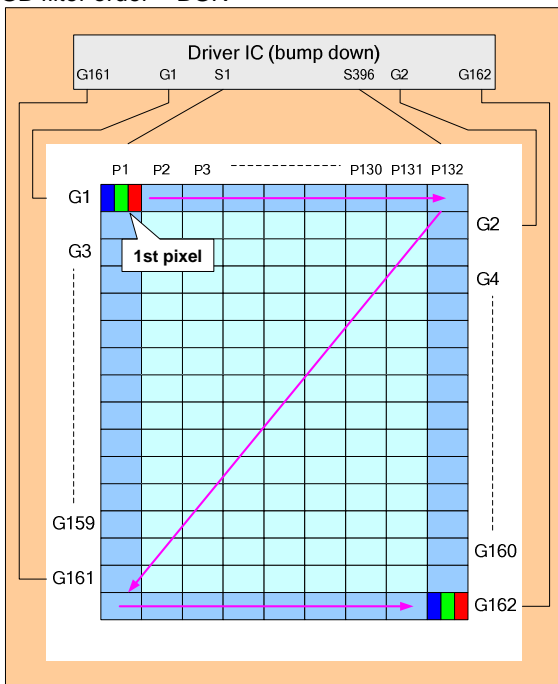


- Direction default setting (H/W)
- SMX = '0'
- SMY = '0'
- SRGB = '0'
- S1 = Filter R
- S2 = Filter G
- S3 = Filter B
- Display direction control (S/W)
- X-Mirror control by MX
- Y-Mirror control by MY
- XY-Exchange control by MV

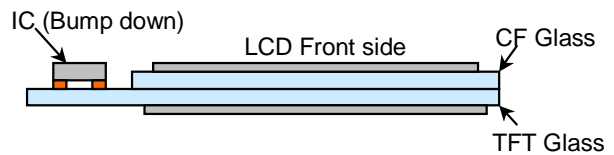


Case 2:

- 1st Pixel is at Left Top of the panel
- RGB filter order = BGR



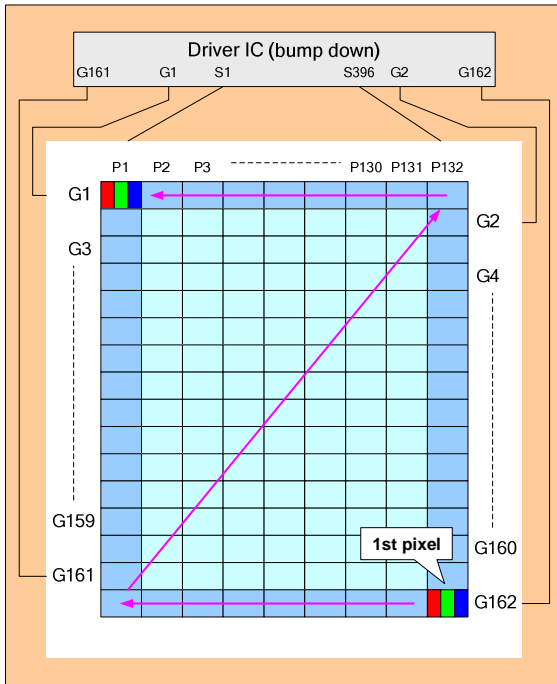
- Direction default setting (H/W)
- SMX = '0'
- SMY = '0'
- SRGB = '1'
- S1 = Filter B
- S2 = Filter G
- S3 = Filter R
- Display direction control (S/W)
- X-Mirror control by MX
- Y-Mirror control by MY
- XY-Exchange control by MV



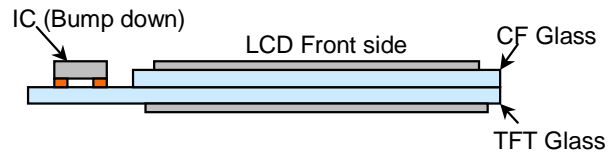
ST7735R

Case 3:

- 1st Pixel is at Right Bottom of the panel
- RGB filter order = RGB

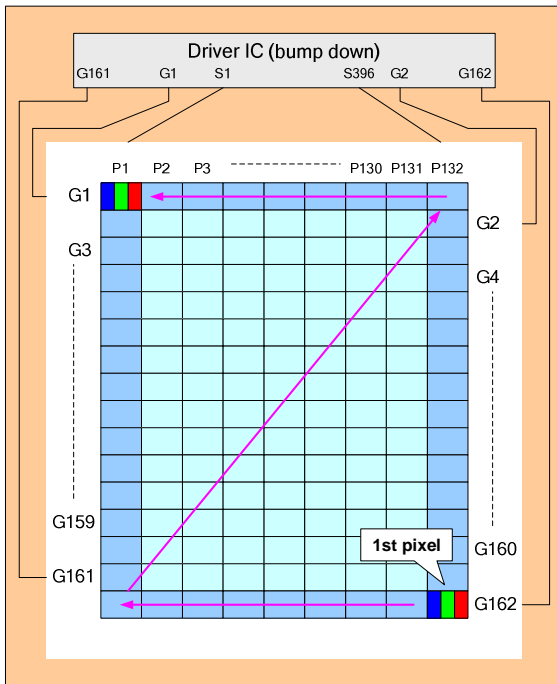


- Direction default setting (H/W)
- SMX = '1'
- SMY = '1'
- SRGB = '0'
- S1 = Filter R
- S2 = Filter G
- S3 = Filter B
- Display direction control (SW)
- X-Mirror control by MX
- Y-Mirror control by MY
- XY-Exchange control by MV

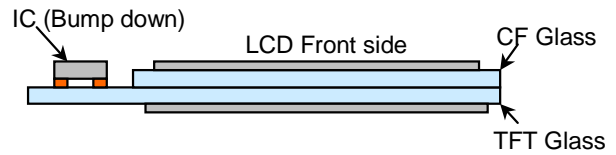


Case 4:

- 1st Pixel is at Right Bottom of the panel
- RGB filter order = BGR



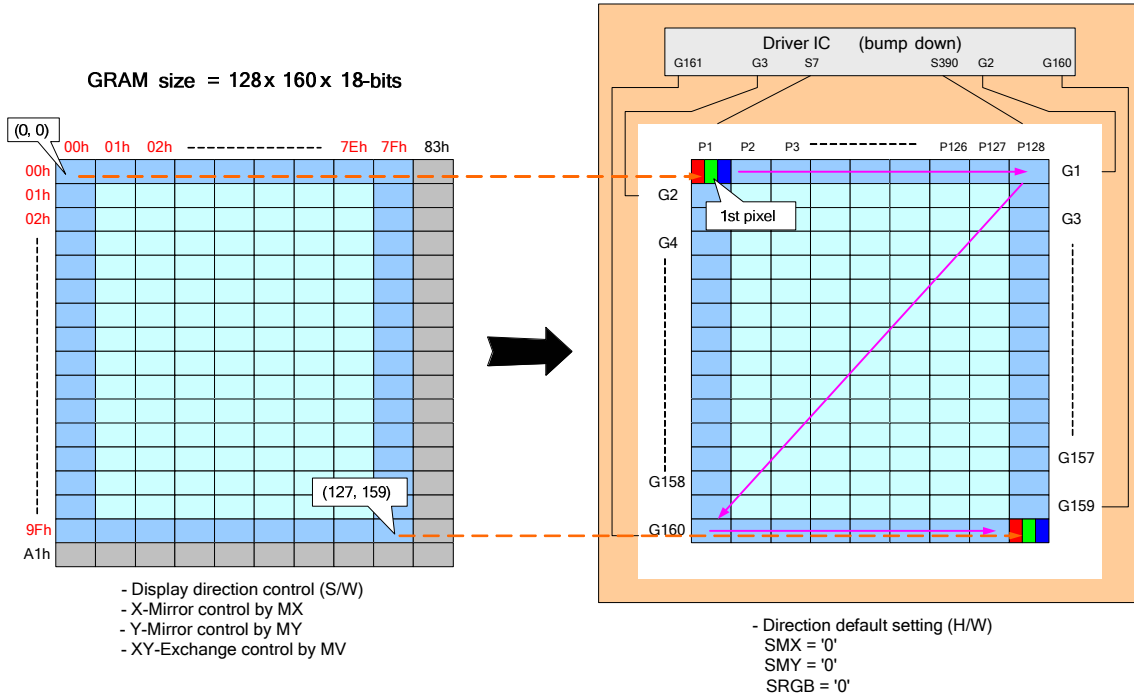
- Direction default setting (H/W)
- SMX = '1'
- SMY = '1'
- SRGB = '1'
- S1 = Filter B
- S2 = Filter G
- S3 = Filter R
- Display direction control (SW)
- X-Mirror control by MX
- Y-Mirror control by MY
- XY-Exchange control by MV



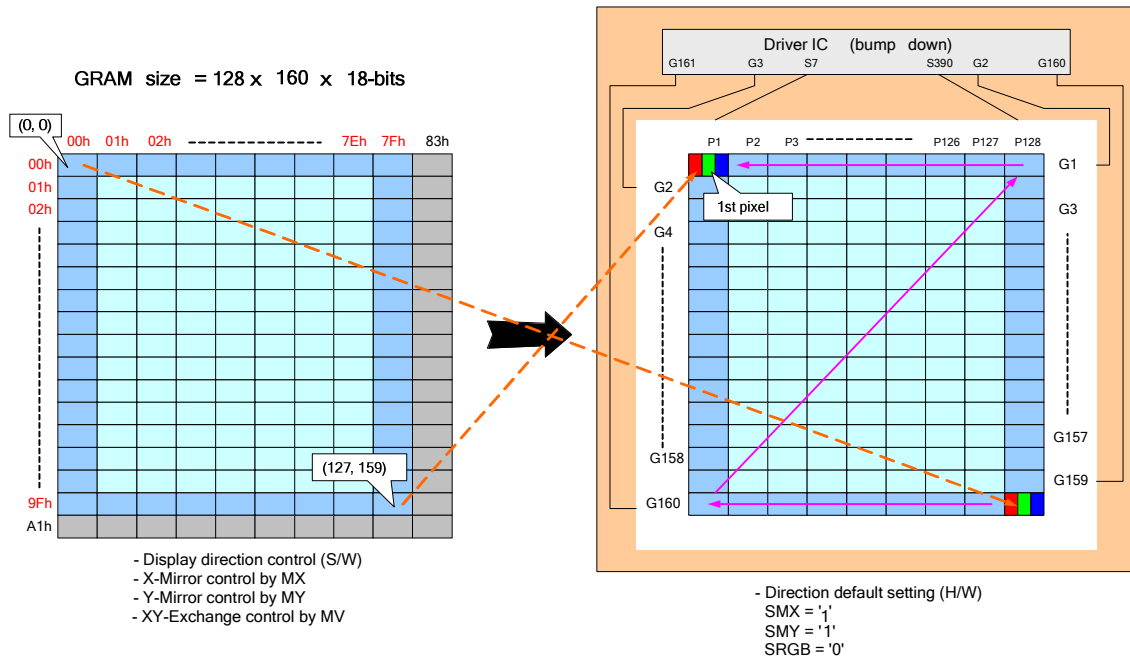
13.2 Application of connection with Different resolution

Case1 of Resolution (128RGB x 160) (GM[1:0] = "11")
 RAM size=128 x 160 x 18-bit (Used)
 Display size = 128RGB x 160

1). Example for SMX=SMY='0'



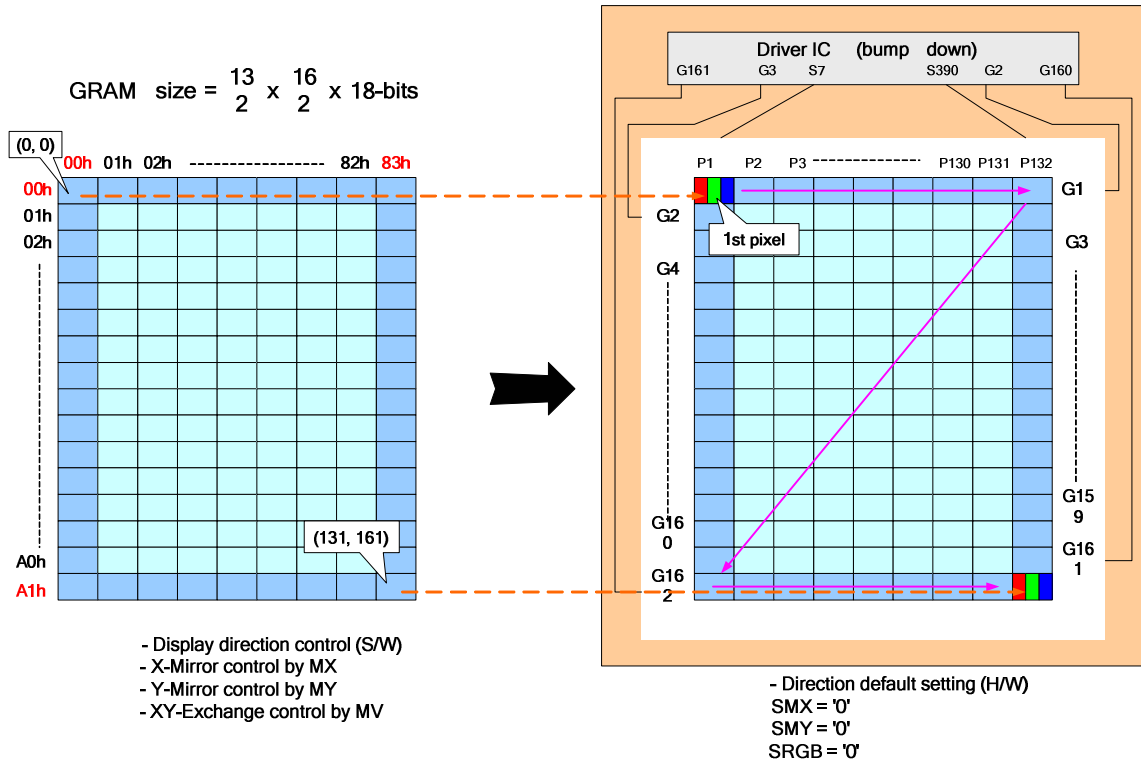
2). Example for SMX=SMY='1'



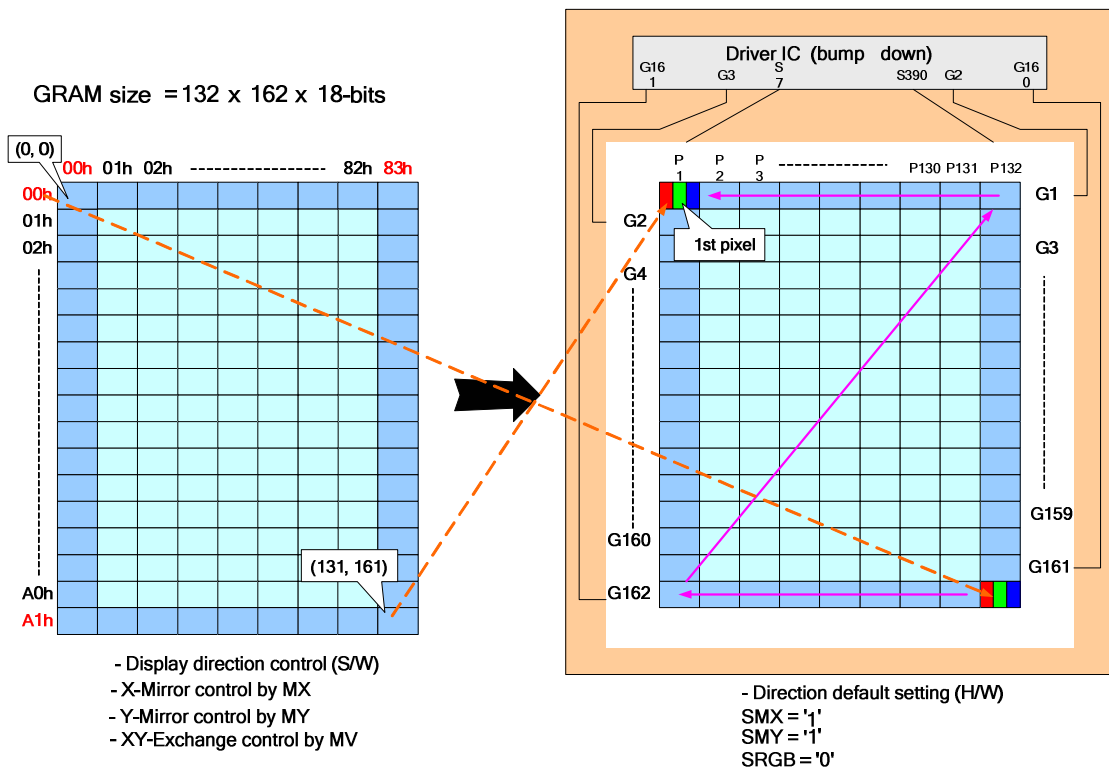
ST7735R

Case2 of Resolution (132RGB x 162) (GM[1:0] = "00")
 RAM size=132 x 162 x 18-bit (Used)
 Display size = 132RGB x 162

1). Example for SMX=SMY='0'



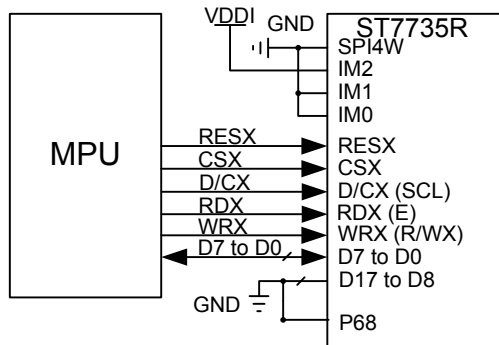
2). Example for SMX=SMY='1'



13.3 Microprocessor Interface applications

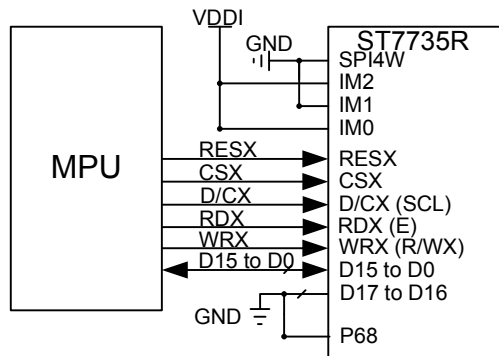
13.3.1 8080-Series MCU Interface for 8-bit data bus (P68=0, IM2, IM1, IM0="100")

80 Serial MPU 8-Bit Bus



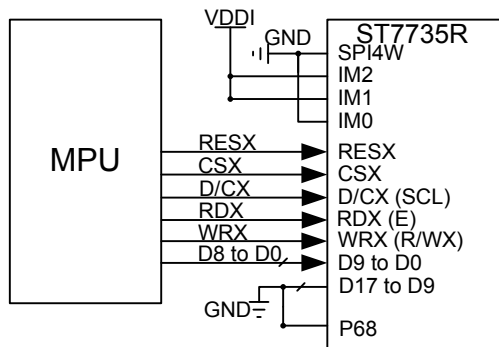
13.3.2 8080-Series MCU Interface for 16-bit data bus (P68=0, IM2, IM1, IM0="101")

80 Serial MPU 16-Bit Bus



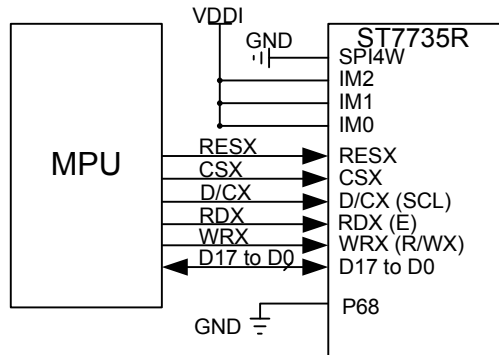
13.3.3 8080-Series MCU Interface for 9-bit data bus (P68=0, IM2, IM1, IM0="110")

80 Serial MPU 9-Bit Bus



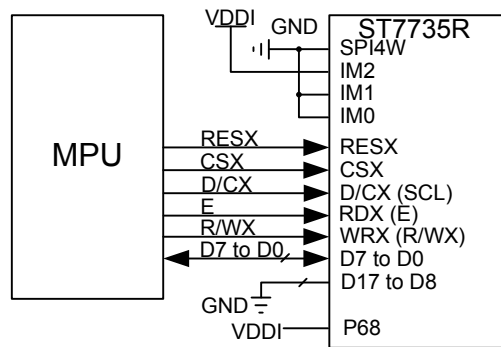
13.3.4 8080-Series MCU Interface for 18-bit data bus (P68=0, IM2, IM1, IM0="111")

80 Serial MPU 18-Bit Bus



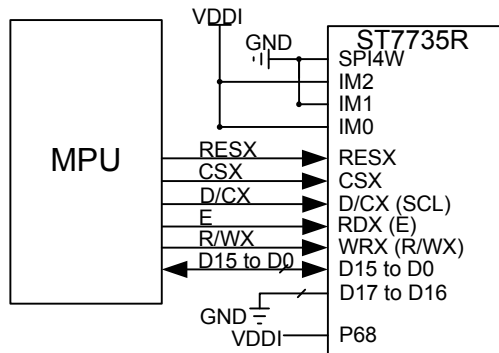
13.3.5 6800-Series MCU Interface for 8-bit data bus (P68=1, IM2, IM1, IM0="100")

68 Serial MPU 8-Bit Bus



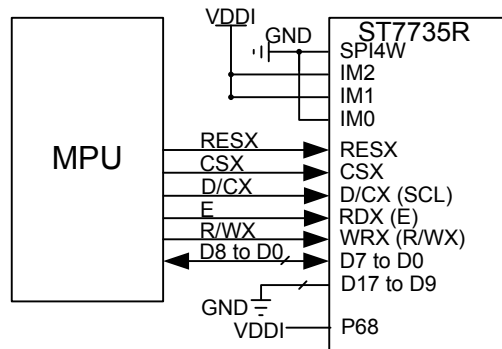
13.3.6 6800-Series MCU Interface for 16-bit data bus (P68=1, IM2, IM1, IM0="101")

68 Serial MPU 16-Bit Bus



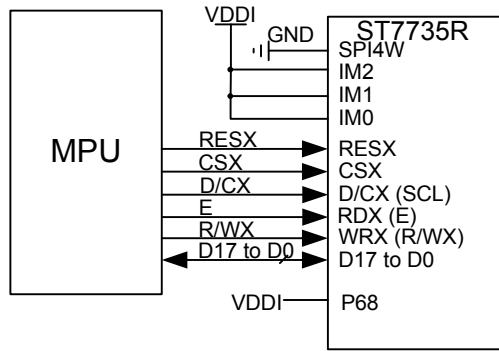
13.3.7 6800-Series MCU Interface for 9-bit data bus (P68=1, IM2, IM1, IM0="110")

68 Serial MPU 9-Bit Bus



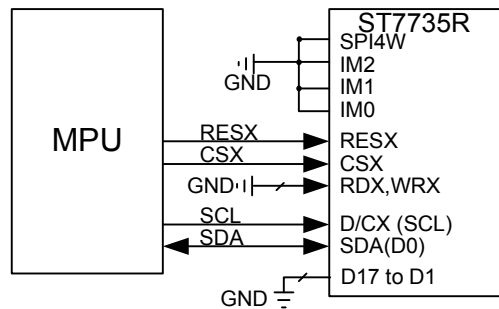
13.3.8 6800-Series MCU Interface for 18-bit data bus (P68=1, IM2, IM1, IM0="111")

68 Serial MPU 18-Bit Bus



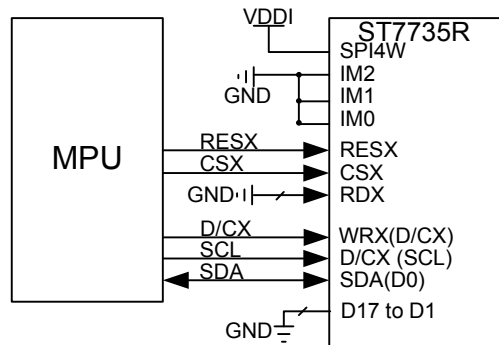
13.3.9 3-Line serial MCU Interface (IM2, IM1, IM0="000", SPI4W=0)

3-Pin Serial Mode



13.3.10 4-Line serial MCU Interface (IM2, IM1, IM0="000", SPI4W=1)

4-Pin Serial Mode



14 Revision History

ST7735R Specification Revision History		
Version	Date	Description
V0.1	2009/07/10	First issue.
V0.2	2009/08/05	Modify VGH, VGL PAD location (P7) Add TESEL pin description. (P16) Modify command DFh (P147) Modify AVDD range 4.5~5.1 (P152)