



START420

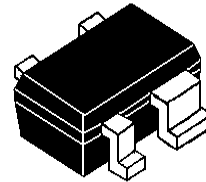
NPN Silicon RF Transistor

- LOW NOISE FIGURE: NF_{min} = 1.05dB
@ 1.8GHz, 5mA, 2V
- COMPRESSION P1dB = 12.5dBm
@ 1.8GHz, 20mA, 2V
- ULTRA MINIATURE SOT343 PACKAGE

DESCRIPTION

The START420 is a member of the START family that provide market with the state of the art of RF silicon process. Manufactured in the third generation of ST proprietary bipolar process, it offers the best mix of gain and NF for given breakdown voltage(BV_{ceo}).

It reaches performance level only achieved with GaAs products before.



SOT343 (SC70)

ORDER CODE
START420TR

BRANDING
420

APPLICATIONS

- LNA FOR GSM/DCS, DECT, PDC, PCS, PCN
- PREDRIVER FOR DECT
- GENERAL PURPOSE 500MHz-5GHz

ABSOLUTE MAXIMUM RATINGS

Symbol	Parameter	Value	Unit
V _{ceo}	Collector emitter voltage	4.5	V
V _{cbo}	Collector base voltage	15	V
V _{ebo}	Emitter base voltage	1.5	V
I _c	Collector current	40	mA
I _b	Base current	4	mA
P _{tot}	Total dissipation, T _s = 101	180	mW
T _{stg}	Storage temperature	-65 to 150	°C
T _j	Max. operating junction temperature	150	°C

ABSOLUTE MAXIMUM RATINGS

R _{thjs}	Thermal Resistance Junction soldering point	270	°C/W
-------------------	---	-----	------

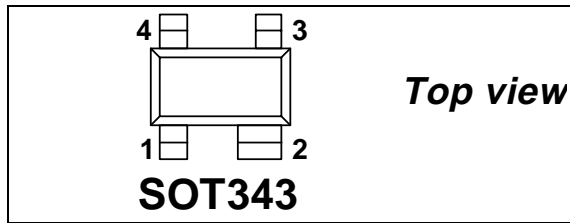
START420

ELECTRICAL CHARACTERISTICS (T_j=25 °C, unless otherwise specified)

Symbol	Parameter	Test Conditions	Min.	Typ.	Max.	Unit
I _{obo}	Collector cutoff current	V _{cb} = 5V, I _e = 0A			150	nA
I _{ebo}	Emitter-base cutoff current	V _{eb} = 1.5V, I _c = 0A			15	μA
H _{fe}	DC current gain	I _c = 20mA, V _{ce} = 3V	100	150		
NF _{min}	Minimum noise figure	I _c = 5mA, V _{ce} = 2V, f = 1.8GHz, Z _s = Z _s opt		1.05		dB
G _a	NF _{min} associated gain	I _c = 5mA, V _{ce} = 2V, f = 1.8GHz		16		dB
S ₂₁ ²	Insertion power gain	I _c = 20mA, V _{ce} = 2V, f = 1.8GHz		19.5		dB
G _{ms} ⁽¹⁾	Maximum stable gain	I _c = 20mA, V _{ce} = 2V, f = 1.8GHz		22.6		dB
P _{-1dB}	1dB compression point	I _c = 20mA, V _{ce} = 2V, f = 1.8GHz		12.5		dBm
OIP ₃	Output third order intercept point	I _c = 20mA, V _{ce} = 2V, f = 1.8GHz		23		dBm

Note(1): G_{ms} = |S₂₁ / S₁₂|

PINOUT



PIN CONNECTION

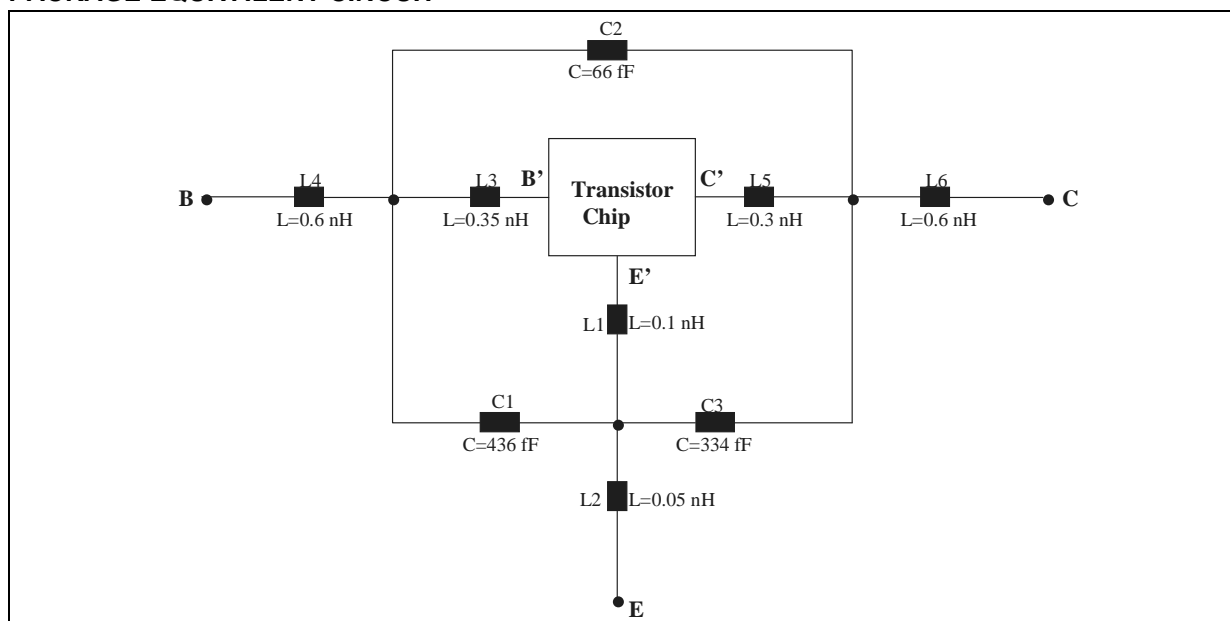
Pin No.	Description
1	BASE
3	COLLECTOR
2,4	EMITTER

SPICE PARAMETERS (Gummel-Poon Model, Berkley-SPICE 2G.6 Syntax)

TRANSISTOR CHIP DATA

Symbol	Value	Symbol	Value	Symbol	Value
TMEAS	27.0	FC	0.66	XJBC	0.53
IS	1.00E-16	EG	1.12	XTI	3.76
ISE	1.58E-11	NF	1	BF	280
NR	1	NE	3.1	VAF	70
ISC	1.55E-15	BR	9.52	VAR	2.3
IKF	{0.217*((T(°C)+273.15)/300.15)^(-1.63)}	NC	1.495	TF	3.0E-12
TR	7E-10	PTF	32.0	VTF	27.9
XTF	9.84	ITF	0.498	MJE	0.497
RB	12.86	RBM	5	MJC	0.292
RC	3.7	RE	0.42	MJS	0.245
CJE	421E-15	VJE	1.03	IKR	8.32E-3
CJC	160E-15	VJC	0.6	XTB	-0.54
CJS	112E-15	VJS	0.4		

PACKAGE EQUIVALENT CIRCUIT



In order to avoid high complexity of the package equivalent circuit, the two emitter leads of SOT-343 package are combined in one electrical connection.

FOR MORE ACCURACY SIMULATION IN SATURATION REGION :

Adding the 5 Spice parameters showed in Table A and using **ST Spice Library** (available on request) you can achieve a more accuracy simulation in the saturation region. ST Spice library is compatible with following simulators: ELDO MENTOR (any version), SPECTRE CADENCE (any version), ADS (version 2001 only).

Table A (Spice Parameters extracted in saturation region)

RW	Vjj	ENP	VRP	RP
1.173	0.8	2.085	{4.12*((TEMPER+273.15)/300.15)^(0.303)}	1.00E-6

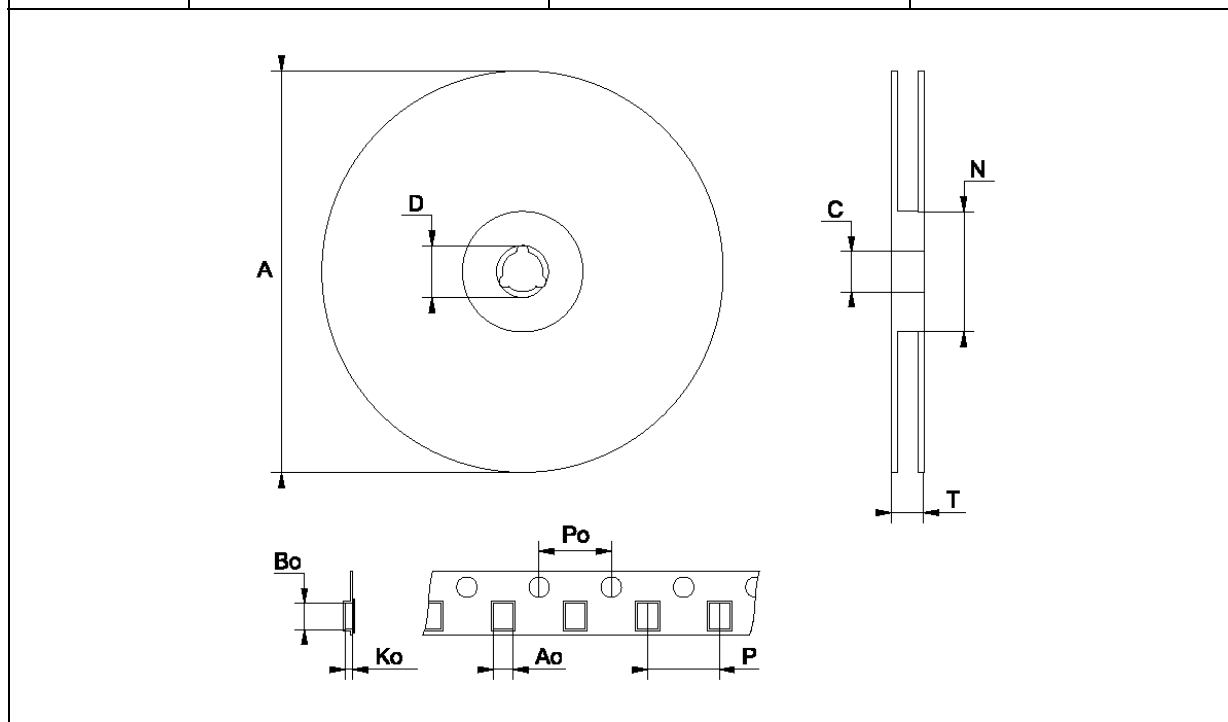
START420

COMMON EMITTER S-PARAMETERS ($V_{CE} = 2V$, $I_C = 20mA$)

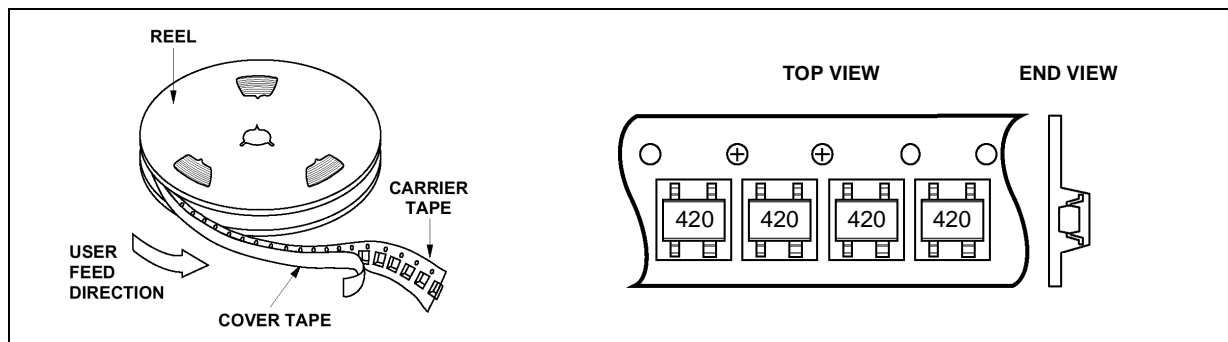
FREQ (MHz)	$ S_{11} $	$S_{11}\angle\Phi$	$ S_{21} $	$S_{21}\angle\Phi$	$ S_{12} $	$S_{12}\angle\Phi$	$ S_{22} $	$S_{22}\angle\Phi$
0.1	0.700	-22	42.223	164	0.010	89	0.932	-12
0.5	0.545	-90	27.116	120	0.027	58	0.632	-51
0.9	0.480	-130	18.322	98	0.036	48	0.421	-71
1	0.476	-137	16.756	94	0.038	47	0.387	-75
1.5	0.484	-167	11.532	77	0.048	42	0.263	-96
1.8	0.494	180	9.528	68	0.052	39	0.210	-111
2	0.503	172	8.390	63	0.055	37	0.183	-123
2.5	0.513	158	6.364	54	0.061	32	0.148	-154
3	0.533	148	4.936	46	0.069	27	0.143	-171
3.5	0.552	140	4.546	37	0.077	21	0.153	178
4	0.559	134	3.873	28	0.085	14	0.154	163

TAPE & REEL DIMENSIONS

	mm		
	MIN.	TYP.	MAX
A	178.5	179	179.5
C	12.8	13.0	13.5
D	20.2		
N	54.5	55	55.5
T			14.4
Ao		2.25	
Bo		2.7	
Ko		1.2	
Po	3.8 (cumulative 10 Po)	4.0	4.2 (cumulative 10 Po)
P		4.0	

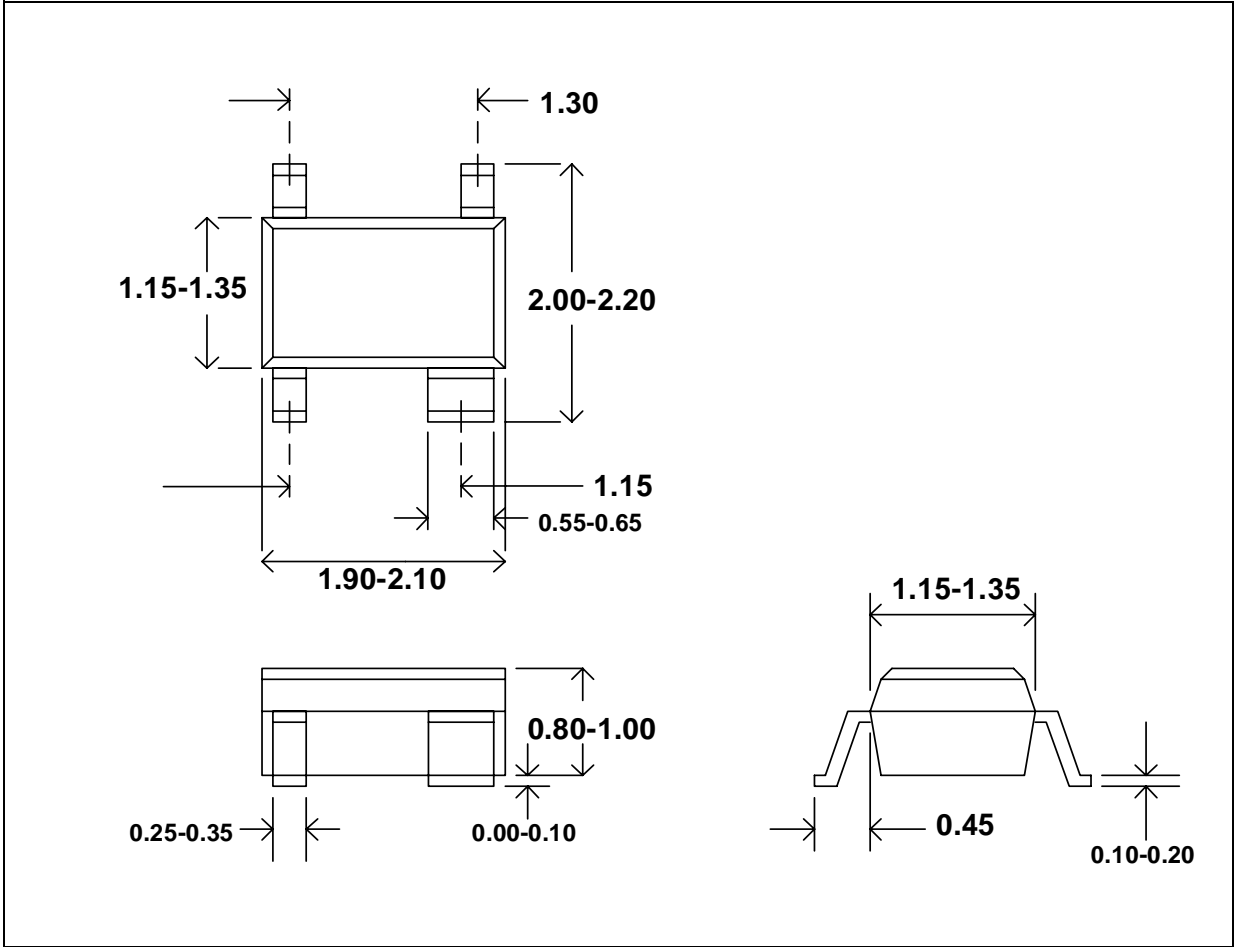


DEVICE ORIENTATION



START420

PACKAGE DIMENSIONS SOT343 (SC-70 4 leads)



Information furnished is believed to be accurate and reliable. However, STMicroelectronics assumes no responsibility for the consequences of use of such information nor for any infringement of patents or other rights of third parties which may result from its use. No license is granted by implication or otherwise under any patent or patent rights of STMicroelectronics. Specifications mentioned in this publication are subject to change without notice. This publication supersedes and replaces all information previously supplied. STMicroelectronics products are not authorized for use as critical components in life support devices or systems without express written approval of STMicroelectronics.

The ST logo is registered trademark of STMicroelectronics
© 2002 STMicroelectronics - All Rights Reserved

All other names are the property of their respective owners.

STMicroelectronics GROUP OF COMPANIES
Australia - Brazil - Canada - China - Finland - France - Germany - Hong Kong - India - Israel - Italy - Japan -
Malaysia - Malta - Morocco - Singapore - Spain - Sweden - Switzerland - United Kingdom - U.S.A.
<http://www.st.com>