



# STB080 Series

## STB80



### 코일정격 (Magnet coil ratings)

| Nominal voltage(V) | Item | Nominal current (mA) | Coil resistance ( $\Omega$ ) | Pull-in voltage (V) | Drop-out voltage (V) | Max. voltage (V) | Coil power(W) dissipation |
|--------------------|------|----------------------|------------------------------|---------------------|----------------------|------------------|---------------------------|
| DC                 | 100  | 139                  | 720                          | 70% max.            | 10% min.             | 110%             | 13 to 15                  |
|                    | 60   | 207                  | 260                          |                     |                      |                  |                           |
|                    | 48   | 290                  | 166                          |                     |                      |                  |                           |
|                    | 24   | 585                  | 41                           |                     |                      |                  |                           |
|                    | 12   | 1130                 | 10.6                         |                     |                      |                  |                           |
|                    | 6    | 2300                 | 2.6                          |                     |                      |                  |                           |

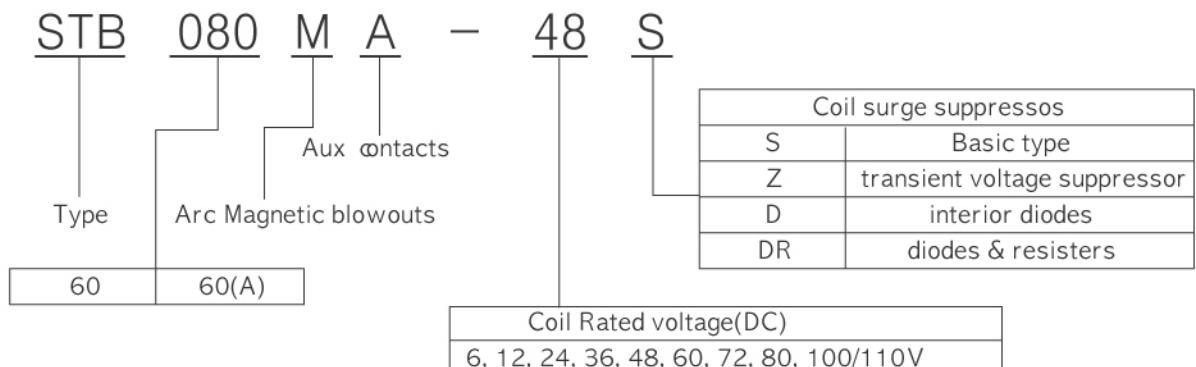
Notes : 1. Nominal current and coil resistance are measured at +20°C.  
 2. Differences of coil resistance are  $\pm 10\%$ .  
 3. Performance characteristic coil temperature is measured at 20°C.

### 접점정격 (Contact ratings)

(60VDC기준)

| Item                                           | Type | 1Pole Resistive load ( $\cos\phi = 1$ ) |
|------------------------------------------------|------|-----------------------------------------|
|                                                |      | STB80                                   |
| Max. switching current                         |      | 60A                                     |
| Max. switching voltages(With blowouts type)    |      | DC 60V                                  |
| Max. switching voltages(Without blowouts type) |      | DC 250V                                 |
| Voltage drop across contacts per 30A           |      | 40mV max.                               |
| Description                                    |      | Nomrmally Closed 1b                     |

### 주문방법 (Ordering information)

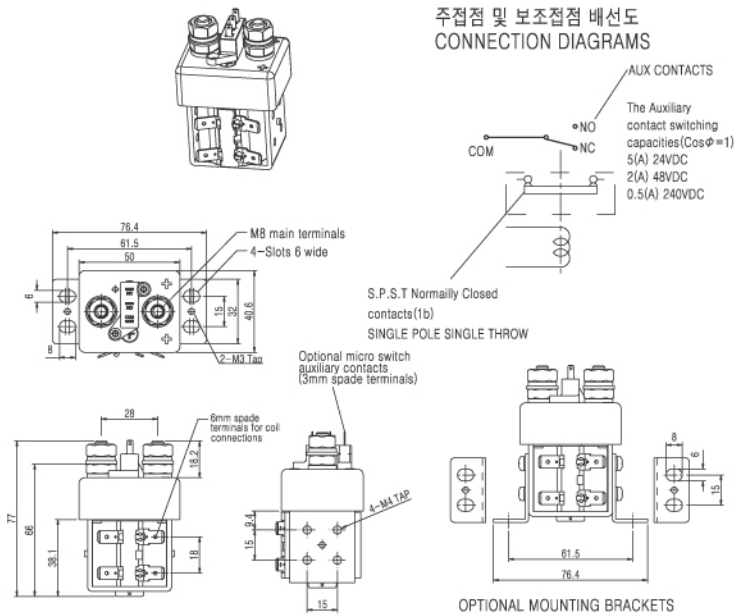


# STB080 Series

STB80



## 외형치수도 (Dimension in mm)



## 특성곡선 (Contact performance curve)

