



# STB25NM60ND-STI25NM60ND STF/P25NM60ND-STW25NM60ND

N-channel 600 V - 0.13  $\Omega$  - 21 A FDmesh™ II Power MOSFET  
D<sup>2</sup>PAK - I<sup>2</sup>PAK - TO-220FP - TO-220 - TO-247

## Features

| Type        | V <sub>DSS</sub> @<br>T <sub>JMAX</sub> | R <sub>DS(on)</sub> max | I <sub>D</sub>      |
|-------------|---|-------------------------|---------------------|
| STB25NM60ND | 650 V                                   | 0.16 $\Omega$           | 21 A                |
| STI25NM60ND |   |                         | 21 A                |
| STF25NM60ND |   |                         | 21 A <sup>(1)</sup> |
| STP25NM60ND |   |                         | 21 A                |
| STW25NM60ND |   |                         | 21 A                |

1. Limited only by maximum temperature allowed

- The worldwide best R<sub>DS(on)</sub>\*area amongst the fast recovery diode devices
- 100% avalanche tested
- Low input capacitance and gate charge
- Low gate input resistance
- Extremely high dv/dt and avalanche capabilities

## Application

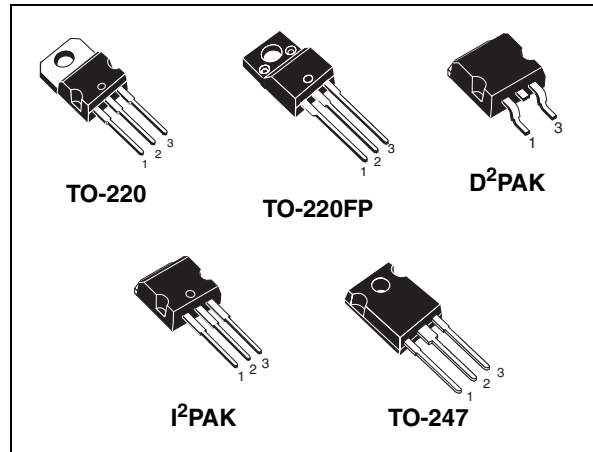
- Switching applications

## Description

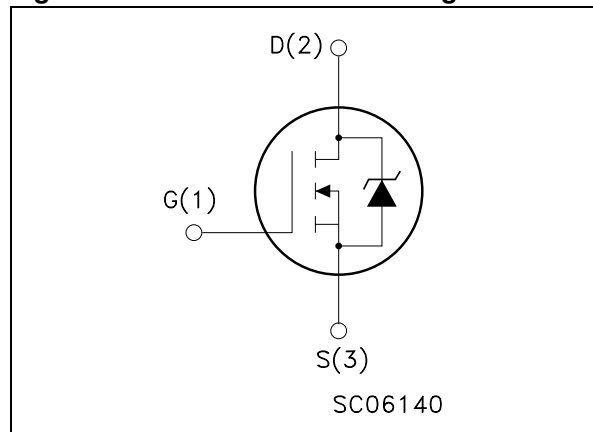
The FDmesh™ II series belongs to the second generation of MDmesh™ technology. This revolutionary Power MOSFET associates a new vertical structure to the company's strip layout and associates all advantages of reduced on-resistance and fast switching with an intrinsic fast-recovery body diode. It is therefore strongly recommended for bridge topologies, in ZVS phase-shift converters.

**Table 1. Device summary**

| Order codes | Marking  | Package            | Packaging     |
|-------------|----------|--------------------|---------------|
| STB25NM60ND | 25NM60ND | D <sup>2</sup> PAK | Tape and reel |
| STI25NM60ND | 25NM60ND | I <sup>2</sup> PAK | Tube          |
| STF25NM60ND | 25NM60ND | TO-220FP           | Tube          |
| STP25NM60ND | 25NM60ND | TO-220             | Tube          |
| STW25NM60ND | 25NM60ND | TO-247             | Tube          |



**Figure 1. Internal schematic diagram**



# Contents

|          |   |           |
|----------|---|-----------|
| <b>1</b> | <b>Electrical ratings</b> .....           | <b>3</b>  |
| <b>2</b> | <b>Electrical characteristics</b> .....   | <b>4</b>  |
| 2.1      | Electrical characteristics (curves) ..... | 6         |
| <b>3</b> | <b>Test circuits</b> .....                | <b>9</b>  |
| <b>4</b> | <b>Package mechanical data</b> .....      | <b>10</b> |
| <b>5</b> | <b>Packing mechanical data</b> .....      | <b>16</b> |
| <b>6</b> | <b>Revision history</b> .....             | <b>17</b> |

www.DataSheet4U.com

# 1 Electrical ratings

**Table 2. Absolute maximum ratings**

| Symbol                         | Parameter  | Value  |                   | Unit |
|--------------------------------|--|--|-------------------|------|
|                                |  | TO-220/D <sup>2</sup> PAK<br>I <sup>2</sup> PAK / TO-247 | TO-220FP          |      |
| V <sub>DS</sub>                | Drain-source voltage (V <sub>GS</sub> = 0)   | 600  |                   | V    |
| V <sub>GS</sub>                | Gate- source voltage   | ±25  |                   | V    |
| I <sub>D</sub>                 | Drain current (continuous) at T <sub>C</sub> = 25 °C   | 21   | 21 <sup>(1)</sup> | A    |
| I <sub>D</sub>                 | Drain current (continuous) at T <sub>C</sub> = 100 °C  | 13   | 13 <sup>(1)</sup> | A    |
| I <sub>DM</sub> <sup>(2)</sup> | Drain current (pulsed)   | 84   | 84(1)             | A    |
| P <sub>TOT</sub>               | Total dissipation at T <sub>C</sub> = 25 °C  | 160  | 40                | W    |
| dv/dt <sup>(3)</sup>           | Peak diode recovery voltage slope  | 40   |                   | V/ns |
| V <sub>iso</sub>               | Insulation withstand voltage (RMS) from all three leads to external heat sink (t=1 s; T <sub>C</sub> =25 °C) | --   | 2500              | V    |
| T <sub>stg</sub>               | Storage temperature  | -55 to 150   |                   | °C   |
| T <sub>J</sub>                 | Max. operating junction temperature  | 150  |                   | °C   |

- Limited only by maximum temperature allowed
- Pulse width limited by safe operating area
- I<sub>SD</sub> ≤ 21 A, di/dt ≤ 600 A/μs, V<sub>DD</sub> = 80% V<sub>(BR)DSS</sub>

**Table 3. Thermal data**

| Symbol                | Parameter                                      | TO-220 | I <sup>2</sup> PAK | TO-247 | D <sup>2</sup> PAK | TO-220FP | Unit |
|-----------------------|--|--------|--------------------|--------|--------------------|----------|------|
| R <sub>thj-case</sub> | Thermal resistance junction-case max           | 0.78   |                    |        |                    | 3.1      | °C/W |
| R <sub>thj-amb</sub>  | Thermal resistance junction-ambient max        | 62.5   |                    | 50     | --                 | 62.5     | °C/W |
| R <sub>thj-pcb</sub>  | Thermal resistance junction-ambient max        | --     | --                 | --     | 30                 | --       | °C/W |
| T <sub>l</sub>        | Maximum lead temperature for soldering purpose | 300    |                    |        |                    |          | °C   |

**Table 4. Avalanche characteristics**

| Symbol          | Parameter  | Max value | Unit |
|-----------------|--|-----------|------|
| I <sub>AS</sub> | Avalanche current, repetitive or not-repetitive (pulse width limited by T <sub>J</sub> max)                                | 10        | A    |
| E <sub>AS</sub> | Single pulse avalanche energy (starting T <sub>J</sub> = 25 °C, I <sub>D</sub> = I <sub>AS</sub> , V <sub>DD</sub> = 50 V) | 850       | mJ   |

## 2 Electrical characteristics

(T<sub>CASE</sub>=25 °C unless otherwise specified)

**Table 5. On/off states**

| Symbol               | Parameter   | Test conditions  | Value |      |          | Unit     |
|----------------------|---|--|-------|------|----------|----------|
|                      |   |  | Min.  | Typ. | Max.     |          |
| V <sub>(BR)DSS</sub> | Drain-source breakdown voltage                        | I <sub>D</sub> = 1 mA, V <sub>GS</sub> = 0                             | 600   |      |          | V        |
| dv/dt <sup>(1)</sup> | Drain source voltage slope                            | V <sub>DD</sub> = 480 V, I <sub>D</sub> = 21 A, V <sub>GS</sub> = 10 V | 48    |      |          | V/ns     |
| I <sub>DSS</sub>     | Zero gate voltage drain current (V <sub>GS</sub> = 0) | V <sub>DS</sub> = Max rating<br>V <sub>DS</sub> = Max rating @ 125 °C  |       |      | 1<br>100 | μA<br>μA |
| I <sub>GSS</sub>     | Gate-body leakage current (V <sub>DS</sub> = 0)       | V <sub>GS</sub> = ± 20 V   |       |      | 100      | nA       |
| V <sub>GS(th)</sub>  | Gate threshold voltage                                | V <sub>DS</sub> = V <sub>GS</sub> , I <sub>D</sub> = 250 μA            | 3     | 4    | 5        | V        |
| R <sub>DS(on)</sub>  | Static drain-source on resistance                     | V <sub>GS</sub> = 10 V, I <sub>D</sub> = 10.5 A                        |       | 0.13 | 0.16     | Ω        |

1. Characteristic value at turn off on inductive load

**Table 6. Dynamic**

| Symbol  | Parameter   | Test conditions  | Min. | Typ.                 | Max. | Unit                 |
|---|---|--|------|----------------------|------|----------------------|
| g <sub>fs</sub> <sup>(1)</sup>  | Forward transconductance  | V <sub>DS</sub> = 15 V, I <sub>D</sub> = 10.5 A  |      | 17                   |      | S                    |
| C <sub>iss</sub><br>C <sub>oss</sub><br>C <sub>rss</sub>                      | Input capacitance<br>Output capacitance<br>Reverse transfer capacitance | V <sub>DS</sub> = 50 V, f = 1 MHz,<br>V <sub>GS</sub> = 0  |      | 2400<br>150<br>15    |      | pF<br>pF<br>pF       |
| C <sub>oss eq.</sub> <sup>(2)</sup>   | Equivalent output capacitance   | V <sub>GS</sub> = 0, V <sub>DS</sub> = 0 to 480 V  |      | 320                  |      | pF                   |
| t <sub>d(on)</sub><br>t <sub>r</sub><br>t <sub>d(off)</sub><br>t <sub>f</sub> | Turn-on delay time<br>Rise time<br>Turn-off delay time<br>Fall time     | V <sub>DD</sub> = 300 V, I <sub>D</sub> = 10.5 A<br>R <sub>G</sub> = 4.7 Ω V <sub>GS</sub> = 10 V<br><i>(see Figure 23),</i><br><i>(see Figure 18)</i> |      | 60<br>30<br>50<br>40 |      | ns<br>ns<br>ns<br>ns |
| Q <sub>g</sub><br>Q <sub>gs</sub><br>Q <sub>gd</sub>                          | Total gate charge<br>Gate-source charge<br>Gate-drain charge            | V <sub>DD</sub> = 480 V, I <sub>D</sub> = 21 A,<br>V <sub>GS</sub> = 10 V,<br><i>(see Figure 19)</i>   |      | 80<br>40<br>15       |      | nC<br>nC<br>nC       |
| R <sub>g</sub>  | Gate input resistance   | f=1 MHz Gate DC Bias=0<br>Test signal level = 20 mV<br>Open drain  |      | 1.6                  |      | Ω                    |

1. Pulsed: pulse duration=300μs, duty cycle 1.5%

2. C<sub>oss eq.</sub> is defined as a constant equivalent capacitance giving the same charging time as C<sub>oss</sub> when V<sub>DS</sub> increases from 0 to 80% V<sub>DSS</sub>

Table 7. Source drain diode

| Symbol          | Parameter                     | Test conditions   | Min. | Typ. | Max. | Unit          |
|-----------------|-------------------------------|---|------|------|------|---------------|
| $I_{SD}$        | Source-drain current          |   |      |      | 21   | A             |
| $I_{SDM}^{(1)}$ | Source-drain current (pulsed) |   |      |      | 84   | A             |
| $V_{SD}^{(2)}$  | Forward on voltage            | $I_{SD} = 21\text{ A}, V_{GS} = 0$  |      |      | 1.3  | V             |
| $t_{rr}$        | Reverse recovery time         | $I_{SD} = 21\text{ A}, V_{DD} = 60\text{ V}$<br>$di/dt = 100\text{ A}/\mu\text{s}$<br><i>(see Figure 20)</i>  |      | 160  |      | ns            |
| $Q_{rr}$        | Reverse recovery charge       |   |      | 1    |      | $\mu\text{C}$ |
| $I_{RRM}$       | Reverse recovery current      |   |      | 15   |      | A             |
| $t_{rr}$        | Reverse recovery time         | $I_{SD} = 21\text{ A}, V_{DD} = 60\text{ V}$<br>$di/dt = 100\text{ A}/\mu\text{s}$ ,<br>$T_J = 150\text{ }^\circ\text{C}$<br><i>(see Figure 20)</i> |      | 230  |      | ns            |
| $Q_{rr}$        | Reverse recovery charge       |   |      | 2    |      | $\mu\text{C}$ |
| $I_{RRM}$       | Reverse recovery current      |   |      | 19   |      | A             |

1. Pulse width limited by safe operating area
2. Pulsed: Pulse duration = 300  $\mu\text{s}$ , duty cycle 1.5%.

## 2.1 Electrical characteristics (curves)

Figure 2. Safe operating area for TO-220 / D<sup>2</sup>PAK / I<sup>2</sup>PAK

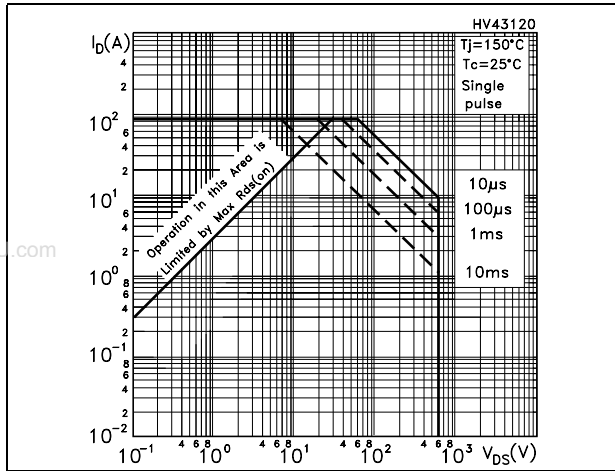


Figure 3. Thermal impedance for TO-220 / D<sup>2</sup>PAK / I<sup>2</sup>PAK

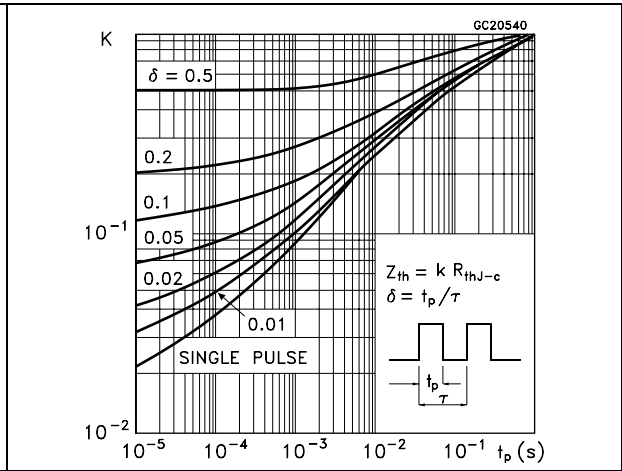


Figure 4. Safe operating area for TO-220FP

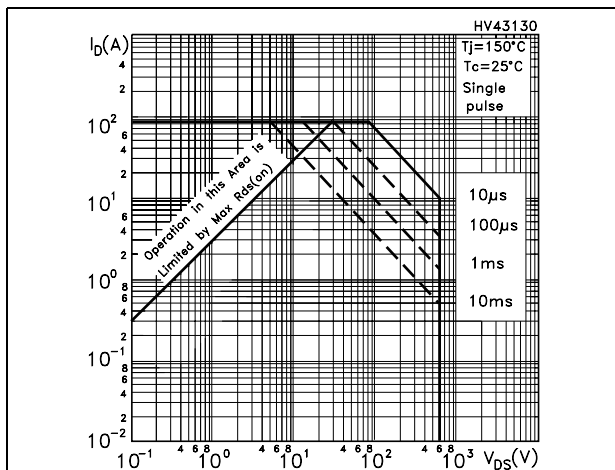


Figure 5. Thermal impedance for TO-220FP

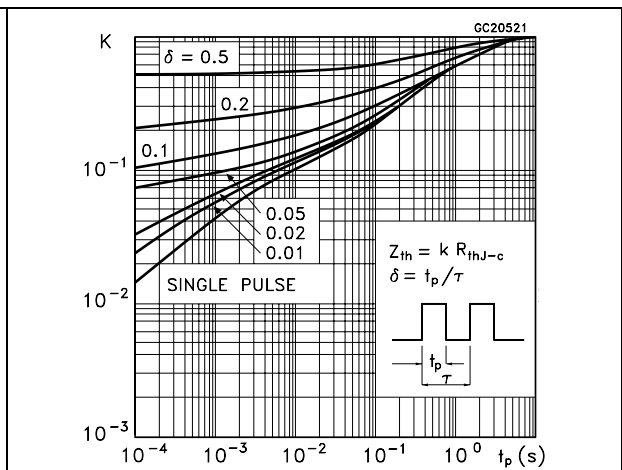


Figure 6. Safe operating area for TO-247

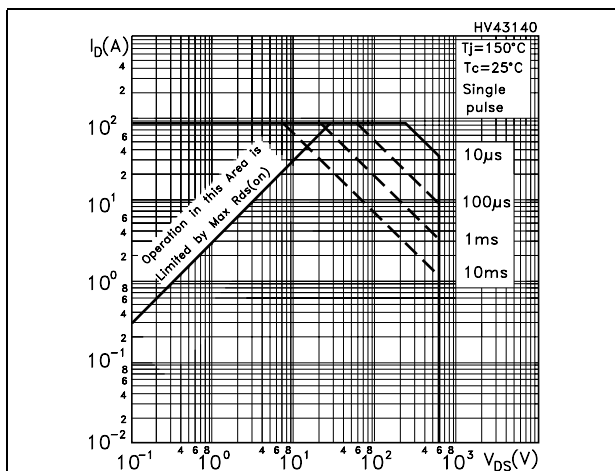


Figure 7. Thermal impedance for TO-247

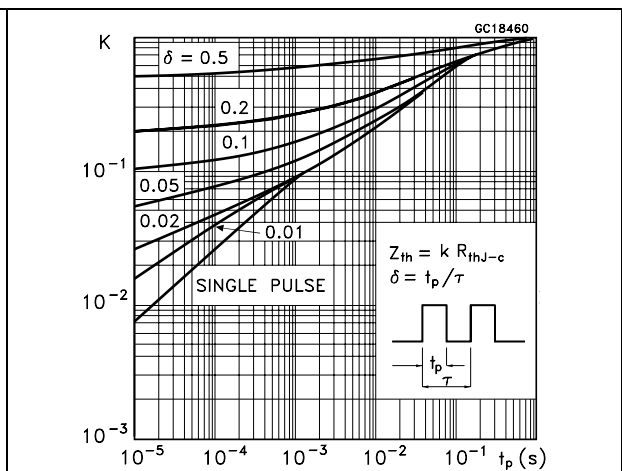


Figure 8. Output characteristics

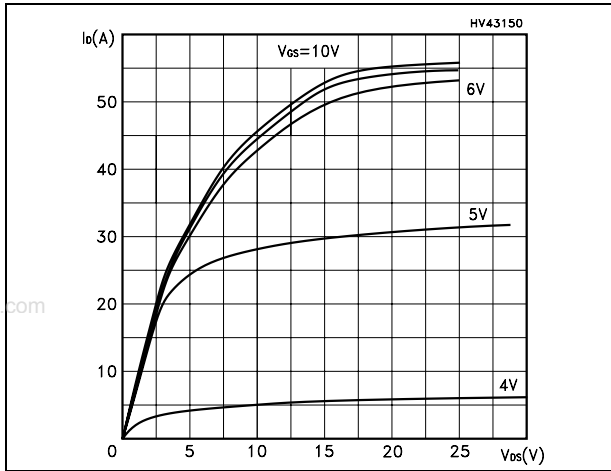


Figure 9. Transfer characteristics

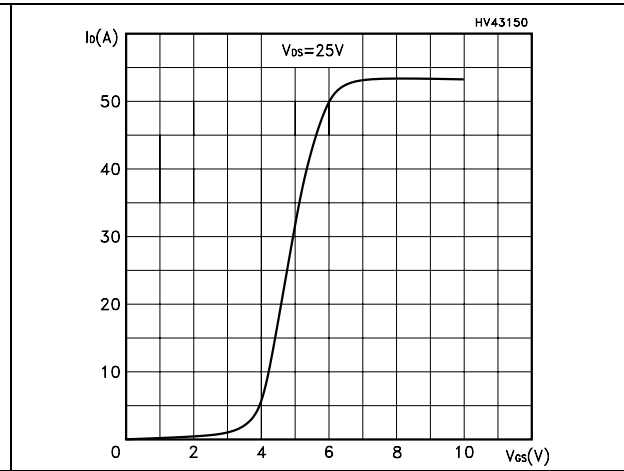


Figure 10. Transconductance

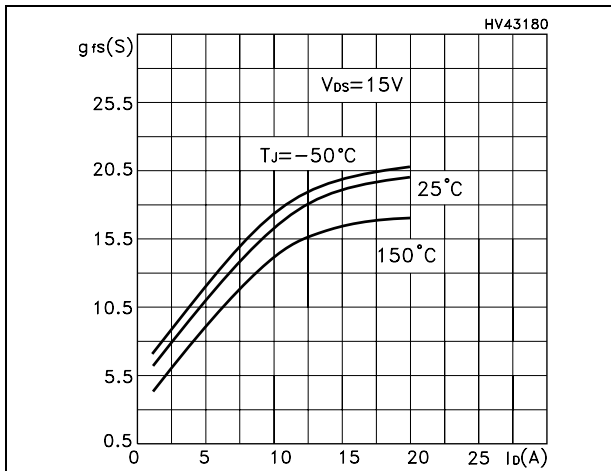


Figure 11. Static drain-source on resistance

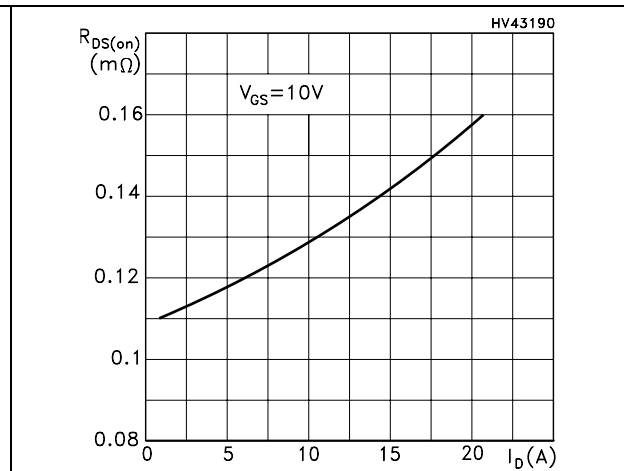


Figure 12. Gate charge vs gate-source voltage Figure 13. Capacitance variations

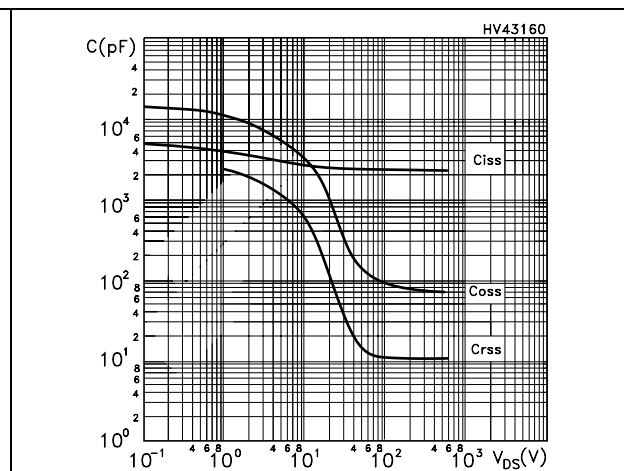
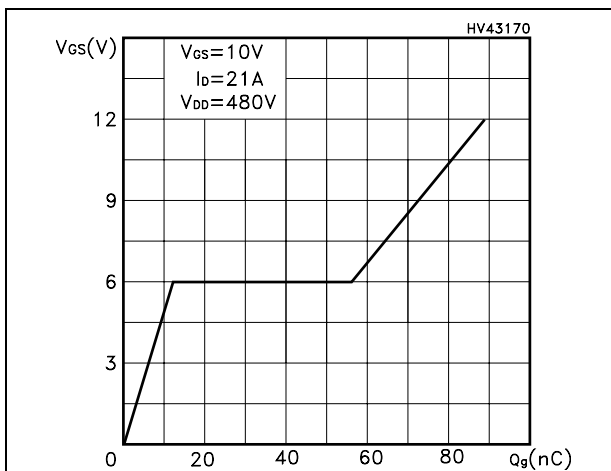


Figure 14. Normalized gate threshold voltage vs temperature

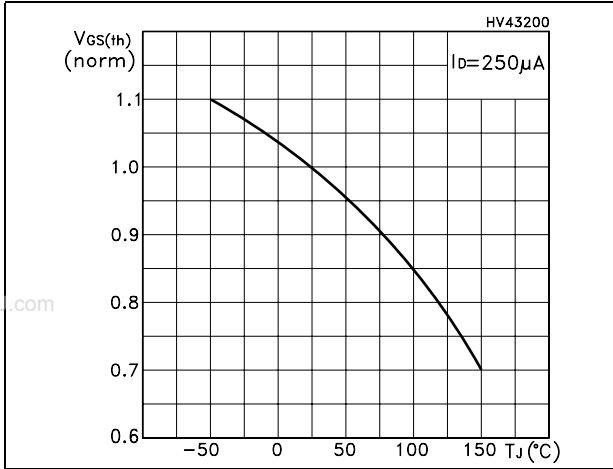


Figure 15. Normalized on resistance vs temperature

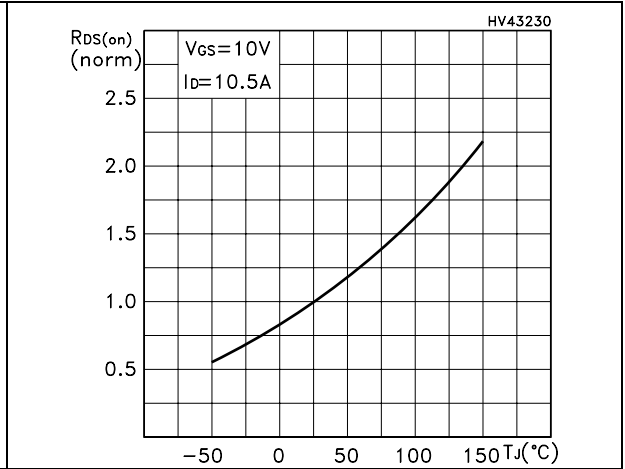


Figure 16. Source-drain diode forward characteristics

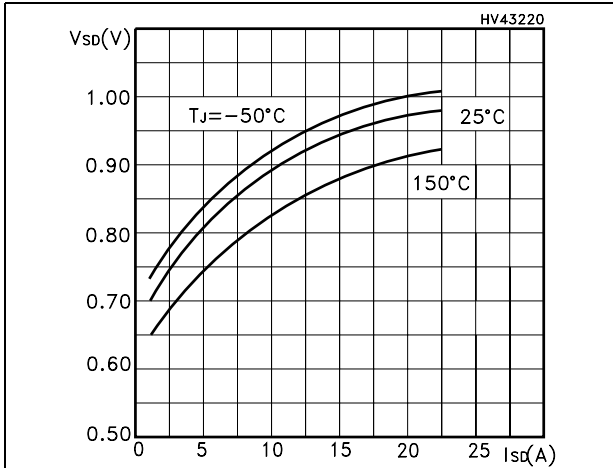
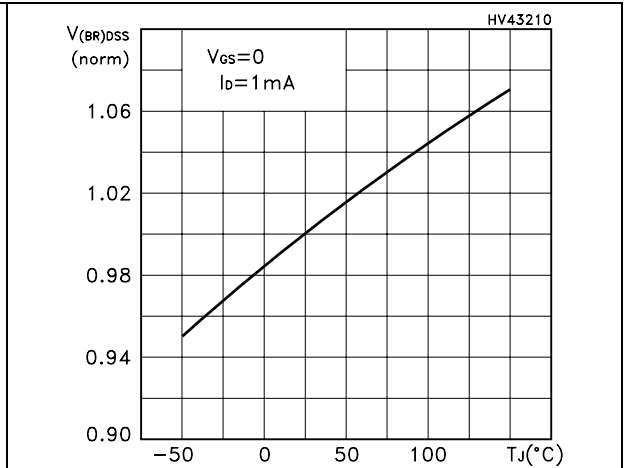


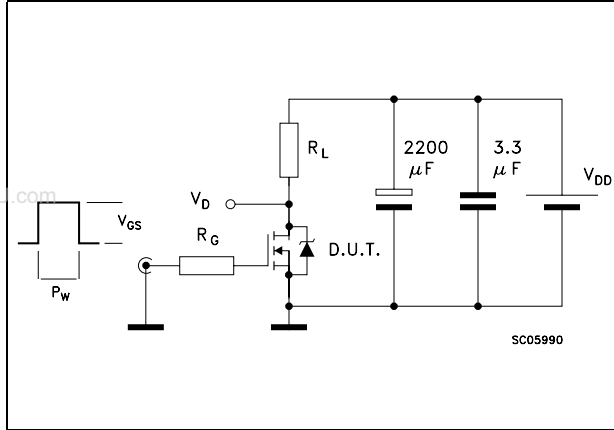
Figure 17. Normalized B<sub>VDSS</sub> vs temperature



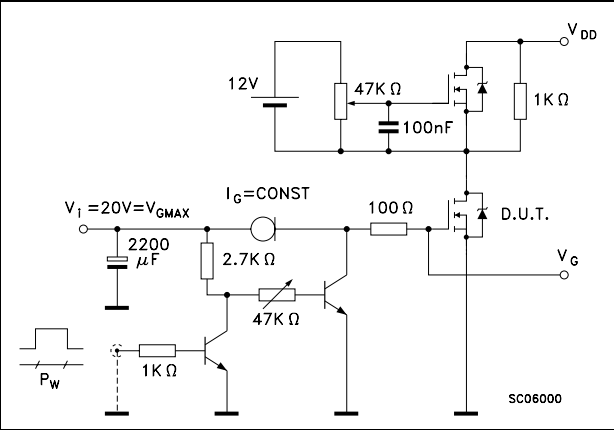


### 3 Test circuits

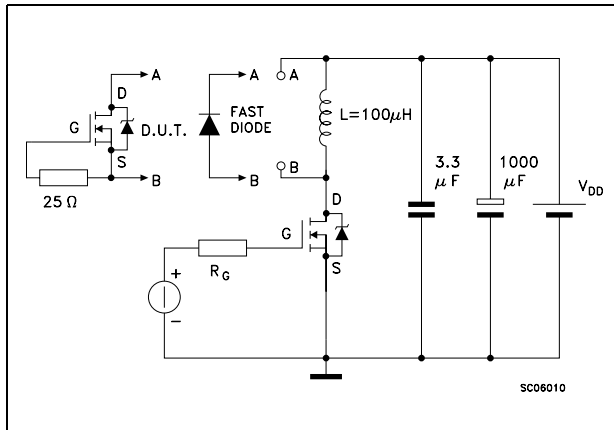
**Figure 18. Switching times test circuit for resistive load**



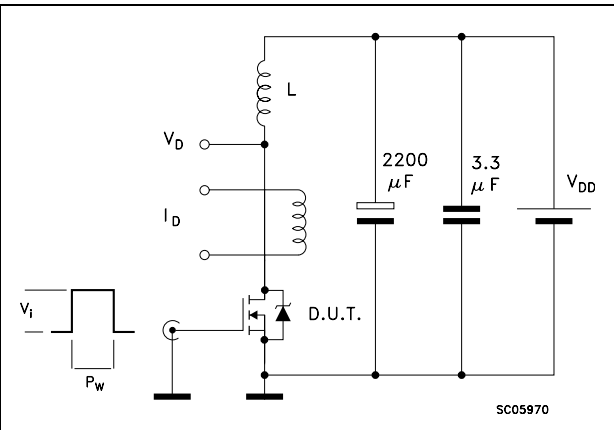
**Figure 19. Gate charge test circuit**



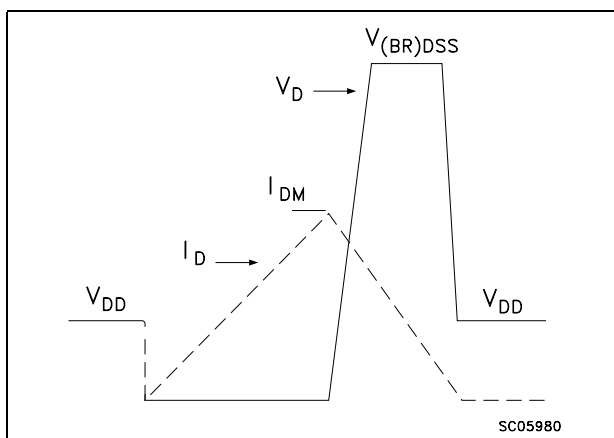
**Figure 20. Test circuit for inductive load switching and diode recovery times**



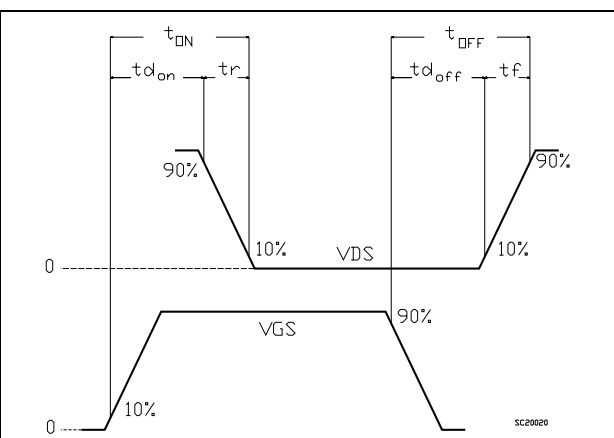
**Figure 21. Unclamped Inductive load test circuit**



**Figure 22. Unclamped inductive waveform**



**Figure 23. Switching time waveform**



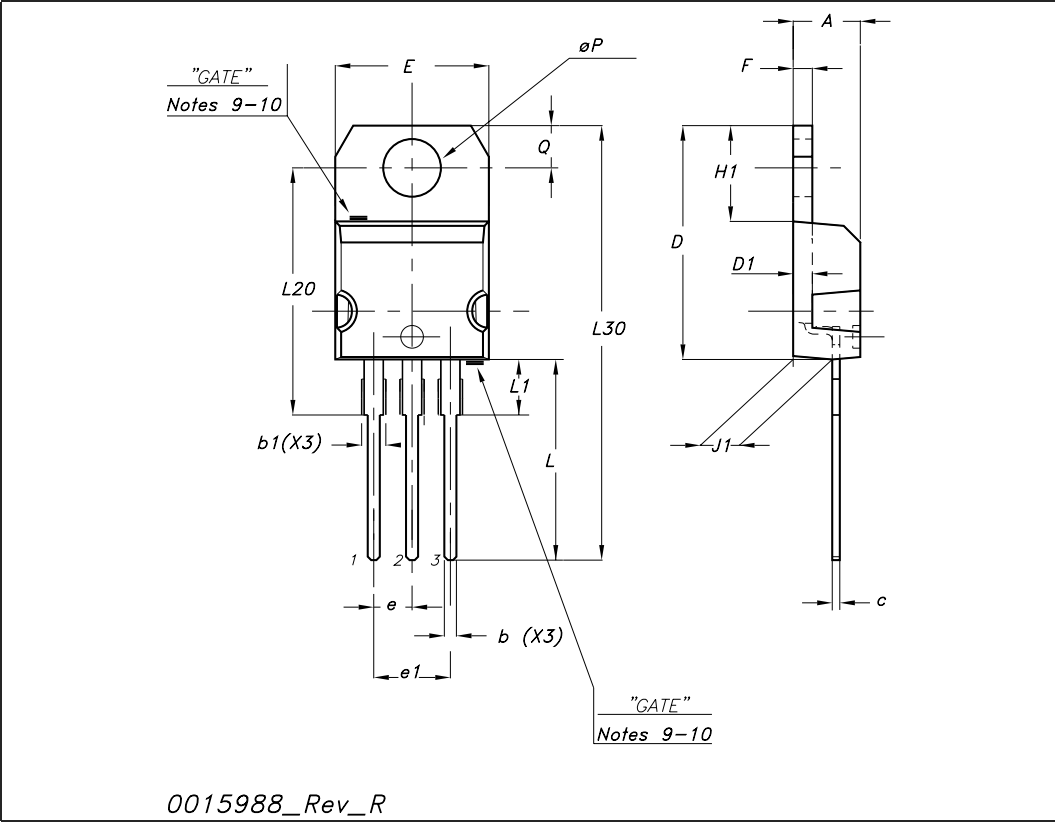
## 4      **Package mechanical data**

In order to meet environmental requirements, ST offers these devices in ECOPACK® packages. These packages have a lead-free second level interconnect. The category of second level interconnect is marked on the package and on the inner box label, in compliance with JEDEC Standard JESD97. The maximum ratings related to soldering conditions are also marked on the inner box label. ECOPACK is an ST trademark. ECOPACK specifications are available at: [www.st.com](http://www.st.com)

TO-220 mechanical data

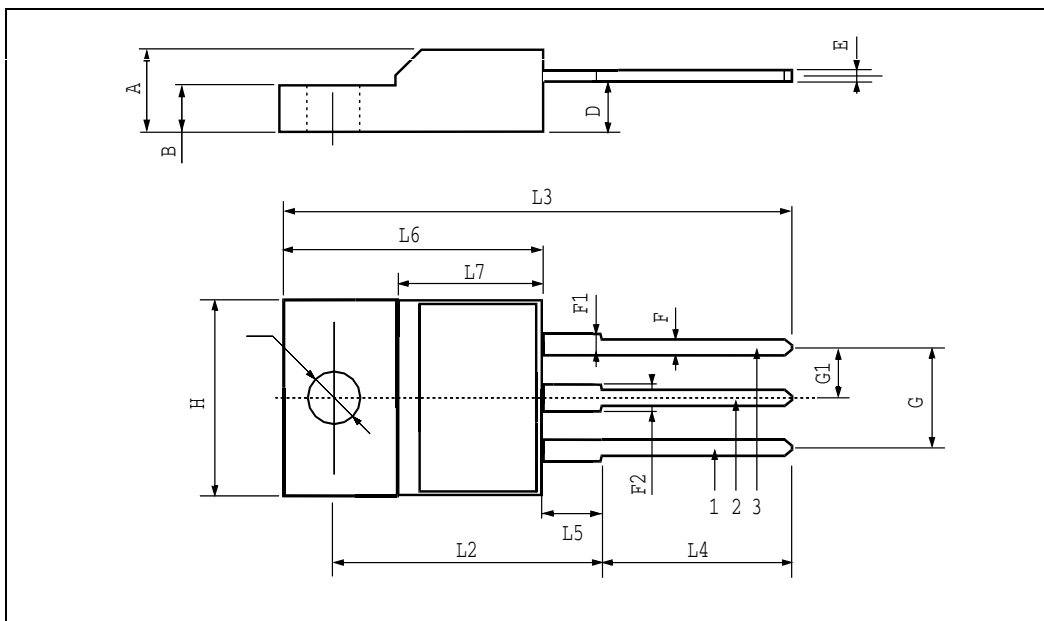
| Dim | mm    |       |       | inch  |       |       |
|-----|-------|-------|-------|-------|-------|-------|
|     | Min   | Typ   | Max   | Min   | Typ   | Max   |
| A   | 4.40  |       | 4.60  | 0.173 |       | 0.181 |
| b   | 0.61  |       | 0.88  | 0.024 |       | 0.034 |
| b1  | 1.14  |       | 1.70  | 0.044 |       | 0.066 |
| c   | 0.48  |       | 0.70  | 0.019 |       | 0.027 |
| D   | 15.25 |       | 15.75 | 0.6   |       | 0.62  |
| D1  |       | 1.27  |       |       | 0.050 |       |
| E   | 10    |       | 10.40 | 0.393 |       | 0.409 |
| e   | 2.40  |       | 2.70  | 0.094 |       | 0.106 |
| e1  | 4.95  |       | 5.15  | 0.194 |       | 0.202 |
| F   | 1.23  |       | 1.32  | 0.048 |       | 0.051 |
| H1  | 6.20  |       | 6.60  | 0.244 |       | 0.256 |
| J1  | 2.40  |       | 2.72  | 0.094 |       | 0.107 |
| L   | 13    |       | 14    | 0.511 |       | 0.551 |
| L1  | 3.50  |       | 3.93  | 0.137 |       | 0.154 |
| L20 |       | 16.40 |       |       | 0.645 |       |
| L30 |       | 28.90 |       |       | 1.137 |       |
| ∅P  | 3.75  |       | 3.85  | 0.147 |       | 0.151 |
| Q   | 2.65  |       | 2.95  | 0.104 |       | 0.116 |

www.DataSheet4U.com



**TO-220FP mechanical data**

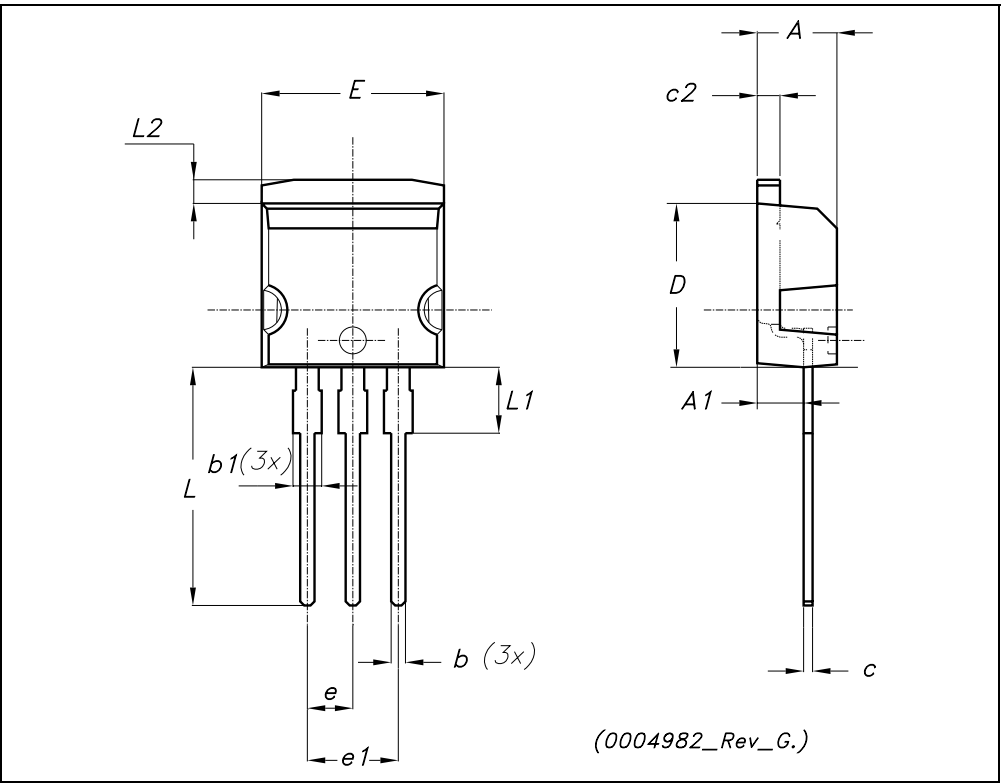
| DIM. | mm.  |      |      | inch  |       |       |
|------|------|------|------|-------|-------|-------|
|      | Min. | Typ. | Max. | Min.  | Typ.  | Max.  |
| A    | 4.4  |      | 4.6  | 0.173 |       | 0.181 |
| B    | 2.5  |      | 2.7  | 0.098 |       | 0.106 |
| D    | 2.5  |      | 2.75 | 0.098 |       | 0.108 |
| E    | 0.45 |      | 0.7  | 0.017 |       | 0.027 |
| F    | 0.75 |      | 1    | 0.030 |       | 0.039 |
| F1   | 1.15 |      | 1.7  | 0.045 |       | 0.067 |
| F2   | 1.15 |      | 1.7  | 0.045 |       | 0.067 |
| G    | 4.95 |      | 5.2  | 0.195 |       | 0.204 |
| G1   | 2.4  |      | 2.7  | 0.094 |       | 0.106 |
| H    | 10   |      | 10.4 | 0.393 |       | 0.409 |
| L2   |      | 16   |      |       | 0.630 |       |
| L3   | 28.6 |      | 30.6 | 1.126 |       | 1.204 |
| L4   | 9.8  |      | 10.6 | .0385 |       | 0.417 |
| L5   | 2.9  |      | 3.6  | 0.114 |       | 0.141 |
| L6   | 15.9 |      | 16.4 | 0.626 |       | 0.645 |
| L7   | 9    |      | 9.3  | 0.354 |       | 0.366 |
| Ø    | 3    |      | 3.2  | 0.118 |       | 0.126 |



**TO-262 (I<sup>2</sup>PAK) mechanical data**

| DIM. | mm.  |      |       | inch  |      |       |
|------|------|------|-------|-------|------|-------|
|      | Min. | Typ. | Max.  | Min.  | Typ. | Max.  |
| A    | 4.40 |      | 4.60  | 0.173 |      | 0.181 |
| A1   | 2.40 |      | 2.72  | 0.094 |      | 0.107 |
| b    | 0.61 |      | 0.88  | 0.024 |      | 0.034 |
| b1   | 1.14 |      | 1.70  | 0.044 |      | 0.066 |
| c    | 0.49 |      | 0.70  | 0.019 |      | 0.027 |
| c2   | 1.23 |      | 1.32  | 0.048 |      | 0.052 |
| D    | 8.95 |      | 9.35  | 0.352 |      | 0.368 |
| e    | 2.40 |      | 2.70  | 0.094 |      | 0.106 |
| e1   | 4.95 |      | 5.15  | 0.194 |      | 0.202 |
| E    | 10   |      | 10.40 | 0.393 |      | 0.410 |
| L    | 13   |      | 14    | 0.511 |      | 0.551 |
| L1   | 3.50 |      | 3.93  | 0.137 |      | 0.154 |
| L2   | 1.27 |      | 1.40  | 0.050 |      | 0.055 |

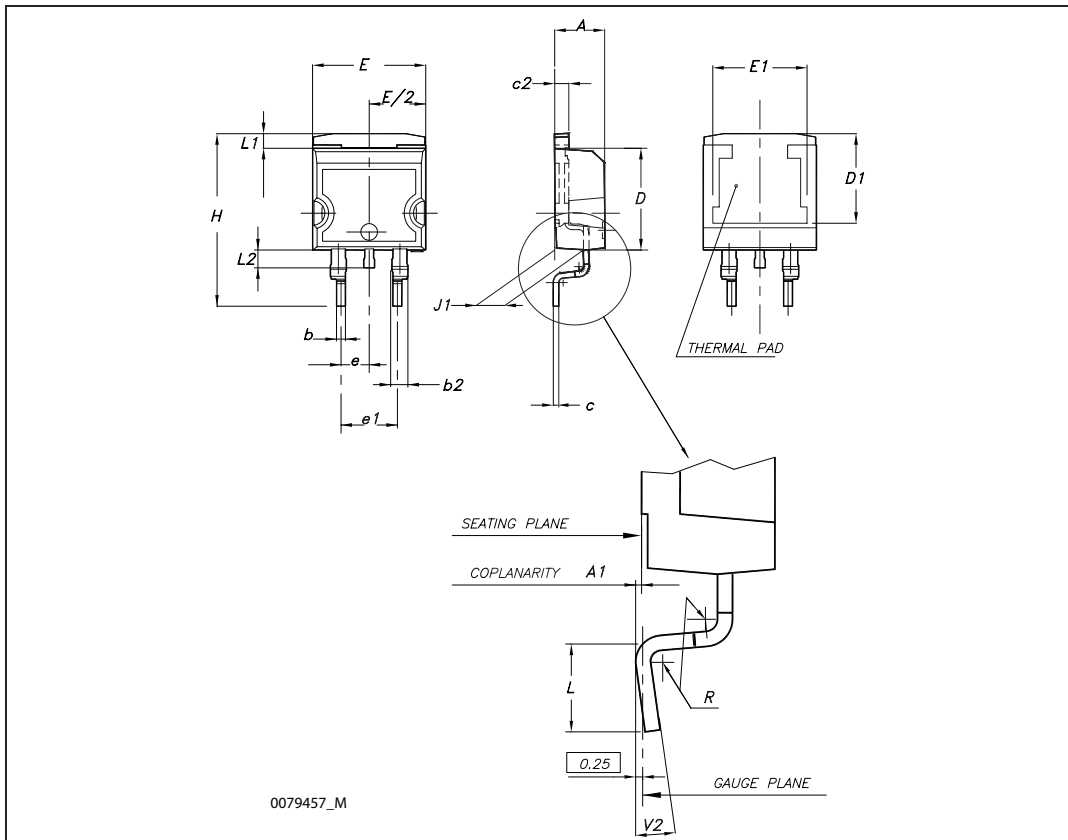
www.DataSheet4U.com



D<sup>2</sup>PAK (TO-263) mechanical data

| Dim | mm   |      |       | inch  |       |       |
|-----|------|------|-------|-------|-------|-------|
|     | Min  | Typ  | Max   | Min   | Typ   | Max   |
| A   | 4.40 |      | 4.60  | 0.173 |       | 0.181 |
| A1  | 0.03 |      | 0.23  | 0.001 |       | 0.009 |
| b   | 0.70 |      | 0.93  | 0.027 |       | 0.037 |
| b2  | 1.14 |      | 1.70  | 0.045 |       | 0.067 |
| c   | 0.45 |      | 0.60  | 0.017 |       | 0.024 |
| c2  | 1.23 |      | 1.36  | 0.048 |       | 0.053 |
| D   | 8.95 |      | 9.35  | 0.352 |       | 0.368 |
| D1  | 7.50 |      |       | 0.295 |       |       |
| E   | 10   |      | 10.40 | 0.394 |       | 0.409 |
| E1  | 8.50 |      |       | 0.334 |       |       |
| e   |      | 2.54 |       |       | 0.1   |       |
| e1  | 4.88 |      | 5.28  | 0.192 |       | 0.208 |
| H   | 15   |      | 15.85 | 0.590 |       | 0.624 |
| J1  | 2.49 |      | 2.69  | 0.099 |       | 0.106 |
| L   | 2.29 |      | 2.79  | 0.090 |       | 0.110 |
| L1  | 1.27 |      | 1.40  | 0.05  |       | 0.055 |
| L2  | 1.30 |      | 1.75  | 0.051 |       | 0.069 |
| R   |      | 0.4  |       |       | 0.016 |       |
| V2  | 0°   |      | 8°    | 0°    |       | 8°    |

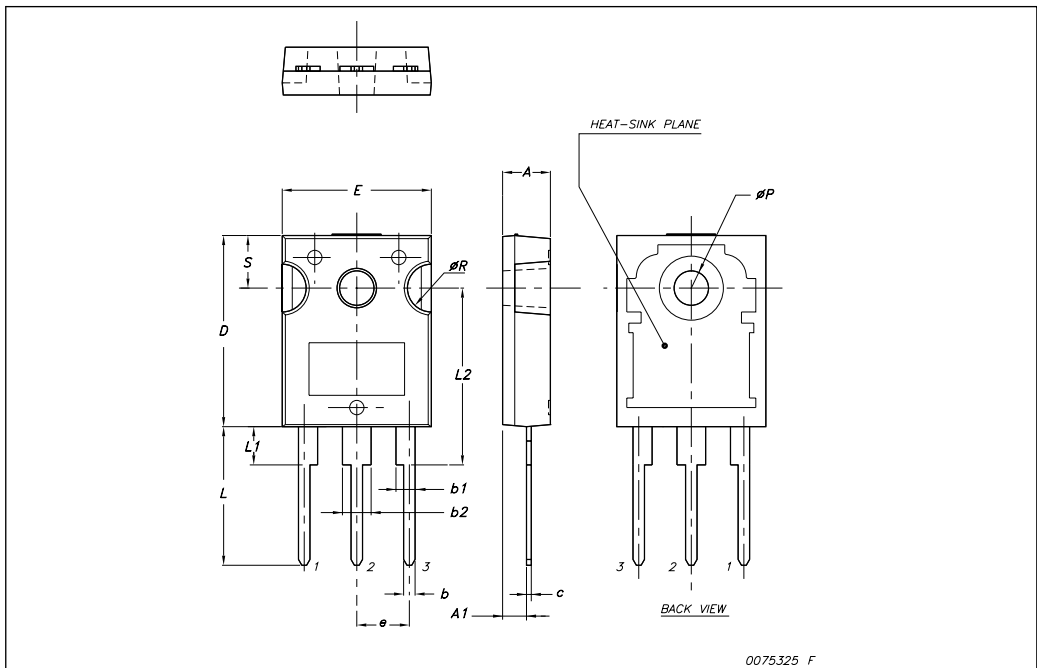
www.DataSheet4U.com



**TO-247 Mechanical data**

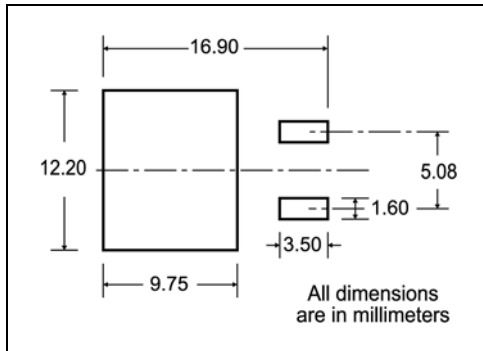
| Dim. | mm.   |       |       |
|------|-------|-------|-------|
|      | Min.  | Typ   | Max.  |
| A    | 4.85  |       | 5.15  |
| A1   | 2.20  |       | 2.60  |
| b    | 1.0   |       | 1.40  |
| b1   | 2.0   |       | 2.40  |
| b2   | 3.0   |       | 3.40  |
| c    | 0.40  |       | 0.80  |
| D    | 19.85 |       | 20.15 |
| E    | 15.45 |       | 15.75 |
| e    |       | 5.45  |       |
| L    | 14.20 |       | 14.80 |
| L1   | 3.70  |       | 4.30  |
| L2   |       | 18.50 |       |
| øP   | 3.55  |       | 3.65  |
| øR   | 4.50  |       | 5.50  |
| S    |       | 5.50  |       |

www.DataSheet4U.com



## 5 Packing mechanical data

### D<sup>2</sup>PAK FOOTPRINT



www.DataSheet4U.com

### TAPE AND REEL SHIPMENT

**TAPE MECHANICAL DATA**

| DIM. | mm   |      | inch   |        |
|------|------|------|--------|--------|
|      | MIN. | MAX. | MIN.   | MAX.   |
| A0   | 10.5 | 10.7 | 0.413  | 0.421  |
| B0   | 15.7 | 15.9 | 0.618  | 0.626  |
| D    | 1.5  | 1.6  | 0.059  | 0.063  |
| D1   | 1.59 | 1.61 | 0.062  | 0.063  |
| E    | 1.65 | 1.85 | 0.065  | 0.073  |
| F    | 11.4 | 11.6 | 0.449  | 0.456  |
| K0   | 4.8  | 5.0  | 0.189  | 0.197  |
| P0   | 3.9  | 4.1  | 0.153  | 0.161  |
| P1   | 11.9 | 12.1 | 0.468  | 0.476  |
| P2   | 1.9  | 2.1  | 0.075  | 0.082  |
| R    | 50   |      | 1.574  |        |
| T    | 0.25 | 0.35 | 0.0098 | 0.0137 |
| W    | 23.7 | 24.3 | 0.933  | 0.956  |

**REEL MECHANICAL DATA**

| DIM. | mm   |      | inch  |        |
|------|------|------|-------|--------|
|      | MIN. | MAX. | MIN.  | MAX.   |
| A    |      | 330  |       | 12.992 |
| B    | 1.5  |      | 0.059 |        |
| C    | 12.8 | 13.2 | 0.504 | 0.520  |
| D    | 20.2 |      | 0.795 |        |
| G    | 24.4 | 26.4 | 0.960 | 1.039  |
| N    | 100  |      | 3.937 |        |
| T    |      | 30.4 |       | 1.197  |

| BASE QTY | BULK QTY |
|----------|----------|
| 1000     | 1000     |

**TRL**

\* on sales type



## 6 Revision history

**Table 8. Document revision history**

| Date        | Revision | Changes   |
|-------------|----------|---|
| 15-Nov-2007 | 1        | First release.  |
| 22-Jan-2008 | 2        | Document status promoted from target specification to preliminary data.   |
| 08-Apr-2008 | 3        | <ul style="list-style-type: none"><li>– Updated <a href="#">Table 3: Thermal data on page 3</a>;</li><li>– Document status promoted from preliminary data to datasheet.</li></ul> |

www.DataSheet4U.com

**Please Read Carefully:**

Information in this document is provided solely in connection with ST products. STMicroelectronics NV and its subsidiaries ("ST") reserve the right to make changes, corrections, modifications or improvements, to this document, and the products and services described herein at any time, without notice.

All ST products are sold pursuant to ST's terms and conditions of sale.

Purchasers are solely responsible for the choice, selection and use of the ST products and services described herein, and ST assumes no liability whatsoever relating to the choice, selection or use of the ST products and services described herein.

No license, express or implied, by estoppel or otherwise, to any intellectual property rights is granted under this document. If any part of this document refers to any third party products or services it shall not be deemed a license grant by ST for the use of such third party products or services, or any intellectual property contained therein or considered as a warranty covering the use in any manner whatsoever of such third party products or services or any intellectual property contained therein.

**UNLESS OTHERWISE SET FORTH IN ST'S TERMS AND CONDITIONS OF SALE ST DISCLAIMS ANY EXPRESS OR IMPLIED WARRANTY WITH RESPECT TO THE USE AND/OR SALE OF ST PRODUCTS INCLUDING WITHOUT LIMITATION IMPLIED WARRANTIES OF MERCHANTABILITY, FITNESS FOR A PARTICULAR PURPOSE (AND THEIR EQUIVALENTS UNDER THE LAWS OF ANY JURISDICTION), OR INFRINGEMENT OF ANY PATENT, COPYRIGHT OR OTHER INTELLECTUAL PROPERTY RIGHT.**

**UNLESS EXPRESSLY APPROVED IN WRITING BY AN AUTHORIZED ST REPRESENTATIVE, ST PRODUCTS ARE NOT RECOMMENDED, AUTHORIZED OR WARRANTED FOR USE IN MILITARY, AIR CRAFT, SPACE, LIFE SAVING, OR LIFE SUSTAINING APPLICATIONS, NOR IN PRODUCTS OR SYSTEMS WHERE FAILURE OR MALFUNCTION MAY RESULT IN PERSONAL INJURY, DEATH, OR SEVERE PROPERTY OR ENVIRONMENTAL DAMAGE. ST PRODUCTS WHICH ARE NOT SPECIFIED AS "AUTOMOTIVE GRADE" MAY ONLY BE USED IN AUTOMOTIVE APPLICATIONS AT USER'S OWN RISK.**

Resale of ST products with provisions different from the statements and/or technical features set forth in this document shall immediately void any warranty granted by ST for the ST product or service described herein and shall not create or extend in any manner whatsoever, any liability of ST.

ST and the ST logo are trademarks or registered trademarks of ST in various countries.

Information in this document supersedes and replaces all information previously supplied.

The ST logo is a registered trademark of STMicroelectronics. All other names are the property of their respective owners.

© 2008 STMicroelectronics - All rights reserved

STMicroelectronics group of companies

Australia - Belgium - Brazil - Canada - China - Czech Republic - Finland - France - Germany - Hong Kong - India - Israel - Italy - Japan - Malaysia - Malta - Morocco - Singapore - Spain - Sweden - Switzerland - United Kingdom - United States of America

[www.st.com](http://www.st.com)