



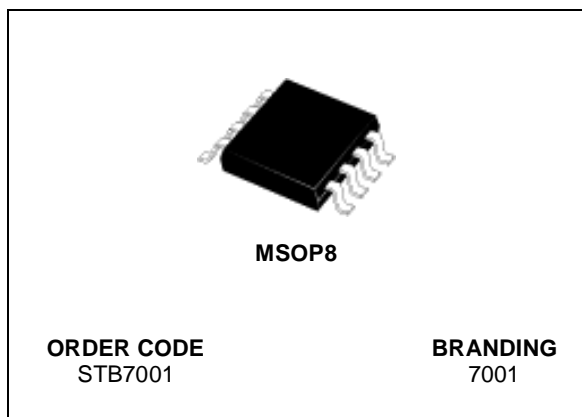
STB7001

900 MHz THREE GAIN LEVEL LNA

- FULLY INTEGRATED 900 MHz LNA
- THREE GAIN LEVELS (0dB, 18dB, 26dB typ. @ 2.8V)
- LOW NOISE FIGURE
- TEMPERATURE COMPENSATED

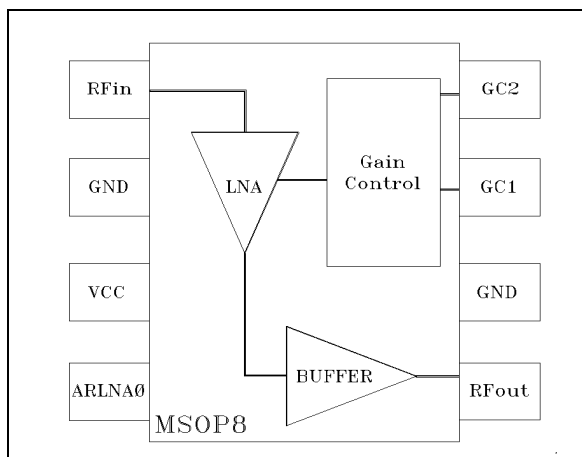
APPLICATIONS

- GSM HANDSETS



DESCRIPTION

The STB7001 is a Silicon monolithic amplifier, that offers low noise figure and three gain levels for 900-MHz applications. STB7001 is housed in a small industry-standard MSOP8 surface mount package, requiring very little board space (50% reduction vs SO8 Package). MSOP8 dimensions are 3mmx5mm with a 1.1mm thickness. The device is ESD protected and requires minimum external components in the application circuit, for the on-chip bias and gain control. Furthermore, temperature and supply voltage compensation assures high stability over a wide range of operating conditions.



ABSOLUTE MAXIMUM RATINGS

Symbol	Parameter	Value	Unit
V _{cc}	Supply voltage	5.5	V
T _j	Junction Temperature	150	°C
T _{stg}	Storage temperature	-40 to +85	°C

THERMAL DATA

Symbol	Parameter	Value	Unit
R _{th(j-a)}	Junction -ambient Thermal Resistance	200	°C/W

ELECTRICAL SPECIFICATION ($T_{amb} = 25^{\circ}\text{C}$, $V_{cc} = 2.8\text{V}$)

Symbol	Parameters	Test Conditions	Min.	Typ.	Max.	Unit
Vcc	Supply voltage		2.7	2.8	2.9	V
I _{bias}	Bias current	for G _{p1} ⁽¹⁾ G _{p2} ⁽¹⁾ G _{p3} ⁽¹⁾	8 14 10	11.5 17.5 15.0	15.0 22.5 19	mA
I _{stby}	Standby current				20	μA
f	Frequency range		925		960	MHz
G _{p1,2,3}	Power gain	for G _{p1} G _{p2} G _{p3}	-3.0 16.0 24.0	0.0 18.0 26.0	3.0 20.0 28.0	dB
NF _{1,2,3}	Noise figure	for G _{p1} G _{p2} G _{p3}		10 3.1 2.5		dB
P1dB _{1,2,3}	Input 1 dB Compr.Power	for G _{p1} G _{p2} G _{p3}		-15.0 -19.0 -26.5		dBm
IIP _{3,1,2,3}	Input Third Order Intercept	for G _{p1} G _{p2} G _{p3}		-6.0 -11.0 -20.0		dBm
VSWR _i	Input VSWR				1.5:1	
VSWR _o	Output VSWR				1.5:1	
AZ _{out}	Z _{out} LNA on/off				15	%

Note(1) : G_{p1} min gain, G_{p2} mid gain and G_{p3} max gain.

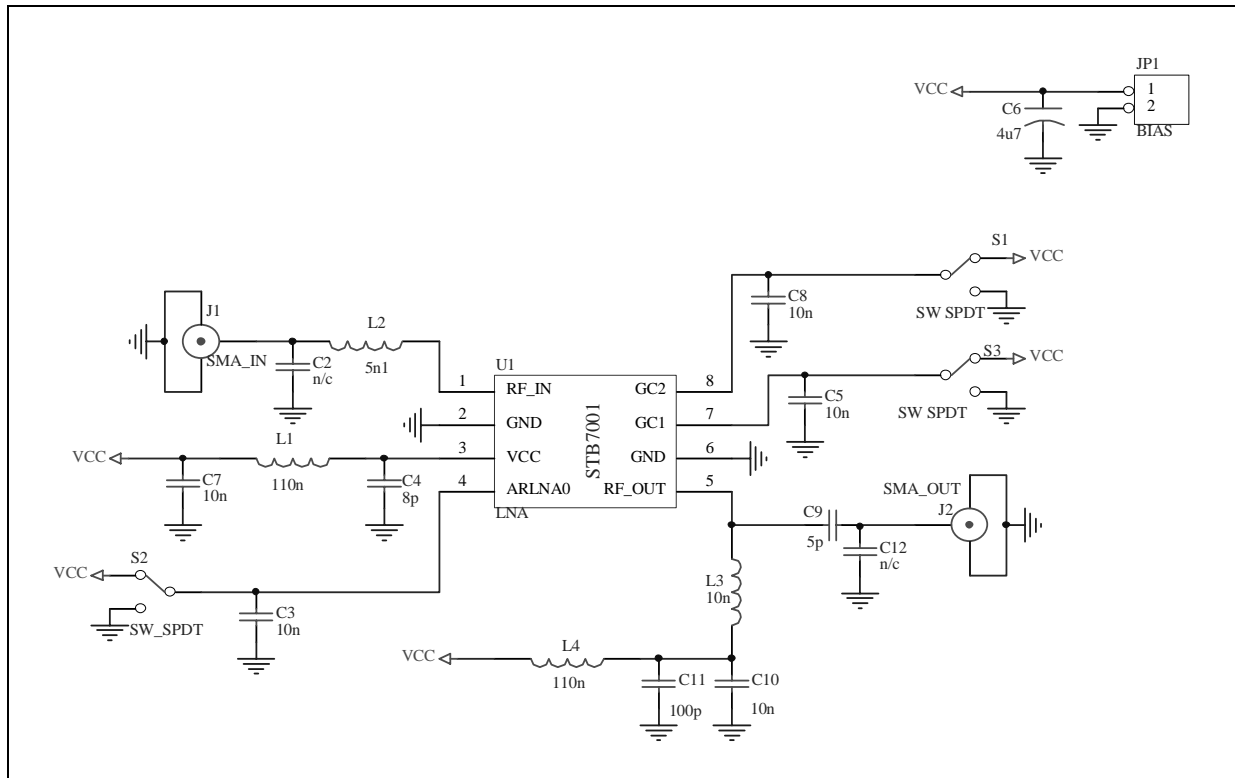
PINOUT

Pin Number	Symbol	Description	Evaluation circuit components
1	RFin	RF input	L2 = 5.1nH, C2 = n/c
2	Gnd	Ground	
3	Vcc	Voltage supply	C4 = 8pF, L1 = 110nH, C7 = 10nF, C6 = 4.7uF
4	ARLNA0	Enable for power down	C3 = 10nF
5	RFout	RF output	C9 = 5pf, L3 = 10nH, C10 = 10nF, C11 = 100pF, L4 = 110nH
6	Gnd	Ground	
7	GC1	Gain selection	C5 = 10nF
8	GC2	Gain selection	C8 = 10nF

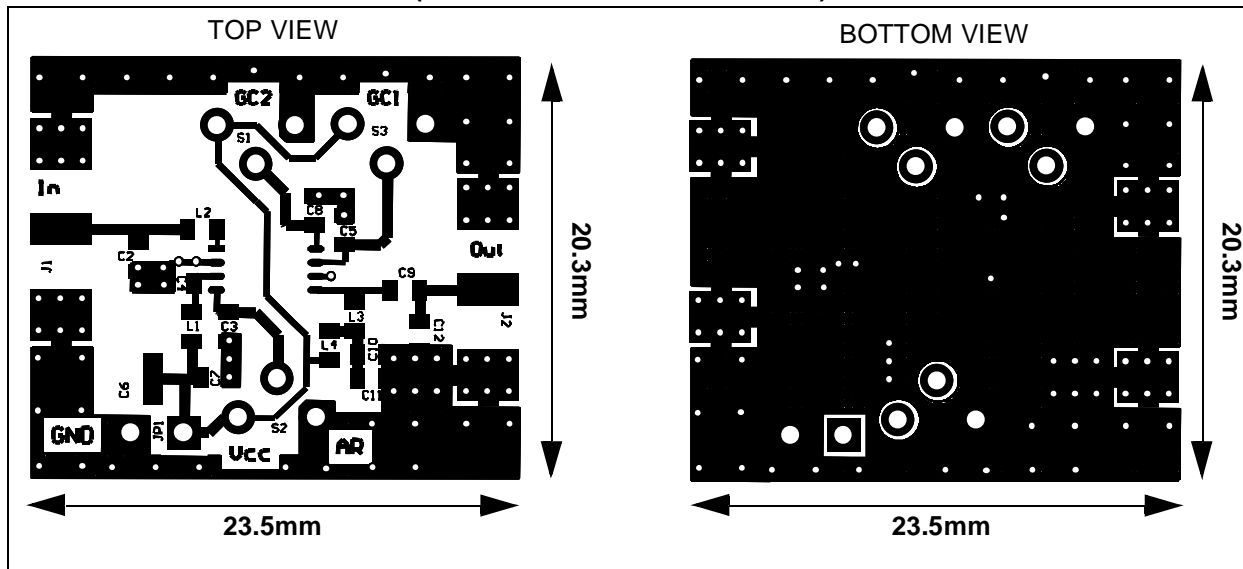
GAIN SELECTION

	G _{p1}	G _{p2}	G _{p3}
GC1	0	0	1
GC2	0	1	1

TEST CIRCUIT SCHEMATIC



TEST CIRCUIT PHOTOMASTER (board dimensions 23.5x20.3mm)



INPUT/OUTPUT VSWR, ISOLATION AND GAIN PARAMETERS (MEASURED DATA)

MAX GAIN

Freq.	VSWRi	VSWRo	Isolation	Gain
905	1.16	1.15	-43.61	25.09
912.5	1.15	1.17	-45.69	25.04
913.5	1.15	1.17	-42.84	24.98
927.5	1.15	1.17	-43.36	24.92
935	1.14	1.18	-42.42	24.85
942.5	1.14	1.19	-48.58	24.79
950	1.14	1.20	-47.86	24.72
957.5	1.13	1.18	-41.52	24.68
965	1.13	1.19	-45.53	24.61
972.5	1.14	1.22	-49.18	24.57
980	1.13	1.20	-44.99	24.48
987.5	1.14	1.21	-47.83	24.41
995	1.14	1.21	-45.33	24.35

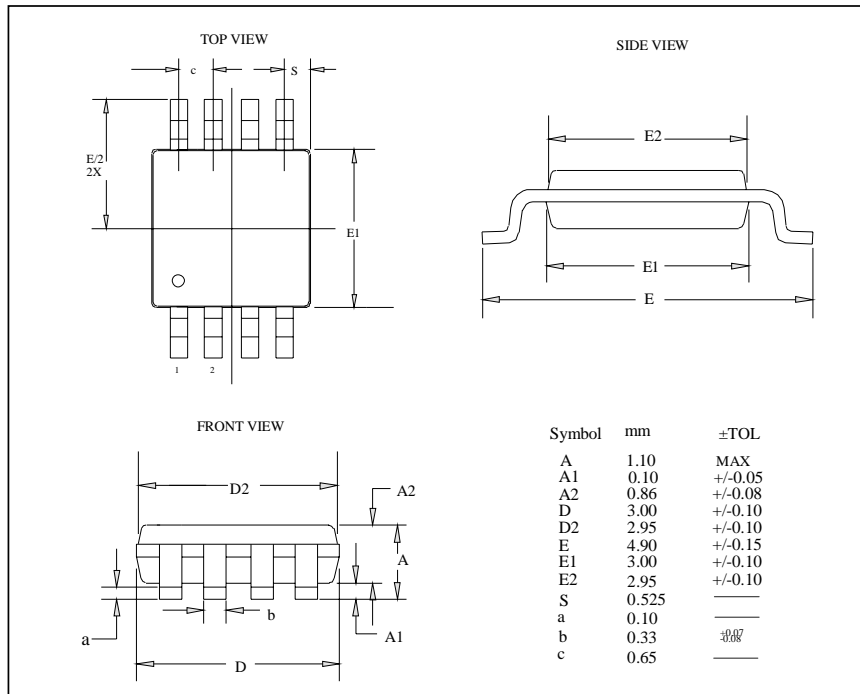
MID GAIN

Freq.	VSWRi	VSWRo	Isolation	Gain
905	1.18	1.10	-44.66	17.41
912.5	1.18	1.11	-43.96	17.36
913.5	1.18	1.11	-46.54	17.32
927.5	1.18	1.12	-46.48	17.28
935	1.18	1.12	-46.39	17.25
942.5	1.18	1.13	-48.29	17.19
950	1.18	1.13	-47.05	17.16
957.5	1.19	1.13	-48.72	17.11
965	1.20	1.14	-50.07	17.07
972.5	1.20	1.14	-50.48	17.02
980	1.21	1.15	-55.86	16.96
987.5	1.22	1.15	-52.12	16.92
995	1.23	1.15	-56.92	16.86

MIN GAIN

Freq.	VSWR _i	VSWR _o	Isolation	Gain
905	1.54	1.11	-43.83	0.07
912.5	1.54	1.11	-43.63	0.03
913.5	1.54	1.12	-45.88	-0.04
927.5	1.54	1.13	-45.76	-0.10
935	1.55	1.13	-45.69	-0.13
942.5	1.56	1.14	-46.75	-0.21
950	1.56	1.14	-45.29	-0.27
957.5	1.57	1.14	-45.20	-0.34
965	1.59	1.15	-45.38	-0.41
972.5	1.60	1.15	-45.79	-0.48
980	1.61	1.16	-45.15	-0.59
987.5	1.61	1.17	-42.79	-0.67
995	1.60	1.17	-43.49	-0.77

MSOP8 MECHANICAL DATA



Information furnished is believed to be accurate and reliable. However, STMicroelectronics assumes no responsibility for the consequences of use of such information nor for any infringement of patents or other rights of third parties which may result from its use. No license is granted by implication or otherwise under any patent or patent rights of STMicroelectronics. Specifications mentioned in this publication are subject to change without notice. This publication supersedes and replaces all information previously supplied. STMicroelectronics products are not authorized for use as critical components in life support devices or systems without express written approval of STMicroelectronics.

The ST logo is registered trademark of STMicroelectronics
© 2002 STMicroelectronics - All Rights Reserved

All other names are the property of their respective owners.

STMicroelectronics GROUP OF COMPANIES
Australia - Brazil - Canada - China - Finland - France - Germany - Hong Kong - India - Israel - Italy - Japan -
Malaysia - Malta - Morocco - Singapore - Spain - Sweden - Switzerland - United Kingdom - U.S.A.
<http://www.st.com>