

STD100

Duct Temperature Sensor

NTC 1.8 kΩ for Vista



The STD100 temperature sensor is intended for air duct mounting. The STD100 housing is equipped with a 20 mm cable fitting.

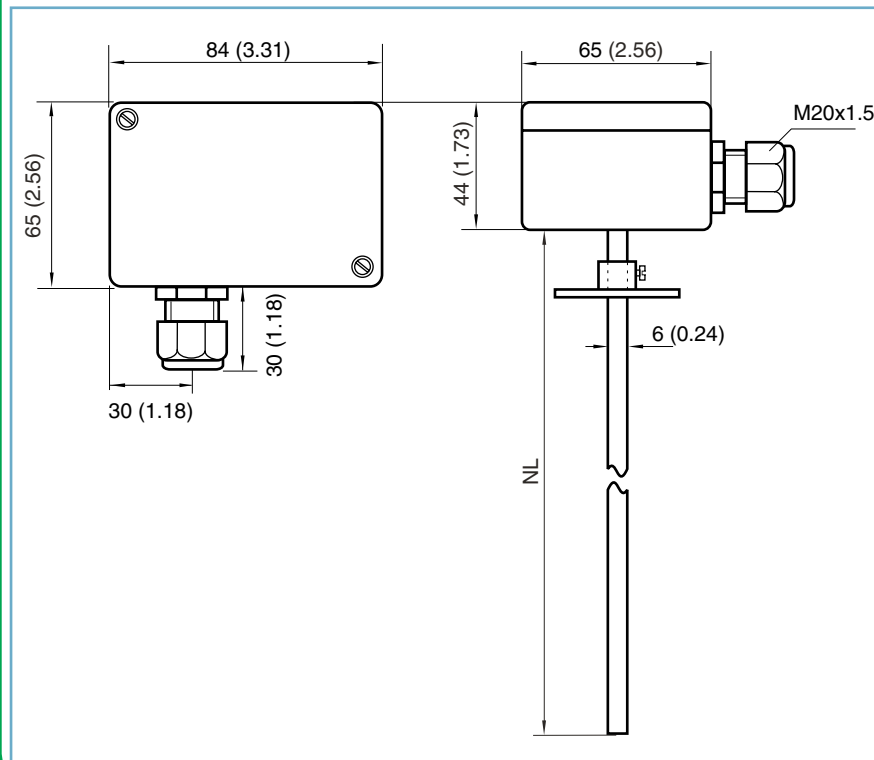
TECHNICAL DATA

Part numbers see table
 Sensor element . . . NTC, 1.8 kΩ at +25 °C (77 °F)
 Time constant:
 Air velocity 1.5 m/s approx. 72 s
 Air velocity 3.0 m/s approx. 52 s
 Materials:
 Immersion tube stainless steel
 Connection box polyamid plastic
 Mounting flange aluminium
 Enclosure rating IP 65
 Dimensions . . . see table below and figure overleaf
 Accuracy see table
 Temperatures:
 Ambient min. -40°C (-40 °F)
 max. 130°C (266 °F)
 Operating min. -40°C (-40 °F)
 max. 150°C (302 °F)
 Standards:
 EMC EN 50081-1, EN 50082-1

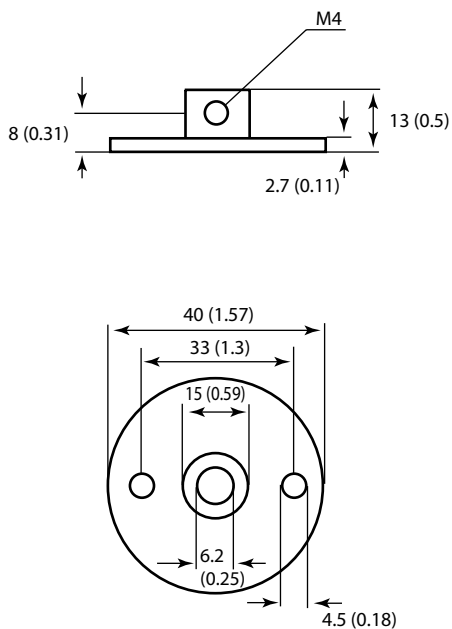
ACCURACY

At Temperature	Accuracy
-25 °C/-13 °F	±0.7 °C/±1.3 °F
±0 °C/32 °F	±0.5 °C/±0.9 °F
25 °C/77 °F	±0.3 °C/±0.5 °F
50 °C/122 °F	±0.6 °C/±1.1 °F
75 °C/167 °F	±0.9 °C/±1.6 °F
100 °C/212 °F	±1.3 °C/±2.3 °F

DIMENSIONS (mm/in)



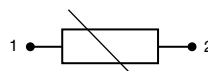
DUCT MOUNTING (mm/in)



PART NUMBERS

Part Number	Description	Probe mm (in)	NL mm (in)	Weight g (lb)
512-3002-010	STD100-50	50 (1.97)	63 (2.48)	113 (0.25)
512-3004-010	STD100-100	100 (3.94)	113 (4.45)	117 (0.26)
512-3006-010	STD100-150	150 (5.9)	163 (6.42)	120 (0.26)
512-3008-010	STD100-200	200 (7.87)	213 (8.39)	123 (0.27)
512-3010-010	STD100-250	250 (9.84)	263 (10.35)	126 (0.28)
512-3012-010	STD100-300	300 (11.81)	313 (12.32)	130 (0.29)
512-3014-010	STD100-400	400 (15.75)	413 (16.26)	138 (0.30)

WIRING



On October 1st, 2009, TAC became the Buildings Business of its parent company Schneider Electric. This document reflects the visual identity of Schneider Electric, however there remains references to TAC as a corporate brand in the body copy. As each document is updated, the body copy will be changed to reflect appropriate corporate brand changes.

All brand names, trademarks and registered trademarks are the property of their respective owners.