

# Isc N-Channel MOSFET Transistor

# STD18N55M5

### • FEATURES

- With To-252(DPAK) package
- Low input capacitance and gate charge
- Low gate input resistance
- 100% avalanche tested
- Minimum Lot-to-Lot variations for robust device performance and reliable operation

### • APPLICATIONS

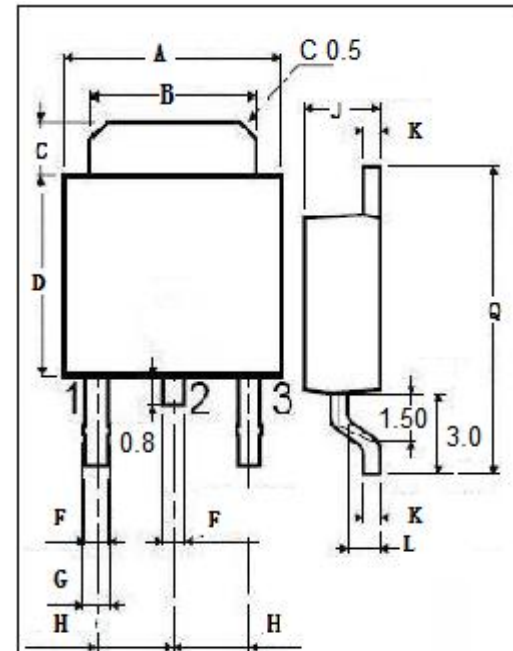
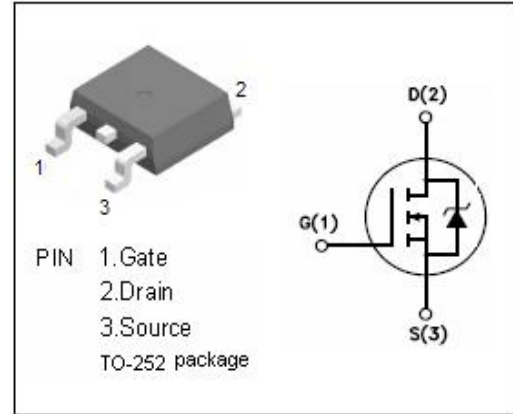
- Switching applications

### • ABSOLUTE MAXIMUM RATINGS(T<sub>a</sub>=25°C)

SYMBOL	PARAMETER	VALUE	UNIT
V <sub>DSS</sub>	Drain-Source Voltage	550	V
V <sub>GSS</sub>	Gate-Source Voltage	±25	V
I <sub>D</sub>	Drain Current-Continuous T <sub>c</sub> =25°C T <sub>c</sub> =100°C	13 8.3	A
I <sub>DM</sub>	Drain Current-Single Pulsed	52	A
P <sub>D</sub>	Total Dissipation @T <sub>c</sub> =25°C	90	W
T <sub>ch</sub>	Max. Operating Junction Temperature	150	°C
T <sub>stg</sub>	Storage Temperature	-55~150	°C

### • THERMAL CHARACTERISTICS

SYMBOL	PARAMETER	MAX	UNIT
R <sub>th(ch-c)</sub>	Channel-to-case thermal resistance	1.39	°C/W
R <sub>th(ch-a)</sub>	Channel-to-ambient thermal resistance	50	°C/W



DIM	mm	
	MIN	MAX
A	6.40	6.60
B	5.20	5.40
C	1.15	1.35
D	5.70	6.10
F	0.65	
G	0.75	
H	2.10	2.50
J	2.10	2.40
K	0.40	0.60
L	0.90	1.10
Q	9.90	10.1

**Isc N-Channel MOSFET Transistor****STD18N55M5****ELECTRICAL CHARACTERISTICS** $T_C=25^{\circ}\text{C}$  unless otherwise specified

SYMBOL	PARAMETER	CONDITIONS	MIN	TYP	MAX	UNIT
$BV_{DSS}$	Drain-Source Breakdown Voltage	$V_{GS}=0V; I_D=1.0mA$	550			V
$V_{GS(th)}$	Gate Threshold Voltage	$V_{DS}=V_{GS}; I_D=0.25mA$	3.0		5.0	V
$R_{DS(on)}$	Drain-Source On-Resistance	$V_{GS}=10V; I_D=6.5A$		180	240	$m\Omega$
$I_{GSS}$	Gate-Source Leakage Current	$V_{GS}=\pm 25V; V_{DS}=0V$			$\pm 0.1$	$\mu A$
$I_{DSS}$	Drain-Source Leakage Current	$V_{DS}=550V; V_{GS}=0V; T_j=25^{\circ}\text{C}$ $V_{DS}=550V; V_{GS}=0V; T_j=125^{\circ}\text{C}$			1 100	$\mu A$
$V_{SDF}$	Diode forward voltage	$I_{SD}=13A, V_{GS}=0V$			1.5	V

**NOTICE:**

ISC reserves the rights to make changes of the content herein the datasheet at any time without notification. The information contained herein is presented only as a guide for the applications of our products.

ISC products are intended for usage in general electronic equipment. The products are not designed for use in equipment which require specialized quality and/or reliability, or in equipment which could have applications in hazardous environments, aerospace industry, or medical field. Please contact us if you intend our products to be used in these special applications.

ISC makes no warranty or guarantee regarding the suitability of its products for any particular purpose, nor does ISC assume any liability arising from the application or use of any products, and specifically disclaims any and all liability, including without limitation special, consequential or incidental damages.