



12 channel integrated PSE line manager

Preliminary Data

Features

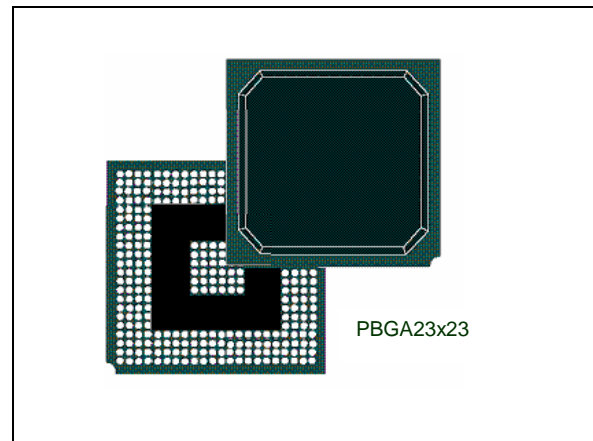
- PSE power control device
- Supports up to 12 independent or four 30W, “boosted” ports
- Wide operating range: up to 90V
- IEEE 802.3af compliant
- Open circuit detection: AC and DC methods
- Advanced power management algorithm
- Current sensing with as low as 500mΩ external, series resistors
- No need for external FETs
- In-rush current control
- Short-circuit protection
- Adaptable signature detection capability
- On-chip 3.3V SMPS controller
- Low-noise, 12-bit ADC
- Standard I²C interface
- Parallel monitor interface

Description

STE12PS is designed to supply power over multiple Ethernet channels in order to avoid different, individual power supply units for applications such as Web cams, IP Phones, Bluetooth access points and WLAN access points.

The equipment that provides the power to the twisted pair cabling is referred to as Power Sourcing Equipment (PSE).

The PSE's main functions are: looking for links to a Powered Device (PD), classifying a PD, supplying power to the link, monitoring power on the link, and removing power from the link.



The STE12PS is fully programmable, supporting the detection and powering of IEEE802.3af as well as legacy PDs. The flexibility of the STE12PS allows the user to select a suitable system configuration: up to 12 ports as well as 4 “boosted” channels. If needed, the STE12PS can also efficiently manage cases or applications where a limited amount of power is available to the ports (smart-power capability) by means of integrated, power MOSFET devices. All operations are controlled via the I²C bus also notifying externally some ports status condition via dedicated pins.

Ethernet port isolation can be easily maintained thanks to an integrated 3.3V SMPS power source and by means of optocouplers.

The STE12PS has five address selection inputs to choose up to 32 possible different addresses.

Power can be provided to the PD using either spare lines of the Ethernet cable or using the data wires, as specified by IEEE 802.3af.

Contents

1	Block diagram	4
2	Pin description	5
3	Functional description	9
3.1	Operating modes	9
3.2	Detection and classification	10
3.2.1	Detection	10
3.2.2	Classification	11
3.2.3	Detection and classification FSM	12
3.3	Power ON	14
3.3.1	Under load (disconnection)	14
3.3.2	Short circuit, overload and overcurrent	15
3.3.3	Thermal monitoring	17
3.4	Internal 3.3V/10V generator	18
3.5	Logic interface	18
3.6	6MHz clock generator	21
3.7	Smart-power mode	21
3.8	Power boost mode - 30W	22
3.9	Measurement and parameter codings	25
4	I2C interface	26
5	I2C slave protocol overview	27
5.1	Functional description	27
5.2	Error cases	27
5.3	Interrupts	27
5.4	I2C device address	27
5.5	Register addressing: write command format	28
5.6	Register addressing: read command format	29
5.7	Parallel monitoring interface	30
6	Electrical specifications and timings	31



7	Ball coordinates	35
8	Package information - mechanical data	41
9	Ordering information	43
10	Revision history	43



1 Block diagram

Figure 1. STE12PS functional block diagram

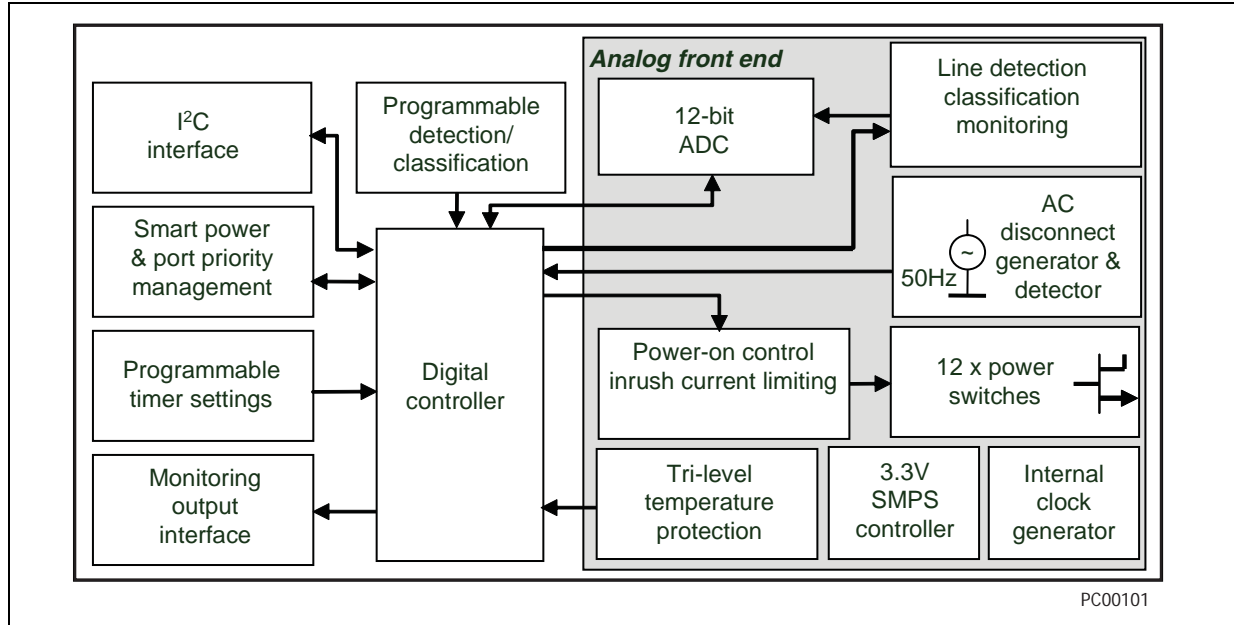
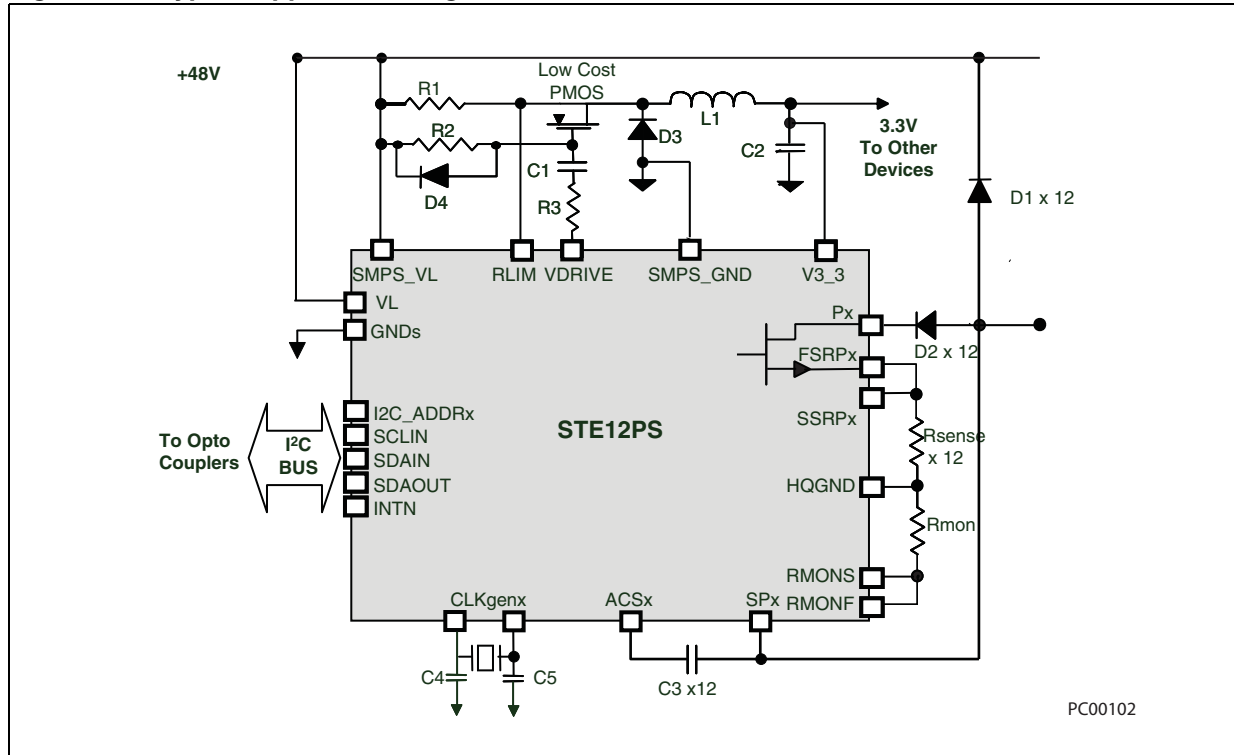


Figure 2. Typical application diagram



2 Pin description

Table 1. Analog pins description

Pin name	I/O	Function
IDET_HVLV	O	Anti-aliasing filter capacitor to be connected between the analog input and ground to improve ADC noise performance. C = 180pF.
IMON_HVLV	O	Anti-aliasing filter capacitor to be connected between the analog input and ground. C = 180pF.
Vbat_mon	O	Anti-aliasing filter capacitor to be connected between the analog input and ground. C = 100nF.
Vbatref	O	Anti-aliasing filter capacitor to be connected between the analog input and ground. C = 100nF.
I_REF	O	Anti-aliasing filter capacitor to be connected between the analog input and ground. C = 180pF.
CDETSLOW	O	Detection rise/fall time capacitor (up to 25nF). Tr/f can be set from 1ns to 4ms.
RSENSE	O	SMPS precision, external, current limiting reference resistor: 100mΩ
VDRIVE	O	External p-channel MOSFET gate driving voltage for SMPS. It provides a square wave with VL as upper limit and (VL-10V) as lower limit voltage.
SFTSTR	O	Switched Mode Power Supply (SMPS) soft start capacitor, 200nF.
FB	IO	SMPS feedback pin, Cfb = 2.2nF
Pn	O	Power DMOS device drain, if DMOS is turned-on, channel "n" where n = 1,...12 is activated.
ACS _n	O	It provides a 50Hz AC disconnection signal for port "n", n = 1, ... 12.
SP _n	I	Detection classification and AC disconnection sensing port "n", n = 1, ... 12.
SSRP _n	I	Line current to the monitoring resistor for channel "n", n = 1,... 12. Allowed values are 0.523, 1.05, 1.58 and 2.1ohms (see also SENSROG preset pins). Sensing pin.
FSRP _n	O	Source terminal for power DMOS connected to the sense resistor for channel "n", n = 1,... 12, a "forcing" pin.
RMONF	O	Mirror monitoring resistance ($500 \times R_{sense}$) pin to let internal ADC evaluate line currents. Forcing pin.
RMONS	O	Mirror monitoring resistance ($500 \times R_{sense}$) pin to let internal ADC evaluate line currents. A "sensing" pin.
RREF	I	Reference bias resistor: 18.7kΩ
CLK_GEN1	I	Crystal oscillator pin1 for high performance clock generation.
CLK_GEN2	I	Crystal oscillator pin2 for high performance clock generation.
MCLK	O	Master clock output for multi device configuration.
CLK_GEN3	I	Low profile clock input pin or clock input pin in multi-device configuration.
ACin	I	50Hz sinusoidal input
ACout	O	50Hz sinusoidal output, internally generated

Table 2. Digital pins description

Pin name	I/O	Function
Reset		
RESETN	I	Reset pin. Active LOW
Status flag interface		
CH_SEL _n	O	Channel identification "n", where n = 1,... 12. Indicates the channel whose status flags (POK, ...) are currently notified externally. CH_SEL is incremented every 60 * MCLK clock cycles. The status flag notification is enabled via the configuration register Global_cfg2, STATUS_FLAG_EN bit.
POK	O	Power OK flag. This flag indicates condition of the currently powered channel: '1' → power ON <u>and</u> NO faults are present '0' → power OFF <u>or</u> (power ON <u>and</u> faults present)
OVL _D	O	Overload Alarm Flag for the currently powered channel. Current overload condition (I _{cut} is over threshold): '1' → channel overload condition detected '0' → NO overload
OVCUR	O	Short circuit Alarm Flag for the currently powered channel. Current limiting condition: '1' → Overcurrent or detection failed condition detected '0' → ANY Short Circuit condition detected
AC_DC_DISCON	O	AC/DC Disconnection Alarm Flag for the currently powered channel: '1' → AC/DC disconnection detected '0' → ANY disconnection detected
DET_CLASS	O	Detection/Classification flag. '1' → Detection or Classification procedure is running '0' → Detection/Classification procedure is not running.
Por_N	O	'1' → VL, 10V and 3.3V supply Power ON succeeded
Thermal monitoring		
T_MONITOR _x	O	Thermal monitoring (x = 0,1). These bits encode the internal temperature's threshold measured in the following way: "00" → Temperature under 110° C "01" → Temperature between the 110° C to 130° C "11" → Temperature between the 130° C to 150° C "10" → Temperature is above 150° C



Table 2. Digital pins description (continued)

Pin name	I/O	Function
Configuration signals		
A_BN_SEL	I	A or B alternative configuration mode select. '0' → Alternative B (Midspan-PSE) '1' → Alternative A (Endpoint-PSE)
CH_NUMx	I	12- or 4-boost channel select. x = 0, 1. '00' → 12 channels configuration '01' → NA '10' → NA '11' → 4-boost channel configuration
AUTO_START	I	AUTO Start Mode enable. '0' → Auto Start Mode disabled: all the ports are disabled after Reset, Neither detection nor power on is performed (MODE[1:0] register selected to Power Down at the reset event) '1' → Auto Start Mode enabled: all the ports are automatically enabled, detection, classification and power are performed (MODE[1:0] register selected to AUTO after the reset event)
S/UPIN	I	SMPS (Switch Mode Power Supply) mode selector bit (supplier / User). When Not connected the device works as DC-DC converter controller.
SENSEPROGx	I	Preset pins for sensing resistor programmability (x=0,1). The programmed value must match the mounted R_{sense} resistors. '00' → $R_{sense} = 0.5\Omega$ '01' → $R_{sense} = 1\Omega$ '10' → $R_{sense} = 1.5\Omega$ '11' → $R_{sense} = 2\Omega$
Power ON controller signals		
POWER_ENx	I	Reserved. (x = 0, ...11).
I²C Signals		
I2C_ADDRx	I	This defines the device address for the I ² C interface. x = 0, ... 4.
SCLIN	I	Serial clock input pin for the I ² C interface.
SDAIN	I	Serial data input pin for the I ² C interface. When "jumpered" with the SDAOUT pin, this connection becomes the standard bi-directional serial data line (SDA).
SDAOUT	O	Serial data output pin for the I ² C interface. When jumpered with the SDAIN pin, this connection becomes the standard bi-directional serial data line (SDA).
INTN	O	I ² C Open drain output that goes low when interrupt event is notified
Test mode signals		
TEST_MODEx	I	Test Mode Enable (x = 0, 1). '00' → Functional mode '01' → Reserved '10' → Reserved '11' → Reserved
SCAN_EN	I	Reserved. Preset to '0'.

Table 3. Power and ground pins description

Pin name	I/O	Function
GND, AGND	I	Analog grounds
SMPSGND	I	SMPS power ground
SMPS_VL	I	+48V battery voltage for SMPS
V3_3,Vdd,Vdde	I	3.3V supply
V10, Vdd10	I/O	10V supply to power-up the output DMOS and minimize its ON resistance
HQGND	I	Dedicated ground for Kelvin line current sense resistor (a high quality ground)
DGND, gnd, gnde	I	Digital grounds
VL	I	+48V battery voltage.

3 Functional description

The STE12PS architecture provides a complete PSE interface and smart digital controller to efficiently manage the functions in a PoE system. All operations can be controlled through R/W registers via a standard I²C bus interface.

The STE12PS is designed to control power delivery of up to 12 separate lines. This is performed by controlling 12 integrated, power MOS transistors connected to the low side of the line - monitoring the line voltage and sensing line current by means of external, series sensing resistors (one per port). Turning on a port means to switch the relative MOS transistor thus controlling the inrush current in order to rise the port voltage up to 48V (typical battery voltage) after a valid PD signature has been detected. The flexibility of the STE12PS allows the user to select a suitable system configuration: 12 "standard" 15W or 4 "boosted" 30W channels, by means of pins CH_NUMn. Also, one can select the type of architecture (Endpoint PSE/ Alternative A or Midspan PSE/Alternative B) for all channels via pin A_BN_SEL.

Some typical applications for the STE12PS include:

- Ethernet switches/routers
- Midspan power supplies
- IP-PBX
- WLAN access points

3.1 Operating modes

The digital controller can operate in one of five possible modes for all the channels, selectable through the Global Configuration registers: Stand-by, Auto, Semi Auto, Manual or Power Down.

When the reset condition is removed, the controller defaults to Power Down mode if the AUTO_START pin is tied low; if AUTO_START is tied HIGH the mode is configured in AUTO. The mode can be changed only during a limited amount of time (100ms), after the reset is released, accessing the Global Configuration registers before the detection procedure is started, or placing the device in STAND-BY mode via the I²C interface.

The characteristics of the Five possible operating modes are described below:

- **STAND-BY:** the controller allows only the read write operations suitable for changing programmability. To enable this mode set the reset bit 1 of the REG0x05.
- **AUTO:** the controller autonomously performs detection, classification and Power ON command without the need of host commands. A subset of status flags stored in the channels monitor registers is reported externally through the Status Flag Notifies pins allowing operation without the presence of the host controller.
- **SEMIAUTO:** after a triggering command the controller autonomously performs detection and classification waiting a dedicated command from host processor for the power on. Based on the detection and classification results reported in the Channels Status registers, the host controller can decide to power on the selected channel. The disconnection of a channel is automatic as in the AUTO mode, unless disabled.
- **MANUAL:** any action is performed manually. The host controller has the responsibility to force any state transition in the FSM. Then based on the measures performed automatically by the ADC on several parameters, the host controller can decide to

classify the channel and afterwards to issue the power on command. The STE12PS controller can also automatically disconnect a channel in fault condition (if not enabled, the STE12PS will notify automatically only a short circuit condition or an AC disconnection event. Overload or DC disconnection is responsibility of the host controller.) The host controller can also power on a channel skipping detection and/or classification procedures.

- **POWER DOWN:** the controller is put in power down state. No actions are performed until the power down mode is removed.

For all operating modes, except power-down and stand-by, the power ON/OFF condition of each channel can also be managed, directly, by the host processor or controller via a dedicated command.

Moreover, the power removal procedure is performed automatically (also in MANUAL mode) when a fault event has been detected (AC/DC disconnection, overload or overcurrent); this behavior can be changed configuring appropriately some dedicated enable/disable bits of channels event registers.

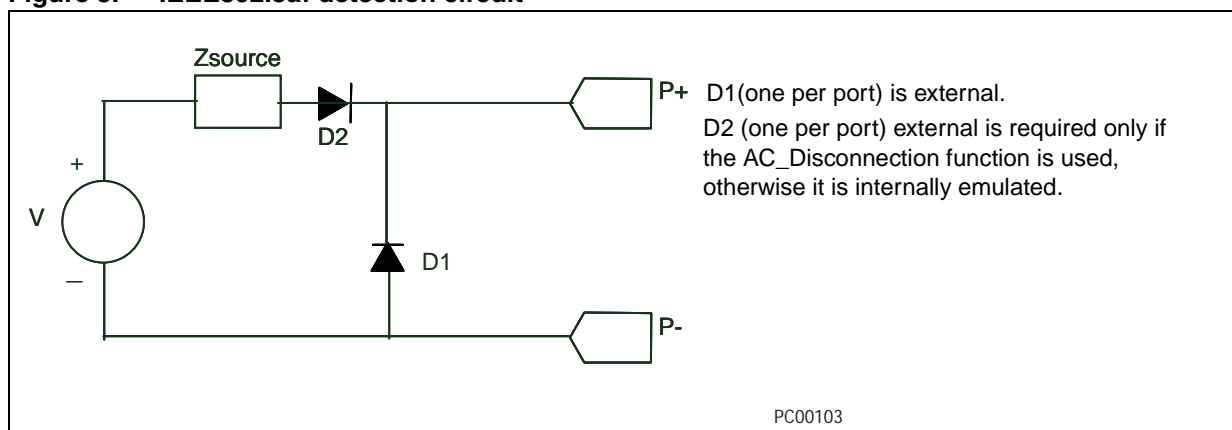
With Priority Management in AUTO mode and Smart-power management enabled, it is also possible to set different priorities for different channels. The STE12PS will probe channels starting from those with the highest priority. In case of a shortage of available power, it is also possible to disable powering of newly detected, lower priority ports until the highest detected ones are served.

3.2 Detection and classification

3.2.1 Detection

The STE12PS looks for, in turn on the free available ports (according to the priority list if enabled), for a valid PD signature (25kΩ slope characteristic) by driving two different voltage levels at the port (4V and 8V), and calculating the slope resistance/ conductance by monitoring the current difference. The equivalent circuit for the IEEE802.3af detection phase is shown in [Figure 3](#) below.

Figure 3. IEEE802.3af detection circuit



As detection is performed by multiplexing a common voltage generator. If more than one port is connected to several PDs, an extra delay in the detection start will be introduced. See [Table 10: Electrical characteristics](#), parameter Td_{det}.

By default, the STE12PS will recognize a valid signature with the following characteristics:

- an inverse slope of the port current vs. voltage (I-V) characteristic measuring between 19 and 26.5kΩ (Rdl and Rdh),
- a port capacitance of less than 4μF.

If required, the STE12PS can also perform a custom, resistive detection search – modifying the acceptance window. This can be easily performed by changing the Rdh and Rdl limits or by changing Gdl and Gdh via the logic interface.

In Midspan applications, where power is applied via spare wires, when the PSE fails to detect a PD, the port remains in high-impedance (Hi-Z) for at least two seconds. If the signature resistance is greater than 500kΩ, then the two second wait is avoided.

Transition rates of the port voltage between the two probing levels can be adjusted with capacitance Cdetslow.

Table 4. PD power classification

Class	Usage	Maximum power level at PSE output (Pall)	Power level at PD input	I _{class}
0	Default	15.4W (programmable)	0.44 to 12.95W	I _{class} < lthcl0
1	Optional	4W (programmable)	0.44 to 3.84W	lthcl0 < I _{class} < lthcl1
2	Optional	7W (programmable)	3.84 to 6.49W	lthcl1 < I _{class} < lthcl2
3	Optional	15.4W (programmable)	6.49 to 12.95W	lthcl2 < I _{class} < lthcl3
4	Optional	-	Reserved	lthcl3 < I _{class} < lthcl4
0	Default	15.4W (programmable)	0.44 to 12.95W	lthcl4 < I _{class}

3.2.2 Classification

Once a valid signature is detected, the port is probed for classification in order to perform smart-power management (if enabled).

Port probing is performed by forcing a DC voltage in the range of 16V to 18V (one DC generator multiplexed between the channels) and monitoring current I_{class}. The measurement is repeated and stored in the Channel Monitor Classification registers to ensure a coherent classification. The PD power class is defined as shown in [Table 4](#) above.

The detected class is then stored in the Channel Status registers.

Note: The power absorbed in a link is calculated considering the actual value of the battery voltage in order to arrive at a true power measurement result.

3.2.3 Detection and classification FSM

This FSM manages all operations related to the detection and classification procedures.

For these two procedures, the following assumptions are made:

1. A channel is detected ONLY if:
 - a) the channel has not yet been detected, *and* Channel Detection has been enabled, *and*
 - b) the Backoff Detection timer *and* Subsequent Attempt timer are NOT running (after a corresponding fault detection or failed signature).
2. A channel is classified ONLY if:
 - a) Channel Classification is enabled, *and*
 - b) the previous related detection procedure has reported an Rgood/Ggood value (Auto and SemiAuto modes).

Three general macro operations can be performed:

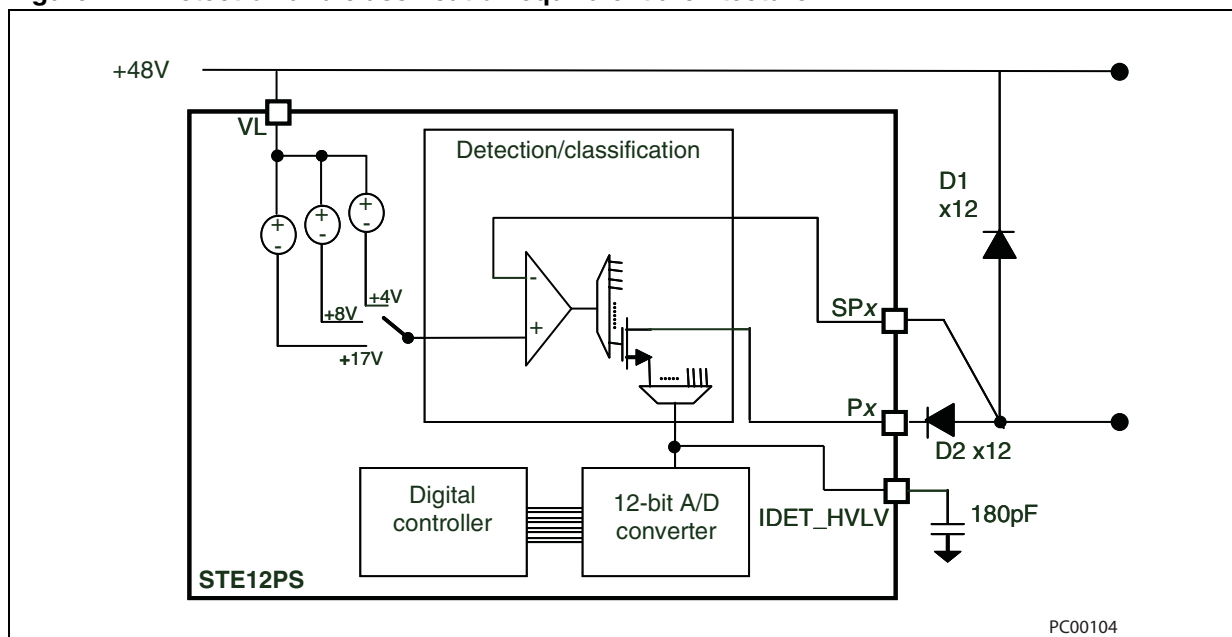
- **STARTUP:** the following operations are related to the startup procedure:
 - **RESET:** reset and initialize all digital aspects of the STE12PS,
 - **WAIT_POWER_UP:** wait 100ms for completion of the power-up procedure. During this period, the I²C bus is active - allowing the host to initialize registers while the detection procedure is waiting to start.
 - **DETECTION START:** all setting-up needed to start operations is performed in this state. The first battery voltage sample is latched in a dedicated register.
- **DETECTION:** the following operations are related to the detection procedure for the channel selected:
 - Low Voltage detection command (4V) is issued via registers; detection timer is started to execute the command for a duration of $\frac{1}{2}T_{det}$ ms.
 - Wait for 5ms to acquire a stable measurement.
 - Sampled sensing current values are acquired via A/D converter.
 - The samples previously acquired are averaged and the resulting value, reported into the Channels Monitor register, is compared against programmed min/max values. If the sensing current is higher than maximum allowed value, the detection procedure is considered as having FAILED: backoff timer is started (Alternative B) and an alarm flag raised according to the Channel Status registers.
 - If the sensing current results lower than the minimum allowed value the detection procedure is continued: the alarm flag is raised in the Channel Status registers.
 - The described operations are repeated for the High-Voltage detection command (8V).
 - Signature Resistance is calculated:
 - If $2\mu\text{sec} < G_{meas} < G_{low}$ or $G_{high} < G_{meas}$, then backoff timer is started (Alternative B) and detection result failure is reported in the Channel Status registers.
 - Else, $G_{low} < G_{meas} < G_{high}$ and the result of a successful detection is reported in the Channel Status registers.



- CLASSIFICATION: The following operations are related to the classification procedure for the corresponding channel
 - If classification is not enabled, the default Class 0 is assigned.
 - High Voltage detection command (17V) is issued via registers; detection timer is started to execute the command for 15ms duration.
 - Wait for 5ms to acquire a stable measurement
 - Sampled sensing current values are acquired via A/D converter.
 - Average the previously acquired samples and report the resulting value in a dedicated register. The power class is identified and the result is reported in the Channel Status registers.
 - Channel is ready to be powered: if the smart-power algorithm is enabled (via the MISCELLANEOUS registers) the channel is powered only if the required power is within the remaining power budget; the channel can be powered regardless of the power-check availability via registers.

If the power availability check has a positive result (or it hasn't been performed), the channel is powered. Otherwise, it is rejected, and the alarm flag raised in the Channel Events register. The channel number is registered into a scheduler FIFO so that power will again be available when the channel is ready to be switched-on.

Figure 4. Detection and classification equivalent architecture



3.3 Power ON

After the classification phase the port will be powered.

Once activated, the power-on sequencer manages the channel's activation requests received through the signature detection circuitry. For the incoming channel, activation requests are stored in the power-on sequencer and then serviced, one at a time, only when the previously activated channel leaves the current limiting condition that normally occurs during power on due to the capacitive part of the load. (see also smart-power mode and special issues)

A port is turned-on by ramping-up the voltage and increasing the current limit to its upper limit. After a programmable time (T_{inrush}), if the port has reached full voltage and is out of current limitation, it is marked as powered. The related port power bit and the power class bits are set according to the class in the logic interface bit stream.

The active ports are continuously monitored in order to detect a fault condition such as Short Circuit, Disconnection or Excess Power (overload).

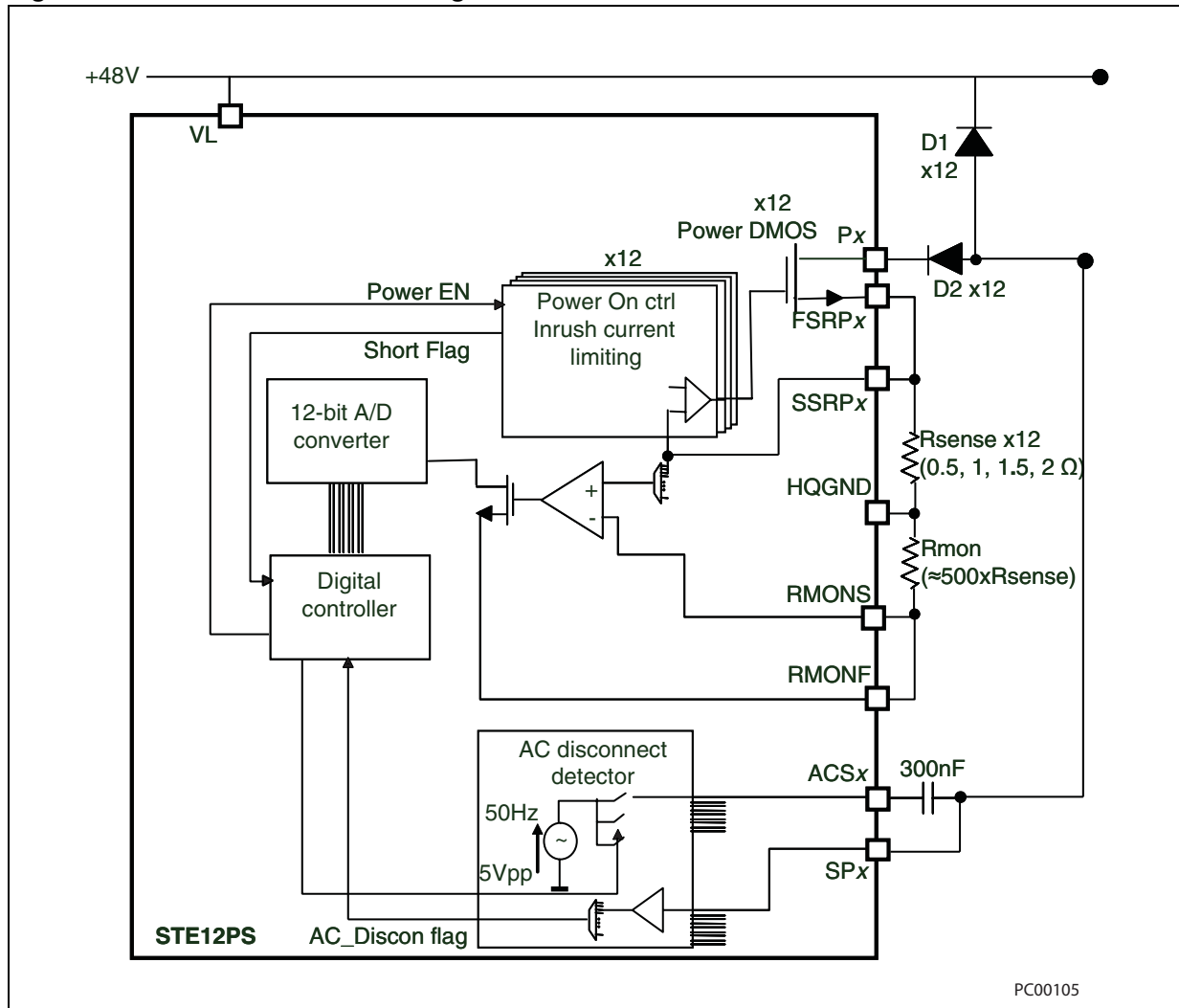
3.3.1 Under load (disconnection)

Detection of a disconnection, if enabled (default condition), can be performed via a DC and/or AC method - default is DC \oplus AC (logical OR):

- DC method
If this method is selected via the logic interface and if the port current drops under 7.5mA for more than 10ms, then the STE12PS will detect a DC disconnection. If this condition persists for T_{mpdo} ([Table 10](#)), then power is removed and the port is marked as free, enabling a new detection.
- AC method
If this method is selected via the logic interface, the STE12PS probes the channels via coupling capacitors and detects when the AC load impedance, Z_{ac} , exceeds the maximum, 100k Ω limit for a time longer than 20ms. In this case, the PSE will detect an AC disconnection. If this condition persists for a time T_{mpdo} ([Table 10](#)), power is removed and the port is marked as free, enabling a new detection.

Disconnection modes are as following: Disabled, DC method only, AC method only, both AC and DC (combined in OR \oplus logic or in AND \otimes logic).

Figure 5. Power ON and monitoring



3.3.2 Short circuit, overload and overcurrent

A short circuit is defined when port current reaches 425mA, typ. Moreover, if port voltage drops below 25V, then maximum loop current is decreased, linearly, to limit power dissipation. A short condition is considered as a fault after a period of 65ms, typ. (see [Table 10: Electrical characteristics](#), parameter Tshort).

When the above conditions are met, the port is disconnected, and the fault bit set HIGH in the Channel Event registers.

Overload or excess power is defined when port power consumption reaches 15.4W for longer than 65ms, typ. (see [Table 10: Electrical characteristics](#), parameter Tovld).

If smart-power management is active, then the overload power limit is set instead - according to the power class.

When the above conditions are met, the port is disconnected, and the fault bit is set HIGH.

Monitor overload FSM

This FSM manages all operations related to monitoring an overload event.

All operations described below are related to channels currently powered.

- **STARTUP:** the following operations are related to a startup procedure:
 - **START:** channel to be monitored is selected.
- **POWER MEASUREMENT:** the following operations are related to a power measurement procedure
 - **SAMPLE I_{meas}:** the current measurement is sampled and the next powered channel is prepared for the next monitor procedure.
 - **MEASURE Power:** the power is measured and its value is compared against the required Power class.
 - **START MONITOR OVERLOAD:** if the measured power exceeds the required power class the T_{ovld} timer and the averaging process are started.
 - **COUNTER RESET:** T_{ovld} timer is reset if the measured power doesn't exceed the required
- **POWER REMOVAL:** the following operations are related to a power removal procedure:
 - **COUNTER CHECK:** all T_{ovld} timers are checked, and those that have expired are identified.
 - **POWER REMOVAL:** all the channels whose timers have expired and whose average power exceeds the maximum are switched OFF through the **POWER_EN(n)** pins.
 - **ALARM SET:** for all the channels whose timers have expired, a corresponding alarm flag is raised in the Channel Event registers, and the related T_{ed} timer is started.

Monitor overcurrent FSM

This particular FSM manages all operations related to procedures that are able to monitor an overcurrent event.

All operations described below are related to channels currently powered.

- **STARTUP:**
 - **START:** the channel to be monitored is selected.
- **VOLTAGE BATTERY:**
 - **SAMPLE V_{bat} :** every 12 channels cycle the V_{bat} measurement is executed.
- **OVERCURRENT CHECK:** the following operations are related to an overcurrent check
 - **I_{meas} CHECK:** if $I_{meas} > I_{lim}$ the `I_LIM_FLAG` is raised and the next powered channel is prepared for the next monitor procedure.
 - **START MONITOR:** the T_{lim} counter is started if `I_LIM_FLAG` is found asserted.
 - **COUNTER RESET:** if `I_LIM_FLAG` is found de-asserted T_{lim} counter is reset taking into account that glitches of duration less than 10ms are filtered.
- **POWER REMOVAL:** the following operations are related to a power removal operation:
 - **COUNTER CHECK:** all the T_{lim} timers are checked and those expired are identified.
 - **POWER REMOVAL:** all the channels whose timer is expired are switched OFF.
 - **ALARM SET:** for all the channels whose timers are expired a corresponding alarm flag is raised in the `FAULT_EVENT_CHn` register and the related `Ted` timer is started.

3.3.3 Thermal monitoring

The procedures performed by the digital controller are impacted by the thermal monitoring data indicating the measured temperature.

Its behavior is based on a three-level control system:

1. When the chip's internal temperature reaches 110°C, only the channels already powered will be serviced. Possible new ones, will be rejected, redetected and eventually processed when the internal temperature cools down to 100°C. This behavior can be disabled setting the proper bit register.
2. A second temperature threshold is set at 130°C. When this value is reached, the channels that are in current limiting or inrush condition are immediately switched OFF, and their reactivation, subject to positive redetection, will only be possible when the chip's internal temperature has cooled down to 100°C. This behavior can be disabled by setting the proper bit register.
3. The third temperature threshold is set at 150°C. When this temperature is reached, all activated channels will be immediately switched OFF, and their reactivation, subject to positive redetection, will only be possible when the chip's internal temperature has decreased to 100°C. This behavior cannot be disabled.

3.4 Internal 3.3V/10V generator

The STE12PS can be configured either as 3.3V and 10V generator or load by means of the S/U control input. In this manner, the need for extra, low-voltage batteries is avoided, greatly simplifying the system design. If S/U is left open, the device will operate as an SMPS controller. With the SMPS configured at 3.3V, the device can be used to power up a “1 Amp” load with high efficiency voltage conversion.

Figure 6 on page 19 shows a typical DC-DC, buck converter configuration for the 3.3V supply. The 10V supply is generated by means of an internal, linear regulator. The 3.3V supply can source up to 1A.

In *Figure 7*, use of a small transformer for the 10V supply can save up to 0.3W for each powered device. Both the 3.3V and 10V supplies can power others devices.

Figure 8 depicts a typical application with an external supply.

3.5 Logic interface

The STE12PS can operate autonomously - notifying, externally, ports status via dedicated pins (Parallel Monitor Interface) - or it can be controlled as a slave device via the I²C interface by a host processor. In the latter case, the host can perform system configurations, monitor status conditions and assert alarm flags making it possible to drive, manually, different operations for detection, classification and monitoring.

Figure 6. Simple SMPS

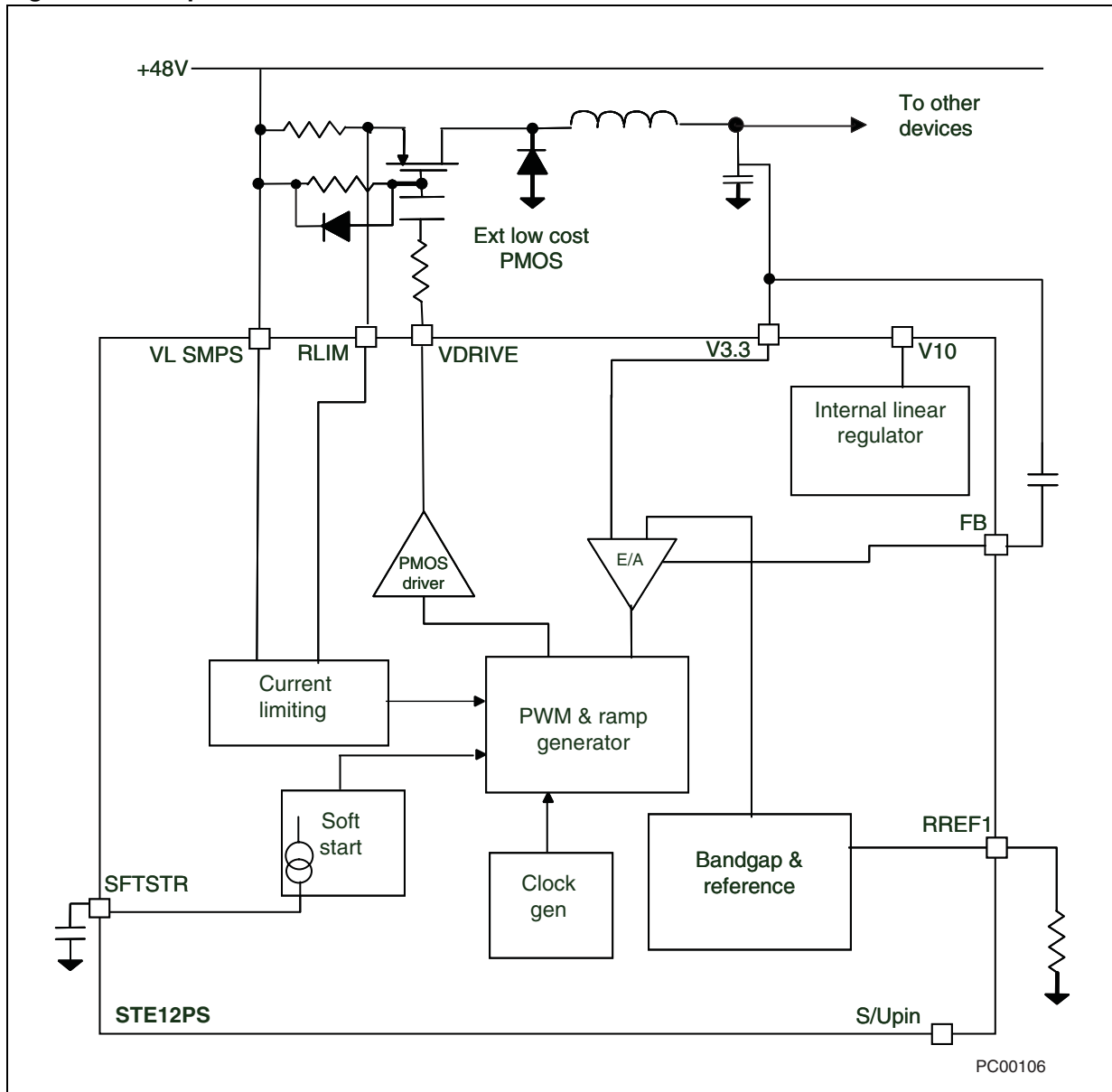


Figure 7. Advanced SMPS

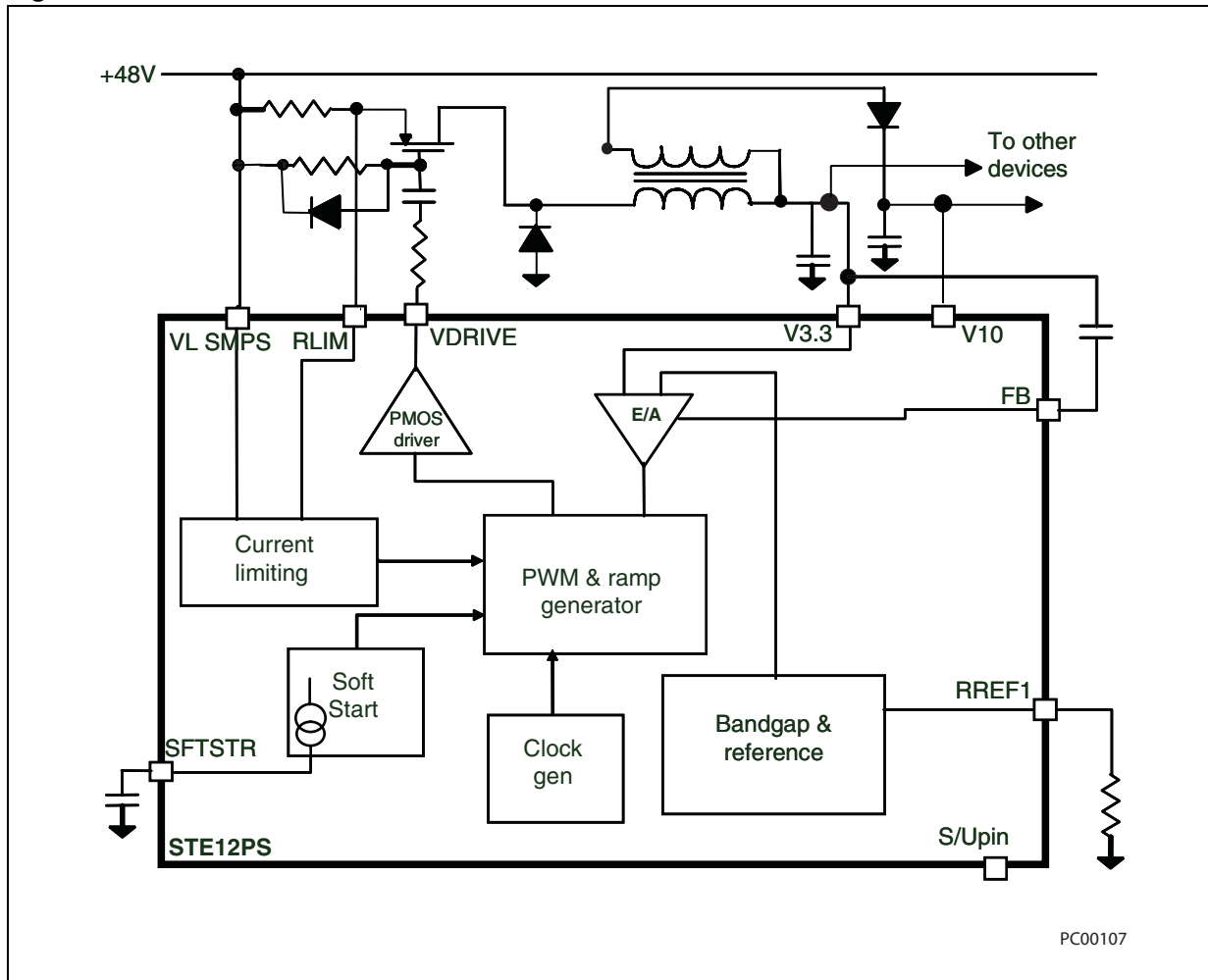
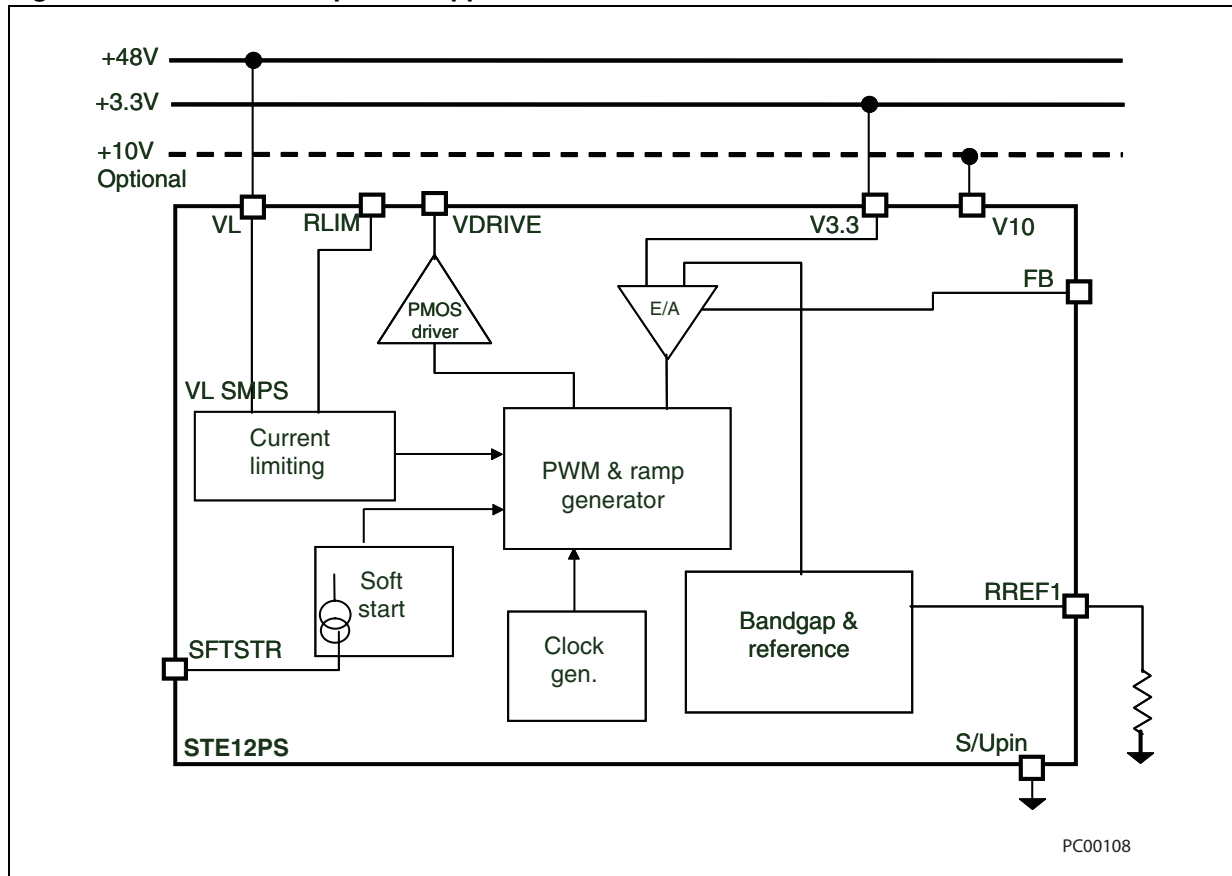


Figure 8. With external power supplies

3.6 6 MHz clock generator

Figure 10 on page 23, and Figure 11 and Figure 12 on page 24 show the three possible clock generation configurations:

- with a 6 MHz crystal for a high precision clock,
- with an external RC for low-cost applications,
- with an external clock.

3.7 Smart-power mode

When this mode is enabled, the whole system is set to manage and deliver a limited amount of power to the channel. In Auto Mode, it is actually possible to set a maximum power budget for the device. When a PD is connected to a port, the STE12PS verifies the class and decides to power the line only if there's enough power available. It is also possible to set different priorities for the different channels. The device probes channels starting with those of highest priority. In case of shortage of available power, it is possible to disable the powering of newly detected ports of lower priority until the ones with a higher detected priority are serviced. If a channel exceeds its power class, that channel can be powered-down, and its power made available again. A 12-bit ADC is used to provide high-quality voltage and current measurements during the various phases of port detection,

classification and powering. These measurements can be loaded into dedicated registers via the I²C bus and are intended to be averaged over time in order to maximize PSSR and noise rejection as well as minimize 50 to 60Hz interference.

3.8 Power boost mode - 30W

When this mode is activated, the device will run the classification extending the IEEE classes with an extra PD_Class boost as detailed in [Table 4](#). If class boost is detected, an equivalent double port (parallel of two channels) is switched-on allowing up to 30W of power to be supplied. All the other IEEE classes behave as a standard port (powering on one channel only). [Table 5](#) below describes channel parallelism:

Table 5. Power boost mode: master/slave channel parallelism

Master Channel (MC)	Slave Channel (SC)
1	5
2	6
3	7
4	8

Channels in boost mode behave as master or slave according to the above table.

Detection and classification are performed only on the master ports. If a class 0 to 4 PD is detected, only MC is powered. Otherwise, if Boost Class is detected, both MC and the related SC are powered. Once powered, any fault condition (short circuit, over current, over power, PD disconnection) occurring either for MC or SC forces the reaction of both channels. All status and measurement information are stored in registers pertaining to the MC. Detection procedure is the same as the standard one while the classification phase is performed with 3 classification impulses (total classification time 70ms).

Figure 9. Power boost mode

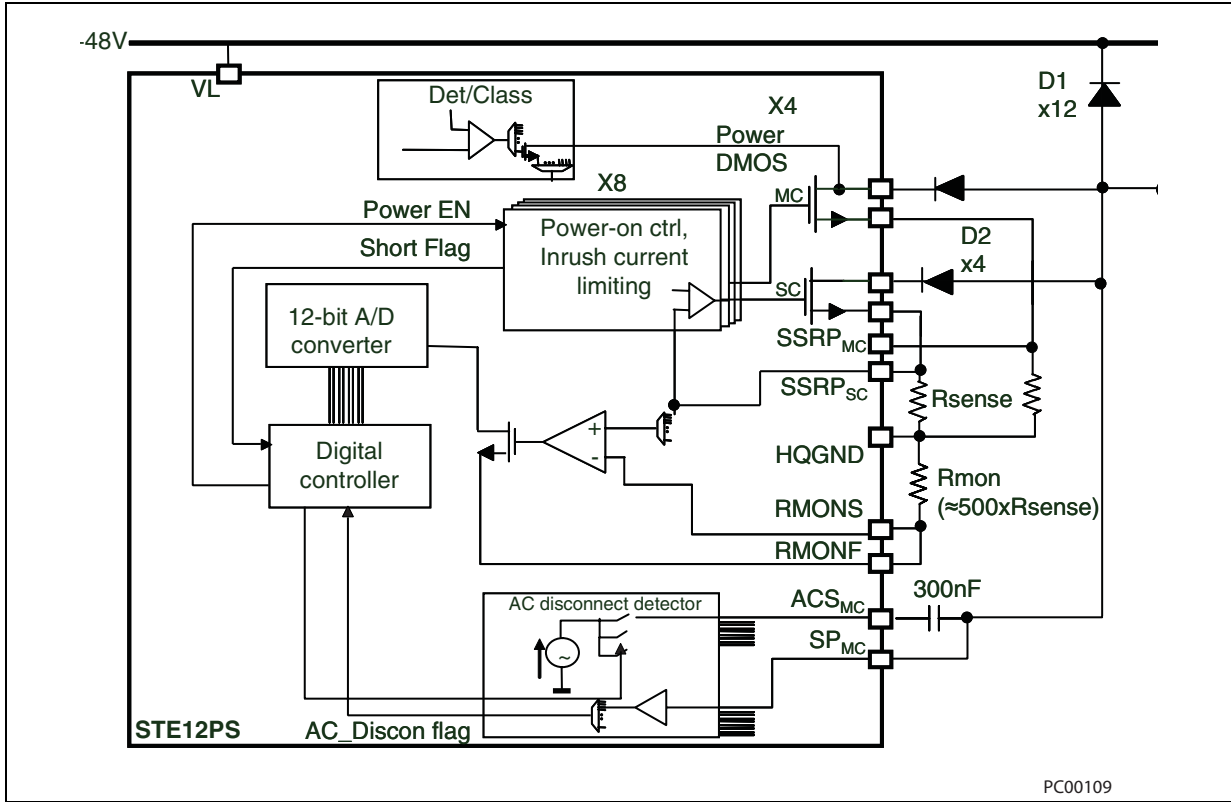


Figure 10. Crystal oscillator

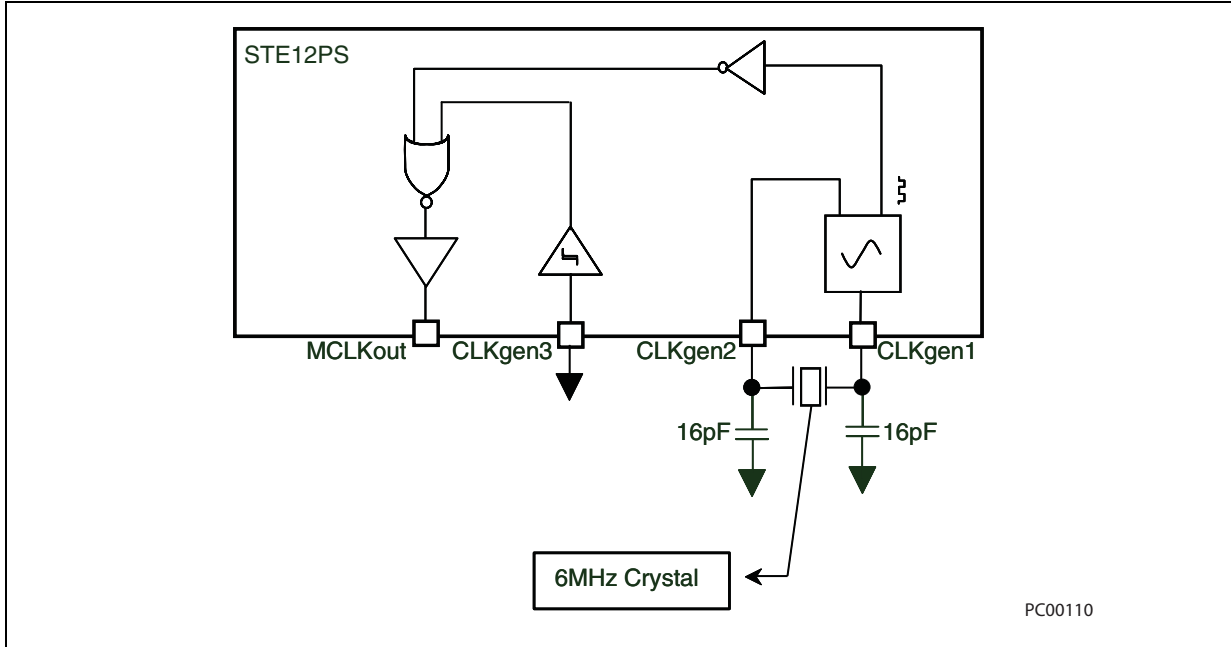


Figure 11. Low cost RC oscillator

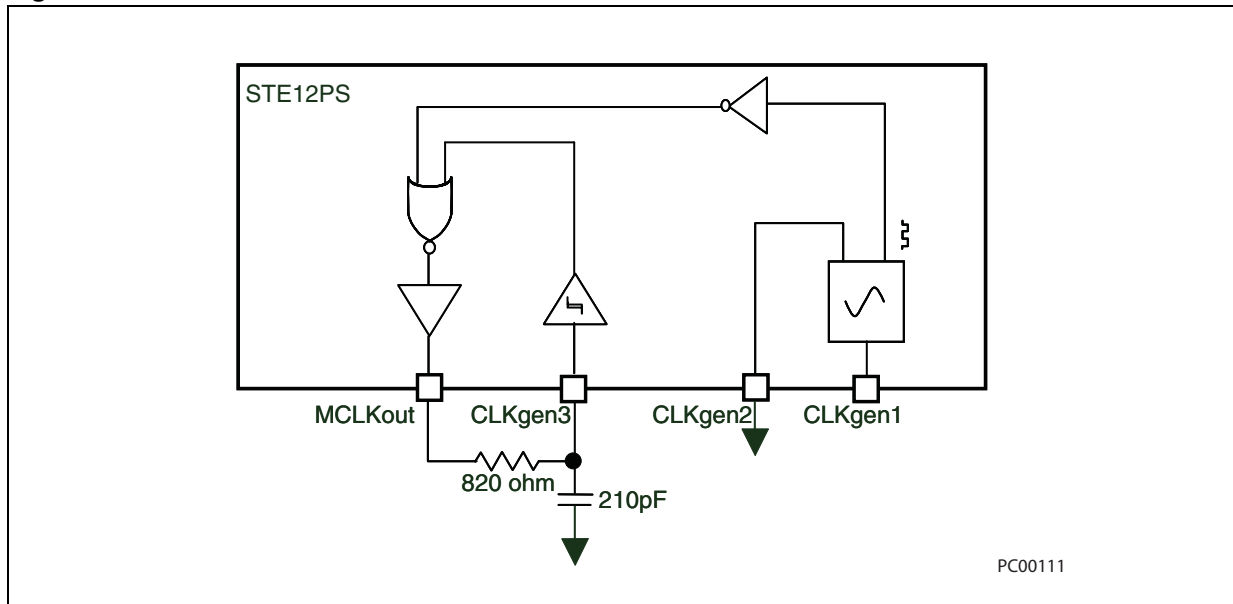
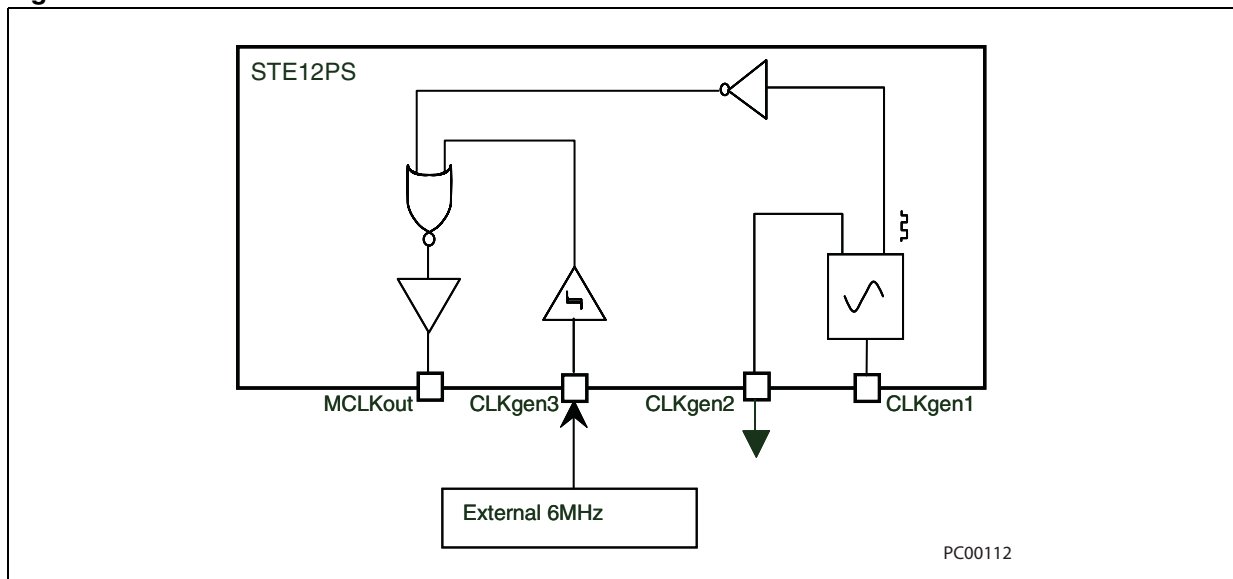


Figure 12. With external oscillator



3.9 Measurement and parameter codings

Table 6 below lists codifications for the various parameters such as detection conductance or resistances, classification or monitoring currents, port voltages, port powers and power budgets.

Table 6. Measurement and parameter codings

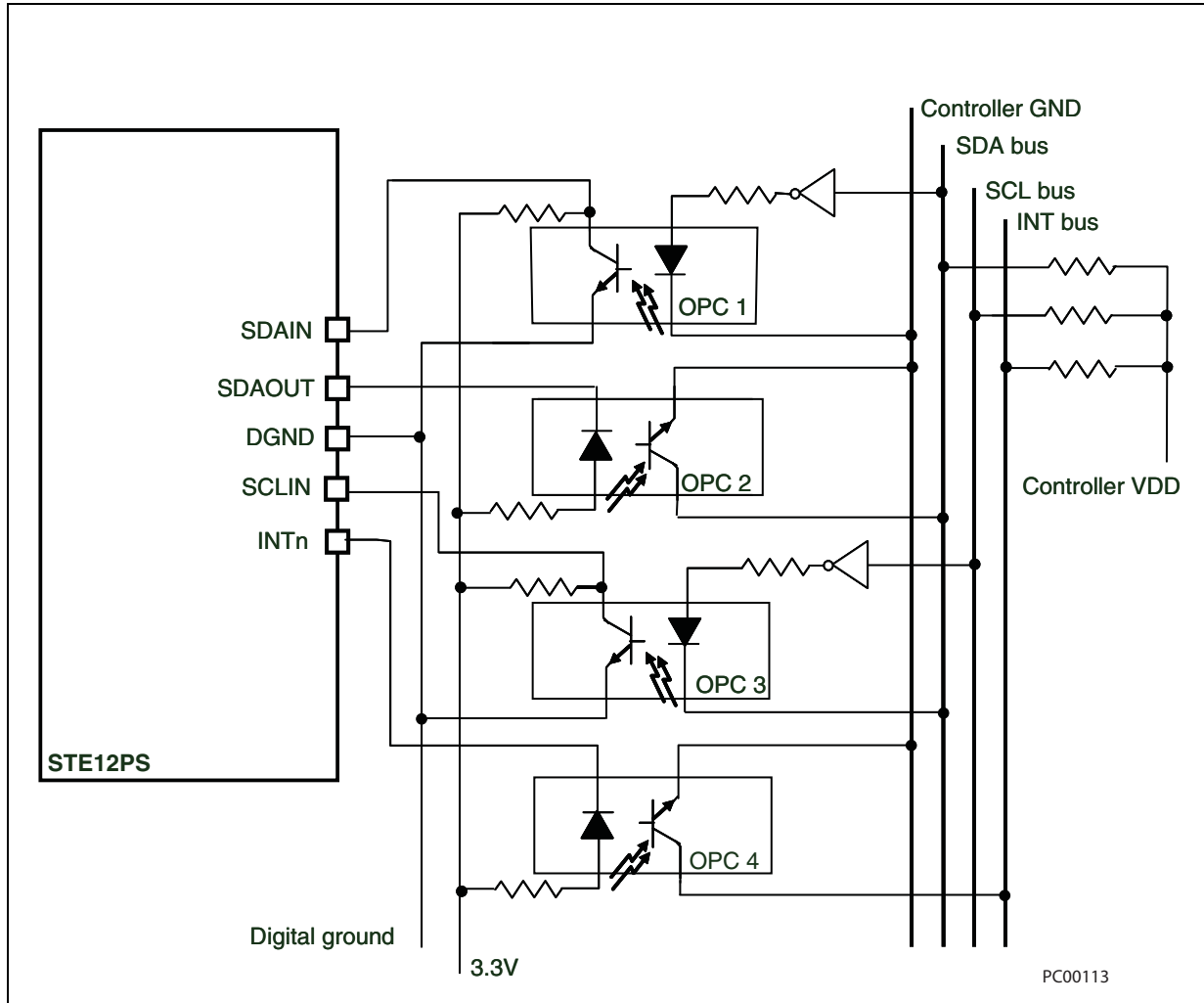
Parameter	Description	Range	Step	Units	Number of steps
Idet	Detection current	0 to 1023	1	μA	1024
Gdet, Gdl, Gdh	Detection conductances	0 to 256	0.250	μS	1024
Rdet, Rdl, Rdh ⁽¹⁾	Detection resistances	8 to 48.96	0.01	$\text{K}\Omega$	4096
Iclass	Current classification	0 to 70	0.065064	mA	1024
Imon	Channel current during powering	0 to 1024	0.0312662	mA	32768
Vport	Battery voltage	0 to 70	0.27451	V	256
Pmeas	Channel power usage	0 to 35000	35.149	mW	1024

1. Rdet, Rdl and Rdh are the alternative to Gdet, Gdl and Gdh which are the default. If Rdet measures more than 500kohms, the "open-circuit" flag is raised, that is set HIGH.

4 I2C interface

The STE12PS has an I2C interface to allow the access to the internal device registers. The external controller can be fully isolated from the Ethernet port thanks to an integrated 3.3V SMPS power source and using optocouplers on I2C bus. (Figure 13).

Figure 13. Isolated ethernet power system using optocouplers for I²C interface



5 I²C slave protocol overview

The interface is capable of recognizing its own address (7 bit).

Data and addresses are transferred as 8-bit bytes, MSB first. The first byte following the start condition contains the device address.

A 9th clock pulse follows the 8 clock cycles of a byte transfer during which the receiver must pull LOW the SDA line to acknowledge the transfer.

The speed of the I²C interface is fixed at Fast I²C, that is, 100 to 400kHz.

5.1 Functional description

As soon as a start condition is detected, the address is received from the SDA line and sent to a shift register; then it is compared with the internal address that is composed by the five pins for the five LSB and by a hardwired value equal to "01" for the other two bits.

In case of address mismatch the interface ignores it and waits for another Start condition.

If address is matched the interface generates an acknowledge pulse.

Following the address reception, POE digital controller receives bytes from the SDA line into the data register via an internal shift register or sends bytes from the data register to the SDA line through the internal shift register. After each byte reception an acknowledge pulse is generated by the controller.

A Stop condition generated by the host processor, after the last data byte is transferred, closes the communication.

5.2 Error cases

An error state is generated when Stop or Start conditions are detected during a byte transfer. If it is a Stop then the interface discards the data, releases the lines and waits for another Start condition. If it is a Start then the interface discards the data and waits for the next slave address on the bus.

5.3 Interrupts

Irq register bits indicate which signals can generate an interrupt. The register is read only and to clear the interrupt bits the corresponding source event has to be cleared. The logic OR condition of the interrupt bits causes the INTN pin assertion. The INTN assertion can be masked via the interrupt mask register *Irq_mask*.

5.4 I²C device address

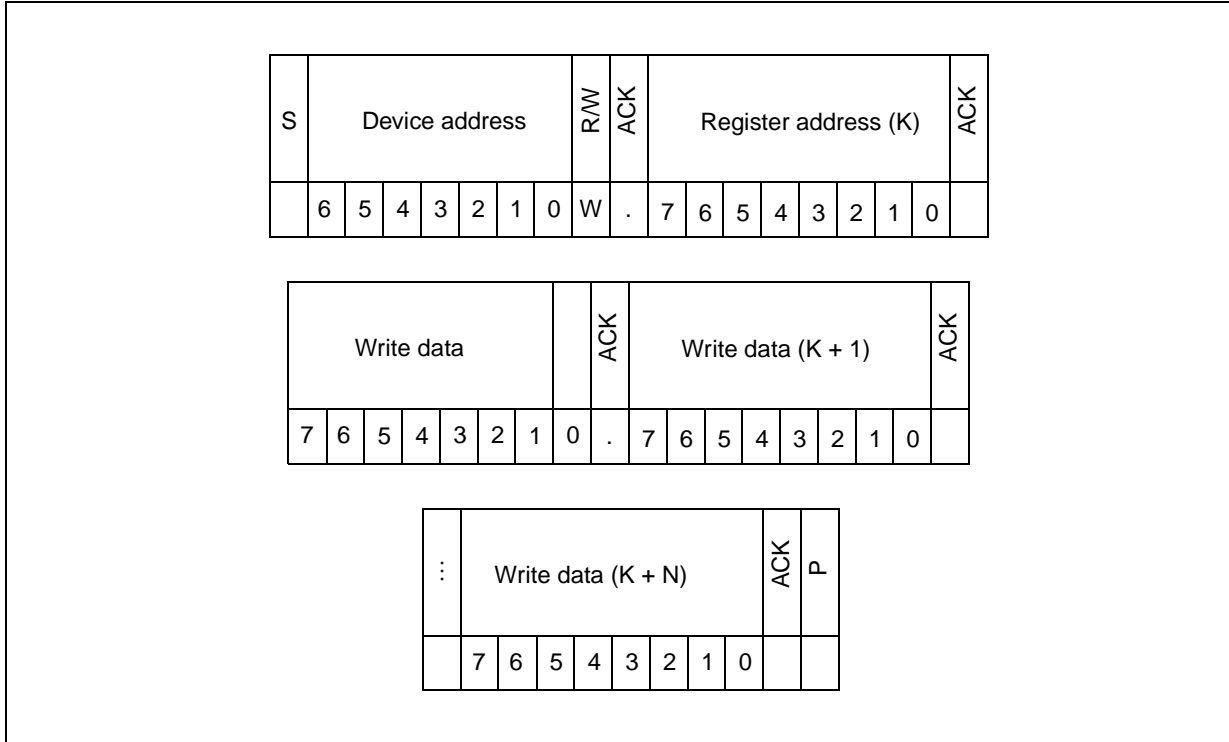
The device is required to have an I²C address of: 01xxxxb(A6 down to A0).

Pins I2C_ADDR[4:0] can be used to set the lower I²C address bits.

5.5 Register addressing: write command format

I²C write command format is shown in [Figure 14](#).

Figure 14. Write command



The formatting bits shown in [Figure 14](#) are defined as follows:

- S - I²C start condition
- P - I²C stop condition
- ACK – acknowledge
- NACK - not acknowledge
- R/W - read/write

The device address is the value specified in I²C device address. The register address is an eight-bit value that is written into an internal Index Register. Each time a byte of data is written to, or read from the POE controller, the Index Register increments by one.

If the initial value written to the Index Register is K, then the byte immediately following the Register Address byte is written to the register with an address of K. The next byte is written to the register with the address of K+1, and so on.

An I²C write command can contain from 0 to 255 write data bytes. Write commands to an unknown register location are ignored by the interface.

As shown in [Figure 14](#), bits are ordered with the most significant bit first.

5.6 Register addressing: read command format

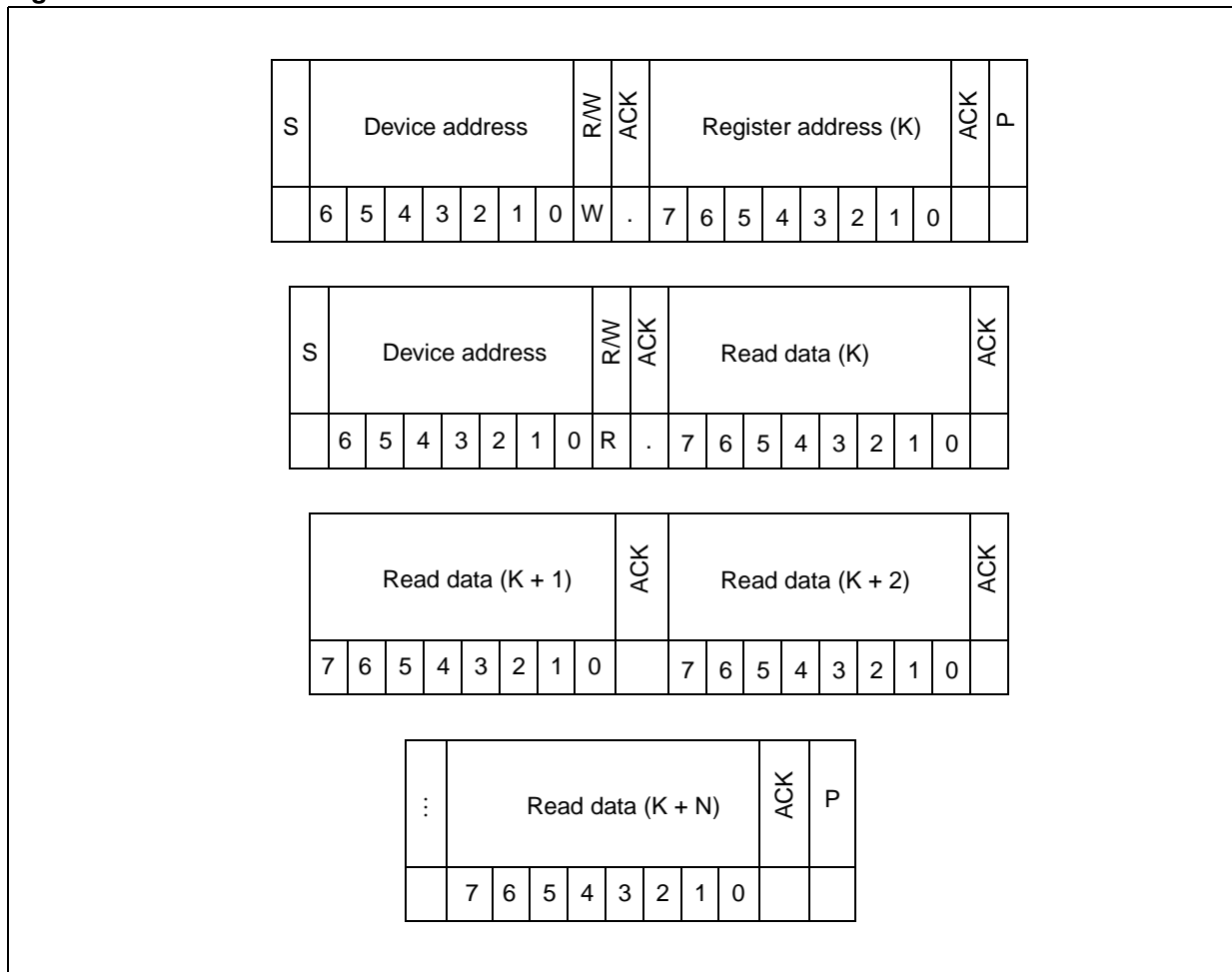
The general format of the read command is shown in [Figure 15](#).

First part of the general read command consists of writing an address to the Index Register of the POE controller. If the Index Register already contains the address of the register to be read, as the result of a previous read or write command, then it is not necessary to write that address to the Index Register again.

After each byte is read from the POE controller, the Index Register is required to increment by one.

A read command can contain from 0 to 255 bytes.

Figure 15. Read command



5.7 Parallel monitoring interface

In order to monitor the status of the different ports without the I²C register addressing, a simple, output status interface has been implemented.

This digital interface is comprised of 9 output pins: CH_SEL[3:0], POK, OVLD, OVCUR, AC_DC_DISCON and DET_CLASS.

Bits *CH_SEL*[3:0] indicate the channel status flags (POK,..., DET_CLASS) that are currently notified, externally. CH_SEL is incremented every 60MCLK clock cycles.

POK stands for Power OK. When HIGH, it indicates that the channel is currently powered-on in normal condition.

OVLD stands for OverLoad and indicates a faulty condition due to abnormal power dissipation (more than Pclass) of a powered channel.

OVCUR stands for OverCurrent, and it highlights a channel whose current has reached the power-on current limit of 425mA (typ. value).

Bit *AC_DC_DISCON* goes HIGH when a powered channel fails in providing a correct MPS (maintain power signature). This typically happens when a PD is disconnected from the line.

DET_CLASS indicates a situation where a channel is not yet powered and whose "signature" is currently being probed.

Status flag notification is enabled by bit STATUS_FLAG_EN of the configuration register Global_cfg2. By default this bit is HIGH, that is, enabled.

This information is particularly useful in simple applications without a microprocessor or for testing purposes. Another use is to easily build-up an LED graphical interface showing runtime status of the various channels.



6 Electrical specifications and timings

Table 7. Absolute maximum ratings

Symbol	Parameter	Value	Units
$V_L, SMPSV_L$	Battery voltage	90	V
V_{cc3}, V_{dd}, V_{dde}	3.3V power supply	3.6	V
V_{10}, V_{dd10}	10V power supply	12	V
T_j	Maximum junction temperature	150	°C

Table 8. Operating range

Symbol	Parameter	Value	Units
T_{opt}	Operating temperature range	-20 to +85	°C
$V_L, SMPSV_L$	Battery voltage	44 to 57	V
GNDs	Ground separation	-0.3	V
V_{cc3}, V_{dd}, V_{dde}	3.3V when externally supplied	3 to 3.6	V
V_{10}, V_{dd10}	10V when externally supplied	9 to 11	V
I_{V10}, I_{Vdd10}	10V current sink (when externally supplied)	6.7 typ.	mA
I_{VI}	Battery current sink (when 10V is externally supplied)	0.4 typ.	mA
I_{VI}	Battery current sink (when 10V is self generated)	7.4 typ.	mA
$I_{V3.3}$	3.3V current sink (AUTO mode)	20 typ.	mA

Table 9. Thermal data

Symbol	Parameter	Value	Units
$R_{th\ j-amb}$	Thermal resistance junction-to-ambient (natural convection)	25	°C/W

Table 10. Electrical characteristics

Symbol	Parameter	Min.	Typ.	Max.	Units	Notes
Detection						
Vdl	Detection voltage LOW level	3.7	4	4.3	V	Between port terminals
Vdh	Detection voltage HIGH level	7.4	8	8.6	V	Between port terminals
Tds	Transient time between Vdl and Vdh	300			µs	Adjustable with external capacitor Cdetslow
Gdl	Conductance signature, lower limit (Software programmable)	25		50	µmhos	Software programmable)
Gdh	Conductance signature, upper limit (Software programmable)	41		82	µmhos	Software programmable
Rdl	Resistance signature, lower limit (Software programmable)	12		24	kΩ	Software programmable, to be used as an alternative to Gdh
Rdh	Resistance signature, upper limit (Software programmable)	20		40	kΩ	Software programmable, to be used as an alternative to Gdl
Idlim	Current limit during detection			1.1	mA	
Tdet	Detection time		50		ms	12-port configuration, one channel at a time
Tdetd	Detection delay time (from PD insertion to end of detection phase)			852	ms	Maximum delay for 12-port configuration
Tdbo	Back-off time (midspan mode)	2			sec.	Back off time in case of failed PD detection, avoided if Rdet > 500kΩ or Gdet < 2µmhos
Ted	Error delay time	750			ms	
Classification						
Vcl	Classification probing voltage	15.9	17	18.1	V	Between port terminals
Icllim	Current limit during classification	55		70	mA	
Tcl	Classification time		15		ms	One channel at a time, classification measurement has to be considered as sampled and integrated over this time interval.
Ithcl0	Class0-1 current threshold	5.5	6.5	7.5	mA	
Ithcl1	Class1-2 current threshold	13.5	14.5	15.5	mA	
Ithcl2	Class2-3 current threshold	21.8	23	24.2	mA	
Ithcl3	Class3-4 current threshold	31.5	33	34.5	mA	



Table 10. Electrical characteristics (continued)

Symbol	Parameter	Min.	Typ.	Max.	Units	Notes
Ithcl4	Class4-0 current threshold	45.5	46.5	47.5	mA	
Powering						
Pall	Maximum power per channel			15.4	W	See also classification paragraph (doubled in case of Boost configuration)
Iinrush	Output current startup mode	400		450	mA	Inrush current soft start
Imin	Power off current	5		10	mA	Disconnect for $t > T_{PMDO}$ (DC disconnection method)
Acfre	AC disconnection sinusoidal generator		50		Hz	Frequency spread related to clock stability
Vacd	AC generator open line voltage		2.5		V_{pp}	
Zac	AC impedance needed to maintain power		100		$k\Omega$	
Tmpdo	PD power maintenance request drop out time limit (Software programmable)	300		400	ms	The STE12PS will not remove power if the PD maintenance signal is absent for less than 300ms duration. If an absence of power maintenance signal has been detected, the STE12PS shall remove power within 400ms max ⁽¹⁾
Icut	Over load current	Pall/Vport		400	mA	After time duration of T_{ovld} the STE12PS will disconnect the power from the port.
Tovld	Over load time limit (Software programmable)	50	65	75	ms	In fault condition for T_{ovld} , the STE12PS will disconnect the port. ⁽¹⁾
Tshort	Short-circuit/inrush time limit (Software programmable)	50	65	75	ms	In fault condition for T_{short} , the STE12PS will disconnect the port. ⁽¹⁾
I _{lim}	Output load current under short - circuit condition	400		450	mA	Max. value of port current during short circuit condition. Power will be disconnected from the port within T_{short}
Tinrush	Rise time of Vport time limit			75	ms	Expired T_{inrush} if the channel is still in limiting condition it is considered in fault

Table 10. Electrical characteristics (continued)

Symbol	Parameter	Min.	Typ.	Max.	Units	Notes
T _{off}	Turn off time			100	ms	From VPort to 2.8V DC
R _{on}	Internal MOSFET resistance in ON mode			1	ohms	
V _{sLR}	3V range in generator mode	3	3.3	3.6	V	
V10 int	10V range internally generated		8.7		V	
Digital						
Fclk	Clock frequency		6		MHz	
V _{IH}	Input HIGH level voltage	2			V	@ V _{DD} = 3.3V
V _{IL}	Input LOW level voltage		0.8		V	@ V _{DD} = 3.3V
I _{IH}	Input High current			30	μA	
I _{IL}	Input LOW current			10	μA	

1. See also timer programmability

7 Ball coordinates

Figure 16. Balls top view layout (as viewed through package)

VIEW THROUGH PACKAGE		1	2	3	4	5	6	7	8	9	10	11	12	13	14	15	16	17	18	19	20	21	22	
A	CH_SEL0	CH_SEL1	OVL0	SCL	INTN	SDAIN	SDAOUT	CH_NUM1	CH_NUM0	AGND	IDET_HVL_V	L_REF	Vbaitref	AGND	RESETN	PORn	vdd	grd	vdd	grd	POWERLE_N0	POWERLE_N1	POWERLE_N2	
B	CH_SEL2	CH_SEL3	AC_DC_DISCON	DET_CLAS_S	I2C_ADDR_0	I2C_ADDR_1	I2C_ADDR_2	TEST_MO_DET1	TEST_MO_DET0	AGND	AGND	IMON_HVL_V	Vbatmon	AGND	vdd	vdd	grd	grd	grd	POWERLE_N3	POWERLE_N4	POWERLE_N5		
C	vd410	V10	V3_3	POK	OVCUR	I2C_ADDR_3	I2C_ADDR_4	A_BN_SEL	AUTO_ST	SCAN_EN	AGND	AGND	AGND	AGND	vdd	grd	grd	grd	grd	POWERLE_N6	POWERLE_N7	POWERLE_N8		
D	SMPSGND	SFTswr	Acin	Acout	grd	CLK_GEN1	CLK_GEN2	MCLKout	CLK_GEN3	VDDA	grd	grd	grd	grd	vdd	vdd	grd	grd	grd	POWERLE_N9	POWERLE_N10	POWERLE_N11		
E	SU	NC	RREF	grd	grd	grd	grd	grd	grd	grd	grd	grd	grd	grd	grd	grd	grd	grd	grd	CdeSlow	NC	NC		
F	NC	NC	FB	grd	grd	grd	grd	grd	grd	grd	grd	grd	grd	grd	grd	grd	grd	grd	grd	RMONS	NC	P8_1-2		
G	SenseR	NC	SenseProg Pin0	DCND	grd	grd	grd	grd	grd	grd	grd	grd	grd	grd	grd	grd	grd	grd	grd	H0grd	FSRp8_1-2	NC	P6_3	
H	Vdrive	NC	SenseProg Pin1	DCND	grd	grd	grd	grd	grd	grd	grd	grd	grd	grd	grd	grd	grd	grd	grd	ACS8	FSRp8_3	NC	SP8	
J	SMPSVL	NC	ACS6	GND	grd	grd	grd	grd	grd	grd	grd	grd	grd	grd	grd	grd	grd	grd	grd	SSRp8	ACS4	NC	NC	
K	VL	NC	SSRp5	GND	grd	grd	grd	grd	grd	grd	grd	grd	grd	grd	grd	grd	grd	grd	grd	SSRp4	FSRp4_1-2	NC	PA_1-2	
L	NC	NC	FSRp5_1-2	GND	grd	grd	grd	grd	grd	grd	grd	grd	grd	grd	grd	grd	grd	grd	grd	GND	FSRp4_3	NC	PA_3	
M	P5_1-2	NC	FSRp6_3	GND	grd	grd	grd	grd	grd	grd	grd	grd	grd	grd	grd	grd	grd	grd	grd	GND	ACS12	NC	SP4	
N	P6_3	NC	ACS1	GND	grd	grd	grd	grd	grd	grd	grd	grd	grd	grd	grd	grd	grd	grd	grd	GND	SSRp12	NC	NC	
P	SP5	NC	SSRp1	GND	grd	grd	grd	grd	grd	grd	grd	grd	grd	grd	grd	grd	grd	grd	grd	GND	FSRp12_1-2	NC	P12_1-2	
R	NC	NC	FSRp1_1-2	GND	grd	grd	grd	grd	grd	grd	grd	grd	grd	grd	grd	grd	grd	grd	grd	GND	FSRp12_3	NC	P12_3	
T	P1_1-2	NC	FSRp1_3	GND	grd	grd	grd	grd	grd	grd	grd	grd	grd	grd	grd	grd	grd	grd	grd	GND	ACS7	NC	SP12	
U	P1_3	NC	ACS9	GND	grd	grd	grd	grd	grd	grd	grd	grd	grd	grd	grd	grd	grd	grd	grd	GND	SSRp7	NC	NC	
V	SP1	NC	SSRp9	GND	grd	grd	grd	grd	grd	grd	grd	grd	grd	grd	grd	grd	grd	grd	grd	GND	FSRp7_1-2	NC	P7_1-2	
W	NC	NC	FSRp9_1-2	GND	grd	grd	grd	grd	grd	grd	grd	grd	grd	grd	grd	grd	grd	grd	grd	GND	SSRp3	FSRp7_3	NC	P7_3
Y	P9_1-2	NC	FSRp9_3	ACS6	FSRp6_1-2	FSRp6_3	ACS2	FSRp2_1-2	FSRp2_3	ACS10	SSRp10	FSRp10_1-2	FSRp10_3	FSRp11_1-2	SSRp11	ACS11	FSRp3_3	FSRp3_4	FSRp3_4	ACS3	NC	NC	SP7	
AA	P9_3	NC	NC	NC	NC	NC	NC	NC	NC	NC	NC	NC	NC	NC	NC	NC	NC	NC	NC	NC	NC	NC	NC	
AB	SP9	NC	P8_1-2	P6_3	SP6	NC	P2_1-2	P2_3	SP2	NC	P10_1-2	P10_3	SP10	NC	SP11	P11_3	P11_1-2	NC	SP3	P3_3	P3_1-2	NC		



Table 11. Pad coordinates

Column	Row	Pin name
1	A	CH_SEL0
1	B	CH_SEL2
1	C	vdd10
1	D	SMPSGND
1	E	S/U
1	F	NC
1	G	RSENSE
1	H	Vdrive
1	J	SMPSVL
1	K	VL
1	L	NC
1	M	P5_1-2
1	N	P5_3
1	P	SP5
1	R	NC
1	T	P1_1-2
1	U	P1_3
1	V	SP1
1	W	NC
1	Y	P9_1-2
1	AA	P9_3
1	AB	SP9
2	A	CH_SEL1
2	B	CH_SEL3
2	C	V10
2	D	SFTstr
2	E	NC
2	F	NC
2	G	NC
2	H	NC
2	J	NC
2	K	NC
2	L	NC
2	M	NC
2	N	NC

Column	Row	Pin name
2	P	NC
2	R	NC
2	T	NC
2	U	NC
2	V	NC
2	W	NC
2	Y	NC
2	AA	NC
2	AB	NC
3	A	OVLD
3	B	AC_DC_DISCON
3	C	V3_3
3	D	ACin
3	E	RREF
3	F	FB
3	G	SenseProgPin0
3	H	SenseProgPin1
3	J	ACS5
3	K	SSRp5
3	L	FSRp5_1-2
3	M	FSRp5_3
3	N	ACS1
3	P	SSRp1
3	R	FSRp1_1-2
3	T	FSRp1_3
3	U	ACS9
3	V	SSRp9
3	W	FSRp9_1-2
3	Y	FSRp9_3
3	AA	NC
3	AB	P6_1-2
4	A	SCL
4	B	DET_CLASS
4	C	POK
4	D	ACout



Table 11. Pad coordinates (continued)

Column	Row	Pin name
4	E	gnd
4	F	gnd
4	G	DGND
4	H	DGND
4	J	GND
4	K	GND
4	L	GND
4	M	GND
4	N	GND
4	P	GND
4	R	GND
4	T	GND
4	U	GND
4	V	GND
4	W	GND
4	Y	ACS6
4	AA	NC
4	AB	P6_3
5	A	INTN
5	B	I2C_ADDR0
5	C	OVCUR
5	D	gnd
5	W	SSRp6
5	Y	FSRp6_1-2
5	AA	NC
5	AB	SP6
6	A	SDAIN
6	B	I2C_ADDR1
6	C	I2C_ADDR3
6	D	CLK_GEN1
6	W	GND
6	Y	FSRp6_3
6	AA	NC
6	AB	NC
7	A	SDAOUT

Column	Row	Pin name
7	B	I2C_ADDR2
7	C	I2C_ADDR4
7	D	CLK_GEN2
7	W	GND
7	Y	ACS2
7	AA	NC
7	AB	P2_1-2
8	A	CH_NUM1
8	B	TEST_MODE1
8	C	A_BN_SEL
8	D	MCLKout
8	W	SSRp2
8	Y	FSRp2_1-2
8	AA	NC
8	AB	P2_3
9	A	CH_NUM0
9	B	TEST_MODE0
9	C	AUTO_START
9	D	CLK_GEN3
9	J	gnd
9	K	GND
9	L	GND
9	M	GND
9	N	GND
9	P	GND
9	W	GND
9	Y	FSRp2_3
9	AA	NC
9	AB	SP2
10	A	AGND
10	B	AGND
10	C	SCAN_EN
10	D	VDDA
10	J	gnd
10	K	GND

Table 11. Pad coordinates (continued)

Column	Row	Pin name
10	L	GND
10	M	GND
10	N	GND
10	P	GND
10	W	GND
10	Y	ACS10
10	AA	NC
10	AB	NC
11	A	IDET_HVLV
11	B	AGND
11	C	AGND
11	D	gnd
11	J	gnd
11	K	GND
11	L	GND
11	M	GND
11	N	GND
11	P	GND
11	W	GND
11	Y	SSRp10
11	AA	NC
11	AB	P10_1-2
12	A	I_REF
12	B	IMON_HVLV
12	C	AGND
12	D	gnd
12	J	gnd
12	K	GND
12	L	GND
12	M	GND
12	N	GND
12	P	GND
12	W	GND
12	Y	FSRp10_1-2
12	AA	NC

Column	Row	Pin name
12	AB	P10_3
13	A	Vbatref
13	B	Vbatmon
13	C	AGND
13	D	GND
13	J	GND
13	K	GND
13	L	GND
13	M	GND
13	N	GND
13	P	GND
13	W	GND
13	Y	FSRp10_3
13	AA	NC
13	AB	SP10
14	A	AGND
14	B	AGND
14	C	AGND
14	D	gnde
14	J	gnd
14	K	GND
14	L	GND
14	M	GND
14	N	GND
14	P	GND
14	W	GND
14	Y	FSRp11_1-2
14	AA	NC
14	AB	NC
15	A	RESETN
15	B	vdde
15	C	vdde
15	D	gnde
15	W	GND
15	Y	FSRp11_3



Table 11. Pad coordinates (continued)

Column	Row	Pin name
15	AA	NC
15	AB	SP11
16	A	PORn
16	B	vdde
16	C	gnde
16	D	vdd
16	W	GND
16	Y	SSRp11
16	AA	NC
16	AB	P11_3
17	A	vdde
17	B	gnde
17	C	vdd
17	D	vdd
17	W	GND
17	Y	ACS11
17	AA	NC
17	AB	P11_1-2
18	A	gnde
18	B	vdd
18	C	gnd
18	D	gnd
18	W	GND
18	Y	FSRp3_3
18	AA	NC
18	AB	NC
19	A	vdd
19	B	gnd
19	C	gnd
19	D	gnd
19	E	gnd
19	F	RMONS
19	G	HQgnd
19	H	ACS8
19	J	SSRp8

Column	Row	Pin name
19	K	SSRp4
19	L	GND
19	M	GND
19	N	GND
19	P	GND
19	R	GND
19	T	GND
19	U	GND
19	V	GND
19	W	SSRp3
19	Y	FSRp3_1-2
19	AA	NC
19	AB	SP3
20	A	POWER_EN0
20	B	POWER_EN3
20	C	POWER_EN6
20	D	POWER_EN9
20	E	CdetSlow
20	F	RMONF
20	G	FSRp8_1-2
20	H	FSRp8_3
20	J	ACS4
20	K	FSRp4_1-2
20	L	FSRp4_3
20	M	ACS12
20	N	SSRp12
20	P	FSRp12_1-2
20	R	FSRp12_3
20	T	ACS7
20	U	SSRp7
20	V	FSRp7_1-2
20	W	FSRp7_3
20	Y	ACS3
20	AA	NC
20	AB	P3_3

Table 11. Pad coordinates (continued)

Column	Row	Pin name
21	A	POWER_EN1
21	B	POWER_EN4
21	C	POWER_EN7
21	D	POWER_EN10
21	E	NC
21	F	NC
21	G	NC
21	H	NC
21	J	NC
21	K	NC
21	L	NC
21	M	NC
21	N	NC
21	P	NC
21	R	NC
21	T	NC
21	U	NC
21	V	NC
21	W	NC
21	Y	NC
21	AB	P3_1-2
22	A	POWER_EN2
22	B	POWER_EN5
22	C	POWER_EN8
22	D	POWER_EN11
22	E	NC
22	F	P8_1-2
22	G	P8_3
22	H	SP8
22	J	NC
22	K	P4_1-2
22	L	P4_3
22	M	SP4
22	N	NC
22	P	P12_1-2

Column	Row	Pin name
22	R	P12_3
22	T	SP12
22	U	NC
22	V	P7_1-2
22	W	P7_3
22	Y	SP7
22	AA	NC
22	AB	NC

8 Package information - mechanical data

In order to meet environmental requirements, ST Microelectronics offers these devices in ECOPACK® packages. These packages have a lead-free second level interconnect. The category of second level interconnect is marked on the package on the inner box label, in compliance with JEDEC standard JESD97. The maximum ratings related to soldering conditions are also marked on the inner box label. ECOPACK is an ST Microelectronics trademark. ECOPACK specifications are available at: www.st.com.

Package code: TN

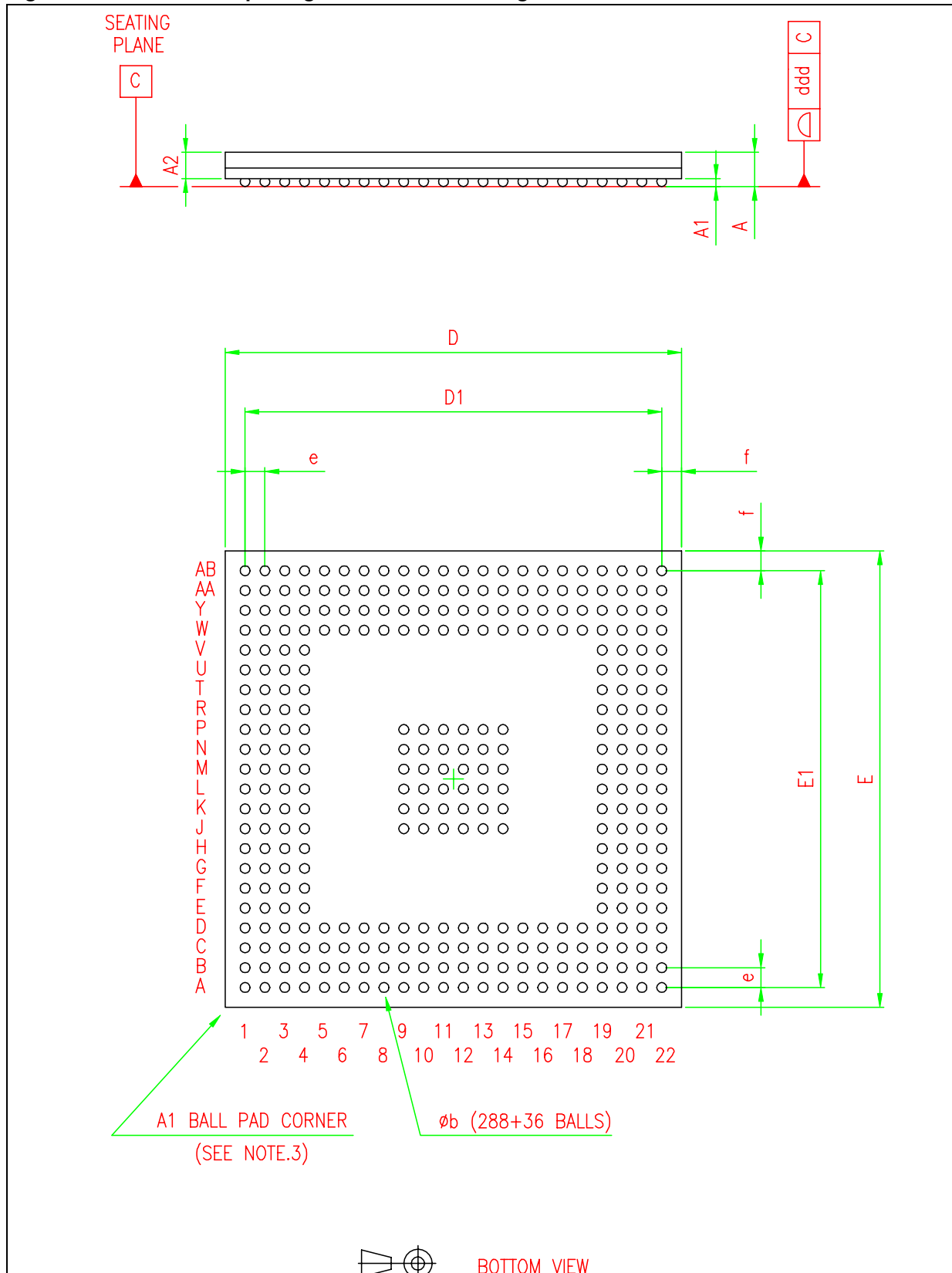
JEDEC/EIAJ reference number: JEDEC standard No. 95-1, section 14 (ball grid array package design guide)

Table 12. Package dimensions

Ref.	Databook (mm)			Drawing (mm)		
	Min.	Typ.	Max.	Min.	Typ.	Max.
A		1.720		1.620	1.720	1.820
A1	0.270			0.350	0.400	0.450
A2		1.320			1.320	
b	0.450	0.500	0.550	0.450	0.500	0.550
D	22.800	23.000	23.200	22.900	23.000	23.100
D1		21.000				21.000
E	22.800	23.000	23.200	22.900	23.000	23.100
E1		21.000				21.000
e	0.950	1.000	1.050	0.950	1.000	1.050
f	0.875	1.000	1.125	0.875	1.000	1.125
ddd			0.200			0.200

- Note:
- 1 Maximum mounted height, dimension A, is 1.77mm based on a 0.35mm ball pad diameter. Solder paste is 0.15mm thick and 0.35mm in diameter.
 - 2 PBGA stands for Plastic Ball Grid Array.
 - 3 The terminal A1 corner must be on the top surface by using a corner chamfer, ink, metallized markings or some other feature of the package body or internal heatslug.
 - 4 A distinguishing feature is allowed on the bottom surface of the package to identify terminal the A1 corner.
 - 5 Exact shape of each corner is optional.

Figure 17. PBGA23x23 package mechanical drawing



9 Ordering information

Table 13. Order codes

Part number	Temp range, °C	Package
E-STE12PS ⁽¹⁾	-40 to +85	PBGA (23mm x 23mm x 1.82mm)

1. E-: ECOPACK®

10 Revision history

Table 14. Document revision history

Date	Revision	Changes
10-Nov-2006	1	Initial release

Please Read Carefully:

Information in this document is provided solely in connection with ST products. STMicroelectronics NV and its subsidiaries ("ST") reserve the right to make changes, corrections, modifications or improvements, to this document, and the products and services described herein at any time, without notice.

All ST products are sold pursuant to ST's terms and conditions of sale.

Purchasers are solely responsible for the choice, selection and use of the ST products and services described herein, and ST assumes no liability whatsoever relating to the choice, selection or use of the ST products and services described herein.

No license, express or implied, by estoppel or otherwise, to any intellectual property rights is granted under this document. If any part of this document refers to any third party products or services it shall not be deemed a license grant by ST for the use of such third party products or services, or any intellectual property contained therein or considered as a warranty covering the use in any manner whatsoever of such third party products or services or any intellectual property contained therein.

UNLESS OTHERWISE SET FORTH IN ST'S TERMS AND CONDITIONS OF SALE ST DISCLAIMS ANY EXPRESS OR IMPLIED WARRANTY WITH RESPECT TO THE USE AND/OR SALE OF ST PRODUCTS INCLUDING WITHOUT LIMITATION IMPLIED WARRANTIES OF MERCHANTABILITY, FITNESS FOR A PARTICULAR PURPOSE (AND THEIR EQUIVALENTS UNDER THE LAWS OF ANY JURISDICTION), OR INFRINGEMENT OF ANY PATENT, COPYRIGHT OR OTHER INTELLECTUAL PROPERTY RIGHT.

UNLESS EXPRESSLY APPROVED IN WRITING BY AN AUTHORIZED ST REPRESENTATIVE, ST PRODUCTS ARE NOT RECOMMENDED, AUTHORIZED OR WARRANTED FOR USE IN MILITARY, AIR CRAFT, SPACE, LIFE SAVING, OR LIFE SUSTAINING APPLICATIONS, NOR IN PRODUCTS OR SYSTEMS WHERE FAILURE OR MALFUNCTION MAY RESULT IN PERSONAL INJURY, DEATH, OR SEVERE PROPERTY OR ENVIRONMENTAL DAMAGE. ST PRODUCTS WHICH ARE NOT SPECIFIED AS "AUTOMOTIVE GRADE" MAY ONLY BE USED IN AUTOMOTIVE APPLICATIONS AT USER'S OWN RISK.

Resale of ST products with provisions different from the statements and/or technical features set forth in this document shall immediately void any warranty granted by ST for the ST product or service described herein and shall not create or extend in any manner whatsoever, any liability of ST.

ST and the ST logo are trademarks or registered trademarks of ST in various countries.

Information in this document supersedes and replaces all information previously supplied.

The ST logo is a registered trademark of STMicroelectronics. All other names are the property of their respective owners.

© 2006 STMicroelectronics - All rights reserved

STMicroelectronics group of companies

Australia - Belgium - Brazil - Canada - China - Czech Republic - Finland - France - Germany - Hong Kong - India - Israel - Italy - Japan - Malaysia - Malta - Morocco - Singapore - Spain - Sweden - Switzerland - United Kingdom - United States of America

www.st.com

