

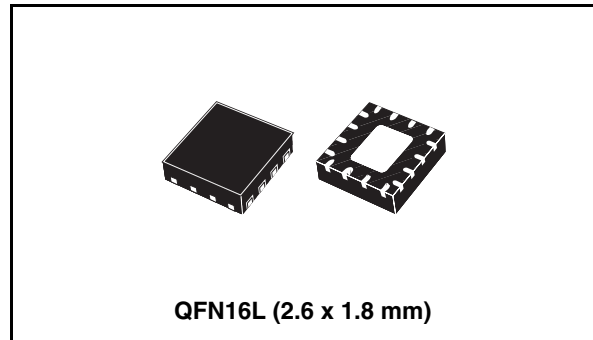


STG3482

Low voltage dual SP4T switch

Features

- Ultra low power dissipation:
 - $I_{CC} = 0.1 \mu\text{A}$ (max.) at $T_A = 25 \text{ }^\circ\text{C}$
- Low “ON” resistance:
 - $R_{ON} = 4.6 \Omega$ ($T_A = 25 \text{ }^\circ\text{C}$) at $V_{CC} = 4.3 \text{ V}$
 - $R_{ON} = 5.8 \Omega$ ($T_A = 25 \text{ }^\circ\text{C}$) at $V_{CC} = 3.0 \text{ V}$
- Wide operating voltage range:
 - $V_{CC} (\text{Opr}) = 1.65 \text{ to } 4.3 \text{ V}$ single supply
- 4.3 V tolerant and 1.8 V compatible threshold on digital control input at $V_{CC} = 2.3 \text{ to } 3.0 \text{ V}$
- Typical bandwidth (-3dB) at 300 MHz on all channels
- Latch-up performance exceeds 300 mA per JESD 78, Class II
- ESD performance exceeds JESD22
 - 2000-V Human body model (A114-A)



Description

The STG3482 is a high-speed CMOS low voltage dual analog SP4T (single pole four throw) switch or 4:1 multiplexer/demultiplexer switch fabricated in silicon gate C²MOS technology. It is designed to operate from 1.65 to 4.3 V, making this device ideal for portable applications.

By controlling the SEL1 and SEL2, one of the independent channels will be connected to the common channel. An /OE pin is also available in this device to disconnect all the switches.

Additional key features are fast switching speed, break-before-make delay time and ultra low power consumption. All inputs and outputs are equipped with protection circuits against static discharge, giving them ESD immunity and transient excess voltage.

Table 1. Device summary

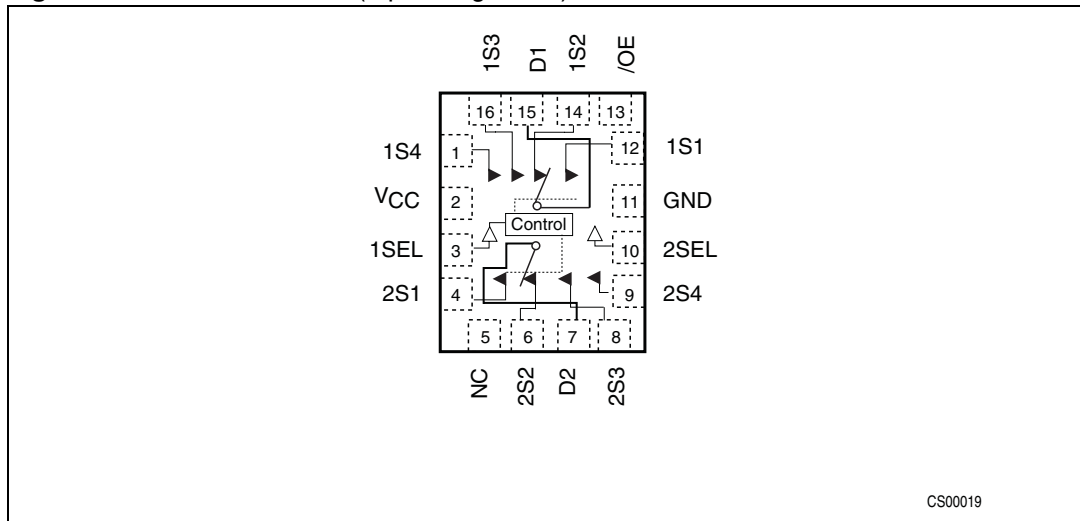
Order code	Package	Packaging
STG3482QTR	QFN16L (2.6 x 1.8 mm)	Tape and reel

Contents

1	Pin settings	3
	1.1 Pin description	3
2	Device summary	4
3	Maximum rating	5
	3.1 Recommended operating conditions	5
4	Electrical characteristics	6
5	Package mechanical data	10
6	Revision history	13

1 Pin settings

Figure 1. Pin connection (top through view)



1.1 Pin description

Table 2. Pin description

Pin number	Symbol	Name and function
1	1S4	Independent channel
2	V _{CC}	Positive supply voltage
3	1SEL	Control
4	2S1	Independent channel
5	NC	No connect
6	2S2	Independent channel
7	D2	Common channels
8	2S3	Independent channel
9	2S4	Independent channel
10	2SEL	Control
11	GND	Ground (0V)
12	1S1	Independent channel
13	/OE	Output enable (active low)
14	1S2	Independent channel
15	D1	Common channel
16	1S3	Independent channel

Note: Exposed pad must be soldered to a floating plane. Do NOT connect to power or ground.

2 Device summary

Figure 2. Input equivalent circuit

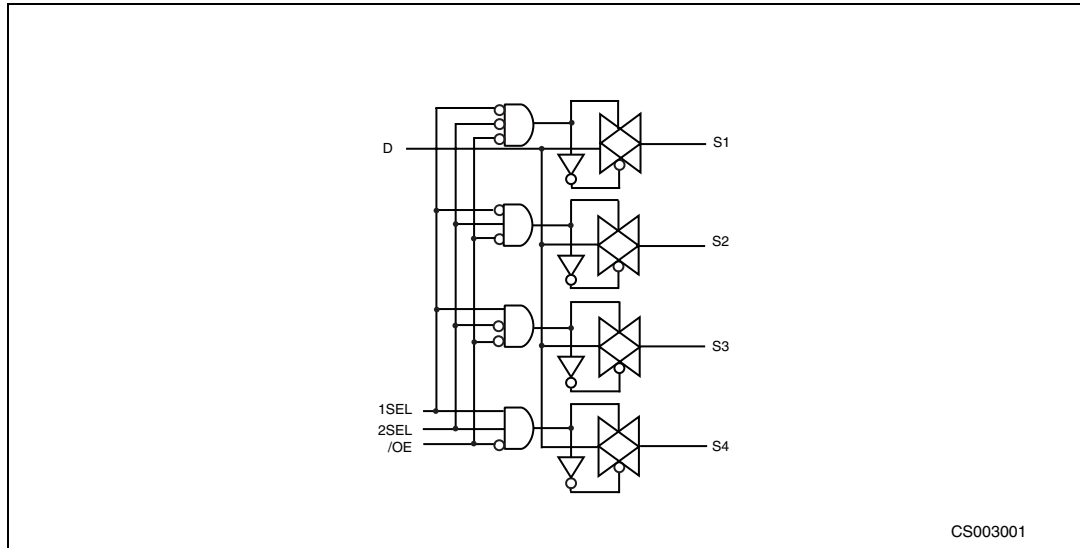


Table 3. Truth table

/OE	1SEL	2SEL	Switch connection
H	X	X	High-Z
L	L	L	D1-1S1, D2-2S1
L	L	H	D1-1S2, D2-2S2
L	H	L	D1-1S3, D2-2S3
L	H	H	D1-1S4, D2-2S4

3 Maximum rating

Stressing the device above the rating listed in the “Absolute maximum ratings” table may cause permanent damage to the device. These are stress ratings only and operation of the device at these or any other conditions above those indicated in the Operating sections of this specification is not implied. Exposure to absolute maximum rating conditions for extended periods may affect device reliability. Refer also to the STMicroelectronics SURE Program and other relevant quality documents.

Table 4. Absolute maximum ratings

Symbol	Parameter	Value	Unit
V_{CC}	Supply voltage	-0.5 to 5.5	V
V_I	DC input voltage	-0.5 to $V_{CC} + 0.5$	V
V_{IC}	DC control input voltage	-0.5 to 5.5	V
V_O	DC output voltage	-0.5 to $V_{CC} + 0.5$	V
I_{IKC}	DC input diode current on control pin ($V_{SEL} < 0V$)	-50	mA
I_{IK}	DC input diode current ($V_{SEL} < 0V$)	± 50	mA
I_{OK}	DC output diode current	± 20	mA
I_O	DC output current	± 128	mA
I_{OP}	DC output current peak (pulse at 1ms, 10% duty cycle)	± 300	mA
I_{CC} or I_{GND}	DC V_{CC} or ground current	± 100	mA
P_D	Power dissipation at $T_A = 70^\circ C^{(1)}$	1120	mW
T_{stg}	Storage temperature	-65 to 150	$^\circ C$
T_L	Lead temperature (10 sec)	300	$^\circ C$

1. Derate above 70 $^\circ C$ by 18.5 mW/ $^\circ C$

3.1 Recommended operating conditions

Table 5. Recommended operating conditions

Symbol	Parameter	Value	Unit
V_{CC}	Supply voltage	1.65 to 4.3	V
V_I	Input voltage	0 to V_{CC}	V
V_{IC}	Control input voltage	0 to 4.3	V
V_O	Output voltage	0 to V_{CC}	V
T_{op}	Operating temperature	-40 to 85	$^\circ C$
dt/dv	Input rise and fall time control input	$V_{CC} = 1.65$ to 2.7 V	0 to 20
		$V_{CC} = 3.0$ to 4.3 V	0 to 10
			ns/V

4 Electrical characteristics

Table 6. DC specifications

Symbol	Parameter	Test conditions		Value				Unit
		V _{CC} (V)		TA = 25 °C		-40 to 85 °C		
				Typ	Max	Min	Max	
V _{IH}	High level input voltage	1.65 –1.95				0.65 V _{CC}		V
		2.3 –2.5				1.2		
		2.7 –3.0				1.3		
		3.3 –3.6				1.4		
		4.3				1.6		
V _{IL}	Low level input voltage	1.65 –1.95			0.25		0.25	V
		2.3 –2.5			0.25		0.25	
		2.7 –3.0			0.25		0.25	
		3.3 –3.6			0.30		0.30	
		4.3			0.40		0.40	
R _{PEAK}	Switch on peak resistance	1.8	V _S = 0 V to V _{CC} I _S = 8 mA	12.0	16.0			Ω
		2.7		6.3	8.0			
		3.0		5.8	7.5			
		3.7		5.0	6.5			
		4.3		4.6	6.0			
R _{ON}	Switch ON resistance	3.0	V _S = 3 V I _S = 8 mA	4.0	5.2			Ω
		3.0	V _S = 0.8 V I _S = 8 mA	5.0	6.5			
ΔR _{ON}	ON resistance match between channels ⁽¹⁾	1.8	V _S @ R _{ON} Max I _S = 8mA	0.3				Ω
		2.7		0.3				
		3.0		0.3				
		3.7		0.3				
		4.3		0.3				
R _{FLAT}	ON resistance flatness ⁽²⁾	1.8	V _S = 0V to V _{CC} I _S = 8mA	5.9				Ω
		2.7		1.9				
		3.0		1.6				
		3.7		1.4				
		4.3		1.6				

Table 6. DC specifications

Symbol	Parameter	Test conditions		Value				Unit
		V _{CC} (V)		TA = 25 °C		-40 to 85 °C		
				Typ	Max	Min	Max	
I _{OFF}	OFF state leakage current (SN), (D)	4.3	V _S = 0.3 or 4 V		±20		±100	nA
I _{IN}	Input leakage current	0 to 4.3	V _{SEL} = 0 to 4.3 V		±0.1		±1	μA
I _{CC}	Quiescent supply current	1.65 to 4.3	V _{SEL} = V _{CC} or GND		±0.1		±1.0	μA
I _{CCLV}	Quiescent supply current low voltage driving	4.3	V _{1SEL} , V _{2SEL} = 1.65 V	±37	±50		±100	μA
			V _{1SEL} , V _{2SEL} = 1.80 V	±33	±40		±50	
			V _{1SEL} , V _{2SEL} = 2.60 V	±12	±20		±30	
			V _{1SEL} , V _{2SEL} = 0 V _{OE} = 1.65 V	±19	±25		±50	
			V _{1SEL} , V _{2SEL} = 0 V _{OE} = 1.80 V	±17	±20		±25	
			V _{1SEL} , V _{2SEL} = 0 V _{OE} = 2.60 V	±6	±10		±15	

1. $\Delta R_{on} = R_{on(max)} - R_{on(Min)}$
2. Flatness is defined as the difference between the maximum and minimum value of on-resistance as measured over the specified analog signal ranges.

Table 7. AC electrical characteristics ($C_L = 35 \text{ pF}$, $R_L = 50 \text{ } \Omega$, $t_r = t_f \leq 5 \text{ ns}$)

Symbol	Parameter	Test conditions		Value					Unit
		Vcc (V)		$T_A = 25 \text{ } ^\circ\text{C}$			$-40 \text{ to } 85 \text{ } ^\circ\text{C}$		
				Min	Typ	Max	Min	Max	
t_{PLH}, t_{PHL}	Propagation delay	1.65 – 1.95			0.30				ns
		2.3 – 2.7			0.30				
		3.0 – 3.3			0.27				
		3.6 – 4.3			0.28				
t_{ON}	Turn-ON time	1.65 – 1.95	$V_S = 0.8 \text{ V}$		37				ns
		2.3 – 2.7			20	30		34	
		3.0 – 3.3	$V_S = 1.5 \text{ V}$		15	25		26	
		3.6 – 4.3			12	18		20	
t_{OFF}	Turn-OFF time	1.65 – 1.95	$V_S = 0.8$		23				ns
		2.3 – 2.7			17	23		17	
		3.0 – 3.3	$V_S = 1.5 \text{ V}$		12	18		12	
		3.6 – 4.3			10	15		10	
t_D	Break before make time delay	1.65 – 1.95		1	24				ns
		2.3 – 2.7	$C_L = 35 \text{ pF}$ $R_L = 50 \text{ } \Omega$ $V_S = 1.5 \text{ V}$	1	15				
		3.0 – 3.3		1	11				
		3.6 – 4.3		1	9				
Q	Charge injection	1.65			10				pC
		2.3	$C_L = 100 \text{ pF}$ $V_{GEN} = 0 \text{ V}$ $R_{GEN} = 0 \text{ } \Omega$		11				
		3.0			11				
		4.3			11				

Table 8. Analog switch characteristics ($C_L = 5\text{pF}$, $R_L = 50\Omega$, $T_A = 25^\circ\text{C}$)

Symbol	Parameter	Test conditions		Value					Unit
		V _{CC} (V)		T _A = 25 °C			-40 to 85 °C		
				Min	Typ	Max	Min	Max	
OIRR	OFF Isolation ⁽¹⁾	1.65 — 4.3	V _S = 1V _{RMS} , f = 1 MHz Signal = 0 dBm		-75				dB
			V _S = 1V _{RMS} , f = 10 MHz Signal = 0 dBm		-58				
Xtalk	Crosstalk	1.65 — 4.3	V _S = 1V _{RMS} , f = 1 MHz Signal = 0 dBm		-77				dB
			V _S = 1V _{RMS} , f = 10 MHz Signal = 0 dBm		-60				
THD	Total harmonic distortion	3.7	f = 20 Hz to 20 kHz R _L = 32 Ω, C _L = 50 Ω V _{IN} = 2.8 V _{P-P} V _{DC} = V _{CC} /2		0.01	0.02			%
PSRR	Power supply rejection ratio	3.7	f = 217 Hz, R _L = 32 Ω, C _L = 50 Ω V _{ripple} = 150 mV V _{DC} = V _{CC} /2		-60				dB
BW	-3dB bandwidth	3.0 — 4.3	R _L = 50 Ω Bias = 1 V		300				MHz
D _G	Differential gain	3.0 — 4.3	R _L = 150 Ω		0.64				%
D _P	Differential phase	3.0 — 4.3	R _L = 150 Ω		0.1				deg
C _{IN}	Control pin input capacitance		V _{CC} = 0 V		1.5				pF
C _{ON}	Sn port capacitance when switch is enabled	3.3	f = 1 MHz		6.7				
C _{OFF}	Sn port capacitance when switch is disabled	3.3	f = 1 MHz		2.8				

1. Off Isolation = $20\text{Log}_{10}(V_D/V_S)$, V_D = output. V_S = input to off switch.

5 Package mechanical data

In order to meet environmental requirements, ST offers these devices in ECOPACK[®] packages. These packages have a Lead-free second level interconnect. The category of second level interconnect is marked on the package and on the inner box label, in compliance with JEDEC Standard JESD97. The maximum ratings related to soldering conditions are also marked on the inner box label. ECOPACK is an ST trademark. ECOPACK specifications are available at: www.st.com.

Figure 3. QFN16L (2.6 x 1.8 mm) package outline

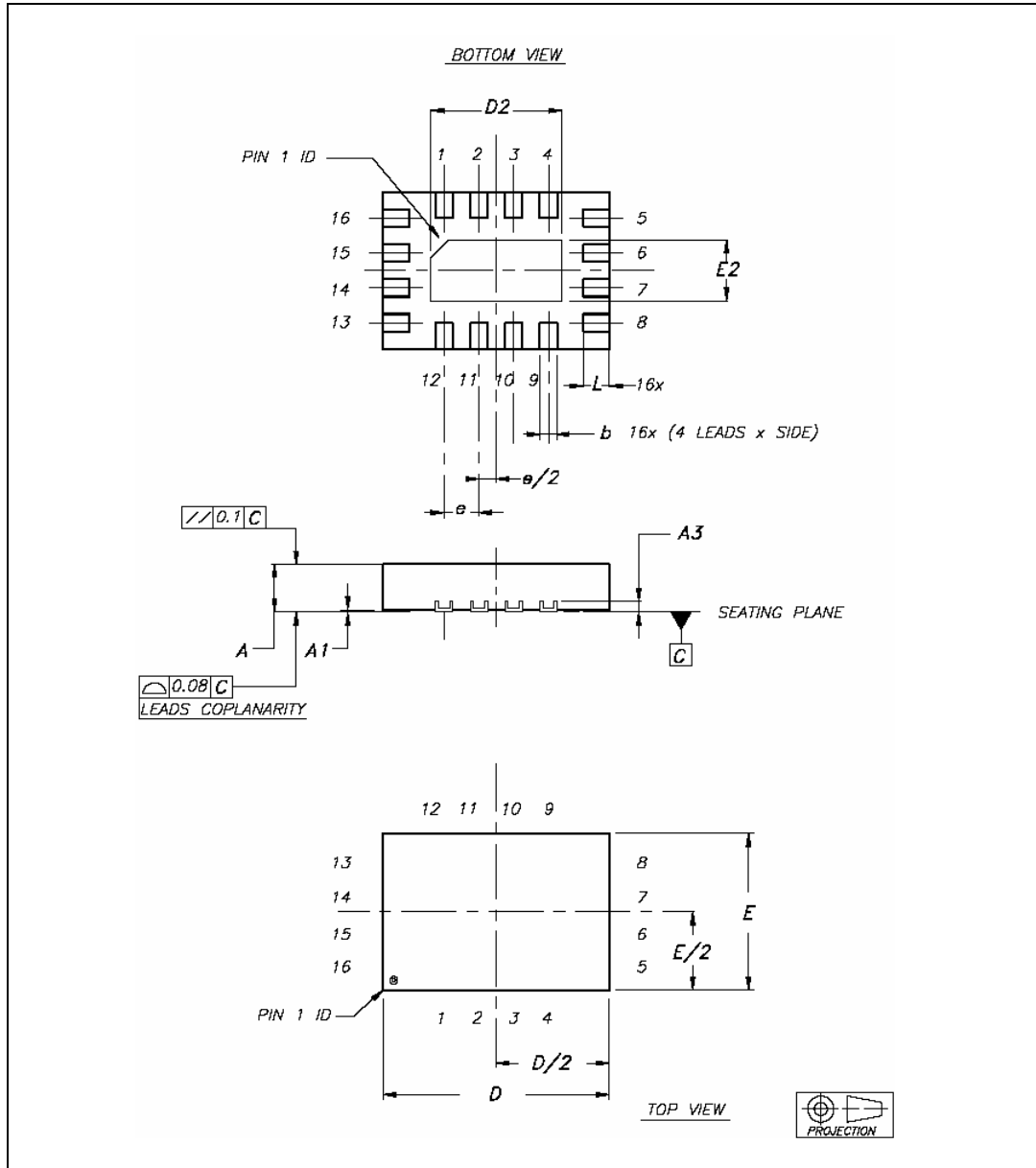
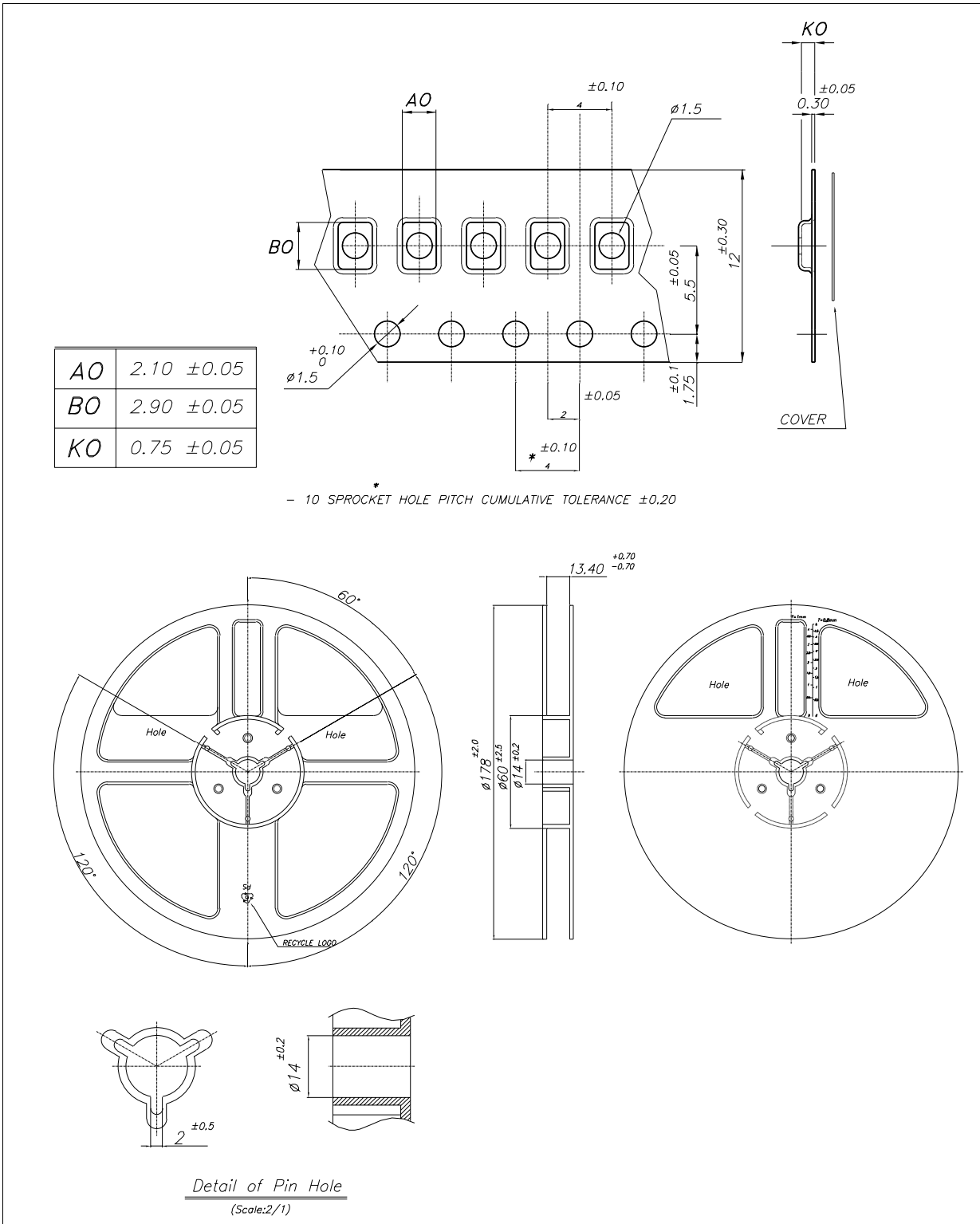


Table 9. QFN16L (2.6 x 1.8 mm) mechanical data

Symbol	Millimeters		
	Typ	Min	Max
A	0.50	0.45	0.55
A1	0.02	0	0.05
A3	0.127		
b	0.20	0.15	0.25
D	2.60	2.50	2.70
D2	1.50	1.40	1.60
E	1.80	1.70	1.90
E2	0.70	0.60	0.80
e	0.40		
L	0.30	0.25	0.35

1. VFQFPN - standard for thermally enhanced very fine pitch quad flat package no leads.
2. The leads size is comprehensive of the thickness of the leads finishing material.
3. Dimensions do not include mold protrusion.
4. Package outline exclusive of metal burrs dimensions.
5. Shipping media tape and reel units: 3000

Figure 4. QFN16L (2.6 x 1.8 mm) tape and reel



6 Revision history

Table 10. Document revision history

Date	Revision	Changes
21-Nov-2006	1	Initial release.
20-Nov-2007	2	Updated latch-up performance value in <i>Features section n on page 1</i> , minor text changes, updated <i>Figure 1 on page 3</i> , <i>Table 2 on page 3</i> , <i>Table 5 on page 5</i> , <i>Table 6 on page 6</i> , <i>Table 7 on page 8</i>

Please Read Carefully:

Information in this document is provided solely in connection with ST products. STMicroelectronics NV and its subsidiaries ("ST") reserve the right to make changes, corrections, modifications or improvements, to this document, and the products and services described herein at any time, without notice.

All ST products are sold pursuant to ST's terms and conditions of sale.

Purchasers are solely responsible for the choice, selection and use of the ST products and services described herein, and ST assumes no liability whatsoever relating to the choice, selection or use of the ST products and services described herein.

No license, express or implied, by estoppel or otherwise, to any intellectual property rights is granted under this document. If any part of this document refers to any third party products or services it shall not be deemed a license grant by ST for the use of such third party products or services, or any intellectual property contained therein or considered as a warranty covering the use in any manner whatsoever of such third party products or services or any intellectual property contained therein.

UNLESS OTHERWISE SET FORTH IN ST'S TERMS AND CONDITIONS OF SALE ST DISCLAIMS ANY EXPRESS OR IMPLIED WARRANTY WITH RESPECT TO THE USE AND/OR SALE OF ST PRODUCTS INCLUDING WITHOUT LIMITATION IMPLIED WARRANTIES OF MERCHANTABILITY, FITNESS FOR A PARTICULAR PURPOSE (AND THEIR EQUIVALENTS UNDER THE LAWS OF ANY JURISDICTION), OR INFRINGEMENT OF ANY PATENT, COPYRIGHT OR OTHER INTELLECTUAL PROPERTY RIGHT.

UNLESS EXPRESSLY APPROVED IN WRITING BY AN AUTHORIZED ST REPRESENTATIVE, ST PRODUCTS ARE NOT RECOMMENDED, AUTHORIZED OR WARRANTED FOR USE IN MILITARY, AIR CRAFT, SPACE, LIFE SAVING, OR LIFE SUSTAINING APPLICATIONS, NOR IN PRODUCTS OR SYSTEMS WHERE FAILURE OR MALFUNCTION MAY RESULT IN PERSONAL INJURY, DEATH, OR SEVERE PROPERTY OR ENVIRONMENTAL DAMAGE. ST PRODUCTS WHICH ARE NOT SPECIFIED AS "AUTOMOTIVE GRADE" MAY ONLY BE USED IN AUTOMOTIVE APPLICATIONS AT USER'S OWN RISK.

Resale of ST products with provisions different from the statements and/or technical features set forth in this document shall immediately void any warranty granted by ST for the ST product or service described herein and shall not create or extend in any manner whatsoever, any liability of ST.

ST and the ST logo are trademarks or registered trademarks of ST in various countries.

Information in this document supersedes and replaces all information previously supplied.

The ST logo is a registered trademark of STMicroelectronics. All other names are the property of their respective owners.

© 2007 STMicroelectronics - All rights reserved

STMicroelectronics group of companies

Australia - Belgium - Brazil - Canada - China - Czech Republic - Finland - France - Germany - Hong Kong - India - Israel - Italy - Japan - Malaysia - Malta - Morocco - Singapore - Spain - Sweden - Switzerland - United Kingdom - United States of America

www.st.com