



STGP3NB60HD STGP3NB60HDFP

N-CHANNEL 3A - 600V TO-220/FP PowerMESH™ IGBT

TYPE	V _{CES}	V _{CE(sat)}	I _C
STGP3NB60HD	600 V	< 2.8 V	3 A
STGP3NB60HDFP	600 V	< 2.8 V	3 A

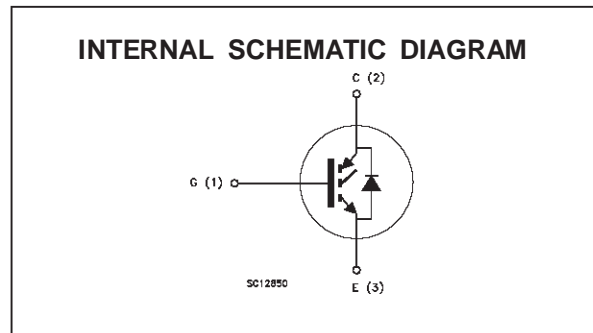
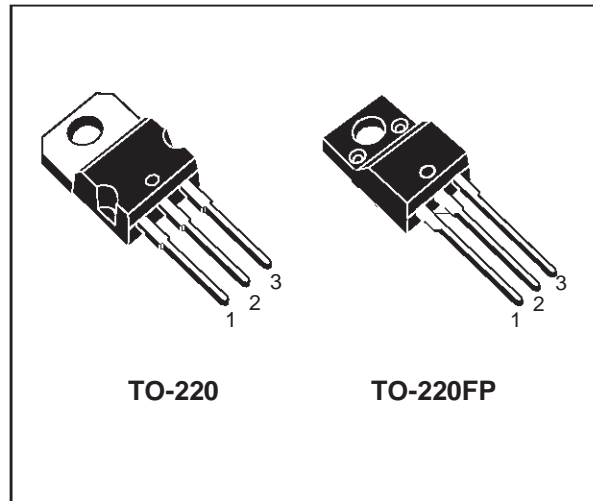
- HIGH INPUT IMPEDANCE (VOLTAGE DRIVEN)
- LOW ON-VOLTAGE DROP (V_{cesat})
- LOW GATE CHARGE
- HIGH CURRENT CAPABILITY
- VERY HIGH FREQUENCY OPERATION
- OFF LOSSES INCLUDE TAIL CURRENT
- CO-PACKAGED WITH TURBOSWITCH™ ANTIPARALLEL DIODE

DESCRIPTION

Using the latest high voltage technology based on a patented strip layout, STMicroelectronics has designed an advanced family of IGBTs, the PowerMESH™ IGBTs, with outstanding performances. The suffix "H" identifies a family optimized to achieve very low switching times for high frequency applications (<120kHz).

APPLICATIONS

- HIGH FREQUENCY MOTOR CONTROLS
- SMPS AND PFC IN BOTH HARD SWITCH AND RESONANT TOPOLOGIES



ABSOLUTE MAXIMUM RATINGS

Symbol	Parameter	Value		Unit
		STGP7NB60HD	STGP7NB60HDFP	
V _{CES}	Collector-Emitter Voltage (V _{GS} = 0)	600	600	V
V _{GE}	Gate-Emitter Voltage	± 20	± 20	V
I _C	Collector Current (continuous) at T _c = 25 °C	6	6	A
I _C	Collector Current (continuous) at T _c = 100 °C	3	3	A
I _{CM} (•)	Collector Current (pulsed)	24	24	A
P _{tot}	Total Dissipation at T _c = 25 °C	70	35	W
	Derating Factor	0.56	0.28	W/°C
T _{stg}	Storage Temperature	-65 to 150		°C
T _j	Max. Operating Junction Temperature	150		°C

(•) Pulse width limited by max. junction temperature

STGP3NB60HD/FP

THERMAL DATA

			TO-220	TO-220FP	
$R_{thj-case}$	Thermal Resistance Junction-case	Max	1.78	3.57	°C/W
$R_{thj-amb}$	Thermal Resistance Junction-ambient	Max	62.5		°C/W
$R_{thc-sink}$	Thermal Resistance Case-sink	Typ	0.5		°C/W

ELECTRICAL CHARACTERISTICS ($T_j = 25\text{ °C}$ unless otherwise specified)

OFF

Symbol	Parameter	Test Conditions	Min.	Typ.	Max.	Unit
$V_{BR(CEs)}$	Collector-Emitter Breakdown Voltage	$I_C = 250\ \mu\text{A}$ $V_{GE} = 0$	600			V
I_{CES}	Collector cut-off ($V_{GE} = 0$)	$V_{CE} = \text{Max Rating}$ $T_j = 25\text{ °C}$ $V_{CE} = \text{Max Rating}$ $T_j = 125\text{ °C}$			100 1000	μA μA
I_{GES}	Gate-Emitter Leakage Current ($V_{CE} = 0$)	$V_{GE} = \pm 20\text{ V}$ $V_{CE} = 0$			± 100	nA

ON (*)

Symbol	Parameter	Test Conditions	Min.	Typ.	Max.	Unit
$V_{GE(th)}$	Gate Threshold Voltage	$V_{CE} = V_{GE}$ $I_C = 250\ \mu\text{A}$	3		5	V
$V_{CE(SAT)}$	Collector-Emitter Saturation Voltage	$V_{GE} = 15\text{ V}$ $I_C = 3\text{ A}$ $V_{GE} = 15\text{ V}$ $I_C = 3\text{ A}$ $T_j = 125\text{ °C}$		2.4 1.9	2.8	V V

DYNAMIC

Symbol	Parameter	Test Conditions	Min.	Typ.	Max.	Unit
g_{fs}	Forward Transconductance	$V_{CE} = 25\text{ V}$ $I_C = 3\text{ A}$	1.3	2.4		S
C_{ies} C_{oes} C_{res}	Input Capacitance Output Capacitance Reverse Transfer Capacitance	$V_{CE} = 25\text{ V}$ $f = 1\text{ MHz}$ $V_{GE} = 0$	160 23 4.5	235 33 6.6	300 43 8.6	pF pF pF
Q_G Q_{GE} Q_{GC}	Total Gate Charge Gate-Emitter Charge Gate-Collector Charge	$V_{CE} = 480\text{ V}$ $I_C = 3\text{ A}$ $V_{GE} = 15\text{ V}$		21 6 7.6	27	nC nC nC
I_{CL}	Latching Current	$V_{clamp} = 480\text{ V}$ $R_G = 10\ \Omega$ $T_j = 150\text{ °C}$	12			A

SWITCHING ON

Symbol	Parameter	Test Conditions	Min.	Typ.	Max.	Unit
$t_{d(on)}$ t_r	Delay Time Rise Time	$V_{CC} = 480\text{ V}$ $I_C = 3\text{ A}$ $V_{GE} = 15\text{ V}$ $R_G = 10\ \Omega$		16 30		ns ns
$(di/dt)_{on}$	Turn-on Current Slope	$V_{CC} = 480\text{ V}$ $I_C = 3\text{ A}$ $R_G = 10\ \Omega$ $V_{GE} = 15\text{ V}$		400		A/ μs
$E_{on(\Delta)}$	Turn-on Switching Losses	$T_j = 125\text{ °C}$		77		μJ

ELECTRICAL CHARACTERISTICS (continued)

SWITCHING OFF

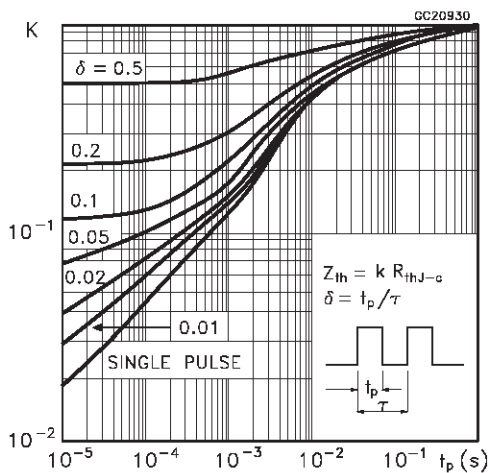
Symbol	Parameter	Test Conditions	Min.	Typ.	Max.	Unit
t_c	Cross-Over Time	$V_{CC} = 480\text{ V}$ $R_{GE} = 10\ \Omega$ $I_C = 3\text{ A}$ $V_{GE} = 15\text{ V}$		90		ns
$t_r(V_{off})$	Off Voltage Rise Time			36		ns
$t_{d(off)}$	Delay Time			53		ns
t_f	Fall Time			70		ns
$E_{off(**)}$	Turn-off Switching Loss			33		μJ
$E_{ts(\circ)}$	Total Switching Loss			100		μJ
t_c	Cross-Over Time	$V_{CC} = 480\text{ V}$ $R_{GE} = 10\ \Omega$ $T_j = 125\text{ }^\circ\text{C}$ $I_C = 3\text{ A}$ $V_{GE} = 15\text{ V}$		180		ns
$t_r(V_{off})$	Off Voltage Rise Time			82		ns
$t_{d(off)}$	Delay Time			58		ns
t_f	Fall Time			110		ns
$E_{off(**)}$	Turn-off Switching Loss			88		μJ
$E_{ts(\circ)}$	Total Switching Loss			165		μJ

COLLECTOR-EMITTER DIODE

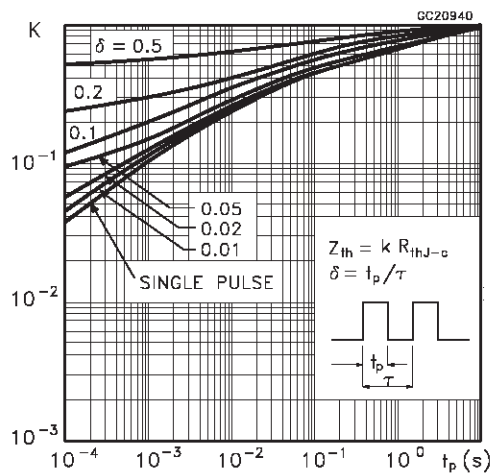
Symbol	Parameter	Test Conditions	Min.	Typ.	Max.	Unit
I_f	Forward Current				3	A
I_{fm}	Forward Current pulsed				24	A
V_f	Forward On-Voltage	$I_f = 3\text{ A}$ $I_f = 3\text{ A}$ $T_j = 125\text{ }^\circ\text{C}$		1.6 1.4	2.0	V V
t_{rr}	Reverse Recovery Time	$I_f = 3\text{ A}$ $dI/dt = 100\text{ A}/\mu\text{S}$ $V_R = 200\text{ V}$ $T_j = 125\text{ }^\circ\text{C}$		87		ns
Q_{rr}	Reverse Recovery Charge			160		nC
I_{rrm}	Reverse Recovery Current			3.7		A

- (●) Pulse width limited by max. junction temperature
- (○) Include recovery losses on the STTA306 freewheeling diode
- (*) Pulsed: Pulse duration = 300 μs , duty cycle 1.5 %
- (**) Losses Include Also The Tail (Jedec Standardization)

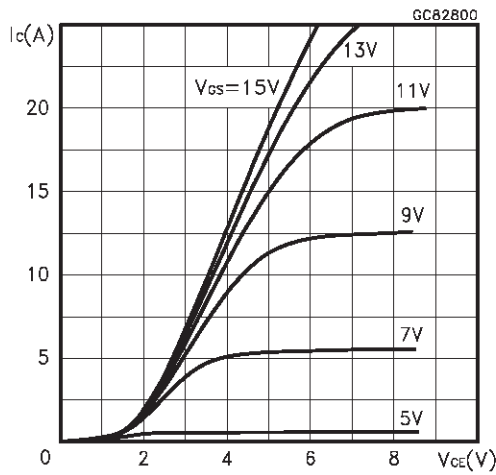
Thermal Impedance For TO-220



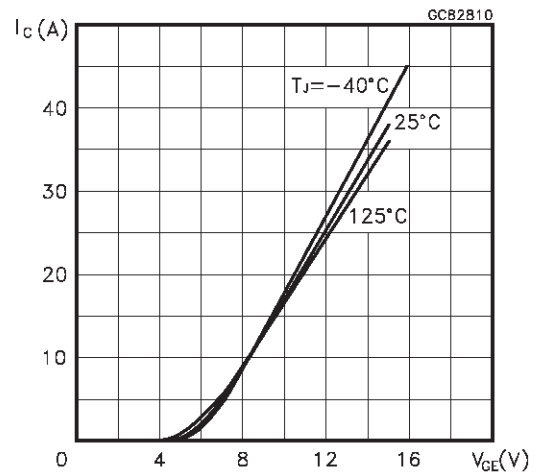
Thermal Impedance For TO-220FP



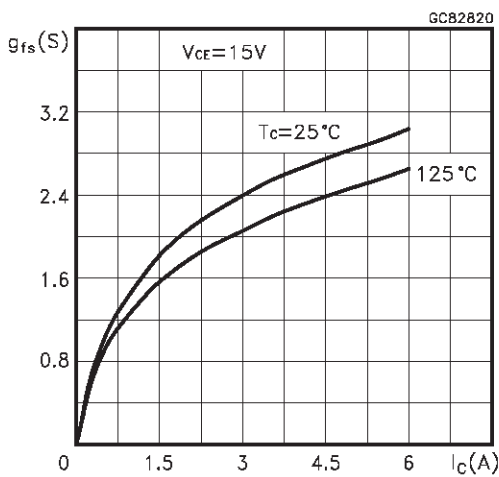
Output Characteristics



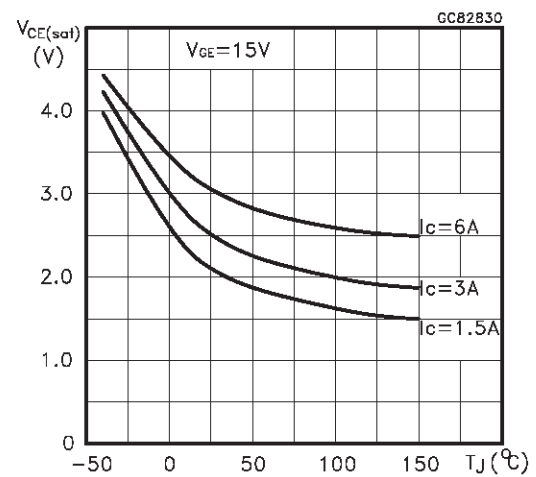
Transfer Characteristics



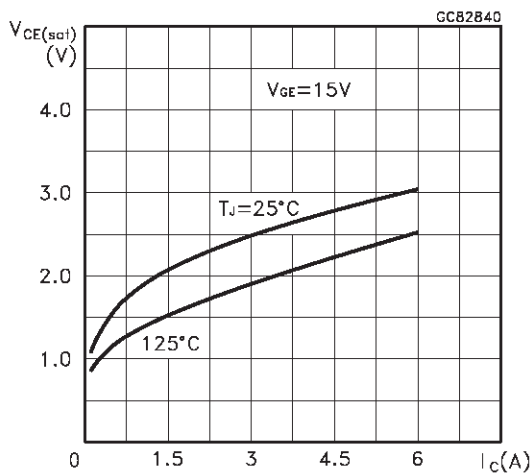
Transconductance



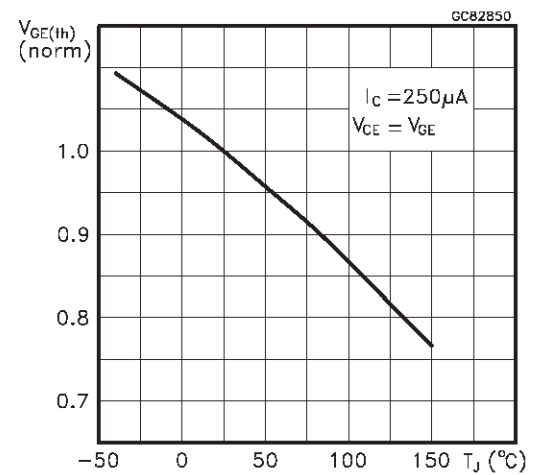
Collector-Emitter On Voltage vs Temperature



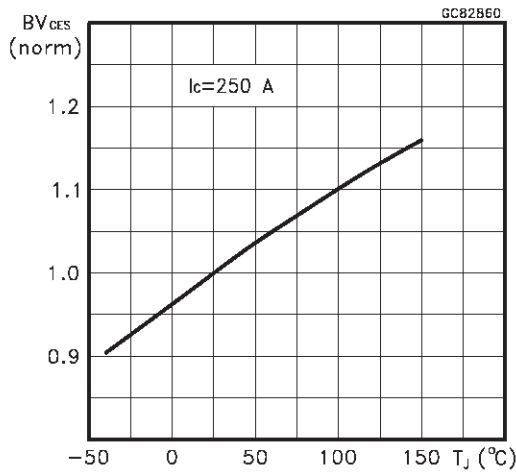
Collector-Emitter On Voltage vs Collector Current



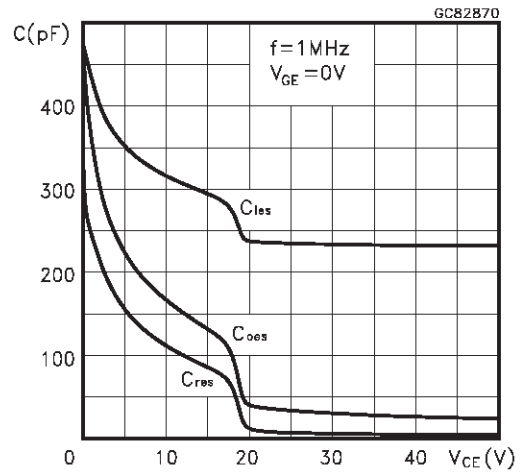
Gate Threshold vs Temperature



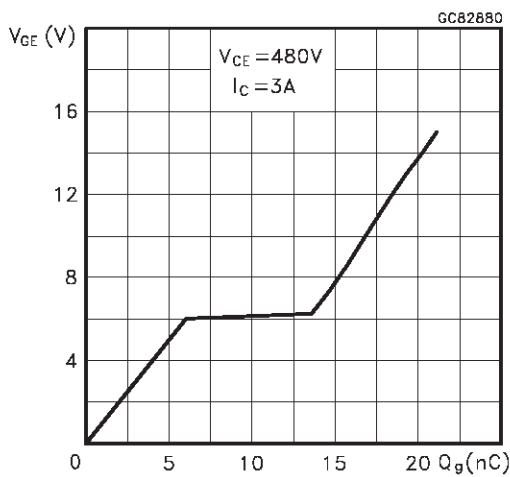
Normalized Breakdown Voltage vs Temperature



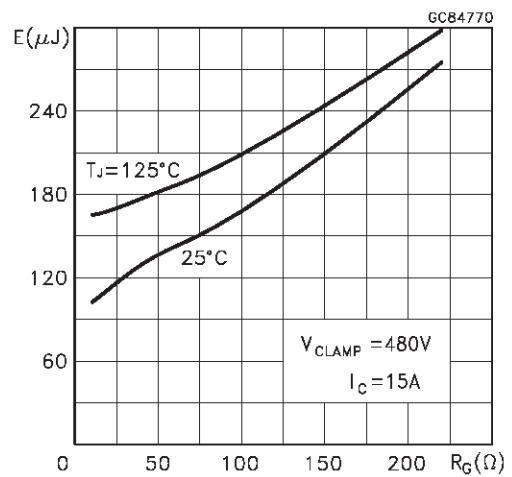
Capacitance Variations



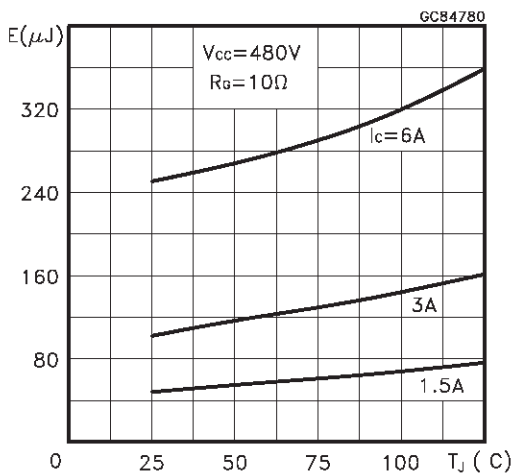
Gate Charge vs Gate-Emitter Voltage



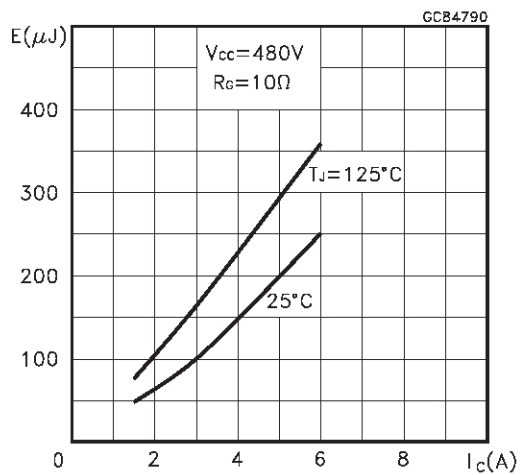
Total Switching Losses vs Gate Resistance



Total Switching Losses vs Temperature



Total Switching Losses vs Collector Current



Switching Off Safe Operating Area

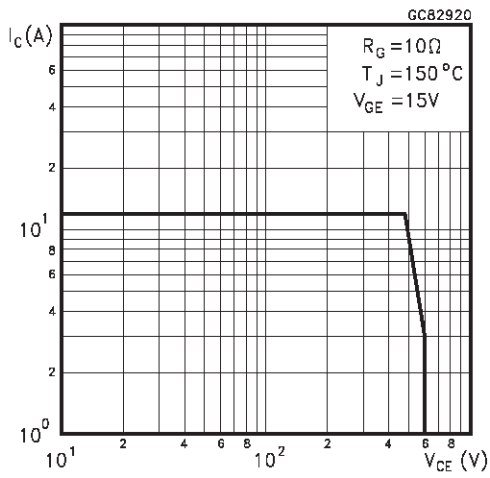


Fig. 1: Gate Charge test Circuit

Diode Forward Voltage

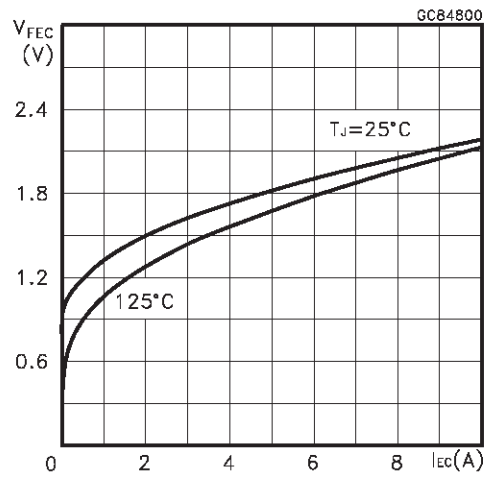


Fig. 2: Test Circuit For Inductive Load Switching

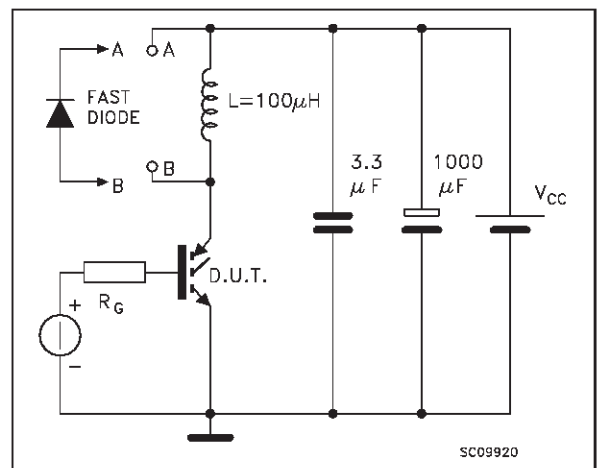
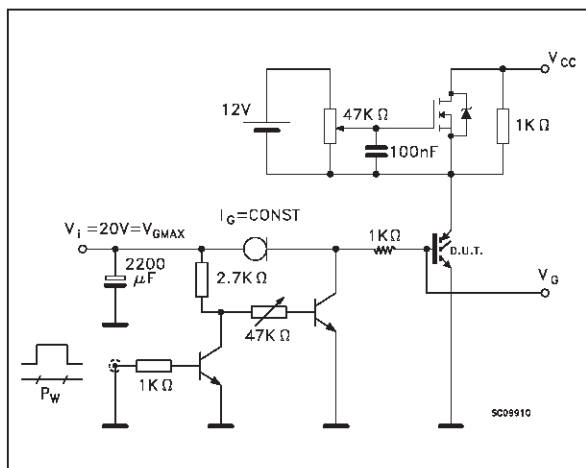
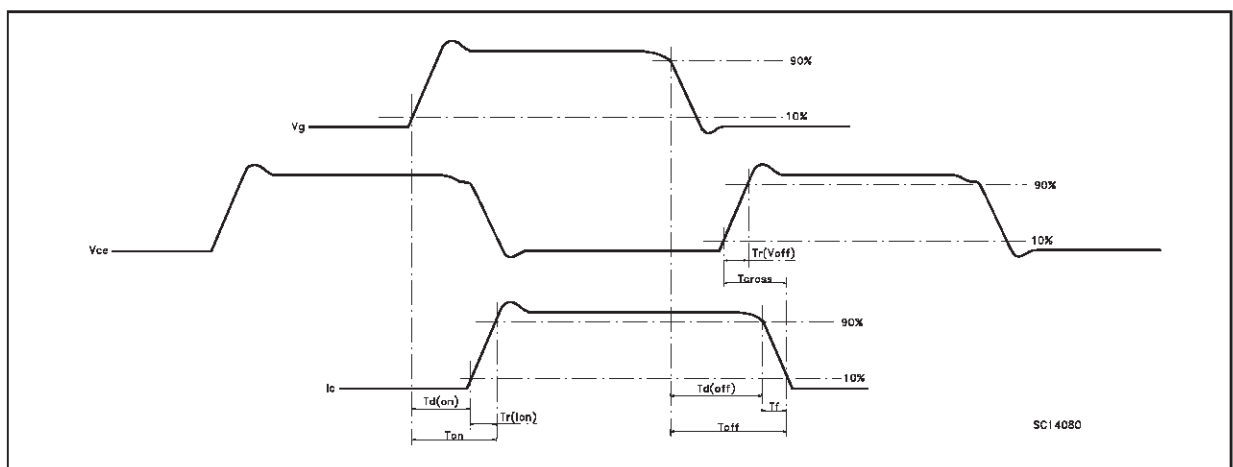
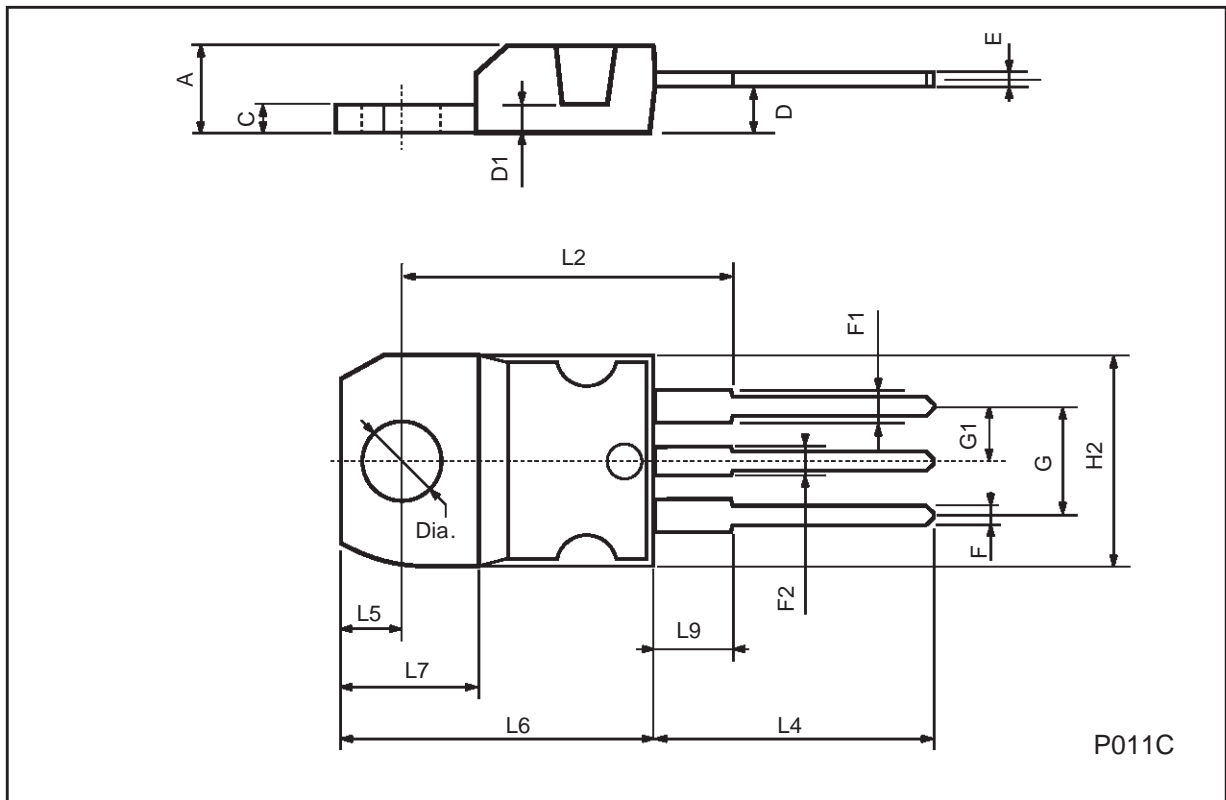


Fig. 3: Switching Waveforms



TO-220 MECHANICAL DATA

DIM.	mm			inch		
	MIN.	TYP.	MAX.	MIN.	TYP.	MAX.
A	4.40		4.60	0.173		0.181
C	1.23		1.32	0.048		0.051
D	2.40		2.72	0.094		0.107
D1		1.27			0.050	
E	0.49		0.70	0.019		0.027
F	0.61		0.88	0.024		0.034
F1	1.14		1.70	0.044		0.067
F2	1.14		1.70	0.044		0.067
G	4.95		5.15	0.194		0.203
G1	2.4		2.7	0.094		0.106
H2	10.0		10.40	0.393		0.409
L2		16.4			0.645	
L4	13.0		14.0	0.511		0.551
L5	2.65		2.95	0.104		0.116
L6	15.25		15.75	0.600		0.620
L7	6.2		6.6	0.244		0.260
L9	3.5		3.93	0.137		0.154
DIA.	3.75		3.85	0.147		0.151



TO-220FP MECHANICAL DATA

DIM.	mm			inch		
	MIN.	TYP.	MAX.	MIN.	TYP.	MAX.
A	4.4		4.6	0.173		0.181
B	2.5		2.7	0.098		0.106
D	2.5		2.75	0.098		0.108
E	0.45		0.7	0.017		0.027
F	0.75		1	0.030		0.039
F1	1.15		1.7	0.045		0.067
F2	1.15		1.7	0.045		0.067
G	4.95		5.2	0.195		0.204
G1	2.4		2.7	0.094		0.106
H	10		10.4	0.393		0.409
L2		16			0.630	
L3	28.6		30.6	1.126		1.204
L4	9.8		10.6	0.385		0.417
L6	15.9		16.4	0.626		0.645
L7	9		9.3	0.354		0.366
Ø	3		3.2	0.118		0.126



Information furnished is believed to be accurate and reliable. However, STMicroelectronics assumes no responsibility for the consequences of use of such information nor for any infringement of patents or other rights of third parties which may result from its use. No license is granted by implication or otherwise under any patent or patent rights of STMicroelectronics. Specification mentioned in this publication are subject to change without notice. This publication supersedes and replaces all information previously supplied. STMicroelectronics products are not authorized for use as critical components in life support devices or systems without express written approval of STMicroelectronics.

The ST logo is a trademark of STMicroelectronics

© 1999 STMicroelectronics – Printed in Italy – All Rights Reserved
STMicroelectronics GROUP OF COMPANIES

Australia - Brazil - China - Finland - France - Germany - Hong Kong - India - Italy - Japan - Malaysia - Malta - Morocco -
Singapore - Spain - Sweden - Switzerland - United Kingdom - U.S.A.

<http://www.st.com>

