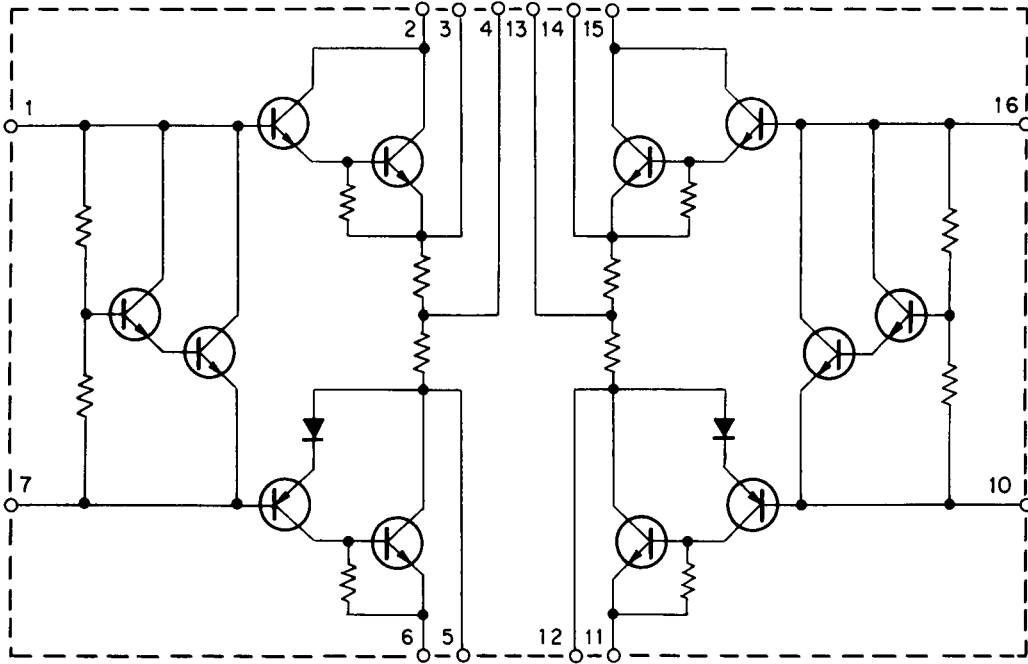


| | | | |
|--------------------|--|-------------|-------------------------|
| APPLICATION | 2-CHANNEL 20W MIN. AF POWER AMPLIFIER OUTPUT STAGE (D. P. P.) | NAME | STK-2125ST |
| MODEL | SX-400 | TYPE | HYBRID LINEAR IC |

EQUIVALENT CIRCUIT



PIN FUNCTION

| Pin No. | Function |
|---------|-----------------------|
| 1 | Input (+) |
| 2 | Positive power supply |
| 3 | NPN emitter |
| 4 | Output |
| 5 | PNP emitter |
| 6 | Negative power supply |
| 7 | Input (-) |
| 8 | NC |
| 9 | |

| Pin No. | Function |
|---------|-----------------------|
| 10 | Input (-) |
| 11 | Negative power supply |
| 12 | PNP emitter |
| 13 | Output |
| 14 | NPN emitter |
| 15 | Positive power supply |
| 16 | Input (+) |