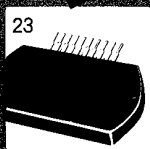


NEW*

23



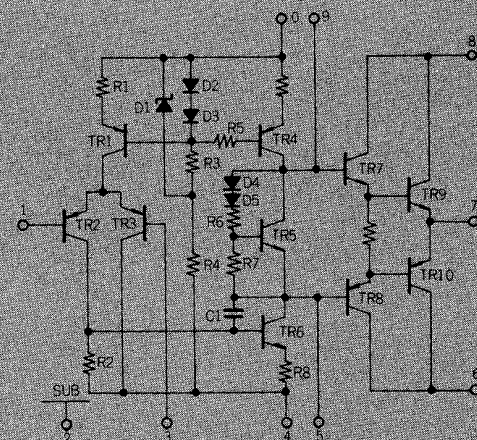
thick film IC

**STK-055, 057,
058, 060, 062**
15 to 35 W min AF
POWER AMP

Features

- ©IMST, 1 Channel by 2 Power Supplies
- AF output power STK-055: 15W min., STK-057: 20W min., STK-058: 24W min., STK-060: 30W min., STK-062: 35W min.
- Direct driven, pure complementary P-P output
- Constant current driven differential amp.
- Capable of tone controlling

EQUIVALENT CIRCUIT



ABSOLUTE MAXIMUM RATINGS / Ta=25°C

	STK-055	STK-057	STK-058	STK-060	STK-062	
Maximum Supply Voltage V _{cc} max	±28	±32	±35	±39	±43	V
Operating Case Temperature T _C	→	→	→	→	85	°C
Storage Temperature T _{stg}	→	→	→	→	-30 to +100	°C
Allowable Load Shorting Time (in appointed condition)	→	→	→	→	2	sec

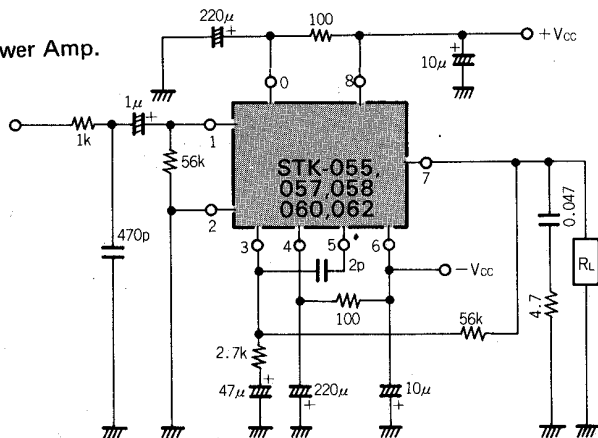
RECOMMENDED OPERATION CONDITION / Ta=25°C

	STK-055	STK-057	STK-058	STK-060	STK-062	
Supply Voltage V _{cc}	±20	±22	±25	±27	±30	V
Load Resistance R _L	→	→	→	→	8	Ω

OPERATION CHARACTERISTICS / Ta=25°C, recommended operating condition, R_g=600Ω, V_G=26.4dB

	STK-055	STK-057	STK-058	STK-060	STK-062	unit
Quiescent current I _{cco} recommended V _{cc}	→	→	→	→	100	mA max
Output Power P _o (1) THD=0.3%, f=20 to 20kHz	15	20	—	—	—	Wmin
	—	—	24	30	35	Wmin
Distortion THD f=20 to 20kHz, rated output power	0.3	0.3	0.2	0.2	0.2	%max
Input Resistance r _i P _o =1W, f=1kHz	→	→	→	→	52k	Ω
Frequency Response f P _o =1W, ±9dB	→	→	→	→	10 to 100k	Hz

APPLICATION: AF Power Amp.



See operation characteristics on this specification.